



Inside This Issue

Meeting Minutes.....1-5

Upcoming Events.....5-7

New Releases.....8

Members Build Blogs.....9

Club "Contest"N/A

New Techniques.....N/A

Interesting Articles.....10-14

USA AFV Register.....14

Support Our Vendors.....14-15

Classified Ads.....15-16

The Day Room (Editor).....16-17

Welcome to the latest issue of our newsletter. We try REALLY hard to publish this each month, but sometimes stuff happens, or you know, CRS flair ups occur. Of course, what's published in this newsletter is probably out of date, known by everyone already, or completely off-topic. Maybe everyone will like the pretty colors, but then your ink cartridge will probably run out after only printing a couple pages. This paragraph is what's known as "filler text", which we needed since we added the snazzy table of contents and this area was kind of empty.

Take a look in the "Classified Ad" section, where club members advertise items for barter, swap, sale or trade. Or even a request for research material. Check it out. Contact the seller directly. Note personal email addresses are not listed on the public site. Contact the seller directly via his/her email addresses.

Check out our website for more info & photos:
<http://www.ampscentralsouthcarolina.org/>



Visit us on Facebook at:
<https://www.facebook.com/ampscentralsouthcarolina>

Regular Meeting Minutes, 12 April, 2017

Our last meeting was held on Wednesday, April 12, 2017 from 6-8 pm at the HobbyTown store in the Publix Shipping Center (North Pointe Shopping Center), Two Notch Road, Columbia (NE). We had 30 members in attendance including two new members, James and Kaylie Smith. The modelers brought 15 models for Show & Tell, plus Dave Neumann sent in pictures of his latest build. For the Raffle, we had a triple set of Braille Scale kits this month; an ESCI 1/72 scale "M60A2 Starship", an ESCI 1/72 scale "Nebelwerfer 41 Battery" (w/ crew), and a Hasegawa 1/72 scale "Infantry Tank Churchill Mk. I", all won by Tony Abbott. Might have to check in on this, since

Rebecca Hettmansperger won last month. Could the raffle be rigged? Please see our website for photos of the models that were brought in for Show & Tell and the meeting raffle prize and winner.

1. Sd.Kfz. 251/22 Ausf. D (DML), 1/35 – Tom Wingate
2. T-34/85 (DML + Aubis Creations Resin Turret, Self-cast resin details, bent wire, RB Model barrel), 1/35 – Steve Reid [**T-34 Group Build**]
3. M4A3E8 Sherman “FURY” (Asuka, Tamiya US Tank Crew Set), 1/35 – Michael Child
4. T-34/85 Rail Tractor (DML + scratch-made Resin & Plastic Strip/Angle), 1/35 – Steve Reid
5. Sd.Kfz. 251/22 Ausf. D (DML), 1/35 – Tom Wingate
6. T-34/85 (Tamiya hull + CMK resin Turret & Chesapeake Model Designs resin Wheels, scratch made Handles), 1/35 – Dave Cicimurri
7. US M48A3 Patton Tank (Tamiya), 1/35 – Morgan Cicimurri
8. M26A3 Heavy Tank (DML), 1/35 – Ben Brandes
9. M4A4 Sherman Crab Mk. I (DML + Resicast), 1/35 – Ben Brandes
10. Tiger I (Cobi Small Army), ? – Noah Brandes
11. Sherman Firefly (Cobi Small Army), ? – Noah Brandes
12. M51 Israeli “Super Sherman” Tank (Tamiya + AFV Club Tracks, Legend Stowage, Mr. ModelBlau Barrel), 1/35 - Rebecca Hettmansperger
13. TYPE89 Japanese Medium Tank “KOU”, Gasoline Late-Production (IBG + OKB Gregorov resin Tracks), 1/72 – Bob Kerfonta
14. M40 155mm SP Howitzer “Two-fer” (Tamiya & AFV Club), 1/35 – Carl Wethington
15. M5 High Speed Tractor (Commander Models Resin kit), 1/35 – Carl Wethington
16. M1078 LMTV (Armored Cab)(Trumpeter + Voyager Armor Upgrade, ET Model Weighted Road Wheels, Minor Workable Leaf Springs), 1/35 – Daniel Karnes
17. IDF Magach 3 Main Battle Tank (DML 50th The Anniversary Six-Day War), 1/35 - Daniel Karnes
18. Bubba the Dwarf Warrior (Jimmy Flintstone), 90mm – Tom McCoy
19. “T-44 Medium Tank, Belarusian Military District, ca. 1950s” (Miniart + Yosci resin Soviet Female Tanker figure), 1/35 – Mike Roof
20. “The Cuppa Before the Storm”, Loyd Carrier with OQF 6pdr AT Gun, Villers-Bocage along National Route 175, 9:00 am, 13 June, 1944 (Bronco & Riich), 1/35 – Mike Roof

Photo Album on our webpage: <http://www.ampscentralsouthcarolina.org/meeting-photos.html>

Business items:

1) Treasurer's report: Current bank balance is approximately \$3,565.75. Cash on-hand is approximately \$230. Major expense for March was \$1,000 venue rental, paid on March 27th.

Note: We still had two outstanding NACM reimbursements. **Please see the treasurer, Ralph Nardone, if you're the last member who has not met your \$25 pledge.**

Reminder: Club dues of \$12 per member for 2017 are now due. Please see Ralph if you need to pay your dues.

2) Updates for our June, 2017 Show:

Venue – Mike met with the venue manager and paid the rent (\$1K). Rental agreement completed. The insurance certificate for the event has been requested from Tom Faith, AMPS

Treasurer. We are OK to have a food truck at the show. Tim has volunteered to contact “*Taste of Europe*” to see if they will attend.

Vendors – Tim has sold or has reservations for 15 tables. This should bring \$450 if all the vendors show.

Raffle Donations – After some corrections by Jeff, we currently have 87 raffle prizes on-hand:

- a. 40 kits
- b. 19 books
- c. 28 misc prizes (gift certs, mag subscriptions, paint sets, etc.)

Over the last month, the biggest raffle donor to step up has been Keith Frape with 20 kits and a book. Club members who can manage it are asked to step up and make a donation. Please note that now that the entire show is an “all genres, all subjects” event, other-than armor model raffle prizes are very welcome (planes, cars, ships, sci-fi, etc.).

Awards Sponsorships – To date we have received \$975 in award sponsorships (some still pending). The awards have been ordered from TS Productions (29 total acrylic awards, Flight Deck show included).

3) “The Flight Deck Open Plastic Scale Model Show” update (i.e. the AMPS show expansion):

- a. Show flyers and posters have been created and distributed to local hobby shops. Copies are on our website. Expansion show announcements have been set out to all of the local AMPS chapters in the south region. Tim Darrah has selectively informed some IPMS chapters in R-12 and surrounding areas. Tim is also contacting / re-contacting selected vendors.
- b. The Flight Deck Restaurant stepped up to sponsor the expansion show (\$250 pledged), so the expansion show was named after the restaurant.
- c. Awards have been designed and ordered. There will be 15 each, “Top 15” awards and one “Judges’ Best of show” Award. Overall size and material (clear acrylic) will be similar to the AMPS special awards.
- d. Club members are reminded that this show expansion has nothing to do with IPMS or any other modeling organization. The show is being sponsored by the Flight Deck Restaurant, and the show committee is organized as an unaffiliated group of modelers. Our local AMPS chapter is providing the venue and support.

4) New Business:

- a. Tony Abbott continues to try to coordinate for the Airborne / Para Equip. display at our June show. He estimates that the display will need two tables.
- b. We welcomed two new members to the club – James Smith and his daughter Kaylie. Welcome aboard guys!
- c. The HobbyTown has rearranged its interior space, so we now have a much larger meeting area. For next month, May, they will have a large, semi-permanent table built in this area that should seat almost everyone in the club at once. Thanks, HTU, Jason and Brandon!

Regular Show & Tell: See the meeting photos for all of the completed and works in progress brought to this month's meeting!

Tentative Agenda, Regular Meeting, 10 May, 2017

Our next regular meeting will be held on Wednesday, May 10, 2017, 6-8 pm, at the HobbyTown store in the Publix Shopping Center (North Pointe Shopping Center), on Two Notch Road, Columbia (NE).

Tentative Agenda Business items:

1) Treasurer's Report: Current bank balance is approximately \$3,542.75. Cash on-hand is approximately \$230. Major expense for April were \$507 for the special awards and \$156 for the "Go Columbia" ad.

Note: We still had two outstanding NACM reimbursements. Please see the treasurer, Ralph Nardone, if you're the last member who has not met your \$25 pledge.

Reminder: Club dues of \$12 per member for 2017 are now due. Please see Ralph if you need to pay your dues.

2) Updates for our June, 2017 show:

Venue – We have received our Insurance Certificates from the AMPS Treasurer, Tom Faith. Timmy is still working the food truck issue. We have committed to a 1/8th page sized ad in the Thursday, 8 June "Go Columbia" supplement to the State Newspaper. Cost will be \$156 (already paid).

Vendors – We have firm commitments for 17 tables. Dave V. has 2 more tables potentially sold. If all 19 tables are sold, vendor income for the show is projected at \$570

Raffle Donations – The raffle donation situation has improved significantly. We received a large donation from Tom McCoy along with some items from Walthers. A number of additional items have also been donated. We're expecting a fairly substantial donation from Cool Mini or Not (CMON), mostly table top gaming items, such as Rivet Wars. As of May 3rd, we have 132 items on hand consisting of kits, books and miscellaneous items.

Awards Sponsorships – Current awards sponsorships received stands at \$1,115. This total includes \$250 from the Flight Deck, as well as several smaller private donations made this month. We have paid \$507 for the special awards from TS Productions (acrylic awards), which should ship to us by the end of this month. We still have a few open categories and special awards available for sponsorship.

3) Still to do for the show:

- a. New category table cards.
- b. Registration and entry forms
- c. Score cards / tally sheets.

d. We need a portable internet “hot spot” to run the registration and scoring database. Does anyone in the club have one that they would be willing to use on show day?

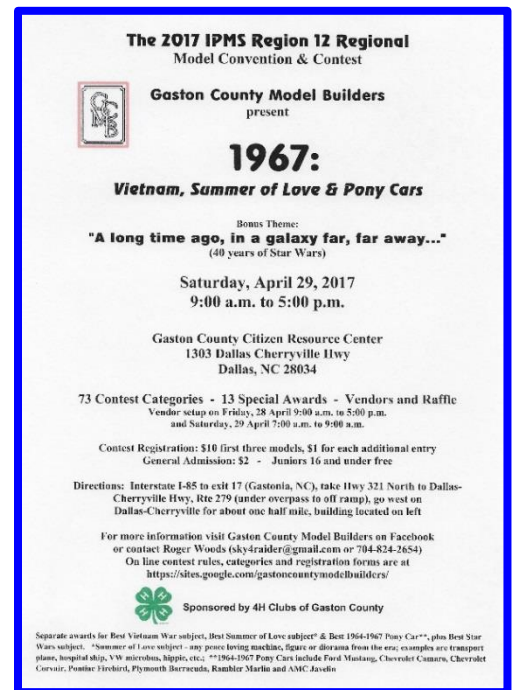
4) We continue to distribute show flyers. This month we got flyers to the 2017 AMPS I-Con in Danbury, CT, and to the IPMS R-12 Regional in Dallas, NC. We continue to restock flyers in other locations as they run out.

5) Show Reports from:

a. AMPS 2017 International Convention held April 20 to 22, 2017 in Danbury, CT. See the Interesting Article later in this issue.



b. 2017 IPMS R-12 Regional Model Show & Contest in Dallas, NC. We had a large number of club members enter models in the show and won numerous awards. Particularly noteworthy was Rebecca Hettmansperger won a first place and Best Figure in the figure category.



6) Floor will be open for new business.

Regular Show & Tell: to follow the business portion of the meeting. Finished models, works in progress and cool new stuff – Bring it all with you to share!

Mike Roof

REMINDER: The HobbyTown store will close at 7:00 pm (1900). This means that all purchases at the store must be made before then so that the cash registers can be closed.

6:15 pm (1810): Admin business and Show & Tell.

6:50 pm (1850): Break: Shopping & Social Mixer. Cash registers close at 8:00 pm.

7:10 pm (1910): Reconvene: Continue Show & Tell: Builds and WIPs

8:00 pm (2000): Meeting ends (officially)

Regular meetings are held on 2nd Wednesdays of each month at 6:00 pm (1800) at the HobbyTown store, 10120 Two Notch Road, Suite 5, Columbia, SC 29223, (803) 736-0959.

Up-coming Events

AMPS Central SC “Wildcats” Model Show and Exhibition: June 10, 2017, South Carolina (SC) NG Armory & SC Military Museum, 1225 Bluff Road, Columbia, SC 29201. The theme for this show is 50 Years Later: 1967 Arab-Israeli “Six-Day War”.

<http://www.ampscentralsouthcarolina.org/>



AMPS CENTRAL SC “WILDCATS”

50 Years Later:


1967 Arab-Israeli “Six-Day War”

MODEL SHOW & EXHIBITION

9am – 6pm Saturday

June 10, 2017

SC NG Armory & SC Military Museum
1225 Bluff Road
Columbia, SC 29201
I-77, Exit #5
www.ampscentralsouthcarolina.org



Theme Award Eligibility: AMPS qualifying model subjects from any of the four main combatants – United Arab Republics (UAR aka Egypt), Syria, Jordan or Israel as employed in the theater of operations bounded by those same four countries including their national land areas during the period of 5-10 June, 1967. Subjects must be depicted in the appropriate markings and / or color schemes and with the appropriate time-period technical features to be eligible. Model subjects from other nationalities that were actually present within the above defined area are only eligible if they appropriately depict vehicles or equipment as they would have actually appeared when supplied to one of the four main combatants during the war. Model subjects from other nationalities that were not actually present within this area are not eligible for the theme award even if they are otherwise historically or technically correct for the time period. Any questions about eligibility will be decided by the Chief Judge whose decision will be final.



AMPS Central SC “Wildcats”

Model Show and Exhibition, June 9-10, 2017
SC National Guard Armory and SC Military Museum
1125 Bluff Road, Columbia, SC 29201

Show Theme: 50 Years Later: 1967 Arab-Israeli “Six-Day War”

Theme Eligibility: AMPS qualifying model subjects from any of the four main combatants – United Arab Republics (UAR aka Egypt), Syria, Jordan or Israel as employed in the theater of operations bounded by those same four countries including their national land areas during the period of 5-10 June, 1967. Subjects must be depicted in the appropriate markings and / or color schemes and with the appropriate time-period technical features to be eligible. Model subjects from other nationalities that were actually present within the above defined area are only eligible if they appropriately depict vehicles or equipment as they would have actually appeared when supplied to one of the four main combatants during the war. *Model subjects from other*

*nationalities that were not actually present within this area **are not eligible for the theme award** even if they are otherwise historically or technically correct for the time period.*

Adjudication of Eligibility: The Chief Judge will have the final say on the eligibility of any model entered in the show, to include eligibility for the Show Theme Award. It is the modeler's responsibility to provide any proof of eligibility (photos, textual descriptions, etc.) if requested by the Chief Judge or his designated representatives. **However, the Chief Judge's rulings will be final in all cases.**

Flight Deck Open Plastic Scale Model Contest: June 10, 2017, South Carolina (SC) NG Armory & SC Military Museum, 1225 Bluff Road, Columbia, SC 29201.
<http://www.ampscentralsouthcarolina.org/>

FLIGHT DECK RESTAURANT 9 am – 5 pm
Saturday June 10, 2017

OPEN PLASTIC SCALE MODEL CONTEST

SC NG Armory & SC Military Museum
1225 Bluff Road (I-77, Exit #5)
Columbia, SC 29201

- Free General Admission
- Open to all model Subjects / Genres EXCEPT Armor, Military Vehicles & Military Figures
- The Contest will have a "Free Category" organization
- "Top 15" Model Awards (all equal)
- A single Judges' Best Of Show Award

In Association with
AMPS-CENTRAL SC "WILDCATS"

AMPS Central South Carolina WILDCATS
AMPS

www.ampscentralsouthcarolina.org

2017 New Releases

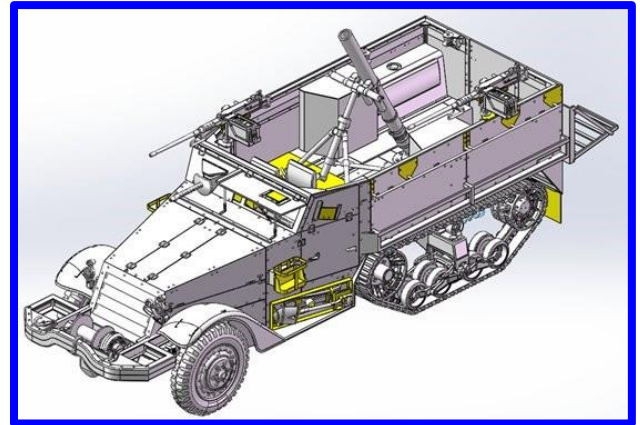
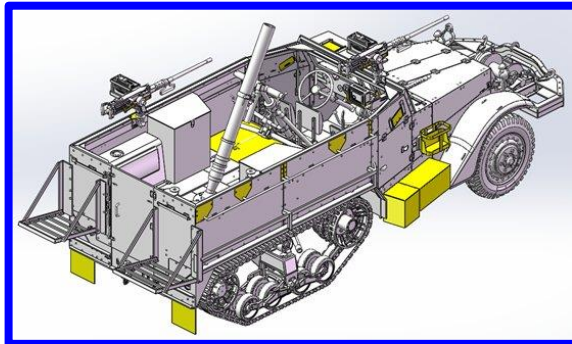
- **T-54B Early Production Soviet Medium Tank Interior Kit** – MiniArt, 1/35th scale, kit #37011



- **T-54B Early Production Soviet Medium Tank** – MiniArt, 1/35th scale, kit #37019



- **IDF M3 Mortar Carrier** – DML, 1/35th scale, kit #? (Coming Soon)



- **German Cargo Truck L1500S** – MiniArt, 1/35th scale, kit #38014



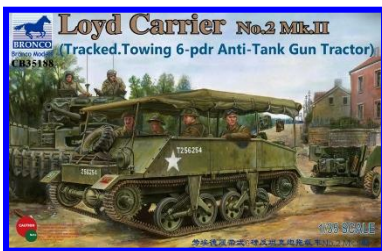
Members Build Blogs

Build Blogs give an in-depth review of the construction process and allow the builders to share their knowledge. We are fortunate to have some of the members in our club with build blogs on modeling web sites.

Mike Roof has 2 on Track-Link.com:



MiniArt T-44 Soviet Medium Tank, Kit # 35193
http://www.track-link.com/forums/site_blogs/27686



Bronco Loyd Carrier No. 2, Mk II (Tracked Towing 6-pdr Anti-Tank Gun Tractor), # CB35188, towing a Riich British Ordnance QF Mk. IV A-T Gun 6 Pdr, # 35042
http://www.track-link.com/forums/site_blogs/22053

Jeff Nelson has 1 on Armorama.com:



Fine Molds Japan Ground Self-Defense Force Type 60 APC, FM40
http://www.armorama.com/modules.php?op=modload&name=SquawkBox&file=index&req=viewtopic&topic_id=213731&page=1#2056793

Additionally, Jeff did an In-Box-Review of this kit.
<http://armorama.com/modules.php?op=modload&name=Reviews&file=index&req=showcontent&id=9272>

Keith Frape also has 2 on Armorama.com:

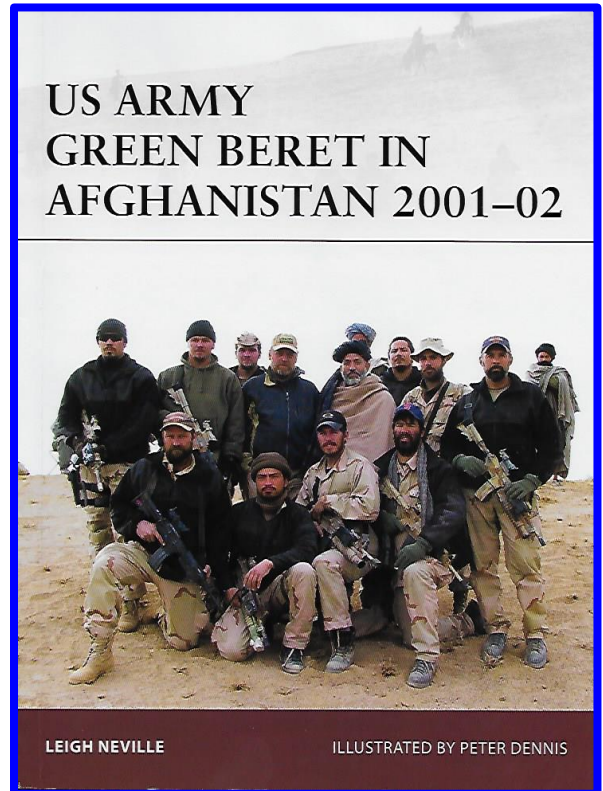


Chieftain Mk. 7 ARRV (Tamiya + Accurate Armor Conversion)
http://www.armorama.com/modules.php?op=modload&name=SquawkBox&file=index&req=viewtopic&topic_id=241027



Up Armored Scimitar LEP with Bar Armor (AFV Club + Castoff Models Conversion)
http://armorama.com/modules.php?op=modload&name=SquawkBox&file=index&req=viewtopic&topic_id=212968

Publication Author: **Leigh Neville**
Publishing Company: Osprey Publishing
ISBN #: **9781472814005**
Other Information: Paperback, 64 pages, with over 60 color images
Price: \$19.00
Product/Stock #: **WAR 179**
Product Web Site: <https://ospreypublishing.com/>
Product Web Page: [Osprey Publishing Book Link](#)
Product provided by: Osprey Publishing
Reviewed by: Phillip Cavender, IPMS #50085



Osprey Publications have given us another excellent book in the Warrior Series. Osprey's "*US Army Green Beret in Afghanistan 2001-02*" book delves into the making of a Green Beret from recruitment to the daily lives during the Afghanistan conflict. This publication is divided into 11 sections:

1. Introduction: History and Tradition

In this section the reader is given a brief history of the 5th Special Forces Airborne Group and Colonel Aaron Bank's view of how a special team of elite men could operate in hostile countries. Additional brief historical information is given during the conflicts from the group's inception to modern day warfare.

2. Recruitment and Selection: Becoming A Modern Green Beret; The Q Course and Robin Sage

This section gives the reader a thorough understanding of the selection process the candidates go through, what is required of them, and a summary of the different courses one must go through to become a US Green Beret. Also in this section the writer explains the different Special Forces missions that are performed while a Green Beret.

3. Appearance: Beards and Baseball Caps

While a US Green Beret the soldier must blend in to the different cultures. The author here describes the reasons for growing beards and the use of baseball caps.

4. Equipment and Weapons

Leigh Neville writes in this section the many different sophisticated weaponry issued to the ODA's (Operational Detachment Alpha) from the M4A1 carbine, to the 9mm Beretta M9 to the 7.62mm M240B machine gun. The reader is also given information about the most important radio's the Green Beret's carried with them.

5. Belief and Belonging

The author here gives us an understanding of the responsibilities the Green Beret's felt that were deployed to Afghanistan and the respect and trust they had for each other. Part in due to the men being the first teams deployed because of the terrorists attacks in 2001.

6. On Campaign: Operation Enduring Freedom - Afghanistan

This chapter is most certainly the largest chapter encompassing 27 pages of intense, enlightening information dealing with the Afghanistan campaign. Each paragraph places the reader on pins and needles wondering if the ODA's would accomplish their objective. The author randomly places full page color paintings in this section depicting the team and the locals.

7. Experience of Battle

This chapter discusses the experience the Green Beret's developed during the campaign from succeeding in their mission to obtaining support and trust of the Afghanistan people in defeating the Taliban.

8. Aftermath of Battle: A Missed Opportunity and The Birth of a Modern Legend

This chapter deals with the missed opportunities in Afghanistan and the insurgent of the Taliban due in part to the small number of forces left in Afghanistan while the Iraqi war was going on.

9. Bibliography

Numerous references are listed here if the reader wants to explore other reference books dealing with the topic.

10. Glossary

The glossary was unusually helpful due to the many abbreviations used throughout the book. Abbreviations such as ODA, FMLN and SOCOM are defined covering two pages.

11. Index

In Conclusion, this book provides a wealth of information to the inner workings of the Green Beret's day to day experiences that affected the outcome of the conflict in Afghanistan. Not only does this book give a synopsis of the Green Beret's selection to and including training but, a great tool for using the many color images the modeler can reference in building a modern day diorama. What I liked most about this book were the many images and color paintings depicting the Green Beret. This is one of those books were you actually don't want to put it down until you have finished reading.

I highly recommended this book for inclusion into one's library.

Thanks to Osprey Publishing and to IPMS/USA for the opportunity to review this book. A special thanks to Dave Morrisette, (1st VP) IPMS/USA for allowing me to include this review in “*The Wildcat Newsletter*”.

Phillip Cavender
IPMS/USA #50085

Interesting Articles – AMPS 2017 International Convention

This year’s AMPS International Convention was held April 20 to 22, 2017 in Danbury, CT. Unfortunately, only a few of our Chapter’s members were able to attend the show; Dave Varettoni, Mike and Sheila Roof.

Dave worked tirelessly for almost the whole convention in the judging pits in various positions, but the majority of the time as an Assistant Chief Judge. Since Dave flew up to Danbury, he decided not to bring anything to enter (a wise decision).

Mike Roof entered two models in the Masters Category. His “*T-44 Medium Tank, Belarusian Military District, ca. 1950s*” earned a perfect score of 30.5 points and a Gold Medal. Mike’s vignette “*The Cuppa Before the Storm*” won the Best Master Award.



“*T-44 Medium Tank, Belarusian Military District, ca. 1950s*” by Mike Roof



“The Cuppa Before the Storm”, Loyd Carrier with OQF 6pdr AT Gun, Villers-Bocage along National Route 175, 9:00 am, 13 June, 1944, Vignette by Mike Roof

Mike Roof
 AMPS #1632
 Chapter Contact

Interesting Articles – Modeling Assistance Request

“I was wondering if anyone might be interested in helping me build up a permanent (as in once finished, the models are donated) display for the 55th Fighter Squadron’s 100-Year Anniversary / Reunion to be held at Shaw 23-25 August 2017? They would be 1/72nd scale and cleanly built.

The list includes the following aircraft:

- P-12B
- DH-4
- P-26A Peashooter *
- P-36A Hawk *
- P-40B Warhawk *
- P-39 Airacobra
- P-38J Lightning
- P-51B or D Mustang
- F-84F Thunderjet
- F-100D Super Sabre
- F-111E Aardvark
- A-10A Warthog
- F-16C Viper

* I’m going to start with the P-26, P-36 & P-40.

Please let me know if you'd be willing to help. I do have some reference material on hand and have asked my contact in the 55th to supply me with more.

Also, please note that we are not getting reimbursed for the cost of the kit, supplies or labor.

Thanks.”

Tim Darrah
AMPS #2545
IPMS/USA #8821

The USA Historical AFV Register

Mike Roof has provided us with a great link he found that may be of interest to all.

"For those who are interested in preserved AFVs or photographing them for research, here's a link to the latest issue of the AFV Register Organization's "The USA Historical AFV Register."

The register is broken down by state and city, with the AFVs listed along with their exact locations (to include GPS lat/long coordinates). This is a good list to keep saved on your computer.

If you travel around you can plan accordingly (look up your travel destination or itinerary stops to see what interesting AFVs might be there), and if you need reference material on a particular vehicle, you can often contact one of your "virtual" friends online who lives near an exhibit to take some pictures for you".


The USA Historical AFV Register

Armored Fighting Vehicles Preserved in the United States of America

V4.0 **March 2016**

Michel van Loon
Neil Baumgardner

For the AFV Association



Picture by Paul Hannah

<http://afvregister.org/Downloads/The%20USA%20Historical%20AFV%20register%204.0.pdf>

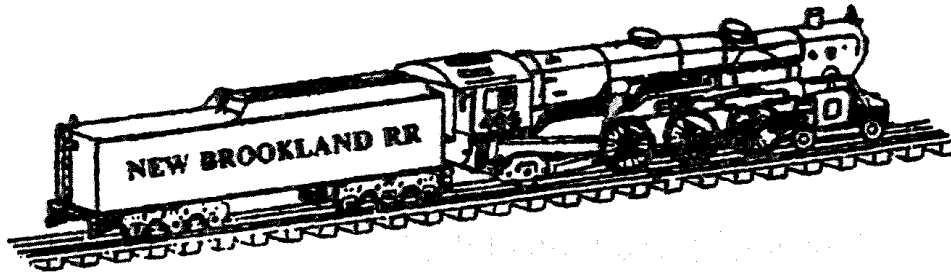
Support Our Local Vendors



10120 Two Notch Road, Suite 5
Columbia, SC 29223
(803) 736-0959
<https://www.hobbytown.com/columbia-e-sc/l57>
HobbytownColumbiaSC@gmail.com

(*) Denotes New Store Hours

*Sunday	12-5
Monday	11-7
*Tuesday	Closed
Wednesday	11-7
*Thursday	11-7
*Friday	11-8
Saturday	10-8



405 State Street
West Columbia, SC 29169
(803) 791-3958
Mon – Sat, 10am to 6pm



5633 Broad Street
Sumter, SC 29154
(803) 983-5084
Mon – Sun, 2pm to 7pm



Classified Ads

All submissions for entry into the Classified Ads section should be submitted to the editor two (2) weeks prior to the monthly AMPS meeting. Next submission deadline will be April 26, 2017.

For Sale:

- 1) Cyber Hobby M1 USMC includes Tamiya figures, stowage, and PE set ~ \$25.
- 2) Trumpeter BMP3 ~ \$35.
- 3) Dragon M4A3 HVSS Flamethrower ~ \$30.

Contact Trevor Edwards.

For Sale: Tamiya T34/ 76 with New Connections metal gun barrel and Eduard photo-etch for sale ~ \$48. **Contact Tom McCoy.**

For Sale: Eliere Tolan wants to sell a DML1/35 King Tiger, Henschel turret with zimmerit (kit 6208). He also has two photo etch sets (Eduard and Voyager) and two aluminum gun barrels as well. The kit has been opened, but not the bags. This is an early version kit and does not have the molded on zimmerit that later versions of this kit does, but the kit does have Atak zimmerit, which can be applied separately if so desired. \$60.00. Buyer pays postage. See Wildcats Build Site on Facebook for pictures. **Contact Eliere Tolan.**

For Sale: John Sherrer has a large number of DML/Dragon figure kits that he would like to begin divesting himself of in the coming months. They are too numerous to list. Contact John directly for specific kits he has in his stash. **Contact John Sherrer.**

For Sale:

- 1) 1:35 Trumpeter German s.F.H. 18 Field Howitzer ~ \$28.
- 2) 1:35 Tamiya German 4x2 3 ton cargo truck (Opel Blitz). Extra German fuel/oil drums and Jerry cans included. ~ \$25
- 3) 1/72 Italeri B-17 Fortress Mk. I (re-box of the Academy B-17 C/D with 7 marking options; 3 U.K., 4 U.S.). I assembled the main landing gear and removed the main wings from the sprues, but other than that the kit is like new. ~ \$25

Contact Ben Brandes.

Wanted: I am looking for the Eduard (35 233) 1/35 photoetch M110A2 SPH update set for the Italeri M110/M1102, and M107 kits. As with the Hobby Fan resin Kit, I kept waiting to buy one until it also was gone! -- Are you picking up a recurring theme here? **Contact Carl Wethington.**

Wanted: I am looking for the Hobby Fan (HF001) 1/35 resin M110A2 SPH update set for the Italeri M110/M1102, and M107 kits. As you can tell from the item number it was the first resin detailing kit make by Hobby Fan. It was an excellent set that replaced much of the traditional Italeri soft detail, and included an outstanding loader / rammer section. I kept waiting to buy one -- until, well, it was gone! If you come across one, I would be glad to "rent" the set to make resin masters for my M110 and M107 kits. Thanks for any leads you can offer!
Contact Carl Wethington.

“The Day Room”

In the US military, most company-level units have a “day room” in the barracks where the troops hang-out, relax, and BS. When you want to learn the latest in “rumor control,” you swing by the day room and chat-up the Joes and Janes hanging out there. They might not always get it right, but they’re always willing to tell ya just what they think! So, welcome to “the Day Room...”

Don't forget about the upcoming events to show our support.

Oh, WAIT! Our 2017 Show is next! ALL HANDS ON DECK! That means "US"!

Also don't forget to send me your favorite techniques you've learned through the years. We all would benefit. I'll include them in our next newsletter.

Finally, if you aren't a member of AMPS, now is the time to join. **Join AMPS Now!**

<http://amps-armor.org/>

Happy modeling,

Phil Cavender

Editor, "The Wildcat", AMPS Central SC "Wildcats"

Special Note:

The March/April 2017 issue of Boresight included a full-page spread of our chapter's NACM Heritage Foundation "Memorial Paver Program" Chapter Donation Challenge poster.

Who is up to the CHALLENGE?



**NACM Heritage Foundation
"Memorial Paver Program"
Chapter Donation Challenge**

As an acknowledgement of our appreciation for the work being done by the National Armor & Cavalry Museum (NACM), and in an effort to support them, our AMPS chapter voted in November, 2016, to make a donation to the museum's Heritage Foundation's "Memorial Paver Program." This is a fund raising effort intended to help raise the money needed to build a permanent home for the NACM. Our club members decided to donate \$250 out of our treasury. In addition to this donation, ten members decided to make extra individual donations of \$25 each, for a grand total of \$500 from the AMPS Central SC "Wildcats".

The NACM will one day be the place that armor fans and military history buffs have always wanted to see in the United States. However, the museum's staff and volunteers are not waiting for a "pie-in-the-sky-some-day", but are working hard today to preserve, conserve, memorialize and educate. AMPS Central SC "Wildcats" are proud to be able to contribute to that mission.

We challenge all other AMPS Chapters to step up and donate to this excellent cause.



The "Wildcats" who went the extra mile to make individual donations are (l to r): Jeffrey Nelson, Phil Cavender, Mike Roof, David Varettoni, Michael Child, Ralph Nardone, and Tom Wingate. Not pictured are Clint Mcleod, Carl Wethington, and Bryan Mueller.