

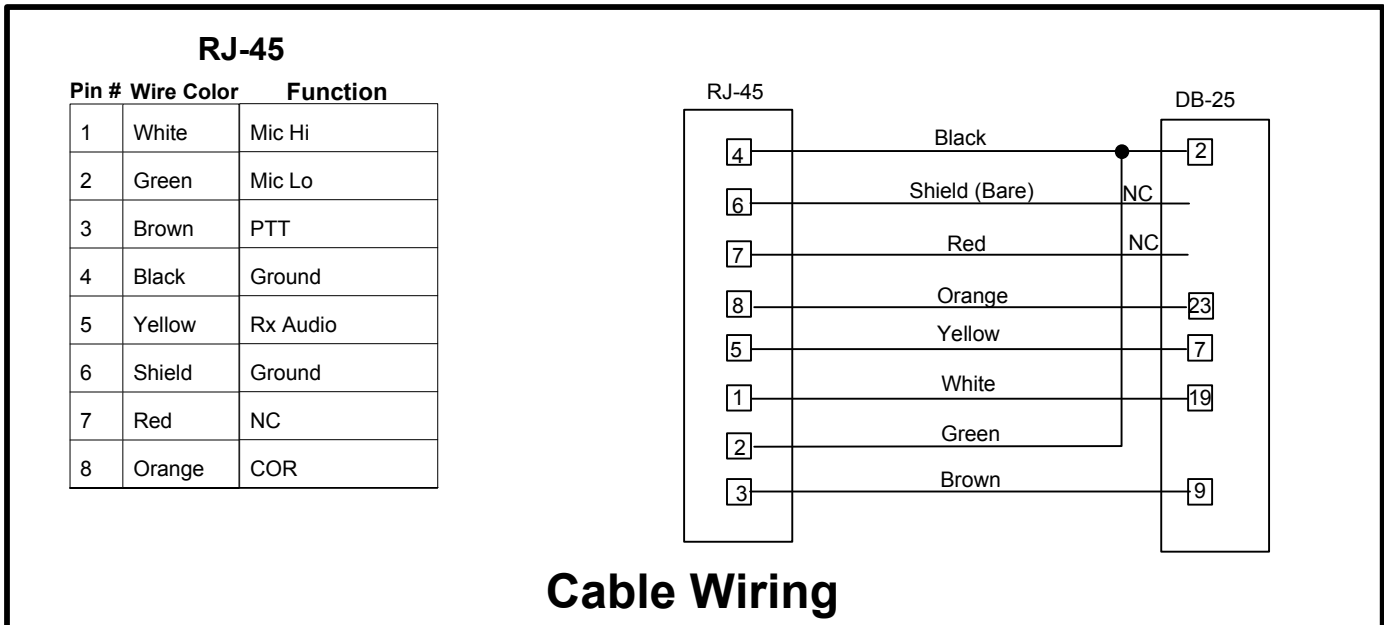
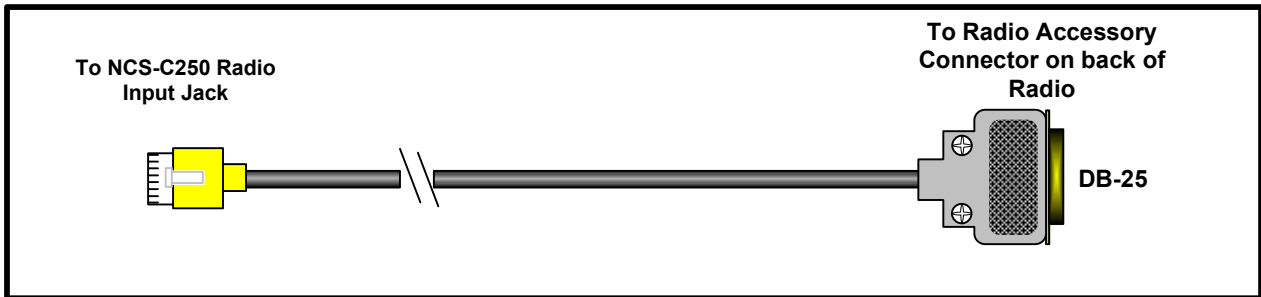
Radio Interface Cable

For NCS-C250 Mobile Multi-Switcher

NCS Model Number
NCS-250-ACA-XX

Compatible Radios:

EDACS 500M



Cable Wiring

Notes:

1. Program *External Mute*, active high output 1 for COR on Pin 23
2. Program *Aux Input 2* (pin 9) for PTT
3. In order for the receive audio (XTONDEC) to be connected to Pin 7 of the DB-25, remove the control head of the radio and remove the wire from pin 6 of J602 and jumper to Pin 7 of J605.