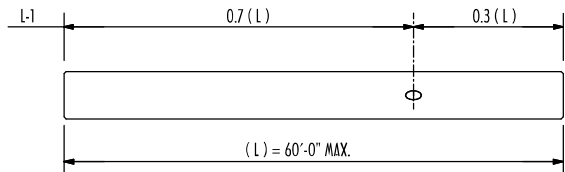
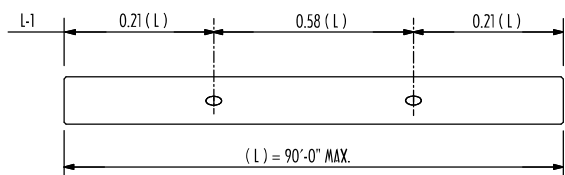


ELEVATION

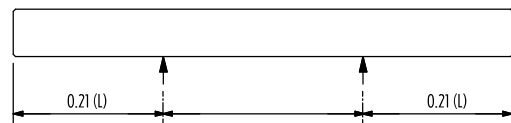


ONE POINT PICK-UP

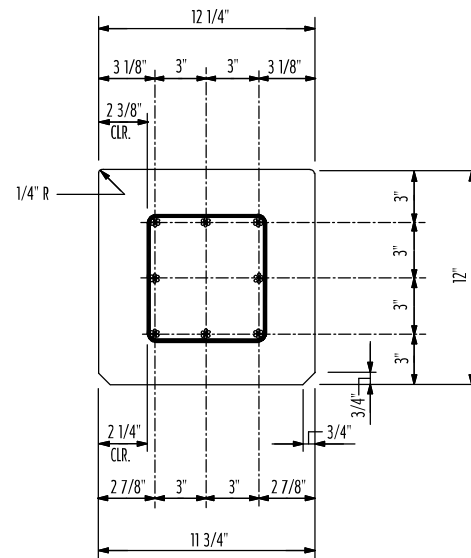


TWO POINT PICK-UP

PICK-UP POINT DIAGRAMS



STORAGE/SHIPPING POINTS



TYPICAL SECTION

CAST IN ITEMS		
MK. NO.	QTY.	DESCRIPTION
L1	2	1/2" STRAND LIFTING HOOKS

SECTION PROPERTIES			
AREA (SQ IN)	144	WT. (LB/FT)	145
PERIM. (FT)	4.00		

- GENERAL NOTES
- 1) CONCRETE STRENGTH = 6000 PSI @ 28 DAYS
 - 2) 7/16" DIA. STRAND TO HAVE A MINIMUM ULTIMATE STRENGTH OF 270 KSI AS PER ASTM A416 (A = 0.153 SQ. IN.)
 - 3) SPIRAL WIRE TO BE W3.4 (5 GAUGE) COLD DRAWN WIRE
 - 4) STRAND TO BE CUT OFF FLUSH WITH PILE ENDS.
 - 5) TENSION PER STRAND = 23.0 K
 - 6) TRANSFER OF PRESTRESS FORCE @ 3500 PSI CONCRETE STRENGTH.
 - 7) HANDLING LENGTHS BASED ON INCLUDING 50% IMPACT FACTOR & MAX. TENSILE FORCE = $6\sqrt{3500}$
 - 8) STRAND TO BE CUT OFF FLUSH WITH PILE ENDS.
 - 9) EXACT PILE CAPACITY SHOULD BE DETERMINED BY A PROFESSIONAL GEOTECHNICAL ENGINEER
 - 10) PROPER DESIGN & DETAILING OF TENSION OR MOMENT CONNECTION TO PILE IF REQUIRED, IS THE RESPONSIBILITY OF THE ENGINEER OF RECORD.

Prepared By: **RJW Consulting International, Inc.**
2518 Catalina Dr., Orlando, FL 32805
(407) 493-7573

Prepared For: **HENDERSON PRESTRESSED CONCRETE, INC.**
822 ANCLOTE RD.
TARPON SPRINGS, FL 34689
(727) 938-2828
hendersonprestressedconcrete.com

DRAWN: RJW ISSUE (PRELIM.): 02/27/18
CHECKED: ISSUE (PRODUCTION):

Project:

12" 8W PILE			QUANTITY

REV.	DATE	DESCRIPTION	MARK NO.
REVISIONS			

NOTE: THIS DRAWING IS THE PROPERTY OF HENDERSON PRESTRESSED CONCRETE, INC. (HPC) AND SHALL NOT BE REPRODUCED BY ANY MEANS WITHOUT THE EXPRESSED WRITTEN CONSENT OF HPC.

DWG. NO.