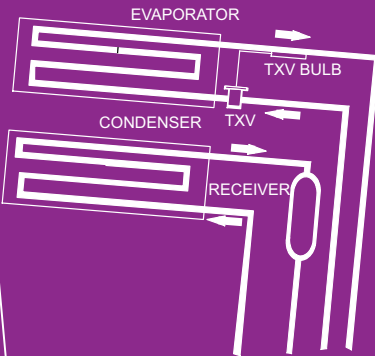
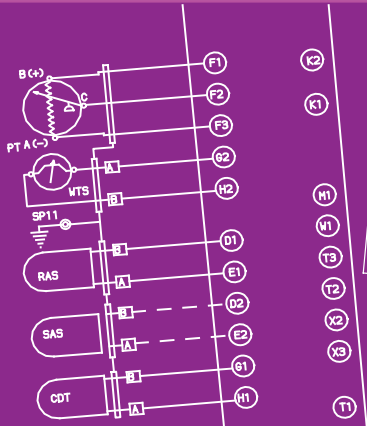




Truck Refrigeration



Generic Service Parts List for Supra 560, 660, 760 Truck Refrigeration Units



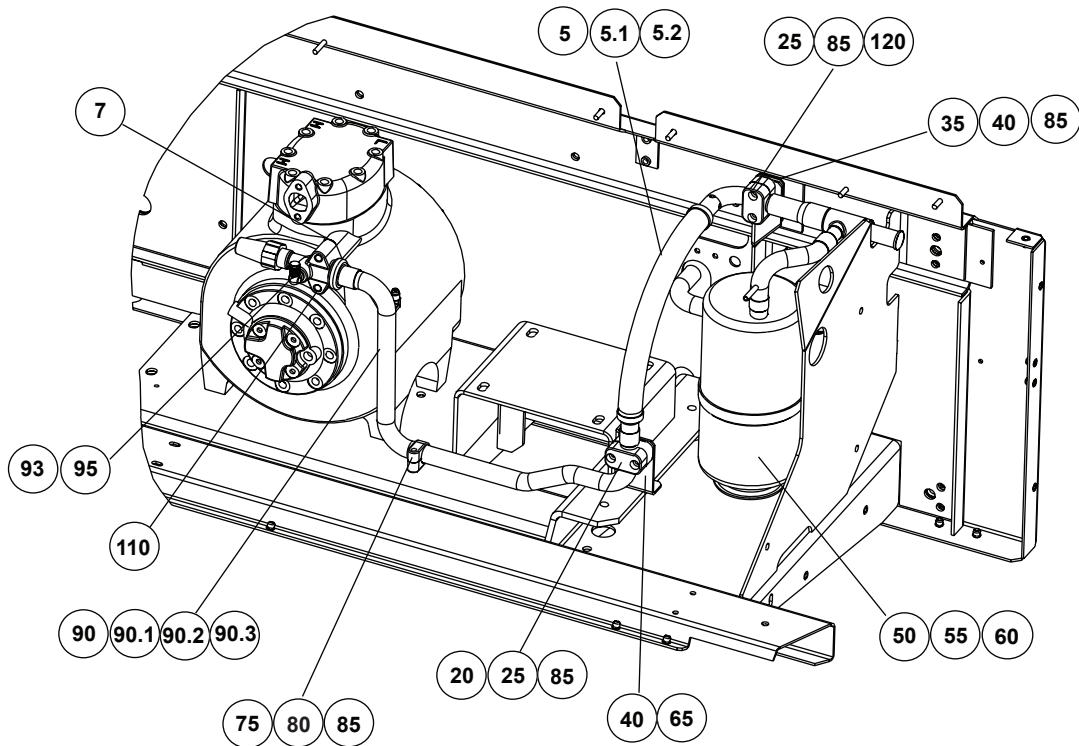
Service Parts List Supra 560, 660, and 760 Table of Contents

Accumulator (Supra 560 only)	1
Accumulator (Supra 660 and 760).....	2
Air Cleaner (560 only)	3
Air Cleaner (660 and 760 only)	4
Alternator (560 only)	5
Alternator (660 and 760 only).....	7
Bottom Panel (560 only)	9
Bottom Panel (660 and 760 only).....	10
Condenser (560 only)	11
Condenser (660 and 760 only)	14
Coolant Kit (560 only)	18
Coolant Kit (660 and 760 only).....	20
Decal Kit	22
Drive Kit (560 only)	24
Drive Kit (660 and 760 only).....	29
Electrical Kit (560 without Standby only)	32
Electrical Kit (560 with Standby only)	40
Electrical Kit (660 and 760 without Standby only).....	51
Electrical Kit (660 with Standby only)	60
Electrical Kit (760 with Standby only)	71
Evaporator Kit	83
Evaporator Kit (660 with Standby).....	86
Evaporator Kit (760 with Standby).....	90
Exhaust System (560 only).....	94
Exhaust System (660 and 760 only).....	95
Frame Kit (560 only)	96
Frame Kit (660 and 760 only)	97
Fuel System Heater (560 only).....	98
Fuel System Heater (660 and 760 only).....	100
Mounting Kit (Units without Standby).....	102
Mounting Kit (Units with Standby).....	105
Oil System Kit (660 and 760 only)	109
Refrigerant Kit (560 only).....	111
Refrigerant Kit (660 and 760 only).....	113
Skins Kit (560 only).....	115
Skins Kit (660 and 760 only).....	117
Standby Plug Kit (Units with Standby only)	120

NOTE: This parts list is based on units built prior to 3/1/2017 and is intended for reference only. Parts and other information included in this list may have changed since this list was published. As such, Carrier Transicold cannot be held liable for parts ordered in error based on outdated information. For the most current parts available, refer to PLUS (the Truck/Trailer parts lookup system) or contact the Performance Parts Group Customer Response Center Monday through Friday 8 a.m. to 6 p.m. EST at 1-800-255-7382 or by email at ppp.customer.service@carrier.utc.com.

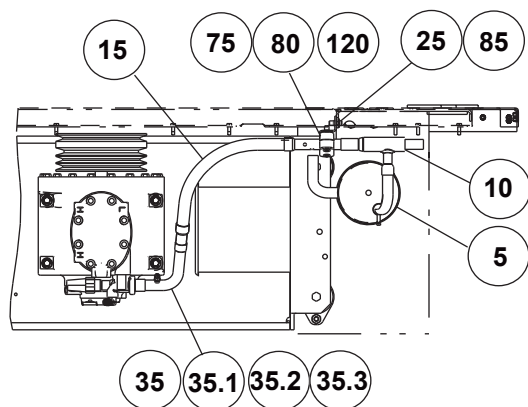
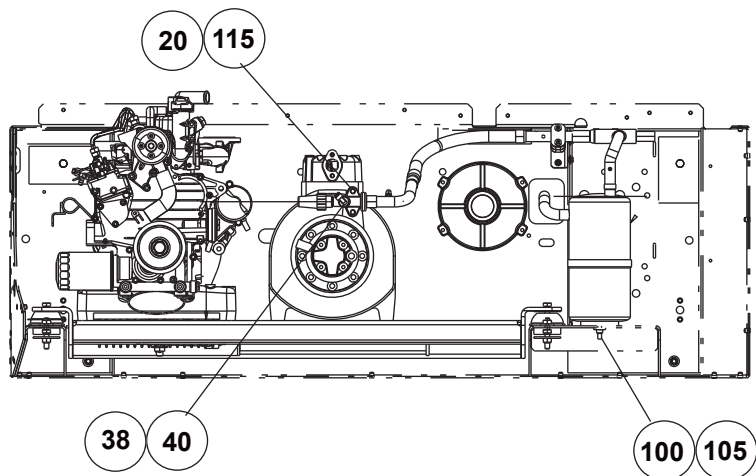
Carrier Transicold reserves the right to discontinue or change, at any time, specifications or designs without notice and without incurring obligations. Care was taken to make the information contained herein as accurate as possible. We do not guarantee however, that the catalog is free from errors. As such, prior to ordering, please provide your Carrier Transicold dealer with your unit serial number to verify its specific parts requirements.

Accumulator - Supra 560 without Standby



Item Number	Part Number	Part Description	Quantity
		Accumulator - Includes:	
5	81-60657-00	Tube Assembly - Includes:	1
5.1	14-60000-02	Valve, Pressure Regulator	1
5.2	73-60083-00	Vibrabsorber	1
7	17-44138-00	Gasket, Discharge Valve	1
20	44-00285-60	Clamp, Tube 7/8 OD	1
25	34-00967-40	Screw, Cap, Hex Head, M6 x 40MM	4
35	67-01059-00	Bracket Assembly, 11 GA, 0.119 HRS	1
40	34-01266-20	Screw, Hex Head, Sems, M6 x 20MM Slotted	4
50	65-60071-00	Accumulator	1
55	34-01184-58	Nut, Lock, M8 Nylock	1
60	34-01249-25	Spacer, M8 x 25 OD x 4 Thick	1
65	67-01061-00	Bracket, 11 GA, 0.119 HRS	1
75	44-60010-14	Clamp, Tube, 7/8 Diameter	1
80	34-01152-40	Screw, Cap, Hex Head, M6 x 40MM	1
85	34-60095-27	Washer, Lock, M6 x 14MM OD	7
90	81-60655-01	Tube Assembly, Suction - Includes:	1
90.1	56-03904-00	Tube, Copper, 7/8 OD x 0.045W, Copper	1
90.2	14-01042-14	Valve, Service, 7/8 OD Tube	1
90.3	40-60006-00	Fitting, 1/4M - Schrader 1/4M	1
93	40-00086-04	Cap, Seal, 1/4 Female Flare	1
95	40-00102-04	Elbow, 90 Street, 1/4 Flare x 1/8 NPT	1
110	34-00302-14	Screw, Cap, Hex Head, 5/16-18 x 1.75	2
120	44-00285-57	Clamp, Tube, 7/8 OD	1

Accumulator - Supra 660 and 760 without Standby

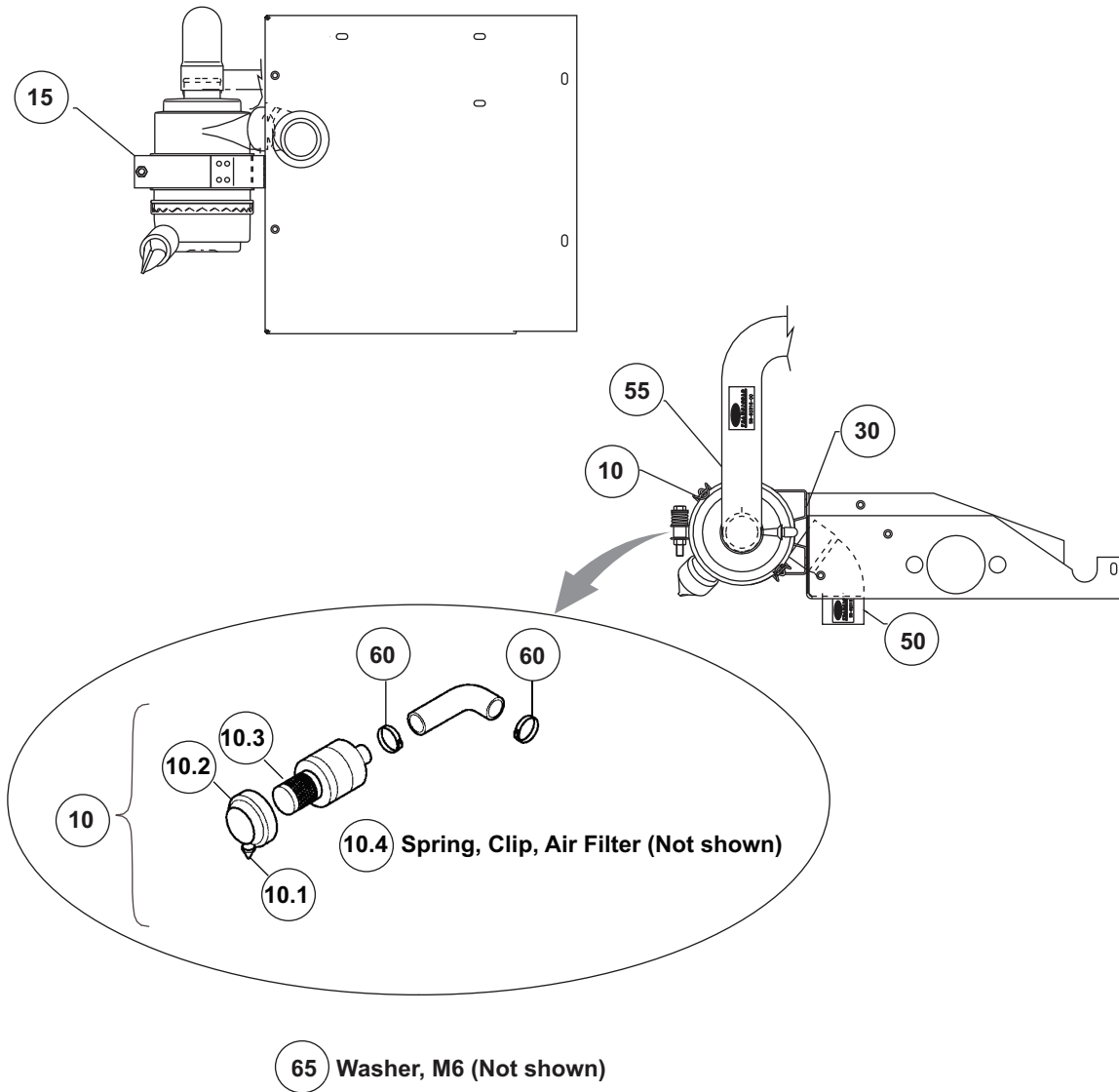


Top View

110 Gasket, Discharge Valve (not shown)

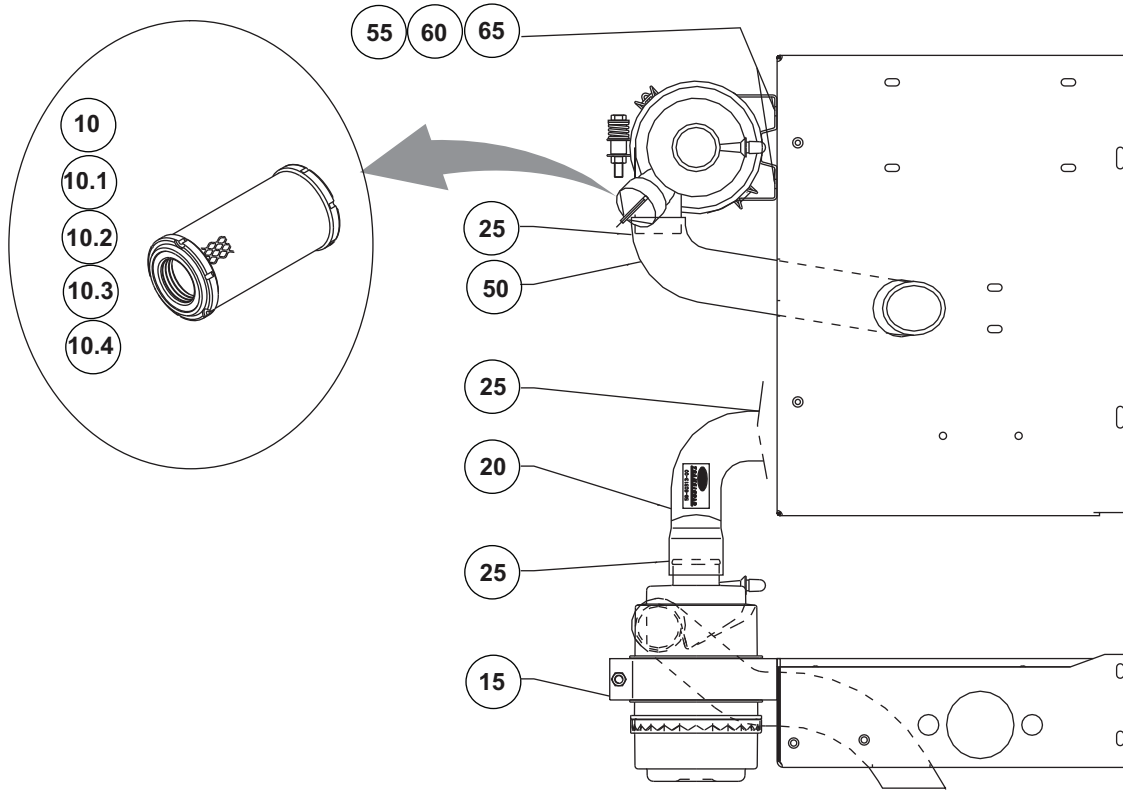
Item Number	Part Number	Part Description	Quantity
5	65-60018-01	Accumulator	1
10	14-60000-02	Valve, Pressure Regulator, CPR	1
15	73-60010-04	Vibrabsorber	1
20	14-01042-14	Valve, Service, 7/8, Tube	1
25	68-08365-00	Bracket	1
35	81-60177-01	Tube Assembly, Suction Line - Includes:	1
35.1	14-00351-00	Core, Schrader, Plated	1
35.2	56-60802-01	Tube, Suction Line	1
35.3	40-01124-00	Valve Body	1
38	40-00086-04	Cap, Seal, 1/4 Female Flare	1
40	40-00102-03	Elbow, 90 Street, 1/4 Flare x 1/8 NPT	1
75	34-00967-60	Screw, Cap, Hex Head, M6 x 60MM	2
80	34-60095-27	Washer, Lock, M6 x 14MM	2
85	34-01266-20	Screw, Cap, Hex Head, M6 x 60MM	2
100	34-01184-58	Washer, Lock, M6 x 14MM	1
105	34-01249-25	Spacer, M8 x 25 x 4 Thick	1
110	17-44138-00	Gasket, Discharge Valve	1
115	34-00302-14	Screw, Cap, Hex Head, 5/16 - 18 x 1.75	2
120	44-00285-60	Clamp, Tube, 7/8	1

Air Cleaner - Supra 560



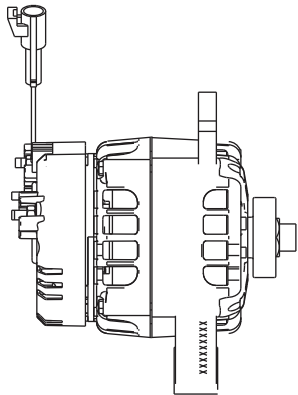
Item Number	Part Number	Part Description	Quantity
		Air Filter (560 Only) - Includes:	
10	30-60049-00	Air Cleaner, Dry Type - Includes:	1
10.1	30-60049-22	Kazoo, Air Filter	1
10.2	30-60049-21	Housing and Cover, Air Filter	1
10.3	30-60049-20	Air Filter Element	1
10.4	30-00430-21	Spring, Clip, Air Filter	2
15	30-60074-01	Clamp Assembly, Air Cleaner	1
30	34-01152-25	Screw, Cap, Hex Head, M6 x 25mm	2
50	58-60315-00	Hose, Air, Diameter 44mm, Thick 4mm	1
55	58-60316-00	Hose, Air, Diameter 40mm, Thick 5mm	1
60	44-00045-04	Clamp, Hose, 1.81-2.50 Worm Type	3
65	34-60002-06	Washer, M6 Bellville	2

Air Cleaner - Dry Type - Supra 660 and 760



Item Number	Part Number	Part Description	Quantity
		Air Filter, 660 and 760 without Standby - Includes:	
10	30-60075-00	Air Cleaner, Dry Type - Includes:	1
10.1	30-60049-20P12	Element, Air Filter (Case of 12)	1
10.2	30-60075-21	Cover, Air Filter	1
10.3	30-60075-22	Kazoo, Air Filter	1
10.4	30-00430-21	Clip, Spring, Air Filter	2
15	30-60074-01	Clamp Assembly, Air Cleaner	1
20	58-60313-00	Hose, Air, Diameter 40mm Thick, 4mm	1
25	44-00045-04	Clamp, Hose, 1.81 - 2.50, Worm Type	3
50	58-60314-00	Hose, Air, 44	1
55	34-00876-20	Screw, Cap, Hex Head, M8 x 20mm, 0.79	2
60	34-60002-08	Washer, M8 Belleville	2
65	34-06051-107	Rivnut, M8	2

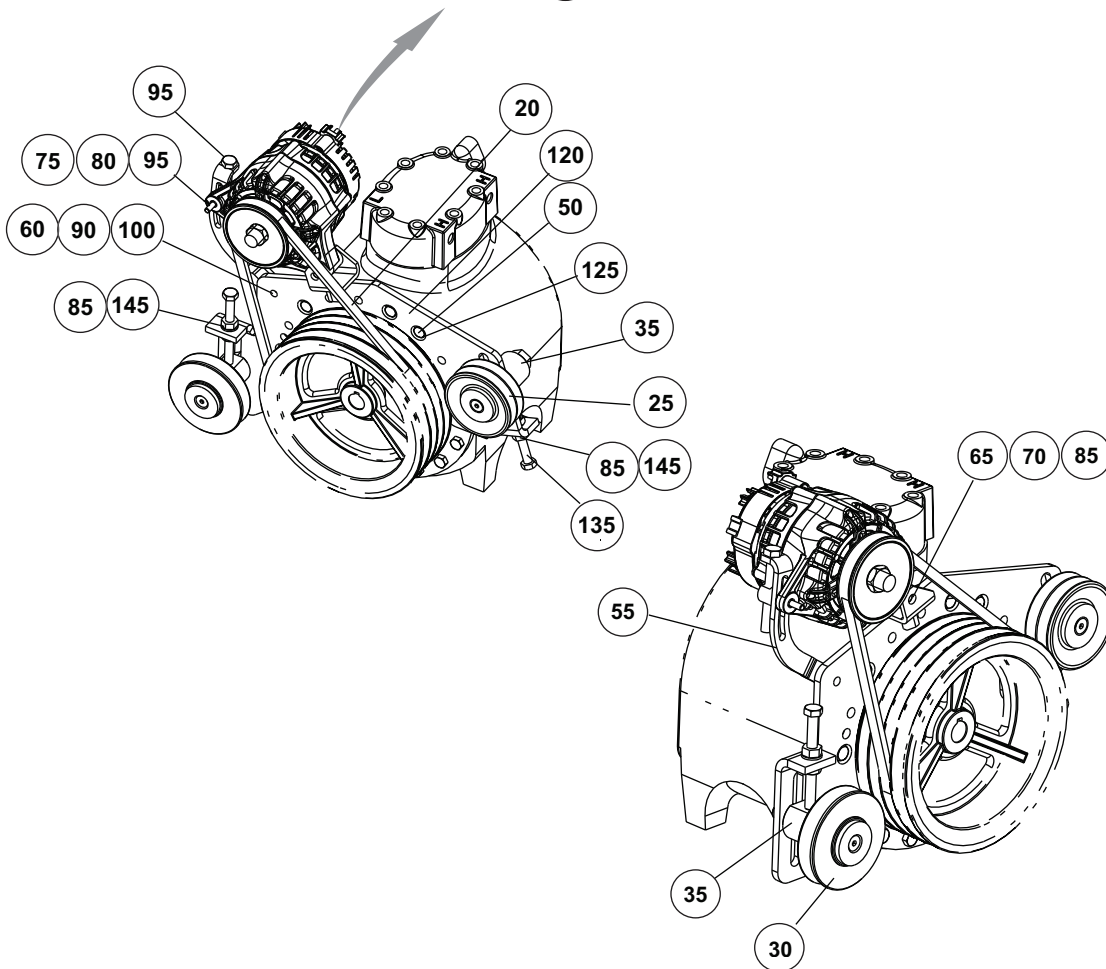
Alternator - Supra 560



- 5.1 - Service Kit A, Hardware (Not Shown)
- 5.2 - Service Kit B, D plus Harness (Not Shown)
- 5.3 - Brush Holder Assembly, Regulator (Not Shown)
- 5.4 - M16 CW Nut Kit, 16 Washer (Not Shown)
- 5.5 - Rear Plastic Cover without Connector (Not Shown)

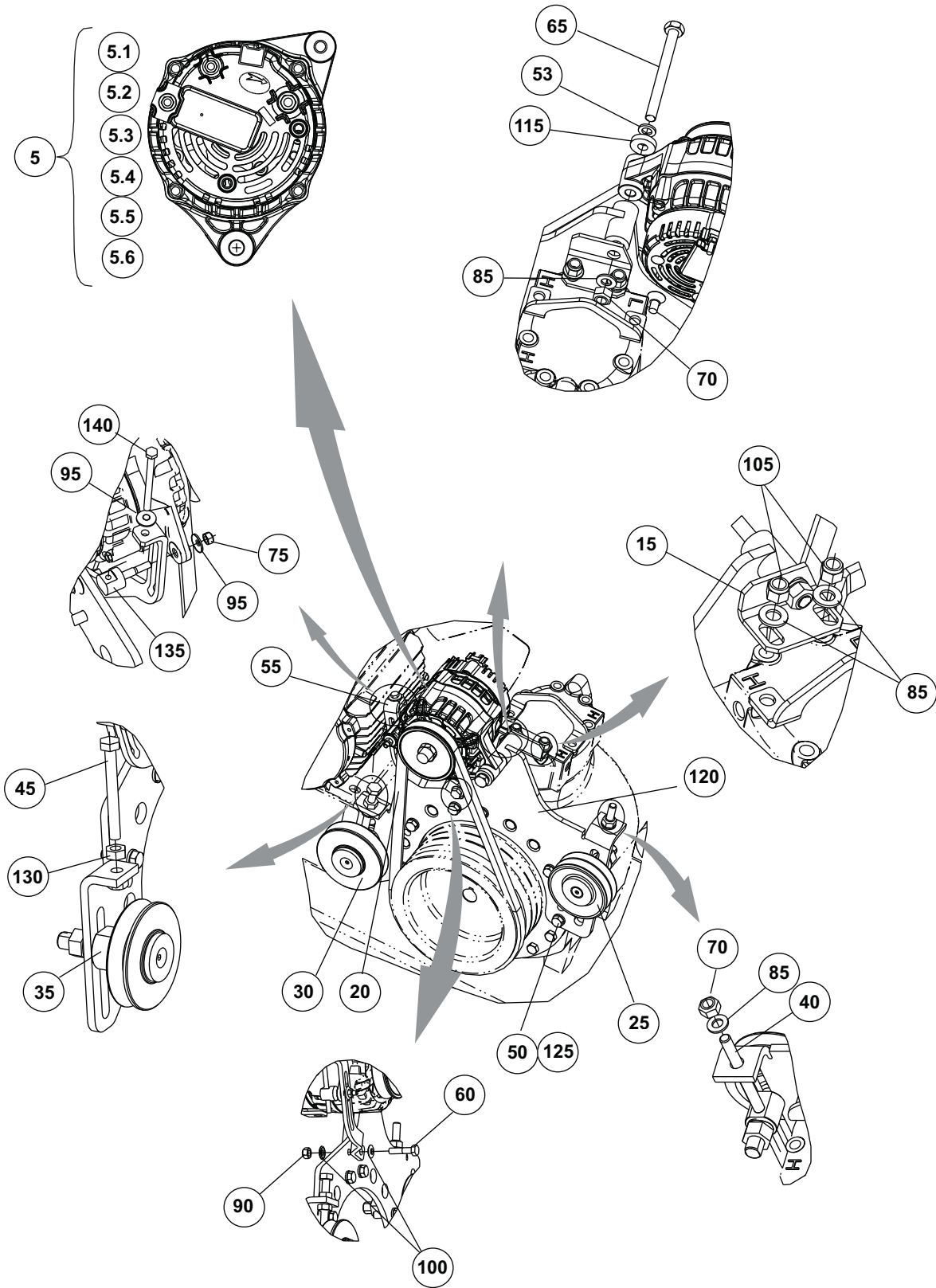
5.6 Pulley

5 Alternator



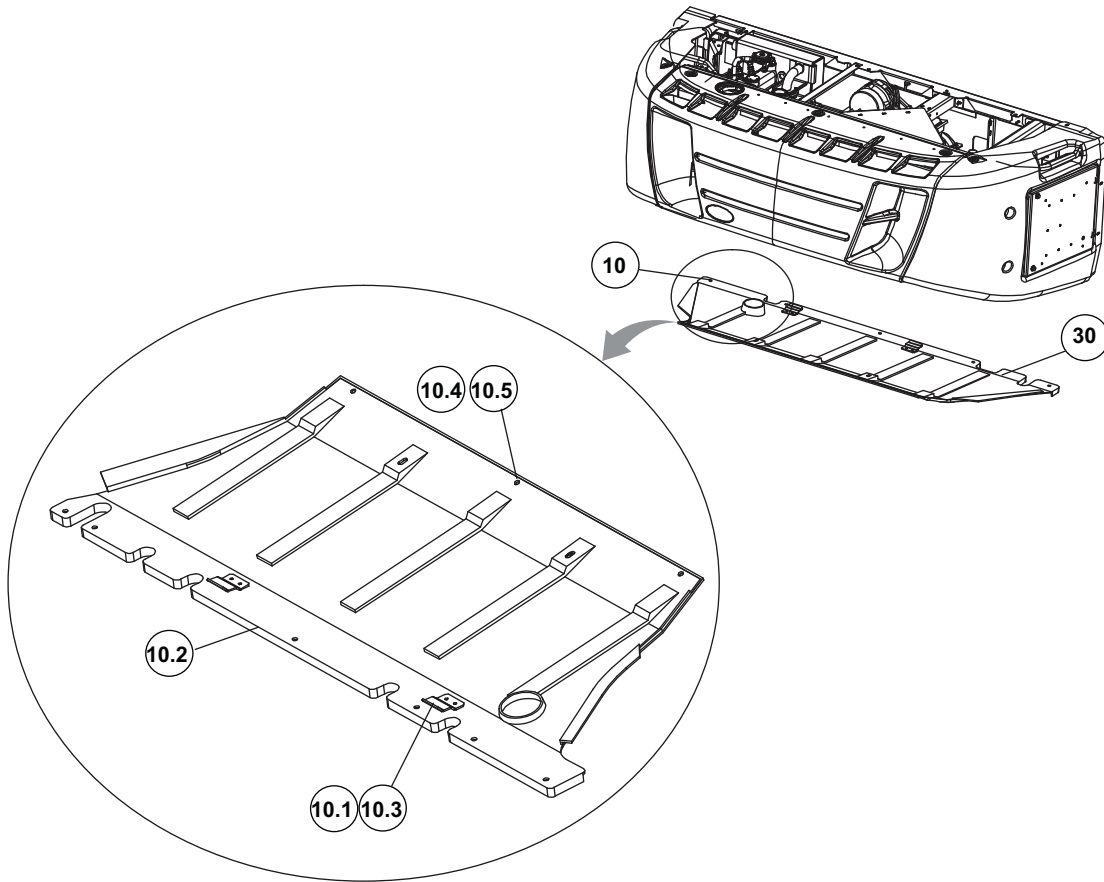
Item Number	Part Number	Part Description	Quantity
		Alternator Kit (560 only) - Includes:	
5	30-01114-27	Alternator, 70 AMP - Includes:	1
5.1	30-01114-50	Service Kit A, Hardware	1
5.2	30-01114-51	Service Kit B, D+ Harness	1
5.3	30-01114-57	Brush Holder Assembly, Regulator	1
5.4	30-01114-53	M16 CCW Nut Kit, 16 Washer	1
5.5	30-01114-58	Rear Plastic Cover, without Connector	1
5.6	50-01168-02	Pulley, 3.58 Diameter	1
20	50-01169-04	V-Belt, AX Cross Section	1
25	50-60156-01	Pulley, Long Shaft, 2-Groove	1
30	50-60005-02	Pulley Assembly	1
35	48-60010-04	Spacer, Alternator, 40MM x 43.8 Thick	2
50	34-00913-10	Screw, Cap, Hex Head, 3/8 - 16 x 1.25	6
55	68-70525-00	Bracket, Alternator	1
60	34-00876-30	Screw, Cap, Hex Head, M8 x 30MM	1
65	34-00873-70	Screw, Cap, Hex Head, M10 x 70MM	1
70	34-01184-60	Nut, Lock, M10 Nylock	1
75	34-01184-56	Nut, Lock, M6 Nylock	1
80	48-60451-00	Shaft, Tensioner	1
85	34-00944-10	Washer, Flat, M10	4
90	34-01184-58	Nut, Lock, M8 Nylock	1
95	34-60095-46	Washer, Lock, M6 x 18MM	2
100	34-60002-08	Washer, M8, Belleville	2
120	86-03165-00	Bracket, Alternator, Support	1
125	34-01279-12	Washer, Lock, 3/8 Spring	6
135	34-60081-100	Screw, Cap, Hex Head	2
145	34-00946-60	Nut, Hex, M10 - 1.50, 0.394	2
150	34-01152-80	Screw, Cap, Hex Head, M6 x 80MM	1

Alternator Kit (660 and 760)



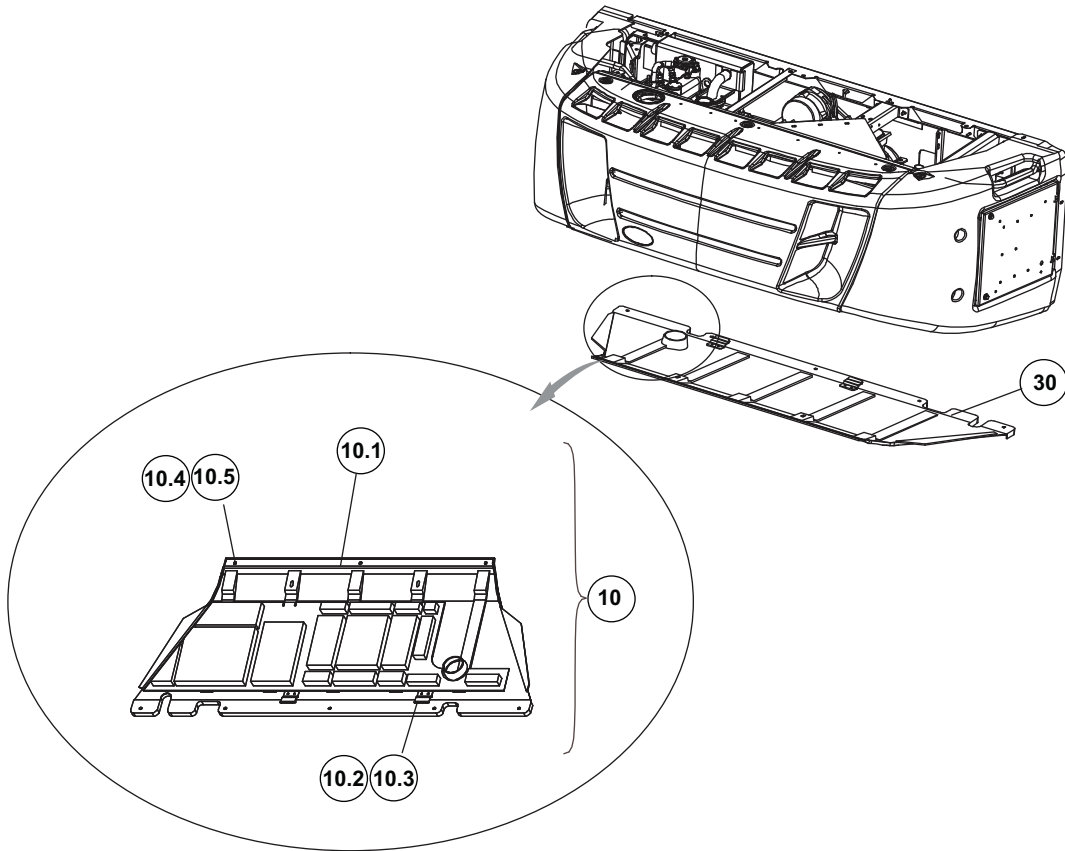
Item Number	Part Number	Part Description	Quantity
		Alternator Kit, Supra 660 and 760 - Includes:	
5	30-01114-27	Alternator, 70 Amp - Includes:	1
5.1	30-01114-50	Service Kit A, Hardware	1
5.2	30-01114-51	Service Kit B, D+ Harness	1
5.3	30-01114-57	Brush Holder Assembly, Regulator	1
5.4	30-01114-53	M16 CCW Nut Kit, 16 Washer	1
5.5	30-01114-58	Rear Plastic Cover, without Connector	1
5.6	50-01168-02	Pulley, 3.58 Diameter	1
15	68-60020-01	Support	1
20	50-01169-02	V-Belt, AX, Cross Section	1
25	50-60156-01	Pulley Assembly	1
30	50-60005-02	Pulley Assembly	1
35	48-60010-06	Spacer, Alternator, 40mm x 26.7 Long	1
40	86-60365-01	Tie Rod, Adjusting	1
45	34-01256-90	Screw, Cap, Hex Head, M10 x 90mm, 3.543	1
50	34-00913-10	Screw, Cap, Hex Head, 3/8 - 16 x 1.25	6
53	34-00945-10	Washer, Lock, 10 WI	1
55	68-70557-00	Bracket, Alternator, 6mm Thick	1
60	34-00876-35	Screw, Cap, Hex Head, M8 x 35mm, 1.38	1
65	34-01261-10110	Screw, Cap, Hex Head, M10 x 110mm, 4.331	1
70	34-01184-60	Nut, Lock, M10 Nylock	2
75	34-01184-56	Nut, Lock, M6 Nylock	1
85	34-00944-10	Washer, Flat, M10	5
90	34-01184-58	Nut, Lock, M8 Nylock	1
95	34-60095-46	Washer, M6 x 18mm	2
100	34-60002-08	Washer, M8 Belleville	2
105	34-00361-13	Nut, Self Lock, 3/8 - 16	2
120	86-60372-04	Bracket, Alternator	1
125	34-01279-12	Washer, Flat, 5/16	6
130	34-00946-60	Nut, Hex, M10 - 1.50, 0.394	1
135	48-60451-00	Shaft Tensioner	2
140	34-01152-80	Screw, Cap, Hex Head, M6 x 80mm	1

Bottom Panel Kit - Supra 560



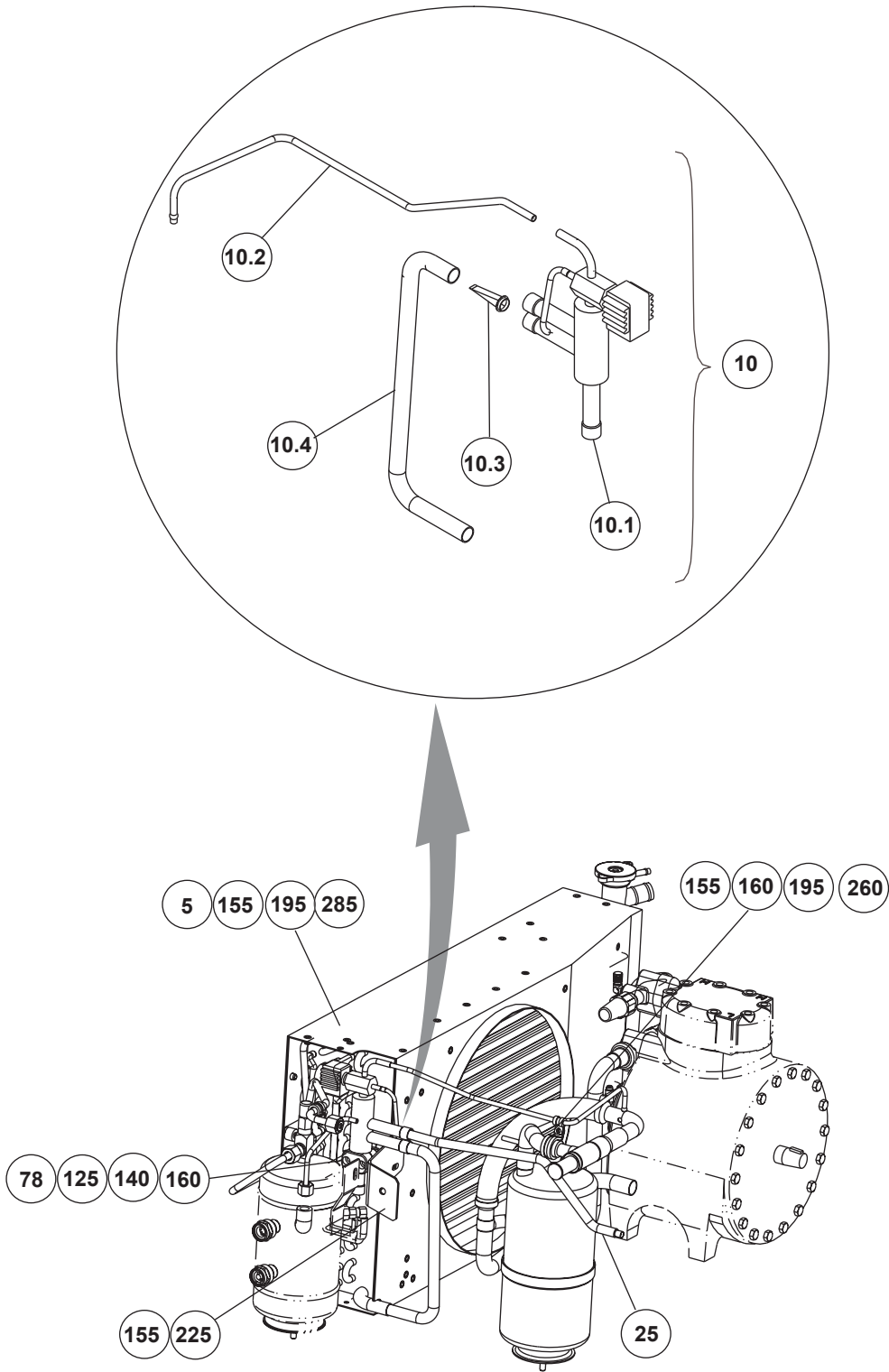
Item Number	Part Number	Part Description	Quantity
	77-60856-00_D	Bottom Panel Kit (560) - Includes:	
10	79-60648-00	Panel Assembly, 450/550 Ph3 - Includes:	1
10.1	34-00774-10	Rivet, Blind, 0.189 Diameter	4
10.2	58-60686-00	Panel, Bottom, 450/550 Ph3	1
10.3	68-70358-00	Bracket, 3mm Thick, Aluminum	2
10.4	34-60044-01	Screw, M6 x 35	12
10.5	58-60306-06	Washer, Nylon, M6 - 18	12
30	58-00079-00	Sta-Strap, Cable Clamp, 0 - 1.97 Diameter	1

Bottom Panel Kit - Supra 660 and 760

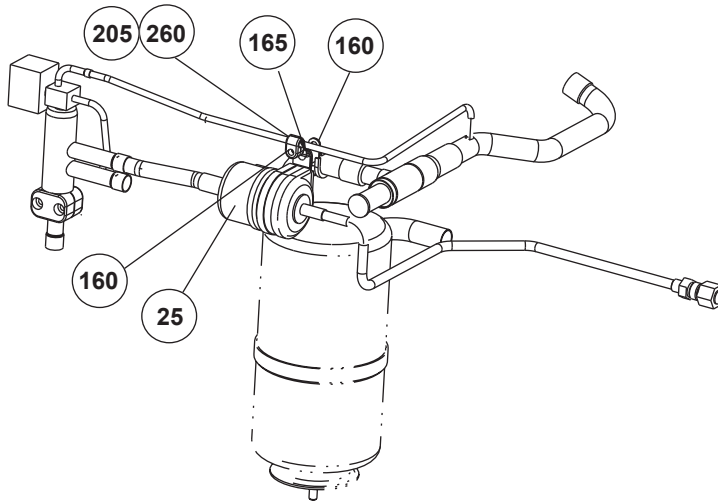
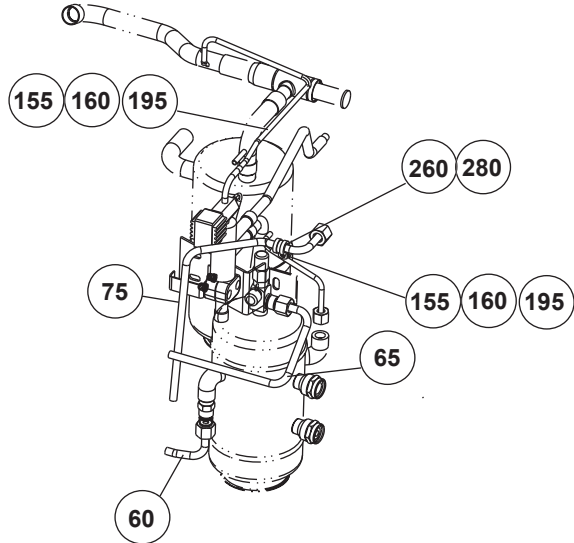
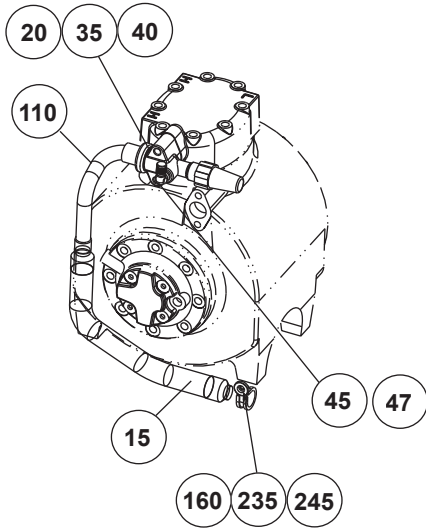


Item Number	Part Number	Part Description	Quantity
		Bottom Panel Kit (660/760) - Includes:	
10	79-60547-06	Bottom Panel Kit - Includes:	1
10.1	58-60576-00	Bottom Sheet	2
10.2	68-70358-00	Bracket, 3mm Thick, Aluminum	4
10.3	34-00774-10	Rivet, Blind, 0.189 Diameter	12
10.4	34-01266-25	Screw, Cap, Hex Head	12
10.5	58-60306-06	Washer, Nylon, M6 - 18	1
30	58-00079-00	Sta-Strap, Cable Clamp, 0 - 4.00 Diameter	1

Condenser (Supra 560 without Standby only)

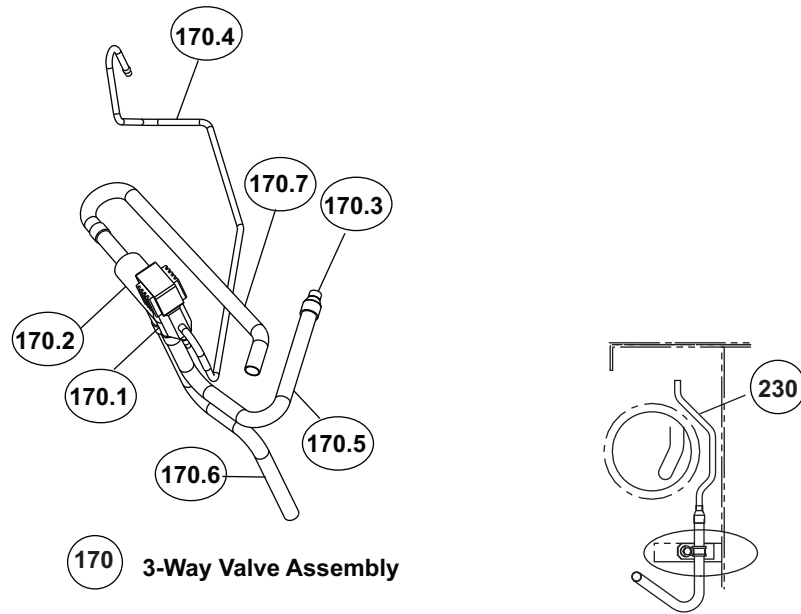


Condenser (Supra 560 without Standby only)

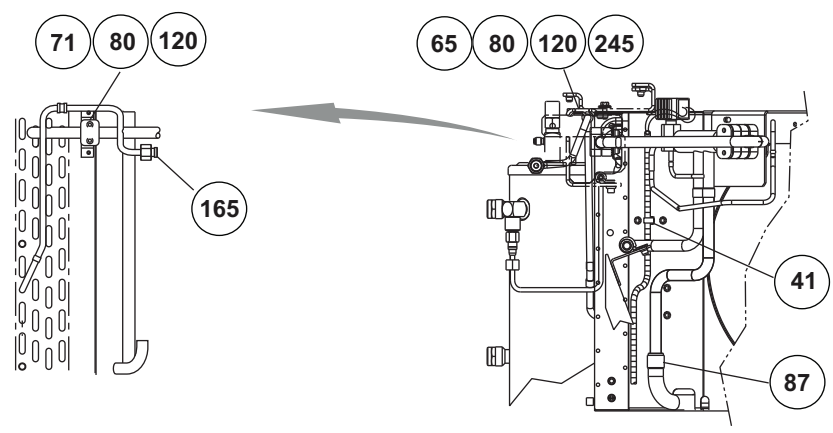
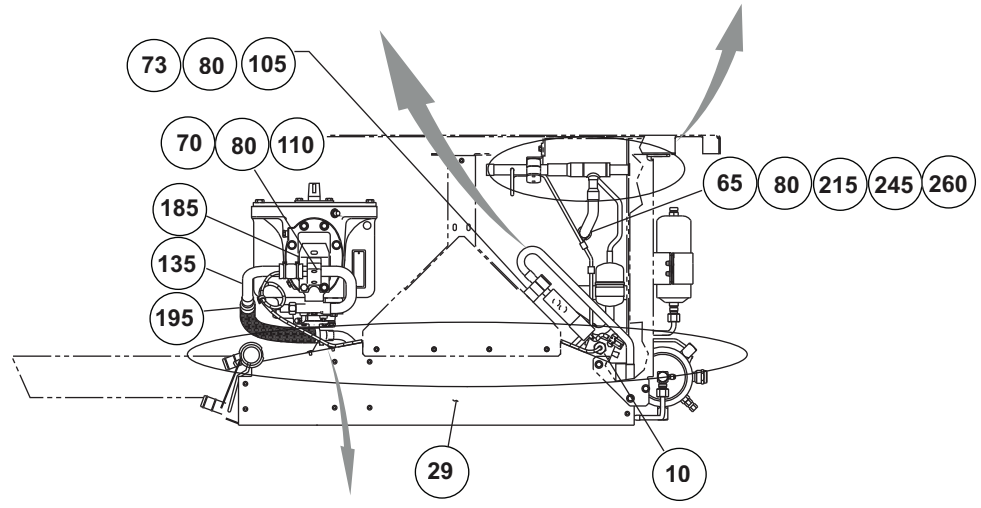


Item Number	Part Number	Part Description	Quantity
5	08-60079-05	Coil, Condenser/Radiator	1
10	81-02657-00	Tube Assembly, Valve 3-Way	1
10.1	14-00337-02	Valve, 3-Way, 5/8, Size	1
10.2	56-03906-00	Tube, Equalizer, 1/4 x 0.028W, Copper	1
10.3	14-00176-03	Strainer, 40 Mesh, 5/8	1
10.4	56-03905-00	Tube, Discharge, 5/8 x 0.040W, Copper	1
15	73-60013-04	Vibrabsorber, Discharge	1
20	14-00430-03	Valve, Service, 3/4	1
25	56-03907-00	Tube, Hot Gas, 1/2 x 0.035 W, Copper	1
35	17-44161-00	Gasket, Discharge Valve	1
40	34-00302-14	Screw, Cap, Hex Head, 5/16 - 18 x 1.75	2
45	40-00102-04	Elbow, 90 Street, 1/4 Flare x 1/8 NPT	1
47	40-00086-04	Cap, Seal, 1/4 Female Flare	1
60	82-60126-00	Tube Assembly	1
65	82-60125-00	Tube Assembly	1
75	82-60142-00	Tube Assembly	1
78	68-08083-00	Spacer, 0.190 Thick, Aluminum	1
110	56-60573-00	Tube, Copper, 3/4 x 0.05 W, Copper	1
125	44-00285-58	Clamp, Tube, 5/8, 2 Pc	1
140	34-00967-60	Screw, Cap, Hex Head, M6 x 60MM	2
155	34-01266-20	Screw, Hex Head, SEMS, M6 x 20MM, Slotted	9
160	34-60002-06	Washer, M6 Bellville	9
195	34-01184-106	Nut, Lock, M6 Nylock	7
205	34-00967-25	Screw, Cap, Hex Head, M6 x 25MM	1
225	68-60548-00	Bracket	1
235	34-01336-25	Screw, Cap, Hex Head, M6 x 25MM	2
245	48-60189-06	Spacer	1
260	34-00373-01	Clamp, Tube, 0.25 Diameter, Cushioned	1
280	34-00373-03	Clamp, Tube, 0.38 Diameter, Cushioned	1
285	34-60095-46	Washer, Lock, M6 x 18MM	4

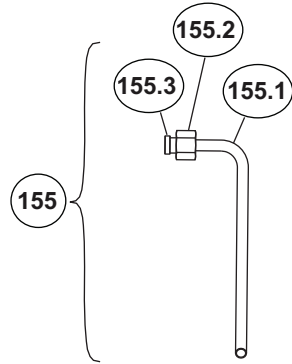
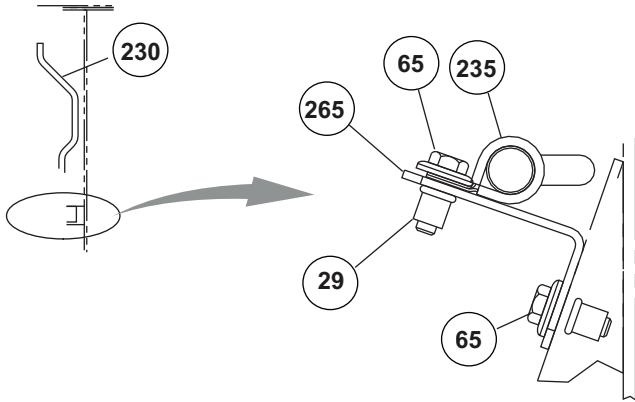
Condenser Kit - Supra 660 and 760



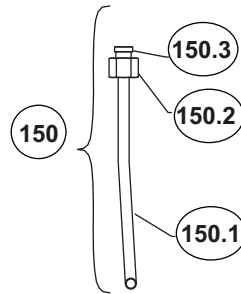
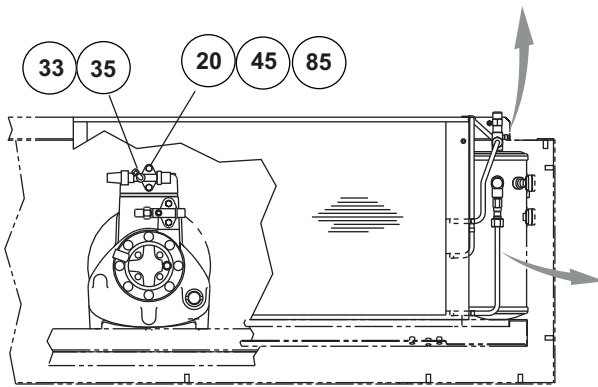
170 3-Way Valve Assembly



Condenser Kit - Supra 660 and 760

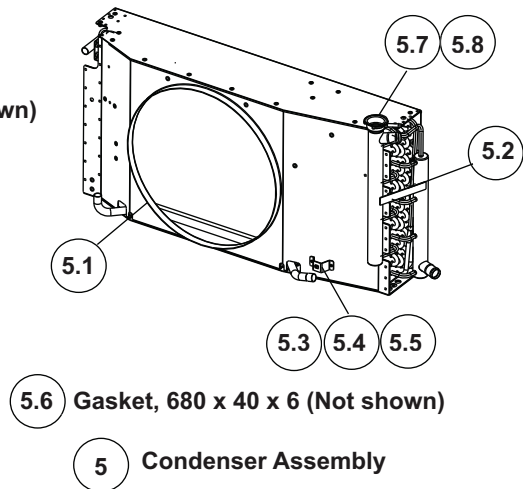


**Tube Assembly
Liquid Line**



**Tube Assembly
Liquid Line**

- 74 Screw, Machine, Hex Head, M5 x 16MM (Not shown)
- 76 Washer, Lock, M6 x 14MM (Not shown)
- 81 Washer, Belleville, M6 (Not shown)
- 87 Bushing, Flush, 7/8 x 5/8 (Not shown)



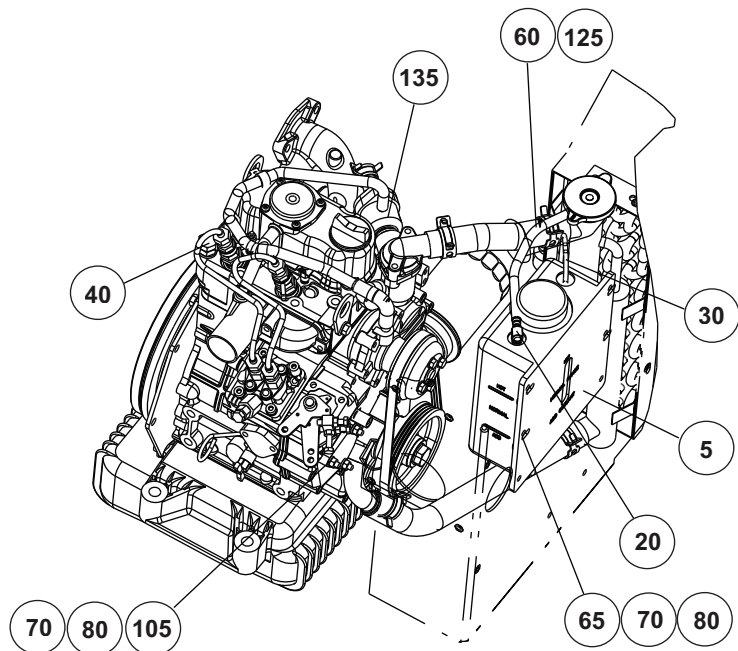
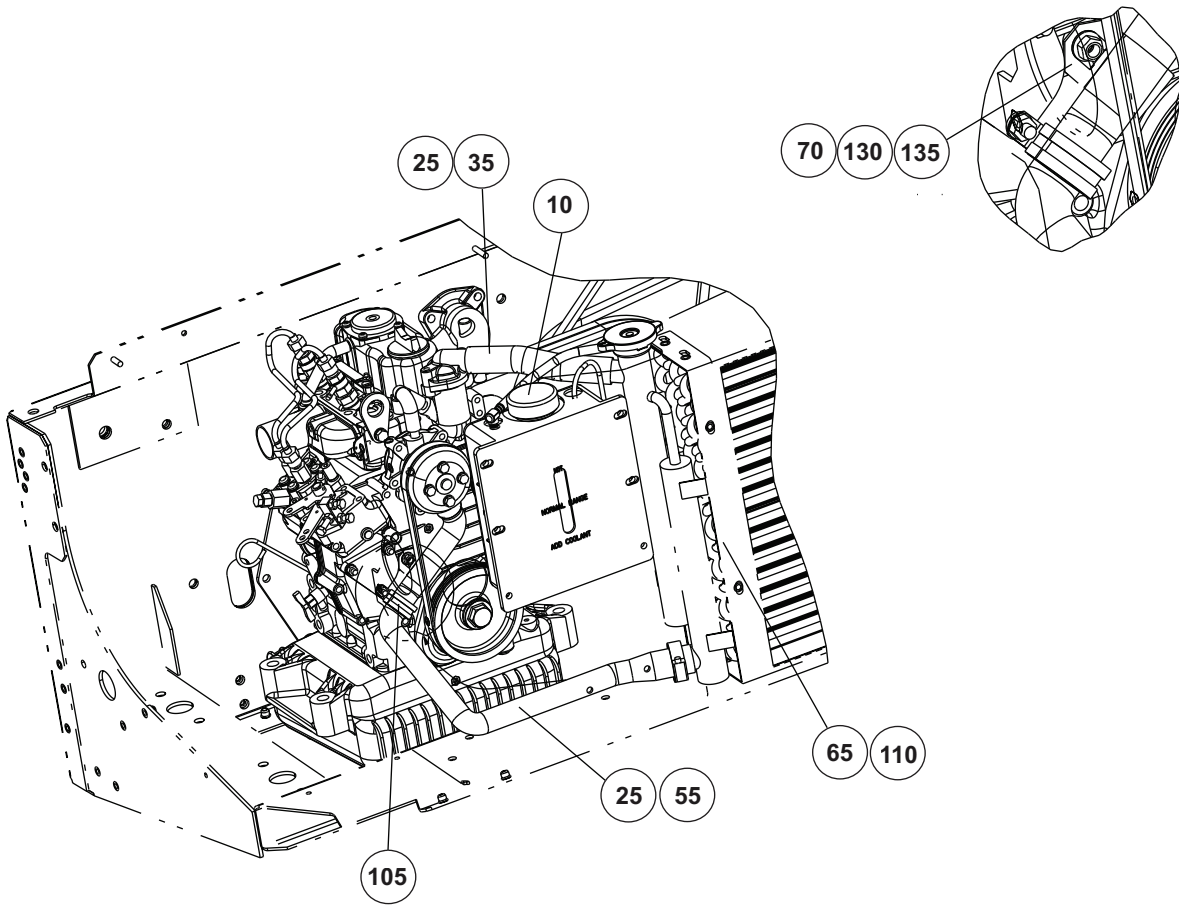
5.6 Gasket, 680 x 40 x 6 (Not shown)

5 Condenser Assembly

Item Number	Part Number	Part Description	Quantity
		Condenser Kit (660/760 without Standby) - Includes:	
5	79-60724-02	Condenser Assembly - Includes:	1
5.1	86-61286-02	Fan Deck, Condenser	1
5.2	08-60191-01	Coil, 4 Rows x 17 Tubes	1
5.3	68-70575-00	Bracket	1
5.4	34-60098-51	Nut, Retainer, M5	1
5.5	34-00774-10	Rivet, Blind, 0.189 Diameter	2
5.6	42-00424-12	Gasket, 680 x 40 x 6 Thick	2
5.7	30-60041-00	Cap, Radiator, 1000 Mbars	1
5.8	42-60042-00	Gasket, Radiator Cap	1
10	58-00858-00	Tube, Slit, 1/4, Bulk Corrugated	0.417
20	14-00430-01	Valve, Service, 7/8, Tube	1
29	34-06051-104	Rivnut, M6	1
33	40-00086-04	Cap, Seal, 1/4, Female Flare	1
35	40-00102-04	Elbow, 90 Street, 1/4 Flare x 1/8 NPT	1
43	22-04206-00	Wire Tie, Push In	1
45	34-00302-14	Screw, Cap, Hex Head, 5/16 - 18 x 1.75	2
65	34-01266-20	Screw, Hex Head, Sems, M6 x 20MM, Slotted	10
70	34-00967-60	Screw, Cap, Hex Head, M6 x 60MM	4
71	34-00967-50	Screw, Hex Head, M6, Pitch 1.00, 8.8	2
73	34-00967-75	Screw, Cap, Hex Head, M6 x 75MM	2
74	34-60000-16	Screw, Machine, Hex Head, M5 x 16MM	1
76	34-60095-45	Washer, Lock, M5 x 16MM	1
80	34-60095-27	Washer, Lock, M6 x 14MM	7
81	34-60002-06	Washer, M6, Belleville	2
85	17-44161-00	Gasket, Discharge Valve	1
87	40-00201-10	Bushing, Flush, 7/8F x 5/8S	1
105	44-00285-66	Clamp, Tube, 5/8	2
110	44-00285-60	Clamp, Tube, 7/8	1
112	44-00285-58	Clamp, Tube, 5/8	1
120	34-00373-03	Clamp, Tube, 0.38 Diameter, Cushioned	1
135	56-60413-01	Tube, Discharge, 7/8 x 0.045 W, Copper	1
150	81-60170-00	Tube Assembly, Tube, Liquid Line - Includes:	1
150.1	56-60792-00	Tube, Liquid Line, 3/8 x 0.028W, Copper	1
150.2	40-60009-02	Nut, 3/8	1
150.3	40-60008-02	Sleeve, 3/8	1
155	81-60171-00	Tube Assembly, Tube, Liquid Line - Includes:	1
155.1	56-60793-00	Tube, Liquid Line, 3/8 x 0.028W, Copper	1
155.2	40-60009-02	Nut, 3/8	1
155.3	40-60008-02	Sleeve, 3/8	1

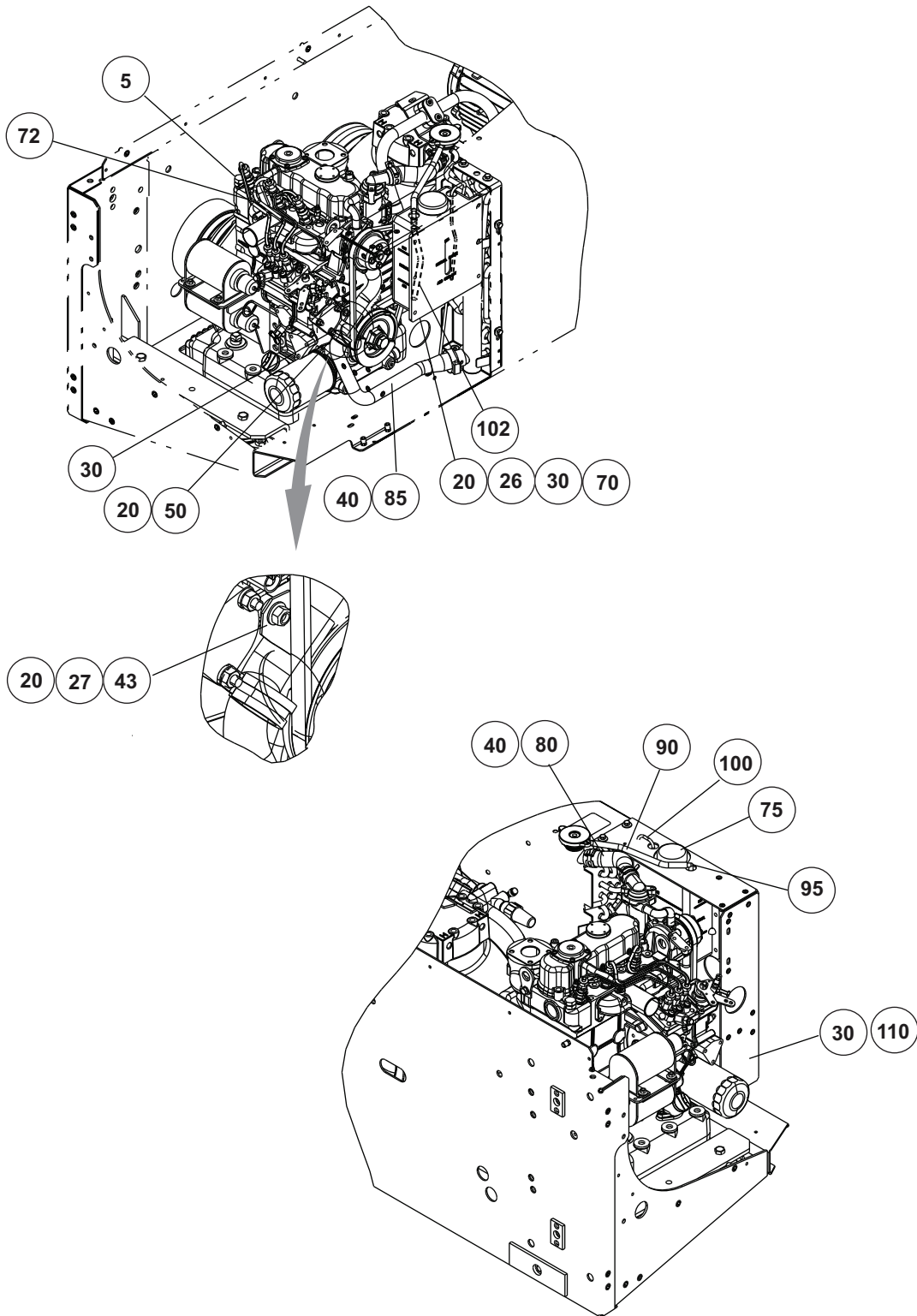
Item Number	Part Number	Part Description	Quantity
170	81-02684-00	Valve Assembly, 3-Way, without Muffler - Includes:	1
170.1	14-00176-03	Strainer, 40 Mesh, 5/8	1
170.2	14-00337-02	Valve, 3-Way, 5/8, Size	1
170.3	40-00130-08	Coupling, 5/8C x 3/8C	1
170.4	56-03822-00	Tube, Equalizer, 1/4 x 0.028W, Copper	1
170.5	56-03817-00	Tube, 5/8 x 0.040W, Copper	1
170.6	56-03975-00	Tube, Discharge Line, 5/8 x 0.040W, Copper	1
170.7	56-03974-00	Tube, Discharge Line, 5/8 x 0.035W, Copper	1
185	67-01054-00	Bracket, Tube, 8 GA, 0.164 HRS	1
195	73-60010-00	Vibrabsorber, 7/8 x 7/8	1
200	44-01134-14	Clamp, Cushioned, 0.88 Diameter, High Temperature	1
215	34-00373-51	Clamp, Tube, 0.25 Diameter, Cushioned	2
230	56-60656-03	Tube, Hot Gas, 3/8 x 0.028 W, Copper	1
235	44-01134-10	Clamp, Cushioned, 0.62 Diameter, High Temperature	1
245	34-01184-56	Nut, Lock, M6 Nylock	2
260	34-00373-61	Clamp, Tube, 0.88 Diameter, Cushioned	1
265	68-07817-00	Bracket, Tube	1

Coolant Kit - Supra 560



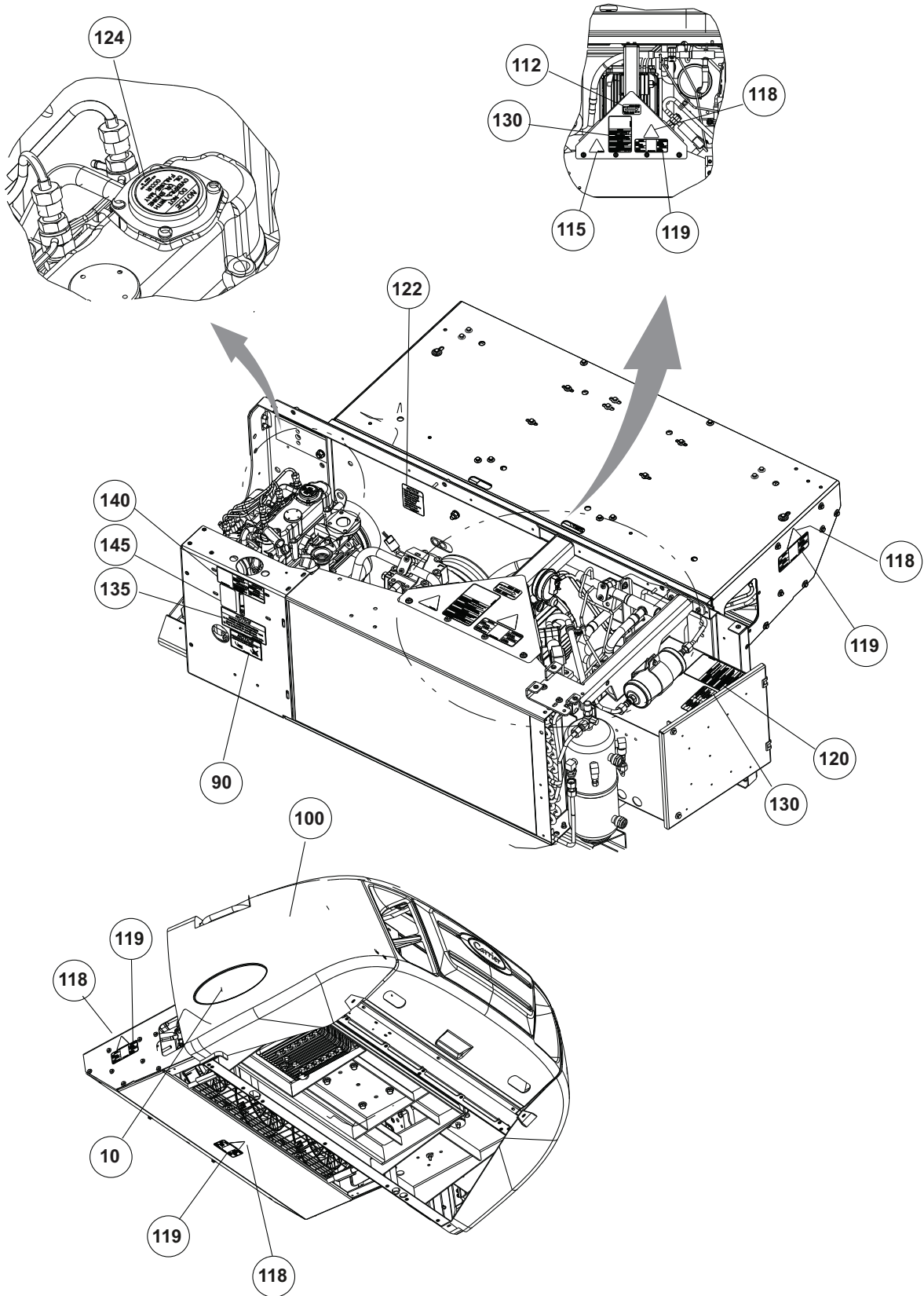
Item Number	Part Number	Part Description	Quantity
		Coolant Kit, Supra 560 - Includes:	
5	58-00735-01	Bottle, Coolant Recovery	1
10	58-00743-00	Cap, Coolant Bottle	1
20	58-60094-02	Elbow, Adapter	1
25	44-00045-03	Clamp, Hose, 0.88-1.75, Worm Type	3
30	22-00398-00	Tube, Clear, Purchase Length	3
35	58-60039-08	Hose, Upper Coolant	1
40	12-01145-04	Thermistor, Probe, Engine Temperature - Includes:	1
40.1	22-50078-02	Connector, 2-Pin	1
55	58-60703-00	Hose, Water	1
60	58-00658-00	Hose, Fuel, 5/16	0.4
65	34-01266-20	Screw, Hex Head, Sems, M6 x 20MM, Slotted	10
70	34-01184-56	Nut, Lock, M6 Nylock	5
80	34-60002-06	Washer, M6 Belleville	4
105	34-00373-13	Clamp, Tube, 0.75 Diameter, Cushioned	1
110	86-03204-00	Bracket Assembly, Water Coolant Bottle	1
125	22-01049-00	Tube, Vinyl, 5/16 x Purchase Length	0.25
130	34-60095-27	Washer, Lock, M6 x 14mm OD	1
135	68-70573-00	Bracket	1

Coolant Kit - 660 and 760



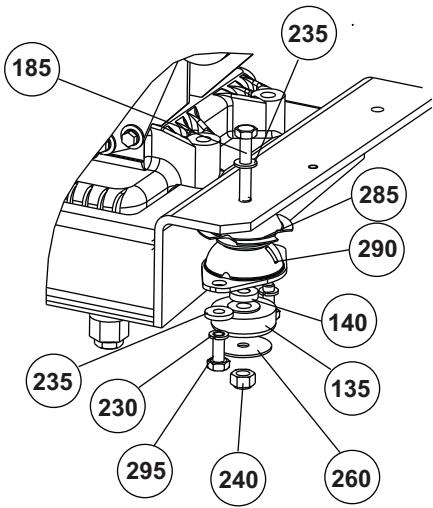
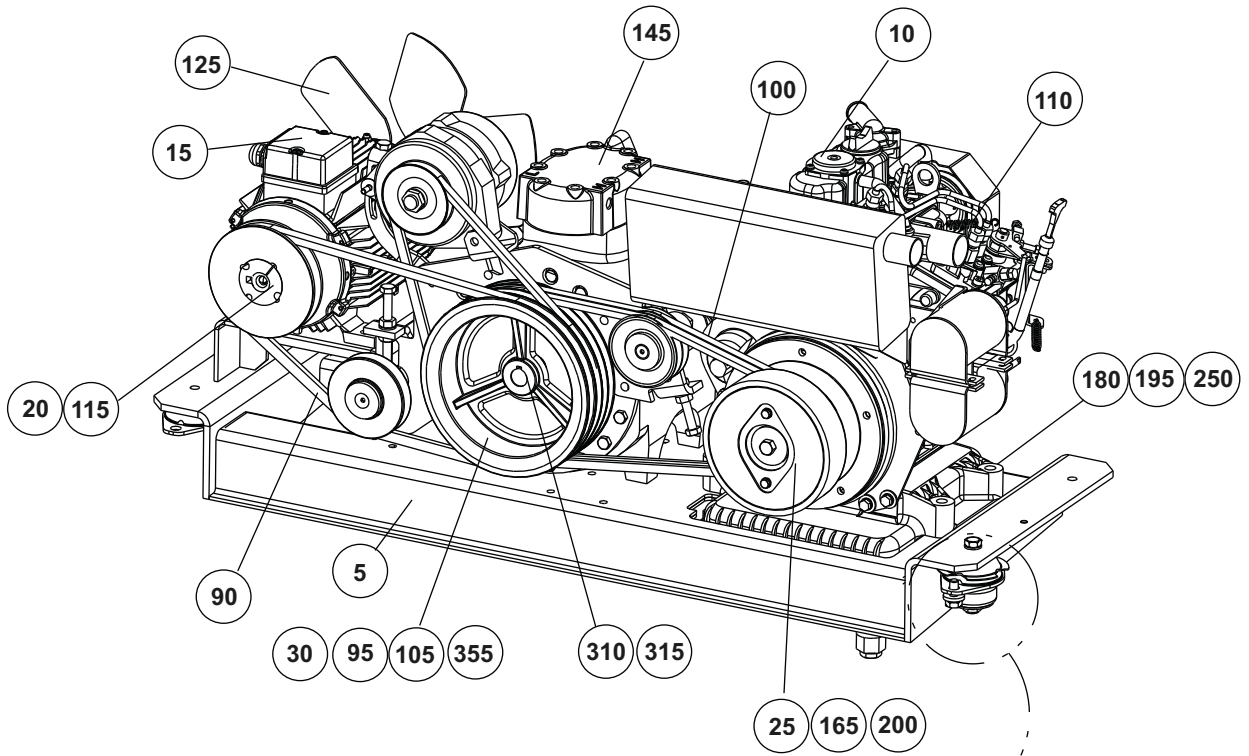
Item Number	Part Number	Part Description	Quantity
		Coolant Kit (Supra 660, 760) - Includes:	
5	12-01145-04	Thermistor, Probe, Engine Temperature	1
20	34-01184-56	Nut, Lock, M6 Nylock	5
26	34-60002-06	Washer, M6 Belleville	4
27	34-60095-27	Washer, Lock, M6 x 14mm OD	1
30	34-01266-20	Screw, Hex Head, Sems M6 x 20mm, Slotted	10
40	44-00045-03	Clamp, Hose, 0.88-1.75, Worm Type	3
43	68-70573-00	Bracket, 1.5mm Thick	1
50	34-00373-13	Clamp, Tube, 1.00 Diameter, Cushioned	1
70	58-00735-01	Bottle, Coolant Recovery	1
72	58-00858-00	Tube, Slit, 1/4, Bulk Corrugated	0.5
75	58-00743-00	Cap, Coolant Bottle	1
80	58-60717-00	Hose, Water	1
85	58-60701-00	Hose, Water	1
90	58-00658-00	Hose, Fuel, 5/16	0.8
95	58-60094-02	Elbow, Adapter	1
100	22-00398-00	Tube, Clear, Purchase Length	3
102	22-01049-00	Tube, Vinyl, 5/16 x Purchase Length	1
110	86-03174-00	Bracket, Filter	1

Decal Kit

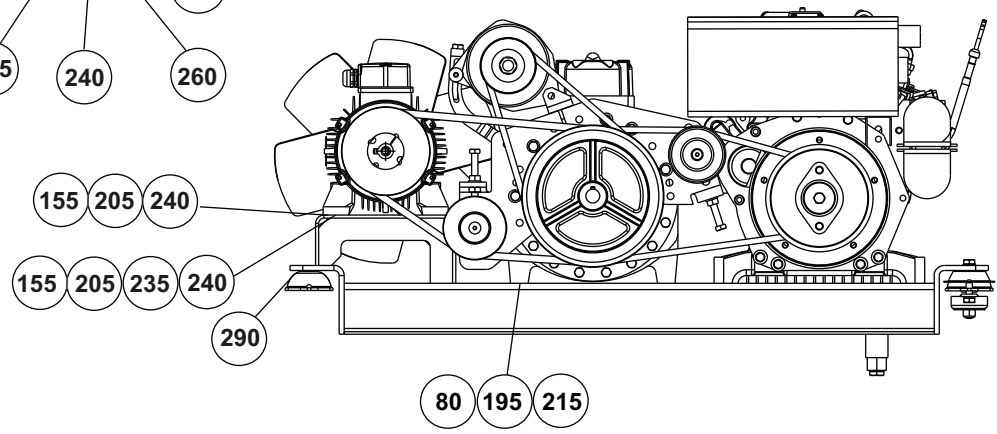


Item Number	Part Number	Part Description	Quantity
10	62-60949-40	Decal, Supra 560	1
	62-60949-41	Decal, Supra 660	
	62-60949-42	Decal, Supra 760	
90	62-04174-00	Decal, Supra	1
100	62-02140-00	Decal, Service, Action Line	1
112	62-04171-00	Decal, Rotation	1
115	62-04157-00	Decal, Danger, Belt Rotation	1
118	62-04156-00	Decal, Warning, Beware of Fan	4
119	62-04158-01	Decal, Warning, AutoStart	4
120	62-04160-00	Label, R-404A/Compressor Oil	1
122	62-04172-00	Decal, Caution, Belt Tension	1
124	62-04173-00	Decal, Oil Overfill	1
130	62-04164-00	Label, Warning, Explosion	2
135	62-04154-00	Decal, Radiator Coolant Instructions	1
140	62-04155-00	Decal, Warning, Radiator Cap	1
145	62-04074-00	Decal, Extended Life Antifreeze	1

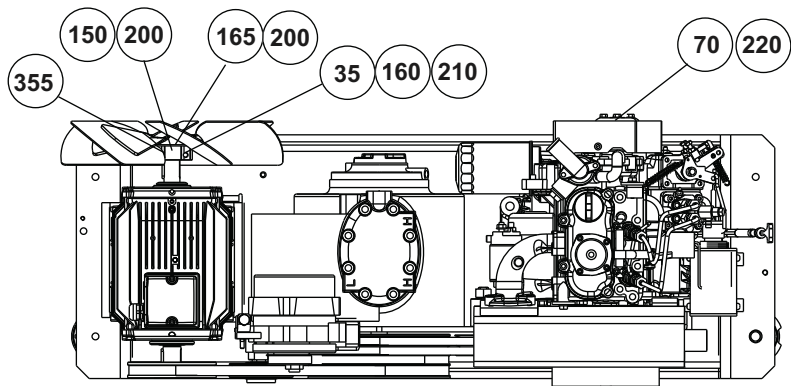
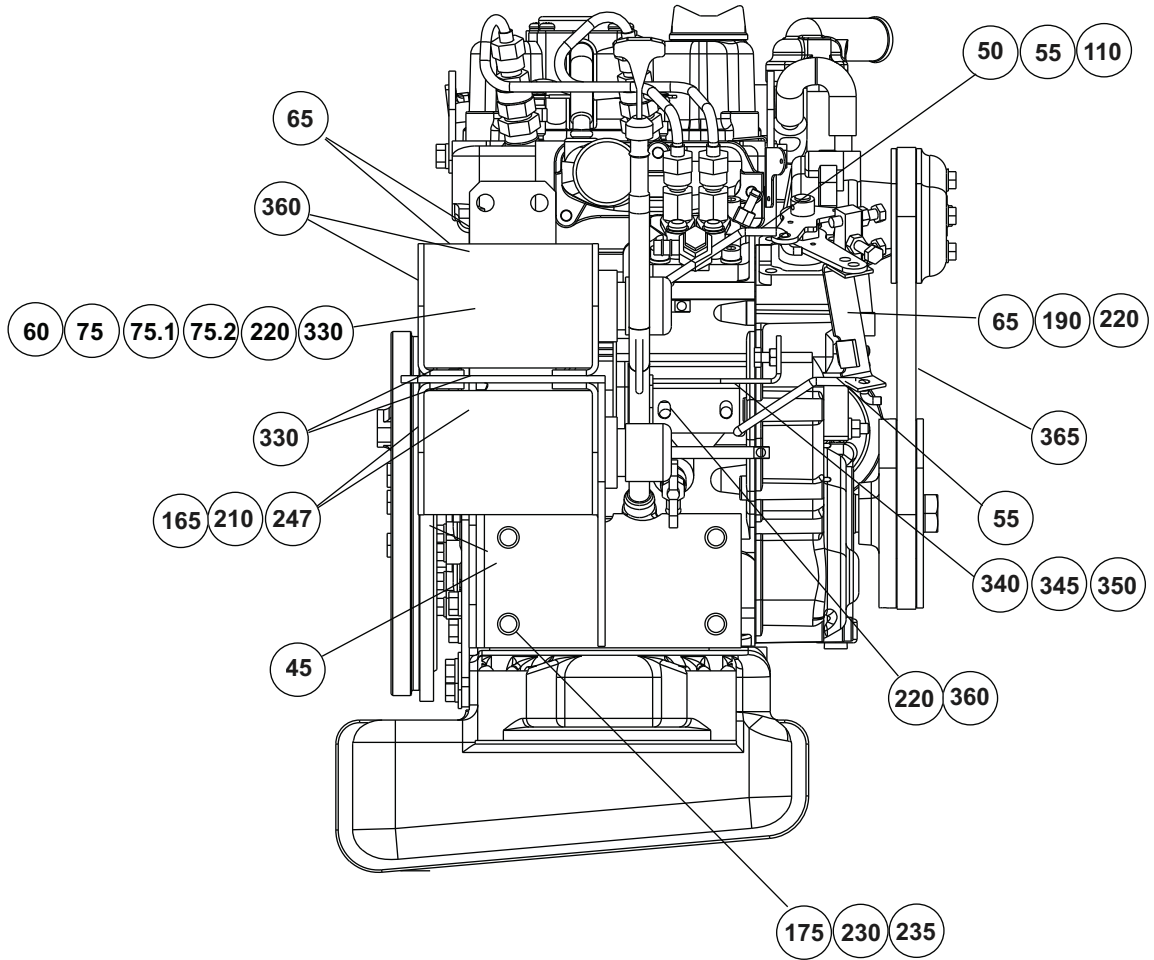
Drive Kit - Supra 560



335 Washer, Lock, M6 x 18mm (Not shown)



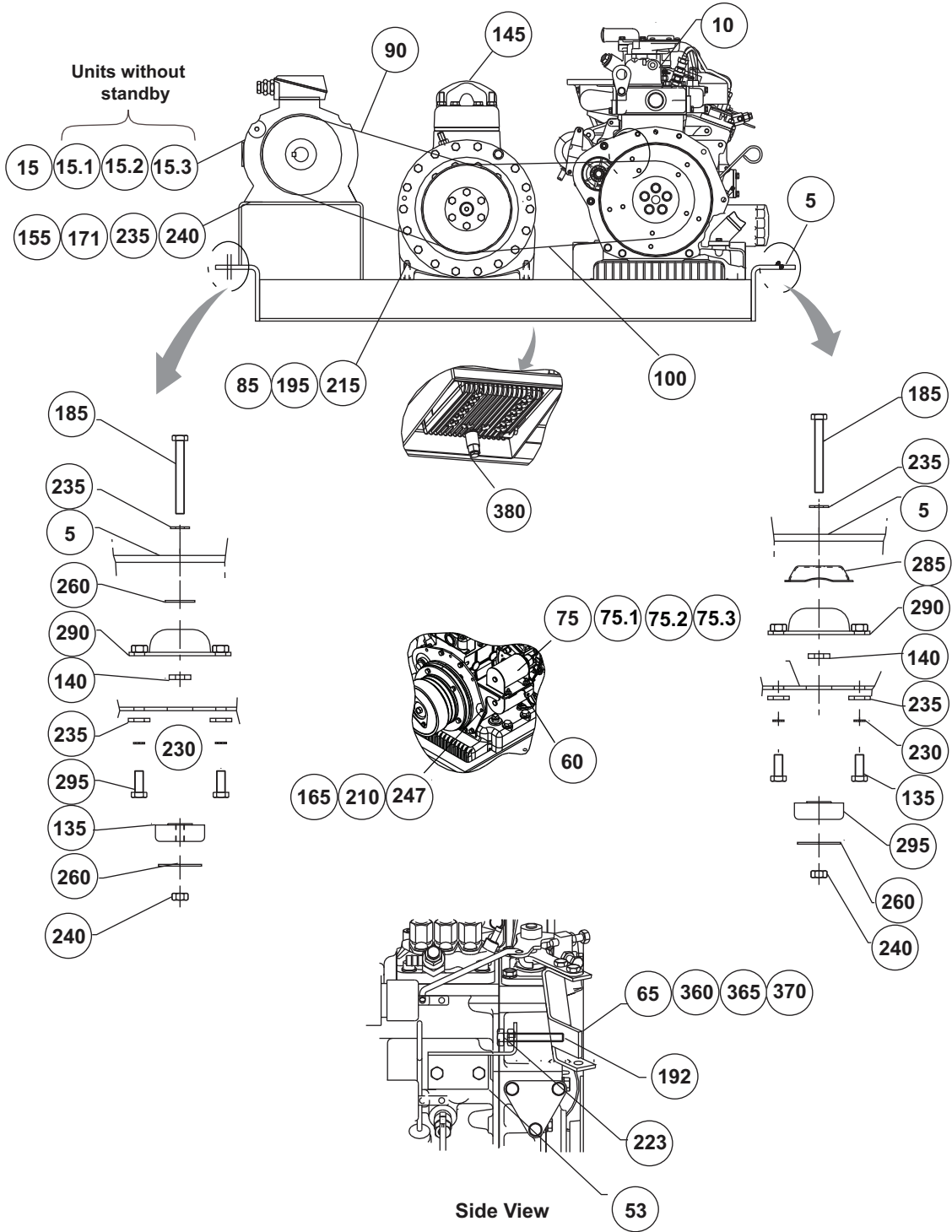
Drive Kit - Supra 560



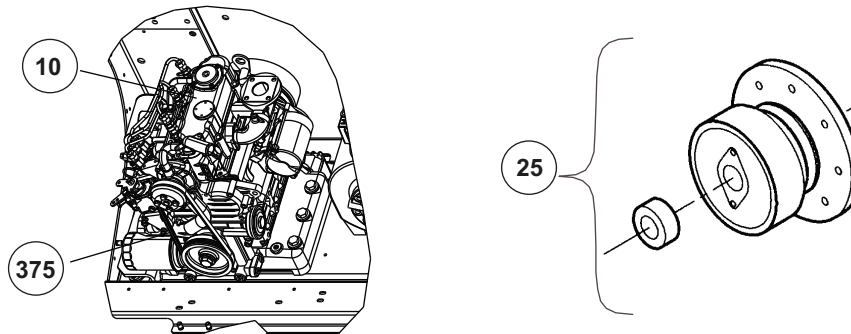
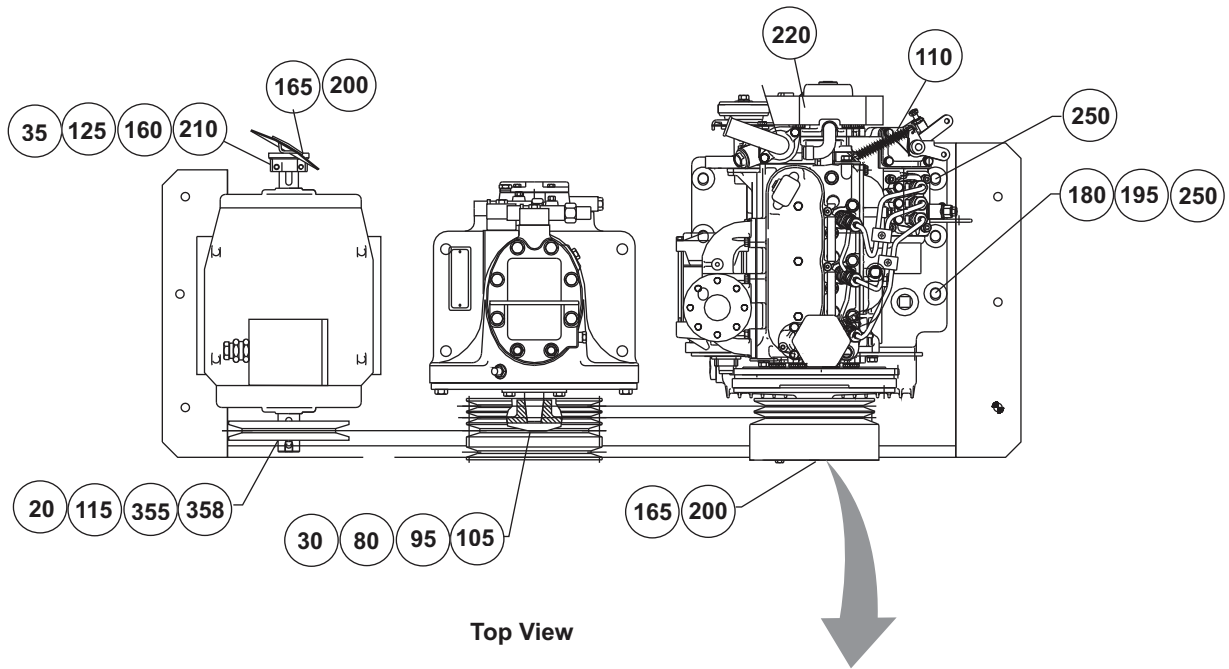
Item Number	Part Number	Part Description	Quantity
		Drive Kit, Supra 560 - Includes:	
5	86-60837-01	Power Tray	1
10	26-60001-23	Engine Assembly, Z482-E2B-CTD-2	1
15	54-00141-01	Motor, Standby, Shell Only	1
20	50-60016-04	Pulley, Single Groove	1
25	50-01179-01	Clutch Assembly, 2 A Belt, 112	1
30	50-60175-00	Pulley, Compressor, Oasis 100	1
35	48-60001-00	Bushing, Condenser Fan	1
45	86-02876-01	Bracket Assembly, Solenoid	1
50	73-00323-01	Rod, Linkage, Stop Control	2
55	44-01049-01	Clip, Retaining, 0.170/0.185 Rod	2
60	67-60843-00	Fitting	2
65	68-07311-00	Bracket, Solenoid	1
75	10-66810-00	Solenoid, 12 Volts, DC - Includes:	2
75.1	10-66810-01	Boot	1
75.2	10-66810-02	Plunger Assembly	1
75.3	22-50078-02SV	Connector, 2-Wire, Mates with 22-50078-01SV	1
80	34-00678-12	Screw, Cap, Hex Head, 1/2-13 x 1.50	4
90	50-01170-00	V-Belt, BX Cross Section	1
95	48-60172-00	Washer, Special, 8 x 7 Thick	1
100	50-01169-51	V-Belt, AX Matched Set	2
105	34-00615-10	Screw, Cap, Hex Head, 5/16-18 x 1.25	1
110	73-60005-00	Spring, Speed Control	1
115	04-00049-08	Bushing, Hub, 1.10 Bore	1
125	38-60004-01	Fan, 350 Diameter Blades	1
135	73-00096-02	Shockmount, 90 Shore	4
140	48-60011-01	Spacer, 10.5 x 25 x 6 Thick	4
145	18-60000-05	Compressor, 05 K2, R404A	1
155	34-00873-40	Screw, Cap, Hex Head, M10 x 40mm	4
160	34-00825-02	Screw, Cap, Socket Head, M8 x 30mm	2
165	34-00876-20	Screw, Cap, Hex Head. M8 x 20mm	10
175	34-00961-25	Screw, Cap, Hex Head, M10 x 25mm	4
180	34-00740-80	Screw, Cap, Hex Head, M12-1.75 x 80mm	4
185	34-00873-90	Screw, Cap, Hex Head, M10 x 90mm	4
190	34-01152-16	Screw, Cap, Hex Head, M6 x 16mm	2
195	34-01249-23	Spacer, M12 x 30 x 4 Thick	8
200	34-00945-08	Washer, Lock, M8 Spring	9
205	34-01249-21	Spacer, M10 x 25 x 6 Thick	4
210	34-60002-08	Washer, M8 Belleville	4
215	34-00368-15	Washer, Lock, 1/2 Spring	4
220	34-60095-27	Washer, Lock, M6 x 14mm	5
230	34-00945-10	Washer, Lock, 10 WL	12
235	34-00944-10	Washer, Flat M10	16
240	34-01184-60	Nut, Lock, M10 Nylock	8
247	34-01184-58	Nut, Lock, M8 Nylock	1
250	34-01184-62	Nut, Lock, M12 Nylock	4
260	34-00890-11	Washer, Special, 0.420 x 2.25	6

Item Number	Part Number	Part Description	Quantity
		Drive Kit, Supra 560 (continued)	
285	73-00154-01	Shockmount, Cover	2
290	73-00154-02	Shockmount, 60 Shore, Rubber	4
295	34-00873-25	Screw, Cap, Hex Head, M10 x 25mm	8
315	34-00368-12	Washer, Lock, 5/16 Spring	1
330	34-01184-56	Nut, Lock, M6 Nylock	6
335	34-60095-46	Washer, Lock, M6 x 18mm	4
340	86-02963-00	Bracket, Engine, Speed Adjustable	1
345	34-01152-30	Screw, Cap, Hex Head, M6 x 30mm	1
350	34-00946-06	Nut, Hex, M6 x 1.00	1
355	34-00662-12	Washer, Plain, 5/16 Medium, 0.062 Thick	4
360	34-00967-20	Screw, Cap, Hex Head, M6 x 20mm	1
365	50-60329-06	Belt, Poly-V	1

Drive Kit - Supra 660 and 760



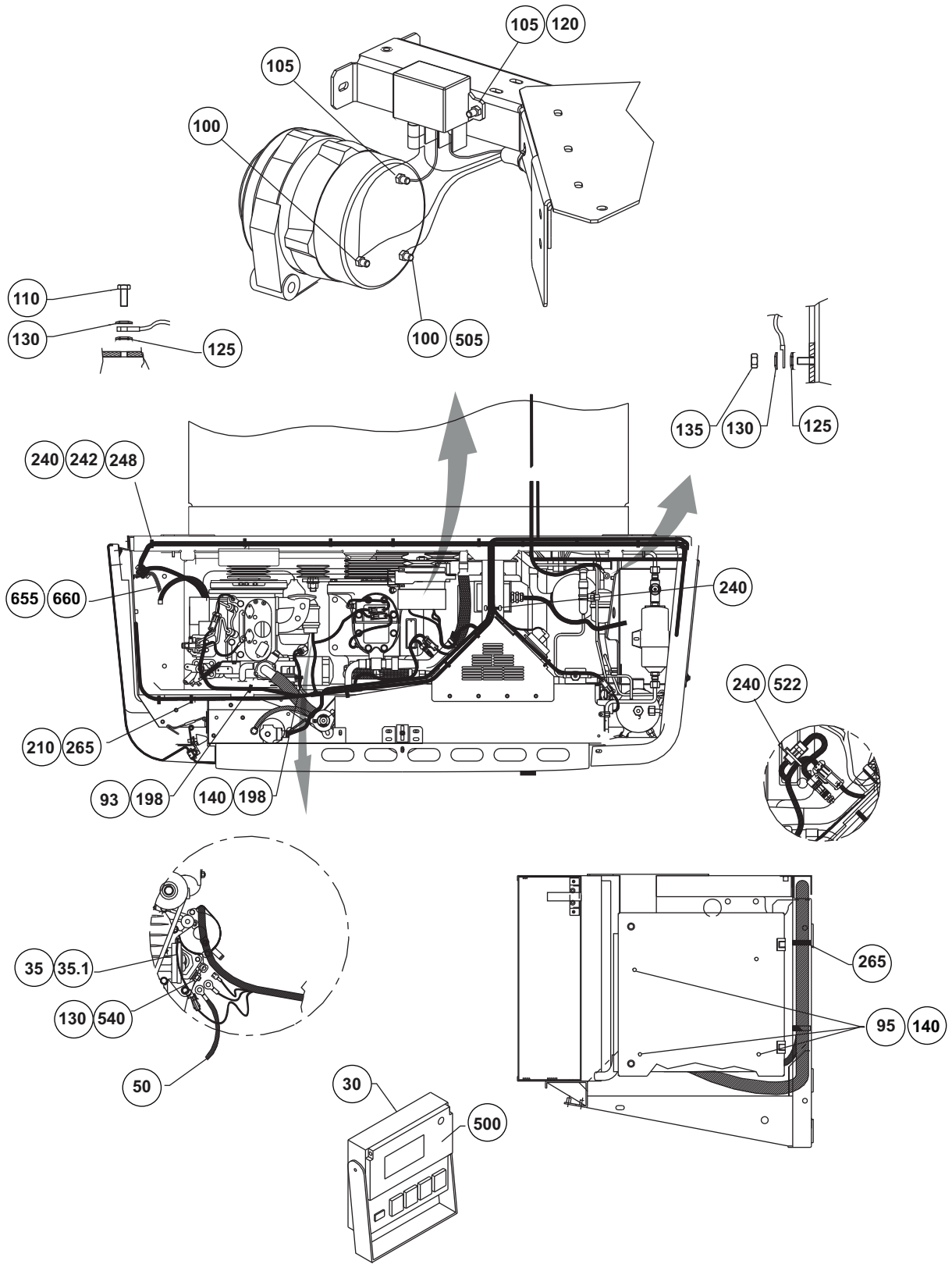
Drive Kit - Supra 660 and 760



Item Number	Part Number	Part Description	Quantity
		Drive Kit, Supra 660, 760 - Includes:	
5	86-03116-00	Power Tray	1
10	26-60000-17	Engine, Kubota, D722-E3B-CTD	1
15	54-00139-01	Motor, Standby, Shell Only - Includes:	1
15.1	04-60008-32	Bearing	2
15.2	34-60022-00	Key, 8 x 7 x 40	1
15.3	34-60022-01	Key, 8 x 7 x 30	1
20	50-00175-13	Sheave, Plated, 6.25	1
25	50-01179-00	Clutch Assembly	1
30	50-60400-00	Pulley, Compressor	1
35	48-60001-00	Bushing, Condenser Fan	1
40	44-60013-00	Clip, Linkage Rod	1
45	44-01049-01	Clip, Retaining, 0.170/0.185, Rod	2
50	73-00333-00	Rod, Linkage, Run Speed	1
53	86-02963-00	Bracket, Engine, Speed Adjustment	1
55	86-03233-00	Bracket Assembly, Solenoid	1
60	67-01077-00	Bracket, Mounting, Solenoid	2
65	68-07311-02	Bracket, Solenoid	1
75	10-66810-00	Solenoid, 12 Volts, DC - Includes:	2
75.1	22-50078-02SV	Connector, 2-Wire, Mates with 22-50078-01SV	1
75.2	10-66810-01	Boot	1
75.3	10-66810-02	Plunger Assembly	1
80	34-00368-12	Washer, Lock, 5/16 Spring	1
85	86-03233-00	Screw, Cap, Hex Head, 1/2-13 x 1.50	4
90	50-01170-00	V-Belt, BX Cross Section	1
95	48-60172-00	Washer, Special, 8 x 40 x 7 Thick	1
100	50-01169-52	V-Belt, AX Matched Set	1
105	34-00615-10	Screw, Cap, Hex Head, 5/16-18 x 1.25	1
110	73-60005-00	Spring, Speed Control	1
115	04-00122-60	Bushing, Split Taper, H x 28	1
120	73-00332-00	Rod, Linkage, Stop/Start	1
125	38-60000-01	Fan, Condenser	1
135	73-00096-02	Shockmount, 90 Shore	4
140	48-60011-00	Spacer, 10.5 x 25 x 7 Thick	4
145	18-60000-05	Compressor, 05 K2, R404A	1
155	34-00873-40	Screw, Cap, Hex Head, M10 x 40mm, 1.575	4
160	34-00825-02	Screw, Cap, Socket Head, M8 x 30mm	2
165	34-00876-20	Screw, Cap, Hex Head, M8 x 20mm, 0.79	10
171	34-01249-21	Spacer, M10 x 25 x 6 Thick	4
175	34-00961-25	Screw, Cap, Hex Head, M10 x 25mm, 0.984	4
180	34-00740-110	Screw, Cap, Hex Head, M12 x 110mm Long	6
185	34-00873-90	Screw, Cap, Hex Head, M10 x 90mm, 3.543	4
190	34-01152-16	Screw, Cap, Hex Head, M6 x 16mm, 0.629	1
192	34-01152-30	Screw, Cap, Hex Head, M6 x 30mm, 1.181	1
195	34-01249-23	Spacer, M12 x 30 x 4 Thick	16
200	34-00945-08	Washer, Lock, M8 Spring	9
210	34-60002-08	Washer, M8 Belleville	4

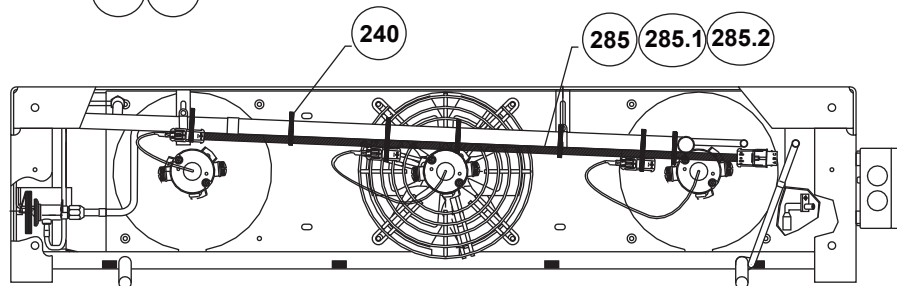
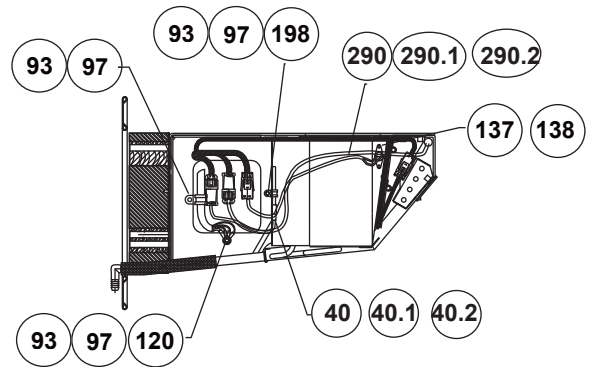
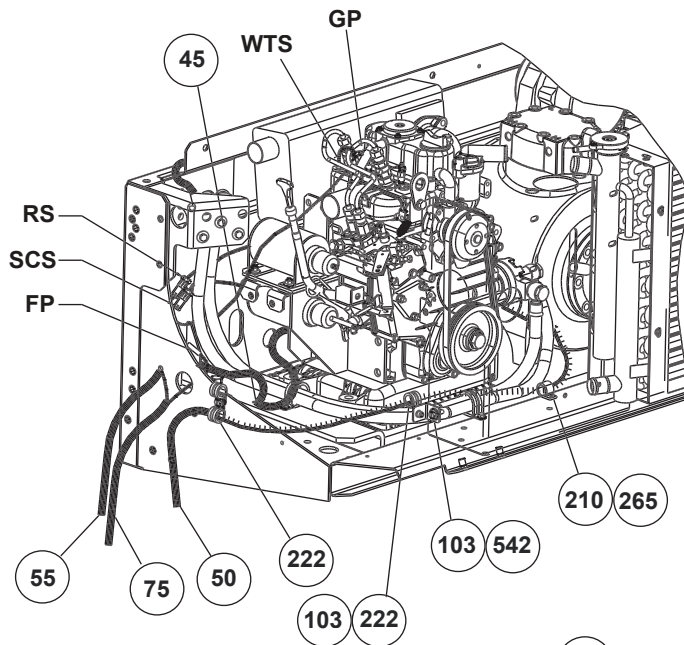
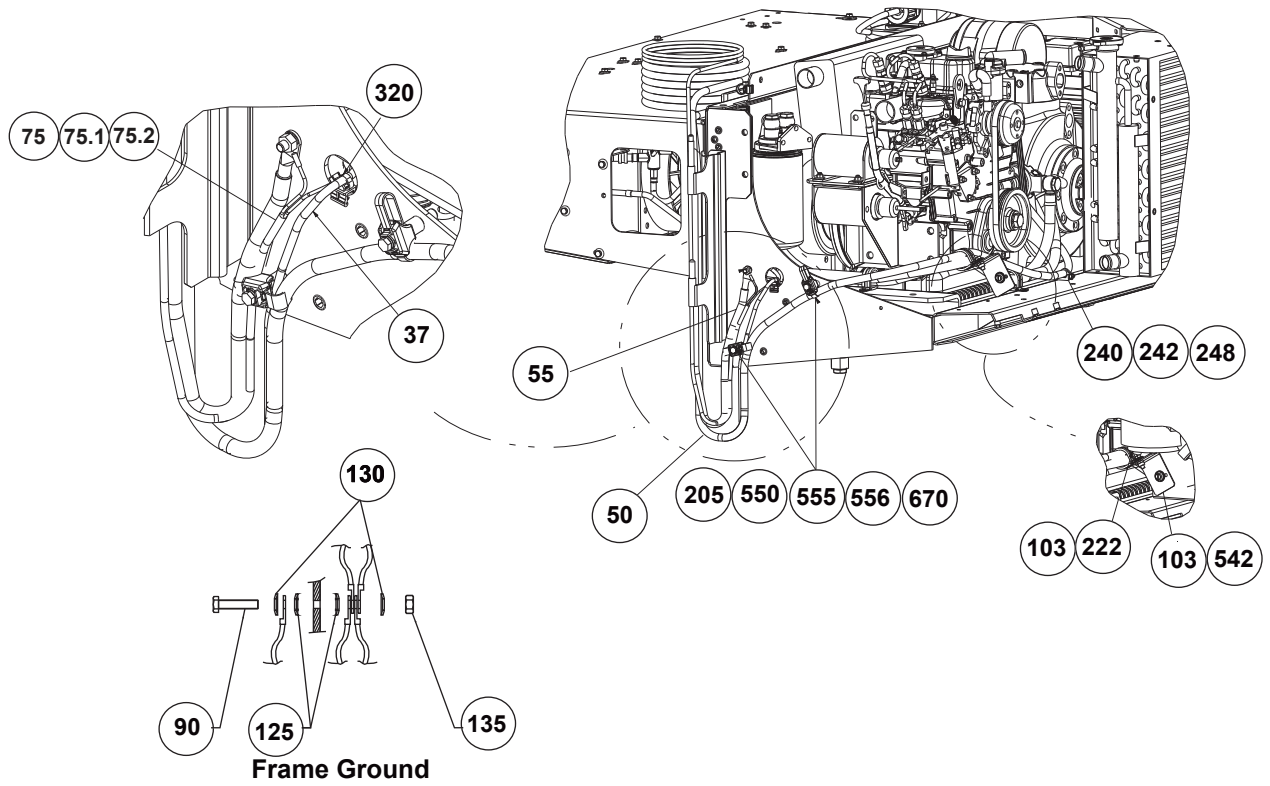
Item Number	Part Number	Part Description	Quantity
		Drive Kit, Supra 660, 760 (continued)	
215	34-00368-15	Washer, Lock, 1/2 Spring	4
220	34-60095-46	Washer, Lock, M6 x 18mm	5
223	34-00946-06	Nut, Hex, M6 x 1.00	1
230	34-00945-10	Washer, Lock, 10 WI	12
235	34-00944-10	Washer, Flat M10	20
240	34-01184-60	Nut, Lock, M10 Nylock	8
245	34-01184-56	Nut, Lock, M6 Nylock	4
247	34-01184-58	Nut, Lock, M8 Nylock	1
250	34-01184-62	Nut, Lock, M12 Nylock	6
260	34-00890-11	Washer, Special, 0.420 x 2.25	6
285	73-00154-01	Shockmount Cover	2
290	73-00154-03	Shockmount, 75 Shore	4
295	34-00873-25	Screw, Cap, Hex Head, M10 x 25mm, 0.984	8
355	34-01337-11	Washer, Lock, 1/4 Spring	1
358	34-00300-08	Screw, Cap, Hex Head, 1/4-20 x 1.00	1
360	34-60000-16	Screw, Machine, Hex Head, M5 x 16mm, 0.630	2
365	34-60095-25	Washer, Lock, M5 x 12mm	4
370	34-01184-05	Nut, Lock, M5 Nylock	2
375	50-60329-04	Belt, Poly V	1

Electrical Kit - Supra 560 without Standby

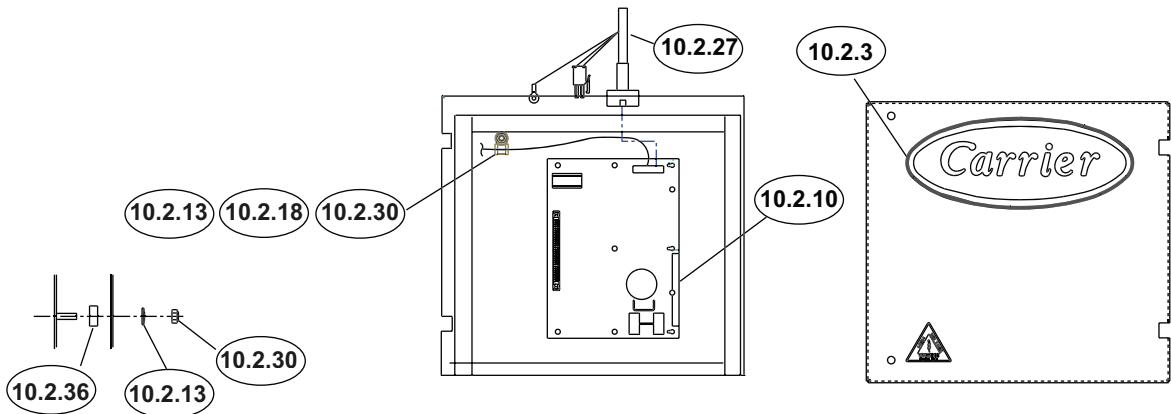


Cab Command

Electrical Kit - Supra 560 without Standby

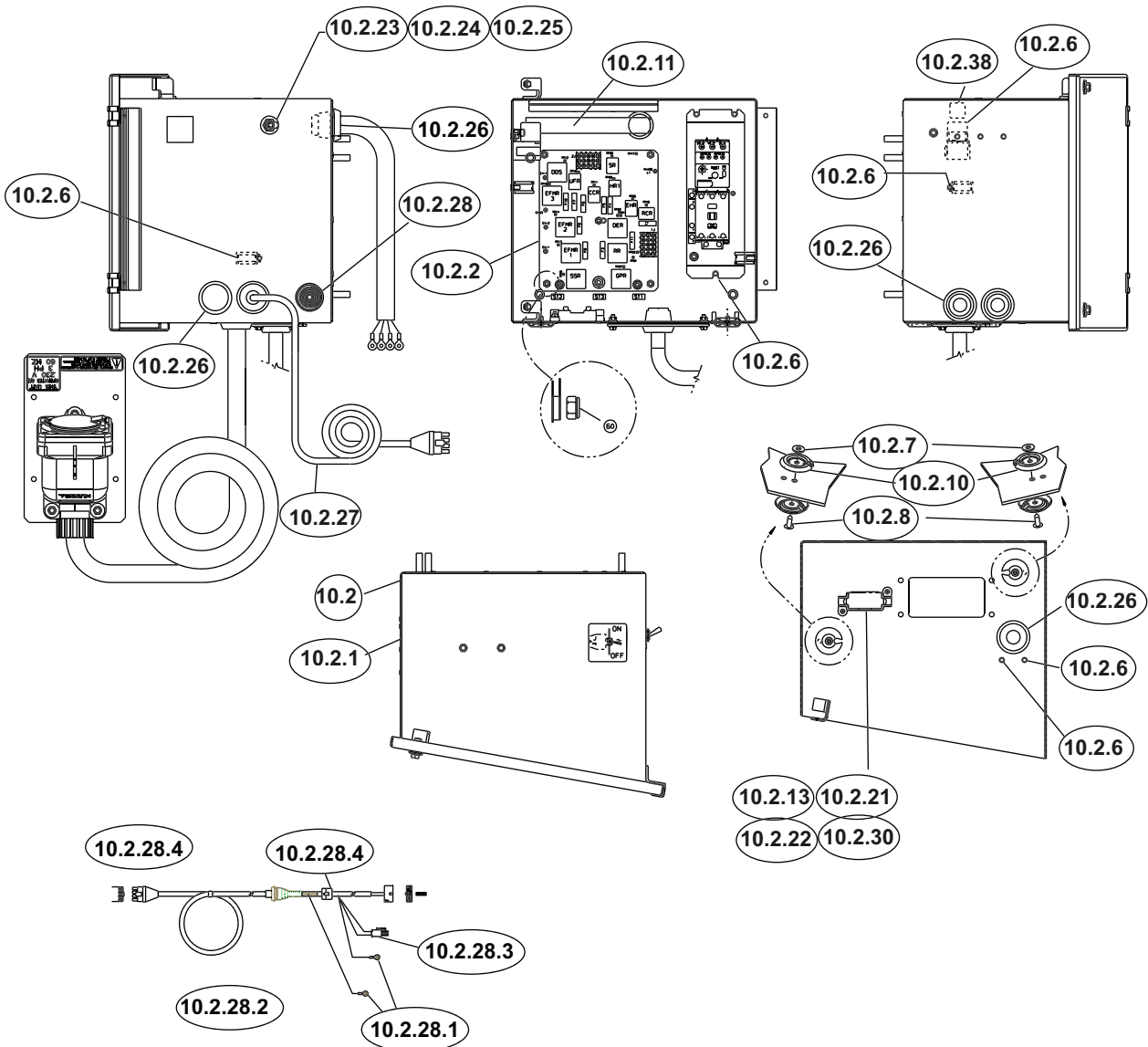


Electrical Kit - Supra 560 without Standby

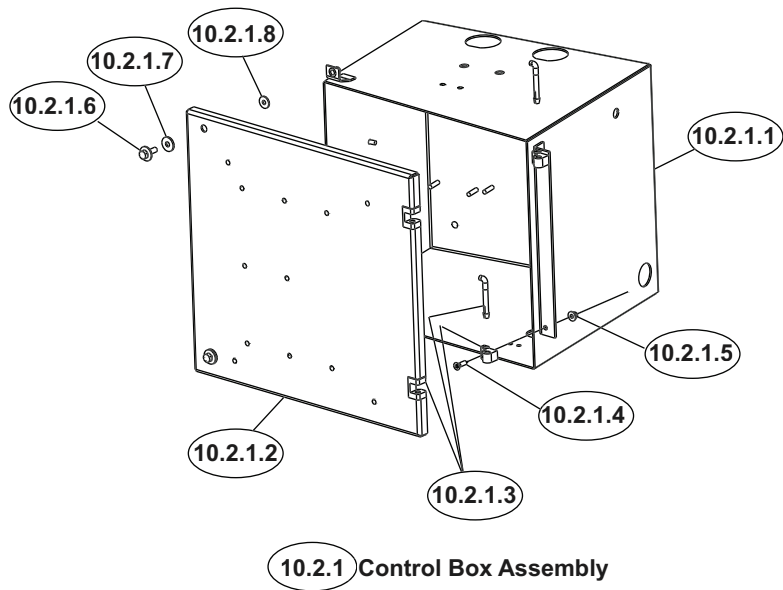
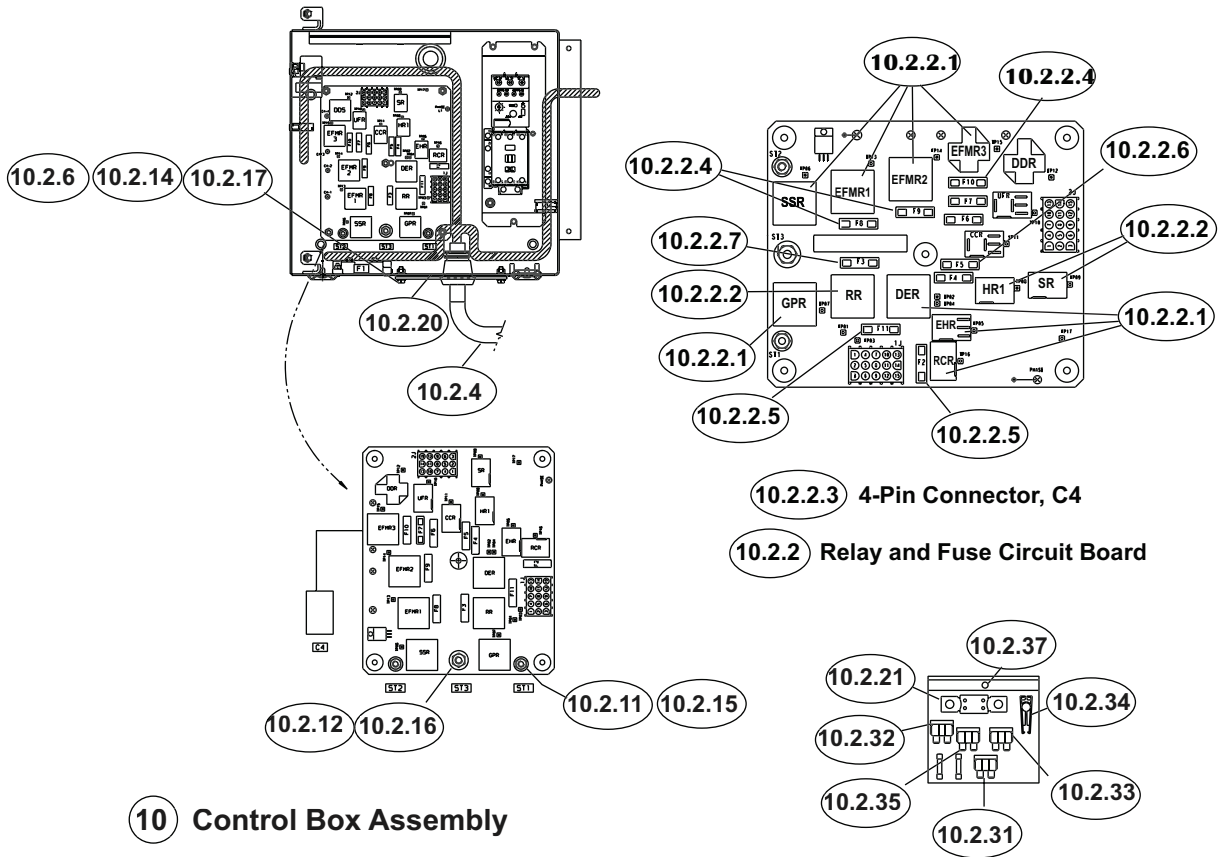


Mounting Logic Board

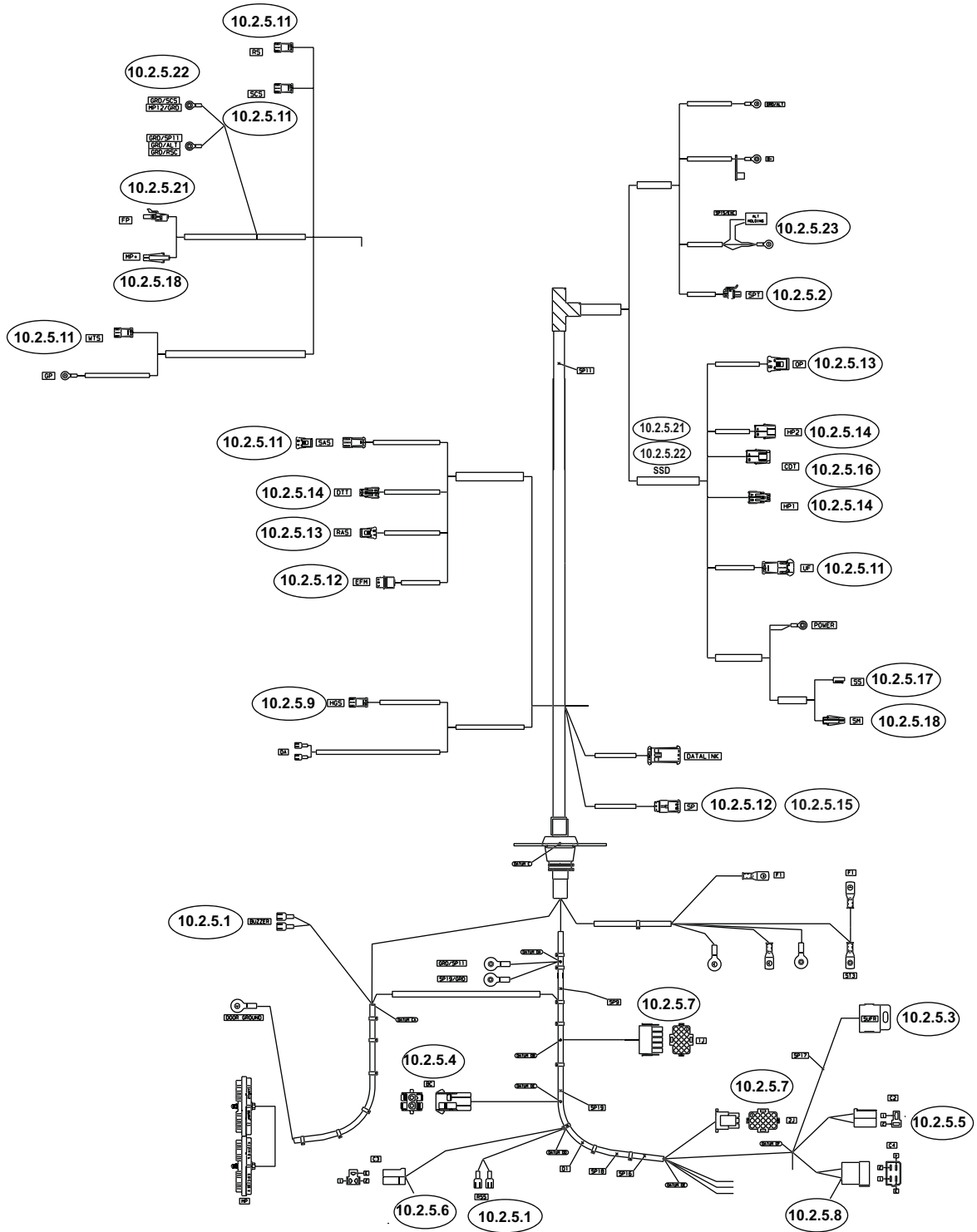
Door Mounting without Electrical Heat



Electrical Kit - Supra 560 without Standby



Electrical Kit - Supra 560 without Standby



For additional connector components, refer to the Electrical Connectors and Components catalog. Click Manuals link, open Specialty Catalogs link (manual number 62-11023).

10.2.5.10 Grommet Plate (not shown)

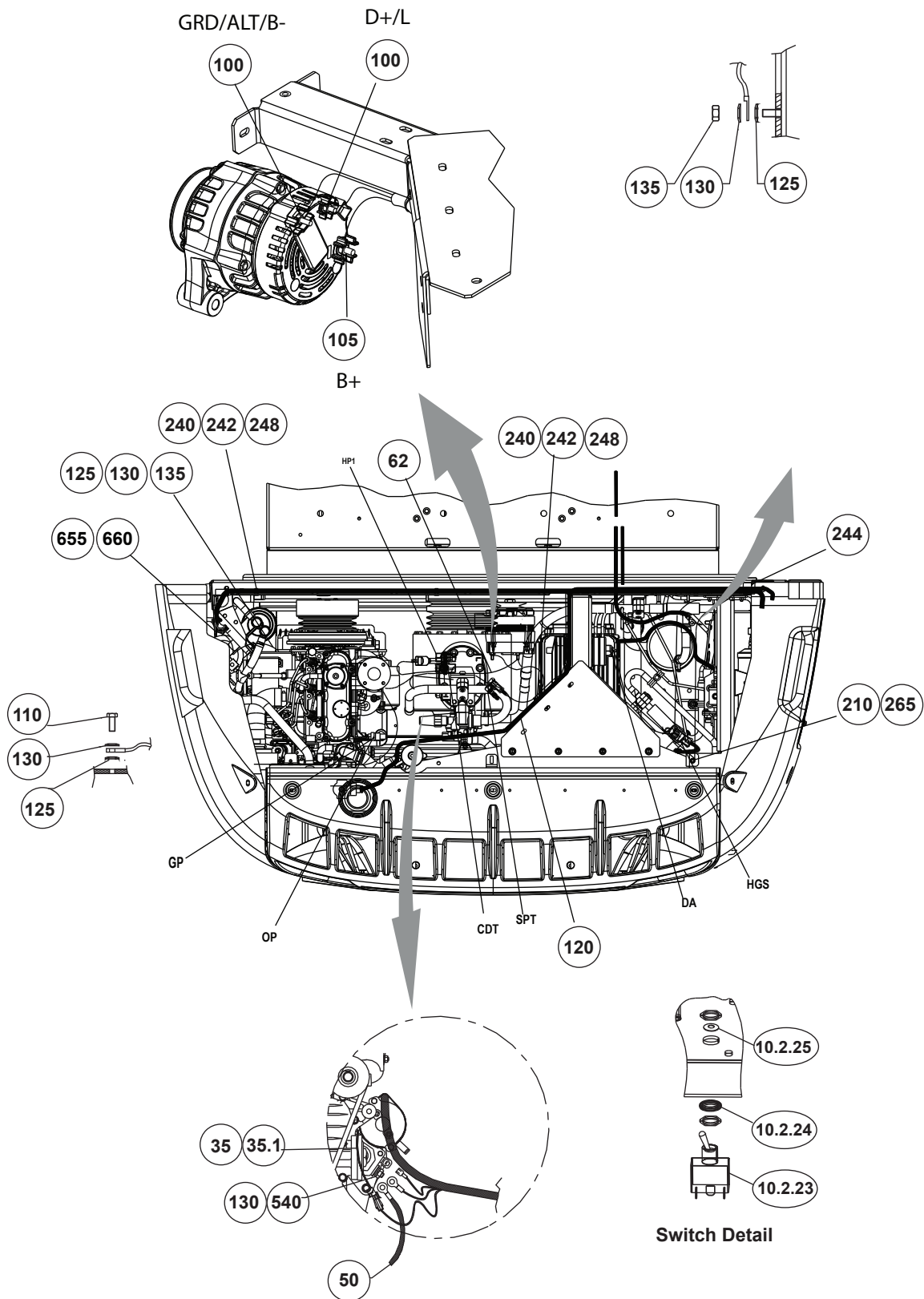
10.2.5 Micro Harness

Item Number	Part Number	Part Description	Quantity
		Electrical Kit, Supra 560, Units without Standby	
10	91-01190-32	Control Box Assembly, No Standby - Includes:	1
10.1	58-04842-04	Grommet	2
10.2	91-01190-13	Base, without Electric Heat - Includes:	1
10.2.1	79-02376-02	Box Assembly, Control Box	1
10.2.1.1	86-03187-00	Control Box, Weld	1
10.2.1.2	68-08160-01	Door, Control Box	1
10.2.1.3	44-00356-00	Hinge, Two-Piece, Plastic	2
10.2.1.4	34-60236-16	Screw, M5 x 16mm, 0.62 Long	2
10.2.1.5	34-60235-00	Nut, Lock, M5	2
10.2.1.6	34-60068-20	Screw, Captive Washer, M6 x 20mm Long	2
10.2.1.7	58-60306-06	Washer, Nylon, M6-18	2
10.2.1.8	58-60306-05	Washer, Nylon, M5-15	2
10.2.2	12-00460-06	Circuit Board, Relay and Fuse - Includes:	1
10.2.2.1	10-00286-10	Relay, DER, EFMR1, EFMR2, EFMR3, GPR, RR, SSR	7
10.2.2.2	10-00385-04	Relay, HR1, RCR, SR	3
10.2.2.3	22-60254-08	Connector, 4-Pin, C4	1
10.2.2.4	22-02336-00	Fuse, 30A, F8, F9, F10	3
10.2.2.5	22-02336-02	Fuse, 5A, F2, F4, F11	3
10.2.2.6	22-02336-04	Fuse, 10A, F5	1
10.2.2.7	22-02336-06	Fuse, 15A, F3	1
10.2.3	42-00715-01	Gasket	1
10.2.4	62-11144-00	Decal, Carrier	1
10.2.5	22-03020-00	Harness, Micro - Includes:	1
10.2.5.1	22-50099-44	Connector, Female, 1-Pin, RSS, Buzzer	4
10.2.5.2	22-04187-10	Connector Assembly, Female, 3-Pin, SPT	1
10.2.5.3	22-50099-13	Receptacle, Relay, SUFR	1
10.2.5.4	22-60275-21	Connector, Female, 2-Pin, BC	1
10.2.5.5	22-60254-04	Connector, Male, 2-Pin, C2	1
10.2.5.6	22-60254-06	Connector, Male, 3-Pin, C3	1
10.2.5.7	22-60300-12	Connector, Male, 15-Pin, 2J, 1J	2
10.2.5.8	22-60254-09	Connector, Female, 4-Pin, C4	1
10.2.5.9	22-01613-02	Plug, 2-Socket, HGS	1
10.2.5.10	68-08126-00	Grommet Plate	1
10.2.5.11	22-50078-01	Connector, Male, 2-Pin, 3WV, SAS, UF, WTS, SCS, RS	6
10.2.5.12	22-50078-05	Connector, Female, 3-Pin, EFM, SP	2
10.2.5.13	22-50078-02	Connector, Female, 2-Pin, RAS, SAS, OP, UF	4
10.2.5.14	22-01585-00	Connector, Female, 2-Pin, DTT, HP2, HP1	3
10.2.5.15	22-50078-08	Connector, Male, 3-Pin, SP	1
10.2.5.16	22-02392-00	Connector, Male, 2-Pin, HP2, CDT	2
10.2.5.17	22-50098-06	Connector, Female, 1-Pin, SS	1
10.2.5.18	22-50078-64	Connector, Male, 1-Pin, SM, MP+	2
10.2.5.19	22-50078-07	Connector, Male, 1-Pin, SSD	1
10.2.5.20	22-50078-21	Connector, Female, 1-Pin, SSD	1
10.2.5.21	22-50078-63	Connector, Female, 1-Pin, FP	1
10.2.5.22	22-50099-01	Connector, 60-Pin, MP	1
10.2.5.23	12-60004-08	Module, Resistor/Diode	1

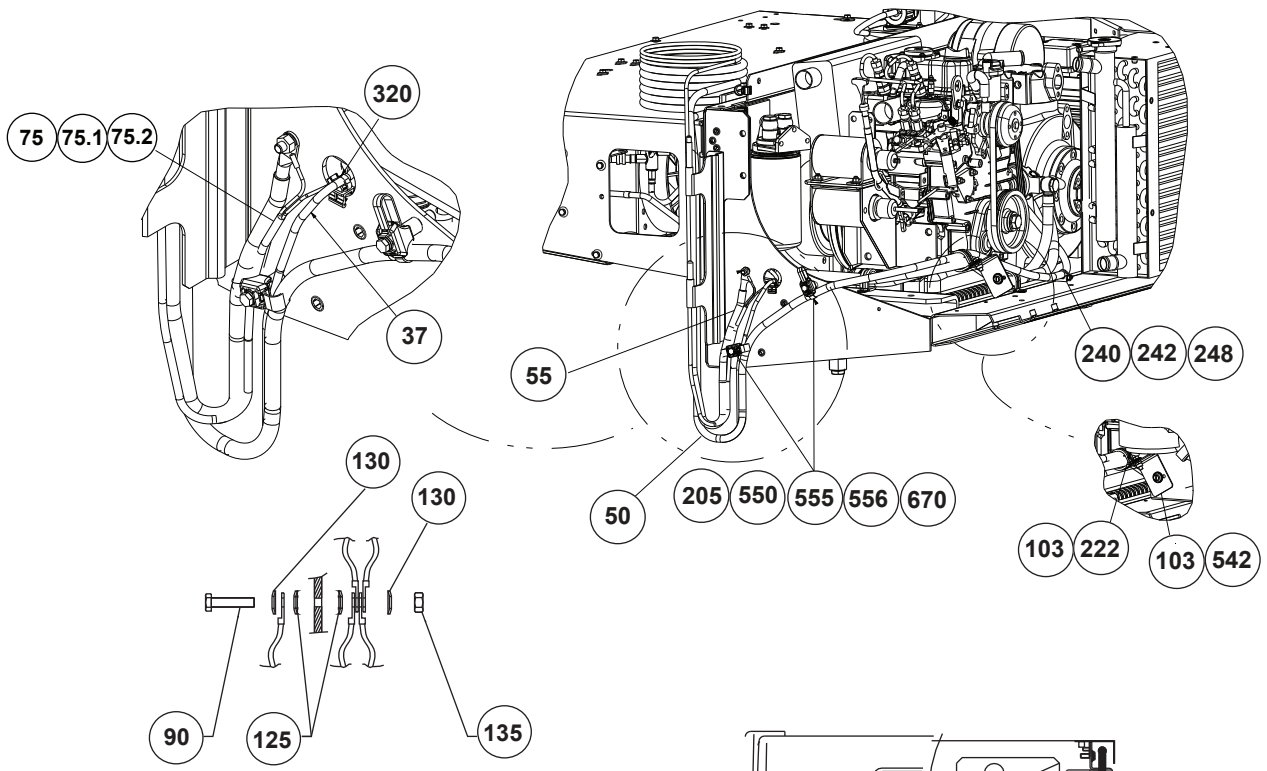
Item Number	Part Number	Part Description	Quantity
10.2.6	34-60089-05	Nut, Lock, M5 Twolock	12
10.2.7	34-00366-09	Washer, Plain, 10	2
10.2.8	34-00774-04	Rivet, Blind, 0.188 Diameter, 0.250-0.500	2
10.2.9	12-00649-47	Logic Board	1
10.2.10	58-00660-00	Washer, Condensate Drain	4
10.2.11	34-00946-105	Nut, Hex, M5	2
10.2.12	34-00946-106	Nut, Hex, M6	1
10.2.13	34-01151-04	Washer, Flat, M4	10
10.2.14	34-01151-05	Washer, Flat, M5	4
10.2.15	34-01327-05	Washer, Lock, M5, Spring	2
10.2.16	34-01327-06	Washer, Lock, M6, Spring	1
10.2.17	34-60000-16	Screw, Machine, Hex Head, M5 x 16 mm, 0.630	4
10.2.18	34-00373-01	Clamp, Tube, .25 Diameter Cushion	1
10.2.19	62-61363-00	Label, Adhesive, On-Off	1
10.2.20	42-60082-00	Gasket, Control Box	1
10.2.21	22-60340-04	Fuse, Midifuse, 80A, F1	2
10.2.22	22-60599-00	Fuse, Holder, Midival	1
10.2.23	10-01129-15	Switch, Toggle, 1-Pole, Off/On	1
10.2.24	42-00583-00	Seal, Panel, Bushing	1
10.2.25	58-60306-13	Washer, Nylon, M12 x 2.4 Thick x 19 OD	1
10.2.26	58-04842-04	Grommet	3
10.2.27	22-02964-00	Cable Assembly, Cab Command, 10M	1
10.2.27.1	22-50422-00	Connector, Female, 8-Pin	1
10.2.27.2	NSS	Connector, 14-Pin, Micro	1
10.2.27.3	22-60275-11	Connector, Male, 2-Pin, BC	1
10.2.27.4	22-50213-00	Connector, Male, 8-Pin, Cab Command	2
10.2.28	10-00375-02	Buzzer, Warning	1
10.2.29	44-60044-09	Clamp, 3/4, Cushion	2
10.2.30	34-01184-04	Nut, Lock, M4, Nylock	10
10.2.31	22-02336-02	Fuse, 5A, F2, F4, F6, F11	4
10.2.32	22-02336-06	Fuse, 15A, F3, F7	2
10.2.33	22-02336-00	Fuse, 30A, F8, F9, F10	3
10.2.34	22-02336-50	Fuse, Removal Tool	1
10.2.35	22-02336-04	Fuse, 10A, F5	1
10.2.36	58-00836-18	Spacer, Nylon	7
10.2.37	58-00079-02	Sta-Strap, 0-1.75 Diameter Cable	3
10.2.38	62-60223-28	Decal, SUFR	1
10.3	66-U---1--8292-1	Cap, Insulating, 0.125 OD	1
30	12-00325-02	Cab Command, Micro Control	1
35	22-60030-00	Harness, Info-Start	1
35.1	22-50078-63SV	Connector, 1-Wire	1
37	22-02907-00	Harness, + Micro	1
40	22-02973-05	Harness Assembly, RAS	1
40.1	12-00500-04	Sensor, Thermistor	1
40.2	22-50078-01SV	Connector, 2-Wire	1
50	22-02941-00	Cable, Positive, Red x 9200mm Long	1
55	22-02941-01	Cable, Battery, Negative, Black x 8000mm Long	1

Item Number	Part Number	Part Description	Quantity
62	22-02983-00	Harness, Alt. B+	1
75	22-02979-02	Harness, Fuel Pump	1
75.1	22-01585-00SV	Connector, 2-Wire	1
75.2	22-50078-64SV	Connector, 1-Wire	1
90	34-01153-35	Screw, Cap, Hex Head, M8 x 35mm, 1.378	1
93	34-01152-20	Screw, Cap, Hex Head, M6 x 20mm, 0.787	4
95	34-01184-58	Nut, Lock, M8 Nylock	3
97	34-01184-106	Nut, Lock, M6 Nylock	3
100	34-01322-00	Nut, Flanged, M5	2
103	34-01266-20	Screw, Hex Head, Slotted, M6 x 20mm	2
105	34-01322-01	Nut, Flanged, M6	1
110	34-01153-20	Screw, Cap, Hex Head, M8 x 20mm, 0.787	1
120	34-60095-27	Washer, Lock, M6 x 14mm	7
125	34-00372-123	Washer, Lock, M8 External Tooth	4
128	34-60002-06	Washer, M6, Belleville	1
130	34-60002-08	Washer, M8 belleville	5
133	34-00946-08	Nut, Hex, M8-1.25	1
135	34-00946-58	Nut, Hex, M8-1.25, 0.315	1
137	34-01197-10	Screw, Cap, Hex Head, M4 x 10mm, 0.394	2
138	34-60095-24	Washer, Lock, M4 x 10mm	2
140	34-00366-12	Washer, Plain, 5/16	2
160	34-00876-25	Screw, Cap, Hex Head, M8 x 25mm, 0.98	1
198	58-00079-00	Sta-Strap, Cable Clamp, 0-4.00 Diameter	4
205	58-05078-00	Sta-Strap	3
210	44-01139-02	Clamp, Cable, 0.750 Diameter, Harness	2
222	34-00373-67	Clamp, Tube, 1.25 Diameter, Cushioned	1
240	58-00079-02	Sta-Strap, Cable Clamp, 0-1.75 Diameter	24
242	58-04507-01	Holder, Wire Tie	8
248	34-00774-02	Rivet, Blind, 0.188 Diameter, 0.187-0.437	8
250	34-01152-35	Screw, Cap, Hex Head, M6 x 35mm, 1.378	1
260	34-01234-01	Rivet, Blind, 0.188 Diameter, 0.137-0.354	2
285	22-60001-00	Harness, Evaporator, Electric Drive	1
285.1	22-50078-01SV	Connector, 2-Wire	3
285.2	22-50078-08SV	Connector, 3-Wire	1
290	22-60889-00	Klixon Wire Assembly	1
290.1	12-00256-10	Thermostat, Defrost Termination, Klixon	1
290.2	22-02392-00SV	Connector, 2-Wire	1
320	44-60150-02	Clip, Harness Retainer	2
326	58-01441-00	Sta-Strap	2
330	58-01428-00	Sta-Strap	1
520	34-00967-35	Screw, Cap, Hex Head, M6 x 35mm, 1.377	1
540	34-60201-03	Nut, Hex, M8	1
542	67-01079-00	Bracket, Tube	1
550	34-00967-50	Screw, Hex Head, M6 x 50mm	2
555	34-00944-06	Washer, Flat, M6	2
556	34-00945-06	Washer, Lock, M6	2
655	30-00006-00	Cable, Braided	1.33
660	30-00007-00	Terminal, Ring, 5/16 Stud, #6 AWG	4
670	58-00836-19	Spacer	2

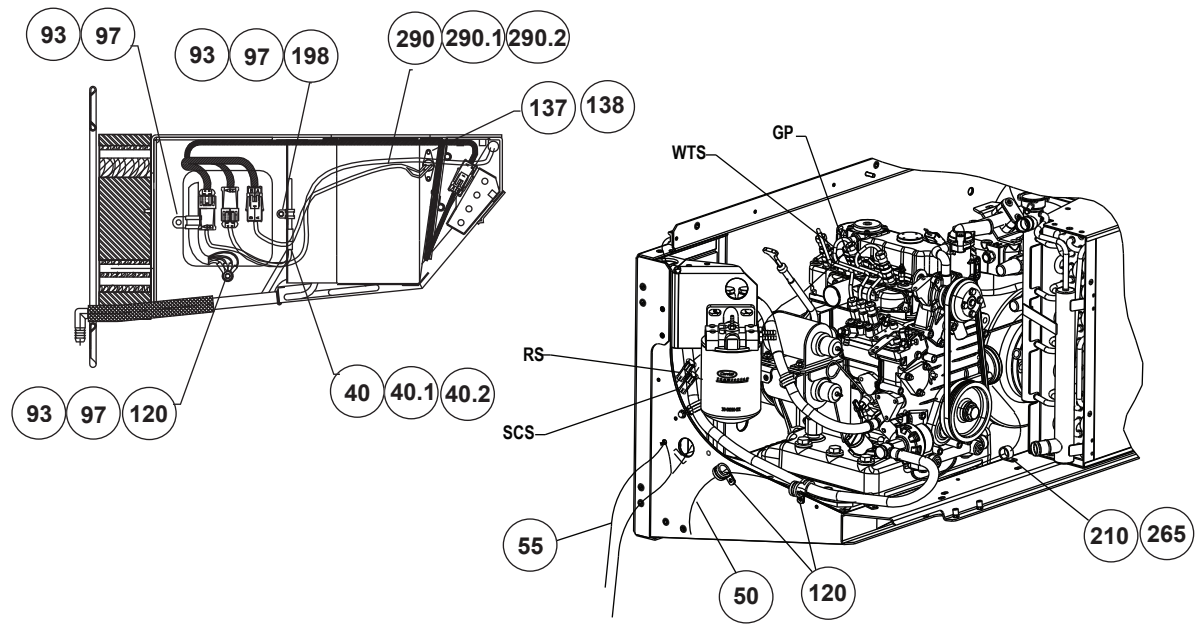
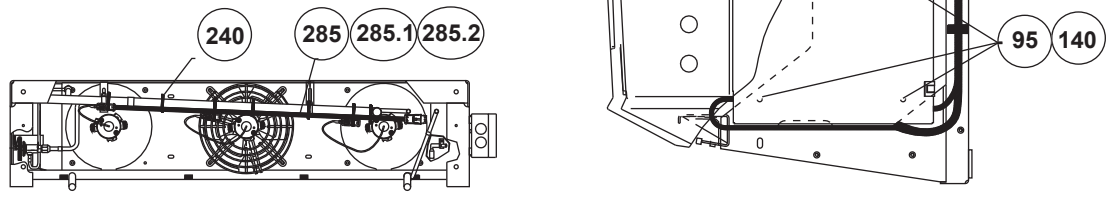
Electrical Kit, Supra 660 and 760, Units without Standby



Electrical Kit, Supra 660 and 760, Units without Standby



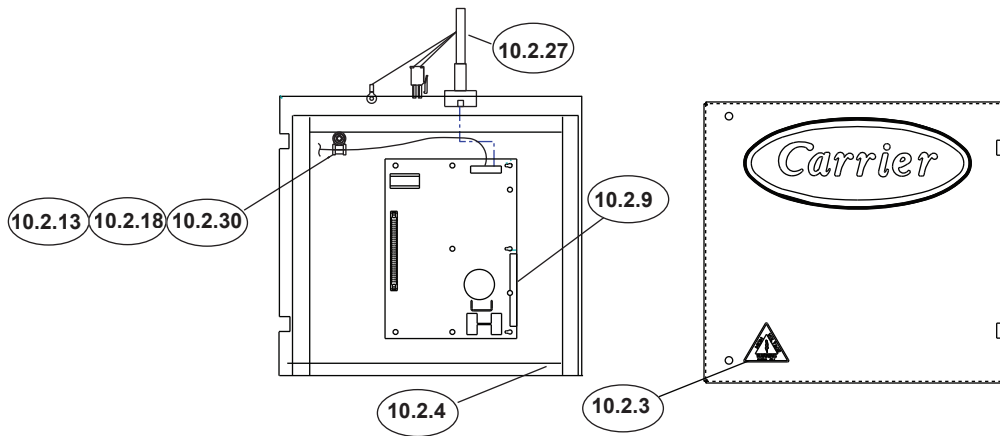
Frame Ground



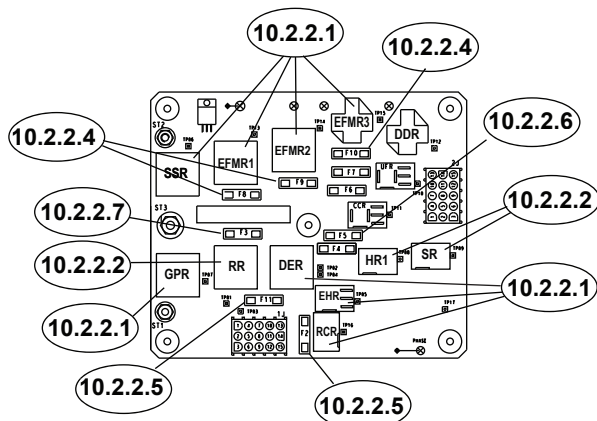
Electrical Kit, Supra 660 and 760, Units without Standby

10 Control Box Assembly

10.2 Base, Supra, Standby

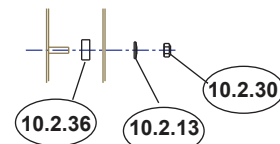


Door Mounting without Electrical Heat

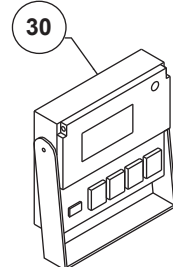
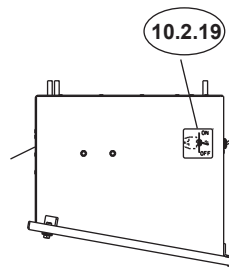
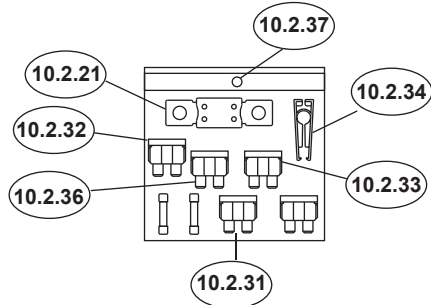
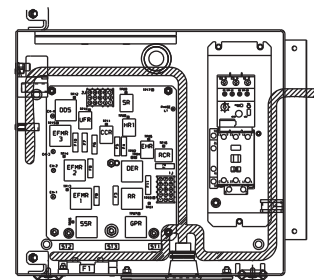


10.2.2.3 4-Pin Connector, C4

10.2.2 Relay and Fuse Circuit Board

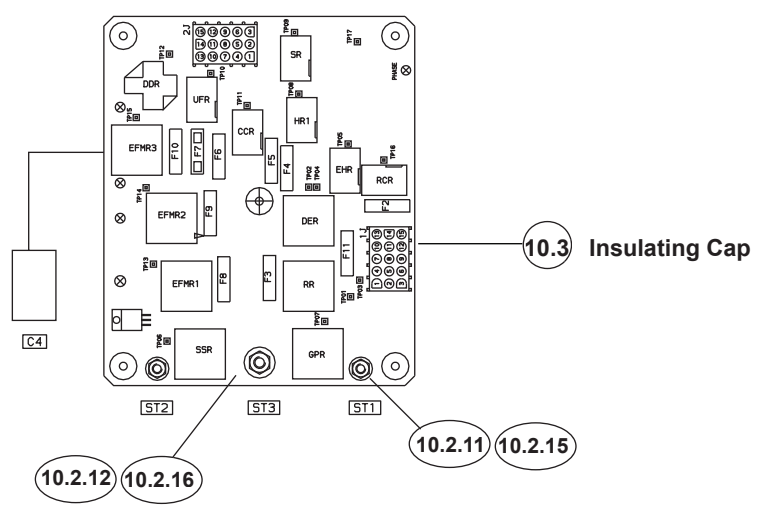
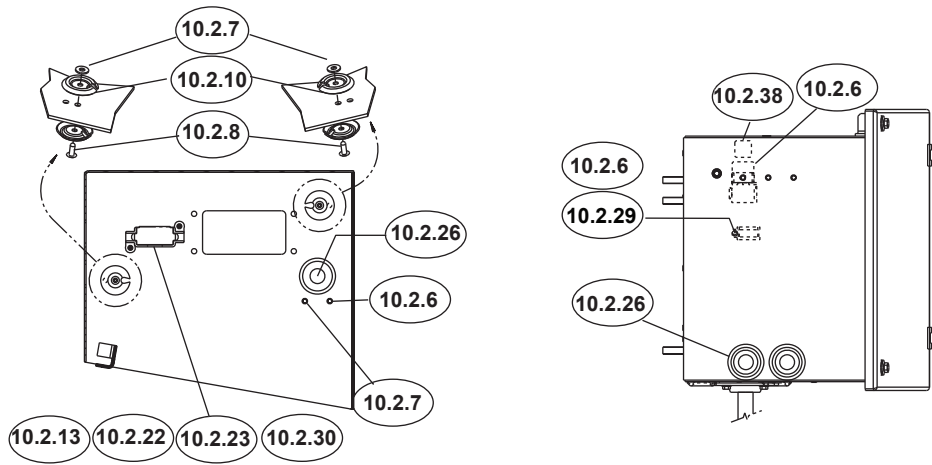
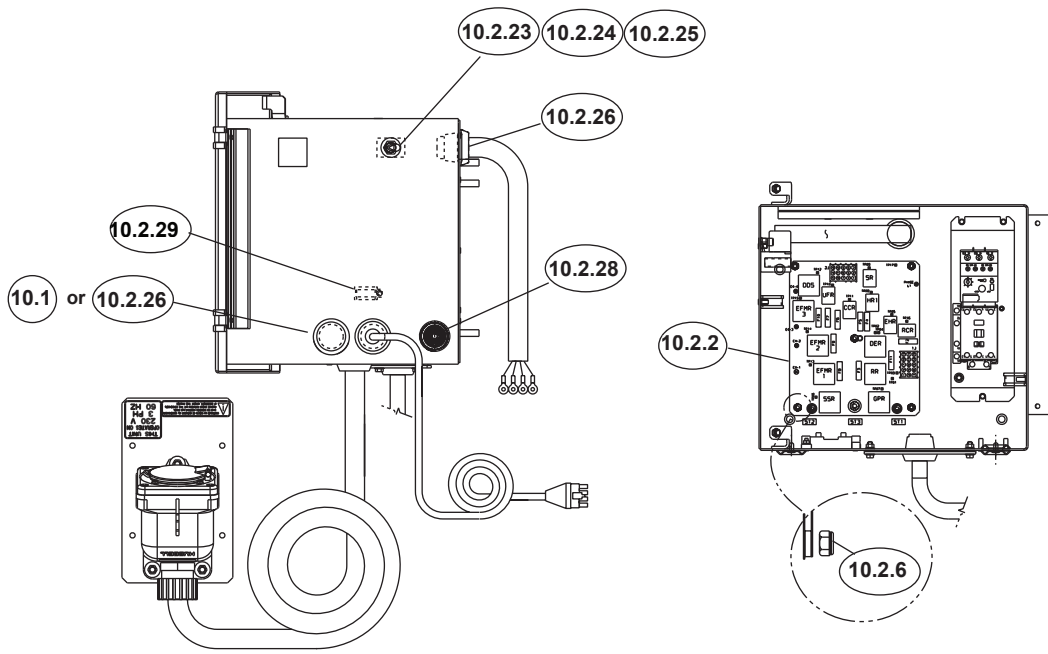


Mounting Logic Board

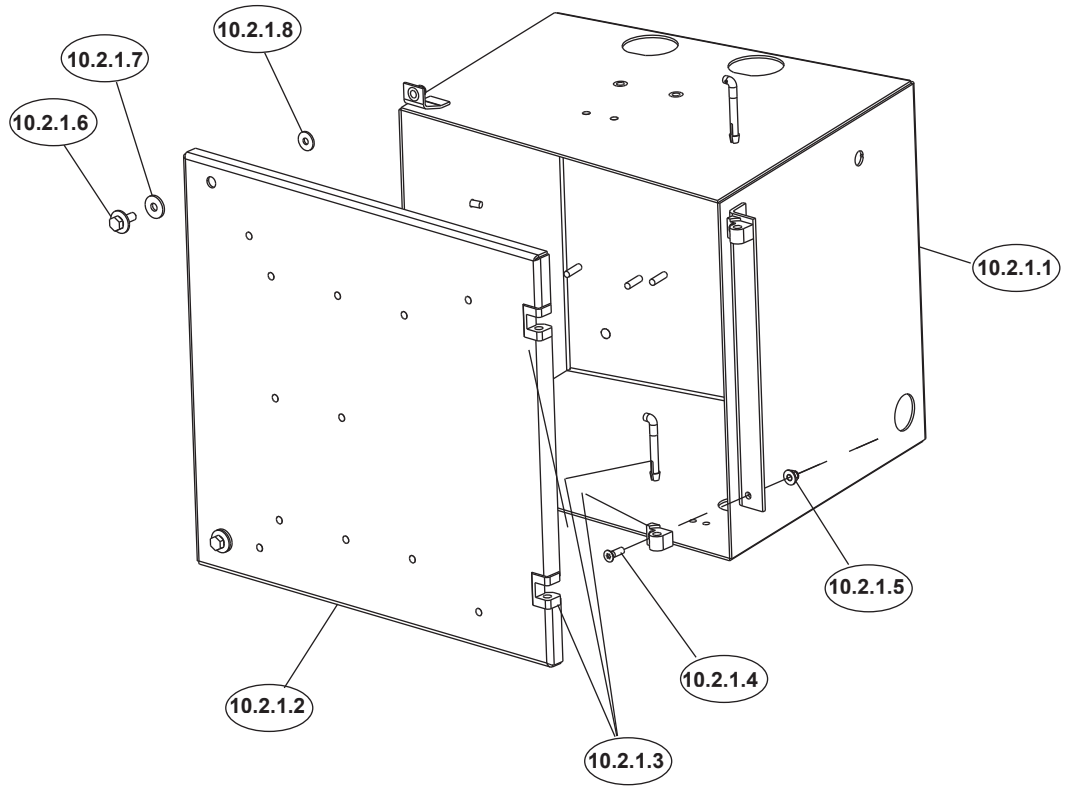


Cab Command

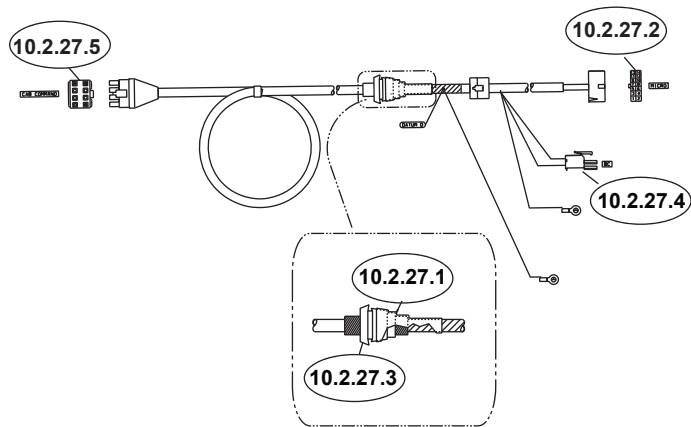
Electrical Kit, Supra 660 and 760, Units without Standby



Electrical Kit, Supra 660 and 760, Units without Standby

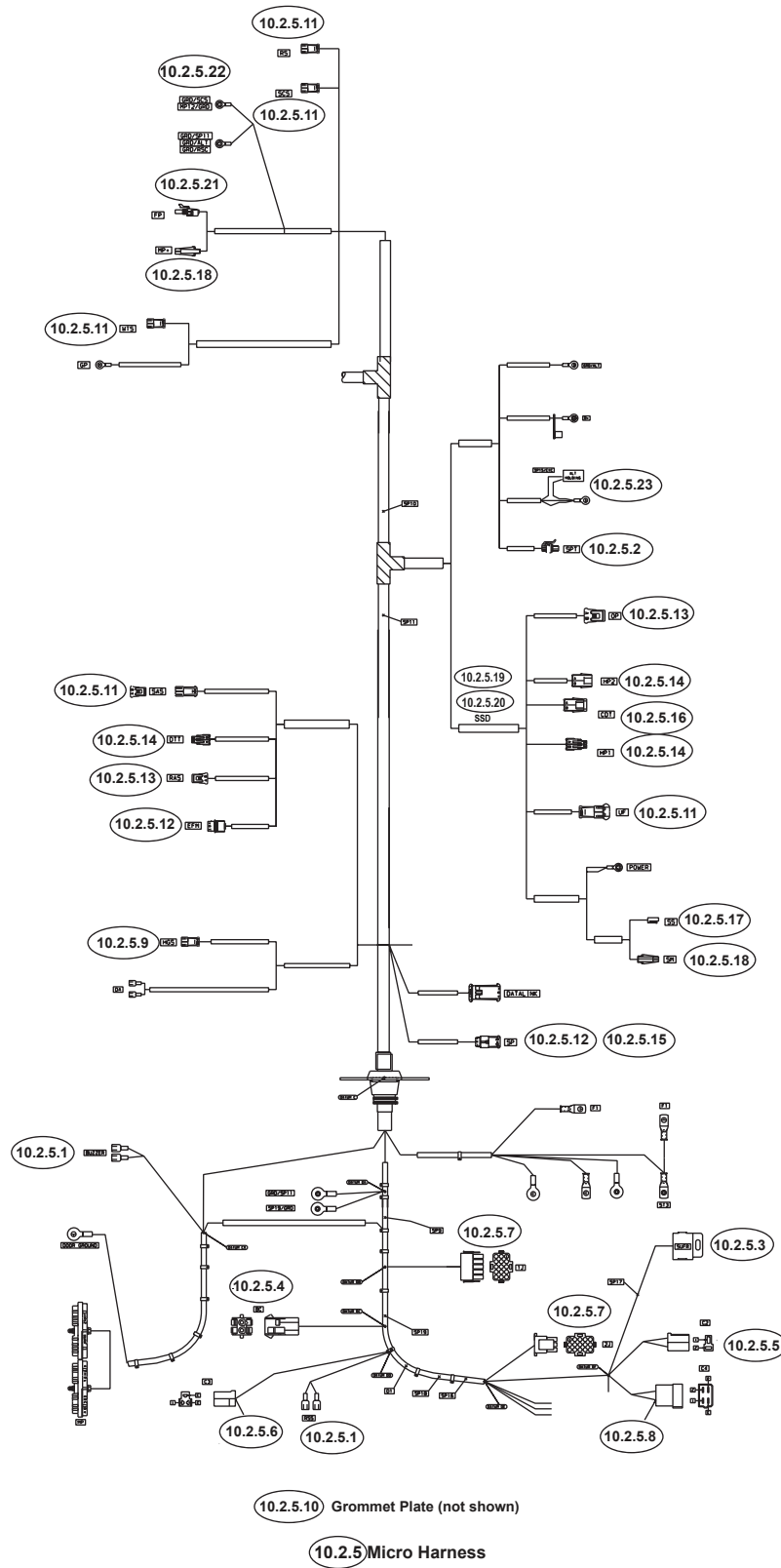


10.2.1 Control Box Assembly



10.2.27 Cable Assembly, Cab Command

Electrical Kit, Supra 660 and 760, Units without Standby

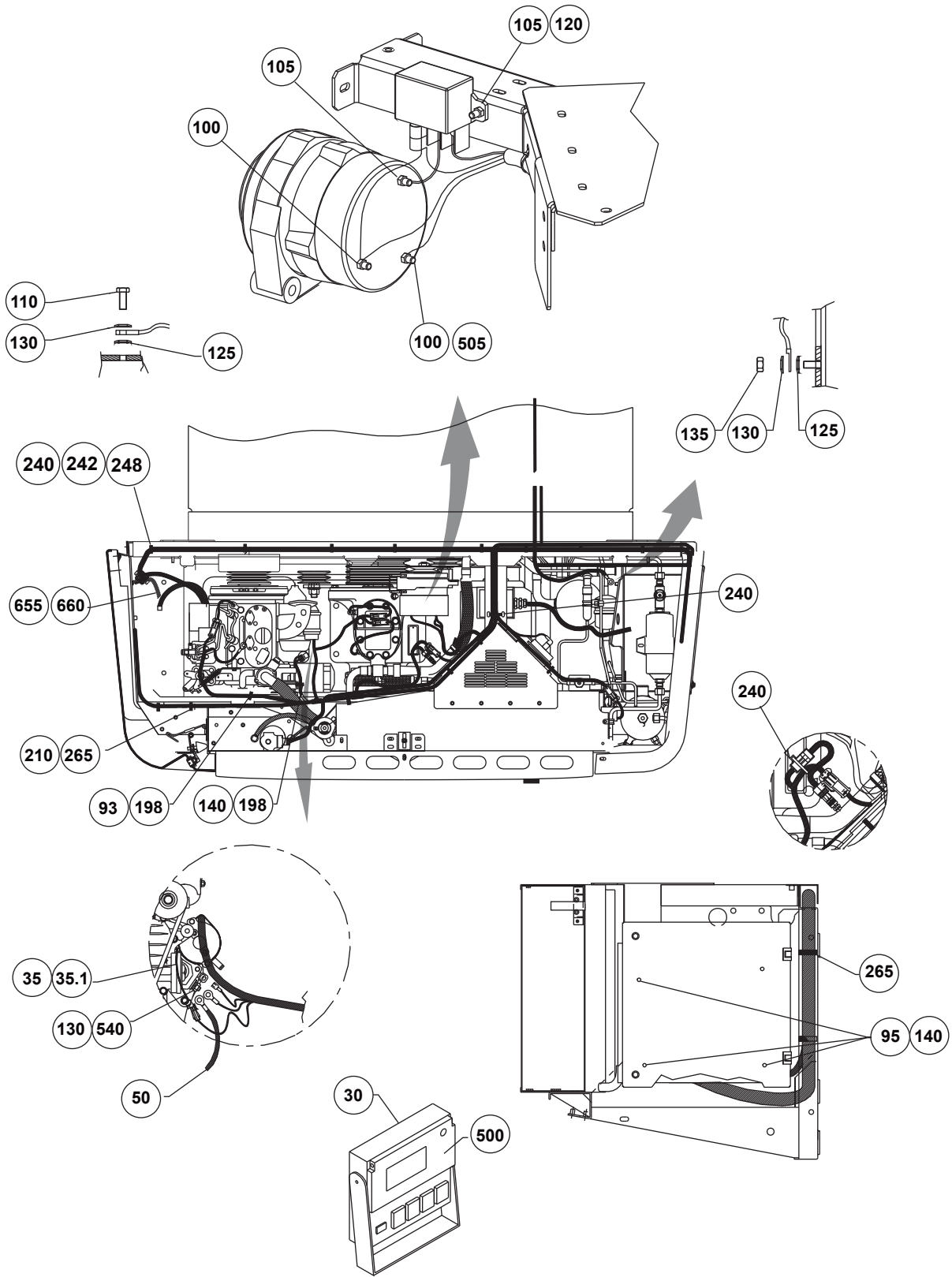


Item Number	Part Number	Part Description	Quantity
10	91-01190-32	Control Box Assembly, No Standby	1
10.1	58-04842-04	Grommet	2
10.2	91-01190-13	Base, without Electric Heat	1
10.2.1	79-02376-02	Box Assembly, Control Box	1
10.2.1.1	86-03187-00	Control Box, Weld	1
10.2.1.2	68-08160-01	Door, Control Box	1
10.2.1.3	44-00356-00	Hinge, Two Piece, Plastic	2
10.2.1.4	34-60236-16	Screw, M5 x 16mm, 0.62 Long	2
10.2.1.5	34-60235-00	Nut, Lock, M5	2
10.2.1.6	34-60068-20	Screw, Captive Washer, M6 x 20mm Long	2
10.2.1.7	58-60306-06	Washer, Nylon, M6 - 18	2
10.2.1.8	58-60306-05	Washer, Nylon, M5 - 15	2
10.2.2	12-00460-06	Circuit Board, Relay and Fuse	1
10.2.2.1	10-00286-10	Relay, DER, EFMR1, EFMR2, EFMR3, GPR, RR, SSR	7
10.2.2.2	10-00385-04	Relay, HR1, RCR, SR	3
10.2.2.3	22-60254-08	Connector, 4-Pin, C4	1
10.2.2.4	22-02336-00	Fuse, 30A, F8, F9, F10	3
10.2.2.5	22-02336-02	Fuse, 5A, F2, F4, F11	3
10.2.2.6	22-02336-04	Fuse, 10A, F5	1
10.2.2.7	22-02336-06	Fuse, 15A, F3	1
10.2.3	42-00715-01	Gasket	1
10.2.4	62-11144-00	Decal, Carrier	1
10.2.5	22-03020-00	Harness, Micro	1
10.2.5.1	22-50099-44	Connector, Female, 1-Pin, RSS, Buzzer	4
10.2.5.2	22-04187-10	Connector Assembly, Female, 3-Pin, SPT	1
10.2.5.3	22-50099-13	Receptacle, Relay, SUFR	1
10.2.5.4	22-60275-21	Connector, Female, 2-Pin, BC	1
10.2.5.5	22-60254-04	Connector, Male, 2-Pin, C2	1
10.2.5.6	22-60254-06	Connector, Male, 3-Pin, C3	1
10.2.5.7	22-60300-12	Connector, Male, 15-Pin, 2J, 1J	2
10.2.5.8	22-60254-09	Connector, Female, 4-Pin, C4	1
10.2.5.9	22-01613-02	Plug, 2-Socket, HGS	1
10.2.5.10	68-08126-00	Grommet Plate	1
10.2.5.11	22-50078-01	Connector, Male, 2-Pin, 3WV, SAS, UF, WTS, SCS, R	6
10.2.5.12	22-50078-05	Connector, Female, 3-Pin, EFM, SP	2
10.2.5.13	22-50078-02	Connector, Female, 2-Pin, RAS, SAS, OP, UF	4
10.2.5.14	22-01585-00	Connector, Female, 2-Pin, DTT, HP2, HP1	3
10.2.5.15	22-50078-08	Connector, Male, 3-Pin, SP	1
10.2.5.16	22-02392-00	Connector, Male, 2-Pin, HP2, CDT	2
10.2.5.17	22-50098-06	Connector, Female, 1-Pin, SS	1
10.2.5.18	22-50078-64	Connector, Male, 1-Pin, SM, MP+	2
10.2.5.19	22-50078-07	Connector, Male, 1-Pin, SSD	1
10.2.5.20	22-50078-21	Connector, Female, 1-Pin, SSD	1
10.2.5.21	22-50078-63	Connector, Female, 1-Pin, FP	1
10.2.5.22	22-50099-01	Connector, 60-Pin, MP	1
10.2.5.23	12-60004-08	Diode/Resistor Module, Alternator	1
10.2.6	34-60089-05	Nut, Lock, M5 Twolock	12
10.2.7	34-00366-09	Washer, Plain, 10	2
10.2.8	34-00774-04	Rivet, Blind, 0.188 Diameter, 0.250 - 0.500	2

Item Number	Part Number	Part Description	Quantity
10.2.9	12-00649-47	Logic Board	1
10.2.10	58-00660-00	Washer, Condensate Drain	4
10.2.11	34-00946-105	Nut, Hex, M5	2
10.2.12	34-00946-106	Nut, Hex, M6	1
10.2.13	34-01151-04	Washer, Flat, M4	10
10.2.14	34-01151-05	Washer, Flat, M5	4
10.2.15	34-01327-05	Washer, Lock, M5, Spring	2
10.2.16	34-01327-06	Washer, Lock, M6, Spring	1
10.2.17	34-60000-16	Screw, Machine, Hex Head, M5 x 16 mm, 0.630	4
10.2.18	34-00373-01	Clamp, Tube, .25 Diameter Cushion	1
10.2.19	62-61363-00	Label, Adhesive, On-Off	1
10.2.20	42-60082-00	Gasket, Control Box	1
10.2.21	22-60340-04	Fuse, Midifuse, 80A, F1	2
10.2.22	22-60599-00	Fuse, Holder, Midival	1
10.2.23	10-01129-15	Switch, Toggle, 1-Pole, Off/On	1
10.2.24	42-00583-00	Seal, Panel, Bushing	1
10.2.25	58-60306-13	Washer, Nylon, M12 x 2.4 Thick x 19 OD	1
10.2.26	58-04842-04	Grommet	3
10.2.27	22-02964-00	Cable Assembly, Cab Command, 10M	1
10.2.27.1	22-50422-00	Connector, Female, 8-Pin	1
10.2.27.2	NSS	Connector, 14-Pin, Micro	1
10.2.27.3	22-60275-11	Connector, Male, 2-Pin, BC	1
10.2.27.4	22-50213-00	Connector, Male, 8-Pin, Cab Command	2
10.2.28	10-00375-02	Buzzer, Warning	1
10.2.29	44-60044-09	Clamp, 3/4, Cushion	2
10.2.30	34-01184-04	Nut, Lock, M4, Nylock	10
10.2.31	22-02336-02	Fuse, 5A, F2, F4, F6, F11	4
10.2.32	22-02336-06	Fuse, 15A, F3, F7	2
10.2.33	22-02336-00	Fuse, 30A, F8, F9, F10	3
10.2.34	22-02336-50	Fuse, Removal Tool	1
10.2.35	22-02336-04	Fuse, 10A, F5	1
10.2.36	58-00836-18	Spacer, Nylon	7
10.2.37	58-00079-02	Sta-Strap, 0 - 1.75 Diameter Cable	3
10.2.38	62-60223-28	Decal, SUFR	1
10.3	66-U---1--8292-1	Cap, Insulating, 0.125 OD	1
30	12-00325-02	Cab Command, Micro Control	1
35	22-60030-00	Harness, Info-Start	1
35.1	22-50078-63SV	Connector, 1-Wire	1
37	22-02907-00	Harness, + Micro	1
40	22-02973-05	Harness Assembly, RAS	1
40.1	12-00500-04	Sensor, Thermistor	1
40.2	22-50078-01SV	Connector, 2-Wire	1
50	22-02941-00	Cable, Positive, Red x 9200mm Long	1
55	22-02941-01	Cable, Battery, Negative, Black x 8000mm Long	1
62	22-02983-02	Harness, Alt. B+	1
75	22-02979-02	Harness, Fuel Pump	1
75.1	22-01585-00SV	Connector, 2-Wire	1
75.2	22-50078-64SV	Connector, 1-Wire	1
90	34-01153-35	Screw, Cap, Hex Head, M8 x 35mm, 1.378	1

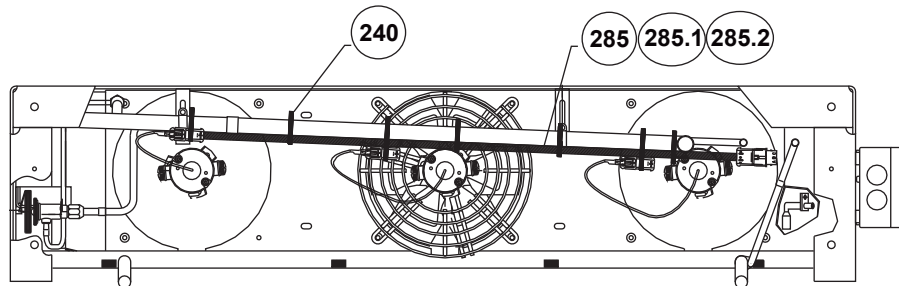
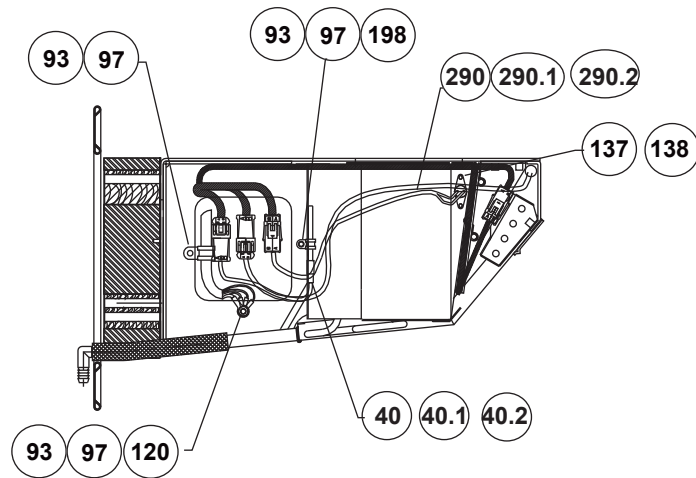
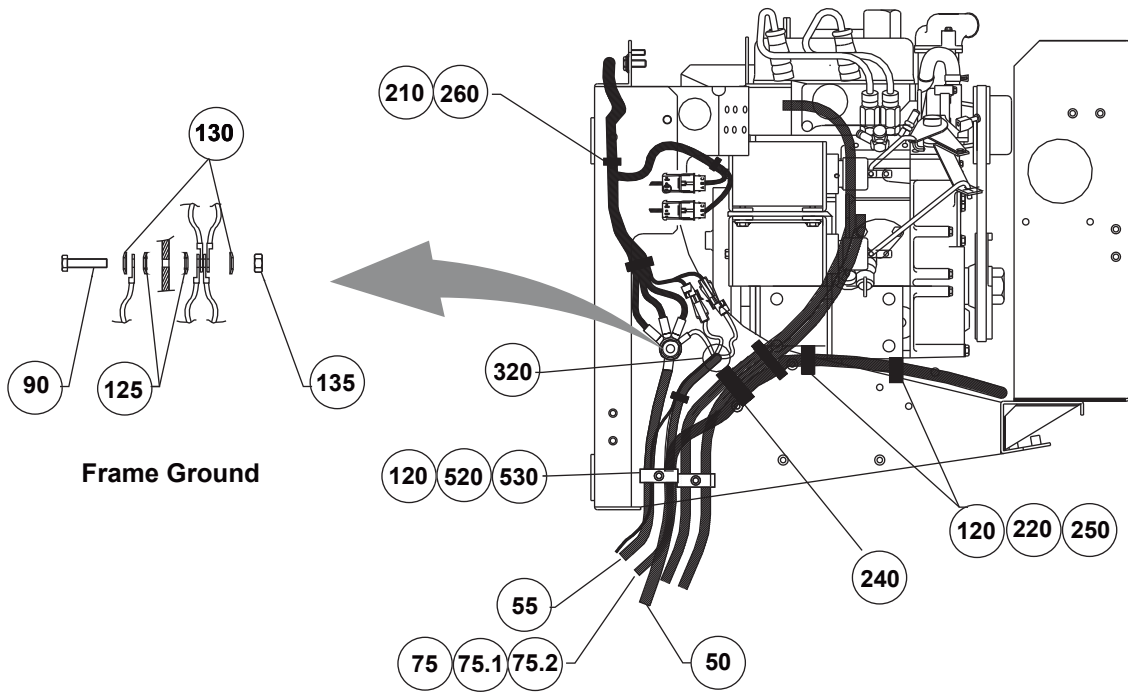
Item Number	Part Number	Part Description	Quantity
93	34-01152-20	Screw, Cap, Hex Head, M6 x 20mm, 0.787	5
95	34-01184-58	Nut, Lock, M8 Nylock	3
97	34-01184-106	Nut, Lock, M6 Nylock	3
100	34-01322-00	Nut, Flanged, M5 x 0.8	2
105	34-01322-01	Nut, Flanged, M6 x 1.0	1
110	34-01153-20	Screw, Cap, Hex Head, M8 x 20mm, 0.787	1
120	34-60095-27	Washer, Lock, M6 x 14mm	6
125	34-00372-123	Washer, Lock, M8 External Tooth	5
130	34-60002-08	Washer, M8 Belleville	6
133	34-00946-08	Nut, Hex, M8	1
135	34-00946-58	Nut, Hex, M8 - 1.25, 0.315	5
137	34-01197-10	Screw, Cap, Hex Head, M4 x 10mm, 0.394	2
138	34-60095-24	Washer, Lock, M4 x 10mm	2
140	34-00366-12	Washer, Plain, 5/16	3
210	44-01139-02	Clamp, Cable, 0.750 Diameter, Harness	6
225	58-05100-00	Sta-Strap	16
240	58-00079-02	Sta-Strap, Cable Clamp, 0 - 1.75 Diameter	15
241	58-00079-03	Sta-Strap, Cable Clamp, 0 - 1.75 Diameter with 3/16 Mo	4
242	58-04507-01	Holder, Wire Tie	8
248	34-00774-02	Rivet, Blind, 0.188 Diameter, 0.187 - 0.437	8
260	34-01234-01	Rivet, Blind, 0.188 Diameter, 0.137 - 0.354	1
265	34-06048-00	Rivet, 0.187 Diameter, 0.187 - 0.375	6
285	22-60001-00	Harness, Evaporator, Electric Drive	1
285.1	22-50078-01SV	Connector, 2-Wire	3
285.2	22-50078-08SV	Connector, 3-Wire	1
290	22-60889-00	Klixon Wire Assembly	1
290.1	12-00256-10	Thermostat, Defrost Termination, Klixon	1
290.2	22-02392-00SV	Connector, 2-Wire	1
315	44-60150-00	Clip, Harness Retainer,	1
320	44-60150-02	Clip, Harness Retainer	3
520	34-00967-35	Screw, Cap, Hex Head, M6 x 35mm, 1.377	1
540	34-60201-03	Nut, Hex, M8	1
655	30-00006-00	Cable, Braided	1.33
660	30-00007-00	Terminal, Ring, 5/16 Stud, #6 AWG	4
665	34-00967-50	Screw, Hex Head, M6	2
666	58-05078-01	Sta-Strap, Dual Cable	4
667	58-01442-00	Sta-Strap, Edge Clip Mount	2
668	34-00945-06	Washer, Lock, M6 Spring	2
669	34-00944-06	Washer, Flat, M6	2
670	58-00836-19	Spacer, Nylon	2
Not shown	42-00258-11	Gasket, Pod	2
Not shown	34-00373-07	Clamp, Tube, 5/8 Diameter	1

Electrical Kit - Supra 560 with Standby

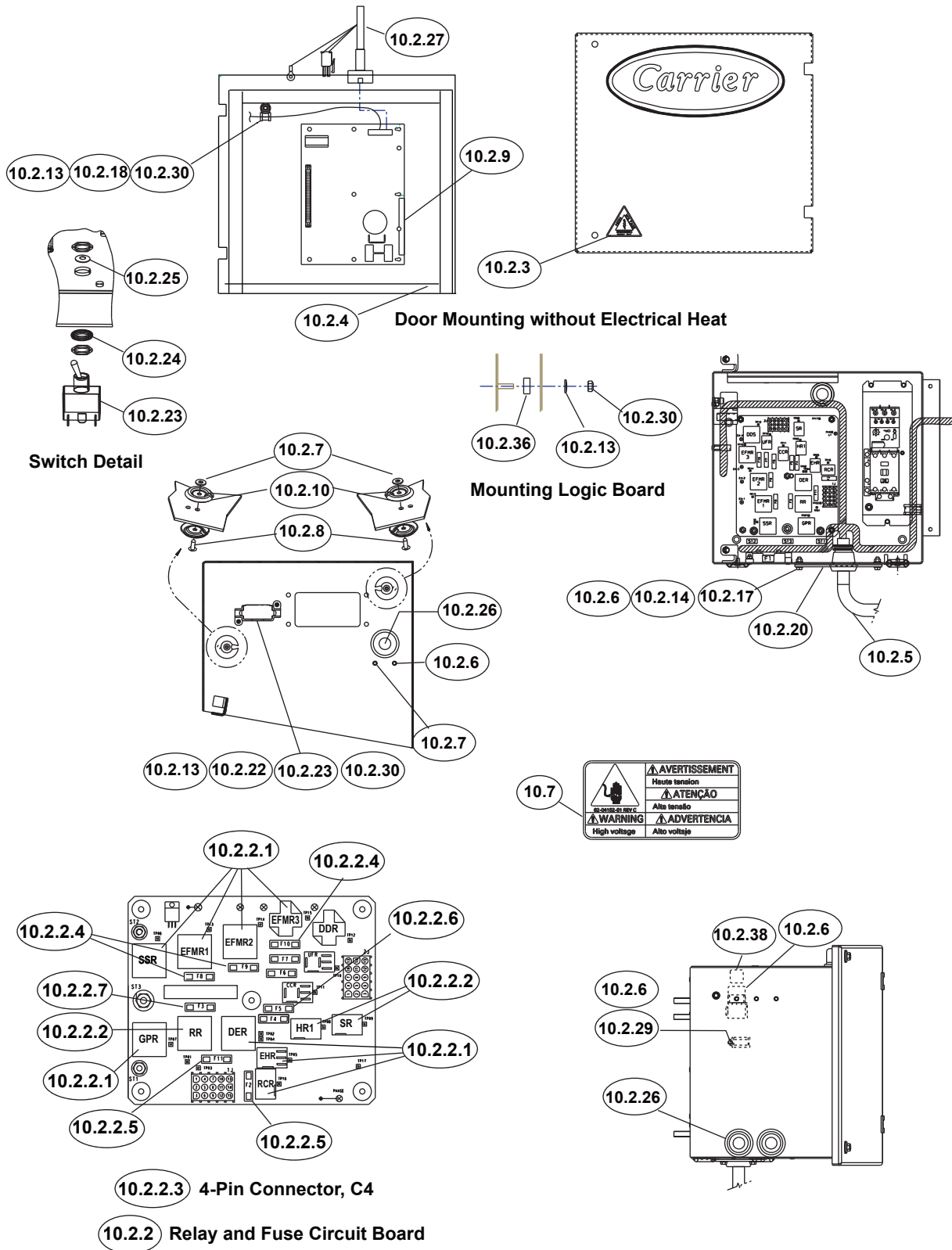


Cab Command

Electrical Kit - Supra 560 with Standby

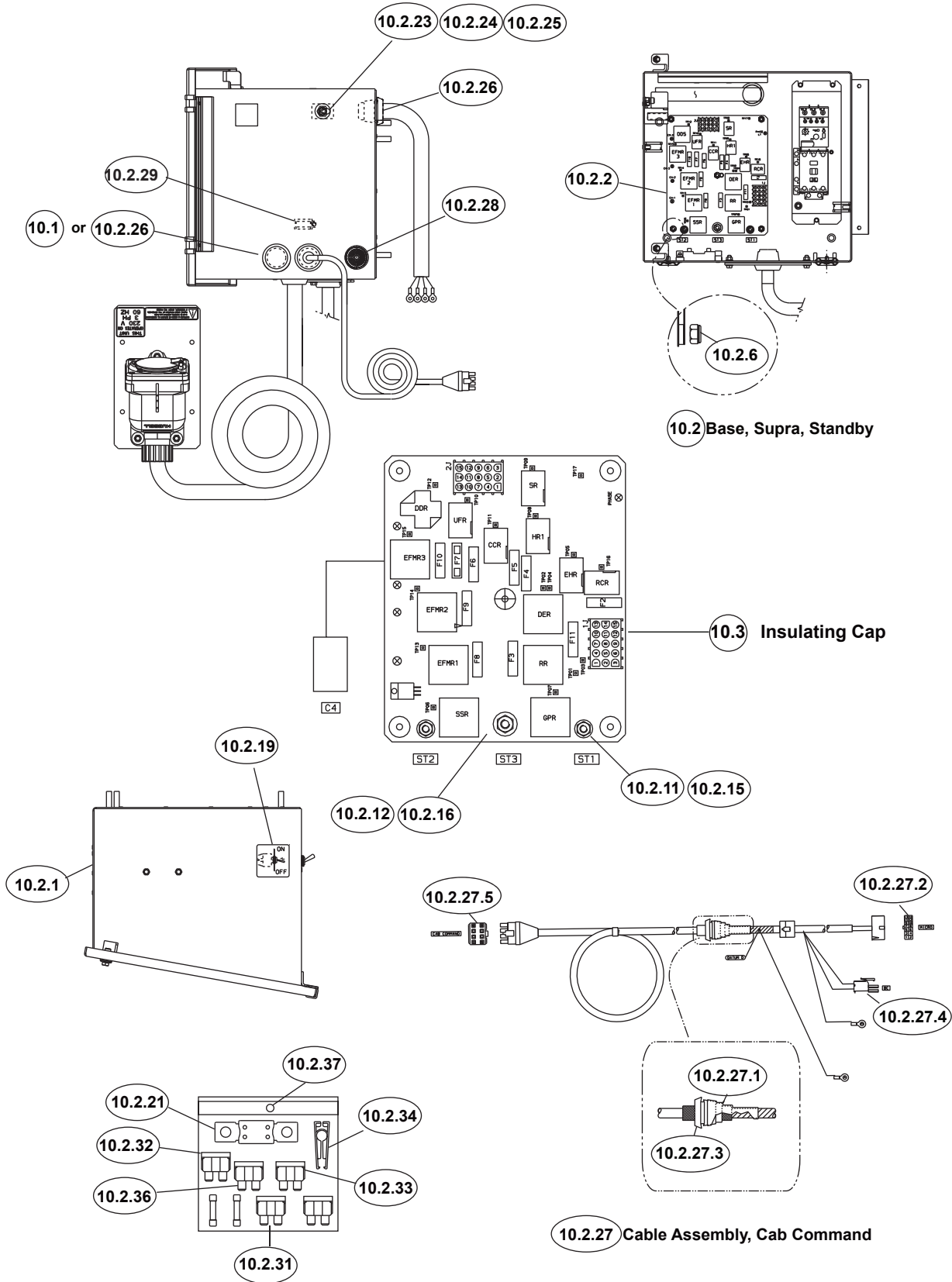


Electrical Kit - Supra 560 with Standby

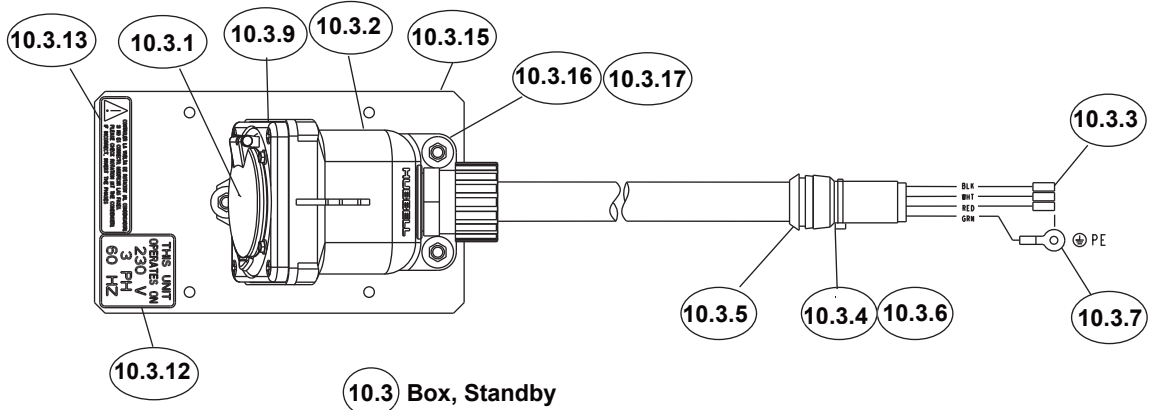


10 Control Box Assembly

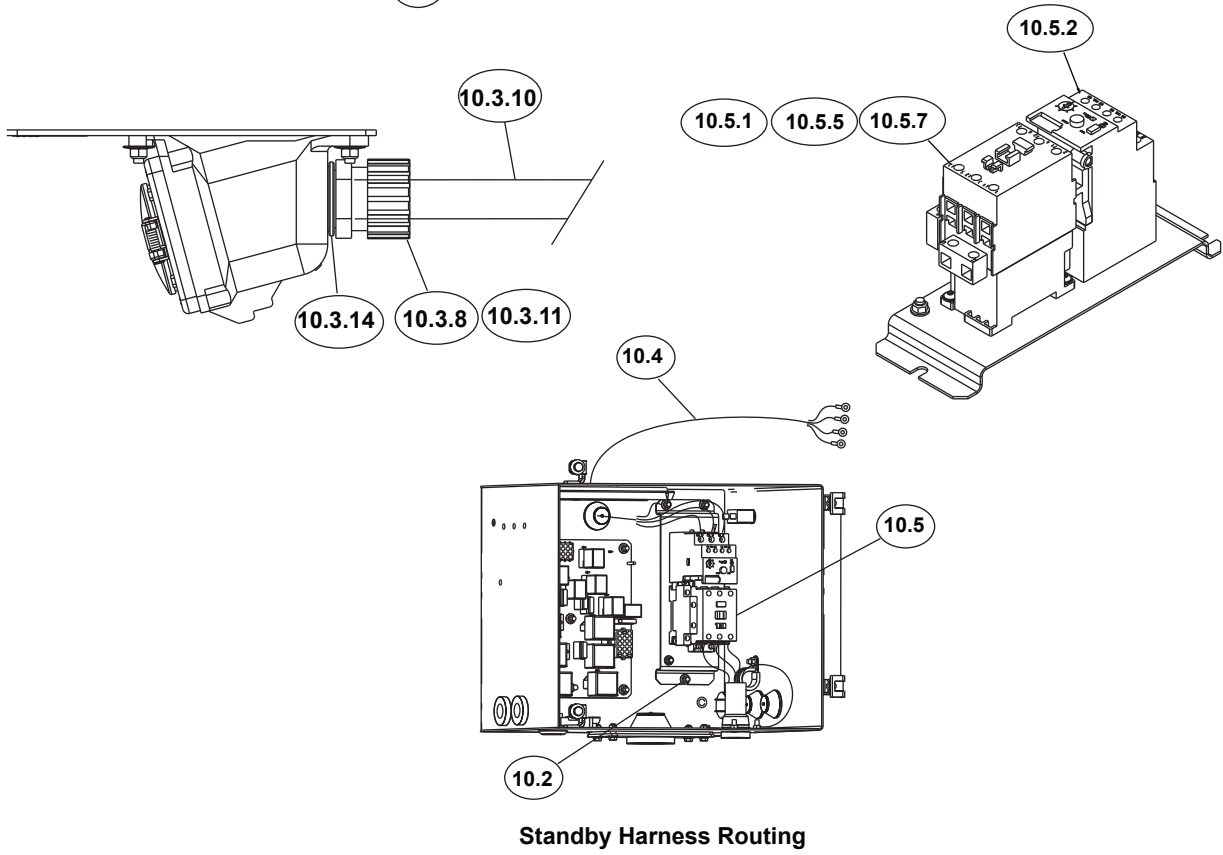
Electrical Kit - Supra 560 with Standby



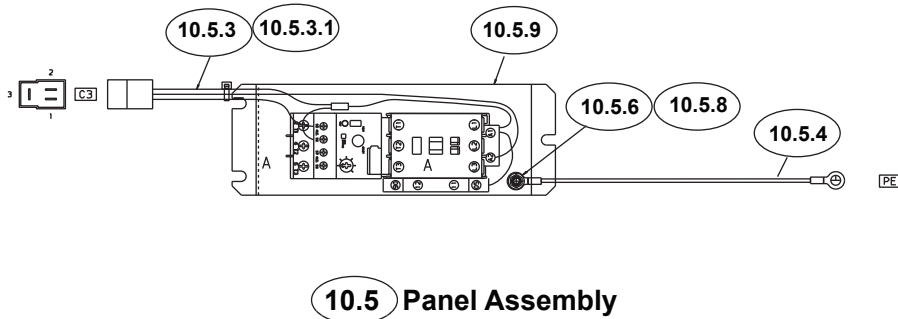
Electrical Kit - Supra 560 with Standby



10.3) Box, Standby

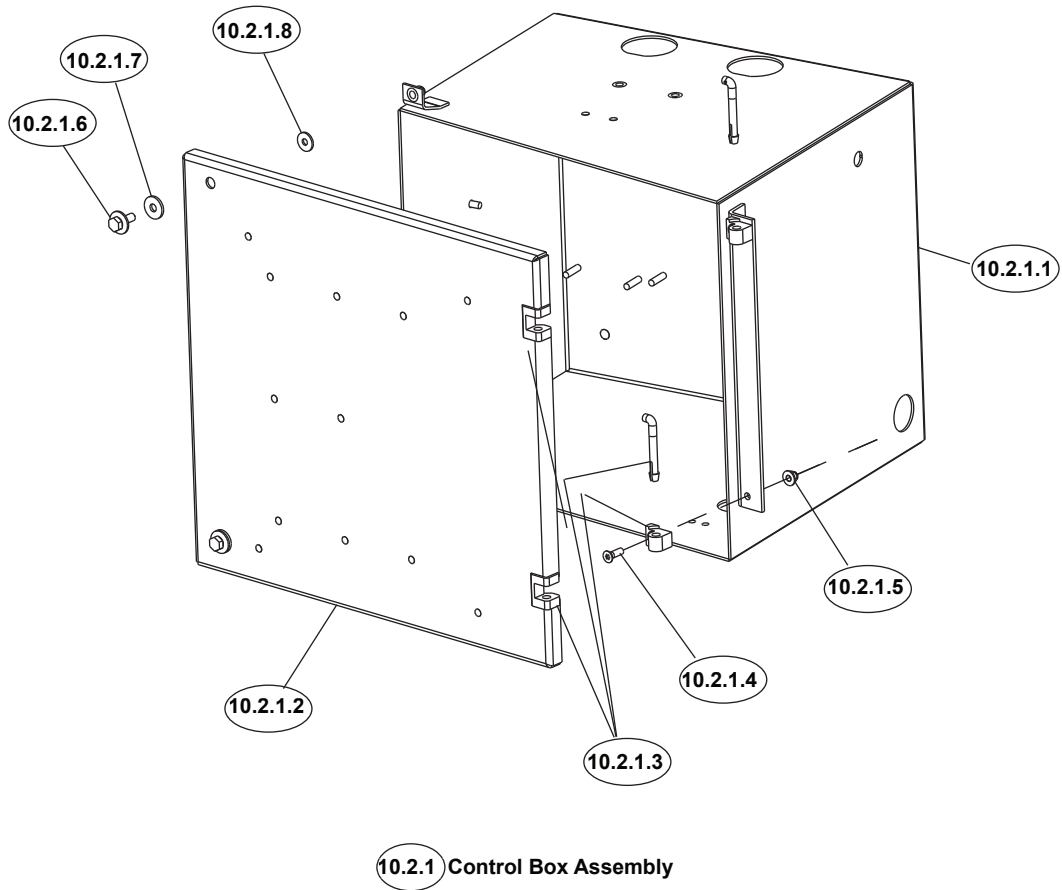


Standby Harness Routing

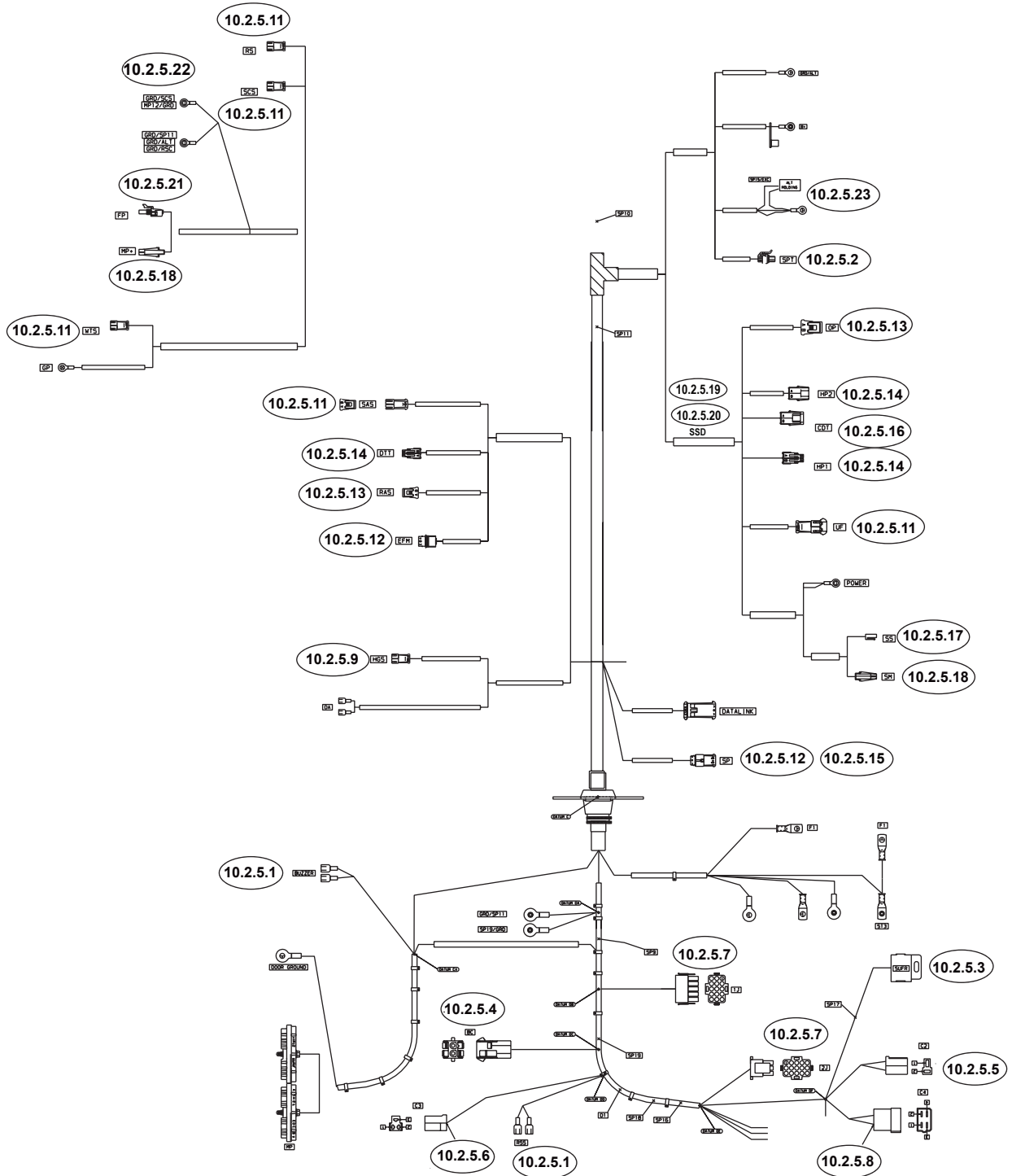


10.5) Panel Assembly

Electrical Kit - Supra 560 with Standby



Electrical Kit - Supra 560 with Standby



10.2.5.10 Grommet Plate (not shown)

10.2.5 Micro Harness

Item Number	Part Number	Part Description	Quantity
10	91-01190-33	Control Box Assembly, 208-230V, 3-Phase	1
10.1	34-60089-05	Nut, Lock, M5, Twolock	4
10.2	91-01190-13	Base, without Electric Heat	1
10.2.1	79-02376-02	Box Assembly, Control Box	1
10.2.1.1	86-03187-00	Control Box, Weld	1
10.2.1.2	68-08160-01	Door, Control Box	1
10.2.1.3	44-00356-00	Hinge, Two Piece, Plastic	2
10.2.1.4	34-60236-16	Screw, M5 x 16mm, 0.62 Long	2
10.2.1.5	34-60235-00	Nut, Lock, M5	2
10.2.1.6	34-60068-20	Screw, Captive Washer, M6 x 20mm Long	2
10.2.1.7	58-60306-06	Washer, Nylon, M6-18	2
10.2.1.8	58-60306-05	Washer, Nylon, M5-15	2
10.2.2	12-00460-06	Circuit Board, Relay and Fuse	1
10.2.2.1	10-00286-10	Relay, DER, EFMR1, EFMR2, EFMR3, GPR, RR, SSR	7
10.2.2.2	10-00385-04	Relay, HR1, RCR, SR	3
10.2.2.3	22-60254-08	Connector, 4-Pin, C4	1
10.2.2.4	22-02336-00	Fuse, 30A, F8, F9, F10	3
10.2.2.5	22-02336-02	Fuse, 5A, F2, F4, F11	3
10.2.2.6	22-02336-04	Fuse, 10A, F5	1
10.2.2.7	22-02336-06	Fuse, 15A, F3	1
10.2.3	42-00715-01	Gasket	1
10.2.4	62-11144-00	Decal, Carrier	1
10.2.5	22-03020-00	Harness, Micro	1
10.2.5.1	22-50099-44	Connector, Female, 1-Pin, RSS, Buzzer	4
10.2.5.2	22-04187-10	Connector Assembly, Female, 3-Pin, SPT	1
10.2.5.3	22-50099-13	Receptacle, Relay, SUFR	1
10.2.5.4	22-60275-21	Connector, Female, 2-Pin, BC	1
10.2.5.5	22-60254-04	Connector, Male, 2-Pin, C2	1
10.2.5.6	22-60254-06	Connector, Male, 3-Pin, C3	1
10.2.5.7	22-60300-12	Connector, Male, 15-Pin, 2J, 1J	2
10.2.5.8	22-60254-09	Connector, Female, 4-Pin, C4	1
10.2.5.9	22-01613-02	Plug, 2-Socket, HGS	1
10.2.5.10	68-08126-00	Grommet Plate	1
10.2.5.11	22-50078-01	Connector, Male, 2-Pin, 3WV, SAS, UF, WTS, SCS, RS	6
10.2.5.12	22-50078-05	Connector, Female, 3-Pin, EFM, SP	2
10.2.5.13	22-50078-02	Connector, Female, 2-Pin, RAS, SAS, OP, UF	4
10.2.5.14	22-01585-00	Connector, Female, 2-Pin, DTT, HP2, HP1	3
10.2.5.15	22-50078-08	Connector, Male, 3-Pin, SP	1
10.2.5.16	22-02392-00	Connector, Male, 2-Pin, HP2, CDT	2
10.2.5.17	22-50098-06	Connector, Female, 1-Pin, SS	1
10.2.5.18	22-50078-64	Connector, Male, 1-Pin, SM, MP+	2
10.2.5.19	22-50078-07	Connector, Male, 1-Pin, SSD	1
10.2.5.20	22-50078-21	Connector, Female, 1-Pin, SSD	1
10.2.5.21	22-50078-63	Connector, Female, 1-Pin, FP	1
10.2.5.22	22-50099-01	Connector, 60-Pin, MP	1
10.2.5.23	12-60004-08	Diode/Resistor Module, Alternator	1

Item Number	Part Number	Part Description	Quantity
10.2.6	34-60089-05	Nut, Lock, M5 Twolock	12
10.2.7	34-00366-09	Washer, Plain, 10	2
10.2.8	34-00774-04	Rivet, Blind, 0.188 Diameter, 0.250-0.500	2
10.2.9	12-00649-47	Logic Board	1
10.2.10	58-00660-00	Washer, Condensate Drain	4
10.2.11	34-00946-105	Nut, Hex, M5	2
10.2.12	34-00946-106	Nut, Hex, M6	1
10.2.13	34-01151-04	Washer, Flat, M4	10
10.2.14	34-01151-05	Washer, Flat, M5	4
10.2.15	34-01327-05	Washer, Lock, M5, Spring	2
10.2.16	34-01327-06	Washer, Lock, M6, Spring	1
10.2.17	34-60000-16	Screw, Machine, Hex Head, M5 x 16 mm, 0.630	4
10.2.18	34-00373-01	Clamp, Tube, .25 Diameter Cushion	1
10.2.19	62-61363-00	Label, Adhesive, On-Off	1
10.2.20	42-60082-00	Gasket, Control Box	1
10.2.21	22-60340-04	Fuse, Midifuse, 80A, F1	2
10.2.22	22-60599-00	Fuse, Holder, Midival	1
10.2.23	10-01129-15	Switch, Toggle, 1-Pole, Off/On	1
10.2.24	42-00583-00	Seal, Panel, Bushing	1
10.2.25	58-60306-13	Washer, Nylon, M12 x 2.4 Thick x 19 OD	1
10.2.26	58-04842-04	Grommet	3
10.2.27	22-02964-00	Cable Assembly, Cab Command, 10M	1
10.2.27.1	22-50422-00	Connector, Female, 8-Pin	1
10.2.27.2	NSS	Connector, 14-Pin, Micro	1
10.2.27.3	22-60275-11	Connector, Male, 2-Pin, BC	1
10.2.27.4	22-50213-00	Connector, Male, 8-Pin, Cab Command	2
10.2.28	10-00375-02	Buzzer, Warning	1
10.2.29	44-60044-09	Clamp, 3/4, Cushion	2
10.2.30	34-01184-04	Nut, Lock, M4, Nylock	10
10.2.31	22-02336-02	Fuse, 5A, F2, F4, F6, F11	4
10.2.32	22-02336-06	Fuse, 15A, F3, F7	2
10.2.33	22-02336-00	Fuse, 30A, F8, F9, F10	3
10.2.34	22-02336-50	Fuse, Removal Tool	1
10.2.35	22-02336-04	Fuse, 10A, F5	1
10.2.36	58-00836-18	Spacer, Nylon	7
10.2.37	58-00079-02	Sta-Strap, 0-1.75 Diameter Cable	3
10.2.38	62-60223-28	Decal, SUFR	1
10.3	91-01186-00	Box Assembly, Standby, 208-230V	1
10.3.1	22-02955-00	Receptacle, 230V, 50A, 3-Phase	1
10.3.2	22-02937-00	Box, Conduit	1
10.3.3	22-02324-11	Bushing, 0.138 ID x 0.709, 10 AWG	7
10.3.4	22-04183-01	Heat Shrink, 1.00 ID, Black	1
10.3.5	58-60298-03	Grommet, Tap	1
10.3.6	58-00079-02	Sta-Strap, 0-1.75 Diameter Cable	1
10.3.7	22-50122-42	Terminal, Ring, 10, AWG, 10-12 Gauge	1
10.3.8	22-02343-05	Connector, 1 NPT, Yellow Ring	1
10.3.9	22-02954-00	Adapter, Receptacle, Inlet	1
10.3.10	22-66654-00	Cable, 10/4, SO, Yellow, 90`C	16.88
10.3.11	34-06136-02	Nut, Lock, 1.00 NPT	1