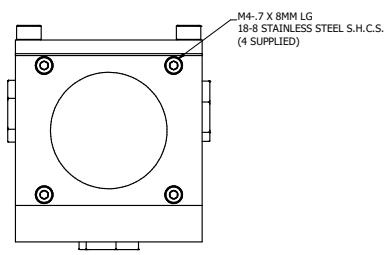
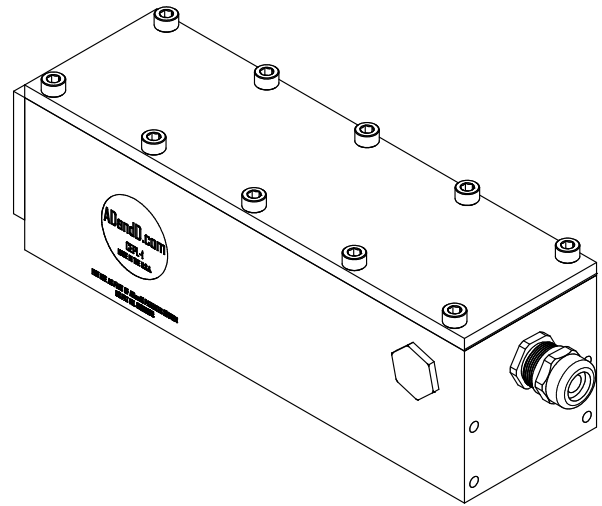
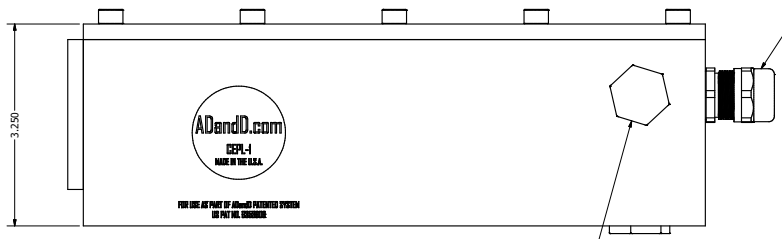


M6-1 X 16MM LG
18-8 STAINLESS STEEL S.H.C.S.
(10 SUPPLIED)



M4-.7 X 8MM LG
18-8 STAINLESS STEEL S.H.C.S.
(4 SUPPLIED)




BLANKING PLUG
(3 SUPPLIED)
TO BE INSTALLED BY CUSTOMER
TO BE INSTALLED IN REMAINING 3 HOLE LOCATIONS

CABLE GLAND
(1 SUPPLIED)
TO BE INSTALLED BY CUSTOMER
MAY BE INSTALLED IN ANY OF THE FOUR HOLE LOCATIONS

WHEN ASSEMBLED PER THE DIRECTIONS ON THE ADandD.com VIDEO
"CAMERA ENCLOSURE WATERPROOFING CABLE GLAND FITTING"
THE CAMERA ENCLOSURE HAS AN IP68 RATING.

MATERIAL:	
BREAK ALL SHARP CORNERS MARK DETAILS WITH PART No. UNLESS OTHERWISE SPECIFIED	
STANDARD TOLERANCE UNLESS OTHERWISE SPECIFIED	
2 PLACE DEC.	± .03
3 PLACE DEC.	± .005
4 PLACE DEC.	± .0005
ANGLES	± 1'

A RELEASED FOR PRODUCTION 10/10/17 DB SR	
REV	DESCRIPTION DATE DWN CHK
REVISIONS	
	
DESCRIPTION	
AD&D SPHERICAL PRODUCTS CAMERA ENCLOSURE	
SCALE: NONE	DRAWN DBIDDINGER DATE 09/17/17
SHEET SIZE D	CHECKED SR DATE
	APPROVED SR DATE
No. OF SHEETS	PART No.
SHEET No. XX	CEPL-1