



Prices effective July 5, 2023

Published July 2023

HermanMiller Ancillary

HermanMiller list prices shown are in USD. For HermanMiller Canadian prices, multiply the USD list price by a factor of 1.20---effective July 2023.

Introduction	page 2
HermanMiller Ancillary	
Seating	3
Side and Stacking Chairs	5
Lounge Seating	82
Stools	219
Benches	246
Work Chairs	255
Sofas	289
Desks and Tables	433
Desks	435
Tables	439
Occasional Tables	460
Storage	521
Accessories	663
Nelson® Bubble Lamps	694
Outdoor Furniture	725
Seating	727
Tables	732
Indices	735
By Name	735
By Number	739
Appendices	
20-Day or Less/Assigned Lead-Time Order Information	
Stain-to-Match Program	
Casters and Glides	
Customer's Own Material/Customer's Own Leather Order Information-Seating	
Proprietary Textiles Application Chart-Ancillary Seating, HermanMiller	
Proprietary Textiles Application Chart-Ancillary Seating, Geiger	
Proprietary Textile Colors-Ancillary Seating	
Maharam Application Chart-Ancillary Seating, HermanMiller	
Maharam Application Chart-Ancillary Seating, Geiger	
Maharam Textile Colors-Ancillary Seating	
For the latest materials information, refer to the Materials pages on HermanMiller.com.	

Introduction

A Note on the Organization of This Book

There are a few signals that will help you understand the organization of this book. Once you know them, you should be able to find your way around easily.

Like a newspaper, this book is formatted with columns of text and illustrations that run vertically.

Information wraps from one column to the next and continues for as many pages as it needs to.

Black bars are clues.

A black bar at the top of a page signals the start of information about a product.

This information is divided into two sections, each signaled by a black bar. Product Information includes a description, additional notes, and dimensional drawings. Specification Information, which always begins at the top of a column, includes a series of steps. Each step represents a decision you need to make in order to complete your product number. Steps must be followed sequentially. The number of pages needed to complete information on a product varies; some will be complete in one page; others may fill three or four pages. Just continue going through the steps until you run into the next product, signaled by the black bar at the top of the page.

Black tabs running along the outside edge of the page help you locate what section you are in or what section you want to go to. You can thumb forwards or backwards to find a section; tabs and text appear on both sides of the page.

The additional pages in the back of the book include the appendices and indices. They are signaled by a long black bar running along the outside edge of the page.

The index is presented two ways.

The first index is in alphabetical order by product name. It can be helpful if you are new to the products and numbering scheme or if you are looking for a type of product, such as work chair or round table.

The second index is by product number. It lists, in alphanumeric order, the base product number, typically a five-digit number.

General Information

This book is effective July 5, 2023, subject to change without notice. Products may be purchased from authorized Herman Miller dealers who will quote prices upon request. For more information about our products and services or to see a list of dealers, visit www.HermanMiller.com.


All prices are list prices. Additional services, such as planning services, design, storage, and installation, are not included and must be added to these prices when the additional services are requested.


Illustrations, specifications, and prices are based on the latest information at the time of publication. The right is reserved to make changes at any time without notice in prices, fabrics, finishes, materials, specifications, and models, and also to discontinue models and finishes.

Dimensions shown in the drawings are engineering drawing dimensions rounded up to the nearest $\frac{1}{8}$ ". Product is shipped set up or knocked down. Products that include "Shipped knocked down" in the description require some assembly. If this statement does not appear in the description, the product is shipped assembled.

Service problems are normally handled by a Herman Miller authorized dealer. Where this cannot be accomplished on a local level, service problems should be referred to the Customer Care Representative for your region, Herman Miller, Inc., Zeeland, Michigan 49464.

20-Day or Less/Assigned Lead-Time Shipments

All products and options in this price book not designated by an Assigned Program icon  will ship in **20 business days or less** after being acknowledged by Herman Miller.

Products and options designated by an  are on the assigned lead-time program and may ship in 20 days, less than 20 days, or more than 20 days from order acknowledgement.

Side & Stacking Chairs

Lounge Seating

Stools

Benches

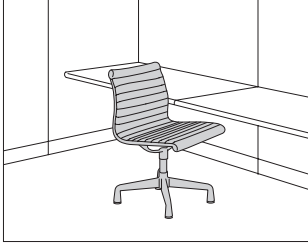
Work Chairs

Sofas



Eames® Aluminum Group Side Chair

EA302
EA306
EA308



Product Information

Description

This low-back chair has a lightweight aluminum frame with suspended upholstery. It has a 4-star base with 1/2" (GD) glides for hard floors or carpet and fixed seat height. The chair is available with or without a swivel mechanism. Arm choices include arms with or without arm pads, or no arms.

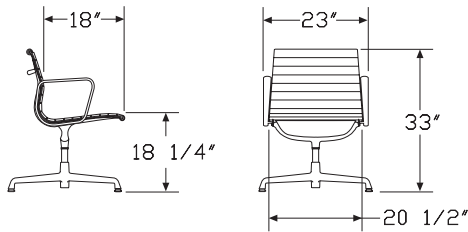
Notes

For description of glide, see Casters and Glides in Appendices.

Arm pad material is leather with limited color options available. Not available as COM or COL.

Customer's Own Material (COM) requires 1 1/3 yards. Customer's Own Leather (COL) requires 45 square feet. See Order Information in Appendices.

Dimensions



Specification Information

Step 1.

EA30 A

Step 2. Arms

- 6** no arms
- 8** arms
- 2** arms with arm pads A

Step 3. Swivel

- S** swivel base
- F** fixed base, no swivel

Prices for Steps 1-3.

EA306 S	\$1871
F	\$1987
EA308 S	\$2441
F	\$2553
EA302 S	\$2546
F	\$2658

Step 4. Base/Frame Finish

L polished aluminum	+\$0
BK black <input type="checkbox"/> A	+\$87
91 white <input type="checkbox"/> A	+\$87
EP eggplant <input type="checkbox"/> A	+\$87

Eames® Aluminum Group Side Chair *continued*

HermanMiller Ancillary-Side & Stacking Chairs

Step 5. Fabric	
Price Category 1	+\$0
Price Category 2	+\$60
Price Category 3	+\$112
Price Category 4	+\$172
Price Category (Geiger) 4	+\$172
Price Category (DWR) 4	+\$143
Price Category 5	+\$188
Price Category (Geiger) 5	+\$188
Price Category 6	+\$269
Price Category (Geiger) 6	+\$246
Price Category 7 <input type="checkbox"/> A	+\$223
Price Category (Geiger) 7	+\$223
Price Category 8	+\$437
Price Category 9	+\$731
Price Category (Geiger) 10	+\$827
Price Category 10M	+\$1040
Price Category 11	+\$950
Price Category B	+\$47
Price Category C	+\$68
Price Category D	+\$90
Price Category F	+\$146
Price Category G	+\$191
Price Category H	+\$232
Price Category I	+\$272
Price Category J	+\$313
Price Category K	+\$353
Price Category L	+\$394
Price Category R	+\$1544
Step 6. Arm Pad Fabric	
<i>For arms with arm pads (2)</i>	
Price Category 11	+\$0
Price Category R	+\$10

Eames® Soft Pad Side Chair

EA402
EA406
EA408



Product Information

Description

This low-back chair has a lightweight aluminum frame and 2" thick upholstered foam cushions. It has a 4-star base with 1/2" (GD) glides for hard floors or carpet and fixed seat height. The chair is available with or without a swivel mechanism. Arm choices include arms with or without arm pads, or no arms.

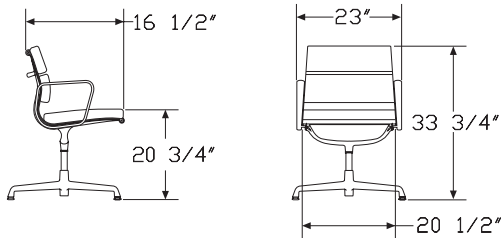
Notes

For description of glides, see Casters and Glides in Appendices.

Arm pad material is leather with limited color options available. Not available as COM or COL.

Customer's Own Material (COM) requires 2 1/2 yards. Customer's Own Leather (COL) requires 45 square feet. See Order Information in Appendices.

Dimensions



Specification Information

Step 1.

EA40 A

Step 2. Arms

6 no arms A

8 arms A

2 arms with arm pads A

Step 3. Swivel

S swivel base A

F fixed base, no swivel A

Prices for Steps 1-3.

EA406 S	\$3361
F	\$3473

EA408 S	\$3928
F	\$4041

EA402 S	\$4033
F	\$4146

Step 4. Base/Frame Finish

L polished aluminum A +\$0

BK black A +\$87

91 white A +\$87

EP eggplant A +\$87

Eames® Soft Pad Side Chair

continued

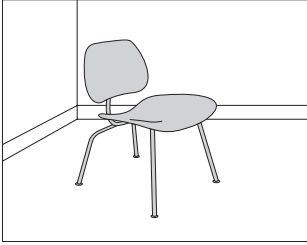
HermanMiller Ancillary-Side & Stacking Chairs

Step 5. Fabric	
Price Category 1	+\$0
Price Category 2	+\$88
Price Category 3	+\$188
Price Category (Geiger) 3	+\$188
Price Category 4	+\$290
Price Category (Geiger) 4	+\$290
Price Category (DWR) 4	+\$242
Price Category 5	+\$349
Price Category (Geiger) 5	+\$349
Price Category 6	+\$371
Price Category (Geiger) 6	+\$407
Price Category 7	+\$356
Price Category (Geiger) 7	+\$356
Price Category 8	+\$437
Price Category 9	+\$710
Price Category 10	+\$706
Price Category (Geiger) 10	+\$803
Price Category 10M	+\$1087
Price Category 11	+\$950
Price Category B	+\$85
Price Category C	+\$126
Price Category D	+\$168
Price Category E	+\$210
Price Category F	+\$276
Price Category G	+\$358
Price Category H	+\$436
Price Category I	+\$511
Price Category J	+\$588
Price Category K	+\$664
Price Category L	+\$740
Price Category P	+\$1045
Price Category R	+\$1584

Step 6. Arm Pad Fabric	
<i>For arms with arm pads (2)</i>	
Price Category 11	+\$0
Price Category R	+\$10

Eames® Molded Plywood Dining
Chair Metal Base

DCM.



Product Information

Description

This 29¹/₂"-high molded plywood chair has natural face veneers, hardwood inner plies, and a 5-ply seat and back. It has a 4-leg base and self-leveling nylon glides. When upholstered, the back and seat shells have exposed veneer on their backside.

Notes

Red stain (11) shell finish is on birch veneer. This stain allows the wood grain to show through; inner plies are visible. Natural variations in wood grain may affect the appearance of this stain color.

Ebony (EN) shell finish is stain on ash veneer; inner plies are not as visible.

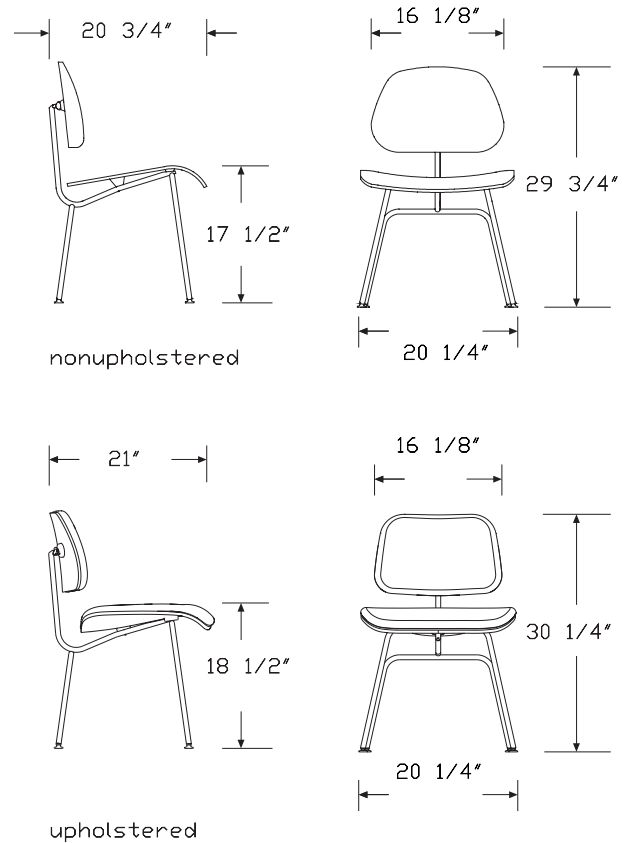
Black (BK) base finish has black glides. Trivalent chrome (47) base finish has white glides.

Santos palisander veneer is celebrated for its unique grain and color variations. Similar products ordered in multiples or dissimilar products ordered separately should be expected to have variation in both grain and color characteristics; no two products will look exactly alike.

Avoid placement in direct sunlight.

Customer's Own Material (COM) requires 1 yard. Customer's Own Leather (COL), requires 18 square feet. See COM Information in Appendices for additional information.

Dimensions



HermanMiller Ancillary—Side & Stacking Chairs

Eames® Molded Plywood Dining Chair Metal Base *continued*

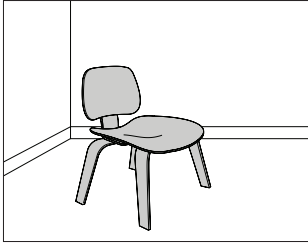
HermanMiller Ancillary-Side & Stacking Chairs

Specification Information	
Step 1.	
DC	<input type="checkbox"/> A
Step 2. Upholstery	
M.	nonupholstered shell <input type="checkbox"/> A
M.U	upholstered shell <input type="checkbox"/> A
Prices for Steps 1-2.	
DCM.	\$1090
DCM.U	\$1798
Step 3. Base Finish	
BK	black <input type="checkbox"/> A +\$0
47	trivalent chrome <input type="checkbox"/> A +\$20
Step 4. Shell Finish	
Wood Veneer	
<i>For nonupholstered shell (M.)</i>	
OU	walnut <input type="checkbox"/> A +\$0
11	red stain <input type="checkbox"/> A +\$115
A2	white ash <input type="checkbox"/> A +\$115
EN	ebony <input type="checkbox"/> A +\$115
9N	santos palisander <input type="checkbox"/> A +\$285
Wood Veneer	
<i>For upholstered shell (M.U)</i>	
OU	walnut <input type="checkbox"/> A +\$0
11	red stain <input type="checkbox"/> A +\$115
A2	white ash <input type="checkbox"/> A +\$115
EN	ebony <input type="checkbox"/> A +\$115
9N	santos palisander <input type="checkbox"/> A +\$285
Step 5. Fabric	
<i>For upholstered shell (M.U)</i>	
Price Category 1	+\$0
Price Category 2	+\$36
Price Category (Geiger) 2	+\$36
Price Category 3	+\$68
Price Category (Geiger) 3	+\$68
Price Category 4	+\$103
Price Category (Geiger) 4	+\$103
Price Category 5	+\$121
Price Category (Geiger) 5	+\$108
Price Category 6	+\$143
Price Category (Geiger) 6	+\$143

Price Category 7	+\$217
Price Category (Geiger) 7	+\$217
Price Category 8	+\$283
Price Category (Geiger) 8	+\$283
Price Category 9	+\$421
Price Category 9	+\$421
Price Category 10	+\$467
Price Category (Geiger) 10	+\$467
Price Category 11	+\$509
Price Category 14	+\$610
Price Category B	+\$34
Price Category C	+\$68
Price Category D	+\$96
Price Category E	+\$139
Price Category F	+\$192
Price Category G	+\$326
Price Category H	+\$366
Price Category I	+\$409
Price Category J	+\$451
Price Category L	+\$554
Price Category K	+\$496
Price Category M	+\$623
Price Category N	+\$665
Price Category O	+\$707
Price Category P	+\$733
Price Category Q	+\$792
Price Category R	+\$853

Eames® Molded Plywood Dining
Chair Wood Base

DCW.



Product Information

Description

This 28³/₄"-high molded plywood chair has natural face veneers, hardwood inner plies, a 5-ply seat and back, and 8-ply legs. When upholstered, the back and seat shells have exposed veneer on their backside.

Notes

Red stain (11) finish is on birch veneer. This stain allows the wood grain to show through; inner plies are visible. Natural variations in wood grain may affect the appearance of this stain color.

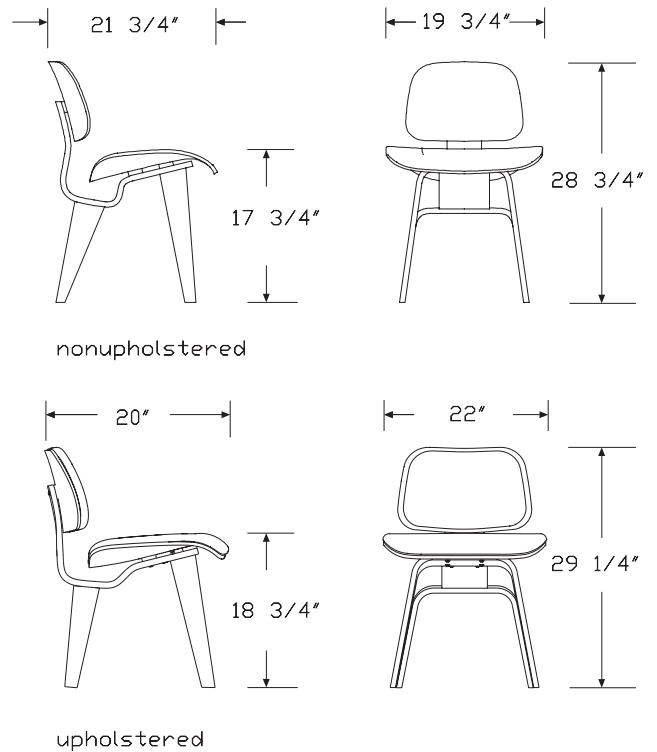
Ebony (EN) shell finish is stain on ash veneer; inner plies are not as visible.

Santos palisander veneer is celebrated for its unique grain and color variations. Similar products ordered in multiples or dissimilar products ordered separately should be expected to have variation in both grain and color characteristics; no two products will look exactly alike.

Avoid placement in direct sunlight.

Customer's Own Material (COM) requires 1 yard. Customer's Own Leather (COL), requires 18 square feet. See COM Information in Appendices for additional information.

Dimensions



HermanMiller Ancillary—Side & Stacking Chairs

Eames® Molded Plywood Dining Chair Wood Base *continued*

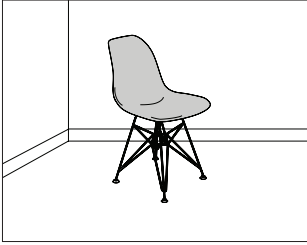
HermanMiller Ancillary-Side & Stacking Chairs

Specification Information	
Step 1.	
DC	<input type="checkbox"/> A
Step 2. Upholstery	
W.	nonupholstered shell <input type="checkbox"/> A
W.U	upholstered shell <input type="checkbox"/> A
Prices for Steps 1-2.	
DCW.	\$1424
DCW.U	\$2037
Step 3. Finish	
<i>For nonupholstered shell (W.)</i>	
OU	walnut <input type="checkbox"/> A +\$0
11	red stain <input type="checkbox"/> A +\$154
A2	white ash <input type="checkbox"/> A +\$154
EN	ebony <input type="checkbox"/> A +\$154
9N	santos palisander <input type="checkbox"/> A +\$575
<i>For upholstered shell (W.U)</i>	
OU	walnut <input type="checkbox"/> A +\$0
11	red stain <input type="checkbox"/> A +\$154
A2	white ash <input type="checkbox"/> A +\$154
EN	ebony <input type="checkbox"/> A +\$154
9N	santos palisander <input type="checkbox"/> A +\$575
Step 4. Fabric	
<i>For upholstered shell (W.U)</i>	
Price Category B	+\$34
Price Category 1	+\$0
Price Category 2	+\$36
Price Category (Geiger) 2	+\$36
Price Category 3	+\$68
Price Category 4	+\$103
Price Category (Geiger) 4	+\$103
Price Category 5	+\$121
Price Category (Geiger) 5	+\$108
Price Category 6	+\$143
Price Category (Geiger) 6	+\$101
Price Category 7	+\$217
Price Category (Geiger) 7	+\$217
Price Category 8	+\$283
Price Category (Geiger) 8	+\$283
Price Category 9	+\$421
Price Category 9	+\$421

Price Category 10	+\$392
Price Category (Geiger) 10	+\$467
Price Category 11	+\$509
Price Category 14	+\$610
Price Category C	+\$68
Price Category D	+\$96
Price Category E	+\$139
Price Category F	+\$192
Price Category G	+\$326
Price Category H	+\$366
Price Category I	+\$409
Price Category J	+\$451
Price Category K	+\$496
Price Category L	+\$554
Price Category M	+\$623
Price Category N	+\$665
Price Category O	+\$707
Price Category P	+\$733
Price Category Q	+\$792
Price Category R	+\$853

Eames® Molded Plastic Side Chair

DSR.
DSS.
DSW.
DSX.



Product Information

Description

This chair has a single-piece nonupholstered shell with waterfall edges and molded plastic seat and flexible back. Base options include a wire base, a stacking/ganging base, a dowel base, or a 4-leg base. The dowel base has non-adjustable nylon glides. Standard glides can be ordered with or without felt. Ships assembled.

Notes

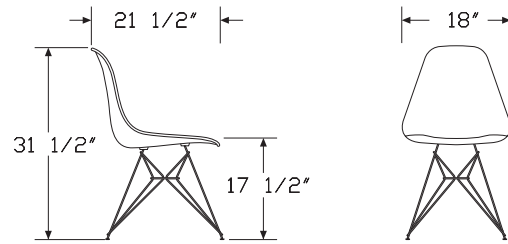
Ebony (EN) and walnut (OU) dowel legs are stained ash wood with black glides.

Natural maple (UL) and white ash (A2) dowel legs have white glides.

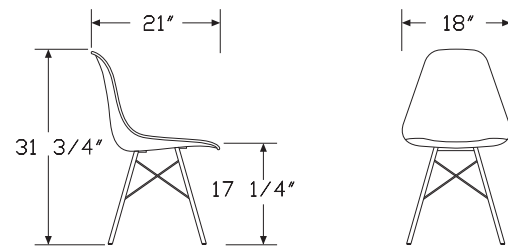
Dowel base has glide option to include felt bottom.

Stacking/ganging base chairs can stack up to 14 high. For ease of mobility, two types of dollies are available, but sold separately.

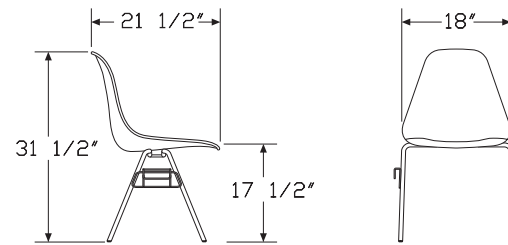
Dimensions



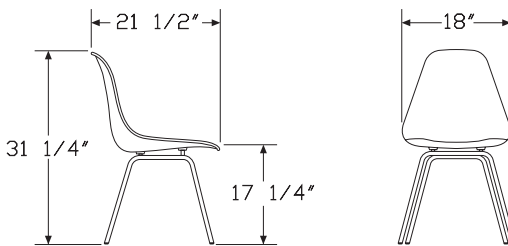
Wire Base



Dowel-Leg Base



Stacking/Ganging Base



4-Leg Base

Eames® Molded Plastic Side Chair *continued*

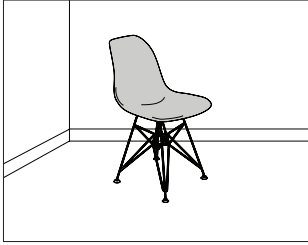
Specification Information	
Step 1.	
DS	
Step 2. Base Option	
R.	wire base with nonupholstered shell
S.	stacking/ganging base with nonupholstered shell
W.	dowel base with nonupholstered shell
X.	4-leg base with nonupholstered shell
Prices for Steps 1-2.	
DSR.	\$514
DSS.	\$527
DSW.	\$718
DSX.	\$466
Step 3. Base Finish	
<i>For wire base with nonupholstered shell (R.) or 4-leg base with nonupholstered shell (X.)</i>	
91	white <input type="checkbox"/> A +\$0
BK	black +\$0
47	trivalent chrome +\$20
<i>For stacking/ganging base with nonupholstered shell (S.)</i>	
47	trivalent chrome +\$20
<i>For dowel base with nonupholstered shell (W.)</i>	
91	white <input type="checkbox"/> A +\$0
BK	black +\$0
47	trivalent chrome <input type="checkbox"/> A +\$20
Step 4. Dowel Finish	
<i>For dowel base with nonupholstered shell (W.)</i>	
UL	natural maple +\$0
A2	white ash <input type="checkbox"/> A +\$30
EN	ebony +\$30
OU	walnut +\$30
WHN	natural white oak <input type="checkbox"/> A +\$30

Step 5. Seat/Back Finish	
BKR	brick red +\$0
BLG	blue green +\$0
CC1	cocoa +\$0
DYL	deep yellow +\$0
EVG	evergreen +\$0
LTY	light grey +\$0
MGR	medium grey +\$0
PBU	pale blue +\$0
RYG	grey green +\$0
ZA	black +\$0
ZE	red orange +\$0
ZF	white +\$0

Step 6. Glide Option	
<i>For stacking/ganging base with nonupholstered shell (S.) or 4-leg base with nonupholstered shell (X.)</i>	
E7	metal swivel glide <input type="checkbox"/> A +\$50
E8	standard glide +\$0
E9	standard glide with felt bottom +\$25
<i>For dowel base with nonupholstered shell (W.)</i>	
E8	standard glide +\$0
E9	standard glide with felt bottom +\$25
<i>For wire base with nonupholstered shell (R.)</i>	
E8	standard glide +\$0
E9	standard glide with felt bottom +\$25

Eames® Molded Plastic Side
Chair Herman Miller x HAY

DSC.

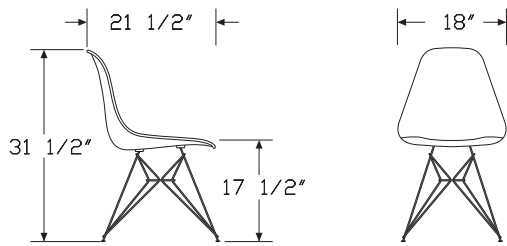


Product Information

Description

This wire base chair has a single-piece nonupholstered shell with waterfall edges and molded plastic seat and flexible back. Standard glides can be ordered with or without felt. Ships assembled.

Dimensions



Wire Base

Specification Information

Step 1.

DSC. A \$514

Step 2. Color Finish

- PDY** powder yellow A +\$0
- MNT** mint green A +\$0
- RND** iron red A +\$0
- TFE** toffee A +\$0
- BCB** black blue A +\$0
- PDK** powder pink A +\$0

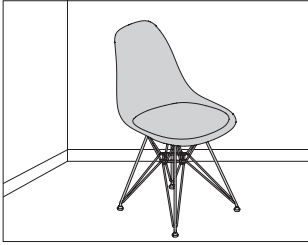
Step 3. Glide Option

- E8** standard glide A +\$0
- E9** standard glide with felt bottom A +\$25

HermanMiller Ancillary-Side & Stacking Chairs

Eames® Upholstered Molded Plastic Side Chair

DSR.
DSW.
DSX.



HermanMiller Ancillary-Side & Stacking Chairs

Product Information

Description

This side chair has a molded 1-piece construction with waterfall edges, molded plastic seat and flexible back. It has a fully upholstered shell or an attached upholstered seat pad. Seat pad is easily removable for cleaning or reupholstery. Base options include a wire base, dowel base, or 4-leg base. The dowel base has non-adjustable nylon glides. Standard glides can be ordered with or without felt. Ships assembled.

Notes

Ebony (EN) and walnut (OU) dowel legs are stained ash wood with black glides.

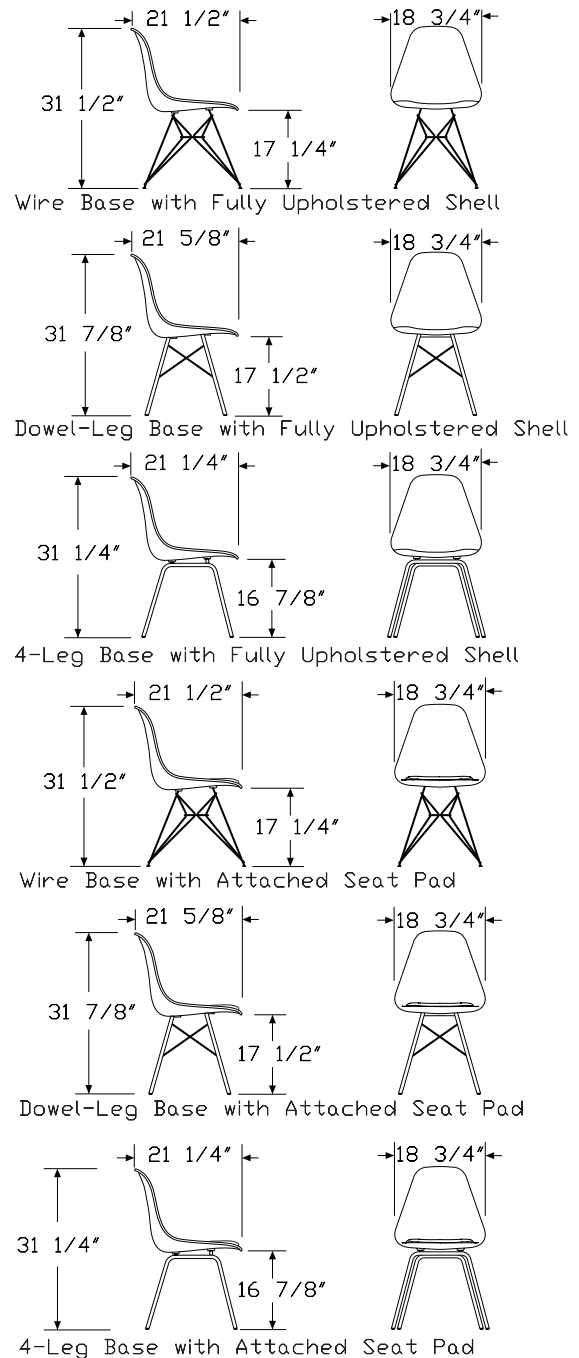
Natural maple (UL) and white ash (A2) dowel legs have white glides.

Dowel base has glide option to include felt bottom.

Seat pad is upholstered with textiles or leather for indoor use only.

For upholstered seat pad (P), Customer's Own Material (COM) requires 1 yard. Customer's Own Leather (COL) requires 9 square feet. See Order Information in appendices.

Dimensions



Eames® Upholstered Molded Plastic Side Chair *continued*

Specification Information

Step 1.

DS

Step 2. Base

R. wire leg

W. dowel base

X. 4-leg base

Step 3. Upholstery

P upholstered seat pad

U fully upholstered shell

Prices for Steps 1-3.

DSR.	P	\$679
	U	\$806

DSW.	P	\$884
	U	\$1011

DSX.	P	\$629
	U	\$759

Step 4. Base Finish

For wire leg (R.) or 4-leg base (X.)

91	white <input type="checkbox"/>	+\$0
BK	black <input type="checkbox"/>	+\$0
47	trivalent chrome <input type="checkbox"/>	+\$20

For dowel base (W.)

91	white <input type="checkbox"/>	+\$0
BK	black <input type="checkbox"/>	+\$0
47	trivalent chrome <input type="checkbox"/>	+\$20

Step 5. Dowel Finish

For dowel base (W.)

UL	natural maple <input type="checkbox"/>	+\$0
A2	white ash <input type="checkbox"/>	+\$30
EN	ebony <input type="checkbox"/>	+\$30
OU	walnut <input type="checkbox"/>	+\$30
WHN	natural white oak <input type="checkbox"/>	+\$30

Step 6. Back Finish

BKR	brick red <input type="checkbox"/>	+\$0
BLG	blue green <input type="checkbox"/>	+\$0
CC1	cocoa <input type="checkbox"/>	+\$0
DYL	deep yellow <input type="checkbox"/>	+\$0
EVG	evergreen <input type="checkbox"/>	+\$0
LTY	light grey <input type="checkbox"/>	+\$0
MGR	medium grey <input type="checkbox"/>	+\$0
PBU	pale blue <input type="checkbox"/>	+\$0
RYG	grey green <input type="checkbox"/>	+\$0
ZA	black <input type="checkbox"/>	+\$0
ZE	red orange <input type="checkbox"/>	+\$0
ZF	white <input type="checkbox"/>	+\$0

Step 7. Edge Finish

For fully upholstered shell (U)

111	parchment <input type="checkbox"/>	+\$0
BK	black <input type="checkbox"/>	+\$0
ZF	white <input type="checkbox"/>	+\$0

Step 8. Upholstery

For fully upholstered shell (U)

Price Category 2	+\$31
Price Category 4	+\$41
Price Category 5	+\$73
Price Category 7	+\$138
Price Category B	+\$36
Price Category H	+\$254
Price Category J	+\$348
Price Category K	+\$456

Eames® Upholstered Molded Plastic Side Chair *continued*

HermanMiller Ancillary-Side & Stacking Chairs

<i>For upholstered seat pad (P)</i>	
Price Category 1	+\$0
Price Category 2	+\$31
Price Category (Geiger) 2	+\$31
Price Category 3	+\$30
Price Category 4	+\$41
Price Category (Geiger) 4	+\$41
Price Category 5	+\$73
Price Category (Geiger) 5	+\$73
Price Category (Geiger) 6	+\$97
Price Category 7	+\$138
Price Category (Geiger) 7	+\$133
Price Category 8	+\$181
Price Category (Geiger) 8	+\$175
Price Category 9	+\$259
Price Category 10	+\$281
Price Category 11	+\$314
Price Category B	+\$36
Price Category C	+\$60
Price Category D	+\$83
Price Category F	+\$154
Price Category G	+\$204
Price Category I	+\$300
Price Category J	+\$348
Price Category K	+\$456
Price Category R	+\$793

Step 9. Glide Option

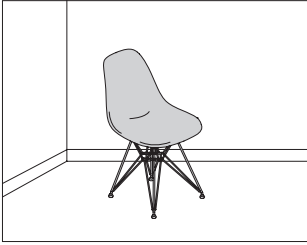
<i>For 4-leg base (X.)</i>	
E7 metal swivel glide <input type="checkbox"/> A	+\$50
E8 standard glide	+\$0
E9 standard glide with felt bottom	+\$25

<i>For wire leg (R.)</i>	
E8 standard glide <input type="checkbox"/> A	+\$0
E9 standard glide with felt bottom <input type="checkbox"/> A	+\$25

<i>For dowel base (W.)</i>	
E8 standard glide <input type="checkbox"/> A	+\$0
E9 standard glide with felt bottom <input type="checkbox"/> A	+\$25

Eames® Molded Fiberglass Side Chair

DFSR.
DFSS.
DFSW.
DFSX.



Product Information

Description

This chair has a single-piece nonupholstered shell with waterfall edges and molded fiberglass seat and flexible back. Base options include a wire base, stacking/ganging base, dowel base, or a 4-leg base. The dowel base has non-adjustable nylon glides. Standard glides can be ordered with or without felt. Ships assembled.

Notes

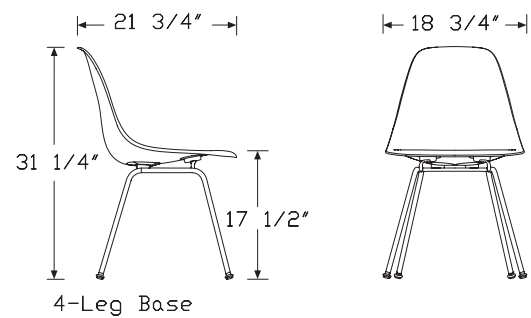
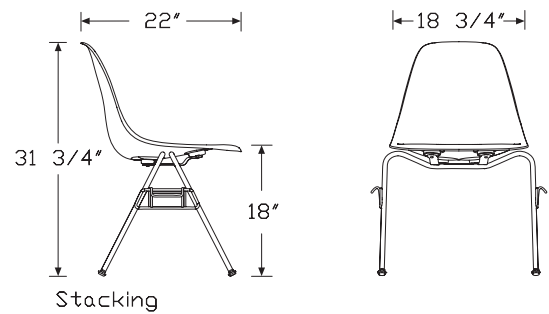
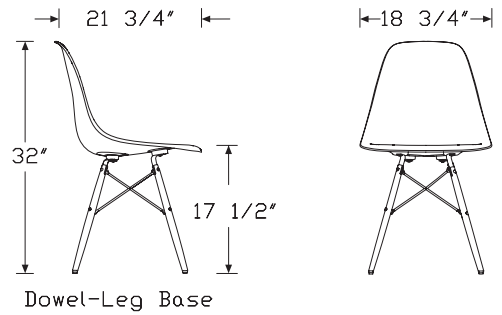
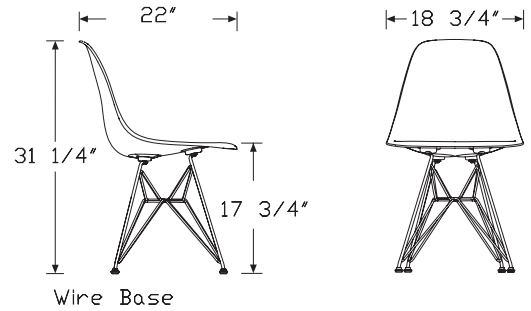
Ebony (EN) and walnut (OU) dowel legs are stained ash wood with black glides.

Natural maple (UL) and white ash (A2) dowel legs have white glides.

Dowel base has glide option to include felt bottom.

Stacking base chairs can stack up to 14 high. For ease of mobility, two types of dollies are available, but sold separately.

Dimensions



Eames® Molded Fiberglass Side Chair *continued*

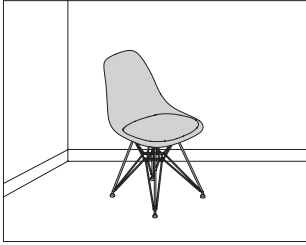
HermanMiller Ancillary-Side & Stacking Chairs

Specification Information	
Step 1.	
DFS	
Step 2. Base Option	
R.	wire base with nonupholstered shell
S.	stacking/ganging base with nonupholstered shell
W.	dowel base with nonupholstered shell
X.	4-leg base with nonupholstered shell
Prices for Steps 1-2.	
DFSR.	\$957
DFSS.	\$975
DFSW.	\$1177
DFSX.	\$907
Step 3. Base Finish	
<i>For wire base with nonupholstered shell (R.) or 4-leg base with nonupholstered shell (X.)</i>	
91	white +\$0
BK	black +\$0
47	trivalent chrome +\$20
<i>For stacking/ganging base with nonupholstered shell (S.)</i>	
47	trivalent chrome +\$20
<i>For dowel base with nonupholstered shell (W.)</i>	
91	white +\$0
BK	black +\$0
47	trivalent chrome +\$20
Step 4. Dowel Finish	
<i>For dowel base with nonupholstered shell (W.)</i>	
UL	natural maple +\$0
A2	white ash +\$30
EN	ebony +\$30
OU	walnut +\$30
WHN	natural white oak <input type="checkbox"/> A +\$30

Step 5. Seat/Back Finish		
111	parchment	+\$0
112	elephant hide grey	+\$0
114	red orange	+\$0
117	navy blue	+\$0
118	black	+\$0
TCA	terra cotta	+\$0
DKS	dark seafoam	+\$0
Step 6. Glide Option		
<i>For stacking/ganging base with nonupholstered shell (S.) or 4-leg base with nonupholstered shell (X.)</i>		
E7	metal swivel glide	+\$50
E8	standard glide	+\$0
E9	standard glide with felt bottom	+\$25
<i>For wire base with nonupholstered shell (R.)</i>		
E8	standard glide	+\$0
E9	standard glide with felt bottom	+\$25
<i>For dowel base with nonupholstered shell (W.)</i>		
E8	standard glide	+\$0
E9	standard glide with felt bottom	+\$25

Eames® Upholstered Molded Fiberglass Side Chair

DFSR.
DFSW.
DFSX.



Product Information

Description

This side chair has a molded 1-piece construction with waterfall edges, molded fiberglass seat and flexible back. It has a fully upholstered shell or an attached upholstered seat pad. Seat pad is easily removable for cleaning or reupholstery. Base options include a wire base, dowel base, or 4-leg base. The dowel base has non-adjustable nylon glides. Standard glides can be ordered with or without felt. Ships assembled.

Notes

Ebony (EN) and walnut (OU) dowel legs are stained ash wood with black glides.

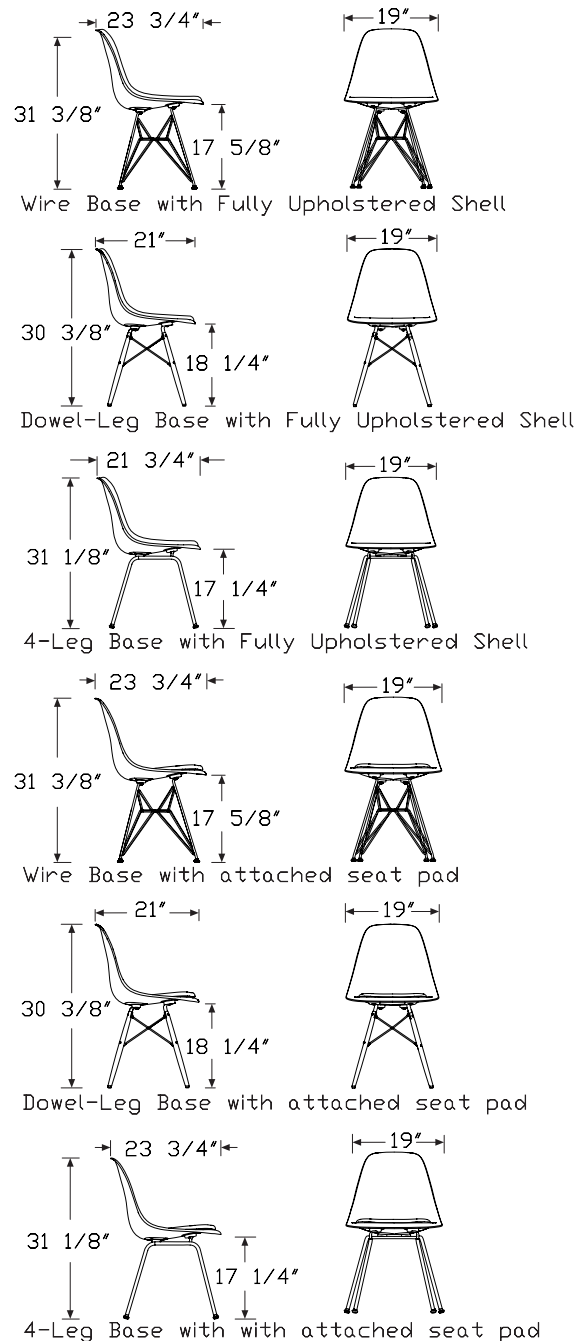
Natural maple (UL) and white ash (A2) dowel legs have white glides.

Dowel base has glide option to include felt bottom.

Seat pad is upholstered with textiles or leather for indoor use only.

For upholstered seat pad (P), Customer's Own Material (COM) requires 1 yard. Customer's Own Leather (COL) requires 9 square feet. See Order Information in appendices.

Dimensions



Eames® Upholstered Molded Fiberglass Side Chair *continued*

HermanMiller Ancillary-Side & Stacking Chairs

Specification Information	
Step 1.	
DFS	A
Step 2. Base	
R.	wire leg A
W.	dowel base A
X.	4-leg base A
Step 3. Upholstery	
U	fully upholstered shell A
P	upholstered seat pad A
Prices for Steps 1-3.	
DFSR. U	\$1272
P	\$1135
DFSW. U	\$1491
P	\$1351
DFSX. U	\$1221
P	\$1082
Step 4. Base Finish	
<i>For wire leg (R.) or 4-leg base (X.)</i>	
91	white A +\$0
BK	black A +\$0
47	trivalent chrome A +\$20
<i>For dowel base (W.)</i>	
91	white A +\$0
BK	black A +\$0
47	trivalent chrome A +\$20
Step 5. Dowel Finish	
<i>For dowel base (W.)</i>	
UL	natural maple A +\$0
A2	white ash A +\$30
EN	ebony A +\$30
OU	walnut A +\$30
WHN	natural white oak A +\$30

Step 6. Back Finish	
111	parchment A +\$0
112	elephant hide grey A +\$0
114	red orange A +\$0
117	navy blue A +\$0
118	black A +\$0
TCA	terra cotta A +\$0
DKS	dark seafoam A +\$0
Step 7. Edge Finish	
<i>For fully upholstered shell (U)</i>	
ZF	white A +\$0
111	parchment A +\$0
BK	black A +\$0
Step 8. Upholstery	
<i>For fully upholstered shell (U)</i>	
Price Category 2	+\$31
Price Category 4	+\$41
Price Category 5	+\$73
Price Category 7	+\$138
Price Category B	+\$54
Price Category H	+\$254
Price Category K	+\$456

Eames® Upholstered Molded Fiberglass Side Chair *continued*

For upholstered seat pad (P)

Price Category 1	+\$0
Price Category 2	+\$31
Price Category (Geiger) 2	+\$31
Price Category 3	+\$36
Price Category 4	+\$41
Price Category (Geiger) 4	+\$41
Price Category 5	+\$73
Price Category (Geiger) 5	+\$73
Price Category (Geiger) 6	+\$97
Price Category 7	+\$138
Price Category (Geiger) 7	+\$133
Price Category 8	+\$181
Price Category (Geiger) 8	+\$175
Price Category 9	+\$259
Price Category 10	+\$281
Price Category 11	+\$314
Price Category B	+\$54
Price Category C	+\$60
Price Category D	+\$83
Price Category E	+\$107
Price Category F	+\$154
Price Category G	+\$204
Price Category I	+\$300
Price Category J	+\$348
Price Category K	+\$456
Price Category R	+\$793

Step 9. Glide Option

For 4-leg base (X)

E7	metal swivel glide <input type="checkbox"/> A	+\$50
E8	standard glide <input type="checkbox"/> A	+\$0
E9	standard glide with felt bottom <input type="checkbox"/> A	+\$25

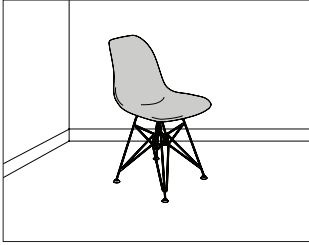
For wire leg (R)

E8	standard glide <input type="checkbox"/> A	+\$0
E9	standard glide with felt bottom <input type="checkbox"/> A	+\$25

For dowel base (W)

E8	standard glide <input type="checkbox"/> A	+\$0
E9	standard glide with felt bottom <input type="checkbox"/> A	+\$25

Eames® Molded Wood Side Chair DWSR.
 DWSW.
 DWSX.



HermanMiller Ancillary-Side & Stacking Chairs

Product Information

Description

This side chair has a molded one-piece construction with waterfall edges, and measures .260" in thickness. Base is attached by non-removable wooden shock mounts. Base options include a wire base, 4-leg base, or a dowel-leg base. The dowel-leg base has non-adjustable nylon glides.

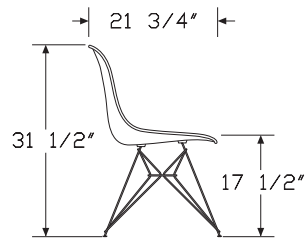
Notes

Ebony (EN) and walnut (OU) dowel legs are stained ash wood with black glides.

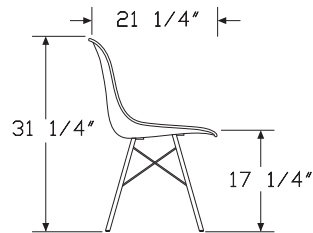
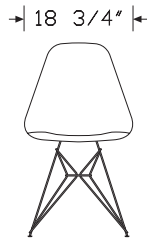
Natural maple (UL) and white ash (A2) dowel legs have white glides.

Dowel base has glide option to include felt bottom.

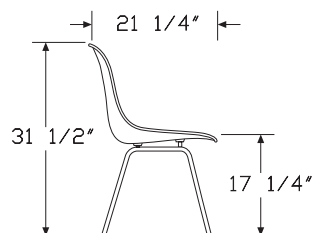
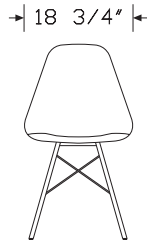
Dimensions



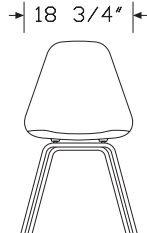
Wire Base



Dowel-Leg Base



4-Leg Base



Specification Information

Step 1.

DWS A

Step 2. Base Option

- R.** wire base
- W.** dowel base A
- X.** 4-leg base A

Prices for Steps 1-2.

DWSR.	\$1061
DWSW.	\$1265
DWSX.	\$1017

Step 3. Base Finish

For wire base (R.) or 4-leg base (X.)

91 white <input type="checkbox"/> A	+\$0
BK black	+\$0
47 trivalent chrome	+\$20

For dowel base (W.)

91 white <input type="checkbox"/> A	+\$0
BK black <input type="checkbox"/> A	+\$0
47 trivalent chrome <input type="checkbox"/> A	+\$20

Step 4. Dowel Finish

For dowel base (W.)

UL natural maple <input type="checkbox"/> A	+\$0
A2 white ash <input type="checkbox"/> A	+\$30
EN ebony <input type="checkbox"/> A	+\$30
OU walnut	+\$30

Step 5. Seat/Back Finish

EN ebony <input type="checkbox"/> A	+\$116
OU walnut <input type="checkbox"/> A	+\$0
A2 white ash <input type="checkbox"/> A	+\$116
9N santos palisander	+\$289

Step 6. Glide Option

For 4-leg base (X.)

E7 metal swivel glide <input type="checkbox"/> A	+\$50
E8 standard glide	+\$0
E9 standard glide with felt bottom	+\$25

Eames® Molded Wood Side Chair

continued

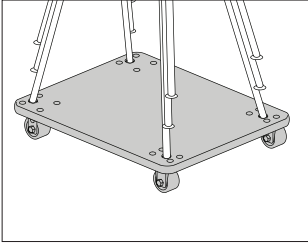
For wire base (R.)

E8	standard glide <input type="checkbox"/> A	+\$0
E9	standard glide with felt bottom <input type="checkbox"/> A	+\$25

For dowel base (W.)

E8	standard glide <input type="checkbox"/> A	+\$0
E9	standard glide with felt bottom <input type="checkbox"/> A	+\$25

Eames® Side Chair Stacking Base DOLLY.
Dolly



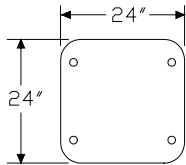
HermanMiller Ancillary-Side & Stacking Chairs

Product Information

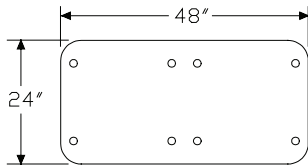
Description
This chair dolly stores and transports up to 28 Eames® plastic side chairs with the stacking/ganging base option. It is made of plywood and has 2 locking and 2 non-locking casters.

Notes
Single dolly supports 1 stack of 14 chairs. Double dolly supports 2 stacks of 14 chairs.

Dimensions



A (Single)



B (Double)

Specification Information

Step 1.

DOLLY.

Step 2. Type

A single

B double

Prices for Steps 1-2.

DOLLY. A \$679

B \$785

Eames® Wire Chair

DKR.
DKW.
DKX.



Product Information

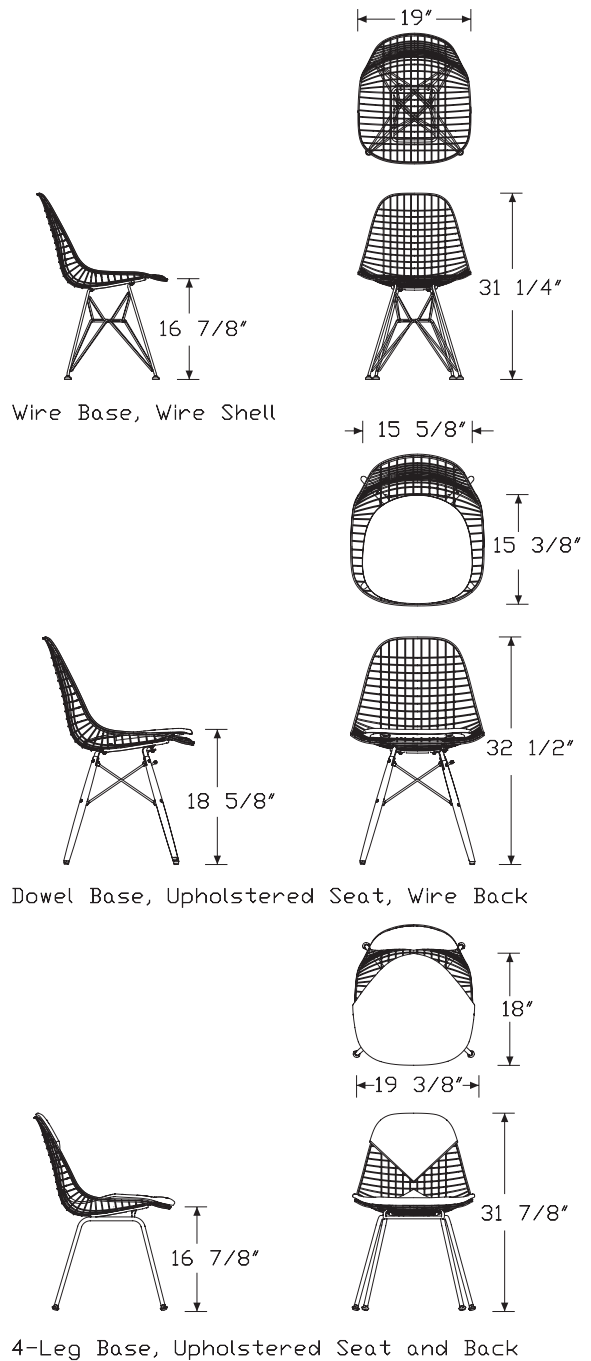
Description

This chair has a wire shell, a wire shell with upholstered seat and back, or a wire shell with upholstered seat and wire back. Wire shell and metal bases are available in trivalent chrome, white or black. Dowel base is available in several finishes. Chair comes with standard indoor glides with or without felt. Suitable for indoor use only.

Notes

For upholstered seat pad (5), Customer's Own Material (COM) requires 1 yard. Customer's Own Leather (COL) requires 9 square feet. See Order Information in appendices.

Dimensions



HermanMiller Ancillary—Side & Stacking Chairs

Specification Information	
Step 1.	
DK	<input type="checkbox"/> A
Step 2. Base	
R.	wire leg <input type="checkbox"/> A
X.	4-leg base <input type="checkbox"/> A
W.	dowel base <input type="checkbox"/> A
Step 3. Seat/Back Material	
0	wire shell
2	wire shell/upholstered seat/back
5	wire shell/upholstered seat/wire back
Prices for Steps 1-3.	
DKR. 0	\$1125
2	\$1806
5	\$1465
DKX. 0	\$1078
2	\$1759
5	\$1420
DKW. 0	\$1330
2	\$2012
5	\$1670
Step 4. Seat Frame/Leg Finish	
<i>For wire leg (R.) or 4-leg base (X.) with wire shell (0), or wire shell/upholstered seat/wire back (5)</i>	
47	trivalent chrome +\$20
91	white +\$0
BK	black +\$0
<i>For dowel base (W.) with wire shell (0), or wire shell/upholstered seat/wire back (5)</i>	
47	trivalent chrome <input type="checkbox"/> A +\$20
91	white <input type="checkbox"/> A +\$0
BK	black <input type="checkbox"/> A +\$0
<i>For wire leg (R.) or 4-leg base (X.) with wire shell/upholstered seat/back (2)</i>	
47	trivalent chrome <input type="checkbox"/> A +\$20
91	white <input type="checkbox"/> A +\$0
BK	black <input type="checkbox"/> A +\$0

<i>For dowel base (W.) with wire shell/upholstered seat/back (2)</i>	
47	trivalent chrome <input type="checkbox"/> A +\$20
91	white <input type="checkbox"/> A +\$0
BK	black <input type="checkbox"/> A +\$0
Step 5. Dowel Finish	
<i>For dowel base (W.) with wire shell (0), wire shell/upholstered seat/back (2), or wire shell/upholstered seat/wire back (5) with trivalent chrome (47), white (91), or black (BK)</i>	
UL	natural maple <input type="checkbox"/> A +\$0
A2	white ash <input type="checkbox"/> A +\$30
EN	ebony <input type="checkbox"/> A +\$30
OU	walnut <input type="checkbox"/> A +\$30
Step 6. Upholstery	
<i>For wire leg (R.), 4-leg base (X.), or dowel base (W.) with wire shell/upholstered seat/back (2) with trivalent chrome (47)</i>	
Price Category 3	+\$36
Price Category 5	+\$73
Price Category (Geiger) 5	+\$73
Price Category 8	+\$175
Price Category 9	+\$259
Price Category 11	+\$314
Price Category B	+\$36
Price Category D	+\$36
Price Category K	+\$456
Price Category R	+\$793

<i>For wire leg (R.), 4-leg base (X.), or dowel base (W.) with wire shell/ upholstered seat/wire back (5) with trivalent chrome (47)</i>	
Price Category 1	+\$0
Price Category 2	+\$31
Price Category (Geiger) 2	+\$31
Price Category 3	+\$36
Price Category 4	+\$41
Price Category (Geiger) 4	+\$41
Price Category 5	+\$73
Price Category (Geiger) 5	+\$73
Price Category (Geiger) 6	+\$97
Price Category 7	+\$138
Price Category (Geiger) 7	+\$133
Price Category 8	+\$175
Price Category (Geiger) 8	+\$175
Price Category 9	+\$259
Price Category 10	+\$281
Price Category 11	+\$314
Price Category B	+\$36
Price Category C	+\$60
Price Category D	+\$36
Price Category E	+\$107
Price Category F	+\$154
Price Category G	+\$204
Price Category H	+\$252
Price Category I	+\$300
Price Category J	+\$348
Price Category K	+\$456
Price Category R	+\$793

<i>For wire leg (R.), 4-leg base (X.), or dowel base (W.) with wire shell/ upholstered seat/back (2) with white (91), or black (BK)</i>	
Price Category 3	+\$36
Price Category 5	+\$73
Price Category 8	+\$175
Price Category 9	+\$259
Price Category 11	+\$314
Price Category B	+\$36
Price Category D	+\$36
Price Category G	+\$204
Price Category K	+\$456
Price Category R	+\$793

<i>For wire leg (R.), 4-leg base (X.), or dowel base (W.) with wire shell/ upholstered seat/wire back (5) with white (91), or black (BK)</i>	
Price Category 1	+\$0
Price Category 2	+\$31
Price Category (Geiger) 2	+\$31
Price Category 3	+\$36
Price Category 4	+\$41
Price Category (Geiger) 4	+\$41
Price Category 5	+\$73
Price Category (Geiger) 5	+\$73
Price Category (Geiger) 6	+\$97
Price Category 7 A	+\$138
Price Category (Geiger) 7	+\$133
Price Category 8	+\$175
Price Category (Geiger) 8	+\$175
Price Category 9	+\$259
Price Category 10	+\$281
Price Category 11	+\$314
Price Category B	+\$36
Price Category C	+\$60
Price Category D	+\$36
Price Category E	+\$107
Price Category F	+\$154
Price Category G	+\$204
Price Category K	+\$456
Price Category R	+\$793

Step 7. Glide Option

<i>For wire leg (R.) or 4-leg base (X.)</i>	
E8 standard glide A	+\$0
E9 standard glide with felt bottom A	+\$25

<i>For dowel base (W.)</i>	
E8 standard glide A	+\$0
E9 standard glide with felt bottom A	+\$25

Eames® Wire Chair Herman Miller x HAY DKC.

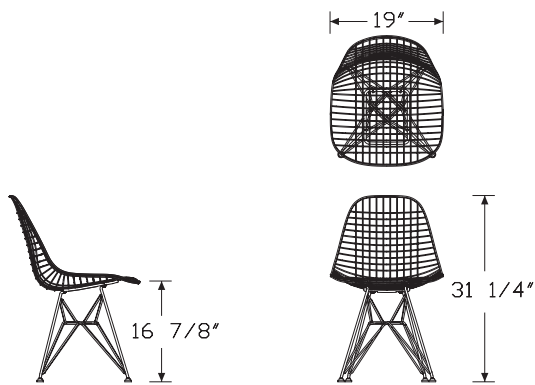


HermanMiller Ancillary-Side & Stacking Chairs

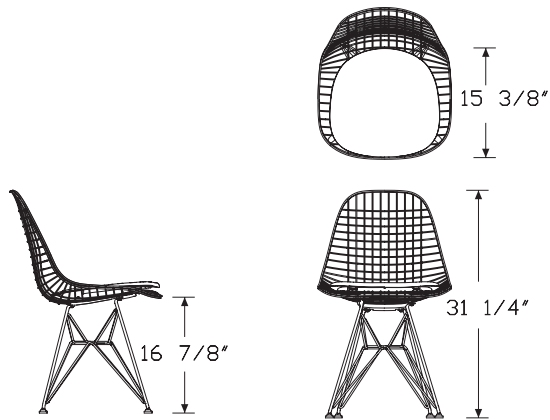
Product Information

Description
 This chair has a wire shell, or a wire shell with upholstered seat and wire back. Suitable for indoor or outdoor use.

Dimensions



Wire Base, Wire Shell



Wire Base, Upholstered Seat, Wire Back

Specification Information

Step 1.

DKC. A

Step 2. Seat/Back Material

- 0** wire shell
- 5** wire shell/upholstered seat/wire back

Prices for Steps 1-2.

DKC.	0	\$1229
	5	\$1635

Step 3. Color Finish

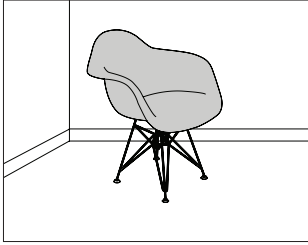
- PDY** powder yellow A +\$0
- MNT** mint green A +\$0
- RND** iron red A +\$0
- BCB** black blue A +\$0

Step 4. Glide Option

- E8** standard glide A +\$0
- E9** standard glide with felt bottom A +\$25

Eames® Molded Plastic Armchair

DAR.
DAW.
DAX.



Product Information

Description

This chair has a single-piece shell with waterfall edges and molded back, seat and arms. Base options include a wire base, dowel base, or a 4-leg base. The dowel base has non-adjustable nylon glides.

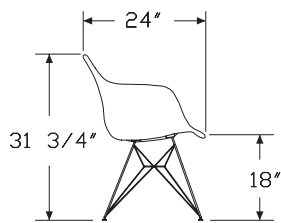
Notes

Ebony (EN) and walnut (OU) dowel legs are stained ash wood with black glides.

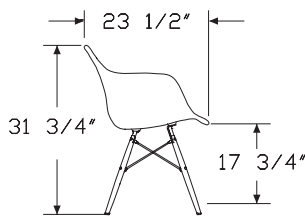
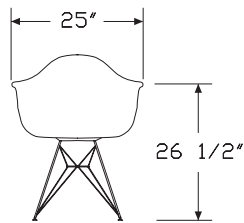
Natural maple (UL) and white ash (A2) dowel legs have white glides.

Dowel base has glide option to include felt bottom.

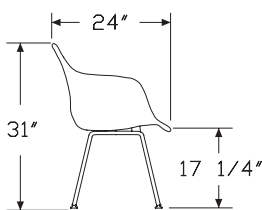
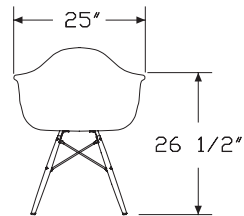
Dimensions



Wire Base



Dowel-Leg Base



4-Leg Base

Specification Information

Step 1.

DA

Step 2. Base Option

- R.** wire base with nonupholstered shell
- W.** dowel base with nonupholstered shell
- X.** 4-leg base with nonupholstered shell

Prices for Steps 1-2.

DAR.	\$705
DAW.	\$909
DAX.	\$656

Step 3. Base Finish

For wire base with nonupholstered shell (R.) or 4-leg base with nonupholstered shell (X.)

91 white <input type="checkbox"/>	+\$0
BK black <input type="checkbox"/>	+\$0
47 trivalent chrome <input type="checkbox"/>	+\$20

For dowel base with nonupholstered shell (W.)

91 white <input type="checkbox"/>	+\$0
BK black <input type="checkbox"/>	+\$0
47 trivalent chrome <input type="checkbox"/>	+\$20

Step 4. Dowel Finish

For dowel base with nonupholstered shell (W.)

UL natural maple <input type="checkbox"/>	+\$0
A2 white ash <input type="checkbox"/>	+\$30
EN ebony <input type="checkbox"/>	+\$30
OU walnut <input type="checkbox"/>	+\$30
WHN natural white oak <input type="checkbox"/>	+\$30

Eames® Molded Plastic Armchair

continued

HermanMiller Ancillary-Side & Stacking Chairs

Step 5. Seat/Back Finish		
BKR	brick red	+\$0
BLG	blue green	+\$0
CC1	cocoa	+\$0
DYL	deep yellow	+\$0
EVG	evergreen	+\$0
LTY	light grey	+\$0
MGR	medium grey	+\$0
PBU	pale blue	+\$0
RYG	grey green	+\$0
ZA	black	+\$0
ZE	red orange	+\$0
ZF	white	+\$0

Step 6. Glide Option		
----------------------	--	--

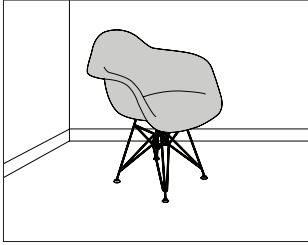
For wire base with nonupholstered shell (R.) or 4-leg base with nonupholstered shell (X.)

E8	standard glide	+\$0
E9	standard glide with felt bottom	+\$25

For dowel base with nonupholstered shell (W.)

E8	standard glide	+\$0
E9	standard glide with felt bottom	+\$25

Eames® Molded Plastic Armchair DAC.
Herman Miller x HAY

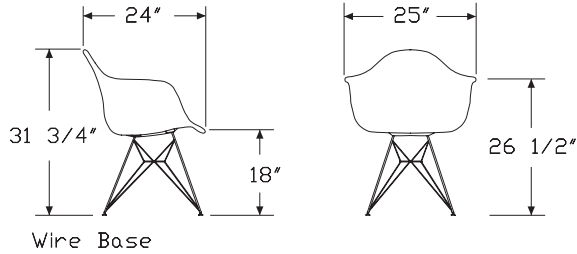


Product Information

Description

This wire base chair has a single-piece shell with waterfall edges and molded back, seat and arms. Standard glides can be ordered with or without felt.

Dimensions



Specification Information

Step 1.

DAC. A \$705

Step 2. Color Finish

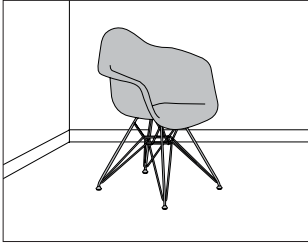
- PDY** powder yellow A +\$0
- MNT** mint green A +\$0
- RND** iron red A +\$0
- TFE** toffee A +\$0
- BCB** black blue A +\$0
- PDK** powder pink A +\$0

Step 3. Glide Option

- E8** standard glide A +\$0
- E9** standard glide with felt bottom A +\$25

Eames® Molded Fiberglass
Armchair

DFAR.
DFAW.
DFAX.



HermanMiller Ancillary-Side & Stacking Chairs

Product Information

Description

This chair has a single-piece nonupholstered shell with waterfall edges and molded fiberglass back, seat and arms. Base options include a wire base, dowel base, or a 4-leg base. The dowel base has nonadjustable nylon glides. Standard glides can be ordered with or without felt. Ships assembled.

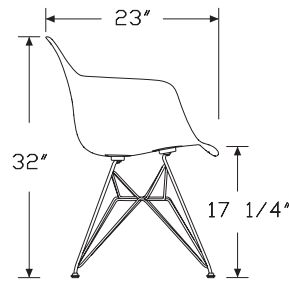
Notes

Ebony (EN) and walnut (OU) dowel legs are stained ash wood with black glides.

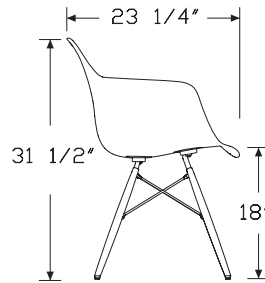
Natural maple (UL) and white ash (A2) dowel legs have white glides.

Dowel base has glide option to include felt bottom.

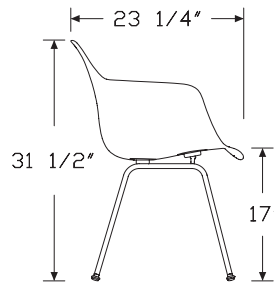
Dimensions



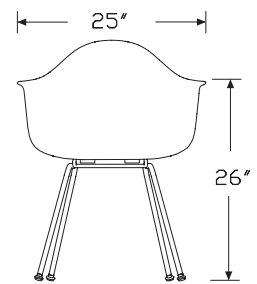
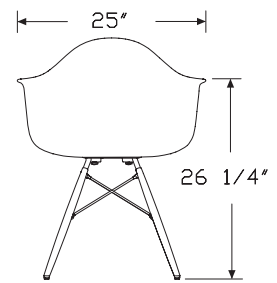
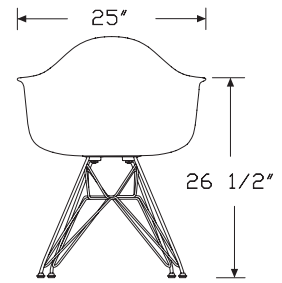
Wire Base



Dowel-Leg Base



4-Leg Base



Eames® Molded Fiberglass Armchair *continued*

Specification Information

Step 1.

DFA

Step 2. Base Option

- R.** wire base with nonupholstered shell
- W.** dowel base with nonupholstered shell
- X.** 4-leg base with nonupholstered shell

Prices for Steps 1-2.

DFAR.	\$1220
DFAW.	\$1447
DFAX.	\$1164

Step 3. Base Finish

For wire base with nonupholstered shell (R.) or 4-leg base with nonupholstered shell (X.)

91 white	+\$0
BK black	+\$0
47 trivalent chrome	+\$20

For dowel base with nonupholstered shell (W.)

91 white	+\$0
BK black	+\$0
47 trivalent chrome	+\$20

Step 4. Dowel Finish

For dowel base with nonupholstered shell (W.)

UL natural maple	+\$0
A2 white ash	+\$30
EN ebony	+\$30
OU walnut	+\$30
WHN natural white oak A	+\$30

Step 5. Seat/Back Finish

111 parchment	+\$0
112 elephant hide grey	+\$0
114 red orange	+\$0
117 navy blue	+\$0
118 black	+\$0
TCA terra cotta	+\$0
DKS dark seafoam	+\$0

Step 6. Glide Option

For wire base with nonupholstered shell (R.) or 4-leg base with nonupholstered shell (X.)

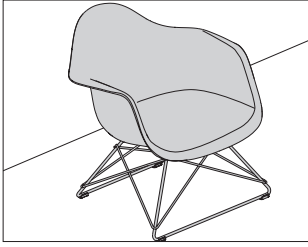
E8 standard glide	+\$0
E9 standard glide with felt bottom	+\$25

For dowel base with nonupholstered shell (W.)

E8 standard glide	+\$0
E9 standard glide with felt bottom	+\$25

Eames® Low Wire Base, Arm Shell

LARF.
LARP.



HermanMiller Ancillary-Side & Stacking Chairs

Product Information

Description

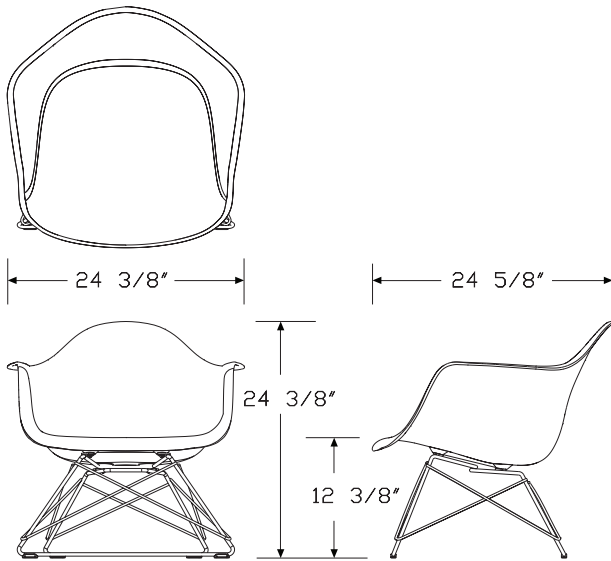
This chair has a single-piece molded fiberglass or plastic shell with waterfall edges on a low wire base. Options include nonupholstered, upholstered seat, back and arms, or an upholstered seat pad. Ships assembled.

Notes

For base finishes black (BK) and trivalent chrome (47), glides are black.

For white (91) base finish, glides are white.

Dimensions



Specification Information

Step 1.

LAR

Step 2. Material

P. plastic

F. fiberglass

Step 3. Upholstery

N nonupholstered

P upholstered seat pad

U fully upholstered shell

Prices for Steps 1-3.

LARF. N	\$740
P	\$899
U	\$1071

LARF. N	\$1156
P	\$1319
U	\$1493

Step 4. Base Finish

91 white <input type="checkbox"/>	+\$0
BK black <input type="checkbox"/>	+\$0
47 trivalent chrome <input type="checkbox"/>	+\$20

Step 5. Back Finish

For plastic (P.)

BKR brick red <input type="checkbox"/>	+\$0
BLG blue green <input type="checkbox"/>	+\$0
CC1 cocoa <input type="checkbox"/>	+\$0
DYL deep yellow <input type="checkbox"/>	+\$0
EVG evergreen <input type="checkbox"/>	+\$0
LTY light grey <input type="checkbox"/>	+\$0
MGR medium grey <input type="checkbox"/>	+\$0
PBU pale blue <input type="checkbox"/>	+\$0
RYG grey green <input type="checkbox"/>	+\$0
ZA black <input type="checkbox"/>	+\$0
ZE red orange <input type="checkbox"/>	+\$0
ZF white <input type="checkbox"/>	+\$0

Eames® Low Wire Base, Arm Shell *continued*

For fiberglass (F.)

111	parchment <input type="checkbox"/> A	+\$0
112	elephant hide grey <input type="checkbox"/> A	+\$0
114	red orange <input type="checkbox"/> A	+\$0
117	navy blue <input type="checkbox"/> A	+\$0
118	black <input type="checkbox"/> A	+\$0
TCA	terra cotta <input type="checkbox"/> A	+\$0
DKS	dark seafoam <input type="checkbox"/> A	+\$0

Step 6. Edge Finish

For fully upholstered shell (U)

111	parchment <input type="checkbox"/> A	+\$0
BK	black <input type="checkbox"/> A	+\$0
ZF	white <input type="checkbox"/> A	+\$0

Step 7. Fabric

For fully upholstered shell (U)

Price Category 2	+\$31
Price Category 4	+\$41
Price Category 5	+\$44
Price Category B	+\$36
Price Category J	+\$348
Price Category K	+\$456

For upholstered seat pad (P)

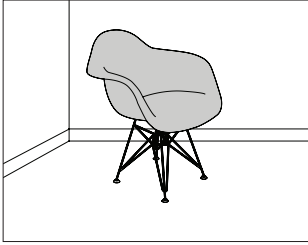
Price Category 4	+\$41
Price Category 1	+\$0
Price Category 2	+\$31
Price Category (Geiger) 2	+\$31
Price Category 3	+\$36
Price Category (Geiger) 4	+\$41
Price Category 5	+\$73
Price Category (Geiger) 5	+\$73
Price Category (Geiger) 6	+\$97
Price Category 7	+\$133
Price Category (Geiger) 7	+\$133
Price Category 8	+\$175
Price Category (Geiger) 8	+\$175
Price Category 9	+\$259
Price Category 10	+\$281
Price Category 11	+\$314
Price Category B	+\$36
Price Category C	+\$60
Price Category D	+\$83
Price Category E	+\$107
Price Category F	+\$154
Price Category G	+\$204
Price Category H	+\$252
Price Category I	+\$300
Price Category J	+\$348
Price Category K	+\$456
Price Category R	+\$793

Step 8. Glide Option

E8	standard glide <input type="checkbox"/> A	+\$0
-----------	---	------

Eames® Upholstered Molded Plastic Armchair

DAR.
DAW.
DAX.



HermanMiller Ancillary-Side & Stacking Chairs

Product Information

Description

This chair has a single-piece molded plastic shell with waterfall edges and upholstered back, seat and arms or an upholstered seat pad. Base options include a wire base, dowel base, or a 4-leg base. The dowel base has non-adjustable nylon glides. Standard glides can be ordered with or without felt. Ships assembled.

Notes

Ebony (EN) and walnut (OU) dowel legs are stained ash wood with black glides.

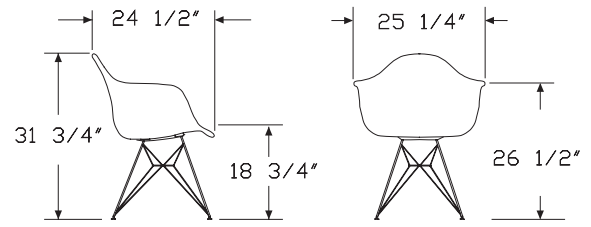
Natural maple (UL) and white ash (A2) dowel legs have white glides.

Dowel base has glide option to include felt bottom.

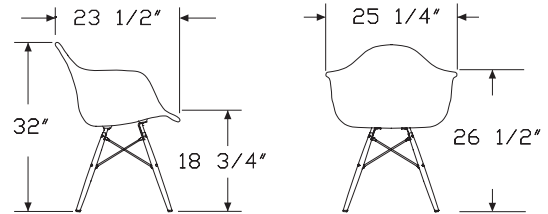
Seat pad upholstered with textiles or leather for indoor use only.

For upholstered seat pad (P), Customer's Own Material (COM) requires 1 yard. Customer's Own Leather (COL) requires 9 square feet. See Order Information in appendices.

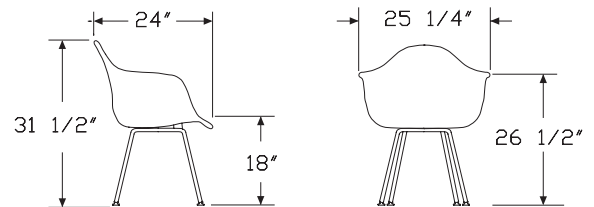
Dimensions



Wire Base



Dowel-Leg Base



4-Leg Base

Eames® Upholstered Molded Plastic Armchair *continued*

Specification Information

Step 1.

DA

Step 2. Base Option

R. wire leg

W. dowel base

X. 4-leg base

Step 3. Upholstery

P upholstered seat pad

U fully upholstered shell

Prices for Steps 1-3.

DAR.	P	\$868
	U	\$1045

DAW.	P	\$1073
	U	\$1249

DAX.	P	\$821
	U	\$998

Step 4. Base Finish

For wire leg (R.) or 4-leg base (X.)

91	white <input type="checkbox"/>	+\$0
BK	black <input type="checkbox"/>	+\$0
47	trivalent chrome <input type="checkbox"/>	+\$20

For dowel base (W.)

91	white <input type="checkbox"/>	+\$0
BK	black <input type="checkbox"/>	+\$0
47	trivalent chrome <input type="checkbox"/>	+\$20

Step 5. Dowel Finish

For dowel base (W.)

UL	natural maple <input type="checkbox"/>	+\$0
A2	white ash <input type="checkbox"/>	+\$30
EN	ebony <input type="checkbox"/>	+\$30
OU	walnut <input type="checkbox"/>	+\$30
WHN	natural white oak <input type="checkbox"/>	+\$30

Step 6. Back Finish

BKR	brick red <input type="checkbox"/>	+\$0
BLG	blue green <input type="checkbox"/>	+\$0
CC1	cocoa <input type="checkbox"/>	+\$0
DYL	deep yellow <input type="checkbox"/>	+\$0
EVG	evergreen <input type="checkbox"/>	+\$0
LTY	light grey <input type="checkbox"/>	+\$0
MGR	medium grey <input type="checkbox"/>	+\$0
PBU	pale blue <input type="checkbox"/>	+\$0
RYG	grey green <input type="checkbox"/>	+\$0
ZA	black <input type="checkbox"/>	+\$0
ZE	red orange <input type="checkbox"/>	+\$0
ZF	white <input type="checkbox"/>	+\$0

Step 7. Edge Finish

For fully upholstered shell (U)

111	parchment <input type="checkbox"/>	+\$0
BK	black <input type="checkbox"/>	+\$0
ZF	white <input type="checkbox"/>	+\$0

Step 8. Fabric

For fully upholstered shell (U)

Price Category J	+\$348
Price Category 2	+\$44
Price Category 4	+\$50
Price Category 5	+\$56
Price Category B	+\$36
Price Category H	+\$254
Price Category K	+\$456

Eames® Upholstered Molded Plastic Armchair *continued*

HermanMiller Ancillary-Side & Stacking Chairs

<i>For upholstered seat pad (P)</i>	
Price Category 1	+\$0
Price Category 2	+\$31
Price Category 2	+\$31
Price Category (Geiger) 2	+\$31
Price Category 3	+\$36
Price Category 4	+\$41
Price Category (Geiger) 4	+\$41
Price Category 5	+\$73
Price Category (Geiger) 5	+\$73
Price Category (Geiger) 6	+\$97
Price Category 7	+\$133
Price Category (Geiger) 7	+\$133
Price Category 8	+\$175
Price Category (Geiger) 8	+\$175
Price Category 9	+\$259
Price Category 10	+\$281
Price Category 11	+\$314
Price Category B	+\$36
Price Category C	+\$60
Price Category D	+\$83
Price Category E	+\$107
Price Category F	+\$154
Price Category G	+\$204
Price Category I	+\$300
Price Category K	+\$456
Price Category R	+\$793

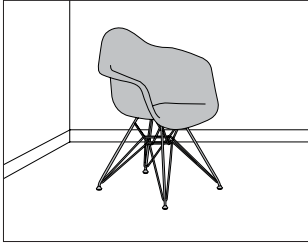
Step 9. Glide Option

<i>For wire leg (R.) or 4-leg base (X.)</i>	
E8 standard glide	+\$0
E9 standard glide with felt bottom	+\$25

<i>For dowel base (W.)</i>	
E8 standard glide <input type="checkbox"/> A	+\$0
E9 standard glide with felt bottom <input type="checkbox"/> A	+\$25

Eames® Upholstered Molded
Fiberglass Armchair

DFAR.
DFAW.
DFAX.



Product Information

Description

This chair has a single-piece molded fiberglass shell with waterfall edges and upholstered back, seat and arms or an upholstered seat pad. Base options include a wire base, dowel base, or 4-leg base. The dowel base has nonadjustable nylon glides. Standard glides can be ordered with or without felt. Ships assembled.

Notes

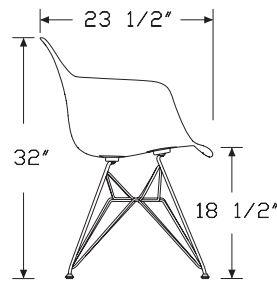
Ebony (EN) and walnut (OU) dowel legs are stained ash wood with black glides.

Natural maple (UL) and white ash (A2) dowel legs have white glides.

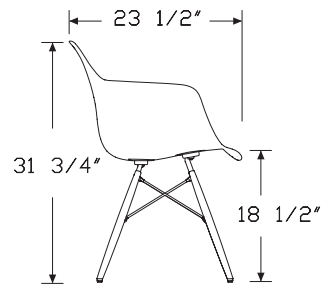
Dowel base has glide option to include felt bottom.

For upholstered seat pad (P), Customer's Own Material (COM) requires 1 yard. Customer's Own Leather (COL) requires 9 square feet. See Order Information in appendices.

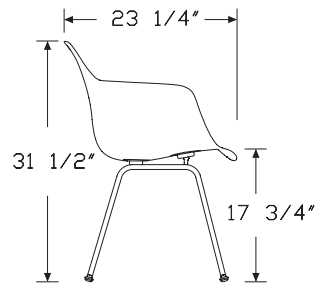
Dimensions



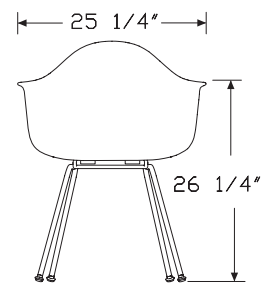
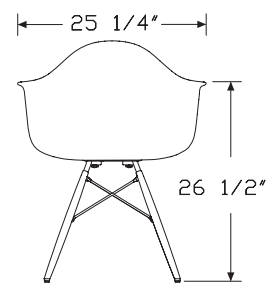
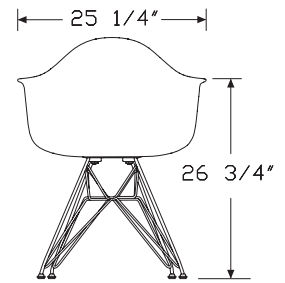
Wire Base



Dowel-Leg Base



4-Leg Base



Eames® Upholstered Molded Fiberglass Armchair *continued*

HermanMiller Ancillary-Side & Stacking Chairs

Specification Information	
Step 1.	
DFA	<input type="checkbox"/> A
Step 2. Base Option	
R.	wire leg <input type="checkbox"/> A
W.	dowel base <input type="checkbox"/> A
X.	4-leg base <input type="checkbox"/> A
Step 3. Upholstery	
U	fully upholstered shell <input type="checkbox"/> A
P	upholstered seat pad <input type="checkbox"/> A
Prices for Steps 1-3.	
DFAR. U	\$1599
P	\$1400
DFAW. U	\$1828
P	\$1629
DFAX. U	\$1547
P	\$1348
Step 4. Base Finish	
<i>For wire leg (R.) or 4-leg base (X.)</i>	
91	white <input type="checkbox"/> A +\$0
BK	black <input type="checkbox"/> A +\$0
47	trivalent chrome <input type="checkbox"/> A +\$20
<i>For dowel base (W.)</i>	
91	white <input type="checkbox"/> A +\$0
BK	black <input type="checkbox"/> A +\$0
47	trivalent chrome <input type="checkbox"/> A +\$20
Step 5. Dowel Finish	
<i>For dowel base (W.)</i>	
UL	natural maple <input type="checkbox"/> A +\$0
A2	white ash <input type="checkbox"/> A +\$30
EN	ebony <input type="checkbox"/> A +\$30
OU	walnut <input type="checkbox"/> A +\$30
WHN	natural white oak <input type="checkbox"/> A +\$30

Step 6. Back Finish	
111	parchment <input type="checkbox"/> A +\$0
112	elephant hide grey <input type="checkbox"/> A +\$0
114	red orange <input type="checkbox"/> A +\$0
117	navy blue <input type="checkbox"/> A +\$0
118	black <input type="checkbox"/> A +\$0
TCA	terra cotta <input type="checkbox"/> A +\$0
DKS	dark seafoam <input type="checkbox"/> A +\$0
Step 7. Edge Finish	
<i>For fully upholstered shell (U)</i>	
111	parchment <input type="checkbox"/> A +\$0
BK	black <input type="checkbox"/> A +\$0
ZF	white <input type="checkbox"/> A +\$0
Step 8. Fabric	
<i>For fully upholstered shell (U)</i>	
	Price Category 2 +\$44
	Price Category 4 +\$50
	Price Category 5 +\$56
	Price Category B +\$54
	Price Category H +\$254
	Price Category J +\$348
	Price Category K +\$456

Eames® Upholstered Molded Fiberglass Armchair *continued*

<i>For upholstered seat pad (P)</i>	
Price Category 1	+\$0
Price Category 2	+\$31
Price Category (Geiger) 2	+\$31
Price Category 3	+\$36
Price Category 4	+\$41
Price Category (Geiger) 4	+\$41
Price Category 5	+\$73
Price Category (Geiger) 5	+\$73
Price Category (Geiger) 6	+\$97
Price Category 7	+\$133
Price Category (Geiger) 7	+\$133
Price Category 8	+\$175
Price Category (Geiger) 8	+\$175
Price Category 9	+\$259
Price Category 10	+\$281
Price Category 11	+\$314
Price Category B	+\$36
Price Category C	+\$60
Price Category D	+\$83
Price Category E	+\$107
Price Category F	+\$154
Price Category G	+\$204
Price Category I	+\$300
Price Category J	+\$348
Price Category K	+\$456
Price Category R	+\$793

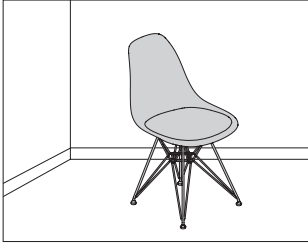
Step 9. Glide Option

<i>For wire leg (R.) or 4-leg base (X.)</i>	
E8 standard glide <input type="checkbox"/>	+\$0
E9 standard glide with felt bottom <input type="checkbox"/>	+\$25

<i>For dowel base (W.)</i>	
E8 standard glide <input type="checkbox"/>	+\$0
E9 standard glide with felt bottom <input type="checkbox"/>	+\$25

Eames® Upholstered Molded Wood Side Chair

DWSR.
DWSW.
DWSX.



HermanMiller Ancillary-Side & Stacking Chairs

Product Information

Description

This side chair has a molded one-piece construction with waterfall edges, and measures .260" in thickness. It comes with an attached upholstered seat pad that is easily removable for cleaning or reupholstery. Base is attached by non-removable wooden shock mounts. Base options include a wire base, 4-leg base, or a dowel-leg base. The dowel-leg base has non-adjustable nylon glides.

Notes

Ebony (EN) and walnut (OU) dowel legs are stained ash wood with black glides.

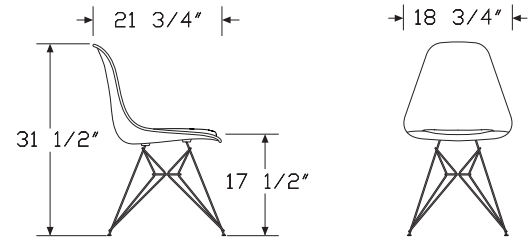
Natural maple (UL) and white ash (A2) dowel legs have white glides.

Dowel base has glide option to include felt bottom.

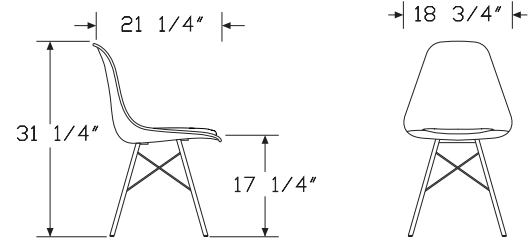
Seat pad is upholstered with textiles or leather for indoor use only.

Customer's Own Material (COM) requires 1 yard. Customer's Own Leather (COL) requires 9 square feet. See Order Information in appendices.

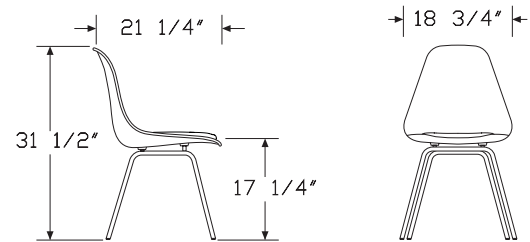
Dimensions



Wire Base



Dowel-Leg Base



4-Leg Base

Eames® Upholstered Molded Wood Side Chair *continued*

Specification Information

Step 1.

DWS

Step 2. Base Option

- R.** wire base
- W.** dowel base
- X.** 4-leg base

Step 3. Upholstery

P upholstered seat pad

Prices for Steps 1-3.

DWSR. P \$1227

DWSW. P \$1431

DWSX. P \$1179

Step 4. Base Finish

For wire base (R.) or 4-leg base (X.)

- 91** white +\$0
- BK** black +\$0
- 47** trivalent chrome +\$20

For dowel base (W.)

- 91** white +\$0
- BK** black +\$0
- 47** trivalent chrome +\$20

Step 5. Dowel Finish

For dowel base (W.)

- UL** natural maple +\$0
- A2** white ash +\$30
- EN** ebony +\$30
- OU** walnut +\$30

Step 6. Seat/Back Finish

- EN** ebony +\$116
- OU** walnut +\$0
- A2** white ash +\$116
- 9N** santos palisander +\$289

Step 7. Upholstery

- Price Category 1 +\$0
- Price Category 2 +\$31
- Price Category (Geiger) 2 +\$31
- Price Category 3 +\$36
- Price Category 4 +\$41
- Price Category (Geiger) 4 +\$41
- Price Category 5 +\$73
- Price Category (Geiger) 5 +\$73
- Price Category (Geiger) 6 +\$97
- Price Category 7 +\$138
- Price Category (Geiger) 7 +\$133
- Price Category 8 +\$181
- Price Category (Geiger) 8 +\$175
- Price Category 9 +\$259
- Price Category 10 +\$281
- Price Category 11 +\$314
- Price Category B +\$36
- Price Category C +\$60
- Price Category D +\$83
- Price Category E +\$107
- Price Category F +\$154
- Price Category G +\$204
- Price Category H +\$252
- Price Category I +\$300
- Price Category J +\$348
- Price Category K +\$456
- Price Category R +\$793

Step 8. Glide Option

For 4-leg base (X.)

- E7** metal swivel glide +\$50
- E8** standard glide +\$0
- E9** standard glide with felt bottom +\$25

For wire base (R.)

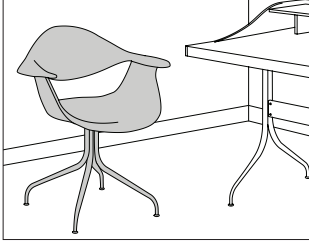
- E8** standard glide +\$0
- E9** standard glide with felt bottom +\$25

For dowel base (W.)

- E8** standard glide +\$0
- E9** standard glide with felt bottom +\$25

Nelson™ Swag Leg Armchair

DAF



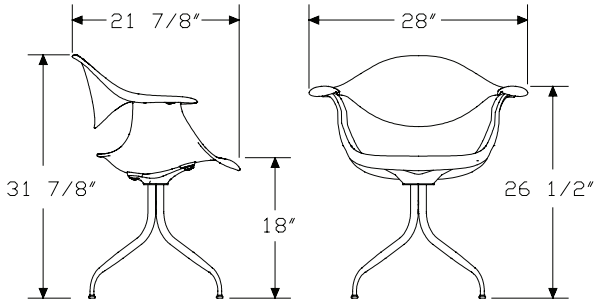
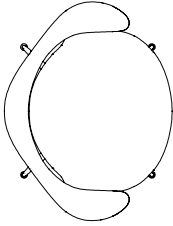
HermanMiller Ancillary-Side & Stacking Chairs

Product Information

Description

This chair has a 2-piece molded seat with arms and back, waterfall edges, a cast-aluminum base with steel-tube legs, and adjustable glides.

Dimensions



Specification Information

Step 1.

DAF A \$1005

Step 2. Base Finish

CH chrome A +\$0

Step 3. Seat Finish

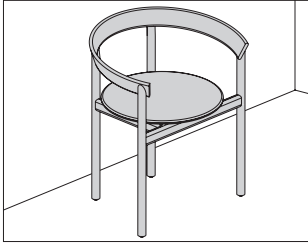
ZF white A +\$0

Step 4. Back Finish

ZF white A +\$0

Comma Chair with Arms

WA10A

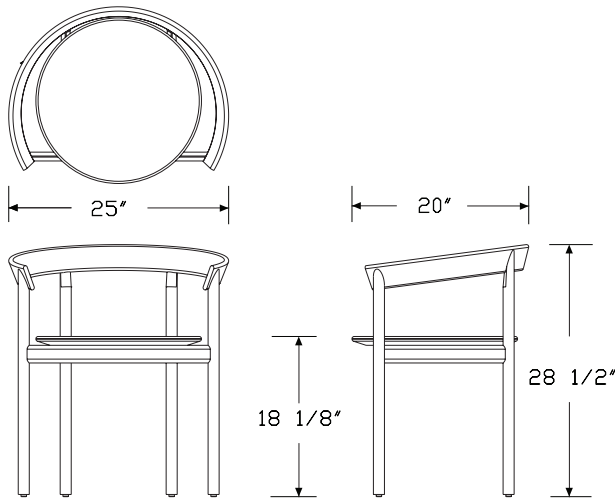


Product Information

Description

This chair with arms has a solid wood seat and frame. The back hoop is bent plywood with veneer finish. Optional upholstered seat has a wood core with 1/2" foam covered with textile or leather. All models come standard with nylon glides.

Dimensions



Specification Information

Step 1.

WA10 A

Step 2. Configuration

A Frame with Arms A

Step 3. Seat

U upholstered A

N non-upholstered A

Step 4. Frame and Back

B beech A

O oak A

Prices for Steps 1-4.

	B	O
WA10A U	\$1369	1540
N	\$1369	1540

Step 5. Frame and Back Finish

For oak (O)

WHN white oak A +\$0

For beech (B)

BSB blue stained beech A +\$0

RST red stained beech A +\$0

WTS white stained beech A +\$0

YRB black stained beech A +\$0

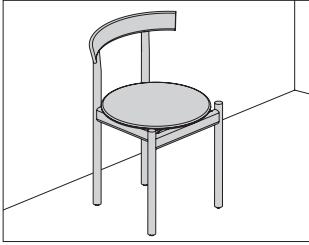
Step 6. Seat Upholstery

For upholstered (U)

Price Category 10M +\$294

Comma Chair, Armless

WA10N



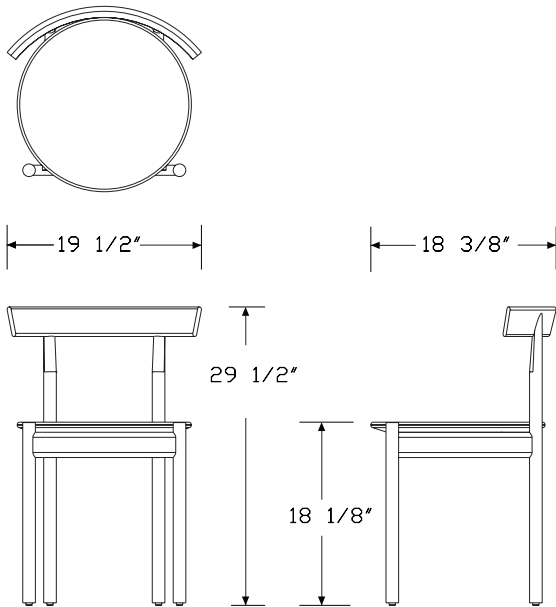
HermanMiller Ancillary-Side & Stacking Chairs

Product Information

Description

This chair has a solid wood seat and frame. The back hoop is bent plywood with veneer finish. Optional upholstered seat has a wood core with 1/2" foam covered with textile or leather. All models come standard with nylon glides.

Dimensions



Specification Information

Step 1.

WA10 A

Step 2. Configuration

N no arms A

Step 3. Seat

U upholstered A

N non-upholstered A

Step 4. Frame and Back

B beech A

O oak A

Prices for Steps 1-4.

		B	O
WA10N	U	\$1100	1284
	N	\$1100	1284

Step 5. Frame and Back Finish

For oak (O)

WHN white oak A +\$0

For beech (B)

BSB blue stained beech A +\$0

RST red stained beech A +\$0

WTS white stained beech A +\$0

YRB black stained beech A +\$0

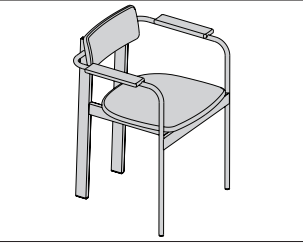
Step 6. Seat Upholstery

For upholstered (U)

Price Category 10M +\$294

Betwixt Chair with Arms

LN10A



Product Information

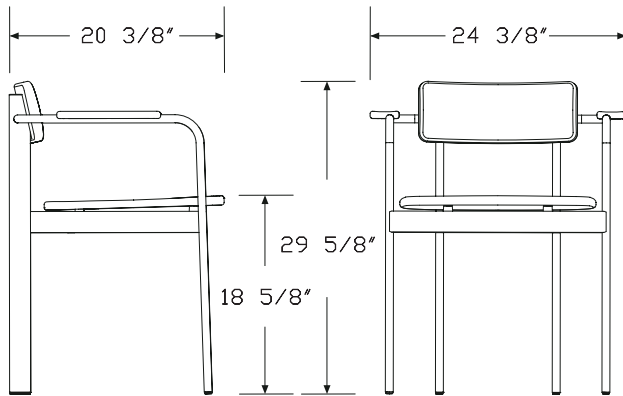
Description

This side chair with arms has a steel tube frame with a choice of solid wood, cork, or upholstered seat and back. Arm finish options include solid oak, walnut, or cork. Chair comes standard with polymer glides suitable for multiple floor surfaces.

Notes

Customer's Own Material (COM) requires $\frac{3}{4}$ yards for the seat and $\frac{3}{4}$ yards for the back. Customer's Own Leather (COL) requires $13\frac{1}{2}$ square feet for the seat and $13\frac{1}{2}$ square feet for the back. See Order Information in appendices.

Dimensions



Specification Information

Step 1.

LN10

Step 2. Frame

A frame with arms

Step 3. Seat

O oak

W walnut

U upholstered

C cork

Step 4. Back

O oak

W walnut

U upholstered

C cork

Prices for Steps 1-4.

		O	W	U	C
LN10A	O	\$1301	1399	1367	1080
	W	\$1399	1497	1464	1179
	U	\$1367	1464	1432	1145
	C	\$1080	1179	1145	860

Step 5. Frame Finish

BK black +\$0

WN warm grey +\$0

DB3 glacier +\$0

Step 6. Seat Finish

For oak (O)

WHN white oak +\$0

For walnut (W)

OU walnut +\$0

For cork (C)

LTC light cork +\$0

Betwixt Chair with Arms *continued*

HermanMiller Ancillary-Side & Stacking Chairs

Step 7. Seat Fabric	
<i>For upholstered (U)</i>	
Price Category 1 <input type="checkbox"/> A	+\$0
Price Category 2	+\$44
Price Category 4	+\$68
Price Category (Geiger) 4	+\$68
Price Category (Geiger) 5	+\$98
Price Category 7 <input type="checkbox"/> A	+\$133
Price Category (Geiger) 7	+\$160
Price Category (Geiger) 8	+\$244
Price Category 9	+\$302
Price Category (Geiger) 10	+\$348
Price Category 11	+\$389
Price Category (Geiger) 11	+\$389
Price Category (Geiger) 14	+\$510
Price Category (Geiger) C	+\$50
Price Category (Geiger) D	+\$66
Price Category (Geiger) G	+\$96
Price Category (Geiger) J	+\$228

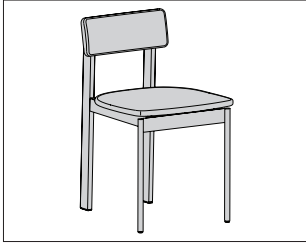
Step 8. Back Finish	
<i>For oak (O)</i>	
WHN white oak <input type="checkbox"/> A	+\$0
<i>For walnut (W)</i>	
OU walnut <input type="checkbox"/> A	+\$0
<i>For cork (C)</i>	
LTC light cork <input type="checkbox"/> A	+\$0

Step 9. Back Fabric	
<i>For upholstered (U)</i>	
Price Category 1 <input type="checkbox"/> A	+\$0
Price Category 2	+\$44
Price Category 4	+\$68
Price Category (Geiger) 4	+\$68
Price Category (Geiger) 5	+\$98
Price Category 7 <input type="checkbox"/> A	+\$133
Price Category (Geiger) 7	+\$160
Price Category (Geiger) 8	+\$244
Price Category 9	+\$302
Price Category (Geiger) 10	+\$348
Price Category 11	+\$389
Price Category (Geiger) 11	+\$389
Price Category (Geiger) 14	+\$510
Price Category (Geiger) C	+\$50
Price Category (Geiger) D	+\$66
Price Category (Geiger) G	+\$96
Price Category (Geiger) J	+\$228

Step 10. Arm Finish	
OU walnut <input type="checkbox"/> A	+\$0
WHN white oak <input type="checkbox"/> A	+\$0
LTC light cork <input type="checkbox"/> A	+\$0

Betwixt Chair, Armless

LN10N



Product Information

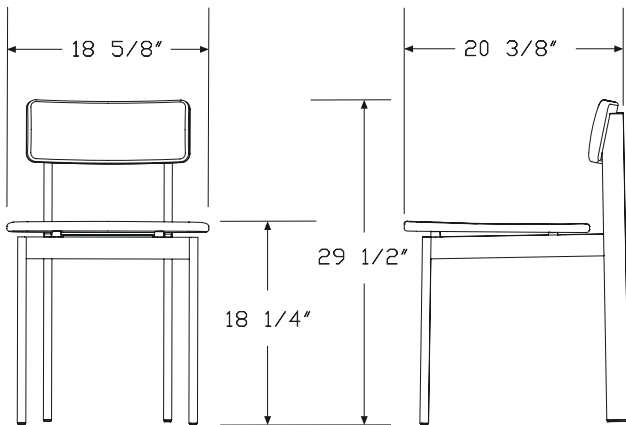
Description

This side chair has a steel tube frame with a choice of solid wood, cork, or upholstered seat and back. Chair comes standard with polymer glides suitable for multiple floor surfaces.

Notes

Customer's Own Material (COM) requires $\frac{3}{4}$ yards for the seat and $\frac{3}{4}$ yards for the back. Customer's Own Leather (COL) requires $13\frac{1}{2}$ square feet for the seat and $13\frac{1}{2}$ square feet for the back. See Order Information in appendices.

Dimensions



Specification Information

Step 1.

LN10

Step 2. Frame

N no arm

Step 3. Seat

O oak

W walnut

U upholstered

C cork

Step 4. Back

C cork

O oak

U upholstered

W walnut

Prices for Steps 1-4.

		C	O	U	W
LN10N	O	\$977	1172	1236	1268
	W	\$1075	1268	1335	1367
	U	\$1042	1236	1301	1335
	C	\$782	977	1042	1075

Step 5. Frame Finish

BK black +\$0

WN warm grey +\$0

DB3 glacier +\$0

Step 6. Seat Finish

For oak (O)

WHN white oak +\$0

For walnut (W)

OU walnut +\$0

For cork (C)

LTC light cork +\$0

Betwixt Chair, Armless *continued*

HermanMiller Ancillary-Side & Stacking Chairs

Step 7. Seat Fabric	
<i>For upholstered (U)</i>	
Price Category 1 <input type="checkbox"/> A	+\$0
Price Category 2	+\$44
Price Category 4	+\$68
Price Category (Geiger) 4	+\$68
Price Category (Geiger) 5	+\$98
Price Category 7 <input type="checkbox"/> A	+\$133
Price Category (Geiger) 7	+\$160
Price Category (Geiger) 8	+\$244
Price Category 9	+\$302
Price Category (Geiger) 10	+\$348
Price Category 11	+\$389
Price Category (Geiger) 11	+\$389
Price Category (Geiger) 14	+\$510
Price Category (Geiger) C	+\$50
Price Category (Geiger) D	+\$66
Price Category (Geiger) G	+\$96
Price Category (Geiger) J	+\$228

Step 8. Back Finish

<i>For oak (O)</i>	
WHN white oak <input type="checkbox"/> A	+\$0

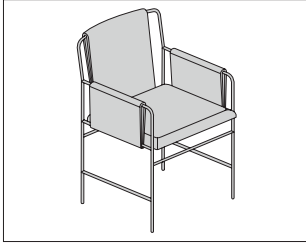
<i>For walnut (W)</i>	
OU walnut <input type="checkbox"/> A	+\$0

<i>For cork (C)</i>	
LTC light cork <input type="checkbox"/> A	+\$0

Step 9. Back Fabric	
<i>For upholstered (U)</i>	
Price Category 1 <input type="checkbox"/> A	+\$0
Price Category 2	+\$44
Price Category 4	+\$68
Price Category (Geiger) 4	+\$68
Price Category (Geiger) 5	+\$98
Price Category 7 <input type="checkbox"/> A	+\$133
Price Category (Geiger) 7	+\$160
Price Category (Geiger) 8	+\$244
Price Category 9	+\$302
Price Category (Geiger) 10	+\$348
Price Category 11	+\$389
Price Category (Geiger) 11	+\$389
Price Category (Geiger) 14	+\$510
Price Category (Geiger) C	+\$50
Price Category (Geiger) D	+\$66
Price Category (Geiger) G	+\$96
Price Category (Geiger) J	+\$228

Envelope® Chair

SBEV-



Product Information

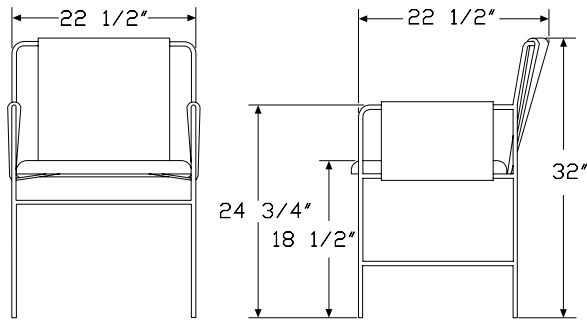
Description

This chair has a welded tubular steel frame. The seat is foam and Dacron® over plywood.

Notes

Customers Own Material (COM) requires 2½yards. Customers Own Leather (COL) requires 40 square feet. See Order Information in Appendices.

Dimensions



Specification Information

Step 1.

SBEV-1020 A \$1943

Step 2. Upholstery

Price Category 1	+\$0
Price Category (Geiger) 1	+\$121
Price Category 2	+\$146
Price Category (Geiger) 2	+\$146
Price Category 3	+\$184
Price Category (Geiger) 3	+\$184
Price Category 4	+\$223
Price Category (Geiger) 4	+\$223
Price Category 5	+\$325
Price Category (Geiger) 5	+\$325
Price Category (Geiger) 6	+\$427
Price Category (Geiger) 7	+\$529
Price Category (Geiger) 8	+\$810
Price Category 9	+\$1006
Price Category (Geiger) 9	+\$1006
Price Category (Geiger) 10	+\$1157
Price Category (Geiger) 11	+\$1296
Price Category (Geiger) A	+\$154
Price Category (Geiger) C	+\$181
Price Category D	+\$210
Price Category (Geiger) D	+\$210
Price Category E	+\$236
Price Category (Geiger) E	+\$236
Price Category F	+\$265
Price Category (Geiger) F	+\$265
Price Category G	+\$283
Price Category (Geiger) G	+\$293
Price Category (Geiger) H	+\$320
Price Category (Geiger) I	+\$647
Price Category (Geiger) J	+\$362
Price Category (Geiger) K	+\$403
Price Category (Geiger) L	+\$445
Price Category (Geiger) M	+\$502
Price Category (Geiger) N	+\$557
Price Category (Geiger) O	+\$1314
Price Category (Geiger) P	+\$612
Price Category (Geiger) Q	+\$1236
Price Category (Geiger) R	+\$2287
Price Category (Geiger) S	+\$2458
Price Category (Geiger) T	+\$2627
Price Category (Geiger) U	+\$2797
Price Category (Geiger) V	+\$2966

HermanMiller Ancillary-Side & Stacking Chairs

Envelope® Chair *continued*

HermanMiller Ancillary-Side & Stacking Chairs

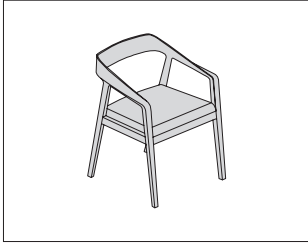
Price Category (Geiger) Z	+\$2554
Price Category (Geiger) COL <input type="checkbox"/>	+\$216
Price Category (Geiger) COM <input type="checkbox"/>	+\$0

Step 3. Base Finish	
CHR chrome <input type="checkbox"/>	+\$0
SAC satin chrome <input type="checkbox"/>	+\$0

Step 4. Fire Retardancy	
NOCAL not fire retardant <input type="checkbox"/>	+\$0
133 fire retardant <input type="checkbox"/>	+\$163

Full Twist™ Guest Chair

SFT1A
SFT1M
SFT1N
SFT1W



Product Information

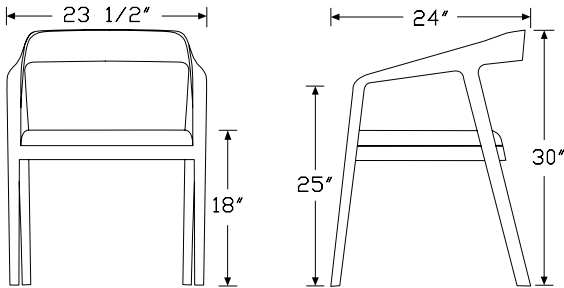
Description

This chair has an upholstered seat and a walnut or maple frame.

Notes

COM/COL requires 3/4 yard/13 1/2 square feet.

Dimensions



Specification Information

Step 1.

SFT1 A

Step 2. Frame Finish

M maple A

W walnut A

N sundance walnut with clear finish A

A ash A

Prices for Steps 1-2.

SFT1M	\$2900
SFT1W	\$2900
SFT1N	\$3164
SFT1A	\$2900

Step 3. Upholstery

Price Category 1	+\$0
Price Category (Geiger) 1	+\$36
Price Category 2	+\$44
Price Category (Geiger) 2	+\$44
Price Category 3	+\$55
Price Category (Geiger) 3	+\$55
Price Category 4	+\$67
Price Category (Geiger) 4	+\$67
Price Category 5	+\$98
Price Category (Geiger) 5	+\$98
Price Category (Geiger) 6	+\$130
Price Category (Geiger) 7	+\$158
Price Category (Geiger) 8	+\$244
Price Category 9	+\$302
Price Category (Geiger) 9	+\$302
Price Category (Geiger) 10	+\$348
Price Category (Geiger) 11	+\$389
Price Category (Geiger) 14	+\$510
Price Category (Geiger) A	+\$52
Price Category (Geiger) C	+\$61
Price Category D	+\$70
Price Category (Geiger) D	+\$70
Price Category E	+\$79
Price Category (Geiger) E	+\$79
Price Category F	+\$89
Price Category (Geiger) F	+\$89
Price Category G	+\$98
Price Category (Geiger) G	+\$98
Price Category (Geiger) H	+\$107
Price Category (Geiger) I	+\$194

Price Category (Geiger) J	+\$121
Price Category (Geiger) K	+\$136
Price Category (Geiger) L	+\$149
Price Category (Geiger) M	+\$168
Price Category (Geiger) N	+\$186
Price Category (Geiger) O	+\$395
Price Category (Geiger) P	+\$204
Price Category (Geiger) Q	+\$557
Price Category (Geiger) R	+\$686
Price Category (Geiger) S	+\$737
Price Category (Geiger) T	+\$790
Price Category (Geiger) U	+\$840
Price Category (Geiger) V	+\$890
Price Category (Geiger) X	+\$994
Price Category (Geiger) Y	+\$1044
Price Category (Geiger) Z	+\$557
Price Category COL (Geiger) A	+\$65
Price Category COM (Geiger) A	+\$0

Step 4. Wood Finish

For maple (M)

967 smoked paldao, low sheen A	+\$0
969 warm paldao, low sheen A	+\$0

For maple (M)

911 champagne maple (natural) A	+\$0
G2U light brown walnut, low sheen A	+\$0
G40 dark brown walnut, low sheen A	+\$0
940 sundance cherry on maple A	+\$0
943 caramel cherry A	+\$0
946 cocoa cherry A	+\$0
956 cocoa sapele A	+\$0
962 toasted walnut, low sheen A	+\$0
963 charred walnut, low sheen A	+\$0
964 bronzed walnut, low sheen A	+\$0
965 smoked walnut, low sheen A	+\$0
966 coffee walnut, low sheen A	+\$0
98R recograin rosewood A	+\$0
99R recograin rosewood A	+\$0
99T recograin teak A	+\$0
9A1 white ash, quarter cut, low sheen A	+\$0
9K1 rift oak, rift cut, low sheen A	+\$0
9K6 burnt oak, rift cut, low sheen A	+\$0

For maple (M)

662 toasted walnut, matte sheen A	+\$0
663 charred walnut, matte sheen A	+\$0
664 bronzed walnut, matte sheen A	+\$0
665 smoked walnut, matte sheen A	+\$0
666 coffee walnut, matte sheen A	+\$0
667 smoked paldao, quarter cut, matte sheen A	+\$0
669 warm paldao, quarter cut, matte sheen A	+\$0
68R recograin rosewood A	+\$0
69R recograin rosewood A	+\$0
69T recograin teak A	+\$0
6A1 white ash A	+\$0
6K1 rift oak A	+\$0
6K6 burnt oak A	+\$0
ET clear on ash A	+\$0
EU oak on ash A	+\$0
EV walnut on ash A	+\$0
GOU natural walnut, flat cut, matte sheen A	+\$0

For ash (A)

967 smoked paldao, low sheen A	+\$0
969 warm paldao, low sheen A	+\$0

For ash (A)

940 sundance cherry on maple A	+\$0
943 caramel cherry A	+\$0
946 cocoa cherry A	+\$0
956 cocoa sapele A	+\$0
962 toasted walnut, low sheen A	+\$0
963 charred walnut, low sheen A	+\$0
964 bronzed walnut, low sheen A	+\$0
965 smoked walnut, low sheen A	+\$0
966 coffee walnut, low sheen A	+\$0
977 chocolate ash, low sheen A	+\$0
98R recograin rosewood A	+\$0
991 champagne ash A	+\$0
998 ebony ash A	+\$0
99A recograin frosty ash A	+\$0
99R recograin rosewood A	+\$0
99T recograin teak A	+\$0
9A1 white ash, quarter cut, low sheen A	+\$0
9K1 rift oak, rift cut, low sheen A	+\$0
9K6 burnt oak, rift cut, low sheen A	+\$0
G2U light brown walnut, low sheen A	+\$0
G40 dark brown walnut, low sheen A	+\$0

<i>For ash (A)</i>		
662	toasted walnut, matte sheen <input type="checkbox"/>	+\$0
663	charred walnut, matte sheen <input type="checkbox"/>	+\$0
664	bronzed walnut, matte sheen <input type="checkbox"/>	+\$0
665	smoked walnut, matte sheen <input type="checkbox"/>	+\$0
666	coffee walnut, matte sheen <input type="checkbox"/>	+\$0
667	smoked paldao, quarter cut, matte sheen <input type="checkbox"/>	+\$0
669	warm paldao, quarter cut, matte sheen <input type="checkbox"/>	+\$0
66A	recograin frosty ash <input type="checkbox"/>	+\$0
677	chocolate ash, matte sheen <input type="checkbox"/>	+\$0
68R	recograin rosewood <input type="checkbox"/>	+\$0
69A	recograin frosty ash <input type="checkbox"/>	+\$0
69R	recograin rosewood <input type="checkbox"/>	+\$0
69T	recograin teak <input type="checkbox"/>	+\$0
6A1	white ash <input type="checkbox"/>	+\$0
6K1	rift oak <input type="checkbox"/>	+\$0
6K6	burnt oak <input type="checkbox"/>	+\$0
ET	clear on ash <input type="checkbox"/>	+\$0
EU	oak on ash <input type="checkbox"/>	+\$0
EV	walnut on ash <input type="checkbox"/>	+\$0
GOU	natural walnut, flat cut, matte sheen <input type="checkbox"/>	+\$0

<i>For ash (A)</i>		
68W	recograin walnut, flat cut, matte sheen <input type="checkbox"/>	+\$0
69W	recograin walnut, quarter cut, matte sheen <input type="checkbox"/>	+\$0

<i>For ash (A)</i>		
98W	recograin walnut, flat cut, low sheen <input type="checkbox"/>	+\$0
99W	recograin walnut, quarter cut, low sheen <input type="checkbox"/>	+\$0

<i>For walnut (W)</i>		
967	smoked paldao, low sheen <input type="checkbox"/>	+\$0
969	warm paldao, low sheen <input type="checkbox"/>	+\$0

<i>For walnut (W)</i>		
962	toasted walnut, low sheen <input type="checkbox"/>	+\$0
963	charred walnut, low sheen <input type="checkbox"/>	+\$0
964	bronzed walnut, low sheen <input type="checkbox"/>	+\$0
965	smoked walnut, low sheen <input type="checkbox"/>	+\$0
966	coffee walnut, low sheen <input type="checkbox"/>	+\$0
98R	recograin rosewood <input type="checkbox"/>	+\$0
99R	recograin rosewood <input type="checkbox"/>	+\$0
G2U	light brown walnut, low sheen <input type="checkbox"/>	+\$0
G40	dark brown walnut, low sheen <input type="checkbox"/>	+\$0

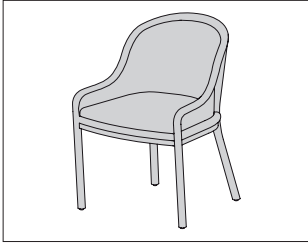
<i>For walnut (W)</i>		
662	toasted walnut, matte sheen <input type="checkbox"/>	+\$0
663	charred walnut, matte sheen <input type="checkbox"/>	+\$0
664	bronzed walnut, matte sheen <input type="checkbox"/>	+\$0
665	smoked walnut, matte sheen <input type="checkbox"/>	+\$0
666	coffee walnut, matte sheen <input type="checkbox"/>	+\$0
667	smoked paldao, quarter cut, matte sheen <input type="checkbox"/>	+\$0
669	warm paldao, quarter cut, matte sheen <input type="checkbox"/>	+\$0
68R	recograin rosewood <input type="checkbox"/>	+\$0
69R	recograin rosewood <input type="checkbox"/>	+\$0
GOU	natural walnut, flat cut, matte sheen <input type="checkbox"/>	+\$0

<i>For sundance walnut with clear finish (N)</i>		
972	sundance walnut <input type="checkbox"/>	+\$0

Step 5. Fire Retardancy		
NOCAL	not fire retardant <input type="checkbox"/>	+\$0
133	fire retardant <input type="checkbox"/>	+\$49

Landmark Low Arm Chair

SBLAC
SBLAF



HermanMiller Ancillary-Side & Stacking Chairs

Product Information

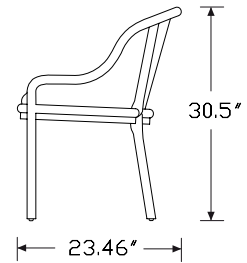
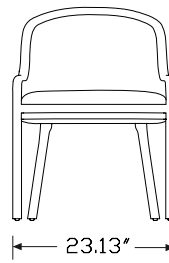
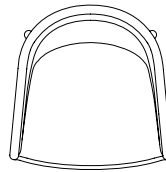
Description

This low arm chair has a wood frame carved from solid hardwood. It has a French upholstered seat and back, or a cane seat and back with cushion.

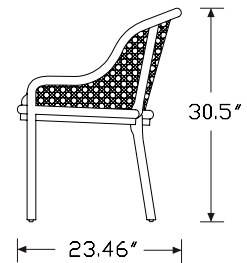
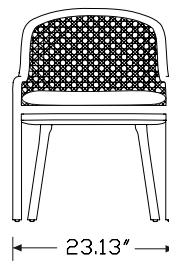
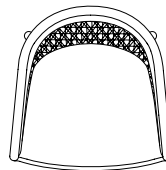
Notes

Customers Own Material (COM) requires 2½ yards for the French upholstered seat and back, closed arm (F) and 1 yard for the cane seat and back with cushion (C). Customers Own Leather (COL) requires 45 square feet for the French upholstered seat and back (F) and 20 square feet for the cane seat and back with cushion (C). See Order Information in Appendices.

Dimensions



French upholstered



Cane seat and back

Specification Information	
Step 1.	
SBLA	A
Step 2. Seat, Back and Arms	
C	cane seat and back with cushion A
F	french upholstered seat and back, closed arm A
Prices for Steps 1-2.	
SBLAC	\$3700
SBLAF	\$3700
Step 3. Wood Finish	
Premium Veneer - Low Sheen	
932	sundance anigre A +\$0
933	caramel anigre A +\$0
934	henna anigre A +\$0
940	sundance cherry on maple A +\$0
943	caramel cherry A +\$0
946	cocoa cherry A +\$0
956	cocoa sapele A +\$0
962	toasted walnut, low sheen A +\$0
963	charred walnut, low sheen A +\$0
964	bronzed walnut, low sheen A +\$0
965	smoked walnut, low sheen A +\$0
966	coffee walnut, low sheen A +\$0
967	smoked paldao, low sheen A +\$0
969	warm paldao, low sheen A +\$0
977	chocolate ash, low sheen A +\$0
98R	recograin rosewood A +\$0
991	champagne ash A +\$0
998	ebony ash A +\$0
99A	recograin frosty ash A +\$0
99R	recograin rosewood A +\$0
99T	recograin teak A +\$0
9A1	white ash, quarter cut, low sheen A +\$0
9K1	rift oak, rift cut, low sheen A +\$0
9K6	burnt oak, rift cut, low sheen A +\$0
G2U	light brown walnut, low sheen A +\$0
G40	dark brown walnut, low sheen A +\$0

Premium Veneer - Matte	
662	toasted walnut, matte sheen A +\$0
663	charred walnut, matte sheen A +\$0
664	bronzed walnut, matte sheen A +\$0
665	smoked walnut, matte sheen A +\$0
666	coffee walnut, matte sheen A +\$0
667	smoked paldao, quarter cut, matte sheen A +\$0
669	warm paldao, quarter cut, matte sheen A +\$0
66A	recograin frosty ash A +\$0
677	chocolate ash, matte sheen A +\$0
68R	recograin rosewood A +\$0
69A	recograin frosty ash A +\$0
69R	recograin rosewood A +\$0
69T	recograin teak A +\$0
6A1	white ash A +\$0
6K1	rift oak A +\$0
6K6	burnt oak A +\$0
ET	clear on ash A +\$0
EU	oak on ash A +\$0
EV	walnut on ash A +\$0
GOU	natural walnut, flat cut, matte sheen A +\$0

RecoGrain Veneer	
68W	recograin walnut, flat cut, matte sheen A +\$0
69W	recograin walnut, quarter cut, matte sheen A +\$0

Recon Veneer -	
98W	recograin walnut, flat cut, low sheen A +\$0
99W	recograin walnut, quarter cut, low sheen A +\$0

Step 4. Upholstery	
<i>For cane seat and back with cushion (C)</i>	
Price Category 1	+\$0
Price Category (Geiger) 1	+\$0
Price Category 2	+\$59
Price Category (Geiger) 2	+\$59
Price Category 3	+\$73
Price Category (Geiger) 3	+\$73
Price Category 4	+\$90
Price Category (Geiger) 4	+\$90
Price Category 5	+\$131
Price Category (Geiger) 5	+\$131
Price Category (Geiger) 6	+\$172
Price Category (Geiger) 7	+\$212
Price Category (Geiger) 8	+\$324
Price Category 9	+\$402

Landmark Low Arm Chair *continued*

HermanMiller Ancillary-Side & Stacking Chairs

Price Category (Geiger) 9	+\$402
Price Category (Geiger) 10	+\$463
Price Category (Geiger) 11	+\$518
Price Category (Geiger) 14	+\$679
Price Category (Geiger) C	+\$66
Price Category D	+\$88
Price Category (Geiger) D	+\$88
Price Category E	+\$106
Price Category (Geiger) E	+\$106
Price Category F	+\$127
Price Category (Geiger) F	+\$127
Price Category G	+\$173
Price Category (Geiger) G	+\$173
Price Category (Geiger) H	+\$215
Price Category (Geiger) I	+\$259
Price Category (Geiger) J	+\$304
Price Category (Geiger) K	+\$348
Price Category (Geiger) L	+\$392
Price Category (Geiger) M	+\$437
Price Category (Geiger) N	+\$481
Price Category (Geiger) O	+\$526
Price Category (Geiger) P	+\$569
Price Category (Geiger) Q	+\$656
Price Category (Geiger) R	+\$916
Price Category (Geiger) S	+\$983
Price Category (Geiger) T	+\$1051
Price Category (Geiger) U	+\$1120
Price Category (Geiger) V	+\$1187
Price Category (Geiger) X	+\$1324
Price Category (Geiger) Y	+\$1391
Price Category (Geiger) Z	+\$1459
Price Category (Geiger) COL A	+\$90
Price Category (Geiger) COM A	+\$0

For french upholstered seat and back, closed arm (F)

Price Category 1	+\$0
Price Category (Geiger) 1	+\$0
Price Category 2	+\$146
Price Category (Geiger) 2	+\$146
Price Category 3	+\$184
Price Category (Geiger) 3	+\$184
Price Category 4	+\$223
Price Category (Geiger) 4	+\$223
Price Category 5	+\$325
Price Category (Geiger) 5	+\$325
Price Category (Geiger) 6	+\$427
Price Category (Geiger) 7	+\$529

Price Category (Geiger) 8	+\$810
Price Category 9	+\$1006
Price Category (Geiger) 9	+\$1006
Price Category (Geiger) 10	+\$1157
Price Category (Geiger) 11	+\$1296
Price Category (Geiger) 14	+\$1698
Price Category (Geiger) C	+\$164
Price Category D	+\$217
Price Category (Geiger) D	+\$217
Price Category E	+\$264
Price Category (Geiger) E	+\$264
Price Category F	+\$316
Price Category (Geiger) F	+\$316
Price Category G	+\$431
Price Category (Geiger) G	+\$431
Price Category (Geiger) H	+\$535
Price Category (Geiger) I	+\$647
Price Category (Geiger) J	+\$758
Price Category (Geiger) K	+\$870
Price Category (Geiger) L	+\$980
Price Category (Geiger) M	+\$1092
Price Category (Geiger) N	+\$1204
Price Category (Geiger) O	+\$1314
Price Category (Geiger) P	+\$1422
Price Category (Geiger) Q	+\$1642
Price Category (Geiger) R	+\$2287
Price Category (Geiger) S	+\$2458
Price Category (Geiger) T	+\$2627
Price Category (Geiger) U	+\$2797
Price Category (Geiger) V	+\$2966
Price Category (Geiger) X	+\$3307
Price Category (Geiger) Y	+\$3478
Price Category (Geiger) Z	+\$3648
Price Category (Geiger) COL A	+\$223
Price Category (Geiger) COM A	+\$0

Step 5. Fire Retardancy

For cane seat and back with cushion (C)

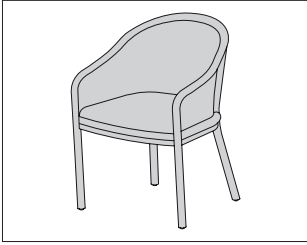
NOCAL no cal-133 required A	+\$0
--	------

For french upholstered seat and back, closed arm (F)

NOCAL no cal-133 required A	+\$0
--	------

Landmark Chair

SBLLC
SBLLF



Product Information

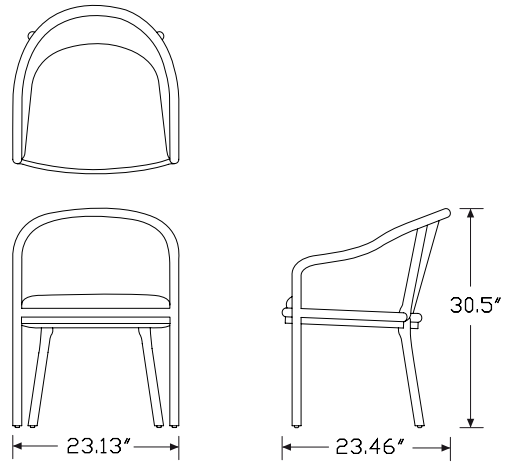
Description

This chair has a wood frame carved from solid hardwood. It has a French upholstered seat and back, or a cane seat and back with cushion.

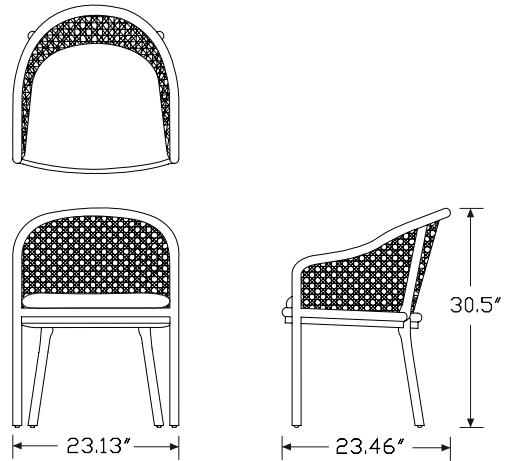
Notes

Customers Own Material (COM) requires 2½ yards for the French upholstered seat and back, closed arm (F) and 1 yard for the cane seat and back with cushion (C). Customers Own Leather (COL) requires 45 square feet for the French upholstered seat and back (F) and 20 square feet for the cane seat and back with cushion (C). See Order Information in Appendices.

Dimensions



French upholstered



Cane seat and back

Specification Information	
Step 1.	
SBLL	A
Step 2. Seat, Back and Arms	
C	cane seat and back with cushion A
F	french upholstered seat and back, closed arm A
Prices for Steps 1-2.	
SBLLC	\$3588
SBLLF	\$3588
Step 3. Wood Finish	

Premium Veneer - Low Sheen	
932	sundance anigre A +\$0
933	caramel anigre A +\$0
934	henna anigre A +\$0
940	sundance cherry on maple A +\$0
943	caramel cherry A +\$0
946	cocoa cherry A +\$0
956	cocoa sapele A +\$0
962	toasted walnut, low sheen A +\$0
963	charred walnut, low sheen A +\$0
964	bronzed walnut, low sheen A +\$0
965	smoked walnut, low sheen A +\$0
966	coffee walnut, low sheen A +\$0
967	smoked paldao, low sheen A +\$0
969	warm paldao, low sheen A +\$0
977	chocolate ash, low sheen A +\$0
98R	recograin rosewood A +\$0
991	champagne ash A +\$0
998	ebony ash A +\$0
99A	recograin frosty ash A +\$0
99R	recograin rosewood A +\$0
99T	recograin teak A +\$0
9A1	white ash, quarter cut, low sheen A +\$0
9K1	rift oak, rift cut, low sheen A +\$0
9K6	burnt oak, rift cut, low sheen A +\$0
G2U	light brown walnut, low sheen A +\$0
G40	dark brown walnut, low sheen A +\$0

Premium Veneer - Matte	
662	toasted walnut, matte sheen A +\$0
663	charred walnut, matte sheen A +\$0
664	bronzed walnut, matte sheen A +\$0
665	smoked walnut, matte sheen A +\$0
666	coffee walnut, matte sheen A +\$0
667	smoked paldao, quarter cut, matte sheen A +\$0
669	warm paldao, quarter cut, matte sheen A +\$0
66A	recograin frosty ash A +\$0
677	chocolate ash, flat cut, matte sheen A +\$0
68R	recograin rosewood A +\$0
69A	recograin frosty ash A +\$0
69R	recograin rosewood A +\$0
69T	recograin teak A +\$0
6A1	white ash A +\$0
6K1	rift oak A +\$0
6K6	burnt oak A +\$0
ET	clear on ash A +\$0
EU	oak on ash A +\$0
EV	walnut on ash A +\$0
GOU	natural walnut, flat cut, matte sheen A +\$0

RecoGrain Veneer	
68W	recograin walnut, flat cut, matte sheen A +\$0
69W	recograin walnut, quarter cut, matte sheen A +\$0

Recon Veneer -	
98W	recograin walnut, flat cut, low sheen A +\$0
99W	recograin walnut, quarter cut, low sheen A +\$0

Step 4. Upholstery	
<i>For cane seat and back with cushion (C)</i>	
Price Category 1	+\$0
Price Category (Geiger) 1	+\$0
Price Category 2	+\$59
Price Category (Geiger) 2	+\$59
Price Category 3	+\$73
Price Category (Geiger) 3	+\$73
Price Category 4	+\$90
Price Category (Geiger) 4	+\$90
Price Category 5	+\$131
Price Category (Geiger) 5	+\$131
Price Category (Geiger) 6	+\$172
Price Category (Geiger) 7	+\$212
Price Category (Geiger) 8	+\$324
Price Category 9	+\$402

Price Category (Geiger) 9	+\$402
Price Category (Geiger) 10	+\$463
Price Category (Geiger) 11	+\$518
Price Category (Geiger) 14	+\$679
Price Category (Geiger) C	+\$54
Price Category D	+\$88
Price Category (Geiger) D	+\$88
Price Category E	+\$106
Price Category (Geiger) E	+\$106
Price Category F	+\$127
Price Category (Geiger) F	+\$127
Price Category G	+\$173
Price Category (Geiger) G	+\$173
Price Category (Geiger) H	+\$215
Price Category (Geiger) I	+\$259
Price Category (Geiger) J	+\$304
Price Category (Geiger) K	+\$348
Price Category (Geiger) L	+\$392
Price Category (Geiger) M	+\$437
Price Category (Geiger) N	+\$481
Price Category (Geiger) O	+\$526
Price Category (Geiger) P	+\$569
Price Category (Geiger) Q	+\$656
Price Category (Geiger) R	+\$916
Price Category (Geiger) S	+\$983
Price Category (Geiger) T	+\$1051
Price Category (Geiger) U	+\$1120
Price Category (Geiger) V	+\$1187
Price Category (Geiger) X	+\$1324
Price Category (Geiger) Y	+\$1391
Price Category (Geiger) Z	+\$1459
Price Category (Geiger) COL A	+\$90
Price Category (Geiger) COM A	+\$0

For french upholstered seat and back, closed arm (F)

Price Category 1	+\$0
Price Category (Geiger) 1	+\$0
Price Category 2	+\$146
Price Category (Geiger) 2	+\$146
Price Category 3	+\$184
Price Category (Geiger) 3	+\$184
Price Category 4	+\$223
Price Category (Geiger) 4	+\$223
Price Category 5	+\$325
Price Category (Geiger) 5	+\$325
Price Category (Geiger) 6	+\$427
Price Category (Geiger) 7	+\$529

Price Category (Geiger) 8	+\$810
Price Category 9	+\$1006
Price Category (Geiger) 9	+\$1006
Price Category (Geiger) 10	+\$1157
Price Category (Geiger) 11	+\$1296
Price Category (Geiger) 14	+\$1698
Price Category (Geiger) C	+\$133
Price Category D	+\$217
Price Category (Geiger) D	+\$217
Price Category E	+\$264
Price Category (Geiger) E	+\$264
Price Category F	+\$316
Price Category (Geiger) F	+\$316
Price Category G	+\$431
Price Category (Geiger) G	+\$431
Price Category (Geiger) H	+\$535
Price Category (Geiger) I	+\$647
Price Category (Geiger) J	+\$758
Price Category (Geiger) K	+\$870
Price Category (Geiger) L	+\$980
Price Category (Geiger) M	+\$1092
Price Category (Geiger) N	+\$1204
Price Category (Geiger) O	+\$1314
Price Category (Geiger) P	+\$1422
Price Category (Geiger) Q	+\$1642
Price Category (Geiger) R	+\$2287
Price Category (Geiger) S	+\$2458
Price Category (Geiger) T	+\$2627
Price Category (Geiger) U	+\$2797
Price Category (Geiger) V	+\$2966
Price Category (Geiger) X	+\$3307
Price Category (Geiger) Y	+\$3478
Price Category (Geiger) Z	+\$3648
Price Category (Geiger) COL A	+\$223
Price Category (Geiger) COM A	+\$0

Step 5. Fire Retardancy

For cane seat and back with cushion (C)

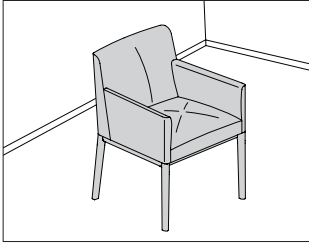
NOCAL no cal-133 required A	+\$0
--	------

For french upholstered seat and back, closed arm (F)

NOCAL no cal-133 required A	+\$0
--	------

Nessel Chair

SNS1A
 SNS1W
 SNS2A
 SNS2W



HermanMiller Ancillary-Side & Stacking Chairs

Product Information

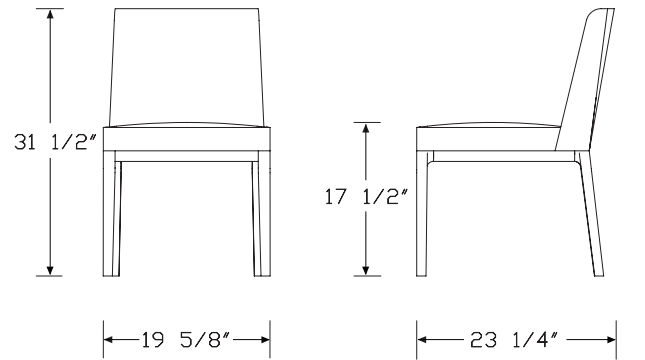
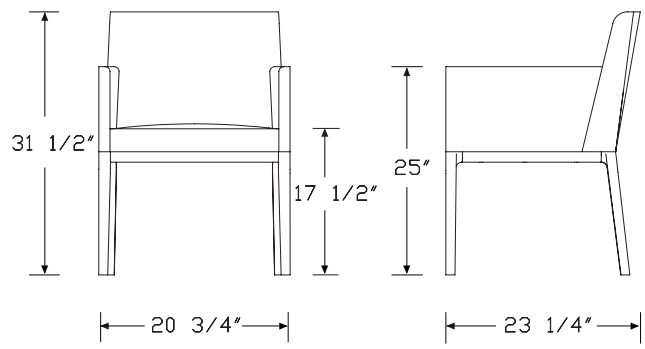
Description

This side chair has a solid wood frame with cushions made of polyfoam and DACRON®. It is available with or without arms. Fire retardant chair meets CAL 133 requirements.

Notes

Customer's Own Material (COM)/Customer's Own Leather (COL) requires the following:
 Type—COM—COL
 SNS2W (seat border and outside back)—1 yard—18 square feet
 SNS2W (seat cushion top and inside chair back)—1 yard—18 square feet
 SNS1W (seat border and outside back)—¾ yard—13½ square feet
 SNS1W (seat cushion top and inside chair back)—¾ yard—13½ square feet
 See Order Information in Appendices for more information.

Dimensions



Specification Information

Step 1.

SNS A

Step 2. Frame Finish

1A armless - ash A

1W armless - walnut A

2A arm - ash A

2W arm - walnut A

Prices for Steps 1-2.

SNS1A	\$2060
SNS1W	\$2060
SNS2A	\$2590
SNS2W	\$2590

Step 3. Wood Finish

For armless - ash (1A) or arm - ash (2A)

68W recograin walnut, flat cut, matte sheen <input type="checkbox"/> A	+\$0
69W recograin walnut, quarter cut, matte sheen <input type="checkbox"/> A	+\$0

For armless - ash (1A) or arm - ash (2A)

98W recograin walnut, flat cut, low sheen <input type="checkbox"/> A	+\$0
99W recograin walnut, quarter cut, low sheen <input type="checkbox"/> A	+\$0

Low Sheen Finishes (on Ash)

For armless - ash (1A) or arm - ash (2A)

967 smoked paldao, low sheen <input type="checkbox"/> A	+\$0
969 warm paldao, low sheen <input type="checkbox"/> A	+\$0

Low Sheen Finishes (on Ash)

For armless - ash (1A) or arm - ash (2A)

940 sundance cherry on maple <input type="checkbox"/> A	+\$0
962 toasted walnut, low sheen <input type="checkbox"/> A	+\$0
963 charred walnut, low sheen <input type="checkbox"/> A	+\$0
964 bronzed walnut, low sheen <input type="checkbox"/> A	+\$0
965 smoked walnut, low sheen <input type="checkbox"/> A	+\$0
966 coffee walnut, low sheen <input type="checkbox"/> A	+\$0
977 chocolate ash, low sheen <input type="checkbox"/> A	+\$0
98R recograin rosewood <input type="checkbox"/> A	+\$0
99A recograin frosty ash <input type="checkbox"/> A	+\$0
99R recograin rosewood <input type="checkbox"/> A	+\$0
99T recograin teak <input type="checkbox"/> A	+\$0
9A1 white ash, quarter cut, low sheen <input type="checkbox"/> A	+\$0
9K1 rift oak, rift cut, low sheen <input type="checkbox"/> A	+\$0
9K6 burnt oak, rift cut, low sheen <input type="checkbox"/> A	+\$0
G2U light brown walnut, low sheen <input type="checkbox"/> A	+\$0
G40 dark brown walnut, low sheen <input type="checkbox"/> A	+\$0
UX walnut on cherry, flat cut, low sheen <input type="checkbox"/> A	+\$0
943 caramel cherry <input type="checkbox"/> A	+\$0
946 cocoa cherry <input type="checkbox"/> A	+\$0
956 cocoa sapele <input type="checkbox"/> A	+\$0
991 champagne ash <input type="checkbox"/> A	+\$0
998 ebony ash <input type="checkbox"/> A	+\$0

Matte Sheen Finishes (on Ash)

For armless - ash (1A) or arm - ash (2A)

667 smoked paldao, quarter cut, matte sheen <input type="checkbox"/> A	+\$0
669 warm paldao, quarter cut, matte sheen <input type="checkbox"/> A	+\$0
66A frosty ash recograin, quarter cut, matte sheen <input type="checkbox"/> A	+\$0
677 chocolate ash, matte sheen <input type="checkbox"/> A	+\$0
68R recograin rosewood <input type="checkbox"/> A	+\$0
69A recograin frosty ash <input type="checkbox"/> A	+\$0
69R recograin rosewood <input type="checkbox"/> A	+\$0
69T recograin teak <input type="checkbox"/> A	+\$0
6K1 rift oak <input type="checkbox"/> A	+\$0
ET clear on ash <input type="checkbox"/> A	+\$0
EU oak on ash <input type="checkbox"/> A	+\$0
EV walnut on ash <input type="checkbox"/> A	+\$0
GOU natural walnut, flat cut, matte sheen <input type="checkbox"/> A	+\$0
6A1 white ash <input type="checkbox"/> A	+\$0
6K6 burnt oak <input type="checkbox"/> A	+\$0

For armless - walnut (1W) or arm - walnut (2W)

967 smoked paldao, low sheen <input type="checkbox"/> A	+\$0
969 warm paldao, low sheen <input type="checkbox"/> A	+\$0

Nessel Chair *continued*

HermanMiller Ancillary-Side & Stacking Chairs

<i>For armless - walnut (1W) or arm - walnut (2W)</i>		
662	toasted walnut, matte sheen <input type="checkbox"/> A	+\$0
663	charred walnut, matte sheen <input type="checkbox"/> A	+\$0
664	bronzed walnut, matte sheen <input type="checkbox"/> A	+\$0
665	smoked walnut, matte sheen <input type="checkbox"/> A	+\$0
666	coffee walnut, matte sheen <input type="checkbox"/> A	+\$0
68R	recograin rosewood <input type="checkbox"/> A	+\$0
69R	recograin rosewood <input type="checkbox"/> A	+\$0
GOU	natural walnut, flat cut, matte sheen <input type="checkbox"/> A	+\$0

Low Sheen Finishes (on Walnut)

<i>For armless - walnut (1W) or arm - walnut (2W)</i>		
962	toasted walnut, low sheen <input type="checkbox"/> A	+\$0
963	charred walnut, low sheen <input type="checkbox"/> A	+\$0
964	bronzed walnut, low sheen <input type="checkbox"/> A	+\$0
965	smoked walnut, low sheen <input type="checkbox"/> A	+\$0
966	coffee walnut, low sheen <input type="checkbox"/> A	+\$0
972	sundance walnut <input type="checkbox"/> A	+\$0
98R	recograin rosewood <input type="checkbox"/> A	+\$0
99R	recograin rosewood <input type="checkbox"/> A	+\$0
G2U	light brown walnut, low sheen <input type="checkbox"/> A	+\$0
G40	dark brown walnut, low sheen <input type="checkbox"/> A	+\$0

Step 4. Seat Border/Outside Back

<i>For armless - ash (1A) or armless - walnut (1W)</i>	
Price Category 1	+\$0
Price Category (Geiger) 2	+\$44
Price Category 2	+\$44
Price Category (Geiger) 3	+\$55
Price Category 3	+\$55
Price Category (Geiger) 4	+\$67
Price Category 4	+\$67
Price Category (Geiger) 5	+\$98
Price Category 5	+\$98
Price Category (Geiger) 6	+\$130
Price Category (Geiger) 7	+\$158
Price Category 7	+\$158
Price Category (Geiger) 8	+\$244
Price Category (Geiger) 9	+\$302
Price Category 9	+\$302
Price Category (Geiger) 10	+\$348
Price Category (Geiger) 11	+\$389
Price Category (Geiger) C	+\$50
Price Category (Geiger) D	+\$66
Price Category D	+\$66
Price Category E	+\$158
Price Category (Geiger) F	+\$96
Price Category F	+\$96
Price Category (Geiger) G	+\$130
Price Category G	+\$130
Price Category (Geiger) H	+\$161
Price Category (Geiger) I	+\$194
Price Category (Geiger) K	+\$262
Price Category (Geiger) L	+\$295
Price Category (Geiger) M	+\$328
Price Category (Geiger) COL <input type="checkbox"/> A	+\$0
Price Category (Geiger) COM <input type="checkbox"/> A	+\$0

For arm - ash (2A) or arm - walnut (2W)

Price Category (Geiger) COL <input type="checkbox"/>	+\$0
Price Category (Geiger) COM <input type="checkbox"/>	+\$0
Price Category 1	+\$0
Price Category (Geiger) 2	+\$59
Price Category 2	+\$59
Price Category (Geiger) 3	+\$73
Price Category 3	+\$73
Price Category (Geiger) 4	+\$90
Price Category 4	+\$67
Price Category (Geiger) 5	+\$131
Price Category 5	+\$131
Price Category (Geiger) 6	+\$172
Price Category (Geiger) 7	+\$212
Price Category 7	+\$158
Price Category (Geiger) 8	+\$324
Price Category (Geiger) 9	+\$402
Price Category 9	+\$402
Price Category (Geiger) 10	+\$463
Price Category (Geiger) 11	+\$518
Price Category (Geiger) C	+\$66
Price Category (Geiger) D	+\$88
Price Category D	+\$88
Price Category E	+\$211
Price Category (Geiger) F	+\$127
Price Category F	+\$127
Price Category (Geiger) G	+\$173
Price Category G	+\$173
Price Category (Geiger) H	+\$215
Price Category (Geiger) I	+\$259
Price Category (Geiger) K	+\$348
Price Category (Geiger) L	+\$392
Price Category (Geiger) M	+\$437

Step 5. Seat Cushion Top/Inside Back

For armless - ash (1A) or armless - walnut (1W)

Price Category 1	+\$0
Price Category (Geiger) 2	+\$44
Price Category 2	+\$44
Price Category (Geiger) 3	+\$55
Price Category 3	+\$55
Price Category (Geiger) 4	+\$67
Price Category 4	+\$67
Price Category (Geiger) 5	+\$98
Price Category 5	+\$98
Price Category (Geiger) 6	+\$130
Price Category (Geiger) 7	+\$158
Price Category 7	+\$158
Price Category (Geiger) 8	+\$244
Price Category (Geiger) 9	+\$302
Price Category 9	+\$302
Price Category (Geiger) 10	+\$348
Price Category (Geiger) 11	+\$389
Price Category (Geiger) C	+\$50
Price Category (Geiger) D	+\$66
Price Category D	+\$66
Price Category E	+\$158
Price Category (Geiger) F	+\$96
Price Category F	+\$96
Price Category (Geiger) G	+\$130
Price Category G	+\$130
Price Category (Geiger) H	+\$161
Price Category (Geiger) I	+\$194
Price Category (Geiger) K	+\$262
Price Category (Geiger) L	+\$295
Price Category (Geiger) M	+\$328
Price Category (Geiger) COL <input type="checkbox"/>	+\$0
Price Category (Geiger) COM <input type="checkbox"/>	+\$0

Nessel Chair *continued*

HermanMiller Ancillary-Side & Stacking Chairs

<i>For arm - ash (2A) or arm - walnut (2W)</i>	
Price Category 1	+\$0
Price Category (Geiger) 2	+\$59
Price Category 2	+\$59
Price Category (Geiger) 3	+\$73
Price Category 3	+\$73
Price Category (Geiger) 4	+\$90
Price Category 4	+\$90
Price Category (Geiger) 5	+\$131
Price Category 5	+\$131
Price Category (Geiger) 6	+\$172
Price Category (Geiger) 7	+\$212
Price Category 7	+\$212
Price Category (Geiger) 8	+\$324
Price Category (Geiger) 9	+\$402
Price Category 9	+\$402
Price Category (Geiger) 10	+\$463
Price Category (Geiger) 11	+\$518
Price Category (Geiger) C	+\$66
Price Category (Geiger) D	+\$88
Price Category D	+\$88
Price Category E	+\$211
Price Category (Geiger) F	+\$127
Price Category F	+\$127
Price Category (Geiger) G	+\$173
Price Category G	+\$173
Price Category (Geiger) H	+\$215
Price Category (Geiger) I	+\$259
Price Category (Geiger) K	+\$348
Price Category (Geiger) L	+\$392
Price Category (Geiger) M	+\$437
Price Category (Geiger) COL <input type="checkbox"/>	+\$0
Price Category (Geiger) COM <input type="checkbox"/>	+\$0

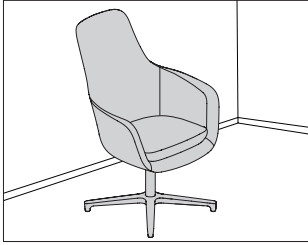
Step 6. Fire Retardancy

<i>For armless - ash (1A) or arm - ash (2A)</i>	
NOCAL no cal-133 required <input type="checkbox"/>	+\$0

<i>For armless - walnut (1W) or arm - walnut (2W)</i>	
NOCAL no cal-133 required <input type="checkbox"/>	+\$0

Saiba Conference Chair

SBN1H
SBN1M



Product Information

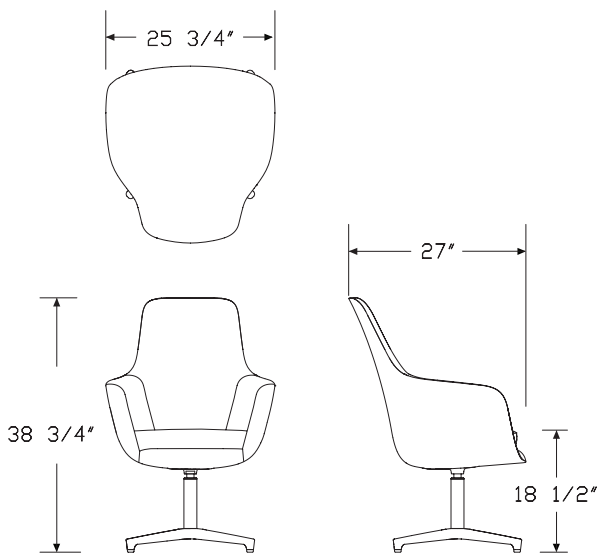
Description

This swivel chair has a high back or mid back and a 4-star self-return base with glides. Seat frame is rigid urethane with polyurethane foam.

Notes

Customer's Own Material (COM) requires 3 yards for high back (H) or 2¾ yards for mid back (M). Customer's Own Leather (COL) requires 54 square feet for high back (H) or 49½ square feet for mid back (M). See Order Information in appendices.

Dimensions



Specification Information

Step 1.

SBN1 A

Step 2. Back Height

M mid back A

H high back A

Prices for Steps 1-2.

SBN1M	\$2429
SBN1H	\$2559

Step 3. Upholstery

For mid back (M)

Price Category 1	+\$0
Price Category (Geiger) 1	+\$0
Price Category 2	+\$160
Price Category (Geiger) 2	+\$160
Price Category 3	+\$200
Price Category (Geiger) 3	+\$200
Price Category 4	+\$430
Price Category (Geiger) 4	+\$245
Price Category 5	+\$358
Price Category (Geiger) 5	+\$358
Price Category (Geiger) 6	+\$430
Price Category (Geiger) 7	+\$582
Price Category (Geiger) 8	+\$892
Price Category 9	+\$1105
Price Category (Geiger) 9	+\$1105
Price Category (Geiger) 10	+\$1272
Price Category (Geiger) 11	+\$1424
Price Category (Geiger) C	+\$182
Price Category F	+\$350
Price Category (Geiger) F	+\$350
Price Category G	+\$475
Price Category (Geiger) H	+\$589
Price Category (Geiger) R	+\$2519
Price Category (Geiger) COL <input type="checkbox"/> A	+\$0
Price Category (Geiger) COM <input type="checkbox"/> A	+\$0

Saiba Conference Chair *continued*

HermanMiller Ancillary-Side & Stacking Chairs

For high back (H)

Price Category 1	+\$0
Price Category (Geiger) 1	+\$0
Price Category 2	+\$220
Price Category (Geiger) 2	+\$220
Price Category 3	+\$220
Price Category (Geiger) 3	+\$220
Price Category 4	+\$515
Price Category (Geiger) 4	+\$268
Price Category 5	+\$390
Price Category (Geiger) 5	+\$390
Price Category (Geiger) 6	+\$515
Price Category (Geiger) 7	+\$635
Price Category (Geiger) 8	+\$972
Price Category 9	+\$1206
Price Category (Geiger) 9	+\$1206
Price Category (Geiger) 10	+\$1387
Price Category (Geiger) 11	+\$1554
Price Category (Geiger) C	+\$198
Price Category F	+\$382
Price Category (Geiger) F	+\$382
Price Category G	+\$518
Price Category (Geiger) H	+\$642
Price Category (Geiger) R	+\$2747
Price Category (Geiger) COL <input type="checkbox"/> A	+\$0
Price Category (Geiger) COM <input type="checkbox"/> A	+\$0

Step 4. Base Finish

BK black <input type="checkbox"/> A	+\$0
CD polished aluminum <input type="checkbox"/> A	+\$0

Step 5. Fire Retardancy

For mid back (M)

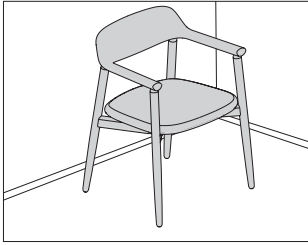
NOCAL no cal-133 required <input type="checkbox"/> A	+\$0
---	------

For high back (H)

NOCAL no cal-133 required <input type="checkbox"/> A	+\$0
---	------

Crosshatch Side Chair

SES2A
SES2W



Product Information

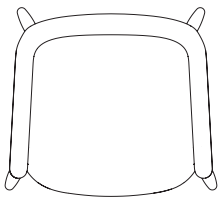
Description

This side chair has a solid wood frame with an upholstered seat. Frame comes in ash or walnut.

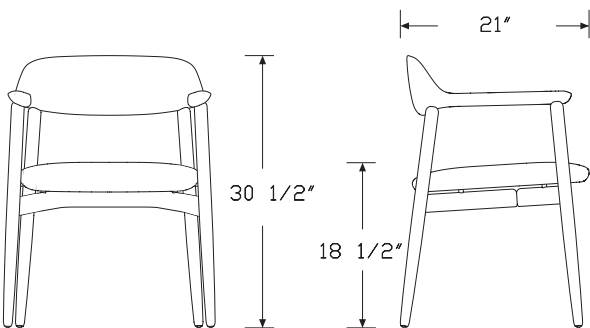
Notes

Fire retardant chair meets CAL 133 requirements.
Customer's Own Material (COM) requires 3/4 yards. Customer's Own Leather (COL) requires 13 1/2 square feet. See Order Information in appendices.

Dimensions



← 23 3/4" →



Specification Information

Step 1.

SES2 A

Step 2. Frame Finish

A ash A

W walnut A

Prices for Steps 1-2.

SES2A \$2763

SES2W \$2763

Step 3. Wood Finish

Low Sheen Finishes (on Ash)

For ash (A)

967 smoked paldao, low sheen A +\$0

969 warm paldao, low sheen A +\$0

Low Sheen Finishes (on Ash)

For ash (A)

940 sundance cherry on maple A +\$0

962 toasted walnut, low sheen A +\$0

963 charred walnut, low sheen A +\$0

964 bronzed walnut, low sheen A +\$0

965 smoked walnut, low sheen A +\$0

966 coffee walnut, low sheen A +\$0

977 chocolate ash, low sheen A +\$0

98R recograin rosewood A +\$0

99A recograin frosty ash A +\$0

99R recograin rosewood A +\$0

99T recograin teak A +\$0

9A1 white ash, quarter cut, low sheen A +\$0

9K1 rift oak, rift cut, low sheen A +\$0

9K6 burnt oak, rift cut, low sheen A +\$0

G2U light brown walnut, low sheen A +\$0

G40 dark brown walnut, low sheen A +\$0

943 caramel cherry A +\$0

946 cocoa cherry A +\$0

956 cocoa sapele A +\$0

991 champagne ash A +\$0

998 ebony ash A +\$0

Crosshatch Side Chair *continued*

HermanMiller Ancillary-Side & Stacking Chairs

Matte Sheen Finishes (on Ash)

For ash (A)

66A	recograin frosty ash <input type="checkbox"/>	+\$0
677	chocolate ash, matte sheen <input type="checkbox"/>	+\$0
68R	recograin rosewood <input type="checkbox"/>	+\$0
69A	recograin frosty ash <input type="checkbox"/>	+\$0
69R	recograin rosewood <input type="checkbox"/>	+\$0
69T	recograin teak <input type="checkbox"/>	+\$0
6K1	rift oak <input type="checkbox"/>	+\$0
ET	clear on ash <input type="checkbox"/>	+\$0
EU	oak on ash <input type="checkbox"/>	+\$0
EV	walnut on ash <input type="checkbox"/>	+\$0
GOU	natural walnut, flat cut, matte sheen <input type="checkbox"/>	+\$0
6A1	white ash <input type="checkbox"/>	+\$0
6K6	burnt oak <input type="checkbox"/>	+\$0

Anigre Veneer - Low Sheen

For walnut (W)

967	smoked paldao, low sheen <input type="checkbox"/>	+\$0
969	warm paldao, low sheen <input type="checkbox"/>	+\$0

Premium Veneer - Matte

For walnut (W)

662	toasted walnut, matte sheen <input type="checkbox"/>	+\$0
663	charred walnut, matte sheen <input type="checkbox"/>	+\$0
664	bronzed walnut, matte sheen <input type="checkbox"/>	+\$0
665	smoked walnut, matte sheen <input type="checkbox"/>	+\$0
666	coffee walnut, matte sheen <input type="checkbox"/>	+\$0
667	smoked paldao, quarter cut, matte sheen <input type="checkbox"/>	+\$0
669	warm paldao, quarter cut, matte sheen <input type="checkbox"/>	+\$0
68R	recograin rosewood <input type="checkbox"/>	+\$0
69R	recograin rosewood <input type="checkbox"/>	+\$0
GOU	natural walnut, flat cut, matte sheen <input type="checkbox"/>	+\$0

Low Sheen Finishes (on Walnut)

For walnut (W)

962	toasted walnut, low sheen <input type="checkbox"/>	+\$0
963	charred walnut, low sheen <input type="checkbox"/>	+\$0
964	bronzed walnut, low sheen <input type="checkbox"/>	+\$0
965	smoked walnut, low sheen <input type="checkbox"/>	+\$0
966	coffee walnut, low sheen <input type="checkbox"/>	+\$0
972	sundance walnut <input type="checkbox"/>	+\$0
98R	recograin rosewood <input type="checkbox"/>	+\$0
99R	recograin rosewood <input type="checkbox"/>	+\$0
G2U	light brown walnut, low sheen <input type="checkbox"/>	+\$0
G40	dark brown walnut, low sheen <input type="checkbox"/>	+\$0

Step 4. Fabric

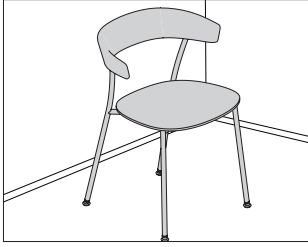
Price Category 1	+\$0
Price Category (Geiger) 1	+\$0
Price Category 2	+\$44
Price Category (Geiger) 2	+\$44
Price Category 3	+\$55
Price Category (Geiger) 3	+\$55
Price Category 4	+\$67
Price Category (Geiger) 4	+\$67
Price Category 5	+\$98
Price Category (Geiger) 5	+\$98
Price Category (Geiger) 6	+\$130
Price Category (Geiger) 7	+\$158
Price Category (Geiger) 8	+\$244
Price Category 9	+\$302
Price Category (Geiger) 9	+\$302
Price Category (Geiger) 10	+\$348
Price Category (Geiger) 11	+\$389
Price Category (Geiger) 14	+\$510
Price Category (Geiger) C	+\$50
Price Category D	+\$65
Price Category E	+\$79
Price Category (Geiger) E	+\$79
Price Category F	+\$96
Price Category G	+\$130
Price Category (Geiger) G	+\$130
Price Category (Geiger) I	+\$194
Price Category (Geiger) J	+\$228
Price Category (Geiger) L	+\$571
Price Category (Geiger) M	+\$636
Price Category (Geiger) R	+\$688
Price Category (Geiger) COL <input type="checkbox"/>	+\$65
Price Category (Geiger) COM <input type="checkbox"/>	+\$0

Step 5. Fire Retardancy

NOCAL no cal-133 required <input type="checkbox"/>	+\$0
---	------

Leeway™ Metal Frame Side Chair

- SVMP
- SVMUA
- SVMUW
- SVMWA
- SVMWW



Product Information

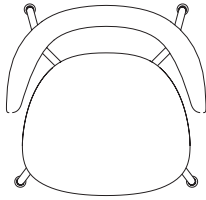
Description

This side chair has a solid wood seat and back with a metal frame or a polyurethane seat and back with a metal frame. All options available with or without an upholstered seat.

Notes

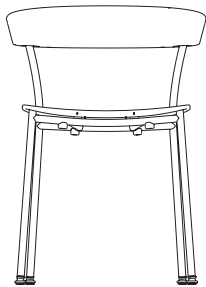
Customer's Own Material (COM) requires 1/2 yard. Customer's Own Leather (COL) requires 9 square feet. See Order Information in appendices.

Dimensions



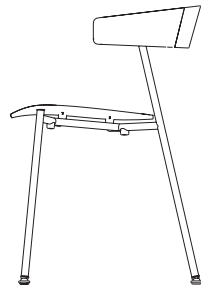
21 1/8"

20 1/8"



29 1/2"

19"



19 1/2"

Specification Information

Step 1.

SVM

Step 2. Seat/Back

U upholstered seat, wood back

W wood seat and back

P polyurethane seat and back

Step 3. Wood Species

For upholstered seat, wood back (U) or wood seat and back (W)

A ash

W walnut

Prices for Steps 1-3.

SVMUA	\$1710
SVMUW	\$1710
SVMWA	\$1578
SVMWW	\$1578
SVMP	\$779

Step 4. Frame Finish

BK black <input type="checkbox"/>	+\$0
SAC satin chrome <input type="checkbox"/>	+\$84

Leeway™ Metal Frame Side Chair

continued

HermanMiller Ancillary-Side & Stacking Chairs

Step 5. Seat/Back Finish

For upholstered seat, wood back (U) or wood seat and back (W) with ash (A)

940	sundance cherry on maple, low sheen A	+\$0
943	caramel cherry, low sheen A	+\$0
946	cocoa cherry, low sheen A	+\$0
956	cocoa sapele, low sheen A	+\$0
962	toasted walnut, low sheen A	+\$0
963	charred walnut, low sheen A	+\$0
964	bronzed walnut, low sheen A	+\$0
965	smoked walnut, low sheen A	+\$0
966	coffee walnut, low sheen A	+\$0
967	smoked paldao, low sheen A	+\$0
969	warm paldao, low sheen A	+\$0
96A	recograin frosty ash, low sheen A	+\$0
96W	recograin walnut, low sheen A	+\$0
977	chocolate ash, low sheen A	+\$0
98R	recograin rosewood, low sheen A	+\$0
98W	recograin walnut, low sheen A	+\$0
991	champagne ash, low sheen A	+\$0
998	ebony ash, low sheen A	+\$0
99R	recograin rosewood, low sheen A	+\$0
99T	recograin teak, low sheen A	+\$0
99W	recograin walnut, low sheen A	+\$0
9A1	white ash, low sheen A	+\$0
9K1	rift oak, low sheen A	+\$0
9K6	burnt oak, low sheen A	+\$0
ED	aged cherry, low sheen A	+\$0
EK	medium red walnut, low sheen A	+\$0
G2U	light brown walnut, low sheen A	+\$0
G40	dark brown walnut, low sheen A	+\$0
UX	walnut on cherry, low sheen A	+\$0

For upholstered seat, wood back (U) or wood seat and back (W) with ash (A)

662	toasted walnut, matte sheen A	+\$0
663	charred walnut, matte sheen A	+\$0
664	bronzed walnut, matte sheen A	+\$0
665	smoked walnut, matte sheen A	+\$0
666	coffee walnut, matte sheen A	+\$0
667	smoked paldao, matte sheen A	+\$0
669	warm paldao, matte sheen A	+\$0
66A	recograin frosty ash, matte sheen A	+\$0
66W	recograin walnut, matte sheen A	+\$0
677	chocolate ash, matte sheen A	+\$0
68R	recograin rosewood, matte sheen A	+\$0
68W	recograin walnut, matte sheen A	+\$0
69A	recograin frosty ash, matte sheen A	+\$0
69R	recograin rosewood, matte sheen A	+\$0
69T	recograin teak, matte sheen A	+\$0
69W	recograin walnut, matte sheen A	+\$0
6A1	white ash, matte sheen A	+\$0
6ET	clear on ash, matte sheen A	+\$0
6EU	clear on oak, matte sheen A	+\$0
6EV	walnut on ash, matte sheen A	+\$0
6K1	rift oak, matte sheen A	+\$0
6K6	burnt oak, matte sheen A	+\$0
ET	clear on ash, matte sheen A	+\$0
EU	oak on ash, matte sheen A	+\$0
EV	walnut on ash, matte sheen A	+\$0
GOU	walnut, matte sheen A	+\$0

For upholstered seat, wood back (U) or wood seat and back (W) with walnut (W)

962	toasted walnut, low sheen A	+\$0
963	charred walnut, low sheen A	+\$0
964	bronzed walnut, low sheen A	+\$0
965	smoked walnut, low sheen A	+\$0
966	coffee walnut, low sheen A	+\$0
967	smoked paldao, low sheen A	+\$0
969	warm paldao, low sheen A	+\$0
972	sundance walnut, low sheen A	+\$0
98R	recograin rosewood, low sheen A	+\$0
99R	recograin rosewood, low sheen A	+\$0
EK	medium red walnut, low sheen A	+\$0
G2U	light brown walnut, low sheen A	+\$0
G40	dark brown walnut, low sheen A	+\$0

Leeway™ Metal Frame Side Chair

continued

For upholstered seat, wood back (U) or wood seat and back (W) with walnut (W)

662	toasted walnut, matte sheen <input type="checkbox"/>	+\$0
663	charred walnut, matte sheen <input type="checkbox"/>	+\$0
664	bronzed walnut, matte sheen <input type="checkbox"/>	+\$0
665	smoked walnut, matte sheen <input type="checkbox"/>	+\$0
666	coffee walnut, matte sheen <input type="checkbox"/>	+\$0
667	smoked paldao, matte sheen <input type="checkbox"/>	+\$0
669	warm paldao, matte sheen <input type="checkbox"/>	+\$0
68R	recograin rosewood, matte sheen <input type="checkbox"/>	+\$0
69R	recograin rosewood, matte sheen <input type="checkbox"/>	+\$0
6EV	walnut on ash, matte sheen <input type="checkbox"/>	+\$0
EV	walnut on ash, matte sheen <input type="checkbox"/>	+\$0
GOU	walnut, matte sheen <input type="checkbox"/>	+\$0

For polyurethane seat and back (P)

BK	black <input type="checkbox"/>	+\$0
-----------	--------------------------------	------

Step 6. Fabric

For upholstered seat, wood back (U)

Price Category 8	+\$232
Price Category 1	+\$0
Price Category (Geiger) 1	+\$0
Price Category 2	+\$30
Price Category (Geiger) 2	+\$30
Price Category (Geiger) 3	+\$37
Price Category 4	+\$46
Price Category (Geiger) 4	+\$46
Price Category 5	+\$66
Price Category (Geiger) 5	+\$66
Price Category (Geiger) 6	+\$86
Price Category (Geiger) 7	+\$107
Price Category (Geiger) 8	+\$162
Price Category 9	+\$202
Price Category (Geiger) 9	+\$202
Price Category (Geiger) 10	+\$232
Price Category (Geiger) 11	+\$260
Price Category (Geiger) 14	+\$341
Price Category (Geiger) C	+\$34
Price Category D	+\$44
Price Category (Geiger) D	+\$44
Price Category E	+\$54
Price Category (Geiger) E	+\$54
Price Category F	+\$64
Price Category (Geiger) F	+\$64
Price Category G	+\$88
Price Category (Geiger) G	+\$88

Price Category (Geiger) H	+\$108
Price Category (Geiger) J	+\$152
Price Category (Geiger) L	+\$197
Price Category (Geiger) M	+\$220
Price Category (Geiger) R	+\$458
Price Category (Geiger) COL <input type="checkbox"/>	+\$43
Price Category (Geiger) COM <input type="checkbox"/>	+\$0

Step 7. Fire Retardancy

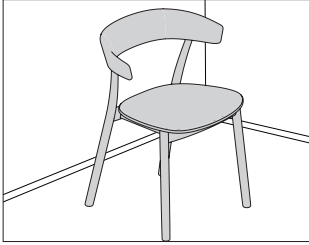
For upholstered seat, wood back (U)

NOCAL not fire retardant <input type="checkbox"/>	+\$0
--	------

HermanMiller Ancillary—Side & Stacking Chairs

Leeway™ Wood Side Chair

SVWUA
 SVWUW
 SVWWA
 SVWWW



Product Information

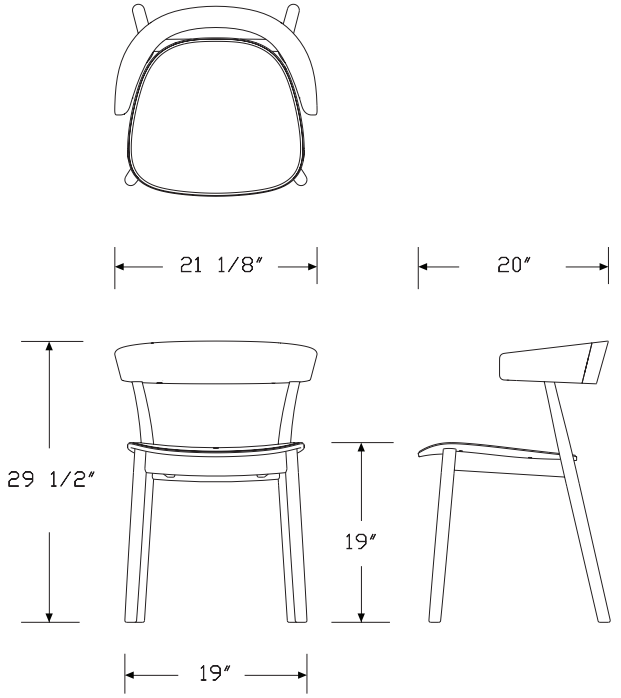
Description

This side chair has a solid wood frame available with or without an upholstered seat.

Notes

Customer's Own Material (COM) requires ¾ yard. Customer's Own Leather (COL) requires 13½ square feet. See Order Information in appendices.

Dimensions



Specification Information

Step 1.

SVW A

Step 2. Seat

U upholstered seat A

W wood seat A

Step 3. Wood Species

A ash A

W walnut A

Prices for Steps 1-3.

SVWUA	\$2109
SVWUW	\$2109
SVWWA	\$1977
SVWWW	\$1977

Step 4. Wood Finish

For ash (A)

940	sundance cherry on maple, low sheen <input type="checkbox"/>	+\$0
943	caramel cherry, low sheen <input type="checkbox"/>	+\$0
946	cocoa cherry, low sheen <input type="checkbox"/>	+\$0
956	cocoa sapele, low sheen <input type="checkbox"/>	+\$0
962	toasted walnut, low sheen <input type="checkbox"/>	+\$0
963	charred walnut, low sheen <input type="checkbox"/>	+\$0
964	bronzed walnut, low sheen <input type="checkbox"/>	+\$0
965	smoked walnut, low sheen <input type="checkbox"/>	+\$0
966	coffee walnut, low sheen <input type="checkbox"/>	+\$0
967	smoked paldao, low sheen <input type="checkbox"/>	+\$0
969	warm paldao, low sheen <input type="checkbox"/>	+\$0
96A	recograin frosty ash, low sheen <input type="checkbox"/>	+\$0
96W	recograin walnut, low sheen <input type="checkbox"/>	+\$0
977	chocolate ash, low sheen <input type="checkbox"/>	+\$0
98R	recograin rosewood, low sheen <input type="checkbox"/>	+\$0
98W	recograin walnut, low sheen <input type="checkbox"/>	+\$0
991	champagne ash, low sheen <input type="checkbox"/>	+\$0
998	ebony ash, low sheen <input type="checkbox"/>	+\$0
99R	recograin rosewood, low sheen <input type="checkbox"/>	+\$0
99T	recograin teak, low sheen <input type="checkbox"/>	+\$0
99W	recograin walnut, low sheen <input type="checkbox"/>	+\$0
9A1	white ash, low sheen <input type="checkbox"/>	+\$0
9K1	rift oak, low sheen <input type="checkbox"/>	+\$0
9K6	burnt oak, low sheen <input type="checkbox"/>	+\$0
ED	aged cherry, low sheen <input type="checkbox"/>	+\$0
EK	medium red walnut, low sheen <input type="checkbox"/>	+\$0
G2U	light brown walnut, low sheen <input type="checkbox"/>	+\$0
G40	dark brown walnut, low sheen <input type="checkbox"/>	+\$0
UX	walnut on cherry, low sheen <input type="checkbox"/>	+\$0

For ash (A)

662	toasted walnut, matte sheen <input type="checkbox"/>	+\$0
663	charred walnut, matte sheen <input type="checkbox"/>	+\$0
664	bronzed walnut, matte sheen <input type="checkbox"/>	+\$0
665	smoked walnut, matte sheen <input type="checkbox"/>	+\$0
666	coffee walnut, matte sheen <input type="checkbox"/>	+\$0
667	smoked paldao, matte sheen <input type="checkbox"/>	+\$0
669	warm paldao, matte sheen <input type="checkbox"/>	+\$0
66A	recograin frosty ash, matte sheen <input type="checkbox"/>	+\$0
66W	recograin walnut, matte sheen <input type="checkbox"/>	+\$0
677	chocolate ash, matte sheen <input type="checkbox"/>	+\$0
68R	recograin rosewood, matte sheen <input type="checkbox"/>	+\$0
68W	recograin walnut, matte sheen <input type="checkbox"/>	+\$0
69A	recograin frosty ash, matte sheen <input type="checkbox"/>	+\$0
69R	recograin rosewood, matte sheen <input type="checkbox"/>	+\$0
69T	recograin teak, matte sheen <input type="checkbox"/>	+\$0
69W	recograin walnut, matte sheen <input type="checkbox"/>	+\$0
6A1	white ash, matte sheen <input type="checkbox"/>	+\$0
6ET	clear on ash, ash solid, matte sheen <input type="checkbox"/>	+\$0
6EU	oak on ash, oak solid, matte sheen <input type="checkbox"/>	+\$0
6EV	walnut on ash, walnut solid, matte sheen <input type="checkbox"/>	+\$0
6K1	rift oak, matte sheen <input type="checkbox"/>	+\$0
6K6	burnt oak, matte sheen <input type="checkbox"/>	+\$0
ET	clear on ash, matte sheen <input type="checkbox"/>	+\$0
EU	oak on ash, matte sheen <input type="checkbox"/>	+\$0
EV	walnut on ash, matte sheen <input type="checkbox"/>	+\$0
GOU	walnut, matte sheen <input type="checkbox"/>	+\$0

For walnut (W)

962	toasted walnut, low sheen <input type="checkbox"/>	+\$0
963	charred walnut, low sheen <input type="checkbox"/>	+\$0
964	bronzed walnut, low sheen <input type="checkbox"/>	+\$0
965	smoked walnut, low sheen <input type="checkbox"/>	+\$0
966	coffee walnut, low sheen <input type="checkbox"/>	+\$0
967	smoked paldao, low sheen <input type="checkbox"/>	+\$0
969	warm paldao, low sheen <input type="checkbox"/>	+\$0
972	sundance walnut, low sheen <input type="checkbox"/>	+\$0
98R	recograin rosewood, low sheen <input type="checkbox"/>	+\$0
EK	medium red walnut, low sheen <input type="checkbox"/>	+\$0
G2U	light brown walnut, low sheen <input type="checkbox"/>	+\$0
G40	dark brown walnut, low sheen <input type="checkbox"/>	+\$0

Leeway™ Wood Side Chair *continued*

HermanMiller Ancillary-Side & Stacking Chairs

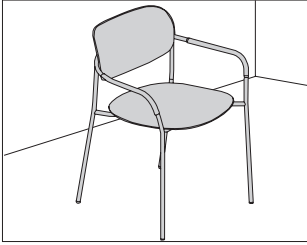
For walnut (W)		
662	toasted walnut, matte sheen <input type="checkbox"/> A	+\$0
663	charred walnut, matte sheen <input type="checkbox"/> A	+\$0
664	bronzed walnut, matte sheen <input type="checkbox"/> A	+\$0
665	smoked walnut, matte sheen <input type="checkbox"/> A	+\$0
666	coffee walnut, matte sheen <input type="checkbox"/> A	+\$0
667	smoked paldao, matte sheen <input type="checkbox"/> A	+\$0
669	warm paldao, matte sheen <input type="checkbox"/> A	+\$0
68R	recograin rosewood, matte sheen <input type="checkbox"/> A	+\$0
69R	recograin rosewood, matte sheen <input type="checkbox"/> A	+\$0
6EV	walnut on ash, walnut solid, matte sheen <input type="checkbox"/> A	+\$0
EV	walnut on ash, matte sheen <input type="checkbox"/> A	+\$0
GOU	walnut, matte sheen <input type="checkbox"/> A	+\$0

Step 5. Fabric	
For upholstered seat (U)	
Price Category 1	+\$0
Price Category (Geiger) 1	+\$0
Price Category 2	+\$44
Price Category (Geiger) 2	+\$44
Price Category (Geiger) 3	+\$55
Price Category 4	+\$67
Price Category (Geiger) 4	+\$67
Price Category 5	+\$98
Price Category (Geiger) 5	+\$98
Price Category (Geiger) 6	+\$130
Price Category (Geiger) 7	+\$158
Price Category (Geiger) 8	+\$244
Price Category 9	+\$302
Price Category (Geiger) 9	+\$302
Price Category (Geiger) 10	+\$348
Price Category (Geiger) 11	+\$389
Price Category (Geiger) 14	+\$510
Price Category (Geiger) C	+\$79
Price Category D	+\$66
Price Category (Geiger) D	+\$66
Price Category E	+\$79
Price Category (Geiger) E	+\$79
Price Category F	+\$96
Price Category (Geiger) F	+\$96
Price Category G	+\$88
Price Category (Geiger) G	+\$88
Price Category (Geiger) H	+\$161
Price Category (Geiger) J	+\$228
Price Category (Geiger) L	+\$295
Price Category (Geiger) M	+\$328
Price Category (Geiger) R	+\$688
Price Category (Geiger) COL <input type="checkbox"/> A	+\$65
Price Category (Geiger) COM <input type="checkbox"/> A	+\$0

Step 6. Fire Retardancy	
For upholstered seat (U)	
NOCAL not fire retardant <input type="checkbox"/> A	+\$0

Portrait™ Side Chair

- SH1AS
- SH1AU
- SH1AW
- SH1NS
- SH1NU
- SH1NW



Product Information

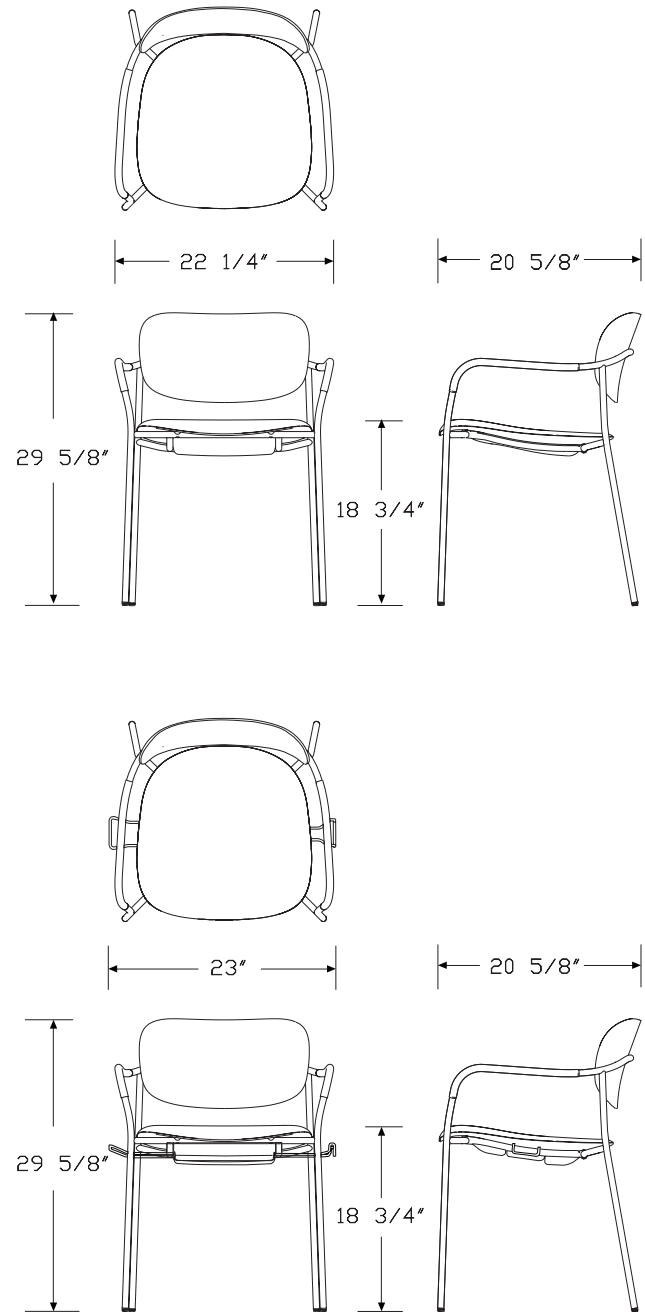
Description

This side chair has a solid wood seat and back with a metal frame. All options are available with or without an upholstered back and seat. Stacks up to 5 high.

Notes

Customer's Own Material (COM) requires 1.5 yards for upholstered seat and back (U) and 1 yard for upholstered seat, wood back (S).
 Customer's Own Leather (COL) requires 27 square feet for upholstered seat and back (U) and 18 yards for upholstered seat, wood back (S).

Dimensions



Portrait™ Side Chair *continued*

Specification Information	
Step 1.	
SH1	<input type="checkbox"/> A
Step 2. Arms	
A	arms <input type="checkbox"/> A
N	no arms <input type="checkbox"/> A
Step 3. Seat	
U	upholstered seat and back <input type="checkbox"/> A
W	wood seat and back <input type="checkbox"/> A
S	upholstered seat, wood back <input type="checkbox"/> A
Step 4. Wood Species	
<i>For wood seat and back (W) or upholstered seat, wood back (S)</i>	
A	ash <input type="checkbox"/> A
W	walnut <input type="checkbox"/> A
Prices for Steps 1-4.	
SH1AU	\$1272
SH1AW	A \$1153
	W \$1214
SH1AS	A \$1243
	W \$1301
SH1NU	\$1214
SH1NW	A \$1035
	W \$1094
SH1NS	A \$1182
	W \$1243
Step 5. Arm Wrap Option	
<i>For arms (A)</i>	
N	no wrap <input type="checkbox"/> A +\$0
W	wrap <input type="checkbox"/> A +\$225
Step 6. Frame Finish	
BK	black <input type="checkbox"/> A +\$0
SAC	satin chrome <input type="checkbox"/> A +\$84

Step 7. Ganging Option	
G	ganging <input type="checkbox"/> A +\$100
N	no ganging <input type="checkbox"/> A +\$0

Step 8. Seat/Back Finish	
<i>For wood seat and back (W) or upholstered seat, wood back (S) with ash (A)</i>	
A2	white ash <input type="checkbox"/> A +\$0
EN	ebony <input type="checkbox"/> A +\$0

<i>For wood seat and back (W) or upholstered seat, wood back (S) with walnut (W)</i>	
OU	walnut <input type="checkbox"/> A +\$0

Step 9. Fabric	
<i>For upholstered seat and back (U) or upholstered seat, wood back (S)</i>	
Price Category 8	+\$486
Price Category 1	+\$0
Price Category 2	+\$89
Price Category (Geiger) 2	+\$89
Price Category 3	+\$110
Price Category (Geiger) 3	+\$110
Price Category (Geiger) 4	+\$136
Price Category 5	+\$197
Price Category (Geiger) 5	+\$197
Price Category (Geiger) 6	+\$258
Price Category 7 <input type="checkbox"/> A	+\$319
Price Category (Geiger) 7	+\$319
Price Category (Geiger) 8	+\$486
Price Category 9	+\$604
Price Category 10	+\$695
Price Category (Geiger) 10	+\$695
Price Category 11	+\$778
Price Category (Geiger) 11	+\$778
Price Category (Geiger) 14	+\$1019
Price Category B	+\$71
Price Category (Geiger) C	+\$100
Price Category (Geiger) D	+\$132
Price Category (Geiger) G	+\$191
Price Category (Geiger) H	+\$323
Price Category (Geiger) L	+\$589
Price Category (Geiger) M	+\$655
Price Category R	+\$1374

Portrait™ Side Chair *continued*

Step 10. Arm Wrap Fabric	
<i>For wrap (W)</i>	
Price Category 8	+\$486
Price Category (Geiger) 10	+\$695
Price Category 10	+\$695
Price Category 11	+\$778
Price Category R	+\$1374

Eames® Aluminum Group Lounge Chair EA316
 Chair EA322



HermanMiller Ancillary-Lounge Seating

Product Information

Description

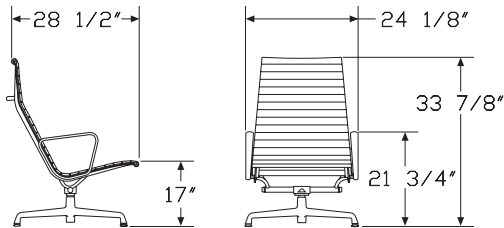
This low-back chair has a lightweight aluminum frame with suspended upholstery. It has a 4-star base with 1/2" (GD) glides for hard floors or carpet, swivel mechanism, and fixed seat height.

Notes

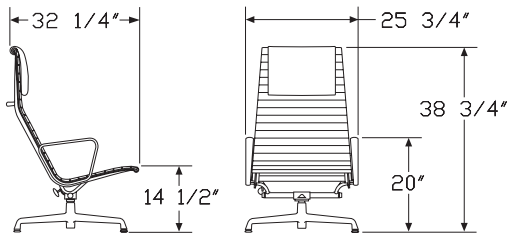
For description of glide, see Casters and Glides in Appendices.
 For chair without headrest (EA316), Customer's Own Material (COM) requires 1 3/4 yards. Customer's Own Leather (COL) requires 55 square feet. See Order Information in Appendices.
 For chair with headrest (EA322), Customer's Own Material (COM) requires 3 yards. Customer's Own Leather (COL) requires 55 square feet. See Order Information in Appendices.

Dimensions

Swivel



Tilt Swivel



Specification Information

Step 1.

EA3 A

Step 2. Tilt/Arms

16 swivel and arms A

22 tilt swivel, arms, and headrest A

Prices for Steps 1-2.

EA316	\$2831
EA322	\$3064

Step 3. Base/Frame Finish

L	polished aluminum A	+\$0
BK	black A	+\$133
91	white A	+\$133
EP	eggplant A	+\$133

Eames® Aluminum Group Lounge Chair *continued*

Step 4. Fabric

For swivel and arms (16)

Price Category 1	+\$0
Price Category 2	+\$68
Price Category 3	+\$155
Price Category 4	+\$222
Price Category (Geiger) 4	+\$222
Price Category (DWR) 4	+\$185
Price Category 5	+\$246
Price Category (Geiger) 5	+\$246
Price Category 6	+\$300
Price Category (Geiger) 6	+\$300
Price Category 7 A	+\$298
Price Category (Geiger) 7	+\$298
Price Category 8	+\$533
Price Category 9	+\$768
Price Category (Geiger) 10	+\$869
Price Category 10M	+\$1157
Price Category 11	+\$1021
Price Category B	+\$68
Price Category C	+\$96
Price Category D	+\$124
Price Category E	+\$149
Price Category F	+\$193
Price Category G	+\$251
Price Category H	+\$305
Price Category I	+\$358
Price Category J	+\$412
Price Category K	+\$464
Price Category L	+\$518
Price Category R	+\$1591

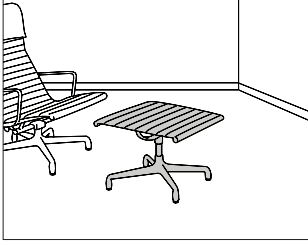
For tilt swivel, arms, and headrest (22)

Price Category 1	+\$0
Price Category 2	+\$68
Price Category 3	+\$155
Price Category 4	+\$222
Price Category (Geiger) 4	+\$222
Price Category 5	+\$246
Price Category (Geiger) 5	+\$246
Price Category 6	+\$514
Price Category (Geiger) 6	+\$514
Price Category 7	+\$298
Price Category (Geiger) 7	+\$298
Price Category 8	+\$533
Price Category 9	+\$768
Price Category (Geiger) 10	+\$1175
Price Category 10M	+\$1285
Price Category 11	+\$1021
Price Category B	+\$68
Price Category C	+\$96
Price Category D	+\$124
Price Category F	+\$193
Price Category G	+\$251
Price Category H	+\$305
Price Category I	+\$358
Price Category J	+\$412
Price Category K	+\$464
Price Category L	+\$518
Price Category R	+\$1591

HermanMiller Ancillary-Lounge Seating

Eames® Aluminum Group
Ottoman

EA323



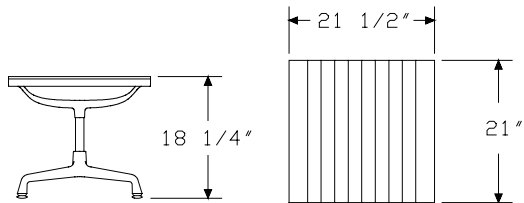
HermanMiller Ancillary-Lounge Seating

Product Information

Description
This upholstered ottoman has a lightweight aluminum frame and 1/2" (GD) glides for hard floors or carpet.

Notes
For description of glides, see Casters and Glides in Appendices.
Customer's Own Material (COM) requires 1 yard. Customer's Own Leather (COL) requires 20 square feet. See Order Information in Appendices.

Dimensions



Specification Information

Step 1.
EA323 [A] \$1363

Step 2. Base/Frame Finish

L	polished aluminum [A]	+\$0
BK	black [A]	+\$69
91	white [A]	+\$69
EP	eggplant [A]	+\$69

Step 3. Fabric

See application chart and textiles list for fabric usage and numbers.
First 2 digits of number indicate fabric line; remaining digit(s) indicate fabric color.

Price Category 1	+\$0
Price Category 2	+\$36
Price Category 3	+\$68
Price Category 4	+\$103
Price Category (Geiger) 4	+\$103
Price Category 5	+\$130
Price Category (Geiger) 5	+\$130
Price Category 6	+\$155
Price Category (Geiger) 6	+\$155
Price Category 7 [A]	+\$136
Price Category (Geiger) 7	+\$136
Price Category 8	+\$194
Price Category 9	+\$348
Price Category (Geiger) 10	+\$396
Price Category 10M	+\$463
Price Category 11	+\$410
Price Category B	+\$35
Price Category C	+\$52
Price Category D	+\$71
Price Category (DWR) 4	+\$86
Price Category E	+\$85
Price Category F	+\$110
Price Category G	+\$143
Price Category H	+\$174
Price Category I	+\$204
Price Category J	+\$235
Price Category K	+\$265
Price Category L	+\$296
Price Category R	+\$776

Eames® Soft Pad Lounge Chair

EA416
EA422



Product Information

Description

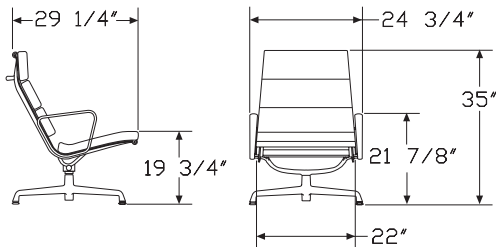
This high-back chair has a lightweight aluminum frame and 2" thick upholstered foam cushions. It has a 4-star base with 1/2" (GD) glides for hard floors or carpet and a fixed seat height.

Notes

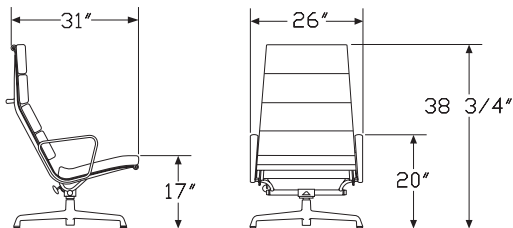
For description of glides, see Casters and Glides in Appendices. Customer's Own Material (COM) requires 3 yards for 3-cushion chair and 4 yards for 4-cushion chair. Customer's Own Leather (COL) requires 56 square feet for 3-cushion chair and 63 square feet for 4-cushion chair. See Order Information in Appendices.

Dimensions

Swivel



Tilt Swivel



Specification Information

Step 1.

EA4

Step 2. Tilt/Number of Cushions/Arms

16 swivel, 3 cushions, and arms

22 tilt swivel, 4 cushions, and arms

Prices for Steps 1-2.

EA416 \$4919

EA422 \$4990

Step 3. Base/Frame Finish

L polished aluminum +\$0

BK black +\$133

91 white +\$133

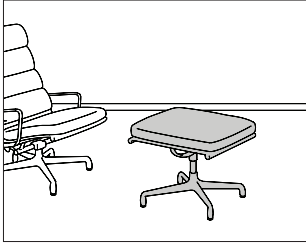
EP eggplant +\$133

Eames® Soft Pad Lounge Chair

continued

HermanMiller Ancillary-Lounge Seating

Step 4. Fabric	
Price Category 1	+\$0
Price Category 2	+\$88
Price Category 3	+\$203
Price Category (Geiger) 3	+\$203
Price Category 4	+\$324
Price Category (Geiger) 4	+\$324
Price Category (DWR) 4	+\$270
Price Category 5	+\$407
Price Category (Geiger) 5	+\$407
Price Category 6	+\$420
Price Category (Geiger) 6	+\$420
Price Category 7	+\$432
Price Category (Geiger) 7	+\$432
Price Category 8	+\$546
Price Category 9	+\$779
Price Category 10	+\$959
Price Category (Geiger) 10	+\$803
Price Category 10M	+\$1352
Price Category 11	+\$1158
Price Category B	+\$119
Price Category C	+\$167
Price Category D	+\$211
Price Category E	+\$256
Price Category F	+\$330
Price Category G	+\$430
Price Category H	+\$522
Price Category I	+\$613
Price Category J	+\$706
Price Category K	+\$797
Price Category L	+\$888
Price Category P	+\$1255
Price Category R	+\$2518



Product Information

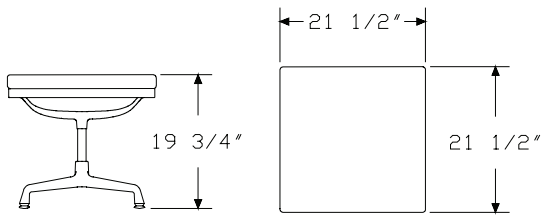
Description

This ottoman has a lightweight aluminum frame, a 2"-thick upholstered foam cushion, and 1/2" (GD) glides for hard floors or carpet.

Notes

For description of glides, see Casters and Glides in Appendices.
 Customer's Own Material (COM) requires 1 1/4 yards. Customer's Own Leather (COL) requires 27 square feet. See Order Information in Appendices.

Dimensions



Specification Information

Step 1.

EA423 A \$2084

Step 2. Base/Frame Finish

L	polished aluminum A	+\$0
BK	black A	+\$69
91	white A	+\$69
EP	eggplant A	+\$69

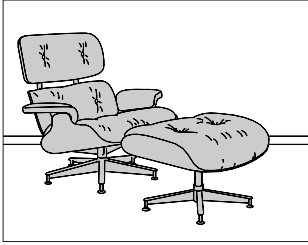
Step 3. Fabric

See application chart and textiles list for fabric usage and numbers.
 First 2 digits of number indicate fabric line; remaining digit(s) indicate fabric color.

Price Category 1	+\$0
Price Category 2	+\$86
Price Category 3	+\$130
Price Category (Geiger) 3	+\$130
Price Category 4	+\$161
Price Category (Geiger) 4	+\$161
Price Category 5	+\$178
Price Category (Geiger) 5	+\$178
Price Category 6	+\$198
Price Category (Geiger) 6	+\$588
Price Category 7	+\$173
Price Category (Geiger) 7	+\$173
Price Category 8	+\$263
Price Category 9	+\$382
Price Category 10	+\$353
Price Category (Geiger) 10	+\$431
Price Category 10M	+\$652
Price Category 11	+\$545
Price Category B	+\$43
Price Category C	+\$67
Price Category D	+\$89
Price Category (DWR) 4	+\$134
Price Category E	+\$106
Price Category F	+\$138
Price Category G	+\$179
Price Category H	+\$217
Price Category I	+\$256
Price Category J	+\$294
Price Category K	+\$332
Price Category L	+\$371
Price Category P	+\$523
Price Category R	+\$792

Eames® Lounge Chair and Ottoman

ES670



HermanMiller Ancillary-Lounge Seating

Product Information

Description

This fixed-height chair has a molded veneer seat and back shell; the ottoman has a molded veneer shell. Both the chair and ottoman have foam cushions with leather upholstery and a black enameled base with polished aluminum accents. The chair has a swivel mechanism.

Notes

Santos palisander veneer is celebrated for its unique grain and color variations. Similar products ordered in multiples or dissimilar products ordered separately should be expected to have variation in both grain and color characteristics.

The Eames® Lounge is handcrafted and should be celebrated as such. No two chairs are alike.

Dimensions should be noted as reference guides and can vary up to $\frac{3}{4}$ ". See illustration with dimensional chart for standard and tall versions. Description of dimensions is below.

Given the degree of variation, below are the exact points from which dimensions are taken (reference to panel relates to the wood panel of chair shell):

A—Overall Depth is taken from front of seat panel to top of back panel.

B—Sit Height is taken from highest point of seat cushion to the floor.

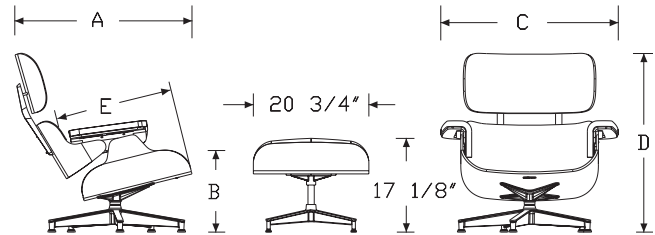
C—Overall Width is measured from the outside edge of each arm rest.

D—Overall Height is measured from top of back panel to the floor.

E—Seat Depth is taken from where seat cushion meets bottom back panel cushion to front of seat panel.

Customer's Own Leather (COL) for the classic size (ES67071) requires 55 square feet, and for the tall size (ES67071T) requires 70 square feet. See Order Information in Appendices.

Dimensions



Size	A	B	C	D	E
Classic	35"	16"	33 1/2"	31 1/2"	21 1/4"
Tall	37 3/4"	16 1/2"	33 1/2"	33 1/4"	23 1/4"

Eames® Lounge Chair and Ottoman *continued*

Specification Information

Step 1.

ES6707 A

Step 2. Size

1 classic A

1T tall A

Prices for Steps 1-2.

ES6707 1	\$7078
1T	\$7384

Step 3. Shell Finish

OU walnut A +\$0

5Q oiled walnut A +\$979

9N santos palisander A +\$1014

5D oiled santos palisander A +\$1977

WHN white oak A +\$0

Step 4. Material

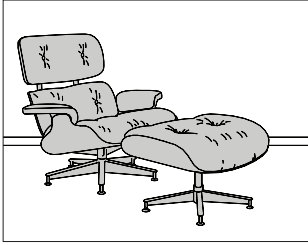
See application chart and textiles list for fabric usage and numbers.

First 2 digits of number indicate fabric line; remaining digit(s) indicate fabric color.

Price Category 7 <input type="checkbox"/> A	+\$360
Price Category 9	+\$734
Price Category (Geiger) 10	+\$922
Price Category 10M	+\$1660
Price Category 11	+\$1072
Price Category (Geiger) 11	+\$1109
Price Category K	+\$1346
Price Category P	+\$1470
Price Category R	+\$1940

Eames® Lounge Chair and Ottoman, Ebony

ES670



HermanMiller Ancillary-Lounge Seating

Product Information

Description

This fixed-height chair and ottoman has a molded ebony ash plywood shell and foam cushions with black leather upholstery. The chair base, back supports, and ottoman base are black enamel with aluminum accents. The chair has a swivel mechanism.

Notes

The Eames® Lounge is handcrafted and should be celebrated as such. No two chairs are alike.

Dimensions should be noted as reference guides and can vary up to $\frac{3}{4}$ ". See illustration with dimensional chart for standard and tall versions. Description of dimensions is below.

Given the degree of variation, below are the exact points from which dimensions are taken (reference to panel relates to the wood panel of chair shell):

A—Overall Depth is taken from front of seat panel to top of back panel.

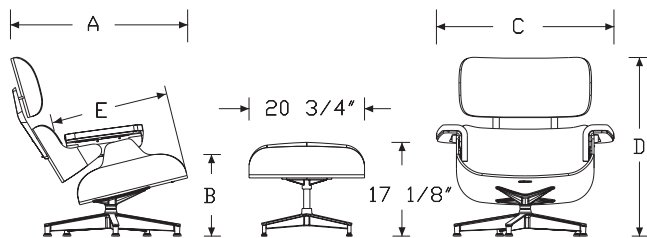
B—Sit Height is taken from highest point of seat cushion to the floor.

C—Overall Width is measured from the outside edge of each arm rest.

D—Overall Height is measured from top of back panel to the floor.

E—Seat Depth is taken from where seat cushion meets bottom back panel cushion to front of seat panel.

Dimensions



Size	A	B	C	D	E
Classic	35"	16"	33 1/2"	31 1/2"	21 1/4"
Tall	37 3/4"	16 1/2"	33 1/2"	33 1/4"	23 1/4"

Specification Information

Step 1.

ES67071E A

Step 2. Size

N classic A

NT tall A

Prices for Steps 1-2.

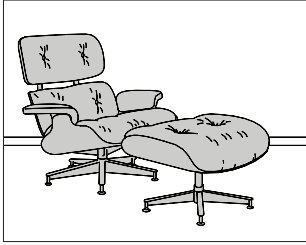
ES67071E N	\$7757
NT	\$8031

Step 3. Material

Price Category 7 <input type="checkbox"/> A	+\$360
Price Category 9	+\$734
Price Category 10M	+\$1660
Price Category 11	+\$1072
Price Category K	+\$1346
Price Category P	+\$1470
Price Category R	+\$1940

Eames® Lounge Chair and Ottoman White Ash

ES670



Product Information

Description

This fixed-height chair and ottoman has a molded white ash plywood shell and foam cushions with white leather upholstery. The chair base, back supports, and ottoman base are white enamel with aluminum accents. The chair has a swivel mechanism.

Notes

The Eames® Lounge is handcrafted and should be celebrated as such. No two chairs are alike.

Dimensions should be noted as reference guides and can vary up to 3/4". See illustration with dimensional chart for standard and tall versions. Description of dimensions is below.

Given the degree of variation, below are the exact points from which dimensions are taken (reference to panel relates to the wood panel of chair shell):

A—Overall Depth is taken from front of seat panel to top of back panel.

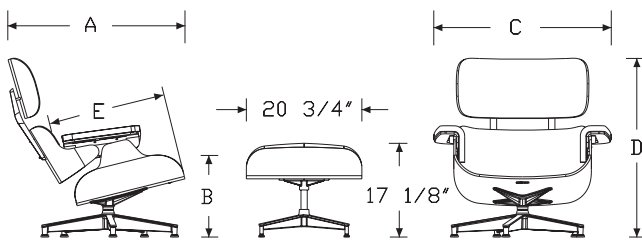
B—Sit Height is taken from highest point of seat cushion to the floor.

C—Overall Width is measured from the outside edge of each arm rest.

D—Overall Height is measured from top of back panel to the floor.

E—Seat Depth is taken from where seat cushion meets bottom back panel cushion to front of seat panel.

Dimensions



Size	A	B	C	D	E
Classic	35"	16"	33 1/2"	31 1/2"	21 1/4"
Tall	37 3/4"	16 1/2"	33 1/2"	33 1/4"	23 1/4"

Specification Information

Step 1.

ES67071R A

Step 2. Size

E classic A

ET tall A

Prices for Steps 1-2.

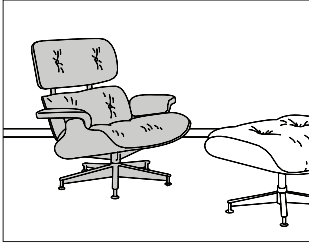
ES67071R E \$7757
ET \$8031

Step 3. Material

See application chart and textiles list for fabric usage and numbers.

First 2 digits of number indicate fabric line; remaining digit(s) indicate fabric color.

Price Category 7 A +\$360
 Price Category 9 +\$734
 Price Category 10M +\$1660
 Price Category 11 +\$1072
 Price Category K +\$1346
 Price Category P +\$1470
 Price Category R +\$1940



Product Information

Description

This fixed-height chair has a molded veneer seat and back shell. It has foam cushions with leather upholstery, a black enameled base with polished aluminum accents, and a swivel mechanism.

Notes

Santos palisander veneer is celebrated for its unique grain and color variations. Similar products ordered in multiples or dissimilar products ordered separately should be expected to have variation in both grain and color characteristics.

The Eames® Lounge is handcrafted and should be celebrated as such. No two chairs are alike.

Dimensions should be noted as reference guides and can vary up to 3/4". See illustration with dimensional chart for standard and tall versions. Description of dimensions is below.

Given the degree of variation, below are the exact points from which dimensions are taken (reference to panel relates to the wood panel of chair shell):

A—Overall Depth is taken from front of seat panel to top of back panel.

B—Sit Height is taken from highest point of seat cushion to the floor.

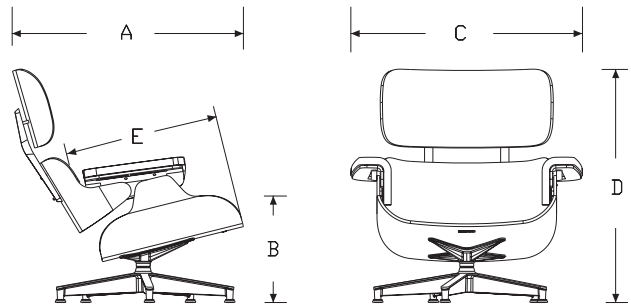
C—Overall Width is measured from the outside edge of each arm rest.

D—Overall Height is measured from top of back panel to the floor.

E—Seat Depth is taken from where seat cushion meets bottom back panel cushion to front of seat panel.

Customer's Own Leather (COL) for the classic size (ES670) requires 40 square feet, and for the tall size (ES670T) requires 55 square feet. See Order Information in appendices.

Dimensions



Size	A	B	C	D	E
Classic	35"	16"	33 1/2"	31 1/2"	21 1/4"
Tall	37 3/4"	16 1/2"	33 1/2"	33 1/4"	23 1/4"

Eames® Lounge Chair *continued*

Specification Information

Step 1.

ES67

Step 2. Size

0 classic

0T tall

Prices for Steps 1-2.

ES670	\$5812
ES670T	\$6036

Step 3. Shell Finish

OU walnut +\$0

5Q oiled walnut +\$731

9N santos palisander +\$812

5D oiled santos palisander +\$1476

WHN white oak +\$0

Step 4. Material

Price Category 7 +\$346

Price Category 9 +\$538

Price Category (Geiger) 10 +\$752

Price Category 10M +\$1217

Price Category 11 +\$781

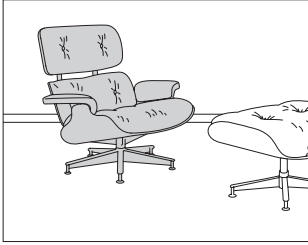
Price Category (Geiger) 11 +\$806

Price Category K +\$1140

Price Category P +\$1200

Price Category R +\$1823

Eames® Lounge Chair, Ebony ES670



HermanMiller Ancillary-Lounge Seating

Product Information

Description
 This fixed-height chair has a molded ebony ash plywood shell and foam cushions with black leather upholstery. The chair base and back supports are black enamel with aluminum accents. The chair has a swivel mechanism.

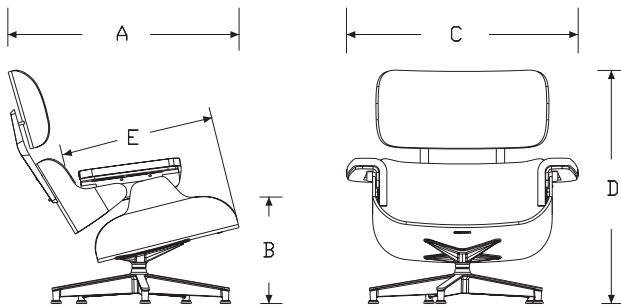
Notes

The Eames® Lounge is handcrafted and should be celebrated as such. No two chairs are alike. Dimensions should be noted as reference guides and can vary up to 3/4". See illustration with dimensional chart for standard and tall versions. Description of dimensions is below.

Given the degree of variation, below are the exact points from which dimensions are taken (reference to panel relates to the wood panel of chair shell):

- A—Overall Depth is taken from front of seat panel to top of back panel.
- B—Sit Height is taken from highest point of seat cushion to the floor.
- C—Overall Width is measured from the outside edge of each arm rest.
- D—Overall Height is measured from top of back panel to the floor.
- E—Seat Depth is taken from where seat cushion meets bottom back panel cushion to front of seat panel.

Dimensions



Size	A	B	C	D	E
Classic	35"	16"	33 1/2"	31 1/2"	21 1/4"
Tall	37 3/4"	16 1/2"	33 1/2"	33 1/4"	23 1/4"

Specification Information

Step 1.

ES670 A

Step 2. Size

EN classic A

ENT tall A

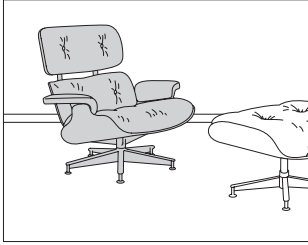
Prices for Steps 1-2.

ES670 EN	\$6103
ENT	\$6374

Step 3. Material

Price Category 7 <input type="checkbox"/> A	+\$346
Price Category 9	+\$564
Price Category 10M	+\$1217
Price Category 11	+\$781
Price Category K	+\$1140
Price Category P	+\$1200
Price Category R	+\$1823

Eames® Lounge Chair White Ash ES670



Product Information

Description

This fixed-height chair has a molded white ash plywood shell and foam cushions with white leather upholstery. The chair base and back supports are white enamel with aluminum accents. The chair has a swivel mechanism.

Notes

The Eames® Lounge is handcrafted and should be celebrated as such. No two chairs are alike.

Dimensions should be noted as reference guides and can vary up to 3/4". See illustration with dimensional chart for standard and tall versions. Description of dimensions is below.

Given the degree of variation, below are the exact points from which dimensions are taken (reference to panel relates to the wood panel of chair shell):

A—Overall Depth is taken from front of seat panel to top of back panel.

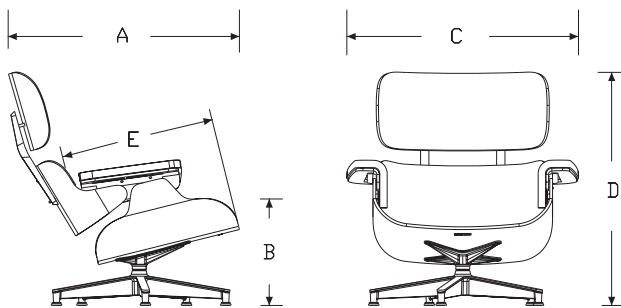
B—Sit Height is taken from highest point of seat cushion to the floor.

C—Overall Width is measured from the outside edge of each arm rest.

D—Overall Height is measured from top of back panel to the floor.

E—Seat Depth is taken from where seat cushion meets bottom back panel cushion to front of seat panel.

Dimensions



Size	A	B	C	D	E
Classic	35"	16"	33 1/2"	31 1/2"	21 1/4"
Tall	37 3/4"	16 1/2"	33 1/2"	33 1/4"	23 1/4"

Specification Information

Step 1.

ES670 A

Step 2. Size

RE classic A

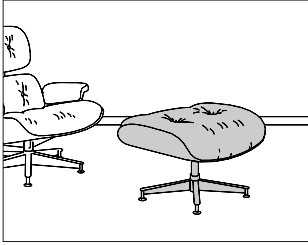
RET tall A

Prices for Steps 1-2.

ES670 RE	\$6103
RET	\$6374

Step 3. Material

Price Category 7 <input type="checkbox"/> A	+\$346
Price Category 9	+\$564
Price Category 10M	+\$1217
Price Category 11	+\$781
Price Category K	+\$1140
Price Category P	+\$1200
Price Category R	+\$1823



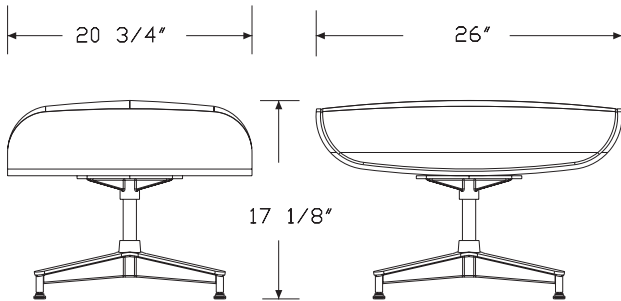
Product Information

Description
 This ottoman has a molded veneer shell, foam cushion with leather upholstery, and black enameled base with polished aluminum accents.

Notes

Santos palisander veneer is celebrated for its unique grain and color variations. Similar products ordered in multiples or dissimilar products ordered separately should be expected to have variation in both grain and color characteristics.
 The Eames® Lounge is handcrafted and should be celebrated as such.
 No two chairs are alike.
 Dimensions should be noted as reference guides and can vary up to 3/4".
 Customer's Own Leather (COL) requires 15 square feet. See Order Information in Appendices.

Dimensions



Specification Information

Step 1.

ES671 [A] \$2152

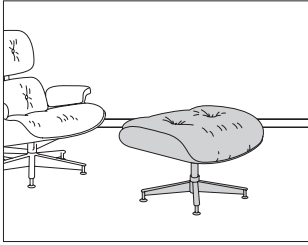
Step 2. Shell Finish

OU	walnut [A]	+\$0
9N	santos palisander [A]	+\$301
5Q	oiled walnut [A]	+\$335
5D	oiled santos palisander [A]	+\$621
WHN	white oak [A]	+\$0

Step 3. Material

See application chart and textiles list for fabric usage and numbers.
 First 2 digits of number indicate fabric line; remaining digit(s) indicate fabric color.

Price Category 7	+\$128
Price Category 9	+\$197
Price Category (Geiger) 10	+\$250
Price Category 10M	+\$482
Price Category 11	+\$290
Price Category (Geiger) 11	+\$302
Price Category K	+\$420
Price Category P	+\$480
Price Category R	+\$830



Product Information

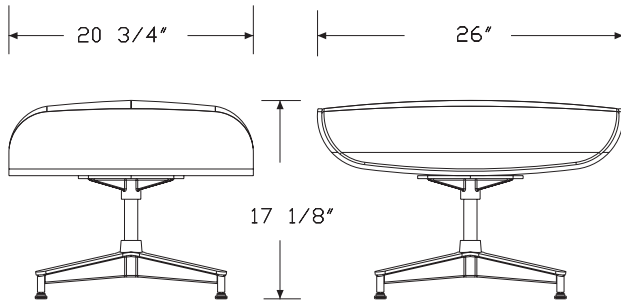
Description

This ottoman has a molded ebony ash veneer shell, foam cushion with black leather upholstery, and a black enamel base with aluminum accents.

Notes

The Eames® Lounge is handcrafted and should be celebrated as such. No two chairs are alike. Dimensions should be noted as reference guides and can vary up to 3/4".

Dimensions



Specification Information

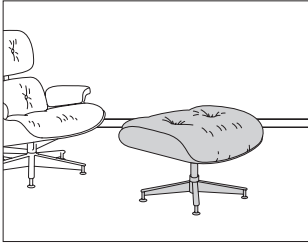
Step 1.

ES671EN A \$2358

Step 2. Material

Price Category 7	+\$128
Price Category 9	+\$197
Price Category 10M	+\$482
Price Category 11	+\$290
Price Category K	+\$420
Price Category P	+\$480
Price Category R	+\$830

HermanMiller Ancillary-Lounge Seating



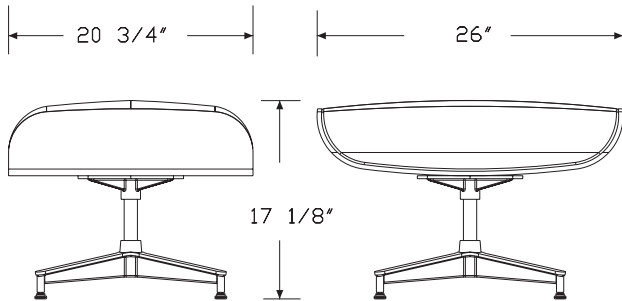
HermanMiller Ancillary-Lounge Seating

Product Information

Description
 This ottoman has a molded plywood shell, foam cushion with white leather upholstery, and a white enamel base with aluminum accents.

Notes
 The Eames® Lounge is handcrafted and should be celebrated as such. No two chairs are alike.
 Dimensions should be noted as reference guides and can vary up to 3/4".

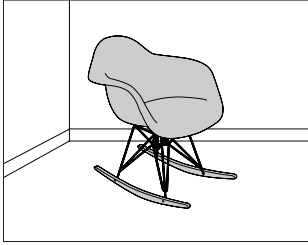
Dimensions



Specification Information

Step 1.	
ES671RE [A]	\$2358
Step 2. Material	
Price Category 10M	+\$482
Price Category 9	+\$197
Price Category 7	+\$128
Price Category 11	+\$290
Price Category K	+\$420
Price Category P	+\$480
Price Category R	+\$830

Eames® Molded Plastic Armchair RAR.
Rocker Base

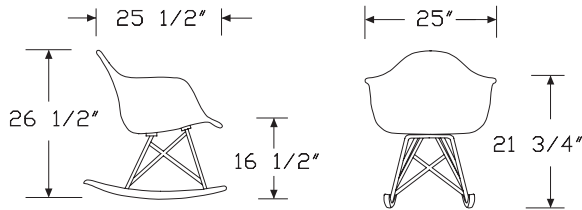


Product Information

Description

This chair has a single-piece molded seat and back with arms, waterfall edges, and chrome or black legs with solid-maple or walnut rockers.

Dimensions



Specification Information

Step 1.

RA

Step 2. Base Option

R. rocker base with nonupholstered shell

Prices for Steps 1-2.

RAR. \$950

Step 3. Base Finish

91	white <input type="checkbox"/>	+\$0
BK	black	+\$0
47	trivalent chrome	+\$20

Step 4. Rocker Finish

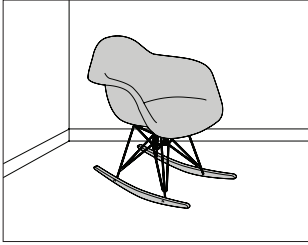
UL	natural maple	+\$0
A2	white ash <input type="checkbox"/>	+\$30
OU	walnut	+\$30
WHN	natural white oak <input type="checkbox"/>	+\$30

Step 5. Seat/Back Finish

BKR	brick red	+\$0
BLG	blue green	+\$0
CC1	cocoa	+\$0
DYL	deep yellow	+\$0
EVG	evergreen	+\$0
LTY	light grey	+\$0
MGR	medium grey	+\$0
PBU	pale blue	+\$0
RYG	grey green	+\$0
ZA	black	+\$0
ZE	red orange	+\$0
ZF	white	+\$0

Eames® Upholstered Molded Plastic Armchair Rocker Base

RAR.



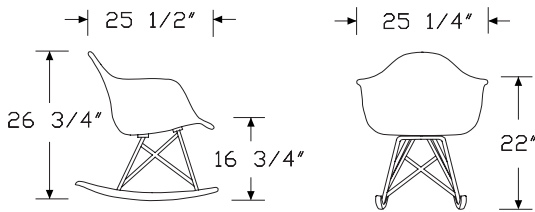
HermanMiller Ancillary-Lounge Seating

Product Information

Description
 This chair has a single-piece molded plastic shell with waterfall edges and upholstered seat, back, and arms or an upholstered seat pad. Legs are chrome, black or white with solid maple, ash or walnut rockers.

Notes
 For upholstered seat pad (P), Customer's Own Material (COM) requires 1 yard. Customer's Own Leather (COL) requires 9 square feet. See Order Information in appendices.

Dimensions



Specification Information

Step 1.

RA

Step 2. Base and Upholstery Option

R. rocker base

Step 3. Upholstery

U fully upholstered shell

P upholstered seat pad

Prices for Steps 1-3.

RAR. U	\$1291
P	\$1114

Step 4. Base Finish

91 white	+\$0
BK black	+\$0
47 trivalent chrome	+\$20

Step 5. Rocker Finish

UL natural maple <input type="checkbox"/>	+\$0
A2 white ash <input type="checkbox"/>	+\$30
OU walnut <input type="checkbox"/>	+\$30
WHN natural white oak <input type="checkbox"/>	+\$30

Step 6. Back Finish

BKR brick red <input type="checkbox"/>	+\$0
BLG blue green <input type="checkbox"/>	+\$0
CC1 cocoa <input type="checkbox"/>	+\$0
DYL deep yellow <input type="checkbox"/>	+\$0
EVG evergreen <input type="checkbox"/>	+\$0
LTY light grey <input type="checkbox"/>	+\$0
MGR medium grey <input type="checkbox"/>	+\$0
PBU pale blue <input type="checkbox"/>	+\$0
RYG grey green <input type="checkbox"/>	+\$0
ZA black <input type="checkbox"/>	+\$0
ZE red orange <input type="checkbox"/>	+\$0
ZF white <input type="checkbox"/>	+\$0

Step 7. Edge Finish

For fully upholstered shell (U)

111 parchment <input type="checkbox"/>	+\$0
BK black <input type="checkbox"/>	+\$0
ZF white <input type="checkbox"/>	+\$0

Eames® Upholstered Molded Plastic Armchair Rocker Base

continued

Step 8. Fabric

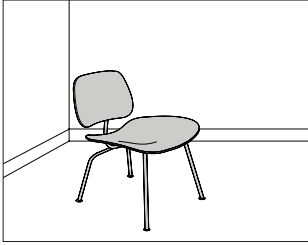
For fully upholstered shell (U)

Price Category 2	+\$44
Price Category 4	+\$50
Price Category 5	+\$73
Price Category B	+\$36
Price Category H	+\$254
Price Category J	+\$348
Price Category K	+\$456

For upholstered seat pad (P)

Price Category 1	+\$0
Price Category 2	+\$31
Price Category (Geiger) 2	+\$31
Price Category 3	+\$36
Price Category 4	+\$41
Price Category (Geiger) 4	+\$41
Price Category 5	+\$73
Price Category (Geiger) 5	+\$73
Price Category (Geiger) 6	+\$97
Price Category 7	+\$133
Price Category (Geiger) 7	+\$133
Price Category 8	+\$175
Price Category (Geiger) 8	+\$175
Price Category 9	+\$259
Price Category 10	+\$281
Price Category 11	+\$314
Price Category B	+\$36
Price Category C	+\$60
Price Category D	+\$83
Price Category E	+\$107
Price Category F	+\$154
Price Category G	+\$204
Price Category I	+\$300
Price Category K	+\$456
Price Category R	+\$793

Eames® Molded Plywood Lounge Chair Metal Base LCM.



HermanMiller Ancillary-Lounge Seating

Product Information

Description

This 26½"-high molded plywood chair has natural face veneers, hardwood inner plies, and a 5-ply seat and back. It has a polished chrome-plated 4-leg base and self-leveling nylon glides. When upholstered, the back and seat shells have exposed veneer on their backside.

Notes

Red stain (11) shell finish is on birch veneer. This stain allows the wood grain to show through; inner plies are visible. Natural variations in wood grain may affect the appearance of this stain color.

Ebony (EN) shell finish is stain on ash veneer; inner plies are not as visible.

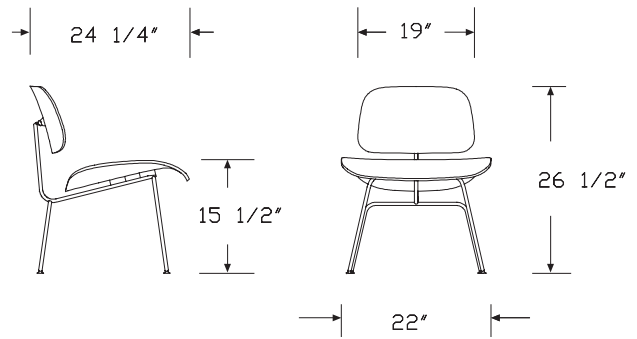
Santos palisander veneer is celebrated for its unique grain and color variations. Similar products ordered in multiples or dissimilar products ordered separately should be expected to have variation in both grain and color characteristics; no two products will look exactly alike.

Black (BK) base finish has black glides. Trivalent chrome (47) base finish has white glides.

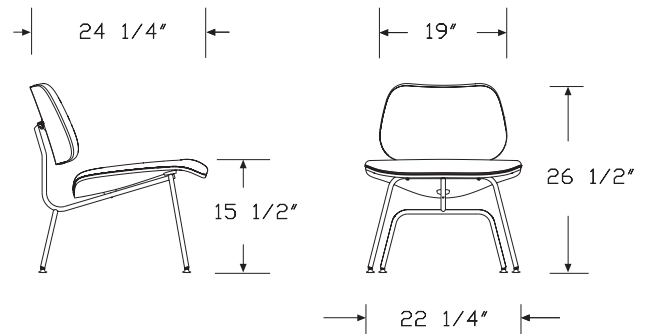
Avoid placement in direct sunlight.

Customer's Own Material (COM) requires 1 yard. Customer's Own Leather (COL), requires 24 square feet. See COM Information in Appendices for additional information.

Dimensions



nonupholstered



upholstered

Eames® Molded Plywood Lounge Chair Metal Base *continued*

Specification Information

Step 1.

LC A

Step 2. Upholstery

M. nonupholstered shell A

M.U upholstered shell A

Prices for Steps 1-2.

LCM. \$1119

LCM.U \$1772

Step 3. Base Finish

BK black A +\$0

47 trivalent chrome A +\$20

Step 4. Shell Finish

Wood Veneer

For nonupholstered shell (M.)

OU walnut A +\$0

11 red stain A +\$115

A2 white ash A +\$115

EN ebony A +\$115

9N santos palisander A +\$285

Wood Veneer

For upholstered shell (M.U)

OU walnut A +\$0

11 red stain A +\$115

A2 white ash A +\$115

EN ebony A +\$115

9N santos palisander A +\$285

Step 5. Fabric

For upholstered shell (M.U)

Price Category 1 +\$0

Price Category 2 +\$36

Price Category (Geiger) 2 +\$36

Price Category 3 +\$68

Price Category (Geiger) 3 +\$68

Price Category 4 +\$103

Price Category (Geiger) 4 +\$103

Price Category 5 +\$121

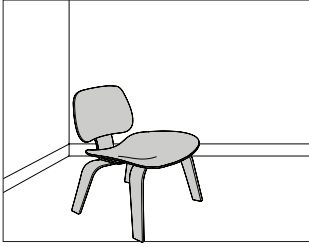
Price Category (Geiger) 5 +\$108

Price Category 6 +\$137

Price Category (Geiger) 6 +\$137

Price Category 7	+\$217
Price Category (Geiger) 7	+\$217
Price Category 8	+\$283
Price Category (Geiger) 8	+\$283
Price Category 9	+\$482
Price Category 9	+\$482
Price Category 10	+\$575
Price Category (Geiger) 10	+\$575
Price Category 11	+\$692
Price Category 14	+\$749
Price Category C	+\$55
Price Category D	+\$71
Price Category E	+\$85
Price Category F	+\$110
Price Category G	+\$143
Price Category H	+\$174
Price Category I	+\$204
Price Category J	+\$235
Price Category K	+\$265
Price Category L	+\$296
Price Category M	+\$326
Price Category N	+\$358
Price Category O	+\$388
Price Category P	+\$419
Price Category Q	+\$450
Price Category R	+\$853

Eames® Molded Plywood Lounge Chair Wood Base LCW.



HermanMiller Ancillary-Lounge Seating

Product Information

Description

This 26½"-high molded plywood chair has natural face veneers, hardwood inner plies, a 5-ply seat and back, and 8-ply legs. When upholstered, the back and seat shells have exposed veneer on their backside.

Notes

Red stain (11) shell finish is on birch veneer. This stain allows the wood grain to show through; inner plies are visible. Natural variations in wood grain may affect the appearance of this stain color.

Ebony (EN) shell finish is stain on ash veneer; inner plies are not as visible.

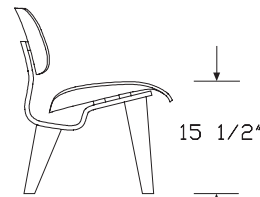
Santos palisander veneer is celebrated for its unique grain and color variations. Similar products ordered in multiples or dissimilar products ordered separately should be expected to have variation in both grain and color characteristics; no two products will look exactly alike.

Avoid placement in direct sunlight.

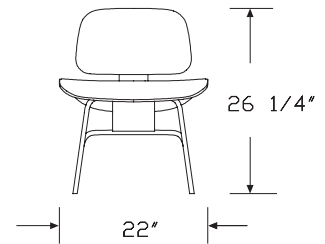
Customer's Own Material (COM) requires 1 yard. Customer's Own Leather (COL), requires 24 square feet. See COM Information in Appendices for additional information.

Dimensions

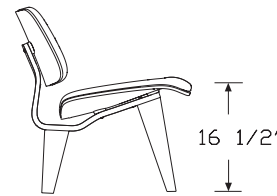
← 25 1/4" →



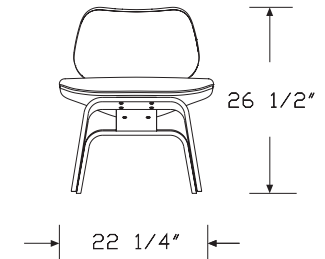
nonupholstered



← 25" →



upholstered



Eames® Molded Plywood Lounge Chair Wood Base *continued*

Specification Information

Step 1.

LC A

Step 2. Upholstery

W. nonupholstered shell A

W.U upholstered shell A

Prices for Steps 1-2.

LCW. \$1476

LCW.U \$2084

Step 3. Finish

For nonupholstered shell (W.)

OU walnut A +\$0

11 red stain A +\$154

A2 white ash A +\$154

EN ebony A +\$154

FRN forest stain A +\$154

9N santos palisander A +\$575

For upholstered shell (W.U)

OU walnut A +\$0

11 red stain A +\$154

A2 white ash A +\$154

EN ebony A +\$154

9N santos palisander A +\$575

Step 4. Fabric

For upholstered shell (W.U)

Price Category 1 +\$0

Price Category 2 +\$36

Price Category (Geiger) 2 +\$36

Price Category 3 +\$68

Price Category 4 +\$103

Price Category (Geiger) 4 +\$103

Price Category 5 +\$121

Price Category (Geiger) 5 +\$108

Price Category 6 +\$137

Price Category (Geiger) 6 +\$137

Price Category 7 +\$217

Price Category (Geiger) 7 +\$217

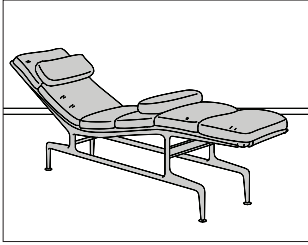
Price Category 8 +\$283

Price Category (Geiger) 8 +\$283

Price Category 9 +\$482

Price Category 9 +\$482

Price Category 10	+\$575
Price Category (Geiger) 10	+\$575
Price Category 11	+\$692
Price Category 14	+\$749
Price Category C	+\$55
Price Category D	+\$71
Price Category E	+\$85
Price Category F	+\$110
Price Category G	+\$143
Price Category H	+\$174
Price Category I	+\$204
Price Category J	+\$235
Price Category K	+\$265
Price Category L	+\$296
Price Category M	+\$326
Price Category N	+\$358
Price Category O	+\$388
Price Category P	+\$419
Price Category Q	+\$450
Price Category R	+\$853



HermanMiller Ancillary-Lounge Seating

Product Information

Description

This chaise has 6 2"-thick foam cushions with leather upholstery supported by a fabric sling. It has nylon glides and includes 2 loose cushions.

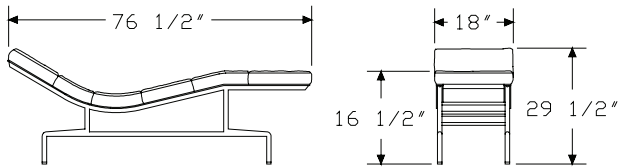
Notes

COL requires 65 square feet.

When pearl MCL leather (1R01) is specified, the fabric sling will be white.

When black MCL leather (1R10) is specified, the fabric sling will be black.

Dimensions



Specification Information

Step 1.

ES106 [A] \$9360

Step 2. Frame Finish

91 white [A] +\$450

EP eggplant [A] +\$450

G2 graphite satin [A] +\$450

Step 3. Leather

See application chart and textiles list for fabric usage and numbers. First 2 digits of number indicate fabric line; remaining digit(s) indicate fabric color.

For white (91)

Price Category R +\$2519

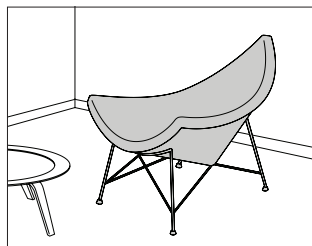
Price Category 11 +\$1423

For eggplant (EP) or graphite satin (G2)

Price Category R +\$2519

Price Category 11 +\$1423

Nelson™ Coconut Lounge Chair 5569.

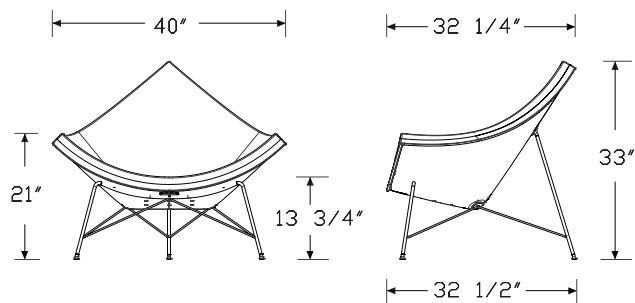


Product Information

Description

This chair has a 1-piece foam cushion upholstered in black leather, a white molded plastic shell, and a polished chrome base.

Dimensions



Specification Information

Step 1.

5569. [A] \$4738

Step 2. Base Option

91 white [A] +\$0

47 trivalent chrome [A] +\$50

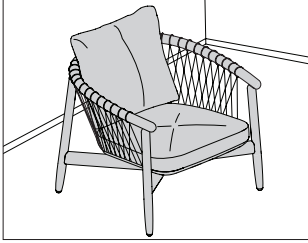
Step 3. Upholstery

Price Category D +\$300

Price Category K +\$2700

Crosshatch Lounge Chair

SES1A
SES1W



HermanMiller Ancillary-Lounge Seating

Product Information

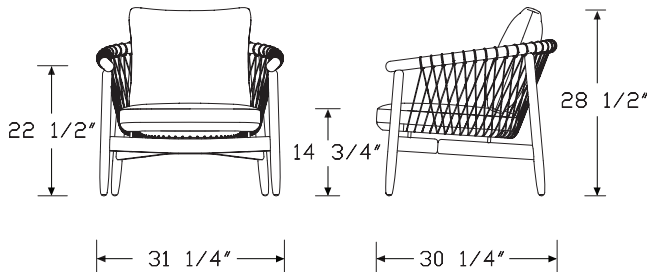
Description

This lounge chair has a solid wood frame with cushions made of foam and DACRON®. Chair cord comes in several color options. Fire retardant chair meets CAL 133 requirements.

Notes

Cord color is specified separately from cushion color.
Customer's Own Material (COM) requires 1½ yards. Customer's Own Leather (COL) requires 27 square feet. See Order Information in Appendices.

Dimensions



Specification Information

Step 1.

SES1

Step 2. Frame Finish

A ash

W walnut

Prices for Steps 1-2.

SES1A \$3661
SES1W \$4350

Step 3. Wood Finish

Low Sheen Finishes (on Ash)

For ash (A)

967 smoked paldao, low sheen +\$0
969 warm paldao, low sheen +\$0

Low Sheen Finishes (on Walnut)

For ash (A)

G2U light brown walnut, low sheen +\$0
G40 dark brown walnut, low sheen +\$0
940 sundance cherry on maple +\$0
943 caramel cherry +\$0
946 cocoa cherry +\$0
956 cocoa sapele +\$0
962 toasted walnut, low sheen +\$0
963 charred walnut, low sheen +\$0
964 bronzed walnut, low sheen +\$0
965 smoked walnut, low sheen +\$0
966 coffee walnut, low sheen +\$0
977 chocolate ash, low sheen +\$0
98R recograin rosewood +\$0
991 champagne ash +\$0
998 ebony ash +\$0
99A recograin frosty ash +\$0
99R recograin rosewood +\$0
99T recograin teak +\$0
9A1 white ash, quarter cut, low sheen +\$0
9K1 rift oak, rift cut, low sheen +\$0
9K6 burnt oak, rift cut, low sheen +\$0

Crosshatch Lounge Chair *continued*

Matte Sheen Finishes (on Ash)

For ash (A)

66A	recograin frosty ash A	+\$0
677	chocolate ash, matte sheen A	+\$0
68R	recograin rosewood A	+\$0
69A	recograin frosty ash A	+\$0
69R	recograin rosewood A	+\$0
69T	recograin teak A	+\$0
6A1	white ash A	+\$0
6K1	rift oak A	+\$0
6K6	burnt oak A	+\$0
ET	clear on ash A	+\$0
EU	oak on ash A	+\$0
EV	walnut on ash A	+\$0
GOU	natural walnut, flat cut, matte sheen A	+\$0

Anigre Veneer - Low Sheen

For walnut (W)

967	smoked paldao, low sheen A	+\$0
969	warm paldao, low sheen A	+\$0

Premium Veneer - Matte

For walnut (W)

667	smoked paldao, quarter cut, matte sheen A	+\$0
669	warm paldao, quarter cut, matte sheen A	+\$0
662	toasted walnut, matte sheen A	+\$0
663	charred walnut, matte sheen A	+\$0
664	bronzed walnut, matte sheen A	+\$0
665	smoked walnut, matte sheen A	+\$0
666	coffee walnut, matte sheen A	+\$0
68R	recograin rosewood A	+\$0
69R	recograin rosewood A	+\$0
GOU	natural walnut, flat cut, matte sheen A	+\$0

Low Sheen Finishes (on Walnut)

For walnut (W)

G2U	light brown walnut, low sheen A	+\$0
G40	dark brown walnut, low sheen A	+\$0
962	toasted walnut, low sheen A	+\$0
963	charred walnut, low sheen A	+\$0
964	bronzed walnut, low sheen A	+\$0
965	smoked walnut, low sheen A	+\$0
966	coffee walnut, low sheen A	+\$0
972	sundance walnut A	+\$0
98R	recograin rosewood A	+\$0
99R	recograin rosewood A	+\$0

Step 4. Seat/Cushion

Price Category 1	+\$73
Price Category 2	+\$89
Price Category (Geiger) 2	+\$89
Price Category 3	+\$110
Price Category (Geiger) 3	+\$110
Price Category 4	+\$134
Price Category (Geiger) 4	+\$134
Price Category 5	+\$196
Price Category (Geiger) 5	+\$196
Price Category (Geiger) 6	+\$257
Price Category (Geiger) 7	+\$318
Price Category (Geiger) 8	+\$486
Price Category 9	+\$604
Price Category (Geiger) 9	+\$604
Price Category (Geiger) 10	+\$694
Price Category 11	+\$778
Price Category (Geiger) 11	+\$778
Price Category 14	+\$1019
Price Category (Geiger) C	+\$100
Price Category D	+\$131
Price Category (Geiger) D	+\$131
Price Category E	+\$158
Price Category (Geiger) E	+\$158
Price Category F	+\$190
Price Category (Geiger) F	+\$190
Price Category G	+\$259
Price Category (Geiger) G	+\$259
Price Category (Geiger) H	+\$322
Price Category (Geiger) I	+\$389
Price Category (Geiger) J	+\$456
Price Category (Geiger) K	+\$522
Price Category (Geiger) L	+\$589
Price Category (Geiger) M	+\$655
Price Category (Geiger) N	+\$722
Price Category (Geiger) O	+\$790
Price Category (Geiger) P	+\$853
Price Category (Geiger) Q	+\$985
Price Category (Geiger) R	+\$1373
Price Category (Geiger) U	+\$1679
Price Category (Geiger) Z	+\$2189
Price Category (Geiger) COL A	+\$130
Price Category (Geiger) COM A	+\$0

Crosshatch Lounge Chair *continued*

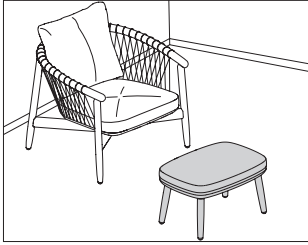
HermanMiller Ancillary-Lounge Seating

Step 5. Cord		
CBK	black cord <input type="checkbox"/> A	+\$0
CBR	dark brown cord <input type="checkbox"/> A	+\$0
CCM	cream cord <input type="checkbox"/> A	+\$0
CGY	gray cord <input type="checkbox"/> A	+\$0

Step 6. Fire Retardancy		
NOCAL	no cal-133 required <input type="checkbox"/> A	+\$0

Crosshatch Ottoman

SES3A
SES3W



Product Information

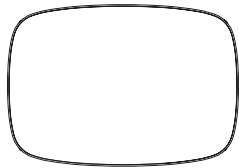
Description

This ottoman has a solid wood frame with an upholstered cushion. Frame comes in ash or walnut.

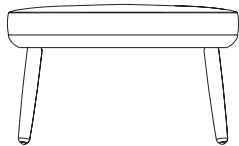
Notes

Fire retardant chair meets CAL 133 requirements.
Customer's Own Material (COM) requires 3/4 yards. Customer's Own Leather (COL) requires 13 1/2 square feet. See Order Information in appendices.

Dimensions

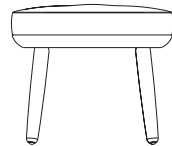


22 7/8"



13 7/8"

16"



Specification Information

Step 1.

SES3

Step 2. Wood Species

A ash

W walnut

Prices for Steps 1-2.

SES3A \$1418
SES3W \$1636

Step 3. Wood Finish

Low Sheen Finishes (on Ash)

For ash (A)

967	smoked paldao, low sheen <input type="checkbox"/>	+\$0
969	warm paldao, low sheen <input type="checkbox"/>	+\$0
932	sundance anigre <input type="checkbox"/>	+\$0
933	caramel anigre <input type="checkbox"/>	+\$0
934	henna anigre <input type="checkbox"/>	+\$0

For ash (A)

940	sundance cherry on maple A	+\$0
962	toasted walnut, low sheen A	+\$0
963	charred walnut, low sheen A	+\$0
964	bronzed walnut, low sheen A	+\$0
965	smoked walnut, low sheen A	+\$0
966	coffee walnut, low sheen A	+\$0
977	chocolate ash, low sheen A	+\$0
98R	recograin rosewood A	+\$0
99A	recograin frosty ash A	+\$0
99R	recograin rosewood A	+\$0
99T	recograin teak A	+\$0
9A1	white ash, quarter cut, low sheen A	+\$0
9K1	rift oak, rift cut, low sheen A	+\$0
9K6	burnt oak, rift cut, low sheen A	+\$0
EW	medium matte walnut A	+\$0
G2U	light brown walnut, low sheen A	+\$0
G40	dark brown walnut, low sheen A	+\$0
943	caramel cherry A	+\$0
944	henna cherry A	+\$0
945	port cherry A	+\$0
946	cocoa cherry A	+\$0
954	henna sapele A	+\$0
955	port sapele A	+\$0
956	cocoa sapele A	+\$0
957	espresso sapele A	+\$0
991	champagne ash A	+\$0
998	ebony ash A	+\$0

Matte Sheen Finishes (on Ash)

For ash (A)

66A	recograin frosty ash A	+\$0
677	chocolate ash, matte sheen A	+\$0
68R	recograin rosewood A	+\$0
69A	recograin frosty ash A	+\$0
69R	recograin rosewood A	+\$0
69T	recograin teak A	+\$0
6K1	rift oak A	+\$0
ET	clear on ash A	+\$0
EU	oak on ash A	+\$0
EV	walnut on ash A	+\$0
6A1	white ash A	+\$0
6K6	burnt oak A	+\$0
GOU	natural walnut, flat cut, matte sheen A	+\$0

For walnut (W)

967	smoked paldao, low sheen A	+\$0
969	warm paldao, low sheen A	+\$0

Low Sheen Finishes (on Walnut)

For walnut (W)

962	toasted walnut, low sheen A	+\$0
963	charred walnut, low sheen A	+\$0
964	bronzed walnut, low sheen A	+\$0
965	smoked walnut, low sheen A	+\$0
966	coffee walnut, low sheen A	+\$0
972	sundance walnut A	+\$0
98R	recograin rosewood A	+\$0
99R	recograin rosewood A	+\$0
G2U	light brown walnut, low sheen A	+\$0
G40	dark brown walnut, low sheen A	+\$0
973	caramel walnut A	+\$0
974	henna walnut A	+\$0
975	port walnut A	+\$0
976	cocoa walnut A	+\$0

For walnut (W)

662	toasted walnut, matte sheen A	+\$0
663	charred walnut, matte sheen A	+\$0
664	bronzed walnut, matte sheen A	+\$0
665	smoked walnut, matte sheen A	+\$0
666	coffee walnut, matte sheen A	+\$0
667	smoked paldao, quarter cut, matte sheen A	+\$0
669	warm paldao, quarter cut, matte sheen A	+\$0
68R	recograin rosewood A	+\$0
69R	recograin rosewood A	+\$0
GOU	natural walnut, flat cut, matte sheen A	+\$0

Step 4. Fabric

Price Category (Geiger) 1	+\$0
Price Category 1	+\$36
Price Category 2	+\$44
Price Category (Geiger) 2	+\$44
Price Category 3	+\$55
Price Category (Geiger) 3	+\$55
Price Category 4	+\$67
Price Category (Geiger) 4	+\$67
Price Category 5	+\$98
Price Category (Geiger) 5	+\$98
Price Category (Geiger) 6	+\$130
Price Category (Geiger) 7	+\$158
Price Category (Geiger) 8	+\$244

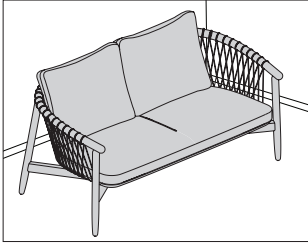
Crosshatch Ottoman *continued*

Price Category 9	+\$302
Price Category (Geiger) 9	+\$302
Price Category (Geiger) 10	+\$348
Price Category (Geiger) 11	+\$389
Price Category (Geiger) 14	+\$510
Price Category (Geiger) C	+\$50
Price Category D	+\$66
Price Category (Geiger) D	+\$66
Price Category E	+\$79
Price Category (Geiger) E	+\$79
Price Category F	+\$96
Price Category (Geiger) F	+\$96
Price Category G	+\$130
Price Category (Geiger) G	+\$130
Price Category (Geiger) H	+\$161
Price Category (Geiger) I	+\$194
Price Category (Geiger) J	+\$228
Price Category (Geiger) K	+\$262
Price Category (Geiger) L	+\$295
Price Category (Geiger) M	+\$328
Price Category (Geiger) N	+\$361
Price Category (Geiger) O	+\$395
Price Category (Geiger) P	+\$427
Price Category (Geiger) Q	+\$492
Price Category (Geiger) R	+\$686
Price Category (Geiger) U	+\$840
Price Category (Geiger) Z	+\$730
Price Category (Geiger) COL <input type="checkbox"/>	+\$65
Price Category (Geiger) COM <input type="checkbox"/>	+\$0

Step 5. Fire Retardancy	
NOCAL no cal-133 required <input type="checkbox"/>	+\$0

Crosshatch Settee

SES4A
SES4W



HermanMiller Ancillary-Lounge Seating

Product Information

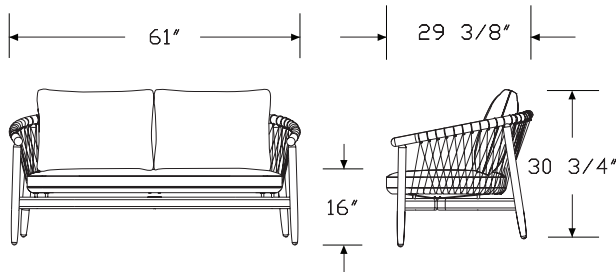
Description

This settee has a solid wood frame with cushions made of foam and DACRON®. Chair cord comes in several color options. Fire retardant chair meets CAL 133 requirements.

Notes

Cord color is specified separately from cushion color.
Customer's Own Material (COM) requires 4½ yards. Customer's Own Leather (COL) requires 81 square feet. See Order Information in Appendices.

Dimensions



Specification Information

Step 1.

SES4

Step 2. Frame Finish

A ash

W walnut

Prices for Steps 1-2.

SES4A	\$5306
SES4W	\$6112

Step 3. Wood Finish

Low Sheen Finishes (on Ash)

For ash (A)

967	smoked paldao, low sheen <input type="checkbox"/>	+\$0
969	warm paldao, low sheen <input type="checkbox"/>	+\$0

Low Sheen Finishes (on Ash)

For ash (A)

G2U	light brown walnut, low sheen <input type="checkbox"/>	+\$0
G40	dark brown walnut, low sheen <input type="checkbox"/>	+\$0
940	sundance cherry on maple <input type="checkbox"/>	+\$0
943	caramel cherry <input type="checkbox"/>	+\$0
946	cocoa cherry <input type="checkbox"/>	+\$0
956	cocoa sapele <input type="checkbox"/>	+\$0
962	toasted walnut, low sheen <input type="checkbox"/>	+\$0
963	charred walnut, low sheen <input type="checkbox"/>	+\$0
964	bronzed walnut, low sheen <input type="checkbox"/>	+\$0
965	smoked walnut, low sheen <input type="checkbox"/>	+\$0
966	coffee walnut, low sheen <input type="checkbox"/>	+\$0
977	chocolate ash, low sheen <input type="checkbox"/>	+\$0
98R	recograin rosewood <input type="checkbox"/>	+\$0
991	champagne ash <input type="checkbox"/>	+\$0
998	ebony ash <input type="checkbox"/>	+\$0
99A	recograin frosty ash <input type="checkbox"/>	+\$0
99R	recograin rosewood <input type="checkbox"/>	+\$0
99T	recograin teak <input type="checkbox"/>	+\$0
9A1	white ash, quarter cut, low sheen <input type="checkbox"/>	+\$0
9K1	rift oak, rift cut, low sheen <input type="checkbox"/>	+\$0
9K6	burnt oak, rift cut, low sheen <input type="checkbox"/>	+\$0

Matte Sheen Finishes (on Ash)

For ash (A)

66A	recograin frosty ash <input type="checkbox"/>	+\$0
677	chocolate ash, matte sheen <input type="checkbox"/>	+\$0
68R	recograin rosewood <input type="checkbox"/>	+\$0
69A	recograin frosty ash <input type="checkbox"/>	+\$0
69R	recograin rosewood <input type="checkbox"/>	+\$0
69T	recograin teak <input type="checkbox"/>	+\$0
6A1	white ash <input type="checkbox"/>	+\$0
6K1	rift oak <input type="checkbox"/>	+\$0
6K6	burnt oak <input type="checkbox"/>	+\$0
ET	clear on ash <input type="checkbox"/>	+\$0
EU	oak on ash <input type="checkbox"/>	+\$0
EV	walnut on ash <input type="checkbox"/>	+\$0
GOU	natural walnut, flat cut, matte sheen <input type="checkbox"/>	+\$0

Anigre Veneer - Low Sheen

For walnut (W)

967	smoked paldao, low sheen <input type="checkbox"/>	+\$0
969	warm paldao, low sheen <input type="checkbox"/>	+\$0

Premium Veneer - Matte

For walnut (W)

667	smoked paldao, quarter cut, matte sheen <input type="checkbox"/>	+\$0
669	warm paldao, quarter cut, matte sheen <input type="checkbox"/>	+\$0
662	toasted walnut, matte sheen <input type="checkbox"/>	+\$0
663	charred walnut, matte sheen <input type="checkbox"/>	+\$0
664	bronzed walnut, matte sheen <input type="checkbox"/>	+\$0
665	smoked walnut, matte sheen <input type="checkbox"/>	+\$0
666	coffee walnut, matte sheen <input type="checkbox"/>	+\$0
68R	recograin rosewood <input type="checkbox"/>	+\$0
69R	recograin rosewood <input type="checkbox"/>	+\$0
GOU	natural walnut, flat cut, matte sheen <input type="checkbox"/>	+\$0

Low Sheen Finishes (on Walnut)

For walnut (W)

G2U	light brown walnut, low sheen <input type="checkbox"/>	+\$0
G40	dark brown walnut, low sheen <input type="checkbox"/>	+\$0
962	toasted walnut, low sheen <input type="checkbox"/>	+\$0
963	charred walnut, low sheen <input type="checkbox"/>	+\$0
964	bronzed walnut, low sheen <input type="checkbox"/>	+\$0
965	smoked walnut, low sheen <input type="checkbox"/>	+\$0
966	coffee walnut, low sheen <input type="checkbox"/>	+\$0
972	sundance walnut <input type="checkbox"/>	+\$0
98R	recograin rosewood <input type="checkbox"/>	+\$0
99R	recograin rosewood <input type="checkbox"/>	+\$0

Step 4. Seat/Cushion

Price Category 1	+\$124
Price Category 2	+\$148
Price Category (Geiger) 2	+\$148
Price Category 3	+\$184
Price Category (Geiger) 3	+\$184
Price Category 4	+\$226
Price Category (Geiger) 4	+\$226
Price Category 5	+\$328
Price Category (Geiger) 5	+\$328
Price Category (Geiger) 6	+\$430
Price Category (Geiger) 7	+\$532
Price Category (Geiger) 8	+\$810
Price Category 9	+\$1006
Price Category (Geiger) 9	+\$1006
Price Category (Geiger) 10	+\$1158
Price Category (Geiger) 11	+\$1296
Price Category 14	+\$1698
Price Category (Geiger) C	+\$166
Price Category (Geiger) D	+\$220
Price Category (Geiger) E	+\$264
Price Category (Geiger) F	+\$318
Price Category (Geiger) G	+\$432
Price Category (Geiger) H	+\$538
Price Category (Geiger) I	+\$648
Price Category (Geiger) J	+\$760
Price Category (Geiger) K	+\$870
Price Category (Geiger) L	+\$982
Price Category (Geiger) M	+\$1092
Price Category (Geiger) N	+\$1204
Price Category (Geiger) O	+\$1314
Price Category (Geiger) P	+\$1422
Price Category (Geiger) Q	+\$1642
Price Category (Geiger) R	+\$2290
Price Category (Geiger) U	+\$2800
Price Category (Geiger) Z	+\$3648
Price Category (Geiger) COL <input type="checkbox"/>	+\$216
Price Category (Geiger) COM <input type="checkbox"/>	+\$0

Step 5. Cord

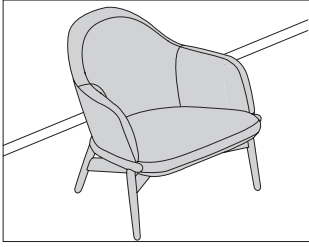
CBK	black cord <input type="checkbox"/>	+\$0
CBR	dark brown cord <input type="checkbox"/>	+\$0
CCM	cream cord <input type="checkbox"/>	+\$0
CGY	gray cord <input type="checkbox"/>	+\$0

Step 6. Fire Retardancy

NOCAL	no cal-133 required <input type="checkbox"/>	+\$0
--------------	--	------

Reframe Mid-Back Lounge Chair

SJAA
SJAW



HermanMiller Ancillary-Lounge Seating

Product Information

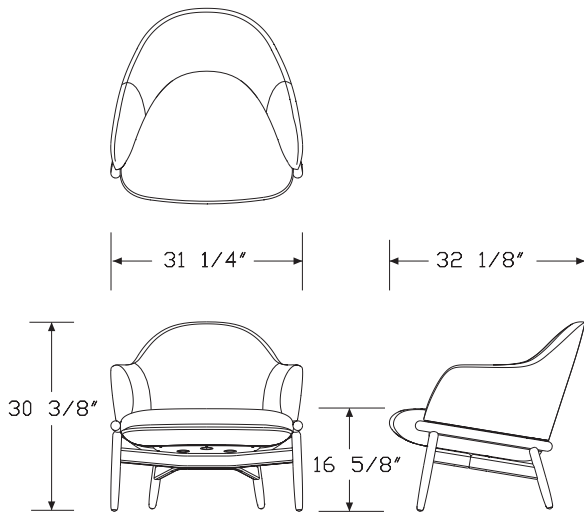
Description

This chair has a solid wood frame. Seat and back are composed of rigid and flexible polyurethane foam.

Notes

Customer's Own Material (COM) requires 3½ yards. Customer's Own Leather (COL) requires 63 square feet.

Dimensions



Specification Information

Step 1.

SJA A

Step 2. Wood Species

A ash A

W walnut A

Prices for Steps 1-2.

SJAA	\$3524
SJAW	\$4181

Step 3. Wood Finish

For ash (A)

662	toasted walnut, matte sheen A	+\$0
663	charred walnut, matte sheen A	+\$0
664	bronzed walnut, matte sheen A	+\$0
665	smoked walnut, matte sheen A	+\$0
666	coffee walnut, matte sheen A	+\$0
667	smoked paldao, matte sheen A	+\$0
669	warm paldao, matte sheen A	+\$0
66A	recograin frosty ash, matte sheen A	+\$0
677	chocolate ash, matte sheen A	+\$0
68R	recograin rosewood, matte sheen A	+\$0
69A	recograin frosty ash, matte sheen A	+\$0
69R	recograin rosewood, matte sheen A	+\$0
69T	recograin teak, matte sheen A	+\$0
6A1	white ash, matte sheen A	+\$0
6ET	clear on ash, matte sheen A	+\$0
6EU	clear on oak, matte sheen A	+\$0
6EV	walnut on ash, matte sheen A	+\$0
6K1	rift oak, matte sheen A	+\$0
6K6	burnt oak, matte sheen A	+\$0
ET	clear on ash, matte sheen A	+\$0
EU	oak on ash, matte sheen A	+\$0
EV	walnut on ash, matte sheen A	+\$0
GOU	walnut, matte sheen A	+\$0

Reframe Mid-Back Lounge Chair

continued

For ash (A)

940	sundance cherry on maple, low sheen <input type="checkbox"/>	+\$0
943	caramel cherry, low sheen <input type="checkbox"/>	+\$0
946	cocoa cherry, low sheen <input type="checkbox"/>	+\$0
956	cocoa sapele, low sheen <input type="checkbox"/>	+\$0
962	toasted walnut, low sheen <input type="checkbox"/>	+\$0
963	charred walnut, low sheen <input type="checkbox"/>	+\$0
964	bronzed walnut, low sheen <input type="checkbox"/>	+\$0
965	smoked walnut, low sheen <input type="checkbox"/>	+\$0
966	coffee walnut, low sheen <input type="checkbox"/>	+\$0
967	smoked paldao, low sheen <input type="checkbox"/>	+\$0
969	warm paldao, low sheen <input type="checkbox"/>	+\$0
96A	recograin frosty ash, low sheen <input type="checkbox"/>	+\$0
977	chocolate ash, low sheen <input type="checkbox"/>	+\$0
98R	recograin rosewood, low sheen <input type="checkbox"/>	+\$0
991	champagne ash, low sheen <input type="checkbox"/>	+\$0
998	ebony ash, low sheen <input type="checkbox"/>	+\$0
99A	recograin frosty ash, low sheen <input type="checkbox"/>	+\$0
99R	recograin rosewood, low sheen <input type="checkbox"/>	+\$0
99T	recograin teak, low sheen <input type="checkbox"/>	+\$0
9A1	white ash, quarter cut, low sheen <input type="checkbox"/>	+\$0
9K1	rift oak, low sheen <input type="checkbox"/>	+\$0
9K6	burnt oak, low sheen <input type="checkbox"/>	+\$0
ED	aged cherry, low sheen <input type="checkbox"/>	+\$0
EK	medium red walnut, low sheen <input type="checkbox"/>	+\$0
G2U	light brown walnut, low sheen <input type="checkbox"/>	+\$0
G40	dark brown walnut, low sheen <input type="checkbox"/>	+\$0
UX	walnut on cherry, low sheen <input type="checkbox"/>	+\$0

For walnut (W)

662	toasted walnut, matte sheen <input type="checkbox"/>	+\$0
663	charred walnut, matte sheen <input type="checkbox"/>	+\$0
664	bronzed walnut, matte sheen <input type="checkbox"/>	+\$0
665	smoked walnut, matte sheen <input type="checkbox"/>	+\$0
666	coffee walnut, matte sheen <input type="checkbox"/>	+\$0
667	smoked paldao, matte sheen <input type="checkbox"/>	+\$0
669	warm paldao, matte sheen <input type="checkbox"/>	+\$0
68R	recograin rosewood, matte sheen <input type="checkbox"/>	+\$0
69R	recograin rosewood, matte sheen <input type="checkbox"/>	+\$0
6EV	walnut on ash, matte sheen <input type="checkbox"/>	+\$0
EV	walnut on ash, matte sheen <input type="checkbox"/>	+\$0
GOU	walnut, matte sheen <input type="checkbox"/>	+\$0

For walnut (W)

962	toasted walnut, low sheen <input type="checkbox"/>	+\$0
963	charred walnut, low sheen <input type="checkbox"/>	+\$0
964	bronzed walnut, low sheen <input type="checkbox"/>	+\$0
965	smoked walnut, low sheen <input type="checkbox"/>	+\$0
966	coffee walnut, low sheen <input type="checkbox"/>	+\$0
967	smoked paldao, low sheen <input type="checkbox"/>	+\$0
969	warm paldao, low sheen <input type="checkbox"/>	+\$0
972	sundance walnut, low sheen <input type="checkbox"/>	+\$0
98R	recograin rosewood, low sheen <input type="checkbox"/>	+\$0
99R	recograin rosewood, low sheen <input type="checkbox"/>	+\$0
EK	medium red walnut, low sheen <input type="checkbox"/>	+\$0
G2U	light brown walnut, low sheen <input type="checkbox"/>	+\$0
G40	dark brown walnut, low sheen <input type="checkbox"/>	+\$0

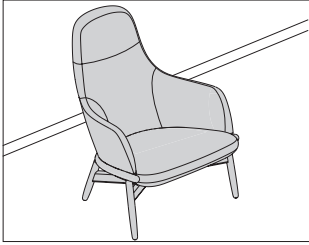
Step 4. Fabric

Price Category (Geiger) 10	+\$1621
Price Category 1	+\$0
Price Category 2	+\$204
Price Category (Geiger) 2	+\$204
Price Category (Geiger) 3	+\$257
Price Category 4	+\$312
Price Category (Geiger) 4	+\$312
Price Category 5	+\$456
Price Category (Geiger) 5	+\$456
Price Category (Geiger) 7	+\$740
Price Category 8	+\$1134
Price Category (Geiger) 8	+\$1134
Price Category 9	+\$1409
Price Category 10	+\$1621
Price Category (Geiger) 11	+\$1814
Price Category (Geiger) 14	+\$2376
Price Category (Geiger) C	+\$230
Price Category (Geiger) E	+\$368
Price Category F	+\$445
Price Category (Geiger) F	+\$445
Price Category G	+\$602
Price Category (Geiger) G	+\$602
Price Category (Geiger) H	+\$750
Price Category (Geiger) J	+\$1063
Price Category R	+\$3205
Price Category (Geiger) COL <input type="checkbox"/>	+\$302
Price Category (Geiger) COM <input type="checkbox"/>	+\$0

Step 5. Fire Retardancy

NOCAL no cal-133 required <input type="checkbox"/>	+\$0
---	------

Reframe High-Back Lounge Chair SJBA
SJBW



HermanMiller Ancillary-Lounge Seating

Product Information

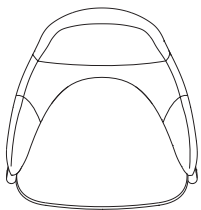
Description

This chair has a solid wood frame. Seat and back are composed of rigid and flexible polyurethane foam.

Notes

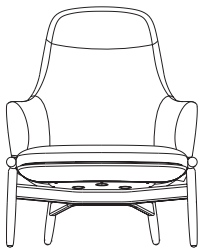
Customer's Own Material (COM) requires 3¾ yards. Customer's Own Leather (COL) requires 67½ square feet.

Dimensions

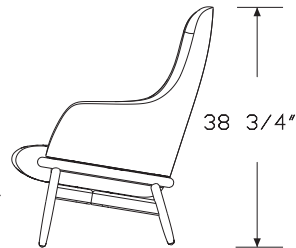


31 1/4"

33 3/8"



16 5/8"



38 3/4"

Specification Information

Step 1.

SJB A

Step 2. Wood Species

A ash A

W walnut A

Prices for Steps 1-2.

SJBA \$3723

SJBW \$4380

Step 3. Wood Finish

For ash (A)

662	toasted walnut, matte sheen <input type="checkbox"/> A	+\$0
663	charred walnut, matte sheen <input type="checkbox"/> A	+\$0
664	bronzed walnut, matte sheen <input type="checkbox"/> A	+\$0
665	smoked walnut, matte sheen <input type="checkbox"/> A	+\$0
666	coffee walnut, matte sheen <input type="checkbox"/> A	+\$0
667	smoked paldao, matte sheen <input type="checkbox"/> A	+\$0
669	warm paldao, matte sheen <input type="checkbox"/> A	+\$0
66A	recograin frosty ash, matte sheen <input type="checkbox"/> A	+\$0
677	chocolate ash, matte sheen <input type="checkbox"/> A	+\$0
68R	recograin rosewood, matte sheen <input type="checkbox"/> A	+\$0
69A	recograin frosty ash, matte sheen <input type="checkbox"/> A	+\$0
69R	recograin rosewood, matte sheen <input type="checkbox"/> A	+\$0
69T	recograin teak, matte sheen <input type="checkbox"/> A	+\$0
6A1	white ash, matte sheen <input type="checkbox"/> A	+\$0
6ET	clear on ash, matte sheen <input type="checkbox"/> A	+\$0
6EU	clear on oak, matte sheen <input type="checkbox"/> A	+\$0
6EV	walnut on ash, matte sheen <input type="checkbox"/> A	+\$0
6K1	rift oak, matte sheen <input type="checkbox"/> A	+\$0
6K6	burnt oak, matte sheen <input type="checkbox"/> A	+\$0
ET	clear on ash, matte sheen <input type="checkbox"/> A	+\$0
EU	oak on ash, matte sheen <input type="checkbox"/> A	+\$0
EV	walnut on ash, matte sheen <input type="checkbox"/> A	+\$0
GOU	walnut, matte sheen <input type="checkbox"/> A	+\$0

Reframe High-Back Lounge Chair

continued

For ash (A)

940	sundance cherry on maple, low sheen <input type="checkbox"/>	+\$0
943	caramel cherry, low sheen <input type="checkbox"/>	+\$0
946	cocoa cherry, low sheen <input type="checkbox"/>	+\$0
956	cocoa sapele, low sheen <input type="checkbox"/>	+\$0
962	toasted walnut, low sheen <input type="checkbox"/>	+\$0
963	charred walnut, low sheen <input type="checkbox"/>	+\$0
964	bronzed walnut, low sheen <input type="checkbox"/>	+\$0
965	smoked walnut, low sheen <input type="checkbox"/>	+\$0
966	coffee walnut, low sheen <input type="checkbox"/>	+\$0
967	smoked paldao, low sheen <input type="checkbox"/>	+\$0
969	warm paldao, low sheen <input type="checkbox"/>	+\$0
96A	recograin frosty ash, low sheen <input type="checkbox"/>	+\$0
977	chocolate ash, low sheen <input type="checkbox"/>	+\$0
98R	recograin rosewood, low sheen <input type="checkbox"/>	+\$0
991	champagne ash, low sheen <input type="checkbox"/>	+\$0
998	ebony ash, low sheen <input type="checkbox"/>	+\$0
99A	recograin frosty ash, low sheen <input type="checkbox"/>	+\$0
99R	recograin rosewood, low sheen <input type="checkbox"/>	+\$0
99T	recograin teak, low sheen <input type="checkbox"/>	+\$0
9A1	white ash, quarter cut, low sheen <input type="checkbox"/>	+\$0
9K1	rift oak, low sheen <input type="checkbox"/>	+\$0
9K6	burnt oak, low sheen <input type="checkbox"/>	+\$0
ED	aged cherry, low sheen <input type="checkbox"/>	+\$0
EK	medium red walnut, low sheen <input type="checkbox"/>	+\$0
G2U	light brown walnut, low sheen <input type="checkbox"/>	+\$0
G40	dark brown walnut, low sheen <input type="checkbox"/>	+\$0
UX	walnut on cherry, low sheen <input type="checkbox"/>	+\$0

For walnut (W)

662	toasted walnut, matte sheen <input type="checkbox"/>	+\$0
663	charred walnut, matte sheen <input type="checkbox"/>	+\$0
664	bronzed walnut, matte sheen <input type="checkbox"/>	+\$0
665	smoked walnut, matte sheen <input type="checkbox"/>	+\$0
666	coffee walnut, matte sheen <input type="checkbox"/>	+\$0
667	smoked paldao, matte sheen <input type="checkbox"/>	+\$0
669	warm paldao, matte sheen <input type="checkbox"/>	+\$0
68R	recograin rosewood, matte sheen <input type="checkbox"/>	+\$0
69R	recograin rosewood, matte sheen <input type="checkbox"/>	+\$0
6EV	walnut on ash, matte sheen <input type="checkbox"/>	+\$0
EV	walnut on ash, matte sheen <input type="checkbox"/>	+\$0
GOU	walnut, matte sheen <input type="checkbox"/>	+\$0

For walnut (W)

962	toasted walnut, low sheen <input type="checkbox"/>	+\$0
963	charred walnut, low sheen <input type="checkbox"/>	+\$0
964	bronzed walnut, low sheen <input type="checkbox"/>	+\$0
965	smoked walnut, low sheen <input type="checkbox"/>	+\$0
966	coffee walnut, low sheen <input type="checkbox"/>	+\$0
967	smoked paldao, low sheen <input type="checkbox"/>	+\$0
969	warm paldao, low sheen <input type="checkbox"/>	+\$0
972	sundance walnut, low sheen <input type="checkbox"/>	+\$0
98R	recograin rosewood, low sheen <input type="checkbox"/>	+\$0
99R	recograin rosewood, low sheen <input type="checkbox"/>	+\$0
EK	medium red walnut, low sheen <input type="checkbox"/>	+\$0
G2U	light brown walnut, low sheen <input type="checkbox"/>	+\$0
G40	dark brown walnut, low sheen <input type="checkbox"/>	+\$0

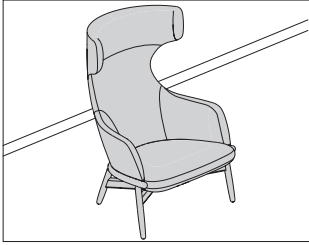
Step 4. Fabric

Price Category (Geiger) 10	+\$1738
Price Category 1	+\$0
Price Category 2	+\$220
Price Category (Geiger) 2	+\$220
Price Category (Geiger) 3	+\$275
Price Category 4	+\$335
Price Category (Geiger) 4	+\$335
Price Category 5	+\$487
Price Category (Geiger) 5	+\$487
Price Category (Geiger) 7	+\$794
Price Category (Geiger) 8	+\$1216
Price Category 9	+\$1507
Price Category 10	+\$1738
Price Category (Geiger) 11	+\$1944
Price Category (Geiger) 14	+\$2545
Price Category (Geiger) C	+\$246
Price Category F	+\$478
Price Category G	+\$646
Price Category (Geiger) G	+\$646
Price Category (Geiger) H	+\$803
Price Category (Geiger) J	+\$1139
Price Category R	+\$3434
Price Category (Geiger) COL <input type="checkbox"/>	+\$324
Price Category (Geiger) COM <input type="checkbox"/>	+\$0

Step 5. Fire Retardancy

NOCAL no cal-133 required <input type="checkbox"/>	+\$0
---	------

Reframe Wing-Back Lounge Chair SJCA
SJCW



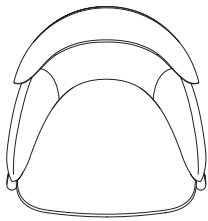
HermanMiller Ancillary-Lounge Seating

Product Information

Description
This chair has a solid wood frame. Seat and back are composed of rigid and flexible polyurethane foam.

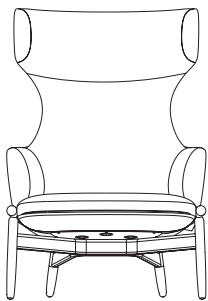
Notes
Customer's Own Material (COM) requires 4¹/₄ yards. Customer's Own Leather (COL) requires 81 square feet.

Dimensions



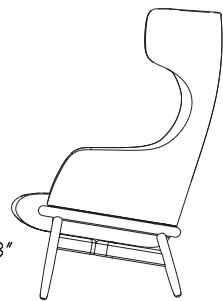
← 31 1/4" →

← 33 1/2" →



↑ 45 1/4"

↑ 16 5/8"



Specification Information

Step 1.

SJC A

Step 2. Wood Species

A ash A

W walnut A

Prices for Steps 1-2.

SJCA \$3988

SJCW \$4647

Step 3. Wood Finish

For ash (A)

662	toasted walnut, matte sheen A	+\$0
663	charred walnut, matte sheen A	+\$0
664	bronzed walnut, matte sheen A	+\$0
665	smoked walnut, matte sheen A	+\$0
666	coffee walnut, matte sheen A	+\$0
667	smoked paldao, matte sheen A	+\$0
669	warm paldao, matte sheen A	+\$0
66A	recograin frosty ash, matte sheen A	+\$0
677	chocolate ash, matte sheen A	+\$0
68R	recograin rosewood, matte sheen A	+\$0
69A	recograin frosty ash, matte sheen A	+\$0
69R	recograin rosewood, matte sheen A	+\$0
69T	recograin teak, matte sheen A	+\$0
6A1	white ash, matte sheen A	+\$0
6ET	clear on ash, matte sheen A	+\$0
6EU	clear on oak, matte sheen A	+\$0
6EV	walnut on ash, matte sheen A	+\$0
6K1	rift oak, matte sheen A	+\$0
6K6	burnt oak, matte sheen A	+\$0
ET	clear on ash, matte sheen A	+\$0
EU	oak on ash, matte sheen A	+\$0
EV	walnut on ash, matte sheen A	+\$0
GOU	walnut, matte sheen A	+\$0

Reframe Wing-Back Lounge Chair

continued

For ash (A)

940	sundance cherry on maple, low sheen <input type="checkbox"/>	+\$0
943	caramel cherry, low sheen <input type="checkbox"/>	+\$0
946	cocoa cherry, low sheen <input type="checkbox"/>	+\$0
956	cocoa sapele, low sheen <input type="checkbox"/>	+\$0
962	toasted walnut, low sheen <input type="checkbox"/>	+\$0
963	charred walnut, low sheen <input type="checkbox"/>	+\$0
964	bronzed walnut, low sheen <input type="checkbox"/>	+\$0
965	smoked walnut, low sheen <input type="checkbox"/>	+\$0
966	coffee walnut, low sheen <input type="checkbox"/>	+\$0
967	smoked paldao, low sheen <input type="checkbox"/>	+\$0
969	warm paldao, low sheen <input type="checkbox"/>	+\$0
96A	recograin frosty ash, low sheen <input type="checkbox"/>	+\$0
977	chocolate ash, low sheen <input type="checkbox"/>	+\$0
98R	recograin rosewood, low sheen <input type="checkbox"/>	+\$0
991	champagne ash, low sheen <input type="checkbox"/>	+\$0
998	ebony ash, low sheen <input type="checkbox"/>	+\$0
99A	recograin frosty ash, low sheen <input type="checkbox"/>	+\$0
99R	recograin rosewood, low sheen <input type="checkbox"/>	+\$0
99T	recograin teak, low sheen <input type="checkbox"/>	+\$0
9A1	white ash, quarter cut, low sheen <input type="checkbox"/>	+\$0
9K1	rift oak, low sheen <input type="checkbox"/>	+\$0
9K6	burnt oak, low sheen <input type="checkbox"/>	+\$0
ED	aged cherry, low sheen <input type="checkbox"/>	+\$0
EK	medium red walnut, low sheen <input type="checkbox"/>	+\$0
G2U	light brown walnut, low sheen <input type="checkbox"/>	+\$0
G40	dark brown walnut, low sheen <input type="checkbox"/>	+\$0
UX	walnut on cherry, low sheen <input type="checkbox"/>	+\$0

For walnut (W)

662	toasted walnut, matte sheen <input type="checkbox"/>	+\$0
663	charred walnut, matte sheen <input type="checkbox"/>	+\$0
664	bronzed walnut, matte sheen <input type="checkbox"/>	+\$0
665	smoked walnut, matte sheen <input type="checkbox"/>	+\$0
666	coffee walnut, matte sheen <input type="checkbox"/>	+\$0
667	smoked paldao, matte sheen <input type="checkbox"/>	+\$0
669	warm paldao, matte sheen <input type="checkbox"/>	+\$0
68R	recograin rosewood, matte sheen <input type="checkbox"/>	+\$0
69R	recograin rosewood, matte sheen <input type="checkbox"/>	+\$0
6EV	walnut on ash, matte sheen <input type="checkbox"/>	+\$0
EV	walnut on ash, matte sheen <input type="checkbox"/>	+\$0
GOU	walnut, matte sheen <input type="checkbox"/>	+\$0

For walnut (W)

962	toasted walnut, low sheen <input type="checkbox"/>	+\$0
963	charred walnut, low sheen <input type="checkbox"/>	+\$0
964	bronzed walnut, low sheen <input type="checkbox"/>	+\$0
965	smoked walnut, low sheen <input type="checkbox"/>	+\$0
966	coffee walnut, low sheen <input type="checkbox"/>	+\$0
967	smoked paldao, low sheen <input type="checkbox"/>	+\$0
969	warm paldao, low sheen <input type="checkbox"/>	+\$0
972	sundance walnut, low sheen <input type="checkbox"/>	+\$0
98R	recograin rosewood, low sheen <input type="checkbox"/>	+\$0
99R	recograin rosewood, low sheen <input type="checkbox"/>	+\$0
EK	medium red walnut, low sheen <input type="checkbox"/>	+\$0
G2U	light brown walnut, low sheen <input type="checkbox"/>	+\$0
G40	dark brown walnut, low sheen <input type="checkbox"/>	+\$0

Step 4. Fabric

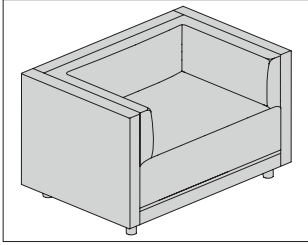
Price Category (Geiger) 4	+\$384
Price Category (Geiger) 10	+\$1969
Price Category 1	+\$0
Price Category 4	+\$384
Price Category (Geiger) 5	+\$553
Price Category 5	+\$553
Price Category (Geiger) 7	+\$899
Price Category (Geiger) 8	+\$1378
Price Category 9	+\$1709
Price Category 10	+\$1969
Price Category (Geiger) G	+\$731
Price Category (Geiger) H	+\$911
Price Category (Geiger) J	+\$1367
Price Category (Geiger) COM <input type="checkbox"/>	+\$0
Price Category (Geiger) COL <input type="checkbox"/>	+\$367

Step 5. Fire Retardancy

NOCAL no cal-133 required <input type="checkbox"/>	+\$0
---	------

Rolled Arm Club Chair

SBRA-



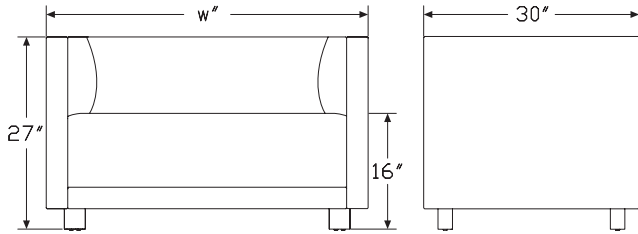
HermanMiller Ancillary-Lounge Seating

Product Information

Description
 This 43" wide chair is made of plywood with Dacron® on the seat and back. The arms consist of Dacron and polyfoam. The legs are solid ash or walnut.

Notes
 Customers Own Material (COM) requires 6 yards. Customers Own Leather (COL) requires 108 square feet. See Order Information in Appendices.

Dimensions



Specification Information

Step 1.
SBRA-43 [A] \$4664

Step 2. Wood Finish

Premium Veneer - Low Sheen

940	sundance cherry on maple [A]	+\$0
943	caramel cherry [A]	+\$0
946	cocoa cherry [A]	+\$0
962	toasted walnut, low sheen [A]	+\$0
963	charred walnut, low sheen [A]	+\$0
964	bronzed walnut, low sheen [A]	+\$0
965	smoked walnut, low sheen [A]	+\$0
966	coffee walnut, low sheen [A]	+\$0
977	chocolate ash, low sheen [A]	+\$0
98R	recograin rosewood [A]	+\$0
991	champagne ash [A]	+\$0
998	ebony ash [A]	+\$0
99A	recograin frosty ash [A]	+\$0
99R	recograin rosewood [A]	+\$0
99T	recograin teak [A]	+\$0
9A1	white ash, quarter cut, low sheen [A]	+\$0
9K1	rift oak, rift cut, low sheen [A]	+\$0
9K6	burnt oak, rift cut, low sheen [A]	+\$0

Premium Veneer - Matte

662	toasted walnut, matte sheen [A]	+\$0
663	charred walnut, matte sheen [A]	+\$0
664	bronzed walnut, matte sheen [A]	+\$0
665	smoked walnut, matte sheen [A]	+\$0
666	coffee walnut, matte sheen [A]	+\$0
667	smoked paldao, quarter cut, matte sheen [A]	+\$0
669	warm paldao, quarter cut, matte sheen [A]	+\$0
66A	recograin frosty ash [A]	+\$0
677	chocolate ash, matte sheen [A]	+\$0
68R	recograin rosewood [A]	+\$0
69A	recograin frosty ash [A]	+\$0
69R	recograin rosewood [A]	+\$0
69T	recograin teak [A]	+\$0
6A1	white ash [A]	+\$0
6K1	rift oak [A]	+\$0
6K6	burnt oak [A]	+\$0
ET	clear on ash [A]	+\$0
EU	oak on ash [A]	+\$0
EV	walnut on ash [A]	+\$0
GOU	natural walnut, flat cut, matte sheen [A]	+\$0

Rolled Arm Club Chair *continued*

RecoGrain Veneer		
68W	recoGrain walnut, flat cut, matte sheen <input type="checkbox"/> A	+\$0
69W	recoGrain walnut, quarter cut, matte sheen <input type="checkbox"/> A	+\$0

Recon Veneer -		
98W	recoGrain walnut, flat cut, low sheen <input type="checkbox"/> A	+\$0
99W	recoGrain walnut, quarter cut, low sheen <input type="checkbox"/> A	+\$0

Step 3. Upholstery	
Price Category (Geiger) 1	+\$0
Price Category 1	+\$0
Price Category (Geiger) 2	+\$349
Price Category 2	+\$349
Price Category (Geiger) 3	+\$438
Price Category 3	+\$438
Price Category (Geiger) 4	+\$534
Price Category 4	+\$713
Price Category (Geiger) 5	+\$779
Price Category 5	+\$779
Price Category (Geiger) 6	+\$1024
Price Category (Geiger) 7	+\$1268
Price Category (Geiger) 8	+\$1944
Price Category (Geiger) 9	+\$2411
Price Category 9	+\$2411
Price Category (Geiger) 10	+\$2774
Price Category (Geiger) 11	+\$3108
Price Category (Geiger) 14	+\$4072
Price Category (Geiger) C	+\$394
Price Category (Geiger) D	+\$520
Price Category D	+\$520
Price Category (Geiger) E	+\$631
Price Category (Geiger) F	+\$757
Price Category F	+\$757
Price Category (Geiger) G	+\$1032
Price Category G	+\$1032
Price Category (Geiger) H	+\$1284
Price Category (Geiger) I	+\$1550
Price Category (Geiger) J	+\$1818
Price Category (Geiger) K	+\$2084
Price Category (Geiger) L	+\$2352
Price Category (Geiger) N	+\$2886
Price Category (Geiger) P	+\$3412
Price Category (Geiger) Q	+\$3938
Price Category (Geiger) R	+\$5489
Price Category (Geiger) U	+\$6712
Price Category (Geiger) X	+\$7936
Price Category (Geiger) COM <input type="checkbox"/> A	+\$0

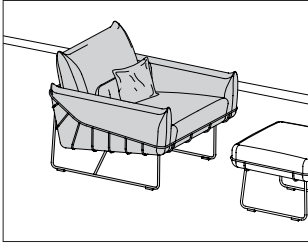
Price Category (Geiger) COL A +\$518

Step 4. Fire Retardancy	
NOCAL	no cal-133 required <input type="checkbox"/> A +\$0

HermanMiller Ancillary-Lounge Seating

Wireframe™ Chair

BK110



HermanMiller Ancillary-Lounge Seating

Product Information

Description

This chair has contoured cushions on a separate wire frame structure, featuring SuperSeat™ technology. Lumbar and throw pillows included.

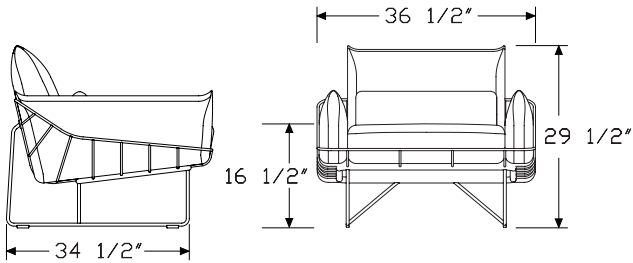
Notes

Fire retardant chair meets CAL 133 requirements.

COM/COL requires 7 yards/126 square feet per chair.

Lumbar and throw pillows are shipped in same material specified for chair cushions.

Dimensions



Specification Information

Step 1.

BK11000 [A] \$5660

Step 2. Frame Finish

91 white [A] +\$0
BK black [A] +\$0

Step 3. Fabric

Price Category 1 +\$0
 Price Category 2 +\$155
 Price Category (Geiger) 2 +\$155
 Price Category 3 +\$223
 Price Category (Geiger) 3 +\$223
 Price Category 4 +\$371
 Price Category (Geiger) 4 +\$371
 Price Category 5 +\$557
 Price Category (Geiger) 5 +\$557
 Price Category 6 +\$742
 Price Category (Geiger) 6 +\$742
 Price Category 7 +\$989
 Price Category (Geiger) 7 +\$989
 Price Category 8 +\$1978
 Price Category (Geiger) 8 +\$1978
 Price Category 9 +\$1607
 Price Category (Geiger) 9 +\$1607
 Price Category 10 +\$1854
 Price Category (Geiger) 10 +\$1854
 Price Category 11 +\$2101
 Price Category (Geiger) 11 +\$2101
 Price Category 14 +\$2966
 Price Category B +\$236
 Price Category C +\$390
 Price Category D +\$494
 Price Category E +\$596
 Price Category F +\$772
 Price Category G +\$1002
 Price Category H +\$1680
 Price Category I +\$1920
 Price Category J +\$1218
 Price Category K +\$1432
 Price Category L +\$1645
 Price Category M +\$1860
 Price Category N +\$2074
 Price Category O +\$2287
 Price Category P +\$2501
 Price Category Q +\$2714

Wireframe™ Chair *continued*

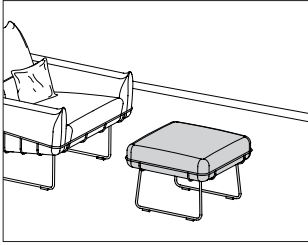
Price Category R	+\$4912
Price Category S	+\$3152
Price Category T	+\$3388
Price Category U	+\$3623
Price Category X	+\$6683
Price Category Y	+\$7037
Price Category Z	+\$7296

Step 4. Fire Retardancy

NOCAL not fire retardant <input type="checkbox"/>	+\$0
133 fire retardant <input type="checkbox"/>	+\$244

Wireframe™ Ottoman

BK104



HermanMiller Ancillary-Lounge Seating

Product Information

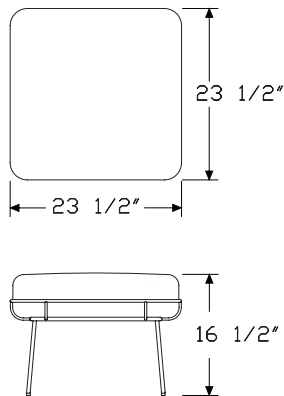
Description

This ottoman has contoured cushions on a separate wire frame structure, featuring SuperSeat™ technology.

Notes

Fire retardant ottoman meets CAL 133 requirements.
 COM/COL requires 2½ yards/36 square feet per ottoman.

Dimensions



Specification Information

Step 1.

BK10400 [A] \$2690

Step 2. Frame Finish

91 white [A] +\$0
BK black [A] +\$0

Step 3. Fabric

Price Category 1 +\$0
 Price Category 2 +\$74
 Price Category (Geiger) 2 +\$74
 Price Category 3 +\$100
 Price Category (Geiger) 3 +\$100
 Price Category 4 +\$137
 Price Category (Geiger) 4 +\$137
 Price Category 5 +\$186
 Price Category (Geiger) 5 +\$186
 Price Category 6 +\$235
 Price Category (Geiger) 6 +\$235
 Price Category 7 +\$310
 Price Category (Geiger) 7 +\$310
 Price Category 8 +\$396
 Price Category (Geiger) 8 +\$396
 Price Category 9 +\$476
 Price Category (Geiger) 9 +\$476
 Price Category 10 +\$557
 Price Category (Geiger) 10 +\$557
 Price Category 11 +\$643
 Price Category (Geiger) 11 +\$643
 Price Category 14 +\$890
 Price Category B +\$77
 Price Category C +\$128
 Price Category D +\$176
 Price Category E +\$214
 Price Category F +\$276
 Price Category G +\$358
 Price Category H +\$436
 Price Category I +\$511
 Price Category J +\$588
 Price Category K +\$664
 Price Category L +\$740
 Price Category M +\$817
 Price Category N +\$893
 Price Category O +\$970
 Price Category P +\$1045
 Price Category Q +\$1126

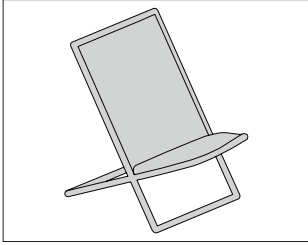
Price Category R	+\$1601
Price Category S	+\$1294
Price Category T	+\$1378
Price Category U	+\$1462
Price Category X	+\$2178
Price Category Y	+\$2293
Price Category Z	+\$2189

Step 4. Fire Retardancy

NOCAL not fire retardant <input type="checkbox"/>	+\$0
133 fire retardant <input type="checkbox"/>	+\$98

Scissor Chair

SBSC-
SBSD-



HermanMiller Ancillary-Lounge Seating

Product Information

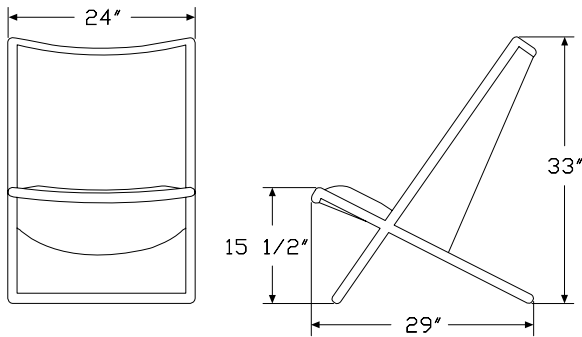
Description

The frame of this chair is solid ash. The seat has foam and Dacron® over plywood.

Notes

Customers Own Material (COM) requires 3½ yards. Customers Own Leather (COL) requires 58 square feet. See Order Information in Appendices.

Dimensions



Specification Information

Step 1.

SBS

Step 2. Frame

C-1098 solid ash

D-1099 welded tubular steel

Prices for Steps 1-2.

SBSC-1098	\$4006
SBSD-1099	\$3970

Step 3. Wood Finish

For solid ash (C-1098)

Premium Veneer - Low Sheen

932	sundance anigre <input type="checkbox"/>	+\$0
933	caramel anigre <input type="checkbox"/>	+\$0
934	henna anigre <input type="checkbox"/>	+\$0
940	sundance cherry on maple <input type="checkbox"/>	+\$0
943	caramel cherry <input type="checkbox"/>	+\$0
946	cocoa cherry <input type="checkbox"/>	+\$0
956	cocoa sapele <input type="checkbox"/>	+\$0
962	toasted walnut, low sheen <input type="checkbox"/>	+\$0
963	charred walnut, low sheen <input type="checkbox"/>	+\$0
964	bronzed walnut, low sheen <input type="checkbox"/>	+\$0
965	smoked walnut, low sheen <input type="checkbox"/>	+\$0
966	coffee walnut, low sheen <input type="checkbox"/>	+\$0
967	smoked paldao, low sheen <input type="checkbox"/>	+\$0
969	warm paldao, low sheen <input type="checkbox"/>	+\$0
972	sundance walnut <input type="checkbox"/>	+\$0
977	chocolate ash, low sheen <input type="checkbox"/>	+\$0
98R	recograin rosewood <input type="checkbox"/>	+\$0
991	champagne ash <input type="checkbox"/>	+\$0
998	ebony ash <input type="checkbox"/>	+\$0
99A	recograin frosty ash <input type="checkbox"/>	+\$0
99R	recograin rosewood <input type="checkbox"/>	+\$0
99T	recograin teak <input type="checkbox"/>	+\$0
9A1	white ash, quarter cut, low sheen <input type="checkbox"/>	+\$0
9K1	rift oak, rift cut, low sheen <input type="checkbox"/>	+\$0
9K6	burnt oak, rift cut, low sheen <input type="checkbox"/>	+\$0
G2U	light brown walnut, low sheen <input type="checkbox"/>	+\$0
G40	dark brown walnut, low sheen <input type="checkbox"/>	+\$0

Scissor Chair *continued*

Premium Veneer - Matte

662	toasted walnut, matte sheen <input type="checkbox"/>	+\$0
663	charred walnut, matte sheen <input type="checkbox"/>	+\$0
664	bronzed walnut, matte sheen <input type="checkbox"/>	+\$0
665	smoked walnut, matte sheen <input type="checkbox"/>	+\$0
666	coffee walnut, matte sheen <input type="checkbox"/>	+\$0
667	smoked paldao, quarter cut, matte sheen <input type="checkbox"/>	+\$0
669	warm paldao, quarter cut, matte sheen <input type="checkbox"/>	+\$0
66A	recograin frosty ash <input type="checkbox"/>	+\$0
677	chocolate ash, matte sheen <input type="checkbox"/>	+\$0
68R	recograin rosewood <input type="checkbox"/>	+\$0
69A	recograin frosty ash <input type="checkbox"/>	+\$0
69R	recograin rosewood <input type="checkbox"/>	+\$0
69T	recograin teak <input type="checkbox"/>	+\$0
6A1	white ash <input type="checkbox"/>	+\$0
6K1	rift oak <input type="checkbox"/>	+\$0
6K6	burnt oak <input type="checkbox"/>	+\$0
ET	clear on ash <input type="checkbox"/>	+\$0
EU	oak on ash <input type="checkbox"/>	+\$0
EV	walnut on ash <input type="checkbox"/>	+\$0
GOU	natural walnut, flat cut, matte sheen <input type="checkbox"/>	+\$0

RecoGrain Veneer

68W	recograin walnut, flat cut, matte sheen <input type="checkbox"/>	+\$0
69W	recograin walnut, quarter cut, matte sheen <input type="checkbox"/>	+\$0

Recon Veneer -

98W	recograin walnut, flat cut, low sheen <input type="checkbox"/>	+\$0
99W	recograin walnut, quarter cut, low sheen <input type="checkbox"/>	+\$0

Step 4. Upholstery

Price Category 1	+\$0
Price Category (Geiger) 1	+\$170
Price Category 2	+\$204
Price Category (Geiger) 2	+\$204
Price Category 3	+\$257
Price Category (Geiger) 3	+\$257
Price Category 4	+\$312
Price Category (Geiger) 4	+\$312
Price Category 5	+\$456
Price Category (Geiger) 5	+\$456
Price Category (Geiger) 6	+\$598
Price Category (Geiger) 7	+\$740
Price Category (Geiger) 8	+\$1134
Price Category 9	+\$1408
Price Category (Geiger) 9	+\$1408
Price Category (Geiger) 10	+\$1619

Price Category (Geiger) 11	+\$1814
Price Category (Geiger) 14	+\$2376
Price Category (Geiger) A	+\$239
Price Category (Geiger) C	+\$282
Price Category D	+\$325
Price Category (Geiger) D	+\$325
Price Category E	+\$368
Price Category (Geiger) E	+\$368
Price Category F	+\$412
Price Category (Geiger) F	+\$412
Price Category G	+\$442
Price Category (Geiger) G	+\$456
Price Category (Geiger) H	+\$499
Price Category (Geiger) I	+\$905
Price Category (Geiger) J	+\$563
Price Category (Geiger) K	+\$629
Price Category (Geiger) L	+\$692
Price Category (Geiger) M	+\$779
Price Category (Geiger) N	+\$865
Price Category (Geiger) O	+\$1840
Price Category (Geiger) P	+\$953
Price Category (Geiger) Q	+\$1808
Price Category (Geiger) R	+\$3202
Price Category (Geiger) S	+\$3440
Price Category (Geiger) U	+\$3917
Price Category (Geiger) V	+\$4153
Price Category (Geiger) X	+\$4630
Price Category (Geiger) Y	+\$4868
Price Category (Geiger) Z	+\$4013
Price Category (Geiger) COL <input type="checkbox"/>	+\$302
Price Category (Geiger) COM <input type="checkbox"/>	+\$0

Step 5. Base Finish

For welded tubular steel (D-1099)

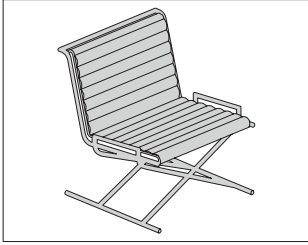
CHR	chrome <input type="checkbox"/>	+\$0
SAC	satin chrome <input type="checkbox"/>	+\$0

Step 6. Fire Retardancy

NOCAL	not fire retardant <input type="checkbox"/>	+\$0
133	fire retardant <input type="checkbox"/>	+\$228

Sled Chair

SBSU-



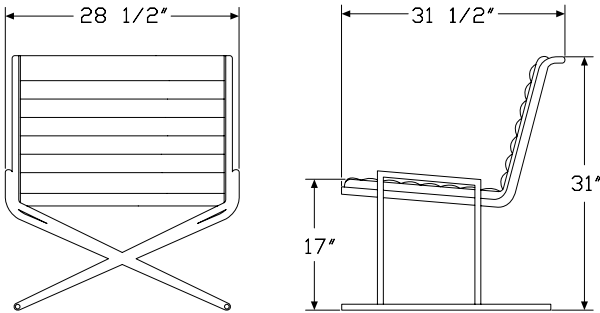
HermanMiller Ancillary-Lounge Seating

Product Information

Description
 This chair has a welded tubular steel frame. The seat consists of foam and Dacron® over plywood.

Notes
 Customers Own Material (COM) requires 3 yards. Customers Own Leather (COL) requires 54 square feet. See Order Information in Appendices.

Dimensions



Specification Information

Step 1.

SBS A

Step 2. Material

U-1060 upholstery A

Prices for Steps 1-2.

SBSU-1060 \$6144

Step 3. Upholstery

Price Category 1	+\$0
Price Category (Geiger) 1	+\$145
Price Category 2	+\$175
Price Category (Geiger) 2	+\$175
Price Category (Geiger) 2	+\$175
Price Category 3	+\$257
Price Category (Geiger) 3	+\$220
Price Category 4	+\$268
Price Category (Geiger) 4	+\$268
Price Category 5	+\$390
Price Category (Geiger) 5	+\$390
Price Category (Geiger) 6	+\$512
Price Category (Geiger) 7	+\$635
Price Category (Geiger) 8	+\$972
Price Category 9	+\$1206
Price Category (Geiger) 9	+\$1206
Price Category (Geiger) 10	+\$1387
Price Category (Geiger) 11	+\$1554
Price Category (Geiger) 14	+\$2036
Price Category (Geiger) A	+\$204
Price Category (Geiger) C	+\$241
Price Category D	+\$278
Price Category (Geiger) D	+\$278
Price Category (Geiger) E	+\$316
Price Category F	+\$353
Price Category (Geiger) F	+\$353
Price Category G	+\$378
Price Category (Geiger) G	+\$390
Price Category (Geiger) H	+\$427
Price Category (Geiger) I	+\$775
Price Category (Geiger) J	+\$482
Price Category (Geiger) K	+\$539
Price Category (Geiger) L	+\$594
Price Category (Geiger) M	+\$668
Price Category (Geiger) N	+\$742
Price Category (Geiger) O	+\$1577

Sled Chair *continued*

Price Category (Geiger) P		+\$816
Price Category (Geiger) Q		+\$1669
Price Category (Geiger) R		+\$2744
Price Category (Geiger) S		+\$2948
Price Category (Geiger) V		+\$3560
Price Category (Geiger) X		+\$3968
Price Category (Geiger) Z		+\$3648
Price Category (Geiger) COL	<input type="checkbox"/> A	+\$259
Price Category (Geiger) COM	<input type="checkbox"/> A	+\$0

Step 4. Base Finish

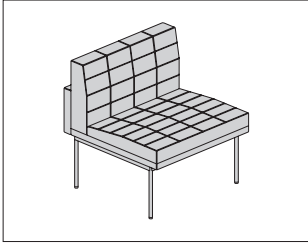
CHR	chrome	<input type="checkbox"/> A	+\$0
SAC	satin chrome	<input type="checkbox"/> A	+\$0

Step 5. Fire Retardancy

NOCAL	not fire retardant	<input type="checkbox"/> A	+\$0
133	fire retardant	<input type="checkbox"/> A	+\$195

Tuxedo Component Lounge™ Club Chair

ST1AN
ST1AQ
ST1NN
ST1NQ



Product Information

Description

This club chair has a foam and Dacron® seat with a painted or plated steel base.

Notes

Customer's Own Material (COM)/Customer's Own Leather (COL) requires the following:

Type—COM—COL

ST1NN—3¾ yards—67½ square feet

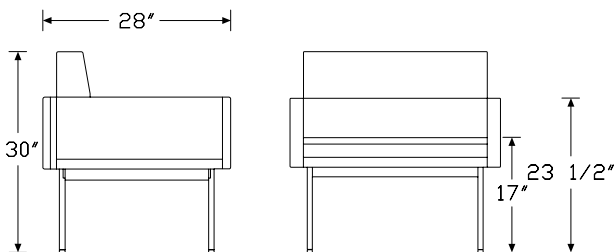
ST1NQ—3¾ yards—67½ square feet

ST1AN—5½ yards—99 square feet

ST1AQ—5½ yards—99 square feet

See Order Information in Appendices for more information.

Dimensions



Specification Information

Step 1.

ST1 **A**

Step 2. Arms

N no arms **A**

A arms **A**

Step 3. Upholstery Type

N not quilted **A**

Q quilted **A**

Prices for Steps 1-3.

ST1NN	\$3353
ST1NQ	\$3601
ST1AN	\$4245
ST1AQ	\$4409

Step 4. Upholstery

For no arms (N) with not quilted (N)

Price Category 1	+\$0
Price Category (Geiger) 1	+\$181
Price Category 2	+\$218
Price Category (Geiger) 2	+\$218
Price Category 3	+\$274
Price Category (Geiger) 3	+\$274
Price Category 4	+\$335
Price Category (Geiger) 4	+\$335
Price Category 5	+\$487
Price Category (Geiger) 5	+\$487
Price Category (Geiger) 6	+\$641
Price Category (Geiger) 7	+\$793
Price Category (Geiger) 8	+\$1216
Price Category 9	+\$2210
Price Category (Geiger) 9	+\$1507
Price Category (Geiger) 10	+\$1735
Price Category (Geiger) 11	+\$1943
Price Category 14	+\$2545
Price Category (Geiger) A	+\$154
Price Category (Geiger) C	+\$246
Price Category D	+\$325
Price Category (Geiger) D	+\$325
Price Category E	+\$395
Price Category (Geiger) E	+\$395
Price Category F	+\$474
Price Category (Geiger) F	+\$474

Tuxedo Component Lounge™ Club Chair *continued*

Price Category G	+\$644	Price Category (Geiger) G	+\$644
Price Category (Geiger) G	+\$644	Price Category (Geiger) H	+\$803
Price Category (Geiger) H	+\$803	Price Category (Geiger) I	+\$970
Price Category (Geiger) I	+\$970	Price Category (Geiger) J	+\$1136
Price Category (Geiger) J	+\$1136	Price Category (Geiger) K	+\$1303
Price Category (Geiger) K	+\$1303	Price Category (Geiger) L	+\$1470
Price Category (Geiger) L	+\$1470	Price Category (Geiger) M	+\$1637
Price Category (Geiger) M	+\$1637	Price Category (Geiger) N	+\$1804
Price Category (Geiger) N	+\$1804	Price Category (Geiger) O	+\$1970
Price Category (Geiger) O	+\$1970	Price Category (Geiger) P	+\$2132
Price Category (Geiger) P	+\$2132	Price Category (Geiger) Q	+\$2461
Price Category (Geiger) Q	+\$2461	Price Category (Geiger) R	+\$3941
Price Category (Geiger) R	+\$3941	Price Category (Geiger) V	+\$4450
Price Category (Geiger) V	+\$4450	Price Category (Geiger) Z	+\$5472
Price Category (Geiger) X	+\$4961	Price Category (Geiger) COL A	+\$324
Price Category (Geiger) Y	+\$5215	Price Category (Geiger) COM A	+\$0
Price Category (Geiger) Z	+\$5472		
Price Category (Geiger) COL A	+\$324		
Price Category (Geiger) COM A	+\$0		
<hr/>			
<i>For no arms (N) with quilted (Q)</i>			
Price Category 1	+\$0	Price Category 1	+\$0
Price Category (Geiger) 1	+\$181	Price Category (Geiger) 1	+\$266
Price Category 2	+\$218	Price Category 2	+\$320
Price Category (Geiger) 2	+\$218	Price Category (Geiger) 2	+\$320
Price Category 3	+\$274	Price Category 3	+\$402
Price Category (Geiger) 3	+\$274	Price Category (Geiger) 3	+\$402
Price Category 4	+\$335	Price Category 4	+\$490
Price Category (Geiger) 4	+\$335	Price Category (Geiger) 4	+\$490
Price Category 5	+\$487	Price Category 5	+\$715
Price Category (Geiger) 5	+\$487	Price Category (Geiger) 5	+\$715
Price Category 6	+\$641	Price Category (Geiger) 6	+\$938
Price Category (Geiger) 6	+\$641	Price Category (Geiger) 7	+\$1164
Price Category 7	+\$793	Price Category (Geiger) 8	+\$1782
Price Category (Geiger) 7	+\$793	Price Category 9	+\$2210
Price Category 8	+\$1216	Price Category (Geiger) 9	+\$2210
Price Category 9	+\$2210	Price Category (Geiger) 10	+\$2543
Price Category (Geiger) 9	+\$1507	Price Category (Geiger) 11	+\$2850
Price Category (Geiger) 10	+\$1735	Price Category 14	+\$3733
Price Category (Geiger) 11	+\$1943	Price Category (Geiger) A	+\$226
Price Category 14	+\$2545	Price Category (Geiger) C	+\$361
Price Category (Geiger) A	+\$154	Price Category D	+\$476
Price Category (Geiger) C	+\$246	Price Category (Geiger) D	+\$476
Price Category D	+\$325	Price Category E	+\$580
Price Category (Geiger) D	+\$325	Price Category (Geiger) E	+\$580
Price Category (Geiger) E	+\$395	Price Category F	+\$694
Price Category F	+\$474	Price Category (Geiger) F	+\$694
Price Category (Geiger) F	+\$474	Price Category G	+\$946
Price Category G	+\$644	Price Category (Geiger) G	+\$946
		Price Category (Geiger) H	+\$1177

For arms (A) with not quilted (N)

Tuxedo Component Lounge™ Club Chair *continued*

HermanMiller Ancillary-Lounge Seating

Price Category (Geiger) I	+\$1422
Price Category (Geiger) J	+\$1667
Price Category (Geiger) K	+\$1912
Price Category (Geiger) L	+\$2156
Price Category (Geiger) M	+\$2401
Price Category (Geiger) N	+\$2646
Price Category (Geiger) O	+\$2891
Price Category (Geiger) P	+\$3127
Price Category (Geiger) Q	+\$3611
Price Category (Geiger) R	+\$5032
Price Category (Geiger) V	+\$6527
Price Category (Geiger) X	+\$7274
Price Category (Geiger) Y	+\$7649
Price Category (Geiger) Z	+\$8026
Price Category (Geiger) COL A	+\$475
Price Category (Geiger) COM A	+\$0

For arms (A) with quilted (Q)

Price Category 1	+\$0
Price Category (Geiger) 1	+\$266
Price Category 2	+\$320
Price Category (Geiger) 2	+\$320
Price Category 3	+\$402
Price Category (Geiger) 3	+\$402
Price Category 4	+\$490
Price Category (Geiger) 4	+\$490
Price Category 5	+\$715
Price Category (Geiger) 5	+\$715
Price Category (Geiger) 6	+\$938
Price Category (Geiger) 7	+\$1164
Price Category (Geiger) 8	+\$1782
Price Category 9	+\$2210
Price Category (Geiger) 9	+\$2210
Price Category (Geiger) 10	+\$2543
Price Category (Geiger) 11	+\$2850
Price Category 14	+\$3733
Price Category (Geiger) A	+\$226
Price Category (Geiger) C	+\$361
Price Category D	+\$476
Price Category (Geiger) D	+\$476
Price Category (Geiger) E	+\$580
Price Category F	+\$694
Price Category (Geiger) F	+\$694
Price Category G	+\$946
Price Category (Geiger) G	+\$946
Price Category (Geiger) H	+\$1177
Price Category (Geiger) I	+\$1422

Price Category (Geiger) J	+\$1667
Price Category (Geiger) K	+\$1912
Price Category (Geiger) L	+\$2156
Price Category (Geiger) M	+\$2401
Price Category (Geiger) N	+\$2646
Price Category (Geiger) O	+\$2891
Price Category (Geiger) P	+\$3127
Price Category (Geiger) Q	+\$3611
Price Category (Geiger) R	+\$5032
Price Category (Geiger) V	+\$6527
Price Category (Geiger) Z	+\$8026
Price Category (Geiger) COL A	+\$475
Price Category (Geiger) COM A	+\$0

Step 5. Base Finish

926 black A	+\$0
AS arctic silver A	+\$0
WHT white A	+\$0
CHR chrome A	+\$307
SAC satin chrome A	+\$307

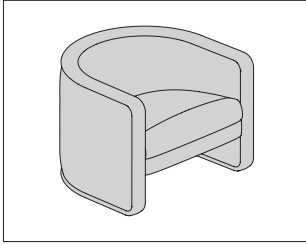
Step 6. Fire Retardancy

For no arms (N)

NOCAL not fire retardant A	+\$0
---	------

For arms (A)

NOCAL not fire retardant A	+\$0
---	------



Product Information

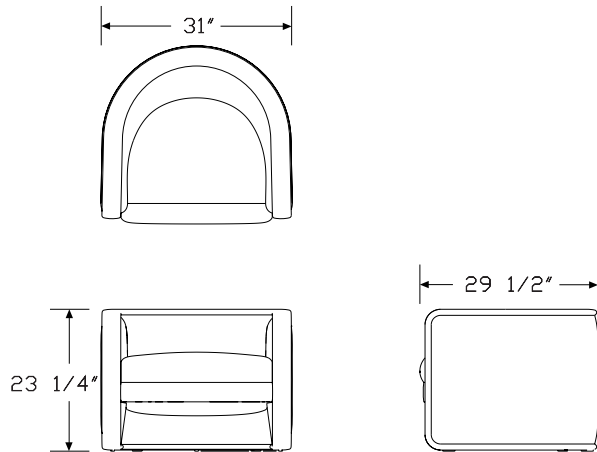
Description

This lounge chair is foam and Dacron® upholstered to the floor and has clear glides.

Customer's Own Material (COM) requires 6½ yards for the unit: 3 yards for shell back, 3½ yards for seat cushion and arm cap.

Customer's Own Leather (COL) requires 117 square feet for the unit: 54 square feet for the shell back, 63 square feet for seat cushion and arm cap. See Order Information in appendices.

Dimensions



Specification Information

Step 1.

2003 A \$2691

Step 2. Shell Upholstery

Price Category 1	+\$0
Price Category 2	+\$176
Price Category (Geiger) 2	+\$176
Price Category 3	+\$220
Price Category (Geiger) 3	+\$220
Price Category 4	+\$270
Price Category (Geiger) 4	+\$270
Price Category 5	+\$392
Price Category (Geiger) 5	+\$392
Price Category (Geiger) 6	+\$515
Price Category (Geiger) 7	+\$637
Price Category (Geiger) 8	+\$972
Price Category 9	+\$1206
Price Category (Geiger) 10	+\$1390
Price Category 11	+\$1555
Price Category 14	+\$2038
Price Category C	+\$198
Price Category D	+\$263
Price Category E	+\$317
Price Category F	+\$382
Price Category G	+\$518
Price Category H	+\$644
Price Category I	+\$778
Price Category J	+\$911
Price Category K	+\$1044
Price Category L	+\$1177
Price Category M	+\$1310
Price Category P	+\$1706
Price Category Q	+\$1969
Price Category S	+\$2948
Price Category X	+\$3971
Price Category Y	+\$4172
Price Category (Geiger) COM <input type="checkbox"/> A	+\$0
Price Category (Geiger) COL <input type="checkbox"/> A	+\$259

Step 3. Seat Cushion and Arm Cap Upholstery

Price Category 1	+\$0
Price Category 2	+\$206
Price Category (Geiger) 2	+\$206
Price Category 3	+\$257
Price Category (Geiger) 3	+\$257
Price Category 4	+\$316

U-Chair Lounge Chair *continued*

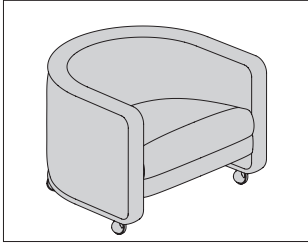
HermanMiller Ancillary-Lounge Seating

Price Category (Geiger) 4	+\$316
Price Category 5	+\$458
Price Category (Geiger) 5	+\$458
Price Category (Geiger) 6	+\$601
Price Category (Geiger) 7	+\$744
Price Category (Geiger) 8	+\$1134
Price Category 9	+\$1408
Price Category (Geiger) 10	+\$1621
Price Category 11	+\$1814
Price Category 14	+\$2377
Price Category C	+\$232
Price Category D	+\$307
Price Category E	+\$370
Price Category F	+\$445
Price Category G	+\$605
Price Category H	+\$752
Price Category I	+\$907
Price Category J	+\$1063
Price Category K	+\$1218
Price Category L	+\$1374
Price Category M	+\$1529
Price Category P	+\$1991
Price Category Q	+\$2298
Price Category S	+\$3440
Price Category X	+\$4633
Price Category Y	+\$4868
Price Category (Geiger) COL <input type="checkbox"/> A	+\$302
Price Category (Geiger) COM <input type="checkbox"/> A	+\$0

Step 4. Fire Retardancy	
NOCAL no cal-133 required <input type="checkbox"/> A	+\$0

U-Chair Lounge Chair with Casters

2004



Product Information

Description

This lounge chair is foam and Dacron® upholstered to the floor and has casters.

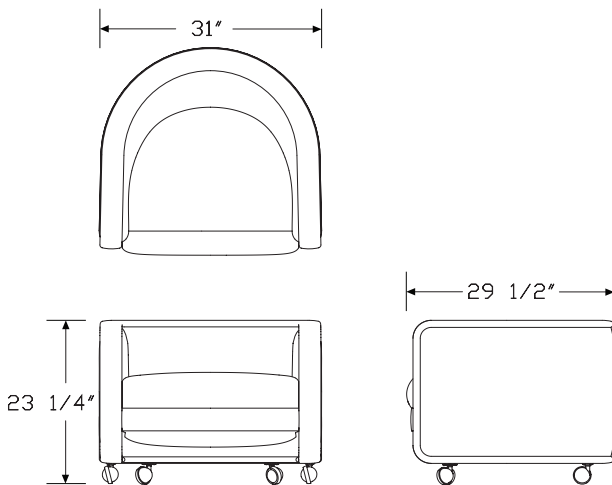
Customer's Own Material (COM) requires 6½ yards for the unit:

3 yards for shell back, 3½ yards for seat cushion and arm cap.

Customer's Own Leather (COL) requires 117 square feet for the unit:

54 square feet for the shell back, 63 square feet for seat cushion and arm cap. See Order Information in appendices.

Dimensions



Specification Information

Step 1.

2004 A \$2821

Step 2. Shell Upholstery

Price Category 1	+\$0
Price Category 2	+\$176
Price Category (Geiger) 2	+\$176
Price Category 3	+\$220
Price Category (Geiger) 3	+\$220
Price Category 4	+\$270
Price Category (Geiger) 4	+\$270
Price Category 5	+\$392
Price Category (Geiger) 5	+\$392
Price Category (Geiger) 6	+\$515
Price Category (Geiger) 7	+\$637
Price Category (Geiger) 8	+\$972
Price Category 9	+\$1206
Price Category (Geiger) 10	+\$1390
Price Category 11	+\$1555
Price Category 14	+\$2038
Price Category C	+\$222
Price Category D	+\$263
Price Category E	+\$317
Price Category F	+\$382
Price Category G	+\$518
Price Category H	+\$644
Price Category I	+\$778
Price Category J	+\$911
Price Category K	+\$1044
Price Category L	+\$1177
Price Category M	+\$1310
Price Category P	+\$1706
Price Category Q	+\$1969
Price Category S	+\$2948
Price Category X	+\$3971
Price Category Y	+\$4172
Price Category (Geiger) COM <input type="checkbox"/> A	+\$0
Price Category (Geiger) COL <input type="checkbox"/> A	+\$259

Step 3. Seat Cushion and Arm Cap Upholstery

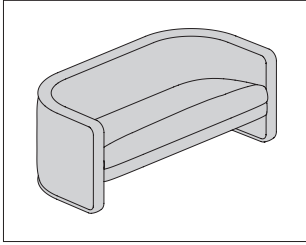
Price Category 1	+\$0
Price Category 2	+\$206
Price Category (Geiger) 2	+\$206
Price Category 3	+\$257
Price Category (Geiger) 3	+\$257
Price Category 4	+\$316

U-Chair Lounge Chair with Casters *continued*

HermanMiller Ancillary-Lounge Seating

Price Category (Geiger) 4	+\$316
Price Category 5	+\$458
Price Category (Geiger) 5	+\$458
Price Category (Geiger) 6	+\$601
Price Category (Geiger) 7	+\$744
Price Category (Geiger) 8	+\$1134
Price Category 9	+\$1408
Price Category (Geiger) 10	+\$1621
Price Category 11	+\$1814
Price Category 14	+\$2377
Price Category C	+\$232
Price Category D	+\$307
Price Category E	+\$370
Price Category F	+\$445
Price Category G	+\$605
Price Category H	+\$752
Price Category I	+\$907
Price Category J	+\$1063
Price Category K	+\$1218
Price Category L	+\$1374
Price Category M	+\$1529
Price Category P	+\$1991
Price Category Q	+\$2298
Price Category S	+\$3440
Price Category X	+\$4633
Price Category Y	+\$4868
Price Category (Geiger) COL <input type="checkbox"/> A	+\$302
Price Category (Geiger) COM <input type="checkbox"/> A	+\$0

Step 4. Fire Retardancy	
NOCAL no cal-133 required <input type="checkbox"/> A	+\$0



Product Information

Description

This settee is foam and Dacron® upholstered to the floor and has clear glides.

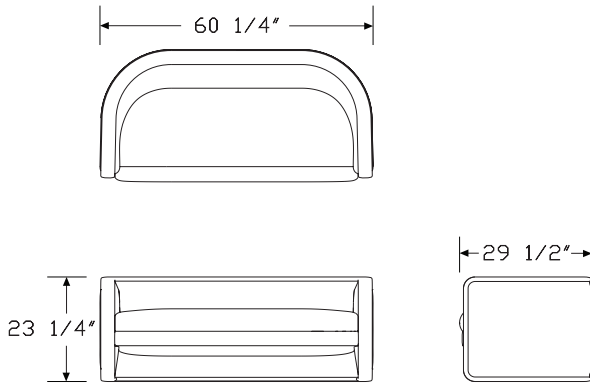
Customer's Own Material (COM) requires 9 yards for the unit:

4³/₄ yards for shell back, 4¹/₄ yards for seat cushion and arm cap.

Customer's Own Leather (COL) requires 161 square feet for the unit:

85 square feet for the shell back, 76 square feet for seat cushion and arm cap. See Order Information in appendices.

Dimensions



Specification Information

Step 1.

2006 A \$4068

Step 2. Shell Upholstery

Price Category 1	+\$0
Price Category 2	+\$280
Price Category (Geiger) 2	+\$280
Price Category 3	+\$348
Price Category (Geiger) 3	+\$348
Price Category 4	+\$428
Price Category (Geiger) 4	+\$428
Price Category 5	+\$622
Price Category (Geiger) 5	+\$622
Price Category (Geiger) 6	+\$816
Price Category (Geiger) 7	+\$1009
Price Category (Geiger) 8	+\$1540
Price Category 9	+\$1910
Price Category (Geiger) 10	+\$2201
Price Category 11	+\$2462
Price Category 14	+\$3227
Price Category C	+\$314
Price Category D	+\$416
Price Category E	+\$502
Price Category F	+\$605
Price Category G	+\$821
Price Category H	+\$1021
Price Category I	+\$1231
Price Category J	+\$1442
Price Category K	+\$1654
Price Category L	+\$1865
Price Category M	+\$2075
Price Category P	+\$3024
Price Category Q	+\$3119
Price Category S	+\$4669
Price Category X	+\$6288
Price Category Y	+\$6607
Price Category (Geiger) COM <input type="checkbox"/> A	+\$0
Price Category (Geiger) COL <input type="checkbox"/> A	+\$410

Step 3. Seat Cushion and Arm Upholstery

Price Category 1	+\$0
Price Category 2	+\$251
Price Category (Geiger) 2	+\$251
Price Category 3	+\$312
Price Category (Geiger) 3	+\$312
Price Category 4	+\$383

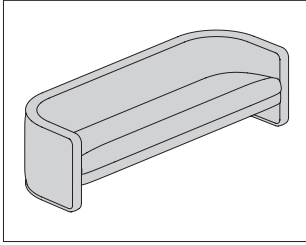
HermanMiller Ancillary-Lounge Seating

U-Settee *continued*

HermanMiller Ancillary-Lounge Seating

Price Category (Geiger) 4	+\$383
Price Category 5	+\$557
Price Category (Geiger) 5	+\$557
Price Category (Geiger) 6	+\$730
Price Category (Geiger) 7	+\$904
Price Category (Geiger) 8	+\$1378
Price Category 9	+\$1709
Price Category (Geiger) 10	+\$1969
Price Category 11	+\$2203
Price Category 14	+\$2887
Price Category C	+\$281
Price Category D	+\$373
Price Category E	+\$449
Price Category F	+\$541
Price Category G	+\$734
Price Category H	+\$913
Price Category I	+\$1102
Price Category J	+\$1291
Price Category K	+\$1480
Price Category L	+\$1668
Price Category M	+\$1856
Price Category P	+\$2418
Price Category Q	+\$2790
Price Category S	+\$4177
Price Category X	+\$5626
Price Category Y	+\$5911
Price Category (Geiger) COL <input type="checkbox"/> A	+\$367
Price Category (Geiger) COM <input type="checkbox"/> A	+\$0

Step 4. Fire Retardancy	
NOCAL no cal-133 required <input type="checkbox"/> A	+\$0



Product Information

Description

This sofa is foam and Dacron® upholstered to the floor and has clear glides.

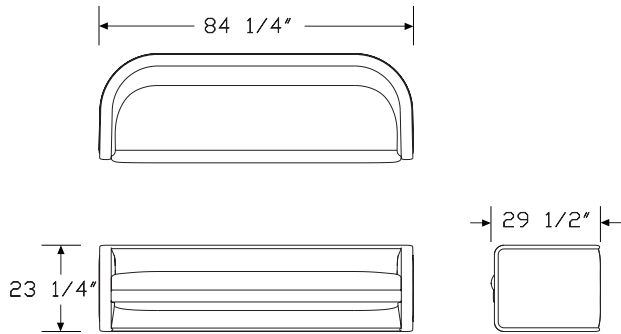
Customer's Own Material (COM) requires 11 yards for the unit:

5¾ yards for shell back, 5¼ yards for seat cushion and arm cap.

Customer's Own Leather (COL) requires 180 square feet for the unit:

94½ square feet for the shell back, 85½ square feet for seat cushion and arm cap. See Order Information in appendices.

Dimensions



Specification Information

Step 1.

2007 A \$5246

Step 2. Shell Upholstery

Price Category 1	+\$0
Price Category 2	+\$310
Price Category (Geiger) 2	+\$310
Price Category 3	+\$385
Price Category (Geiger) 3	+\$385
Price Category 4	+\$473
Price Category (Geiger) 4	+\$473
Price Category 5	+\$688
Price Category (Geiger) 5	+\$688
Price Category (Geiger) 6	+\$901
Price Category (Geiger) 7	+\$1116
Price Category (Geiger) 8	+\$1702
Price Category 9	+\$2111
Price Category (Geiger) 10	+\$2432
Price Category 11	+\$2722
Price Category 14	+\$3566
Price Category C	+\$347
Price Category D	+\$461
Price Category E	+\$554
Price Category F	+\$668
Price Category G	+\$907
Price Category H	+\$1128
Price Category I	+\$1361
Price Category J	+\$1595
Price Category K	+\$1828
Price Category L	+\$2060
Price Category M	+\$2293
Price Category P	+\$2987
Price Category Q	+\$3446
Price Category S	+\$5160
Price Category X	+\$6949
Price Category Y	+\$7302
Price Category (Geiger) COM <input type="checkbox"/> A	+\$0
Price Category (Geiger) COL <input type="checkbox"/> A	+\$454

Step 3. Seat Cushion and Arm Cap Upholstery

Price Category 1	+\$0
Price Category 2	+\$280
Price Category (Geiger) 2	+\$280
Price Category 3	+\$348
Price Category (Geiger) 3	+\$348
Price Category 4	+\$428

U-Sofa *continued*

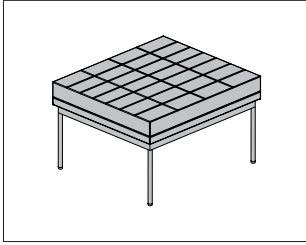
HermanMiller Ancillary-Lounge Seating

Price Category (Geiger) 4	+\$428
Price Category 5	+\$622
Price Category (Geiger) 5	+\$622
Price Category (Geiger) 6	+\$816
Price Category (Geiger) 7	+\$1009
Price Category (Geiger) 8	+\$1540
Price Category 9	+\$1910
Price Category (Geiger) 10	+\$2201
Price Category 11	+\$2462
Price Category 14	+\$3227
Price Category C	+\$314
Price Category D	+\$416
Price Category E	+\$502
Price Category F	+\$605
Price Category G	+\$821
Price Category H	+\$1021
Price Category I	+\$1231
Price Category J	+\$1442
Price Category K	+\$1654
Price Category L	+\$1865
Price Category M	+\$2075
Price Category P	+\$3024
Price Category Q	+\$3119
Price Category S	+\$4669
Price Category X	+\$6288
Price Category Y	+\$6607
Price Category (Geiger) COL <input type="checkbox"/> A	+\$410
Price Category (Geiger) COM <input type="checkbox"/> A	+\$0

Step 4. Fire Retardancy	
NOCAL no cal-133 required <input type="checkbox"/> A	+\$0

Tuxedo Component Lounge™
Ottoman

ST1BN
ST1BQ



Product Information

Description

This 17"-high ottoman has a foam and Dacron® seat with a painted or plated steel base.

Notes

Customer's Own Material (COM)/Customer's Own Leather (COL) requires the following:

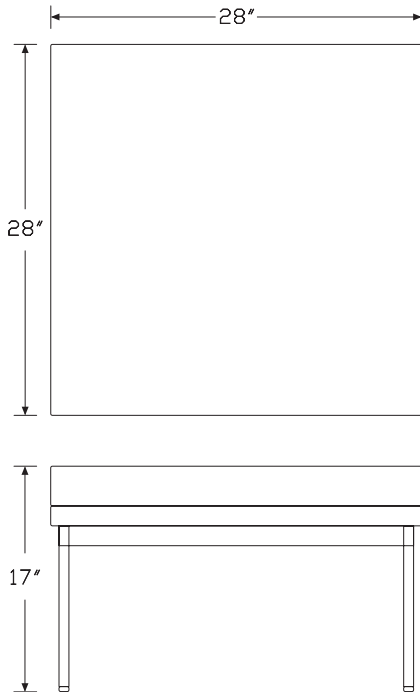
Type—COM—COL

Not quilted—1½ yards—27 square feet

Quilted—1½ yards—27 square feet

See Order Information in Appendices for more information.

Dimensions



Specification Information

Step 1.

ST1B A

Step 2. Upholstery Type

N not quilted A

Q quilted A

Prices for Steps 1-2.

ST1BN	\$1740
ST1BQ	\$1786

Step 3. Upholstery

For quilted (Q)

Price Category 1	+\$0
Price Category (Geiger) 1	+\$25
Price Category 2	+\$89
Price Category (Geiger) 2	+\$89
Price Category 3	+\$110
Price Category (Geiger) 3	+\$110
Price Category 4	+\$134
Price Category (Geiger) 4	+\$134
Price Category 5	+\$196
Price Category (Geiger) 5	+\$196
Price Category (Geiger) 6	+\$257
Price Category (Geiger) 7	+\$318
Price Category (Geiger) 8	+\$486
Price Category 9	+\$604
Price Category (Geiger) 9	+\$604
Price Category (Geiger) 10	+\$694
Price Category (Geiger) 11	+\$778
Price Category (Geiger) 14	+\$1019
Price Category (Geiger) A	+\$62
Price Category (Geiger) C	+\$100
Price Category D	+\$131
Price Category (Geiger) D	+\$131
Price Category (Geiger) E	+\$158
Price Category F	+\$190
Price Category (Geiger) F	+\$190
Price Category G	+\$259
Price Category (Geiger) G	+\$259
Price Category (Geiger) H	+\$322
Price Category (Geiger) I	+\$389
Price Category (Geiger) J	+\$456
Price Category (Geiger) K	+\$522
Price Category (Geiger) L	+\$589

Tuxedo Component Lounge™ Ottoman *continued*

HermanMiller Ancillary-Lounge Seating

Price Category (Geiger) M	+\$655
Price Category (Geiger) N	+\$722
Price Category (Geiger) O	+\$790
Price Category (Geiger) P	+\$853
Price Category (Geiger) Q	+\$985
Price Category (Geiger) R	+\$1373
Price Category (Geiger) V	+\$1781
Price Category (Geiger) Z	+\$2189
Price Category (Geiger) COL A	+\$130
Price Category (Geiger) COM A	+\$0

For not quilted (N)

Price Category 1	+\$0
Price Category (Geiger) 1	+\$25
Price Category 2	+\$89
Price Category (Geiger) 2	+\$89
Price Category 3	+\$110
Price Category (Geiger) 3	+\$110
Price Category 4	+\$134
Price Category (Geiger) 4	+\$134
Price Category 5	+\$196
Price Category (Geiger) 5	+\$196
Price Category (Geiger) 6	+\$257
Price Category (Geiger) 7	+\$318
Price Category (Geiger) 8	+\$486
Price Category 9	+\$604
Price Category (Geiger) 9	+\$604
Price Category (Geiger) 10	+\$694
Price Category (Geiger) 11	+\$778
Price Category (Geiger) 14	+\$1019
Price Category (Geiger) A	+\$62
Price Category (Geiger) C	+\$100
Price Category D	+\$131
Price Category (Geiger) D	+\$131
Price Category E	+\$158
Price Category (Geiger) E	+\$158
Price Category F	+\$190
Price Category (Geiger) F	+\$190
Price Category G	+\$259
Price Category (Geiger) G	+\$259
Price Category (Geiger) H	+\$322
Price Category (Geiger) I	+\$389
Price Category (Geiger) J	+\$456
Price Category (Geiger) K	+\$522
Price Category (Geiger) L	+\$589
Price Category (Geiger) M	+\$655
Price Category (Geiger) N	+\$722

Price Category (Geiger) O	+\$790
Price Category (Geiger) P	+\$853
Price Category (Geiger) Q	+\$985
Price Category (Geiger) R	+\$1373
Price Category (Geiger) V	+\$1781
Price Category (Geiger) X	+\$1985
Price Category (Geiger) Y	+\$2087
Price Category (Geiger) Z	+\$2189
Price Category (Geiger) COL A	+\$130
Price Category (Geiger) COM A	+\$0

Step 4. Base Finish

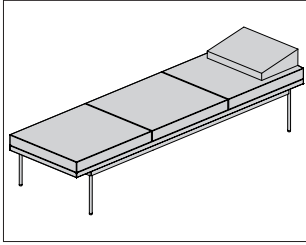
926 black A	+\$0
AS arctic silver A	+\$0
WHT white A	+\$0
CHR chrome A	+\$307
SAC satin chrome A	+\$307

Step 5. Fire Retardancy

NOCAL not fire retardant A	+\$0
---	------

Tuxedo Component Lounge™
Daybed

ST3DN
ST3DQ



Product Information

Description

This 17"-high daybed has a foam and Dacron® seat with a painted or plated steel base.

Notes

Customer's Own Material (COM)/Customer's Own Leather (COL) requires the following:

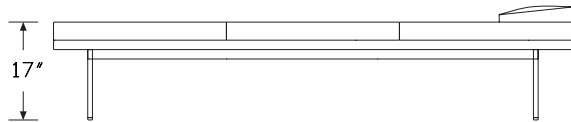
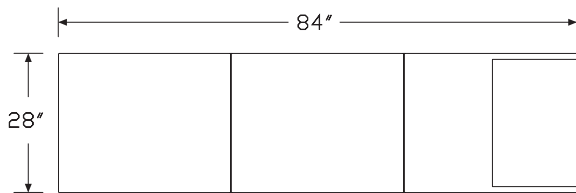
Type—COM—COL

Not quilted—6½ yards—117 square feet

Quilted—6½ yards—117 square feet

See Order Information in Appendices for more information.

Dimensions



Specification Information

Step 1.

ST3D A

Step 2. Upholstery Type

N not quilted A

Q quilted A

Prices for Steps 1-2.

ST3DN	\$4363
ST3DQ	\$4454

Step 3. Upholstery

For quilted (Q)

Price Category 1	+\$0
Price Category (Geiger) 1	+\$314
Price Category 2	+\$379
Price Category (Geiger) 2	+\$379
Price Category 3	+\$475
Price Category (Geiger) 3	+\$475
Price Category 4	+\$580
Price Category (Geiger) 4	+\$580
Price Category 5	+\$845
Price Category (Geiger) 5	+\$845
Price Category (Geiger) 6	+\$1109
Price Category (Geiger) 7	+\$1375
Price Category (Geiger) 8	+\$2106
Price Category 9	+\$2612
Price Category (Geiger) 9	+\$2612
Price Category (Geiger) 10	+\$3005
Price Category (Geiger) 11	+\$3367
Price Category (Geiger) 14	+\$4412
Price Category (Geiger) A	+\$266
Price Category (Geiger) C	+\$427
Price Category D	+\$563
Price Category (Geiger) D	+\$563
Price Category (Geiger) E	+\$684
Price Category F	+\$820
Price Category (Geiger) F	+\$820
Price Category G	+\$1118
Price Category (Geiger) G	+\$1118
Price Category (Geiger) H	+\$1391
Price Category (Geiger) I	+\$1680
Price Category (Geiger) J	+\$1969
Price Category (Geiger) K	+\$2258
Price Category (Geiger) L	+\$2548

Tuxedo Component Lounge™

Daybed *continued*

HermanMiller Ancillary-Lounge Seating

Price Category (Geiger) M	+\$2837
Price Category (Geiger) N	+\$3126
Price Category (Geiger) O	+\$3415
Price Category (Geiger) P	+\$3696
Price Category (Geiger) Q	+\$4267
Price Category (Geiger) R	+\$5946
Price Category (Geiger) V	+\$7714
Price Category (Geiger) Z	+\$9485
Price Category (Geiger) COL <input type="checkbox"/>	+\$562
Price Category (Geiger) COM <input type="checkbox"/>	+\$0

For not quilted (N)

Price Category 1	+\$0
Price Category (Geiger) 1	+\$314
Price Category 2	+\$379
Price Category (Geiger) 2	+\$379
Price Category 3	+\$475
Price Category (Geiger) 3	+\$475
Price Category 4	+\$580
Price Category (Geiger) 4	+\$580
Price Category 5	+\$845
Price Category (Geiger) 5	+\$845
Price Category (Geiger) 6	+\$1109
Price Category (Geiger) 7	+\$1375
Price Category (Geiger) 8	+\$2106
Price Category 9	+\$2612
Price Category (Geiger) 9	+\$2612
Price Category (Geiger) 10	+\$3005
Price Category (Geiger) 11	+\$3367
Price Category (Geiger) 14	+\$4412
Price Category (Geiger) A	+\$266
Price Category (Geiger) C	+\$427
Price Category D	+\$563
Price Category (Geiger) D	+\$563
Price Category E	+\$684
Price Category (Geiger) E	+\$684
Price Category F	+\$820
Price Category (Geiger) F	+\$820
Price Category G	+\$1118
Price Category (Geiger) G	+\$1118
Price Category (Geiger) H	+\$1391
Price Category (Geiger) I	+\$1680
Price Category (Geiger) J	+\$1969
Price Category (Geiger) K	+\$2258
Price Category (Geiger) L	+\$2548
Price Category (Geiger) M	+\$2837
Price Category (Geiger) N	+\$3126

Price Category (Geiger) O	+\$3415
Price Category (Geiger) P	+\$3696
Price Category (Geiger) Q	+\$4267
Price Category (Geiger) R	+\$5946
Price Category (Geiger) V	+\$7714
Price Category (Geiger) X	+\$8597
Price Category (Geiger) Y	+\$9040
Price Category (Geiger) Z	+\$9485
Price Category (Geiger) COL <input type="checkbox"/>	+\$562
Price Category (Geiger) COM <input type="checkbox"/>	+\$0

Step 4. Base Finish

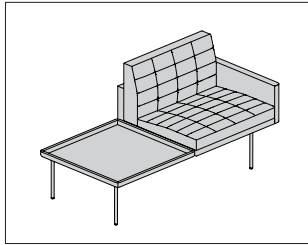
926 black <input type="checkbox"/>	+\$0
AS arctic silver <input type="checkbox"/>	+\$0
WHT white <input type="checkbox"/>	+\$0
CHR chrome <input type="checkbox"/>	+\$671
SAC satin chrome <input type="checkbox"/>	+\$671

Step 5. Fire Retardancy

NOCAL not fire retardant <input type="checkbox"/>	+\$0
--	------

Tuxedo Component Lounge with Table - One Seat

SX1AL
SX1AR
SX1NL
SX1NR



Product Information

Description

This 1-seat lounge with table has a steel plated metal base with cushions made of polyfoam and DACRON®. Cushions are quilted or not quilted. The unit is available with an arm on 1 side, or without arms, and with the table on either the left or right side. Table top is solid wood 1½" thick. Fire retardant lounge meets CAL 133 requirements.

Notes

Handedness is determined from a seated position.

Order ganging plates (STGP) separately.

Customer's Own Material (COM)/Customer's Own Leather (COL) requires the following:

Type—COM—COL

SX1ALN—4¾ yards—85½ square feet

SX1ALQ—4¾ yards—85½ square feet

SX1ARN—4¾ yards—85½ square feet

SX1ARQ—4¾ yards—85½ square feet

SX1NLN—3¾ yards—67½ square feet

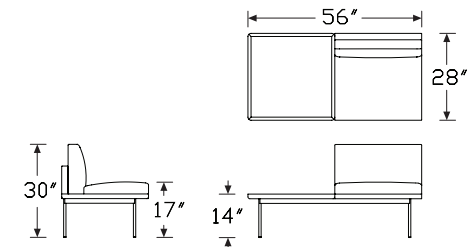
SX1NLQ—3¾ yards—67½ square feet

SX1NRN—3¾ yards—67½ square feet

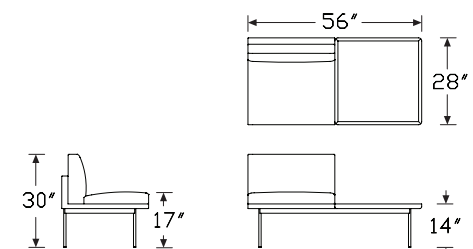
SX1NRQ—3¾ yards—67½ square feet

See Order Information in Appendices for more information.

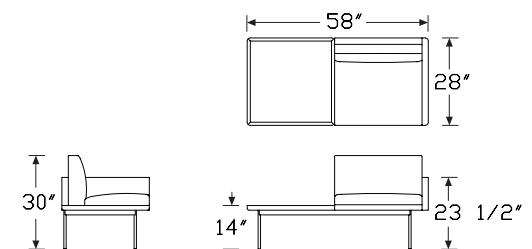
Dimensions



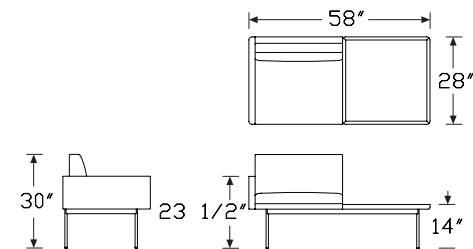
Tuxedo 1 Seat Armless, Table Right



Tuxedo 1 Seat Armless, Table Left



Tuxedo 1 Seat Arm, Table Right



Tuxedo 1 Seat Arm, Table Left

Tuxedo Component Lounge with Table - One Seat *continued*

HermanMiller Ancillary-Lounge Seating

Specification Information	
Step 1.	
SX1	<input type="checkbox"/> A
Step 2. Arms	
A	arm 1 side <input type="checkbox"/> A
N	no arms <input type="checkbox"/> A
Step 3. Handing	
L	seating left, table right <input type="checkbox"/> A
R	seating right, table left <input type="checkbox"/> A
Step 4. Upholstery Type	
N	not quilted <input type="checkbox"/> A
Q	quilted <input type="checkbox"/> A
Prices for Steps 1-4.	
SX1AL N	\$5012
Q	\$5188
SX1AR N	\$5012
Q	\$5188
SX1NL N	\$4573
Q	\$4756
SX1NR N	\$4573
Q	\$4756
Step 5. Wood Finish	
Matte Finishes	
662	toasted walnut, matte sheen <input type="checkbox"/> A +\$0
663	charred walnut, matte sheen <input type="checkbox"/> A +\$0
664	bronzed walnut, matte sheen <input type="checkbox"/> A +\$0
665	smoked walnut, matte sheen <input type="checkbox"/> A +\$0
666	coffee walnut, matte sheen <input type="checkbox"/> A +\$0
667	smoked paldao, quarter cut, matte sheen <input type="checkbox"/> A +\$0
669	warm paldao, quarter cut, matte sheen <input type="checkbox"/> A +\$0
66A	recograin frosty ash <input type="checkbox"/> A +\$0
677	chocolate ash, matte sheen <input type="checkbox"/> A +\$0
68R	recograin rosewood <input type="checkbox"/> A +\$0
69A	recograin frosty ash <input type="checkbox"/> A +\$0
69R	recograin rosewood <input type="checkbox"/> A +\$0
69T	recograin teak <input type="checkbox"/> A +\$0
6K1	rift oak <input type="checkbox"/> A +\$0
ET	clear on ash <input type="checkbox"/> A +\$0

EU	oak on ash <input type="checkbox"/> A	+\$0
EV	walnut on ash <input type="checkbox"/> A	+\$0
GOU	natural walnut, flat cut, matte sheen <input type="checkbox"/> A	+\$0
6A1	white ash <input type="checkbox"/> A	+\$0
6K6	burnt oak <input type="checkbox"/> A	+\$0
932	sundance anigre <input type="checkbox"/> A	+\$0
933	caramel anigre <input type="checkbox"/> A	+\$0
934	henna anigre <input type="checkbox"/> A	+\$0
940	sundance cherry on maple <input type="checkbox"/> A	+\$0
962	toasted walnut, low sheen <input type="checkbox"/> A	+\$0
963	charred walnut, low sheen <input type="checkbox"/> A	+\$0
964	bronzed walnut, low sheen <input type="checkbox"/> A	+\$0
965	smoked walnut, low sheen <input type="checkbox"/> A	+\$0
966	coffee walnut, low sheen <input type="checkbox"/> A	+\$0
967	smoked paldao, low sheen <input type="checkbox"/> A	+\$0
969	warm paldao, low sheen <input type="checkbox"/> A	+\$0
972	sundance walnut <input type="checkbox"/> A	+\$0
977	chocolate ash, low sheen <input type="checkbox"/> A	+\$0
98R	recograin rosewood <input type="checkbox"/> A	+\$0
991	champagne ash <input type="checkbox"/> A	+\$0
99A	recograin frosty ash <input type="checkbox"/> A	+\$0
99R	recograin rosewood <input type="checkbox"/> A	+\$0
99T	recograin teak <input type="checkbox"/> A	+\$0
9A1	white ash, quarter cut, low sheen <input type="checkbox"/> A	+\$0
9K1	rift oak, rift cut, low sheen <input type="checkbox"/> A	+\$0
9K6	burnt oak, rift cut, low sheen <input type="checkbox"/> A	+\$0
G2U	light brown walnut, low sheen <input type="checkbox"/> A	+\$0
G40	dark brown walnut, low sheen <input type="checkbox"/> A	+\$0
943	caramel cherry <input type="checkbox"/> A	+\$0
946	cocoa cherry <input type="checkbox"/> A	+\$0
956	cocoa sapele <input type="checkbox"/> A	+\$0
998	ebony ash <input type="checkbox"/> A	+\$0

RecoGrain Veneer	
68W	recograin walnut, flat cut, matte sheen <input type="checkbox"/> A +\$0
69W	recograin walnut, quarter cut, matte sheen <input type="checkbox"/> A +\$0

Recon Veneer -	
98W	recograin walnut, flat cut, low sheen <input type="checkbox"/> A +\$0
99W	recograin walnut, quarter cut, low sheen <input type="checkbox"/> A +\$0

Step 6. Fabric	
<i>For arm 1 side (A) with not quilted (N)</i>	
Price Category (Geiger) 11	+\$2460
Price Category P	+\$2252
Price Category (Geiger) 1	+\$0

Tuxedo Component Lounge with Table - One Seat *continued*

Price Category 1	+\$0
Price Category (Geiger) 2	+\$276
Price Category 2	+\$276
Price Category (Geiger) 3	+\$347
Price Category 3	+\$347
Price Category (Geiger) 4	+\$424
Price Category 4	+\$424
Price Category (Geiger) 5	+\$617
Price Category 5	+\$617
Price Category (Geiger) 6	+\$811
Price Category (Geiger) 7	+\$1004
Price Category (Geiger) 8	+\$1540
Price Category (Geiger) 9	+\$1909
Price Category 9	+\$1909
Price Category (Geiger) 10	+\$2197
Price Category 14	+\$3227
Price Category (Geiger) C	+\$312
Price Category (Geiger) D	+\$412
Price Category D	+\$400
Price Category (Geiger) E	+\$500
Price Category E	+\$500
Price Category (Geiger) F	+\$600
Price Category F	+\$600
Price Category (Geiger) G	+\$562
Price Category G	+\$646
Price Category (Geiger) COM A	+\$0
Price Category (Geiger) COL A	+\$410
Price Category (Geiger) H	+\$1016
Price Category (Geiger) I	+\$1228
Price Category (Geiger) J	+\$1439
Price Category (Geiger) K	+\$1651
Price Category (Geiger) L	+\$1862
Price Category (Geiger) M	+\$2074
Price Category (Geiger) R	+\$4345

For arm 1 side (A) with quilted (Q)

Price Category (Geiger) 11	+\$2460
Price Category (Geiger) 1	+\$0
Price Category 1	+\$0
Price Category 2	+\$276
Price Category (Geiger) 2	+\$276
Price Category 3	+\$347
Price Category (Geiger) 3	+\$347
Price Category 4	+\$424
Price Category (Geiger) 4	+\$424
Price Category 5	+\$617
Price Category (Geiger) 5	+\$617
Price Category (Geiger) 6	+\$811
Price Category (Geiger) 7	+\$1004
Price Category (Geiger) 8	+\$1540
Price Category 9	+\$1909
Price Category (Geiger) 9	+\$1909
Price Category (Geiger) 10	+\$2197
Price Category 14	+\$3227
Price Category (Geiger) C	+\$312
Price Category D	+\$400
Price Category (Geiger) D	+\$412
Price Category F	+\$600
Price Category (Geiger) F	+\$600
Price Category G	+\$646
Price Category (Geiger) G	+\$562
Price Category (Geiger) H	+\$1016
Price Category (Geiger) K	+\$1651
Price Category (Geiger) L	+\$1862
Price Category (Geiger) M	+\$2074
Price Category (Geiger) R	+\$4345
Price Category (Geiger) COL A	+\$410
Price Category (Geiger) COM A	+\$0

For no arms (N) with not quilted (N)

Price Category (Geiger) 11	+\$1943
Price Category P	+\$1778
Price Category (Geiger) 1	+\$0
Price Category 1	+\$0
Price Category (Geiger) 2	+\$218
Price Category 2	+\$218
Price Category (Geiger) 3	+\$274
Price Category 3	+\$274
Price Category (Geiger) 4	+\$335
Price Category 4	+\$458
Price Category (Geiger) 5	+\$487
Price Category 5	+\$487

Tuxedo Component Lounge with
Table - One Seat *continued*

HermanMiller Ancillary-Lounge Seating

Price Category (Geiger) 6	+\$641
Price Category (Geiger) 7	+\$793
Price Category (Geiger) 8	+\$1216
Price Category (Geiger) 9	+\$1507
Price Category 9	+\$1507
Price Category (Geiger) 10	+\$1735
Price Category 14	+\$2548
Price Category (Geiger) C	+\$246
Price Category (Geiger) D	+\$325
Price Category D	+\$316
Price Category (Geiger) E	+\$395
Price Category E	+\$395
Price Category (Geiger) F	+\$474
Price Category F	+\$474
Price Category (Geiger) G	+\$562
Price Category G	+\$646
Price Category (Geiger) H	+\$803
Price Category (Geiger) I	+\$970
Price Category (Geiger) K	+\$1303
Price Category (Geiger) L	+\$1470
Price Category (Geiger) M	+\$1637
Price Category (Geiger) R	+\$3431
Price Category (Geiger) COM A	+\$0
Price Category (Geiger) COL A	+\$324

For no arms (N) with quilted (Q)

Price Category (Geiger) 11	+\$1943
Price Category (Geiger) 1	+\$0
Price Category 1	+\$0
Price Category 2	+\$218
Price Category (Geiger) 2	+\$218
Price Category 3	+\$274
Price Category (Geiger) 3	+\$274
Price Category 4	+\$458
Price Category (Geiger) 4	+\$335
Price Category 5	+\$487
Price Category (Geiger) 5	+\$487
Price Category (Geiger) 6	+\$641
Price Category (Geiger) 7	+\$793
Price Category (Geiger) 8	+\$1216
Price Category 9	+\$1507
Price Category (Geiger) 9	+\$1507
Price Category (Geiger) 10	+\$1735
Price Category 14	+\$2548
Price Category (Geiger) C	+\$246
Price Category D	+\$316
Price Category (Geiger) D	+\$325
Price Category F	+\$474
Price Category (Geiger) F	+\$474
Price Category G	+\$646
Price Category (Geiger) G	+\$562
Price Category (Geiger) H	+\$803
Price Category (Geiger) K	+\$1303
Price Category (Geiger) L	+\$1470
Price Category (Geiger) M	+\$1637
Price Category (Geiger) R	+\$3431
Price Category (Geiger) COL A	+\$324
Price Category (Geiger) COM A	+\$0

Step 7. Base Finish

926 black A	+\$0
AS arctic silver A	+\$0
WHT white A	+\$0
CHR chrome A	+\$671
SAC satin chrome A	+\$671

Step 8. Fire Retardancy

For arm 1 side (A)

NOCAL no cal-133 required A	+\$0
--	------

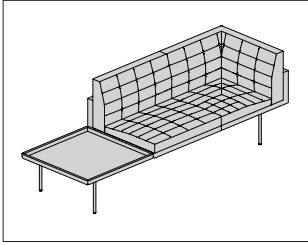
Tuxedo Component Lounge with
Table - One Seat *continued*

For no arms (N)

NOCAL no cal-133 required **A** +\$0

Tuxedo Component Lounge with Table - Two Seats

SX2AL
SX2AR
SX2CL
SX2CR
SX2NL
SX2NR



Product Information

Description

This 2-seat lounge with table has a steel plated metal base with cushions made of polyfoam and DACRON®. Cushions are quilted or not quilted. The unit is available with a corner on 1 side, an arm on 1 side, or without arms, and with the table on either the left or right side. Table top is solid wood 1½" thick. Fire retardant lounge meets CAL 133 requirements.

Notes

Handedness is determined from a seated position.

Order ganging plates (STGP) separately.

Customer's Own Material (COM)/Customer's Own Leather (COL) requires the following:

Type—COM—COL

SX2ALN—8½ yards—153 square feet

SX2ALQ—8½ yards—153 square feet

SX2ARN—8½ yards—153 square feet

SX2ARQ—8½ yards—153 square feet

SX2CLN—9¼ yards—166½ square feet

SX2CLQ—9¼ yards—166½ square feet

SX2CRN—9¼ yards—166½ square feet

SX2CRQ—9¼ yards—166½ square feet

SX2NLN—7½ yards—135 square feet

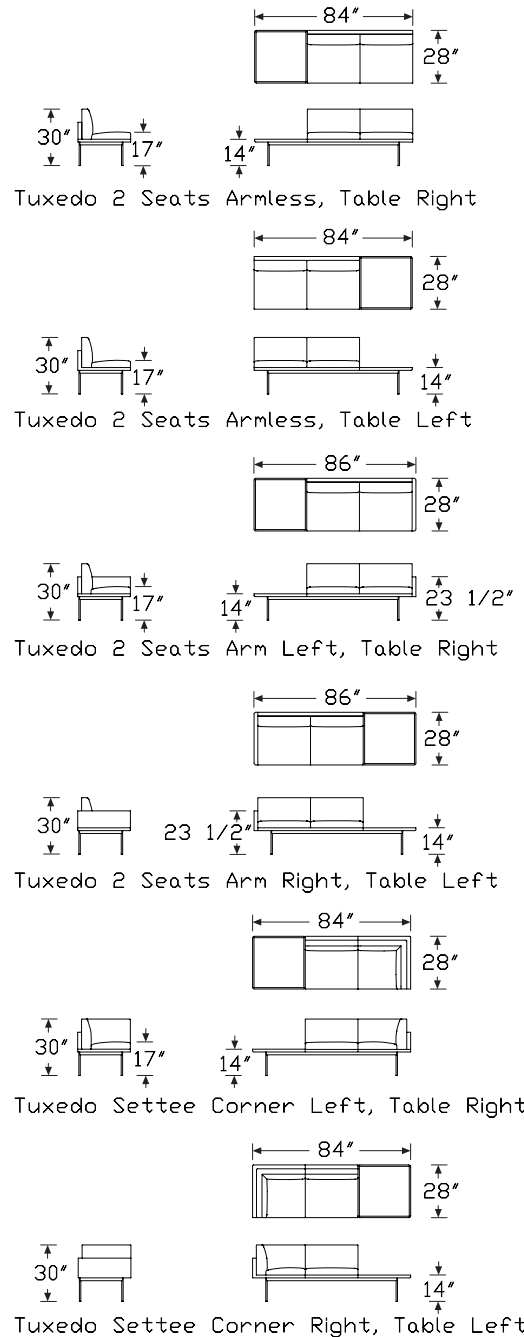
SX2NLQ—7½ yards—135 square feet

SX2NRN—7½ yards—135 square feet

SX2NRQ—7½ yards—135 square feet

See Order Information in Appendices for more information.

Dimensions



Tuxedo Component Lounge with Table - Two Seats *continued*

Specification Information

Step 1.

SX2 A

Step 2. Arms

A arm 1 side A

C corner 1 side A

N no arms A

Step 3. Handing

L seating left, table right A

R seating right, table left A

Step 4. Upholstery Type

N not quilted A

Q quilted A

Prices for Steps 1-4.

SX2AL	N	\$6526
	Q	\$6893

SX2AR	N	\$6526
	Q	\$6893

SX2CL	N	\$7313
	Q	\$7746

SX2CR	N	\$7313
	Q	\$7746

SX2NL	N	\$6094
	Q	\$6460

SX2NR	N	\$6094
	Q	\$6460

Step 5. Wood Finish

68W	recograin walnut, flat cut, matte sheen <input type="checkbox"/> A	+\$0
69W	recograin walnut, quarter cut, matte sheen <input type="checkbox"/> A	+\$0
98W	recograin walnut, flat cut, low sheen <input type="checkbox"/> A	+\$0
99W	recograin walnut, quarter cut, low sheen <input type="checkbox"/> A	+\$0

Matte Finishes

662	toasted walnut, matte sheen <input type="checkbox"/> A	+\$0
663	charred walnut, matte sheen <input type="checkbox"/> A	+\$0
664	bronzed walnut, matte sheen <input type="checkbox"/> A	+\$0
665	smoked walnut, matte sheen <input type="checkbox"/> A	+\$0

666	coffee walnut, matte sheen <input type="checkbox"/> A	+\$0
667	smoked paldao, quarter cut, matte sheen <input type="checkbox"/> A	+\$0
669	warm paldao, quarter cut, matte sheen <input type="checkbox"/> A	+\$0
66A	recograin frosty ash <input type="checkbox"/> A	+\$0
677	chocolate ash, matte sheen <input type="checkbox"/> A	+\$0
68R	recograin rosewood <input type="checkbox"/> A	+\$0
69A	recograin frosty ash <input type="checkbox"/> A	+\$0
69R	recograin rosewood <input type="checkbox"/> A	+\$0
69T	recograin teak <input type="checkbox"/> A	+\$0
6K1	rift oak <input type="checkbox"/> A	+\$0
ET	clear on ash <input type="checkbox"/> A	+\$0
EU	oak on ash <input type="checkbox"/> A	+\$0
EV	walnut on ash <input type="checkbox"/> A	+\$0
GOU	natural walnut, flat cut, matte sheen <input type="checkbox"/> A	+\$0
6A1	white ash <input type="checkbox"/> A	+\$0
6K6	burnt oak <input type="checkbox"/> A	+\$0
932	sundance anigre <input type="checkbox"/> A	+\$0
933	caramel anigre <input type="checkbox"/> A	+\$0
934	henna anigre <input type="checkbox"/> A	+\$0
940	sundance cherry on maple <input type="checkbox"/> A	+\$0
962	toasted walnut, low sheen <input type="checkbox"/> A	+\$0
963	charred walnut, low sheen <input type="checkbox"/> A	+\$0
964	bronzed walnut, low sheen <input type="checkbox"/> A	+\$0
965	smoked walnut, low sheen <input type="checkbox"/> A	+\$0
966	coffee walnut, low sheen <input type="checkbox"/> A	+\$0
967	smoked paldao, low sheen <input type="checkbox"/> A	+\$0
969	warm paldao, low sheen <input type="checkbox"/> A	+\$0
972	sundance walnut <input type="checkbox"/> A	+\$0
977	chocolate ash, low sheen <input type="checkbox"/> A	+\$0
98R	recograin rosewood <input type="checkbox"/> A	+\$0
991	champagne ash <input type="checkbox"/> A	+\$0
99A	recograin frosty ash <input type="checkbox"/> A	+\$0
99R	recograin rosewood <input type="checkbox"/> A	+\$0
99T	recograin teak <input type="checkbox"/> A	+\$0
9A1	white ash, quarter cut, low sheen <input type="checkbox"/> A	+\$0
9K1	rift oak, rift cut, low sheen <input type="checkbox"/> A	+\$0
G2U	light brown walnut, low sheen <input type="checkbox"/> A	+\$0
G40	dark brown walnut, low sheen <input type="checkbox"/> A	+\$0
943	caramel cherry <input type="checkbox"/> A	+\$0
946	cocoa cherry <input type="checkbox"/> A	+\$0
956	cocoa sapele <input type="checkbox"/> A	+\$0
998	ebony ash <input type="checkbox"/> A	+\$0

Tuxedo Component Lounge with Table - Two Seats *continued*

HermanMiller Ancillary-Lounge Seating

Step 6. Fabric

For arm 1 side (A) with not quilted (N)

Price Category (Geiger) 11	+\$4403
Price Category P	+\$2252
Price Category 1	+\$0
Price Category 2	+\$494
Price Category (Geiger) 2	+\$494
Price Category 3	+\$622
Price Category (Geiger) 3	+\$622
Price Category 4	+\$757
Price Category (Geiger) 4	+\$757
Price Category 5	+\$1104
Price Category (Geiger) 5	+\$1104
Price Category (Geiger) 6	+\$1451
Price Category 7	+\$1798
Price Category (Geiger) 7	+\$1798
Price Category (Geiger) 8	+\$2753
Price Category 9	+\$3415
Price Category (Geiger) 9	+\$3418
Price Category (Geiger) 10	+\$3930
Price Category 14	+\$5773
Price Category D	+\$714
Price Category (Geiger) D	+\$736
Price Category E	+\$894
Price Category (Geiger) E	+\$894
Price Category F	+\$1073
Price Category (Geiger) F	+\$1073
Price Category G	+\$646
Price Category (Geiger) G	+\$1469
Price Category (Geiger) H	+\$1462
Price Category (Geiger) I	+\$1819
Price Category (Geiger) K	+\$2575
Price Category (Geiger) L	+\$2953
Price Category (Geiger) M	+\$3331
Price Category (Geiger) R	+\$7775
Price Category (Geiger) COL A	+\$734
Price Category (Geiger) COM A	+\$0

For arm 1 side (A) with quilted (Q)

Price Category (Geiger) 11	+\$4403
Price Category 1	+\$0
Price Category 2	+\$494
Price Category (Geiger) 2	+\$494
Price Category 3	+\$622
Price Category (Geiger) 3	+\$622
Price Category 4	+\$757
Price Category (Geiger) 4	+\$757
Price Category 5	+\$1104
Price Category (Geiger) 5	+\$1104
Price Category (Geiger) 6	+\$1451
Price Category 7	+\$1798
Price Category (Geiger) 7	+\$1798
Price Category (Geiger) 8	+\$2753
Price Category 9	+\$3415
Price Category (Geiger) 9	+\$3418
Price Category (Geiger) 10	+\$3930
Price Category 14	+\$5773
Price Category D	+\$714
Price Category (Geiger) D	+\$736
Price Category F	+\$1073
Price Category (Geiger) F	+\$1073
Price Category G	+\$646
Price Category (Geiger) G	+\$1469
Price Category (Geiger) H	+\$1819
Price Category (Geiger) K	+\$2953
Price Category (Geiger) L	+\$3331
Price Category (Geiger) M	+\$3710
Price Category (Geiger) R	+\$7775
Price Category (Geiger) COL A	+\$734
Price Category (Geiger) COM A	+\$0

For corner 1 side (C) with not quilted (N)

Price Category (Geiger) 1	+\$0
Price Category (Geiger) 11	+\$4792
Price Category P	+\$4385
Price Category 1	+\$0
Price Category 2	+\$539
Price Category (Geiger) 2	+\$539
Price Category 3	+\$676
Price Category (Geiger) 3	+\$676
Price Category 4	+\$823
Price Category (Geiger) 4	+\$823
Price Category 5	+\$1201
Price Category (Geiger) 5	+\$1201
Price Category (Geiger) 6	+\$1579

Tuxedo Component Lounge with Table - Two Seats *continued*

Price Category 7	+\$1956
Price Category (Geiger) 7	+\$1956
Price Category (Geiger) 8	+\$2996
Price Category 9	+\$3716
Price Category (Geiger) 9	+\$3719
Price Category (Geiger) 10	+\$4277
Price Category 14	+\$6283
Price Category D	+\$778
Price Category (Geiger) D	+\$802
Price Category E	+\$972
Price Category (Geiger) E	+\$972
Price Category F	+\$1168
Price Category (Geiger) F	+\$1168
Price Category G	+\$646
Price Category (Geiger) G	+\$1598
Price Category (Geiger) H	+\$1978
Price Category (Geiger) I	+\$2389
Price Category (Geiger) J	+\$2801
Price Category (Geiger) K	+\$3212
Price Category (Geiger) L	+\$3624
Price Category (Geiger) M	+\$4036
Price Category (Geiger) R	+\$8461
Price Category (Geiger) COL A	+\$799
Price Category (Geiger) COM A	+\$0

For corner 1 side (C) with quilted (Q)

Price Category (Geiger) 1	+\$0
Price Category (Geiger) 11	+\$4792
Price Category 1	+\$0
Price Category 2	+\$539
Price Category (Geiger) 2	+\$539
Price Category 3	+\$676
Price Category (Geiger) 3	+\$676
Price Category 4	+\$823
Price Category (Geiger) 4	+\$823
Price Category 5	+\$1201
Price Category (Geiger) 5	+\$1201
Price Category (Geiger) 6	+\$1579
Price Category 7	+\$1956
Price Category (Geiger) 7	+\$1956
Price Category (Geiger) 8	+\$2996
Price Category 9	+\$3716
Price Category (Geiger) 9	+\$3719
Price Category (Geiger) 10	+\$4277
Price Category 14	+\$6283
Price Category D	+\$778
Price Category (Geiger) D	+\$802
Price Category F	+\$1168
Price Category (Geiger) F	+\$1168
Price Category G	+\$646
Price Category (Geiger) G	+\$1598
Price Category (Geiger) H	+\$1978
Price Category (Geiger) K	+\$3212
Price Category (Geiger) L	+\$3624
Price Category (Geiger) M	+\$4036
Price Category (Geiger) R	+\$8461
Price Category (Geiger) COL A	+\$799
Price Category (Geiger) COM A	+\$0

For no arms (N) with not quilted (N)

Price Category (Geiger) 11	+\$3886
Price Category P	+\$1778
Price Category 1	+\$0
Price Category 2	+\$437
Price Category (Geiger) 2	+\$437
Price Category 3	+\$548
Price Category (Geiger) 3	+\$548
Price Category 4	+\$668
Price Category (Geiger) 4	+\$668
Price Category 5	+\$974
Price Category (Geiger) 5	+\$974
Price Category (Geiger) 6	+\$1280

HermanMiller Ancillary-Lounge Seating

Tuxedo Component Lounge with
Table - Two Seats *continued*

HermanMiller Ancillary-Lounge Seating

Price Category 7	+\$1586
Price Category (Geiger) 7	+\$1586
Price Category (Geiger) 8	+\$2429
Price Category 9	+\$3014
Price Category (Geiger) 9	+\$3016
Price Category (Geiger) 10	+\$3468
Price Category 14	+\$5094
Price Category D	+\$546
Price Category (Geiger) D	+\$563
Price Category E	+\$790
Price Category (Geiger) E	+\$790
Price Category F	+\$946
Price Category (Geiger) F	+\$946
Price Category G	+\$646
Price Category (Geiger) G	+\$1296
Price Category (Geiger) H	+\$1604
Price Category (Geiger) I	+\$1939
Price Category (Geiger) K	+\$2606
Price Category (Geiger) L	+\$2940
Price Category (Geiger) M	+\$3274
Price Category (Geiger) R	+\$6860
Price Category (Geiger) COL <input type="checkbox"/> A	+\$648
Price Category (Geiger) COM <input type="checkbox"/> A	+\$0

For no arms (N) with quilted (Q)

Price Category (Geiger) 11	+\$3886
Price Category 1	+\$0
Price Category 2	+\$437
Price Category (Geiger) 2	+\$437
Price Category 3	+\$548
Price Category (Geiger) 3	+\$548
Price Category 4	+\$668
Price Category (Geiger) 4	+\$668
Price Category 5	+\$974
Price Category (Geiger) 5	+\$974
Price Category (Geiger) 6	+\$1280
Price Category 7	+\$1586
Price Category (Geiger) 7	+\$1586
Price Category (Geiger) 8	+\$2429
Price Category 9	+\$3014
Price Category (Geiger) 9	+\$3016
Price Category (Geiger) 10	+\$3468
Price Category 14	+\$5094
Price Category D	+\$546
Price Category (Geiger) D	+\$563
Price Category F	+\$946
Price Category (Geiger) F	+\$946
Price Category G	+\$646
Price Category (Geiger) G	+\$1296
Price Category (Geiger) H	+\$1604
Price Category (Geiger) K	+\$2606
Price Category (Geiger) L	+\$2940
Price Category (Geiger) M	+\$3274
Price Category (Geiger) R	+\$6860
Price Category (Geiger) COL <input type="checkbox"/> A	+\$648
Price Category (Geiger) COM <input type="checkbox"/> A	+\$0

Step 7. Base Finish

926 black <input type="checkbox"/> A	+\$0
AS arctic silver <input type="checkbox"/> A	+\$0
WHT white <input type="checkbox"/> A	+\$0
CHR chrome <input type="checkbox"/> A	+\$0
SAC satin chrome <input type="checkbox"/> A	+\$0

Step 8. Fire Retardancy

For arm 1 side (A)

NOCAL no cal-133 required <input type="checkbox"/> A	+\$0
---	------

For corner 1 side (C)

NOCAL no cal-133 required <input type="checkbox"/> A	+\$0
---	------

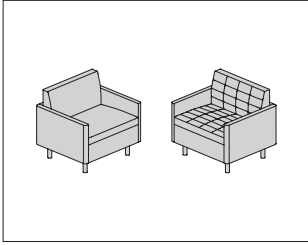
Tuxedo Component Lounge with
Table - Two Seats *continued*

For no arms (N)

NOCAL no cal-133 required A +\$0

Tuxedo Classic Club Chair

SZ1AB



HermanMiller Ancillary-Lounge Seating

Product Information

Description

This club chair has solid wood legs with cushions made of polyfoam and DACRON®. Cushions are quilted or not quilted. Fire retardant chair meets CAL 133 requirements.

Notes

Customer's Own Material (COM)/Customer's Own Leather (COL) requires the following:

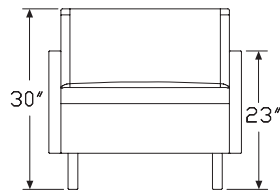
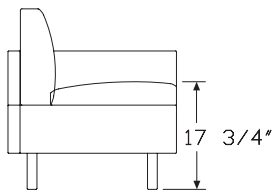
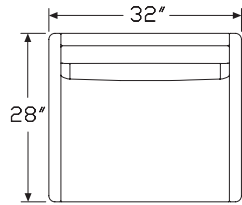
Type—COM—COL

Not quilted—6½ yards—117 square feet

Quilted—6½ yards—117 square feet

See Order Information in Appendices for more information.

Dimensions



Specification Information

Step 1.

SZ1 A

Step 2. Arms

AB arms on left and right A

Step 3. Upholstery Type

N not quilted A

Q quilted A

Prices for Steps 1-3.

SZ1AB N	\$3483
Q	\$3668

Step 4. Fabric

For not quilted (N)

Price Category (Geiger) 11	+\$3367
Price Category P	+\$3081
Price Category (Geiger) 1	+\$0
Price Category 1	+\$0
Price Category (Geiger) 2	+\$379
Price Category 2	+\$379
Price Category (Geiger) 3	+\$475
Price Category 3	+\$475
Price Category (Geiger) 4	+\$580
Price Category 4	+\$580
Price Category (Geiger) 5	+\$845
Price Category 5	+\$845
Price Category (Geiger) 6	+\$1109
Price Category (Geiger) 7	+\$1375
Price Category (Geiger) 8	+\$2106
Price Category (Geiger) 9	+\$2612
Price Category 9	+\$2612
Price Category (Geiger) 10	+\$3005
Price Category 14	+\$4415
Price Category (Geiger) D	+\$563
Price Category D	+\$546
Price Category (Geiger) E	+\$684
Price Category E	+\$684
Price Category (Geiger) F	+\$820
Price Category F	+\$820
Price Category (Geiger) G	+\$1118
Price Category G	+\$1118
Price Category (Geiger) H	+\$1391
Price Category (Geiger) I	+\$1680

Tuxedo Classic Club Chair *continued*

Price Category (Geiger) J	+\$1969
Price Category (Geiger) K	+\$2258
Price Category (Geiger) L	+\$2548
Price Category (Geiger) M	+\$2837
Price Category (Geiger) R	+\$5946
Price Category (Geiger) COM A	+\$0
Price Category (Geiger) COL A	+\$562

For quilted (Q)

Price Category (Geiger) 11	+\$3367
Price Category (Geiger) 1	+\$0
Price Category 1	+\$0
Price Category 2	+\$379
Price Category (Geiger) 2	+\$379
Price Category 3	+\$475
Price Category (Geiger) 3	+\$475
Price Category 4	+\$580
Price Category (Geiger) 4	+\$580
Price Category 5	+\$845
Price Category (Geiger) 5	+\$845
Price Category (Geiger) 6	+\$1109
Price Category (Geiger) 7	+\$1375
Price Category (Geiger) 8	+\$2106
Price Category 9	+\$2612
Price Category (Geiger) 9	+\$2612
Price Category (Geiger) 10	+\$3005
Price Category 11	+\$3367
Price Category 14	+\$4415
Price Category D	+\$546
Price Category (Geiger) D	+\$563
Price Category F	+\$820
Price Category (Geiger) F	+\$820
Price Category G	+\$1118
Price Category (Geiger) G	+\$1118
Price Category (Geiger) H	+\$1391
Price Category (Geiger) I	+\$1680
Price Category (Geiger) K	+\$2258
Price Category (Geiger) L	+\$2548
Price Category (Geiger) M	+\$2837
Price Category (Geiger) R	+\$5946
Price Category (Geiger) COL A	+\$562
Price Category (Geiger) COM A	+\$0

Step 5. Base Finish

68W	recograin walnut, flat cut, matte sheen A	+\$0
69W	recograin walnut, quarter cut, matte sheen A	+\$0
98W	recograin walnut, flat cut, low sheen A	+\$0
99W	recograin walnut, quarter cut, low sheen A	+\$0
932	sundance anigre A	+\$0
933	caramel anigre A	+\$0
934	henna anigre A	+\$0
940	sundance cherry on maple A	+\$0
962	toasted walnut, low sheen A	+\$0
963	charred walnut, low sheen A	+\$0
964	bronzed walnut, low sheen A	+\$0
965	smoked walnut, low sheen A	+\$0
966	coffee walnut, low sheen A	+\$0
967	smoked paldao, low sheen A	+\$0
969	warm paldao, low sheen A	+\$0
972	sundance walnut A	+\$0
977	chocolate ash, low sheen A	+\$0
98R	recograin rosewood A	+\$0
991	champagne ash A	+\$0
99A	recograin frosty ash A	+\$0
99R	recograin rosewood A	+\$0
99T	recograin teak A	+\$0
9A1	white ash, quarter cut, low sheen A	+\$0
9K1	rift oak, rift cut, low sheen A	+\$0
9K6	burnt oak, rift cut, low sheen A	+\$0
G2U	light brown walnut, low sheen A	+\$0
G40	dark brown walnut, low sheen A	+\$0
943	caramel cherry A	+\$0
946	cocoa cherry A	+\$0
956	cocoa sapele A	+\$0
998	ebony ash A	+\$0

Tuxedo Classic Club Chair *continued*

HermanMiller Ancillary-Lounge Seating

Matte Finishes

662	toasted walnut, matte sheen <input type="checkbox"/> A	+\$0
663	charred walnut, matte sheen <input type="checkbox"/> A	+\$0
664	bronzed walnut, matte sheen <input type="checkbox"/> A	+\$0
665	smoked walnut, matte sheen <input type="checkbox"/> A	+\$0
666	coffee walnut, matte sheen <input type="checkbox"/> A	+\$0
667	smoked paldao, quarter cut, matte sheen <input type="checkbox"/> A	+\$0
669	warm paldao, quarter cut, matte sheen <input type="checkbox"/> A	+\$0
66A	recograin frosty ash <input type="checkbox"/> A	+\$0
677	chocolate ash, matte sheen <input type="checkbox"/> A	+\$0
68R	recograin rosewood <input type="checkbox"/> A	+\$0
69A	recograin frosty ash <input type="checkbox"/> A	+\$0
69R	recograin rosewood <input type="checkbox"/> A	+\$0
69T	recograin teak <input type="checkbox"/> A	+\$0
6K1	rift oak <input type="checkbox"/> A	+\$0
ET	clear on ash <input type="checkbox"/> A	+\$0
EU	oak on ash <input type="checkbox"/> A	+\$0
EV	walnut on ash <input type="checkbox"/> A	+\$0
GOU	natural walnut, flat cut, matte sheen <input type="checkbox"/> A	+\$0
6A1	white ash <input type="checkbox"/> A	+\$0
6K6	burnt oak <input type="checkbox"/> A	+\$0

Step 6. Fire Retardancy

NOCAL	no cal-133 required <input type="checkbox"/> A	+\$0
--------------	--	------

Striad High-Back Lounge Chair, CCL100 4-Star Base



Product Information

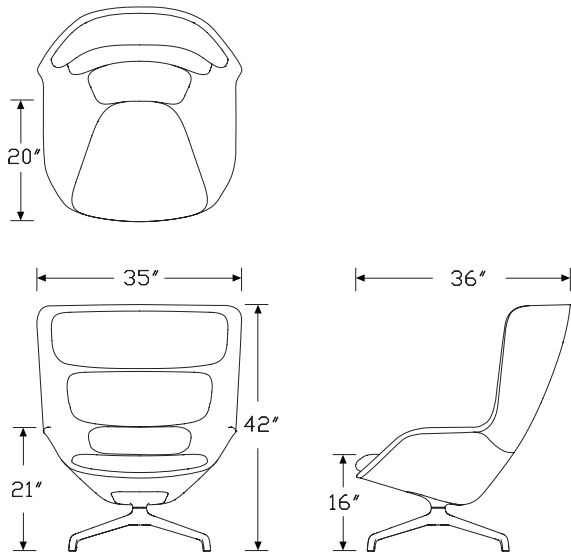
Description

This lounge chair has a high back, dual density foam cushions, and a 4-star aluminum base with a swivel-return feature. The outer shell provides rigidity and support while the inner shell provides flexibility for added movement and comfort.

Notes

Customer's Own Material (COM) requires 5 yards (2½ yards for shell, 2½ yards for cushions). Customer's Own Leather (COL) requires 90 square feet (45 sq ft for shell, 45 sq ft for cushions). See Order Information in appendices.

Dimensions



Specification Information

Step 1.

CCL100. A

Step 2. Base

S swivel, auto return A

Prices for Steps 1-2.

CCL100. S \$4786

Step 3. Base Finish

91 white A +\$0

BK black A +\$0

PA polished aluminum A +\$0

Step 4. Outer Shell Finish

91 white A +\$0

BK black A +\$0

WN warm grey neutral A +\$0

Striad High-Back Lounge Chair,
4-Star Base *continued*

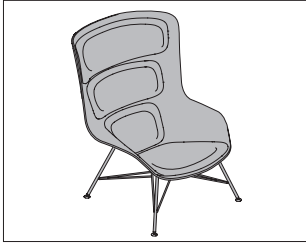
HermanMiller Ancillary-Lounge Seating

Step 5. Shell Upholstery	
Price Category 1	+\$0
Price Category 2	+\$19
Price Category 3	+\$49
Price Category (Geiger) 3	+\$49
Price Category 4	+\$109
Price Category (Geiger) 4	+\$109
Price Category 5	+\$179
Price Category (Geiger) 5	+\$185
Price Category (Geiger) 6	+\$258
Price Category 7	+\$1026
Price Category (Geiger) 7	+\$343
Price Category 8	+\$451
Price Category (Geiger) 8	+\$451
Price Category 9	+\$546
Price Category 10	+\$674
Price Category (Geiger) 10	+\$674
Price Category 11	+\$762
Price Category (Geiger) 11	+\$786
Price Category B	+\$91
Price Category (Geiger) C	+\$156
Price Category D	+\$162
Price Category F	+\$384
Price Category G	+\$510
Price Category H	+\$631
Price Category I	+\$750
Price Category J	+\$871
Price Category R	+\$1118

Step 6. Cushion Upholstery	
Price Category 1	+\$0
Price Category 2	+\$19
Price Category 3	+\$49
Price Category (Geiger) 3	+\$49
Price Category 4	+\$109
Price Category (Geiger) 4	+\$109
Price Category 5	+\$179
Price Category (Geiger) 5	+\$185
Price Category (Geiger) 6	+\$258
Price Category 7	+\$1026
Price Category (Geiger) 7	+\$343
Price Category 8	+\$451
Price Category (Geiger) 8	+\$451
Price Category 9	+\$546
Price Category 10	+\$674
Price Category (Geiger) 10	+\$674
Price Category 11	+\$762
Price Category (Geiger) 11	+\$786
Price Category B	+\$91
Price Category (Geiger) C	+\$115
Price Category D	+\$162
Price Category F	+\$223
Price Category G	+\$510
Price Category H	+\$631
Price Category I	+\$750
Price Category J	+\$871
Price Category R	+\$1118

Step 7. Fire Retardancy		
NFR	not fire retardant <input type="checkbox"/> A	+\$0
FR	fire retardant <input type="checkbox"/> A	+\$375

Striad High-Back Lounge Chair, CCL101 Wire Base



Product Information

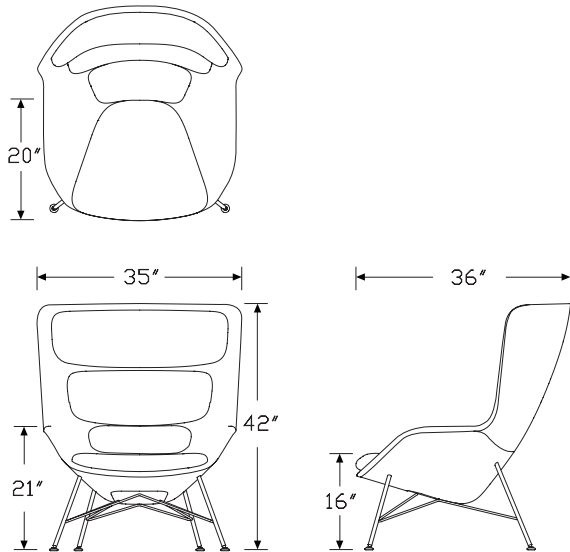
Description

This lounge chair has a high back, dual density foam cushions, and a 4-leg wire base. The outer shell provides rigidity and support while the inner shell provides flexibility for added movement and comfort.

Notes

Customer's Own Material (COM) requires 5 yards (2½ yards for shell, 2½ yards for cushions). Customer's Own Leather (COL) requires 90 square feet (45 sq ft for shell, 45 sq ft for cushions). See Order Information in appendices.

Dimensions



Specification Information

Step 1.

CCL101. A \$4476

Step 2. Base Finish

47 trivalent chrome A +\$0
91 white A +\$0
BK black A +\$0

Step 3. Outer Shell Finish

91 white A +\$0
BK black A +\$0
WN warm grey neutral A +\$0

Step 4. Shell Upholstery

Price Category 1 +\$0
 Price Category 2 +\$19
 Price Category 3 +\$49
 Price Category (Geiger) 3 +\$49
 Price Category 4 +\$109
 Price Category (Geiger) 4 +\$109
 Price Category 5 +\$179
 Price Category (Geiger) 5 +\$185
 Price Category (Geiger) 6 +\$258
 Price Category 7 +\$1026
 Price Category (Geiger) 7 +\$343
 Price Category 8 +\$810
 Price Category (Geiger) 8 +\$451
 Price Category 9 +\$546
 Price Category 10 +\$674
 Price Category (Geiger) 10 +\$674
 Price Category 11 +\$762
 Price Category (Geiger) 11 +\$786
 Price Category B +\$91
 Price Category (Geiger) C +\$156
 Price Category D +\$162
 Price Category F +\$384
 Price Category G +\$510
 Price Category H +\$631
 Price Category I +\$750
 Price Category J +\$871
 Price Category R +\$1118

Striad High-Back Lounge Chair,
Wire Base *continued*

HermanMiller Ancillary-Lounge Seating

Step 5. Cushion Upholstery		
Price Category 1		+\$0
Price Category 2		+\$19
Price Category 3		+\$49
Price Category (Geiger) 3		+\$49
Price Category 4		+\$109
Price Category (Geiger) 4		+\$109
Price Category 5		+\$179
Price Category (Geiger) 5		+\$185
Price Category (Geiger) 6		+\$258
Price Category 7		+\$1026
Price Category (Geiger) 7		+\$343
Price Category 8		+\$810
Price Category (Geiger) 8		+\$451
Price Category 9		+\$546
Price Category 10		+\$674
Price Category (Geiger) 10		+\$674
Price Category 11		+\$762
Price Category (Geiger) 11		+\$786
Price Category B		+\$91
Price Category (Geiger) C		+\$115
Price Category D		+\$162
Price Category F		+\$223
Price Category G		+\$510
Price Category H		+\$631
Price Category I		+\$750
Price Category J		+\$871
Price Category R		+\$1118
Step 6. Fire Retardancy		
NFR	not fire retardant <input type="checkbox"/> A	+\$0
FR	fire retardant <input type="checkbox"/> A	+\$375

**Striad Mid-Back Lounge Chair, CCL200
4-Star Base**



Product Information

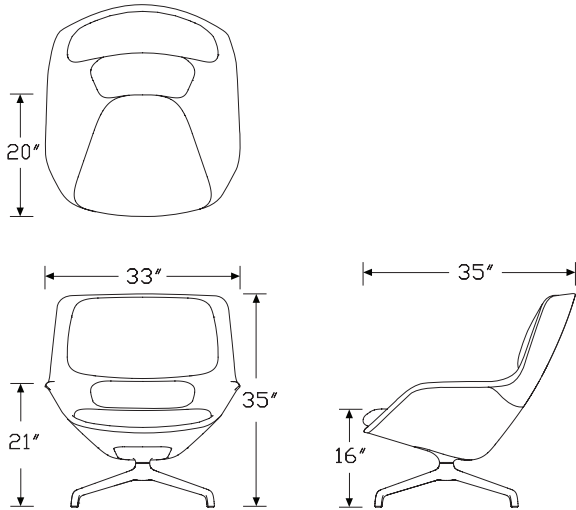
Description

This lounge chair has a mid back, dual density foam cushions, and a 4-star aluminum base with a swivel-return feature. The outer shell provides rigidity and support while the inner shell provides flexibility for added movement and comfort.

Notes

Customer's Own Material (COM) requires 3½ yards (1¾ yards for shell, 1¾ yards for cushions). Customer's Own Leather (COL) requires 63 square feet (31½ sq ft for shell, 31½ sq ft for cushions). See Order Information in appendices.

Dimensions



Specification Information

Step 1.

CCL200. A

Step 2. Base

S swivel, auto return A

Prices for Steps 1-2.

CCL200. S \$4221

Step 3. Base Finish

91 white A +\$0

BK black A +\$0

PA polished aluminum A +\$0

Step 4. Outer Shell Finish

91 white A +\$0

BK black A +\$0

WN warm grey neutral A +\$0

Striad Mid-Back Lounge Chair,
4-Star Base *continued*

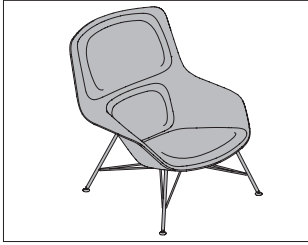
HermanMiller Ancillary-Lounge Seating

Step 5. Shell Upholstery	
Price Category 1	+\$0
Price Category 2	+\$13
Price Category 3	+\$34
Price Category (Geiger) 3	+\$34
Price Category 4	+\$77
Price Category (Geiger) 4	+\$77
Price Category 5	+\$122
Price Category (Geiger) 5	+\$127
Price Category (Geiger) 6	+\$178
Price Category 7	+\$719
Price Category (Geiger) 7	+\$240
Price Category 8	+\$406
Price Category (Geiger) 8	+\$317
Price Category 9	+\$383
Price Category 10	+\$473
Price Category (Geiger) 10	+\$473
Price Category 11	+\$534
Price Category (Geiger) 11	+\$551
Price Category B	+\$64
Price Category (Geiger) C	+\$109
Price Category D	+\$294
Price Category F	+\$269
Price Category G	+\$358
Price Category H	+\$442
Price Category I	+\$526
Price Category J	+\$610
Price Category R	+\$782

Step 6. Cushion Upholstery	
Price Category 1	+\$0
Price Category 2	+\$13
Price Category 3	+\$34
Price Category (Geiger) 3	+\$34
Price Category 4	+\$77
Price Category (Geiger) 4	+\$77
Price Category 5	+\$122
Price Category (Geiger) 5	+\$127
Price Category (Geiger) 6	+\$178
Price Category 7	+\$719
Price Category (Geiger) 7	+\$240
Price Category 8	+\$568
Price Category (Geiger) 8	+\$317
Price Category 9	+\$383
Price Category 10	+\$473
Price Category (Geiger) 10	+\$473
Price Category 11	+\$534
Price Category (Geiger) 11	+\$551
Price Category B	+\$64
Price Category (Geiger) C	+\$100
Price Category D	+\$294
Price Category F	+\$191
Price Category G	+\$358
Price Category H	+\$442
Price Category I	+\$526
Price Category J	+\$610
Price Category R	+\$782

Step 7. Fire Retardancy		
NFR	not fire retardant <input type="checkbox"/> A	+\$0
FR	fire retardant <input type="checkbox"/> A	+\$275

Striad Mid-Back Lounge Chair, CCL201
Wire Base



Product Information

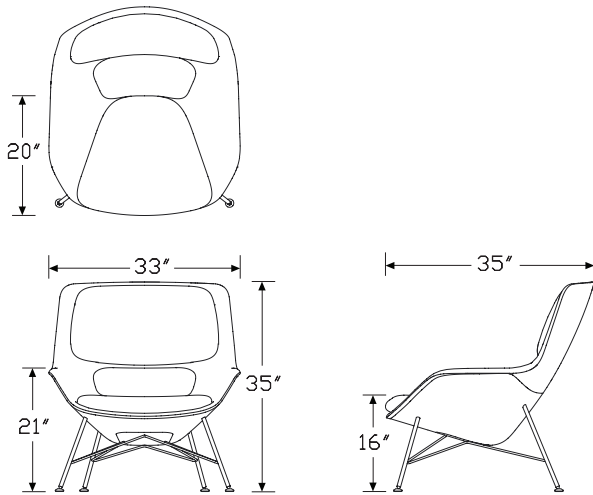
Description

This lounge chair has a mid back, dual density foam cushions, and a 4-leg wire base. The outer shell provides rigidity and support while the inner shell provides flexibility for added movement and comfort.

Notes

Customer's Own Material (COM) requires 3½ yards (1¾ yards for shell, 1¾ yards for cushions). Customer's Own Leather (COL) requires 63 square feet (31½ sq ft for shell, 31½ sq ft for cushions). See Order Information in appendices.

Dimensions



Specification Information

Step 1.

CCL201. A \$3913

Step 2. Base Finish

47 trivalent chrome A +\$0
91 white A +\$0
BK black A +\$0

Step 3. Outer Shell Finish

91 white A +\$0
BK black A +\$0
WN warm grey neutral A +\$0

Step 4. Shell Upholstery

Price Category 1 +\$0
 Price Category 2 +\$13
 Price Category 3 +\$34
 Price Category (Geiger) 3 +\$34
 Price Category 4 +\$77
 Price Category (Geiger) 4 +\$77
 Price Category 5 +\$122
 Price Category (Geiger) 5 +\$127
 Price Category (Geiger) 6 +\$178
 Price Category 7 +\$719
 Price Category (Geiger) 7 +\$240
 Price Category 8 +\$317
 Price Category (Geiger) 8 +\$317
 Price Category 9 +\$383
 Price Category 10 +\$473
 Price Category (Geiger) 10 +\$473
 Price Category 11 +\$534
 Price Category (Geiger) 11 +\$551
 Price Category B +\$64
 Price Category (Geiger) C +\$109
 Price Category D +\$294
 Price Category F +\$269
 Price Category G +\$358
 Price Category H +\$442
 Price Category I +\$526
 Price Category J +\$610
 Price Category R +\$782

Striad Mid-Back Lounge Chair,
Wire Base *continued*

HermanMiller Ancillary-Lounge Seating

Step 5. Cushion Upholstery		
Price Category 1		+\$0
Price Category 2		+\$13
Price Category 3		+\$34
Price Category (Geiger) 3		+\$34
Price Category 4		+\$77
Price Category (Geiger) 4		+\$77
Price Category 5		+\$122
Price Category (Geiger) 5		+\$127
Price Category (Geiger) 6		+\$178
Price Category 7		+\$719
Price Category (Geiger) 7		+\$240
Price Category 8		+\$317
Price Category (Geiger) 8		+\$317
Price Category 9		+\$383
Price Category 10		+\$473
Price Category (Geiger) 10		+\$473
Price Category 11		+\$534
Price Category (Geiger) 11		+\$551
Price Category B		+\$64
Price Category (Geiger) C		+\$100
Price Category D		+\$294
Price Category F		+\$191
Price Category G		+\$358
Price Category H		+\$442
Price Category I		+\$526
Price Category J		+\$610
Price Category R		+\$782
Step 6. Fire Retardancy		
NFR	not fire retardant <input type="checkbox"/> A	+\$0
FR	fire retardant <input type="checkbox"/> A	+\$275

Striad Low-Back Lounge Chair, CCL300
4-Star Base



Product Information

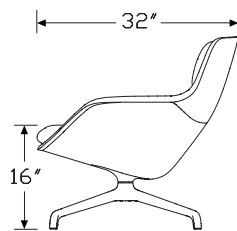
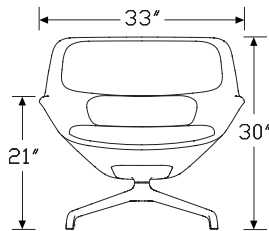
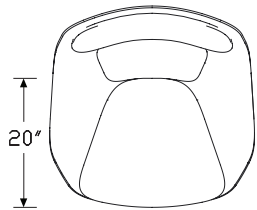
Description

This lounge chair has a low back, dual density foam cushions, and a 4-star aluminum base with a swivel-return feature. The outer shell provides rigidity and support while the inner shell provides flexibility for added movement and comfort.

Notes

Customer's Own Material (COM) requires 3½ yards (1¾ yards for shell, 1¾ yards for cushions). Customer's Own Leather (COL) requires 63 square feet (31½ sq ft for shell, 31½ sq ft for cushions). See Order Information in appendices.

Dimensions



Specification Information

Step 1.

CCL300. A

Step 2. Base

S swivel, auto return A

Prices for Steps 1-2.

CCL300. S \$3970

Step 3. Base Finish

91 white A +\$0

BK black A +\$0

PA polished aluminum A +\$0

Step 4. Outer Shell Finish

91 white A +\$0

BK black A +\$0

WN warm grey neutral A +\$0

Striad Low-Back Lounge Chair,
4-Star Base *continued*

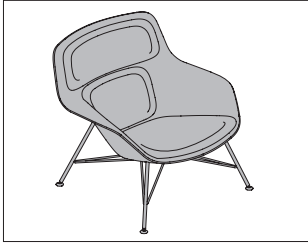
HermanMiller Ancillary-Lounge Seating

Step 5. Shell Upholstery	
Price Category 1	+\$0
Price Category 2	+\$13
Price Category 3	+\$31
Price Category (Geiger) 3	+\$31
Price Category 4	+\$71
Price Category (Geiger) 4	+\$71
Price Category 5	+\$110
Price Category (Geiger) 5	+\$114
Price Category (Geiger) 6	+\$146
Price Category 7	+\$719
Price Category (Geiger) 7	+\$223
Price Category 8	+\$284
Price Category (Geiger) 8	+\$294
Price Category 9	+\$355
Price Category 10	+\$473
Price Category (Geiger) 10	+\$438
Price Category 11	+\$496
Price Category (Geiger) 11	+\$511
Price Category B	+\$60
Price Category (Geiger) C	+\$109
Price Category D	+\$294
Price Category F	+\$269
Price Category G	+\$331
Price Category H	+\$410
Price Category I	+\$526
Price Category J	+\$566
Price Category R	+\$782

Step 6. Cushion Upholstery	
Price Category 1	+\$0
Price Category 2	+\$13
Price Category 3	+\$31
Price Category (Geiger) 3	+\$31
Price Category 4	+\$71
Price Category (Geiger) 4	+\$71
Price Category 5	+\$110
Price Category (Geiger) 5	+\$114
Price Category (Geiger) 6	+\$146
Price Category 7	+\$719
Price Category (Geiger) 7	+\$223
Price Category 8	+\$284
Price Category (Geiger) 8	+\$294
Price Category 9	+\$355
Price Category 10	+\$473
Price Category (Geiger) 10	+\$438
Price Category 11	+\$496
Price Category (Geiger) 11	+\$511
Price Category B	+\$60
Price Category (Geiger) C	+\$100
Price Category D	+\$294
Price Category F	+\$191
Price Category G	+\$331
Price Category H	+\$410
Price Category I	+\$526
Price Category J	+\$566
Price Category R	+\$782

Step 7. Fire Retardancy		
NFR	not fire retardant <input type="checkbox"/> A	+\$0
FR	fire retardant <input type="checkbox"/> A	+\$250

Striad Low-Back Lounge Chair, CCL301 Wire Base



Product Information

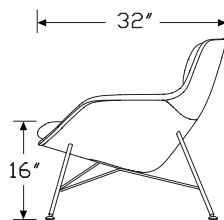
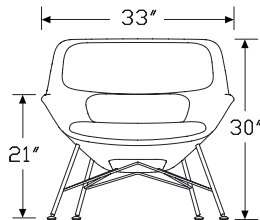
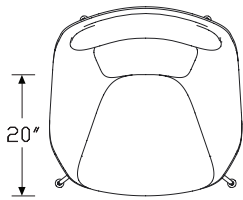
Description

This lounge chair has a low back, dual density foam cushions, and a 4-leg wire base. The outer shell provides rigidity and support while the inner shell provides flexibility for added movement and comfort.

Notes

Customer's Own Material (COM) requires 3½ yards (1¾ yards for shell, 1¾ yards for cushions). Customer's Own Leather (COL) requires 63 square feet (31½ sq ft for shell, 31½ sq ft for cushions). See Order Information in appendices.

Dimensions



Specification Information

Step 1.

CCL301. A \$3657

Step 2. Base Finish

47 trivalent chrome A +\$0
91 white A +\$0
BK black A +\$0

Step 3. Outer Shell Finish

91 white A +\$0
BK black A +\$0
WN warm grey neutral A +\$0

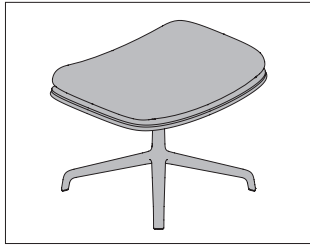
Step 4. Shell Upholstery

Price Category 1 +\$0
 Price Category 2 +\$13
 Price Category 3 +\$31
 Price Category (Geiger) 3 +\$31
 Price Category 4 +\$71
 Price Category (Geiger) 4 +\$71
 Price Category 5 +\$110
 Price Category (Geiger) 5 +\$114
 Price Category (Geiger) 6 +\$146
 Price Category 7 +\$719
 Price Category (Geiger) 7 +\$223
 Price Category 8 +\$284
 Price Category (Geiger) 8 +\$294
 Price Category 9 +\$355
 Price Category 10 +\$473
 Price Category (Geiger) 10 +\$438
 Price Category 11 +\$496
 Price Category (Geiger) 11 +\$511
 Price Category B +\$60
 Price Category (Geiger) C +\$109
 Price Category D +\$294
 Price Category F +\$269
 Price Category G +\$331
 Price Category H +\$410
 Price Category I +\$526
 Price Category J +\$566
 Price Category R +\$782

Striad Low-Back Lounge Chair,
Wire Base *continued*

HermanMiller Ancillary-Lounge Seating

Step 5. Cushion Upholstery		
Price Category 1		+\$0
Price Category 2		+\$13
Price Category 3		+\$31
Price Category (Geiger) 3		+\$31
Price Category 4		+\$71
Price Category (Geiger) 4		+\$71
Price Category 5		+\$110
Price Category (Geiger) 5		+\$114
Price Category (Geiger) 6		+\$146
Price Category 7		+\$719
Price Category (Geiger) 7		+\$223
Price Category 8		+\$284
Price Category (Geiger) 8		+\$294
Price Category 9		+\$355
Price Category 10		+\$473
Price Category (Geiger) 10		+\$438
Price Category 11		+\$496
Price Category (Geiger) 11		+\$511
Price Category B		+\$60
Price Category (Geiger) C		+\$100
Price Category D		+\$294
Price Category F		+\$191
Price Category G		+\$331
Price Category H		+\$410
Price Category I		+\$526
Price Category J		+\$566
Price Category R		+\$782
Step 6. Fire Retardancy		
NFR	not fire retardant <input type="checkbox"/> A	+\$0
FR	fire retardant <input type="checkbox"/> A	+\$250



Product Information

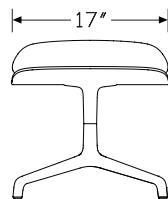
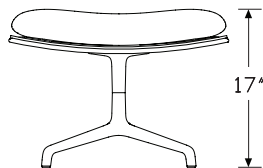
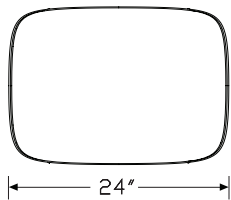
Description

This ottoman has a 4-star fixed aluminum base.

Notes

Customer's Own Material (COM) requires 2 yards (1 yard for shell, 1 yard for cushion). Customer's Own Leather (COL) requires 36 square feet (18 sq ft for shell, 18 sq ft for cushions). See Order Information in appendices.

Dimensions



Specification Information

Step 1.

CCL400. A \$1552

Step 2. Base Finish

91 white A +\$0
BK black A +\$0
PA polished aluminum A +\$0

Step 3. Shell Upholstery

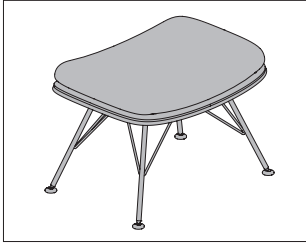
Price Category 1 +\$0
 Price Category 2 +\$8
 Price Category 3 +\$20
 Price Category (Geiger) 3 +\$20
 Price Category 4 +\$44
 Price Category (Geiger) 4 +\$44
 Price Category 5 +\$68
 Price Category (Geiger) 5 +\$71
 Price Category (Geiger) 6 +\$90
 Price Category 7 +\$410
 Price Category (Geiger) 7 +\$138
 Price Category 8 +\$82
 Price Category (Geiger) 8 +\$181
 Price Category 9 +\$218
 Price Category 10 +\$270
 Price Category (Geiger) 10 +\$270
 Price Category 11 +\$305
 Price Category (Geiger) 11 +\$314
 Price Category B +\$37
 Price Category (Geiger) C +\$38
 Price Category D +\$168
 Price Category F +\$154
 Price Category G +\$204
 Price Category H +\$253
 Price Category I +\$300
 Price Category J +\$349
 Price Category R +\$448

Striad Ottoman, 4-Star Base

continued

HermanMiller Ancillary-Lounge Seating

Step 4. Cushion Upholstery		
Price Category 1		+\$0
Price Category 2		+\$8
Price Category 3		+\$20
Price Category (Geiger) 3		+\$20
Price Category 4		+\$44
Price Category (Geiger) 4		+\$44
Price Category 5		+\$68
Price Category (Geiger) 5		+\$71
Price Category (Geiger) 6		+\$90
Price Category 7		+\$410
Price Category (Geiger) 7		+\$138
Price Category 8		+\$82
Price Category (Geiger) 8		+\$181
Price Category 9		+\$218
Price Category 10		+\$270
Price Category (Geiger) 10		+\$270
Price Category 11		+\$305
Price Category (Geiger) 11		+\$314
Price Category B		+\$37
Price Category (Geiger) C		+\$38
Price Category D		+\$168
Price Category F		+\$160
Price Category G		+\$204
Price Category H		+\$253
Price Category I		+\$300
Price Category J		+\$349
Price Category R		+\$448
Step 5. Fire Retardancy		
NFR	not fire retardant <input type="checkbox"/> A	+\$0
FR	fire retardant <input type="checkbox"/> A	+\$150



Product Information

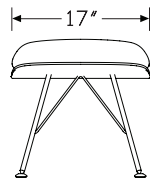
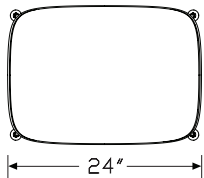
Description

This ottoman has a 4-leg wire base.

Notes

Customer's Own Material (COM) requires 2 yards (1 yard for shell, 1 yard for cushion). Customer's Own Leather (COL) requires 36 square feet (18 sq ft for shell, 18 sq ft for cushions). See Order Information in appendices.

Dimensions



Specification Information

Step 1.

CCL401. A \$1534

Step 2. Base Finish

47 trivalent chrome A +\$0
91 white A +\$0
BK black A +\$0

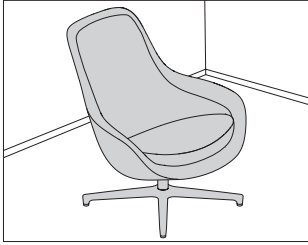
Step 3. Shell Upholstery

Price Category 1 +\$0
 Price Category 2 +\$8
 Price Category 3 +\$20
 Price Category (Geiger) 3 +\$20
 Price Category 4 +\$44
 Price Category (Geiger) 4 +\$44
 Price Category 5 +\$68
 Price Category (Geiger) 5 +\$71
 Price Category (Geiger) 6 +\$90
 Price Category 7 +\$410
 Price Category (Geiger) 7 +\$138
 Price Category 8 +\$181
 Price Category (Geiger) 8 +\$181
 Price Category 9 +\$218
 Price Category 10 +\$270
 Price Category (Geiger) 10 +\$270
 Price Category 11 +\$305
 Price Category (Geiger) 11 +\$314
 Price Category B +\$37
 Price Category (Geiger) C +\$38
 Price Category D +\$168
 Price Category F +\$154
 Price Category G +\$204
 Price Category H +\$253
 Price Category I +\$300
 Price Category J +\$349
 Price Category R +\$448

Striad Ottoman, Wire Base *continued*

HermanMiller Ancillary-Lounge Seating

Step 4. Cushion Upholstery		
Price Category 1		+\$0
Price Category 2		+\$8
Price Category 3		+\$20
Price Category (Geiger) 3		+\$20
Price Category 4		+\$44
Price Category (Geiger) 4		+\$44
Price Category 5		+\$68
Price Category (Geiger) 5		+\$71
Price Category (Geiger) 6		+\$90
Price Category 7		+\$410
Price Category (Geiger) 7		+\$138
Price Category 8		+\$181
Price Category (Geiger) 8		+\$181
Price Category 9		+\$218
Price Category 10		+\$270
Price Category (Geiger) 10		+\$270
Price Category 11		+\$305
Price Category (Geiger) 11		+\$314
Price Category B		+\$37
Price Category (Geiger) C		+\$38
Price Category D		+\$168
Price Category G		+\$204
Price Category H		+\$253
Price Category I		+\$300
Price Category J		+\$349
Price Category R		+\$448
Step 5. Fire Retardancy		
NFR	not fire retardant <input type="checkbox"/> A	+\$0
FR	fire retardant <input type="checkbox"/> A	+\$150



Product Information

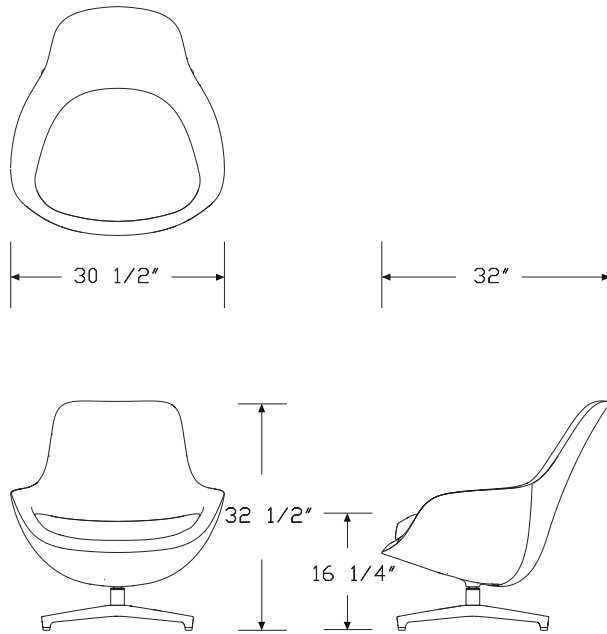
Description

This high back chair has a 4-star base with glides. Seat frame is rigid urethane with polyurethane foam. Cushion is high density foam.

Notes

Customer's Own Material (COM) requires 3½ yards. Customer's Own Leather (COL) requires 63 square feet. See Order Information in Appendices.

Dimensions



Specification Information

Step 1.

SBN5 A

Step 2. Back Height

H high back A

Prices for Steps 1-2.

SBN5H \$3668

Step 3. Upholstery

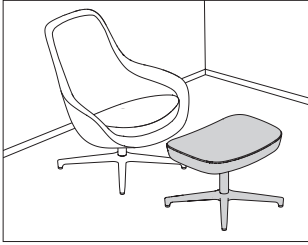
Price Category 1	+\$0
Price Category (Geiger) 1	+\$144
Price Category 2	+\$206
Price Category (Geiger) 2	+\$206
Price Category 3	+\$257
Price Category (Geiger) 3	+\$257
Price Category 4	+\$312
Price Category (Geiger) 4	+\$312
Price Category 5	+\$456
Price Category (Geiger) 5	+\$456
Price Category (Geiger) 6	+\$601
Price Category (Geiger) 7	+\$740
Price Category (Geiger) 8	+\$892
Price Category 9	+\$1408
Price Category (Geiger) 9	+\$1408
Price Category (Geiger) 10	+\$1619
Price Category 11	+\$1814
Price Category (Geiger) 11	+\$1814
Price Category (Geiger) C	+\$182
Price Category F	+\$350
Price Category (Geiger) F	+\$350
Price Category G	+\$605
Price Category (Geiger) G	+\$605
Price Category (Geiger) H	+\$750
Price Category (Geiger) R	+\$3205
Price Category (Geiger) COL <input type="checkbox"/> A	+\$227
Price Category (Geiger) COM <input type="checkbox"/> A	+\$0

Step 4. Base Finish

BK black <input type="checkbox"/> A	+\$0
CD polished aluminum <input type="checkbox"/> A	+\$0

Step 5. Fire Retardancy

NOCAL no cal-133 required A +\$0



HermanMiller Ancillary-Lounge Seating

Product Information

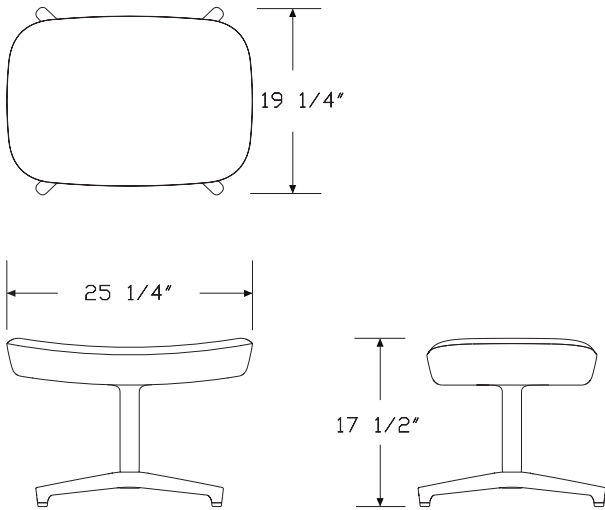
Description

This ottoman has upholstered high density foam and a 4-star base with glides.

Notes

Customer's Own Material (COM) requires 1 yard. Customer's Own Leather (COL) requires 18 square feet. See Order Information in Appendices.

Dimensions



Specification Information

Step 1.

SBN6 [A] \$1464

Step 2. Upholstery

Price Category 1	+\$0
Price Category (Geiger) 1	+\$0
Price Category 2	+\$59
Price Category (Geiger) 2	+\$59
Price Category 3	+\$73
Price Category (Geiger) 3	+\$73
Price Category 4	+\$90
Price Category (Geiger) 4	+\$90
Price Category 5	+\$131
Price Category (Geiger) 5	+\$131
Price Category (Geiger) 6	+\$172
Price Category (Geiger) 7	+\$212
Price Category (Geiger) 8	+\$324
Price Category 9	+\$402
Price Category (Geiger) 9	+\$402
Price Category (Geiger) 10	+\$463
Price Category 11	+\$518
Price Category (Geiger) 11	+\$518
Price Category (Geiger) C	+\$66
Price Category F	+\$127
Price Category (Geiger) F	+\$127
Price Category G	+\$173
Price Category (Geiger) G	+\$173
Price Category (Geiger) H	+\$215
Price Category (Geiger) R	+\$916
Price Category (Geiger) COL [A]	+\$86
Price Category (Geiger) COM [A]	+\$0

Step 3. Base Finish

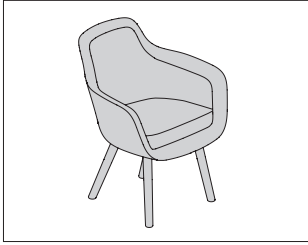
BK black [A]	+\$0
CD polished aluminum [A]	+\$0

Step 4. Fire Retardancy

NOCAL no cal-133 required [A] +\$0

Saiba Guest Chair

SBN7M



Product Information

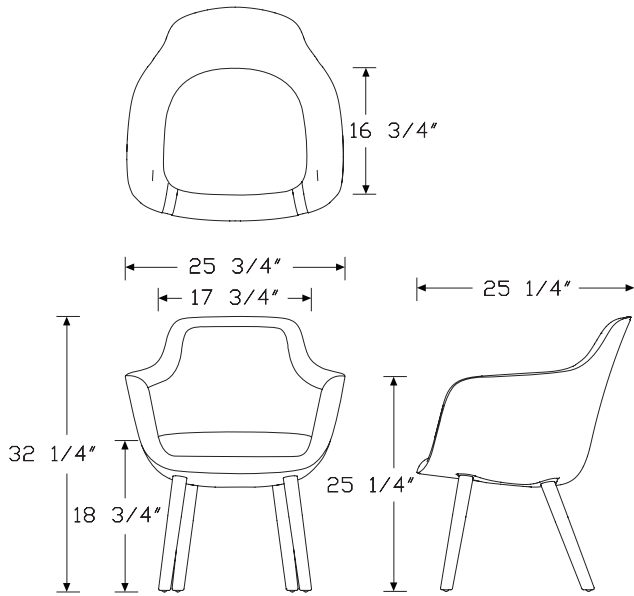
Description

This guest chair has a solid wood base available in ash or walnut. Seat frame is rigid urethane with polyurethane foam. Cushion is high density foam.

Notes

Customer's Own Material (COM) requires 2¾ yards. Customer's Own Leather (COL) requires 49½ square feet. See Order Information in Appendices.

Dimensions



Specification Information

Step 1.

SBN7 **A**

Step 2. Back Height

M mid back **A**

Step 3. Frame

A ash **A**

W walnut **A**

Prices for Steps 1-3.

SBN7M A	\$2343
W	\$2343

Step 4. Upholstery

Price Category 1	+\$0
Price Category (Geiger) 1	+\$0
Price Category 2	+\$161
Price Category (Geiger) 2	+\$161
Price Category 3	+\$200
Price Category (Geiger) 3	+\$200
Price Category 4	+\$245
Price Category (Geiger) 4	+\$245
Price Category 5	+\$358
Price Category (Geiger) 5	+\$358
Price Category (Geiger) 6	+\$473
Price Category (Geiger) 7	+\$582
Price Category (Geiger) 8	+\$892
Price Category 9	+\$1105
Price Category (Geiger) 9	+\$1105
Price Category (Geiger) 10	+\$1272
Price Category (Geiger) 11	+\$1424
Price Category (Geiger) C	+\$182
Price Category F	+\$350
Price Category (Geiger) F	+\$350
Price Category G	+\$475
Price Category (Geiger) G	+\$475
Price Category (Geiger) H	+\$589
Price Category (Geiger) R	+\$2519
Price Category (Geiger) COL <input type="checkbox"/> A	+\$179
Price Category (Geiger) COM <input type="checkbox"/> A	+\$0

Step 5. Wood Finish

Low Sheen Finishes (on Ash)

For ash (A)

967	smoked paldao, low sheen A	+\$0
969	warm paldao, low sheen A	+\$0

Low Sheen Finishes (on Ash)

For ash (A)

G2U	light brown walnut, low sheen A	+\$0
G40	dark brown walnut, low sheen A	+\$0
940	sundance cherry on maple A	+\$0
943	caramel cherry A	+\$0
946	cocoa cherry A	+\$0
956	cocoa sapele A	+\$0
962	toasted walnut, low sheen A	+\$0
963	charred walnut, low sheen A	+\$0
964	bronzed walnut, low sheen A	+\$0
965	smoked walnut, low sheen A	+\$0
966	coffee walnut, low sheen A	+\$0
977	chocolate ash, low sheen A	+\$0
98R	recograin rosewood A	+\$0
991	champagne ash A	+\$0
998	ebony ash A	+\$0
99A	recograin frosty ash A	+\$0
99R	recograin rosewood A	+\$0
99T	recograin teak A	+\$0
9A1	white ash, quarter cut, low sheen A	+\$0
9K1	rift oak, rift cut, low sheen A	+\$0
9K6	burnt oak, rift cut, low sheen A	+\$0

Matte Sheen Finishes (on Ash)

For ash (A)

66A	recograin frosty ash A	+\$0
677	chocolate ash, matte sheen A	+\$0
68R	recograin rosewood A	+\$0
69A	recograin frosty ash A	+\$0
69R	recograin rosewood A	+\$0
69T	recograin teak A	+\$0
6A1	white ash A	+\$0
6K1	rift oak A	+\$0
6K6	burnt oak A	+\$0
ET	clear on ash A	+\$0
EU	oak on ash A	+\$0
EV	walnut on ash A	+\$0
GOU	natural walnut, flat cut, matte sheen A	+\$0

Matte Sheen Finishes (on Ash)

For ash (A)

68W	recograin walnut, flat cut, matte sheen A	+\$0
69W	recograin walnut, quarter cut, matte sheen A	+\$0

Low Sheen Finishes (on Ash)

For ash (A)

98W	recograin walnut, flat cut, low sheen A	+\$0
99W	recograin walnut, quarter cut, low sheen A	+\$0

Low Sheen Finishes (on Walnut)

For walnut (W)

967	smoked paldao, low sheen A	+\$0
969	warm paldao, low sheen A	+\$0

Low Sheen Finishes (on Walnut)

For walnut (W)

G2U	light brown walnut, low sheen A	+\$0
G40	dark brown walnut, low sheen A	+\$0
962	toasted walnut, low sheen A	+\$0
963	charred walnut, low sheen A	+\$0
964	bronzed walnut, low sheen A	+\$0
965	smoked walnut, low sheen A	+\$0
966	coffee walnut, low sheen A	+\$0
972	sundance walnut A	+\$0
98R	recograin rosewood A	+\$0
99R	recograin rosewood A	+\$0

Matte Sheen Finishes (on Walnut)

For walnut (W)

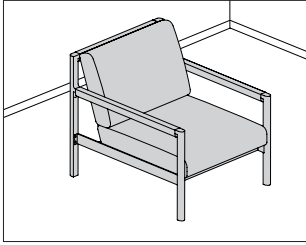
68R	recograin rosewood A	+\$0
69R	recograin rosewood A	+\$0
662	toasted walnut, matte sheen A	+\$0
663	charred walnut, matte sheen A	+\$0
664	bronzed walnut, matte sheen A	+\$0
665	smoked walnut, matte sheen A	+\$0
666	coffee walnut, matte sheen A	+\$0
667	smoked paldao, quarter cut, matte sheen A	+\$0
669	warm paldao, quarter cut, matte sheen A	+\$0
EV	walnut on ash, matte sheen A	+\$0
GOU	natural walnut, flat cut, matte sheen A	+\$0

Step 6. Fire Retardancy

NOCAL	no cal-133 required A	+\$0
--------------	---	------

Brabo Lounge Chair

SVV4A
SVV4W



Product Information

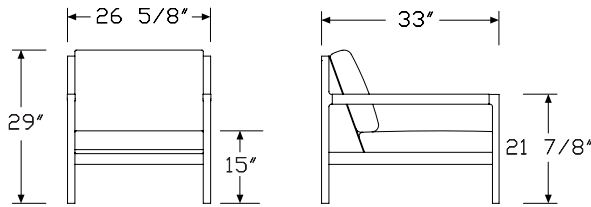
Description

This lounge chair has a solid ash or solid walnut frame with steel-plated metal, leather sling and arm wrap, and upholstered foam cushions.

Notes

Customers Own Material (COM) requires 2 yards for the back and seat cushions. Customers Own Leather (COL) requires 36 square feet for the back and seat cushions, and an additional 27 square feet for the sling and arm wrap. See Order Information in Appendices.

Dimensions



Specification Information

Step 1.

SVV4

Step 2. Frame Finish

A ash

W walnut

Prices for Steps 1-2.

SVV4A \$3668

SVV4W \$4395

Step 3. Wood Finish

Premium Veneer - Low Sheen

For ash (A)

940	sundance cherry on maple <input type="checkbox"/>	+\$0
943	caramel cherry <input type="checkbox"/>	+\$0
946	cocoa cherry <input type="checkbox"/>	+\$0
956	cocoa sapele <input type="checkbox"/>	+\$0
962	toasted walnut, low sheen <input type="checkbox"/>	+\$0
963	charred walnut, low sheen <input type="checkbox"/>	+\$0
964	bronzed walnut, low sheen <input type="checkbox"/>	+\$0
965	smoked walnut, low sheen <input type="checkbox"/>	+\$0
966	coffee walnut, low sheen <input type="checkbox"/>	+\$0
977	chocolate ash, low sheen <input type="checkbox"/>	+\$0
98R	recograin rosewood <input type="checkbox"/>	+\$0
991	champagne ash <input type="checkbox"/>	+\$0
998	ebony ash <input type="checkbox"/>	+\$0
99A	recograin frosty ash <input type="checkbox"/>	+\$0
99R	recograin rosewood <input type="checkbox"/>	+\$0
99T	recograin teak <input type="checkbox"/>	+\$0
9A1	white ash, quarter cut, low sheen <input type="checkbox"/>	+\$0
9K1	rift oak, rift cut, low sheen <input type="checkbox"/>	+\$0
9K6	burnt oak, rift cut, low sheen <input type="checkbox"/>	+\$0
G2U	light brown walnut, low sheen <input type="checkbox"/>	+\$0
G40	dark brown walnut, low sheen <input type="checkbox"/>	+\$0

Brabo Lounge Chair *continued*

HermanMiller Ancillary-Lounge Seating

Premium Veneer - Matte		
<i>For ash (A)</i>		
66A	recograin frosty ash <input type="checkbox"/>	+\$0
677	chocolate ash, matte sheen <input type="checkbox"/>	+\$0
68R	recograin rosewood <input type="checkbox"/>	+\$0
69A	recograin frosty ash <input type="checkbox"/>	+\$0
69R	recograin rosewood <input type="checkbox"/>	+\$0
69T	recograin teak <input type="checkbox"/>	+\$0
6A1	white ash <input type="checkbox"/>	+\$0
6K1	rift oak <input type="checkbox"/>	+\$0
6K6	burnt oak <input type="checkbox"/>	+\$0
ET	clear on ash <input type="checkbox"/>	+\$0
EU	oak on ash <input type="checkbox"/>	+\$0
EV	walnut on ash <input type="checkbox"/>	+\$0
GOU	natural walnut, flat cut, matte sheen <input type="checkbox"/>	+\$0

Anigre Veneer - Low Sheen		
<i>For ash (A)</i>		
967	smoked paldao, low sheen <input type="checkbox"/>	+\$0
969	warm paldao, low sheen <input type="checkbox"/>	+\$0

RecoGrain Veneer		
<i>For ash (A)</i>		
68W	recograin walnut, flat cut, matte sheen <input type="checkbox"/>	+\$0
69W	recograin walnut, quarter cut, matte sheen <input type="checkbox"/>	+\$0

Recon Veneer -		
<i>For ash (A)</i>		
98W	recograin walnut, flat cut, low sheen <input type="checkbox"/>	+\$0
99W	recograin walnut, quarter cut, low sheen <input type="checkbox"/>	+\$0

Premium Veneer - Low Sheen		
<i>For walnut (W)</i>		
962	toasted walnut, low sheen <input type="checkbox"/>	+\$0
963	charred walnut, low sheen <input type="checkbox"/>	+\$0
964	bronzed walnut, low sheen <input type="checkbox"/>	+\$0
965	smoked walnut, low sheen <input type="checkbox"/>	+\$0
966	coffee walnut, low sheen <input type="checkbox"/>	+\$0
972	sundance walnut <input type="checkbox"/>	+\$0
98R	recograin rosewood <input type="checkbox"/>	+\$0
99R	recograin rosewood <input type="checkbox"/>	+\$0
G2U	light brown walnut, low sheen <input type="checkbox"/>	+\$0
G40	dark brown walnut, low sheen <input type="checkbox"/>	+\$0

Premium Veneer - Matte		
<i>For walnut (W)</i>		
662	toasted walnut, matte sheen <input type="checkbox"/>	+\$0
663	charred walnut, matte sheen <input type="checkbox"/>	+\$0
664	bronzed walnut, matte sheen <input type="checkbox"/>	+\$0
665	smoked walnut, matte sheen <input type="checkbox"/>	+\$0
666	coffee walnut, matte sheen <input type="checkbox"/>	+\$0
669	warm paldao, quarter cut, matte sheen <input type="checkbox"/>	+\$0
68R	recograin rosewood <input type="checkbox"/>	+\$0
69R	recograin rosewood <input type="checkbox"/>	+\$0
GOU	natural walnut, flat cut, matte sheen <input type="checkbox"/>	+\$0

Anigre Veneer - Low Sheen		
<i>For walnut (W)</i>		
967	smoked paldao, low sheen <input type="checkbox"/>	+\$0
969	warm paldao, low sheen <input type="checkbox"/>	+\$0

Step 4. Seat/Back Fabric		
Price Category (Geiger) 1		+\$0
Price Category 1		+\$0
Price Category 2		+\$116
Price Category (Geiger) 2		+\$116
Price Category 3		+\$146
Price Category (Geiger) 3		+\$146
Price Category 4		+\$179
Price Category (Geiger) 4		+\$179
Price Category 5		+\$260
Price Category (Geiger) 5		+\$260
Price Category (Geiger) 6		+\$342
Price Category (Geiger) 7		+\$424
Price Category (Geiger) 8		+\$648
Price Category 9		+\$804
Price Category (Geiger) 9		+\$804
Price Category (Geiger) 10		+\$925
Price Category (Geiger) 11		+\$1037
Price Category (Geiger) 14		+\$1358
Price Category (Geiger) C		+\$130
Price Category D		+\$175
Price Category (Geiger) D		+\$174
Price Category (Geiger) E		+\$211
Price Category F		+\$254
Price Category (Geiger) F		+\$253
Price Category G		+\$344
Price Category (Geiger) G		+\$344
Price Category (Geiger) H		+\$428
Price Category (Geiger) I		+\$517
Price Category (Geiger) J		+\$606

Brabo Lounge Chair *continued*

Price Category (Geiger) K	+\$695
Price Category (Geiger) L	+\$785
Price Category (Geiger) M	+\$874
Price Category (Geiger) N	+\$962
Price Category (Geiger) O	+\$1051
Price Category (Geiger) P	+\$1138
Price Category (Geiger) Q	+\$1313
Price Category (Geiger) R	+\$1830
Price Category (Geiger) S	+\$1966
Price Category (Geiger) T	+\$2101
Price Category (Geiger) U	+\$2238
Price Category (Geiger) X	+\$2646
Price Category (Geiger) Y	+\$2782
Price Category (Geiger) Z	+\$2918
Price Category (Geiger) COL <input type="checkbox"/>	+\$130
Price Category (Geiger) COM <input type="checkbox"/>	+\$0

Step 5. Sling/Arm Leather

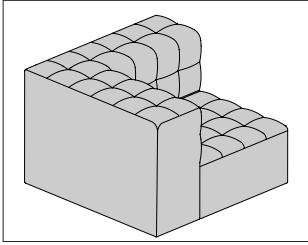
Price Category (Geiger) 10	+\$925
Price Category 11	+\$778
Price Category (Geiger) 11	+\$778

Step 6. Base Finish

CHR chrome <input type="checkbox"/>	+\$0
SAC satin chrome <input type="checkbox"/>	+\$0

Step 7. Fire Retardancy

NOCAL no cal-133 required <input type="checkbox"/>	+\$0
---	------



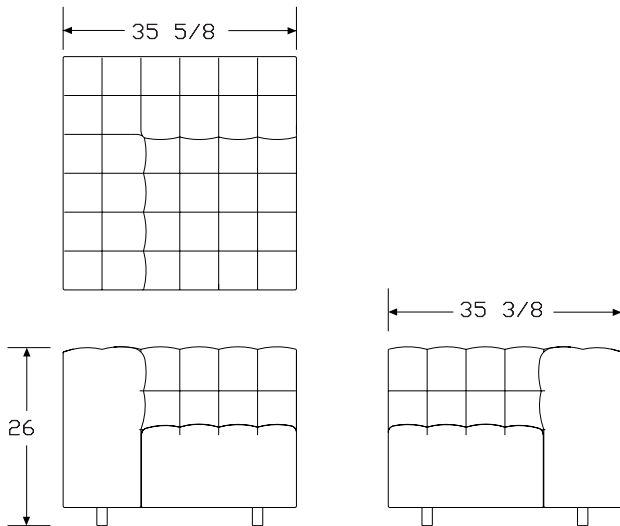
HermanMiller Ancillary-Lounge Seating

Product Information

Description

This corner unit is foam and Dacron® with solid ash or walnut legs. Customer's Own Material (COM) requires 5 yards. Customer's Own Leather (COL) requires 110 square feet. See Order Information in appendices.

Dimensions



Specification Information

Step 1.

SK1 A \$4192

Step 2. Upholstery

Price Category 7	+\$1062
Price Category (Geiger) 2	+\$294
Price Category 8	+\$1620
Price Category 1	+\$0
Price Category 2	+\$294
Price Category 3	+\$366
Price Category (Geiger) 3	+\$366
Price Category 4	+\$450
Price Category (Geiger) 4	+\$450
Price Category 5	+\$654
Price Category (Geiger) 5	+\$654
Price Category (Geiger) 6	+\$858
Price Category (Geiger) 7	+\$1062
Price Category (Geiger) 8	+\$1620
Price Category 10	+\$2316
Price Category (Geiger) 10	+\$2316
Price Category 9	+\$2010
Price Category 11	+\$2592
Price Category 14	+\$3396
Price Category C	+\$330
Price Category D	+\$438
Price Category E	+\$528
Price Category F	+\$636
Price Category G	+\$864
Price Category H	+\$1074
Price Category J	+\$1518
Price Category I	+\$1296
Price Category K	+\$1740
Price Category L	+\$1962
Price Category M	+\$2184
Price Category N	+\$2406
Price Category P	+\$2844
Price Category (Geiger) COL A	+\$432
Price Category (Geiger) COM A	+\$0

Step 3. Wood Finish

967 smoked paldao, low sheen A	+\$0
969 warm paldao, low sheen A	+\$0
G2U light brown walnut, low sheen A	+\$0
G40 dark brown walnut, low sheen A	+\$0
940 sundance cherry on maple A	+\$0
943 caramel cherry A	+\$0

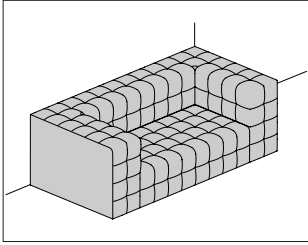
946	cocoa cherry	A	+\$0
956	cocoa sapele	A	+\$0
962	toasted walnut, low sheen	A	+\$0
963	charred walnut, low sheen	A	+\$0
964	bronzed walnut, low sheen	A	+\$0
965	smoked walnut, low sheen	A	+\$0
966	coffee walnut, low sheen	A	+\$0
977	chocolate ash, low sheen	A	+\$0
98R	recograin rosewood	A	+\$0
991	champagne ash	A	+\$0
998	ebony ash	A	+\$0
99A	recograin frosty ash	A	+\$0
99R	recograin rosewood	A	+\$0
99T	recograin teak	A	+\$0
9A1	white ash, quarter cut, low sheen	A	+\$0
9K1	rift oak, rift cut, low sheen	A	+\$0
9K6	burnt oak, rift cut, low sheen	A	+\$0
66A	recograin frosty ash	A	+\$0
677	chocolate ash, matte sheen	A	+\$0
68R	recograin rosewood	A	+\$0
69A	recograin frosty ash	A	+\$0
69R	recograin rosewood	A	+\$0
69T	recograin teak	A	+\$0
6A1	white ash	A	+\$0
6K1	rift oak	A	+\$0
6K6	burnt oak	A	+\$0
ET	clear on ash	A	+\$0
EU	oak on ash	A	+\$0
EV	walnut on ash	A	+\$0
GOU	natural walnut, flat cut, matte sheen	A	+\$0
68W	recograin walnut, flat cut, matte sheen	A	+\$0
69W	recograin walnut, quarter cut, matte sheen	A	+\$0
98W	recograin walnut, flat cut, low sheen	A	+\$0
99W	recograin walnut, quarter cut, low sheen	A	+\$0

Step 4. Fire Retardancy

NOCAL	no cal-133 required	A	+\$0
--------------	---------------------	---	------

Rapport Settee

SK2A
SK2CL
SK2CR
SK2N



Product Information

Description

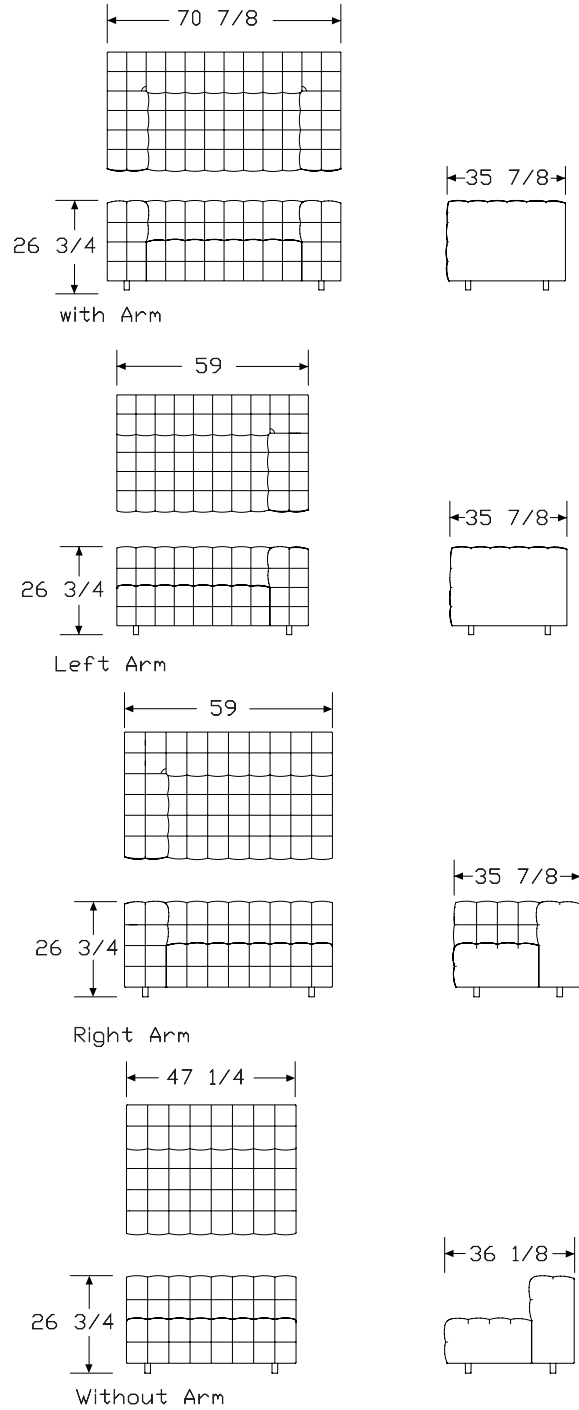
This settee is foam and Dacron® with solid ash or walnut legs.

Customer's Own Material (COM) requires 5¼ yards for the armless unit, 7½ yards for the 1-arm unit, and 9½ yards for the arm unit.

Customer's Own Leather (COL) requires 115½ square feet for the armless unit, 165 square feet for the 1-arm unit, and 209 square feet for the arm unit. See Order Information in appendices.

HermanMiller Ancillary-Lounge Seating

Dimensions



Specification Information

Step 1.

SK2

Step 2. Arms

- A** arms
- CL** corner left, arm right
- CR** corner right, arm left
- N** armless

Prices for Steps 1-2.

SK2A	\$6880
SK2CL	\$6815
SK2CR	\$6815
SK2N	\$6026

Step 3. Upholstery

Price Category 7	+\$2018
Price Category 8	+\$3078
Price Category (Geiger) 2	+\$559
Price Category 1	+\$0
Price Category 2	+\$559
Price Category 3	+\$696
Price Category (Geiger) 3	+\$696
Price Category 4	+\$856
Price Category (Geiger) 4	+\$856
Price Category 5	+\$1243
Price Category (Geiger) 5	+\$1243
Price Category (Geiger) 6	+\$1631
Price Category (Geiger) 7	+\$2018
Price Category (Geiger) 8	+\$3078
Price Category 10	+\$4400
Price Category (Geiger) 10	+\$4400
Price Category 9	+\$3820
Price Category 11	+\$4925
Price Category 14	+\$6452
Price Category C	+\$628
Price Category D	+\$833
Price Category E	+\$1003
Price Category F	+\$1208
Price Category G	+\$1642
Price Category H	+\$2041
Price Category J	+\$2885
Price Category I	+\$2462
Price Category K	+\$3306
Price Category L	+\$3728
Price Category M	+\$4150

Price Category N	+\$4572
Price Category P	+\$5404
Price Category (Geiger) COL <input type="checkbox"/>	+\$821
Price Category (Geiger) COM <input type="checkbox"/>	+\$0

Step 4. Wood Finish

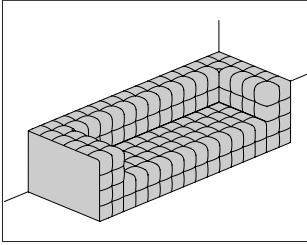
967 smoked paldao, low sheen <input type="checkbox"/>	+\$0
969 warm paldao, low sheen <input type="checkbox"/>	+\$0
G2U light brown walnut, low sheen <input type="checkbox"/>	+\$0
G40 dark brown walnut, low sheen <input type="checkbox"/>	+\$0
940 sundance cherry on maple <input type="checkbox"/>	+\$0
943 caramel cherry <input type="checkbox"/>	+\$0
946 cocoa cherry <input type="checkbox"/>	+\$0
956 cocoa sapele <input type="checkbox"/>	+\$0
962 toasted walnut, low sheen <input type="checkbox"/>	+\$0
963 charred walnut, low sheen <input type="checkbox"/>	+\$0
964 bronzed walnut, low sheen <input type="checkbox"/>	+\$0
965 smoked walnut, low sheen <input type="checkbox"/>	+\$0
966 coffee walnut, low sheen <input type="checkbox"/>	+\$0
977 chocolate ash, low sheen <input type="checkbox"/>	+\$0
98R recograin rosewood <input type="checkbox"/>	+\$0
991 champagne ash <input type="checkbox"/>	+\$0
998 ebony ash <input type="checkbox"/>	+\$0
99A recograin frosty ash <input type="checkbox"/>	+\$0
99R recograin rosewood <input type="checkbox"/>	+\$0
99T recograin teak <input type="checkbox"/>	+\$0
9A1 white ash, quarter cut, low sheen <input type="checkbox"/>	+\$0
9K1 rift oak, rift cut, low sheen <input type="checkbox"/>	+\$0
9K6 burnt oak, rift cut, low sheen <input type="checkbox"/>	+\$0
66A recograin frosty ash <input type="checkbox"/>	+\$0
677 chocolate ash, matte sheen <input type="checkbox"/>	+\$0
68R recograin rosewood <input type="checkbox"/>	+\$0
69A recograin frosty ash <input type="checkbox"/>	+\$0
69R recograin rosewood <input type="checkbox"/>	+\$0
69T recograin teak <input type="checkbox"/>	+\$0
6A1 white ash <input type="checkbox"/>	+\$0
6K1 rift oak <input type="checkbox"/>	+\$0
6K6 burnt oak <input type="checkbox"/>	+\$0
ET clear on ash <input type="checkbox"/>	+\$0
EU oak on ash <input type="checkbox"/>	+\$0
EV walnut on ash <input type="checkbox"/>	+\$0
GOU natural walnut, flat cut, matte sheen <input type="checkbox"/>	+\$0
68W recograin walnut, flat cut, matte sheen <input type="checkbox"/>	+\$0
69W recograin walnut, quarter cut, matte sheen <input type="checkbox"/>	+\$0
98W recograin walnut, flat cut, low sheen <input type="checkbox"/>	+\$0
99W recograin walnut, quarter cut, low sheen <input type="checkbox"/>	+\$0

Step 5. Fire Retardancy	
NOCAL no cal-133 required <input type="checkbox"/> A	+\$0

HermanMiller Ancillary-Lounge Seating

Rapport Sofa

SK3A
SK3CL
SK3CR
SK3N

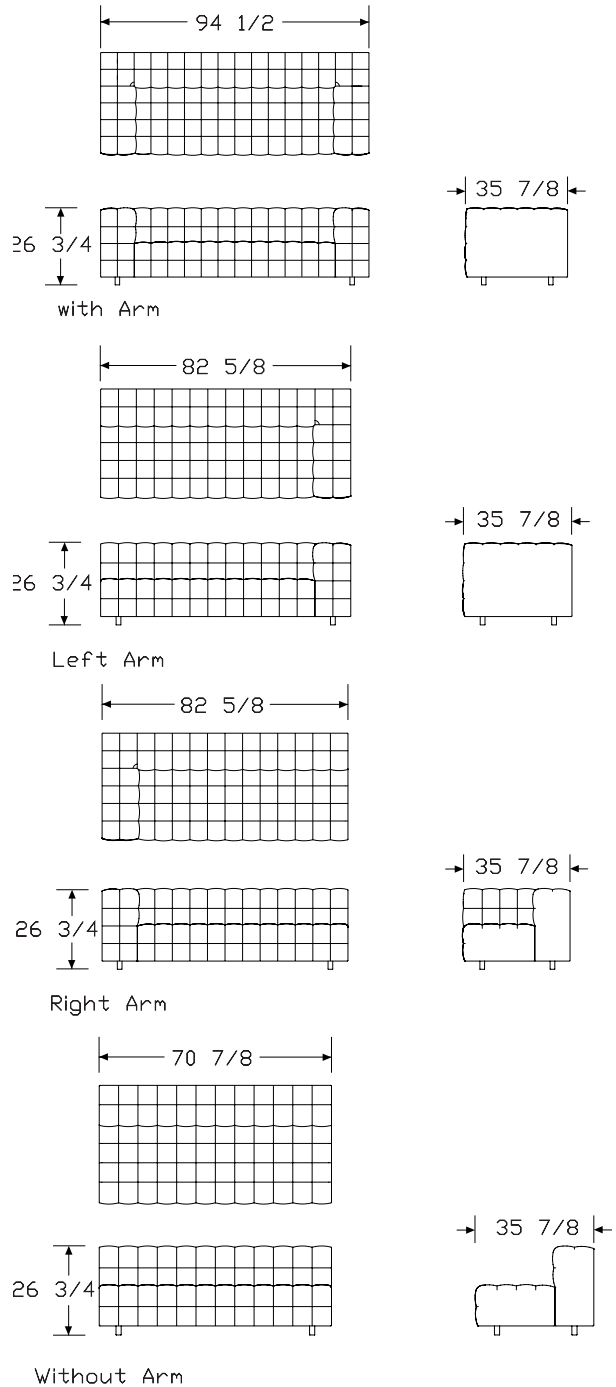


Product Information

Description

This sofa is foam and Dacron® with solid ash or walnut legs.
Customer's Own Material (COM) requires 7¼ yards for the armless unit, 8¾ yards for the 1-arm unit, and 10¾ yards for the arm unit.
Customer's Own Leather (COL) requires 159½ square feet for the armless unit, 192½ square feet for the 1-arm unit, and 236½ square feet for the arm unit. See Order Information in appendices.

Dimensions



Specification Information

Step 1.

SK3

Step 2. Arms

- A** arms
- CL** corner left, arm right
- CR** corner right, arm left
- N** armless

Prices for Steps 1-2.

SK3A	\$7993
SK3CL	\$7930
SK3CR	\$7930
SK3N	\$7143

Step 3. Upholstery

Price Category 7	+\$2284
Price Category 8	+\$3484
Price Category (Geiger) 2	+\$632
Price Category 1	+\$0
Price Category 2	+\$632
Price Category 3	+\$787
Price Category (Geiger) 3	+\$787
Price Category 4	+\$968
Price Category (Geiger) 4	+\$968
Price Category 5	+\$1406
Price Category (Geiger) 5	+\$1406
Price Category (Geiger) 6	+\$1846
Price Category (Geiger) 7	+\$2284
Price Category (Geiger) 8	+\$3484
Price Category 10	+\$4980
Price Category (Geiger) 10	+\$4980
Price Category 9	+\$4322
Price Category 11	+\$5573
Price Category 14	+\$7302
Price Category C	+\$710
Price Category D	+\$942
Price Category E	+\$1135
Price Category F	+\$1368
Price Category G	+\$1858
Price Category H	+\$2310
Price Category J	+\$3264
Price Category I	+\$2786
Price Category K	+\$3742
Price Category L	+\$4219
Price Category M	+\$4696

Price Category N	+\$5173
Price Category P	+\$6115
Price Category (Geiger) COL <input type="checkbox"/>	+\$821
Price Category (Geiger) COM <input type="checkbox"/>	+\$0

Step 4. Wood Finish

967	smoked paldao, low sheen <input type="checkbox"/>	+\$0
969	warm paldao, low sheen <input type="checkbox"/>	+\$0
G2U	light brown walnut, low sheen <input type="checkbox"/>	+\$0
G40	dark brown walnut, low sheen <input type="checkbox"/>	+\$0
940	sundance cherry on maple <input type="checkbox"/>	+\$0
943	caramel cherry <input type="checkbox"/>	+\$0
946	cocoa cherry <input type="checkbox"/>	+\$0
956	cocoa sapele <input type="checkbox"/>	+\$0
962	toasted walnut, low sheen <input type="checkbox"/>	+\$0
963	charred walnut, low sheen <input type="checkbox"/>	+\$0
964	bronzed walnut, low sheen <input type="checkbox"/>	+\$0
965	smoked walnut, low sheen <input type="checkbox"/>	+\$0
966	coffee walnut, low sheen <input type="checkbox"/>	+\$0
977	chocolate ash, low sheen <input type="checkbox"/>	+\$0
98R	recograin rosewood <input type="checkbox"/>	+\$0
991	champagne ash <input type="checkbox"/>	+\$0
998	ebony ash <input type="checkbox"/>	+\$0
99A	recograin frosty ash <input type="checkbox"/>	+\$0
99R	recograin rosewood <input type="checkbox"/>	+\$0
99T	recograin teak <input type="checkbox"/>	+\$0
9A1	white ash, quarter cut, low sheen <input type="checkbox"/>	+\$0
9K1	rift oak, rift cut, low sheen <input type="checkbox"/>	+\$0
9K6	burnt oak, rift cut, low sheen <input type="checkbox"/>	+\$0
66A	recograin frosty ash <input type="checkbox"/>	+\$0
677	chocolate ash, matte sheen <input type="checkbox"/>	+\$0
68R	recograin rosewood <input type="checkbox"/>	+\$0
69A	recograin frosty ash <input type="checkbox"/>	+\$0
69R	recograin rosewood <input type="checkbox"/>	+\$0
69T	recograin teak <input type="checkbox"/>	+\$0
6A1	white ash <input type="checkbox"/>	+\$0
6K1	rift oak <input type="checkbox"/>	+\$0
6K6	burnt oak <input type="checkbox"/>	+\$0
ET	clear on ash <input type="checkbox"/>	+\$0
EU	oak on ash <input type="checkbox"/>	+\$0
EV	walnut on ash <input type="checkbox"/>	+\$0
GOU	natural walnut, flat cut, matte sheen <input type="checkbox"/>	+\$0
68W	recograin walnut, flat cut, matte sheen <input type="checkbox"/>	+\$0
69W	recograin walnut, quarter cut, matte sheen <input type="checkbox"/>	+\$0
98W	recograin walnut, flat cut, low sheen <input type="checkbox"/>	+\$0
99W	recograin walnut, quarter cut, low sheen <input type="checkbox"/>	+\$0

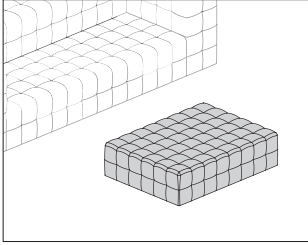
Rapport Sofa *continued*

Step 5. Fire Retardancy

NOCAL no cal-133 required A +\$0

Rapport Ottoman

SK4A
SK4B



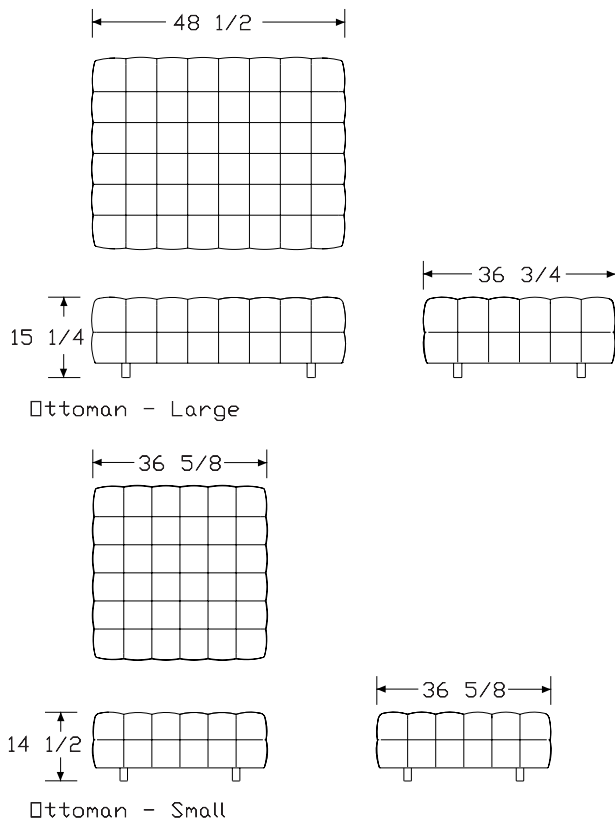
HermanMiller Ancillary-Lounge Seating

Product Information

Description

This ottoman is foam and Dacron® with solid ash or walnut legs. Customer's Own Material (COM) requires 2¾ yards for the small ottoman and 3¾ yards for the large ottoman. Customer's Own Leather (COL) requires 60½ square feet for the small ottoman and 82½ square feet for the large ottoman. See Order Information in appendices.

Dimensions



Specification Information

Step 1.

SK4 A

Step 2. Size

A small A

B large A

Prices for Steps 1-2.

SK4A	\$3143
SK4B	\$3405

Step 3. Upholstery

Price Category 7	+\$584
Price Category 8	+\$892
Price Category (Geiger) 2	+\$162
Price Category 1	+\$0
Price Category 2	+\$162
Price Category 3	+\$202
Price Category (Geiger) 3	+\$202
Price Category 4	+\$248
Price Category (Geiger) 4	+\$248
Price Category 5	+\$360
Price Category (Geiger) 5	+\$360
Price Category (Geiger) 6	+\$473
Price Category (Geiger) 7	+\$584
Price Category (Geiger) 8	+\$892
Price Category 10	+\$1274
Price Category (Geiger) 10	+\$1274
Price Category 9	+\$1106
Price Category 11	+\$1426
Price Category 14	+\$1868
Price Category C	+\$182
Price Category D	+\$241
Price Category E	+\$290
Price Category F	+\$350
Price Category G	+\$475
Price Category H	+\$592
Price Category J	+\$835
Price Category I	+\$713
Price Category K	+\$958
Price Category L	+\$1080
Price Category M	+\$1201
Price Category N	+\$1324
Price Category P	+\$1565
Price Category (Geiger) COL <input type="checkbox"/> A	+\$324
Price Category (Geiger) COM <input type="checkbox"/> A	+\$0

Step 4. Wood Finish

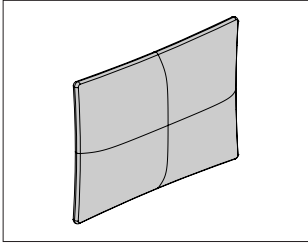
967	smoked paldao, low sheen <input type="checkbox"/>	+\$0
969	warm paldao, low sheen <input type="checkbox"/>	+\$0
G2U	light brown walnut, low sheen <input type="checkbox"/>	+\$0
G40	dark brown walnut, low sheen <input type="checkbox"/>	+\$0
940	sundance cherry on maple <input type="checkbox"/>	+\$0
943	caramel cherry <input type="checkbox"/>	+\$0
946	cocoa cherry <input type="checkbox"/>	+\$0
956	cocoa sapele <input type="checkbox"/>	+\$0
962	toasted walnut, low sheen <input type="checkbox"/>	+\$0
963	charred walnut, low sheen <input type="checkbox"/>	+\$0
964	bronzed walnut, low sheen <input type="checkbox"/>	+\$0
965	smoked walnut, low sheen <input type="checkbox"/>	+\$0
966	coffee walnut, low sheen <input type="checkbox"/>	+\$0
977	chocolate ash, low sheen <input type="checkbox"/>	+\$0
98R	recograin rosewood <input type="checkbox"/>	+\$0
991	champagne ash <input type="checkbox"/>	+\$0
998	ebony ash <input type="checkbox"/>	+\$0
99A	recograin frosty ash <input type="checkbox"/>	+\$0
99R	recograin rosewood <input type="checkbox"/>	+\$0
99T	recograin teak <input type="checkbox"/>	+\$0
9A1	white ash, quarter cut, low sheen <input type="checkbox"/>	+\$0
9K1	rift oak, rift cut, low sheen <input type="checkbox"/>	+\$0
9K6	burnt oak, rift cut, low sheen <input type="checkbox"/>	+\$0
66A	recograin frosty ash <input type="checkbox"/>	+\$0
677	chocolate ash, matte sheen <input type="checkbox"/>	+\$0
68R	recograin rosewood <input type="checkbox"/>	+\$0
69A	recograin frosty ash <input type="checkbox"/>	+\$0
69R	recograin rosewood <input type="checkbox"/>	+\$0
69T	recograin teak <input type="checkbox"/>	+\$0
6A1	white ash <input type="checkbox"/>	+\$0
6K1	rift oak <input type="checkbox"/>	+\$0
6K6	burnt oak <input type="checkbox"/>	+\$0
ET	clear on ash <input type="checkbox"/>	+\$0
EU	oak on ash <input type="checkbox"/>	+\$0
EV	walnut on ash <input type="checkbox"/>	+\$0
GOU	natural walnut, flat cut, matte sheen <input type="checkbox"/>	+\$0
68W	recograin walnut, flat cut, matte sheen <input type="checkbox"/>	+\$0
69W	recograin walnut, quarter cut, matte sheen <input type="checkbox"/>	+\$0
98W	recograin walnut, flat cut, low sheen <input type="checkbox"/>	+\$0
99W	recograin walnut, quarter cut, low sheen <input type="checkbox"/>	+\$0

Step 5. Fire Retardancy

NOCAL	no cal-133 required <input type="checkbox"/>	+\$0
--------------	--	------

Rapport Large Pillow

SK5



HermanMiller Ancillary-Lounge Seating

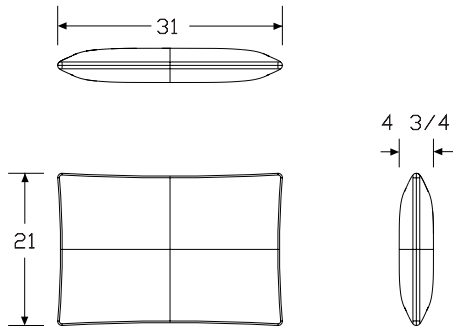
Product Information

Description

This 21"W×31"H pillow is 90% duck feather and 10% duck down covered with Dacron®.

Customer's Own Material (COM) requires 1½ yards. Customer's Own Leather (COL) requires 33 square feet. See Order Information in appendices.

Dimensions



Specification Information

Step 1.

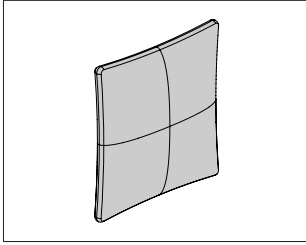
SK5 A \$331

Step 2. Upholstery

Price Category 7	+\$319
Price Category 8	+\$486
Price Category (Geiger) 2	+\$89
Price Category 1	+\$0
Price Category 2	+\$89
Price Category 3	+\$110
Price Category (Geiger) 3	+\$110
Price Category 4	+\$136
Price Category (Geiger) 4	+\$136
Price Category 5	+\$197
Price Category (Geiger) 5	+\$197
Price Category (Geiger) 6	+\$258
Price Category (Geiger) 7	+\$319
Price Category (Geiger) 8	+\$486
Price Category 10	+\$695
Price Category (Geiger) 10	+\$695
Price Category 9	+\$604
Price Category 11	+\$778
Price Category 14	+\$1019
Price Category C	+\$100
Price Category D	+\$132
Price Category E	+\$158
Price Category F	+\$191
Price Category G	+\$259
Price Category H	+\$323
Price Category J	+\$456
Price Category I	+\$389
Price Category K	+\$522
Price Category L	+\$589
Price Category M	+\$655
Price Category N	+\$722
Price Category P	+\$853

Rapport Small Pillow

SK6



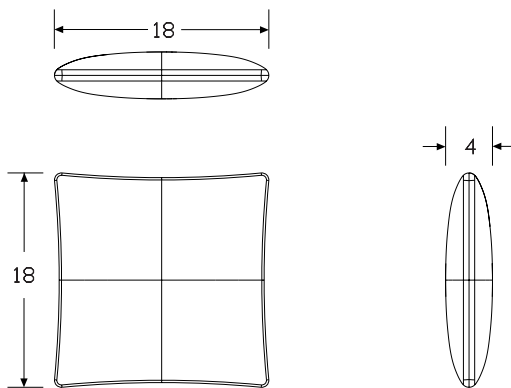
Product Information

Description

This 18"W×18"H pillow is 90% duck feather and 10% duck down covered with Dacron®.

Customer's Own Material (COM) requires 1 yard. Customer's Own Leather (COL) requires 22 square feet. See Order Information in appendices.

Dimensions



Specification Information

Step 1.

SK6 A \$238

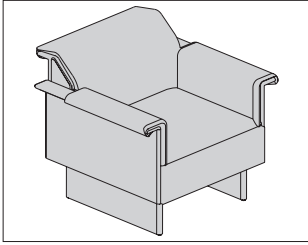
Step 2. Upholstery

Price Category 7	+\$212
Price Category 8	+\$324
Price Category (Geiger) 2	+\$59
Price Category 1	+\$0
Price Category 2	+\$59
Price Category 3	+\$73
Price Category (Geiger) 3	+\$73
Price Category 4	+\$90
Price Category (Geiger) 4	+\$90
Price Category 5	+\$131
Price Category (Geiger) 5	+\$131
Price Category (Geiger) 6	+\$172
Price Category (Geiger) 7	+\$212
Price Category (Geiger) 8	+\$324
Price Category 10	+\$463
Price Category (Geiger) 10	+\$463
Price Category 9	+\$402
Price Category 11	+\$518
Price Category 14	+\$679
Price Category C	+\$66
Price Category D	+\$88
Price Category E	+\$106
Price Category F	+\$127
Price Category G	+\$173
Price Category H	+\$215
Price Category J	+\$304
Price Category I	+\$259
Price Category K	+\$348
Price Category L	+\$392
Price Category M	+\$437
Price Category N	+\$481
Price Category P	+\$569
Price Category R	+\$916

HermanMiller Ancillary-Lounge Seating

Mantle Club Chair

SR1AN
SR1AP
SR1NN
SR1NP



HermanMiller Ancillary—Lounge Seating

Product Information

Description

This club chair has a fire-retardant free foam and down topper with a solid wood base or plated steel swivel base with return-to-center mechanism.

Notes

Customer's Own Material (COM) requires the following yardage:
Type—Total—Seat Frame & Back—Seat and Optional Arm & Back

Pillows

SR1AN	7	5½	1½
SR1AP	9	5½	3½
SR1NN	4½	3	1½
SR1NP	6	3	3

Customer's Own Leather (COL) requires the following square feet:

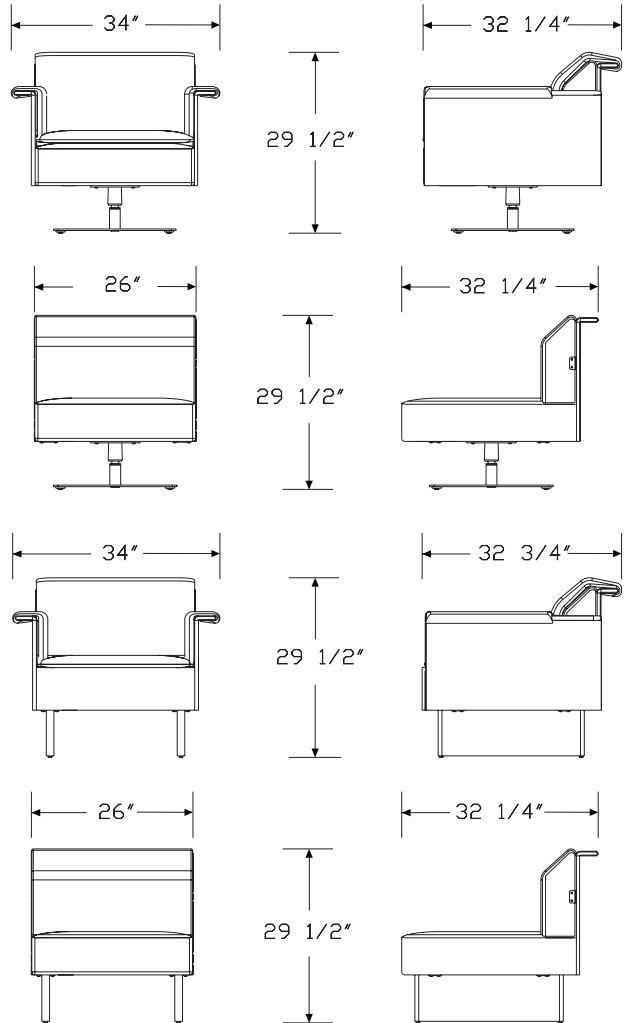
Type—Total—Seat Frame & Back—Seat and Optional Arm & Back

Pillows

SR1AN	126	99	27
SR1AP	162	99	63
SR1NN	81	54	27
SR1NP	108	54	54

See Order Information in appendices for more information.

Dimensions



Mantle Club Chair *continued*

Specification Information

Step 1.

SR1 A

Step 2. Arms

A arms A

N armless A

Step 3. Pillows

N no arm or back pillows A

P arm and back pillows A

Step 4. Base

S swivel base, with return to center A

W wood base A

Prices for Steps 1-4.

SR1AN	S	\$4068
	W	\$3478
<hr/>		
SR1AP	S	\$5115
	W	\$4526
<hr/>		
SR1NN	S	\$3478
	W	\$2821
<hr/>		
SR1NP	S	\$3935
	W	\$3279

Step 5. Seat Frame and Back Upholstery

For armless (N)

Price Category 10	+ \$1274
Price Category 1	+ \$0
Price Category (Geiger) 4	+ \$248
Price Category 5	+ \$360
Price Category (Geiger) 5	+ \$360
Price Category (Geiger) 6	+ \$473
Price Category (Geiger) 7	+ \$584
Price Category (Geiger) 8	+ \$892
Price Category (Geiger) 9	+ \$1106
Price Category (Geiger) 10	+ \$1274
Price Category (Geiger) D	+ \$241
Price Category (Geiger) COL <input type="checkbox"/> A	+ \$238
Price Category (Geiger) COM <input type="checkbox"/> A	+ \$0

For arms (A)

Price Category 1	+ \$0
Price Category (Geiger) 4	+ \$496
Price Category 5	+ \$720
Price Category (Geiger) 5	+ \$720
Price Category (Geiger) 6	+ \$944
Price Category (Geiger) 7	+ \$1169
Price Category (Geiger) 8	+ \$1782
Price Category (Geiger) 9	+ \$2212
Price Category 10	+ \$2548
Price Category (Geiger) 10	+ \$2548
Price Category (Geiger) D	+ \$461
Price Category (Geiger) COL <input type="checkbox"/> A	+ \$454
Price Category (Geiger) COM <input type="checkbox"/> A	+ \$0

Step 6. Seat and Optional Arm and Back Pillows Upholstery

For armless (N) with no arm or back pillows (N)

Price Category 10	+ \$580
Price Category 1	+ \$0
Price Category (Geiger) 4	+ \$113
Price Category 5	+ \$164
Price Category (Geiger) 5	+ \$164
Price Category (Geiger) 6	+ \$236
Price Category (Geiger) 7	+ \$266
Price Category (Geiger) 8	+ \$406
Price Category (Geiger) 9	+ \$503
Price Category (Geiger) 10	+ \$580
Price Category (Geiger) D	+ \$110
Price Category (Geiger) COL <input type="checkbox"/> A	+ \$108
Price Category (Geiger) COM <input type="checkbox"/> A	+ \$0

For armless (N) with arm and back pillows (P)

Price Category 10	+ \$1274
Price Category 1	+ \$0
Price Category (Geiger) 4	+ \$248
Price Category 5	+ \$360
Price Category (Geiger) 5	+ \$360
Price Category (Geiger) 6	+ \$473
Price Category (Geiger) 7	+ \$584
Price Category (Geiger) 8	+ \$892
Price Category (Geiger) 9	+ \$1106
Price Category (Geiger) 10	+ \$1274
Price Category (Geiger) D	+ \$241
Price Category (Geiger) COL <input type="checkbox"/> A	+ \$238
Price Category (Geiger) COM <input type="checkbox"/> A	+ \$0

<i>For arms (A) with no arm or back pillows (N)</i>	
Price Category 10	+\$580
Price Category 1	+\$0
Price Category (Geiger) 4	+\$113
Price Category 5	+\$164
Price Category (Geiger) 5	+\$164
Price Category (Geiger) 6	+\$236
Price Category (Geiger) 7	+\$266
Price Category (Geiger) 8	+\$406
Price Category (Geiger) 9	+\$503
Price Category (Geiger) 10	+\$580
Price Category (Geiger) D	+\$110
Price Category (Geiger) COL A	+\$108
Price Category (Geiger) COM A	+\$0

<i>For arms (A) with arm and back pillows (P)</i>	
Price Category 10	+\$1506
Price Category 1	+\$0
Price Category (Geiger) 4	+\$293
Price Category 5	+\$426
Price Category (Geiger) 5	+\$426
Price Category (Geiger) 6	+\$558
Price Category (Geiger) 7	+\$691
Price Category (Geiger) 8	+\$1054
Price Category (Geiger) 9	+\$1307
Price Category (Geiger) 10	+\$1506
Price Category (Geiger) D	+\$286
Price Category (Geiger) COL A	+\$281
Price Category (Geiger) COM A	+\$0

Step 7. Leather Trim	
Price Category 10	+\$0

Step 8. Base Finish	
---------------------	--

<i>For wood base (W)</i>	
68W recograin walnut, flat cut, matte sheen A	+\$0
69W recograin walnut, quarter cut, matte sheen A	+\$0

<i>For wood base (W)</i>	
98W recograin walnut, flat cut, low sheen A	+\$0
99W recograin walnut, quarter cut, low sheen A	+\$0

<i>For wood base (W)</i>	
662 toasted walnut, matte sheen A	+\$0
663 charred walnut, matte sheen A	+\$0
664 bronzed walnut, matte sheen A	+\$0
665 smoked walnut, matte sheen A	+\$0
666 coffee walnut, matte sheen A	+\$0
667 smoked paldao, quarter cut, matte sheen A	+\$0
669 warm paldao, quarter cut, matte sheen A	+\$0
66A recograin frosty ash A	+\$0
677 chocolate ash, matte sheen A	+\$0
678 natural oak A	+\$0
68R recograin rosewood A	+\$0
69A recograin frosty ash A	+\$0
69R recograin rosewood A	+\$0
69T recograin teak A	+\$0
6A1 white ash A	+\$0
6A2 platinum ash A	+\$0
6K1 rift oak A	+\$0
6K6 burnt oak A	+\$0
ET clear on ash A	+\$0
EU oak on ash A	+\$0
EV walnut on ash A	+\$0
GOU natural walnut, flat cut, matte sheen A	+\$0

<i>For wood base (W)</i>	
932 sundance anigre A	+\$0
933 caramel anigre A	+\$0
934 henna anigre A	+\$0
940 sundance cherry on maple A	+\$0
943 caramel cherry A	+\$0
944 henna cherry A	+\$0
945 port cherry A	+\$0
946 cocoa cherry A	+\$0
954 henna sapele A	+\$0
955 port sapele A	+\$0
956 cocoa sapele A	+\$0
957 espresso sapele A	+\$0
962 toasted walnut, low sheen A	+\$0
963 charred walnut, low sheen A	+\$0
964 bronzed walnut, low sheen A	+\$0
965 smoked walnut, low sheen A	+\$0
966 coffee walnut, low sheen A	+\$0
967 smoked paldao, low sheen A	+\$0
969 warm paldao, low sheen A	+\$0
972 sundance walnut, low sheen A	+\$0
973 caramel walnut A	+\$0
974 henna walnut A	+\$0

Mantle Club Chair *continued*

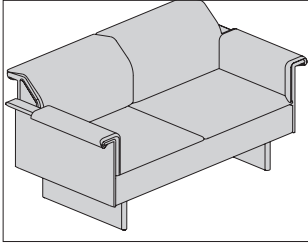
975	port walnut <input type="checkbox"/> A	+\$0
976	cocoa walnut <input type="checkbox"/> A	+\$0
977	chocolate ash, low sheen <input type="checkbox"/> A	+\$0
978	natural oak <input type="checkbox"/> A	+\$0
98R	recograin rosewood <input type="checkbox"/> A	+\$0
991	champagne ash <input type="checkbox"/> A	+\$0
998	ebony ash <input type="checkbox"/> A	+\$0
99A	recograin frosty ash <input type="checkbox"/> A	+\$0
99R	recograin rosewood <input type="checkbox"/> A	+\$0
99T	recograin teak <input type="checkbox"/> A	+\$0
9A1	white ash, quarter cut, low sheen <input type="checkbox"/> A	+\$0
9K1	rift oak, rift cut, low sheen <input type="checkbox"/> A	+\$0
9K6	burnt oak, rift cut, low sheen <input type="checkbox"/> A	+\$0
G2U	light brown walnut, low sheen <input type="checkbox"/> A	+\$0
G40	dark brown walnut, low sheen <input type="checkbox"/> A	+\$0
UX	walnut on cherry, low sheen <input type="checkbox"/> A	+\$0

For swivel base, with return to center (S)

CHR	polished chrome <input type="checkbox"/> A	+\$225
SAC	satin chrome <input type="checkbox"/> A	+\$0

Mantle Settee

- SR2AL
- SR2AN
- SR2AP
- SR2AR
- SR2CL
- SR2CR
- SR2NN
- SR2NP



HermanMiller Ancillary-Lounge Seating

Product Information

Description

This settee has a fire-retardant free foam and down topper with a solid wood base.

Notes

Specify left and right from a seated viewpoint.

Customer's Own Material (COM) requires the following yardage:

Type—Total—Seat Frame & Back—Seat and Optional Arm & Back

Pillows

SR2ALN	18½	9½	9
SR2ALP	12¾	9¼	3½
SR2AN	13	9½	3½
SR2AP	14¼	10¾	3½
SR2ARN	19¾	10¾	9
SR2ARP	13	9½	3½
SR2CLAN	18½	9½	9
SR2CLAP	14	10½	3½
SR2CLNN	21	10½	10½
SR2CLNP	12¾	9¼	3½
SR2CRAN	19¾	9¼	10½
SR2CRAP	14	10½	3½
SR2CRNN	21	10½	10½
SR2CRNP	19¾	9¼	10½
SR2NN	11½	8	3½
SR2NP	17	8	9

Customer's Own Leather (COL) requires the following square feet:

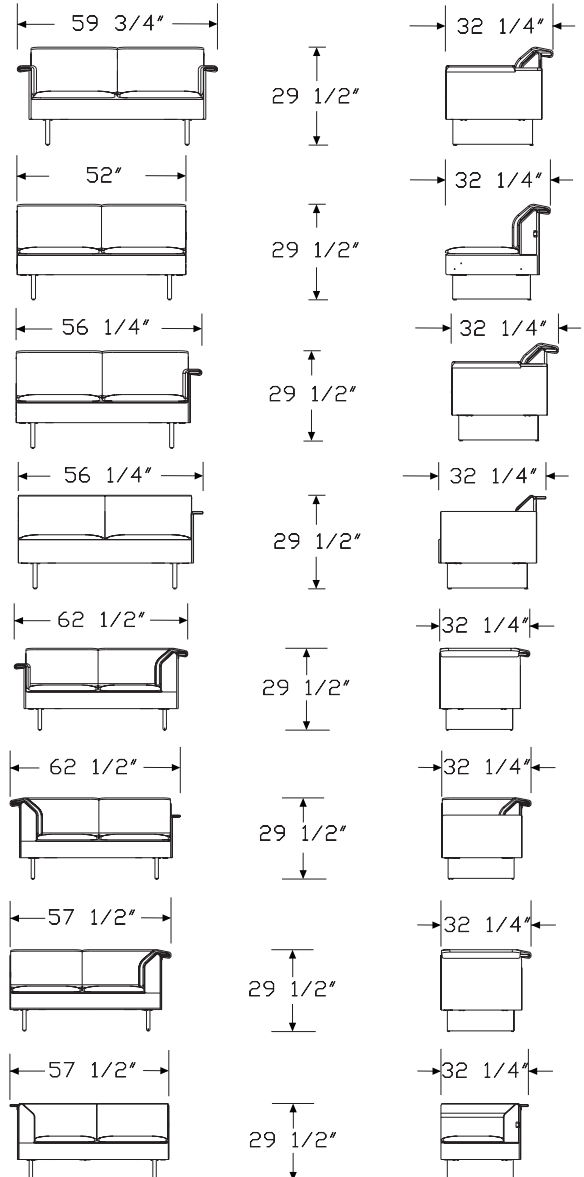
Type—Total—Seat Frame & Back—Seat and Optional Arm & Back

Pillows

SR2ALN	333	171	162
SR2ALP	229½	166½	63
SR2AN	234	171	63
SR2AP	256½	193½	63
SR2ARN	355½	193½	162
SR2ARP	234	171	63
SR2CLAN	333	171	162
SR2CLAP	252	189	63
SR2CLNN	378	189	189
SR2CLNP	229½	166½	63
SR2CRAN	355½	166½	189
SR2CRAP	252	189	63
SR2CRNN	378	189	189
SR2CRNP	355½	166½	189
SR2NN	207	144	63
SR2NP	306	144	162

See Order Information in appendices for more information.

Dimensions



Mantle Settee *continued*

Specification Information

Step 1.

SR2 A

Step 2. Arms

- A** arms A
- AL** arm left, armless right A
- AR** arm right, armless left A
- CLA** corner left, arm right A
- CLN** corner left, armless right A
- CRA** corner right, arm left A
- CRN** corner right, armless left A
- N** armless A

Step 3. Pillows

- N** no arm or back pillows A
- P** arm and back pillows A

Step 4. Base

- W** wood base A

Prices for Steps 1-4.

SR2AN W	\$5115
<hr/>	
SR2AP W	\$6427
<hr/>	
	W
SR2AL N	\$4724
P	\$5902
<hr/>	
SR2AR N	\$4724
P	\$5902
<hr/>	
SR2CLA N	\$5640
P	\$6951
<hr/>	
SR2CLN N	\$5115
P	\$6427
<hr/>	
SR2CRA N	\$5640
P	\$6951
<hr/>	
SR2CRN N	\$5115
P	\$6427
<hr/>	
SR2NN W	\$4526

SR2NP W \$5314

Step 5. Seat Frame and Back Upholstery

For armless (N)

Price Category 10	+\$2548
Price Category 1	+\$0
Price Category (Geiger) 4	+\$496
Price Category 5	+\$720
Price Category (Geiger) 5	+\$720
Price Category (Geiger) 6	+\$944
Price Category (Geiger) 7	+\$1169
Price Category (Geiger) 8	+\$1782
Price Category (Geiger) 9	+\$2212
Price Category (Geiger) 10	+\$2548
Price Category (Geiger) D	+\$482
Price Category (Geiger) COL <input type="checkbox"/> A	+\$475
Price Category (Geiger) COM <input type="checkbox"/> A	+\$0

For arms (A)

Price Category 10	+\$3706
Price Category 1	+\$0
Price Category (Geiger) 4	+\$720
Price Category 5	+\$1046
Price Category (Geiger) 5	+\$1046
Price Category (Geiger) 6	+\$1373
Price Category (Geiger) 7	+\$1699
Price Category (Geiger) 8	+\$2592
Price Category (Geiger) 9	+\$3216
Price Category (Geiger) 10	+\$3706
Price Category (Geiger) D	+\$701
Price Category (Geiger) COL <input type="checkbox"/> A	+\$691
Price Category (Geiger) COM <input type="checkbox"/> A	+\$0

<i>For arm left, armless right (AL) or arm right, armless left (AR)</i>	
Price Category 10	+\$3127
Price Category 1	+\$0
Price Category (Geiger) 4	+\$608
Price Category 5	+\$883
Price Category (Geiger) 5	+\$883
Price Category (Geiger) 6	+\$1159
Price Category (Geiger) 7	+\$1434
Price Category (Geiger) 8	+\$2188
Price Category (Geiger) 9	+\$2714
Price Category (Geiger) 10	+\$3127
Price Category (Geiger) D	+\$592
Price Category (Geiger) COL A	+\$583
Price Category (Geiger) COM A	+\$0

<i>For corner left, armless right (CLN) or corner right, armless left (CRN)</i>	
Price Category 10	+\$3242
Price Category 1	+\$0
Price Category (Geiger) 4	+\$630
Price Category 5	+\$916
Price Category (Geiger) 5	+\$916
Price Category (Geiger) 6	+\$1201
Price Category (Geiger) 7	+\$1487
Price Category (Geiger) 8	+\$2268
Price Category (Geiger) 9	+\$2814
Price Category (Geiger) 10	+\$3242
Price Category (Geiger) D	+\$613
Price Category (Geiger) COL A	+\$605
Price Category (Geiger) COM A	+\$0

<i>For corner left, arm right (CLA) or corner right, arm left (CRA)</i>	
Price Category 10	+\$3822
Price Category 1	+\$0
Price Category (Geiger) 4	+\$743
Price Category 5	+\$1080
Price Category (Geiger) 5	+\$1080
Price Category (Geiger) 6	+\$1416
Price Category (Geiger) 7	+\$1753
Price Category (Geiger) 8	+\$2674
Price Category (Geiger) 9	+\$3317
Price Category (Geiger) 10	+\$3822
Price Category (Geiger) D	+\$724
Price Category (Geiger) COL A	+\$713
Price Category (Geiger) COM A	+\$0

Step 6. Seat and Optional Arm and Back Pillows Upholstery	
<i>For armless (N) with no arm or back pillows (N)</i>	
Price Category 10	+\$926
Price Category 1	+\$0
Price Category (Geiger) 4	+\$180
Price Category 5	+\$262
Price Category (Geiger) 5	+\$262
Price Category (Geiger) 6	+\$343
Price Category (Geiger) 7	+\$425
Price Category (Geiger) 8	+\$648
Price Category (Geiger) 9	+\$804
Price Category (Geiger) 10	+\$926
Price Category (Geiger) D	+\$175
Price Category (Geiger) COL A	+\$173
Price Category (Geiger) COM A	+\$0

<i>For armless (N) with arm and back pillows (P)</i>	
Price Category 10	+\$2664
Price Category 1	+\$0
Price Category (Geiger) 4	+\$518
Price Category 5	+\$752
Price Category (Geiger) 5	+\$752
Price Category (Geiger) 6	+\$988
Price Category (Geiger) 7	+\$1222
Price Category (Geiger) 8	+\$1864
Price Category (Geiger) 9	+\$2312
Price Category (Geiger) 10	+\$2664
Price Category (Geiger) D	+\$494
Price Category (Geiger) COL A	+\$497
Price Category (Geiger) COM A	+\$0

<i>For arms (A) with no arm or back pillows (N)</i>	
Price Category 10	+\$926
Price Category 1	+\$0
Price Category (Geiger) 4	+\$180
Price Category 5	+\$262
Price Category (Geiger) 5	+\$262
Price Category (Geiger) 6	+\$343
Price Category (Geiger) 7	+\$425
Price Category (Geiger) 8	+\$648
Price Category (Geiger) 9	+\$804
Price Category (Geiger) 10	+\$926
Price Category (Geiger) D	+\$175
Price Category (Geiger) COL A	+\$173
Price Category (Geiger) COM A	+\$0

Mantle Settee *continued*

For arms (A) with arm and back pillows (P)

Price Category 10	+\$2664
Price Category 1	+\$0
Price Category (Geiger) 4	+\$518
Price Category 5	+\$752
Price Category (Geiger) 5	+\$752
Price Category (Geiger) 6	+\$988
Price Category (Geiger) 7	+\$1222
Price Category (Geiger) 8	+\$1864
Price Category (Geiger) 9	+\$2312
Price Category (Geiger) 10	+\$2664
Price Category (Geiger) D	+\$494
Price Category (Geiger) COL A	+\$497
Price Category (Geiger) COM A	+\$0

For arm left, armless right (AL) or arm right, armless left (AR) with no arm or back pillows (N)

Price Category 10	+\$926
Price Category 1	+\$0
Price Category (Geiger) 4	+\$180
Price Category 5	+\$262
Price Category (Geiger) 5	+\$262
Price Category (Geiger) 6	+\$343
Price Category (Geiger) 7	+\$425
Price Category (Geiger) 8	+\$648
Price Category (Geiger) 9	+\$804
Price Category (Geiger) 10	+\$926
Price Category (Geiger) D	+\$175
Price Category (Geiger) COL A	+\$173
Price Category (Geiger) COM A	+\$0

For arm left, armless right (AL) or arm right, armless left (AR) with arm and back pillows (P)

Price Category 10	+\$2981
Price Category 1	+\$0
Price Category (Geiger) 4	+\$518
Price Category 5	+\$752
Price Category (Geiger) 5	+\$752
Price Category (Geiger) 6	+\$988
Price Category (Geiger) 7	+\$1222
Price Category (Geiger) 8	+\$2312
Price Category (Geiger) 9	+\$2664
Price Category (Geiger) 10	+\$2981
Price Category (Geiger) D	+\$494
Price Category (Geiger) COL A	+\$497
Price Category (Geiger) COM A	+\$0

For corner left, armless right (CLN) or corner right, armless left (CRN) with no arm or back pillows (N)

Price Category 10	+\$926
Price Category 1	+\$0
Price Category (Geiger) 4	+\$180
Price Category 5	+\$262
Price Category (Geiger) 5	+\$262
Price Category (Geiger) 6	+\$343
Price Category (Geiger) 7	+\$425
Price Category (Geiger) 8	+\$648
Price Category (Geiger) 9	+\$804
Price Category (Geiger) 10	+\$926
Price Category (Geiger) D	+\$175
Price Category (Geiger) COL A	+\$173
Price Category (Geiger) COM A	+\$0

For corner left, armless right (CLN) or corner right, armless left (CRN) with arm and back pillows (P)

Price Category 10	+\$3242
Price Category 1	+\$0
Price Category (Geiger) 4	+\$630
Price Category 5	+\$916
Price Category (Geiger) 5	+\$916
Price Category (Geiger) 6	+\$1201
Price Category (Geiger) 7	+\$1487
Price Category (Geiger) 8	+\$2268
Price Category (Geiger) 9	+\$2814
Price Category (Geiger) 10	+\$3242
Price Category (Geiger) D	+\$613
Price Category (Geiger) COL A	+\$605
Price Category (Geiger) COM A	+\$0

For corner left, arm right (CLA) or corner right, arm left (CRA) with no arm or back pillows (N)

Price Category 10	+\$926
Price Category 1	+\$0
Price Category (Geiger) 4	+\$180
Price Category 5	+\$262
Price Category (Geiger) 5	+\$262
Price Category (Geiger) 6	+\$343
Price Category (Geiger) 7	+\$425
Price Category (Geiger) 8	+\$648
Price Category (Geiger) 9	+\$804
Price Category (Geiger) 10	+\$926
Price Category (Geiger) D	+\$175
Price Category (Geiger) COL A	+\$173
Price Category (Geiger) COM A	+\$0

Mantle Settee *continued*

HermanMiller Ancillary-Lounge Seating

For corner left, arm right (CLA) or corner right, arm left (CRA) with arm and back pillows (P)

Price Category 10	+\$3242
Price Category 1	+\$0
Price Category (Geiger) 4	+\$630
Price Category 5	+\$916
Price Category (Geiger) 5	+\$916
Price Category (Geiger) 6	+\$1201
Price Category (Geiger) 7	+\$1487
Price Category (Geiger) 8	+\$2268
Price Category (Geiger) 9	+\$2814
Price Category (Geiger) 10	+\$3242
Price Category (Geiger) D	+\$613
Price Category (Geiger) COL A	+\$605
Price Category (Geiger) COM A	+\$0

Step 7. Leather Trim

Price Category 10	+\$0
-------------------	------

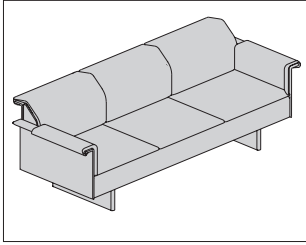
Step 8. Base Finish

68W recograin walnut, flat cut, matte sheen A	+\$0
69W recograin walnut, quarter cut, matte sheen A	+\$0
98W recograin walnut, flat cut, low sheen A	+\$0
99W recograin walnut, quarter cut, low sheen A	+\$0
662 toasted walnut, matte sheen A	+\$0
663 charred walnut, matte sheen A	+\$0
664 bronzed walnut, matte sheen A	+\$0
665 smoked walnut, matte sheen A	+\$0
666 coffee walnut, matte sheen A	+\$0
667 smoked paldao, quarter cut, matte sheen A	+\$0
669 warm paldao, quarter cut, matte sheen A	+\$0
66A recograin frosty ash A	+\$0
677 chocolate ash, matte sheen A	+\$0
678 natural oak A	+\$0
68R recograin rosewood A	+\$0
69A recograin frosty ash A	+\$0
69R recograin rosewood A	+\$0
69T recograin teak A	+\$0
6A1 white ash A	+\$0
6A2 platinum ash A	+\$0
6K1 rift oak A	+\$0
6K6 burnt oak A	+\$0
ET clear on ash A	+\$0
EU oak on ash A	+\$0
EV walnut on ash A	+\$0
GOU natural walnut, flat cut, matte sheen A	+\$0
932 sundance anigre A	+\$0

933 caramel anigre A	+\$0
934 henna anigre A	+\$0
940 sundance cherry on maple A	+\$0
943 caramel cherry A	+\$0
944 henna cherry A	+\$0
945 port cherry A	+\$0
946 cocoa cherry A	+\$0
954 henna sapele A	+\$0
955 port sapele A	+\$0
956 cocoa sapele A	+\$0
957 espresso sapele A	+\$0
962 toasted walnut, low sheen A	+\$0
963 charred walnut, low sheen A	+\$0
964 bronzed walnut, low sheen A	+\$0
965 smoked walnut, low sheen A	+\$0
966 coffee walnut, low sheen A	+\$0
967 smoked paldao, low sheen A	+\$0
969 warm paldao, low sheen A	+\$0
972 sundance walnut, low sheen A	+\$0
973 caramel walnut A	+\$0
974 henna walnut A	+\$0
975 port walnut A	+\$0
976 cocoa walnut A	+\$0
977 chocolate ash, low sheen A	+\$0
978 natural oak A	+\$0
98R recograin rosewood A	+\$0
991 champagne ash A	+\$0
998 ebony ash A	+\$0
99A recograin frosty ash A	+\$0
99R recograin rosewood A	+\$0
99T recograin teak A	+\$0
9A1 white ash, quarter cut, low sheen A	+\$0
9K1 rift oak, rift cut, low sheen A	+\$0
9K6 burnt oak, rift cut, low sheen A	+\$0
G2U light brown walnut, low sheen A	+\$0
G40 dark brown walnut, low sheen A	+\$0
UX walnut on cherry, low sheen A	+\$0

Mantle Sofa

- SR3AL
- SR3AN
- SR3AP
- SR3AR
- SR3CL
- SR3CR
- SR3NN
- SR3NP



Product Information

Description

This sofa has a fire-retardant free foam and down topper with a solid wood base.

Notes

Specify left and right from a seated viewpoint.

Customer's Own Material (COM) requires the following yardage:

Type—Total—Seat Frame & Back—Seat and Optional Arm & Back

Pillows

SR3CLAN	14	10½	3½
SR3CLAP	21	10½	10½
SR3CLNN	12¾	9¼	3½
SR3CLNP	19¾	9¼	10½
SR3CRAN	14	10½	3½
SR3CRAP	21	10½	10½
SR3CRNP	19¾	9¼	10½
SR3NN	11½	8	3½
SR3NP	17	8	9

Customer's Own Leather (COL) requires the following square feet:

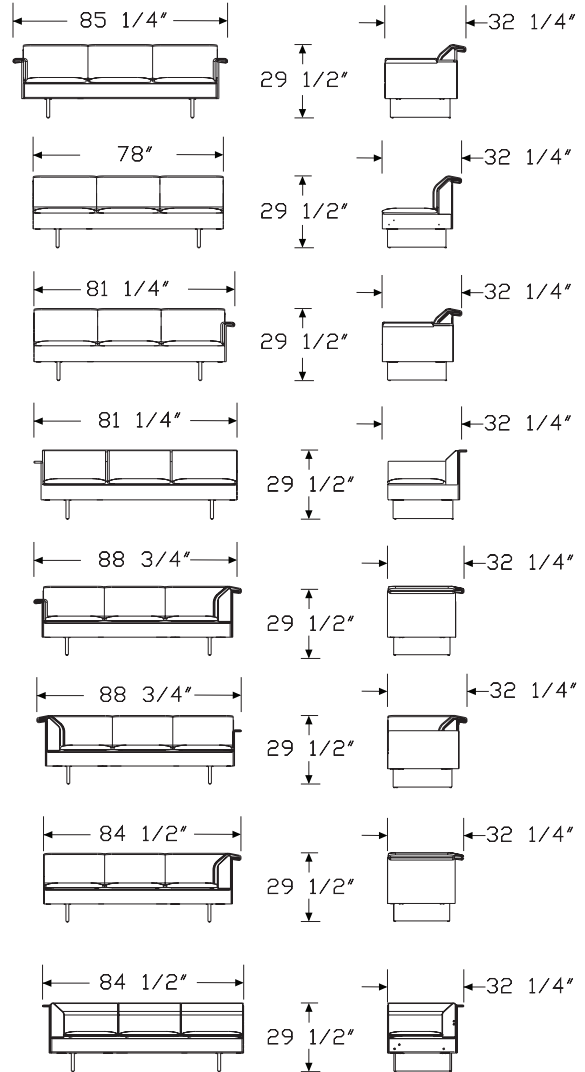
Type—Total—Seat Frame & Back—Seat and Optional Arm & Back

Pillows

SR3CLAN	252	189	63
SR3CLAP	378	189	189
SR3CLNN	229½	166½	63
SR3CLNP	355½	166½	189
SR3CRAN	252	189	63
SR3CRAP	378	189	189
SR3CRNP	355½	166½	189
SR3NN	207	144	63
SR3NP	306	144	162

See Order Information in appendices for more information.

Dimensions



Specification Information	
Step 1.	
SR3	<input type="checkbox"/> A
Step 2. Arms	
A	arms <input type="checkbox"/> A
AL	arm left, armless right <input type="checkbox"/> A
AR	arm right, armless left <input type="checkbox"/> A
CLA	corner left, arm right <input type="checkbox"/> A
CLN	corner left, armless right <input type="checkbox"/> A
CRA	corner right, arm left <input type="checkbox"/> A
CRN	corner right, armless left <input type="checkbox"/> A
N	armless <input type="checkbox"/> A
Step 3. Pillows	
N	no arm or back pillows <input type="checkbox"/> A
P	arm and back pillows <input type="checkbox"/> A
Step 4. Base	
W	wood base <input type="checkbox"/> A
Prices for Steps 1-4.	
SR3AN W	\$6690
SR3AP W	\$8393
	W
SR3AL N	\$6362
P	\$7804
SR3AR N	\$6362
P	\$7804
SR3CLA N	\$6821
P	\$8524
SR3CLN N	\$6166
P	\$7869
SR3CRA N	\$6821
P	\$8524
SR3CRN N	\$6166
P	\$7869
SR3NN W	\$5969

SR3NP W \$7213

Step 5. Seat Frame and Back Upholstery

<i>For armless (N)</i>	
Price Category 10	+\$3590
Price Category 1	+\$0
Price Category (Geiger) 4	+\$698
Price Category 5	+\$1014
Price Category (Geiger) 5	+\$1014
Price Category (Geiger) 6	+\$1331
Price Category (Geiger) 7	+\$1646
Price Category (Geiger) 8	+\$2512
Price Category (Geiger) 9	+\$3116
Price Category (Geiger) 10	+\$3590
Price Category (Geiger) D	+\$679
Price Category (Geiger) COL <input type="checkbox"/> A	+\$670
Price Category (Geiger) COM <input type="checkbox"/> A	+\$0
<i>For arms (A)</i>	
Price Category 10	+\$4864
Price Category 1	+\$0
Price Category (Geiger) 4	+\$946
Price Category 5	+\$1374
Price Category (Geiger) 5	+\$1374
Price Category (Geiger) 6	+\$1802
Price Category (Geiger) 7	+\$2231
Price Category (Geiger) 8	+\$3402
Price Category (Geiger) 9	+\$4222
Price Category (Geiger) 10	+\$4864
Price Category (Geiger) D	+\$920
Price Category (Geiger) COL <input type="checkbox"/> A	+\$907
Price Category (Geiger) COM <input type="checkbox"/> A	+\$0

<i>For arm left, armless right (AL) or arm right, armless left (AR)</i>	
Price Category 10	+\$4285
Price Category 1	+\$0
Price Category (Geiger) 4	+\$833
Price Category 5	+\$1211
Price Category (Geiger) 5	+\$1211
Price Category (Geiger) 6	+\$1588
Price Category (Geiger) 7	+\$1966
Price Category (Geiger) 8	+\$2998
Price Category (Geiger) 9	+\$3719
Price Category (Geiger) 10	+\$4285
Price Category (Geiger) D	+\$811
Price Category (Geiger) COL <input type="checkbox"/>	+\$799
Price Category (Geiger) COM <input type="checkbox"/>	+\$0

<i>For corner left, armless right (CLN) or corner right, armless left (CRN)</i>	
Price Category 10	+\$4169
Price Category 1	+\$0
Price Category (Geiger) 4	+\$810
Price Category 5	+\$1177
Price Category (Geiger) 5	+\$1177
Price Category (Geiger) 6	+\$1544
Price Category (Geiger) 7	+\$1912
Price Category (Geiger) 8	+\$2916
Price Category (Geiger) 9	+\$3618
Price Category (Geiger) 10	+\$4169
Price Category (Geiger) D	+\$788
Price Category (Geiger) COL <input type="checkbox"/>	+\$778
Price Category (Geiger) COM <input type="checkbox"/>	+\$0

<i>For corner left, arm right (CLA) or corner right, arm left (CRA)</i>	
Price Category 10	+\$4748
Price Category 1	+\$0
Price Category (Geiger) 4	+\$923
Price Category 5	+\$1342
Price Category (Geiger) 5	+\$1342
Price Category (Geiger) 6	+\$1759
Price Category (Geiger) 7	+\$2178
Price Category (Geiger) 8	+\$3322
Price Category (Geiger) 9	+\$4121
Price Category (Geiger) 10	+\$4748
Price Category (Geiger) D	+\$899
Price Category (Geiger) COL <input type="checkbox"/>	+\$886
Price Category (Geiger) COM <input type="checkbox"/>	+\$0

Step 6. Seat and Optional Arm and Back Pillows Upholstery	
<i>For armless (N) with no arm or back pillows (N)</i>	
Price Category 10	+\$1506
Price Category 1	+\$0
Price Category (Geiger) 4	+\$293
Price Category 5	+\$426
Price Category (Geiger) 5	+\$426
Price Category (Geiger) 6	+\$558
Price Category (Geiger) 7	+\$691
Price Category (Geiger) 8	+\$1054
Price Category (Geiger) 9	+\$1307
Price Category (Geiger) 10	+\$1506
Price Category (Geiger) D	+\$286
Price Category (Geiger) COL <input type="checkbox"/>	+\$281
Price Category (Geiger) COM <input type="checkbox"/>	+\$0

<i>For armless (N) with arm and back pillows (P)</i>	
Price Category 10	+\$4054
Price Category 1	+\$0
Price Category (Geiger) 4	+\$788
Price Category 5	+\$1145
Price Category (Geiger) 5	+\$1145
Price Category (Geiger) 6	+\$1502
Price Category (Geiger) 7	+\$1859
Price Category (Geiger) 8	+\$2836
Price Category (Geiger) 9	+\$3518
Price Category (Geiger) 10	+\$4054
Price Category (Geiger) D	+\$767
Price Category (Geiger) COL <input type="checkbox"/>	+\$756
Price Category (Geiger) COM <input type="checkbox"/>	+\$0

<i>For arms (A) with no arm or back pillows (N)</i>	
Price Category 10	+\$1506
Price Category 1	+\$0
Price Category (Geiger) 4	+\$293
Price Category 5	+\$426
Price Category (Geiger) 5	+\$426
Price Category (Geiger) 6	+\$558
Price Category (Geiger) 7	+\$691
Price Category (Geiger) 8	+\$1054
Price Category (Geiger) 9	+\$1307
Price Category (Geiger) 10	+\$1506
Price Category (Geiger) D	+\$286
Price Category (Geiger) COL <input type="checkbox"/>	+\$281
Price Category (Geiger) COM <input type="checkbox"/>	+\$0

For arms (A) with arm and back pillows (P)

Price Category 10	+\$4054
Price Category 1	+\$0
Price Category (Geiger) 4	+\$788
Price Category 5	+\$1145
Price Category (Geiger) 5	+\$1145
Price Category (Geiger) 6	+\$1502
Price Category (Geiger) 7	+\$1859
Price Category (Geiger) 8	+\$2836
Price Category (Geiger) 9	+\$3518
Price Category (Geiger) 10	+\$4054
Price Category (Geiger) D	+\$767
Price Category (Geiger) COL A	+\$756
Price Category (Geiger) COM A	+\$0

For arm left, armless right (AL) or arm right, armless left (AR) with no arm or back pillows (N)

Price Category 10	+\$1506
Price Category 1	+\$0
Price Category (Geiger) 4	+\$293
Price Category 5	+\$426
Price Category (Geiger) 5	+\$426
Price Category (Geiger) 6	+\$558
Price Category (Geiger) 7	+\$691
Price Category (Geiger) 8	+\$1054
Price Category (Geiger) 9	+\$1307
Price Category (Geiger) 10	+\$1506
Price Category (Geiger) D	+\$286
Price Category (Geiger) COL A	+\$281
Price Category (Geiger) COM A	+\$0

For arm left, armless right (AL) or arm right, armless left (AR) with arm and back pillows (P)

Price Category 10	+\$4054
Price Category 1	+\$0
Price Category (Geiger) 4	+\$788
Price Category 5	+\$1145
Price Category (Geiger) 5	+\$1145
Price Category (Geiger) 6	+\$1502
Price Category (Geiger) 7	+\$1859
Price Category (Geiger) 8	+\$2836
Price Category (Geiger) 9	+\$3518
Price Category (Geiger) 10	+\$4054
Price Category (Geiger) D	+\$767
Price Category (Geiger) COL A	+\$756
Price Category (Geiger) COM A	+\$0

For corner left, armless right (CLN) or corner right, armless left (CRN) with no arm or back pillows (N)

Price Category 10	+\$1506
Price Category 1	+\$0
Price Category (Geiger) 4	+\$293
Price Category 5	+\$426
Price Category (Geiger) 5	+\$426
Price Category (Geiger) 6	+\$558
Price Category (Geiger) 7	+\$691
Price Category (Geiger) 8	+\$1054
Price Category (Geiger) 9	+\$1307
Price Category (Geiger) 10	+\$1506
Price Category (Geiger) D	+\$286
Price Category (Geiger) COL A	+\$281
Price Category (Geiger) COM A	+\$0

For corner left, armless right (CLN) or corner right, armless left (CRN) with arm and back pillows (P)

Price Category 10	+\$4748
Price Category 1	+\$0
Price Category (Geiger) 4	+\$923
Price Category 5	+\$1342
Price Category (Geiger) 5	+\$1342
Price Category (Geiger) 6	+\$1759
Price Category (Geiger) 7	+\$2178
Price Category (Geiger) 8	+\$3322
Price Category (Geiger) 9	+\$4121
Price Category (Geiger) 10	+\$4748
Price Category (Geiger) D	+\$899
Price Category (Geiger) COL A	+\$886
Price Category (Geiger) COM A	+\$0

For corner left, arm right (CLA) or corner right, arm left (CRA) with no arm or back pillows (N)

Price Category 10	+\$1506
Price Category 1	+\$0
Price Category (Geiger) 4	+\$293
Price Category 5	+\$426
Price Category (Geiger) 5	+\$426
Price Category (Geiger) 6	+\$558
Price Category (Geiger) 7	+\$691
Price Category (Geiger) 8	+\$1054
Price Category (Geiger) 9	+\$1307
Price Category (Geiger) 10	+\$1506
Price Category (Geiger) D	+\$286
Price Category (Geiger) COL A	+\$281
Price Category (Geiger) COM A	+\$0

For corner left, arm right (CLA) or corner right, arm left (CRA) with arm and back pillows (P)

Price Category 10	+\$4748
Price Category 1	+\$0
Price Category (Geiger) 4	+\$923
Price Category 5	+\$1342
Price Category (Geiger) 5	+\$1342
Price Category (Geiger) 6	+\$1759
Price Category (Geiger) 7	+\$2178
Price Category (Geiger) 8	+\$3322
Price Category (Geiger) 9	+\$4121
Price Category (Geiger) 10	+\$4748
Price Category (Geiger) D	+\$899
Price Category (Geiger) COL A	+\$886
Price Category (Geiger) COM A	+\$0

Step 7. Leather Trim

Price Category 10	+\$0
-------------------	------

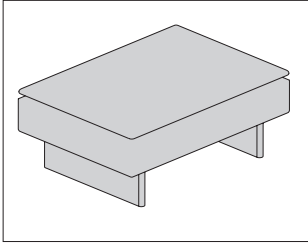
Step 8. Base Finish

68W recograin walnut, flat cut, matte sheen A	+\$0
69W recograin walnut, quarter cut, matte sheen A	+\$0
98W recograin walnut, flat cut, low sheen A	+\$0
99W recograin walnut, quarter cut, low sheen A	+\$0
662 toasted walnut, matte sheen A	+\$0
663 charred walnut, matte sheen A	+\$0
664 bronzed walnut, matte sheen A	+\$0
665 smoked walnut, matte sheen A	+\$0
666 coffee walnut, matte sheen A	+\$0
667 smoked paldao, quarter cut, matte sheen A	+\$0
669 warm paldao, quarter cut, matte sheen A	+\$0
66A recograin frosty ash A	+\$0
677 chocolate ash, matte sheen A	+\$0
678 natural oak A	+\$0
68R recograin rosewood A	+\$0
69A recograin frosty ash A	+\$0
69R recograin rosewood A	+\$0
69T recograin teak A	+\$0
6A1 white ash A	+\$0
6A2 platinum ash A	+\$0
6K1 rift oak A	+\$0
6K6 burnt oak A	+\$0
ET clear on ash A	+\$0
EU oak on ash A	+\$0
EV walnut on ash A	+\$0
GOU natural walnut, flat cut, matte sheen A	+\$0
932 sundance anigre A	+\$0

933 caramel anigre A	+\$0
934 henna anigre A	+\$0
940 sundance cherry on maple A	+\$0
943 caramel cherry A	+\$0
944 henna cherry A	+\$0
945 port cherry A	+\$0
946 cocoa cherry A	+\$0
954 henna sapele A	+\$0
955 port sapele A	+\$0
956 cocoa sapele A	+\$0
957 espresso sapele A	+\$0
962 toasted walnut, low sheen A	+\$0
963 charred walnut, low sheen A	+\$0
964 bronzed walnut, low sheen A	+\$0
965 smoked walnut, low sheen A	+\$0
966 coffee walnut, low sheen A	+\$0
967 smoked paldao, low sheen A	+\$0
969 warm paldao, low sheen A	+\$0
972 sundance walnut, low sheen A	+\$0
973 caramel walnut A	+\$0
974 henna walnut A	+\$0
975 port walnut A	+\$0
976 cocoa walnut A	+\$0
977 chocolate ash, low sheen A	+\$0
978 natural oak A	+\$0
98R recograin rosewood A	+\$0
991 champagne ash A	+\$0
998 ebony ash A	+\$0
99A recograin frosty ash A	+\$0
99R recograin rosewood A	+\$0
99T recograin teak A	+\$0
9A1 white ash, quarter cut, low sheen A	+\$0
9K1 rift oak, rift cut, low sheen A	+\$0
9K6 burnt oak, rift cut, low sheen A	+\$0
G2U light brown walnut, low sheen A	+\$0
G40 dark brown walnut, low sheen A	+\$0
UX walnut on cherry, low sheen A	+\$0

Mantle Ottoman

SR40W
SR41W
SR42W
SR43W
SR4LW
SR4RW



HermanMiller Ancillary—Lounge Seating

Product Information

Description

This ottoman has a fire-retardant free foam and down topper with a solid wood base.

Notes

Customer's Own Material (COM) requires the following yardage:

Type—Total—Seat Frame & Back—Seat and Optional Arm & Back

Pillows

SR40W	3½	1¾	1¾
SR41W	3¾	1¾	2
SR42W	5½	2¾	2¾
SR43W	7¼	3½	3¾
SR4LW	4½	2	2½
SR4RW	4½	2	2½

Customer's Own Leather (COL) requires the following square feet:

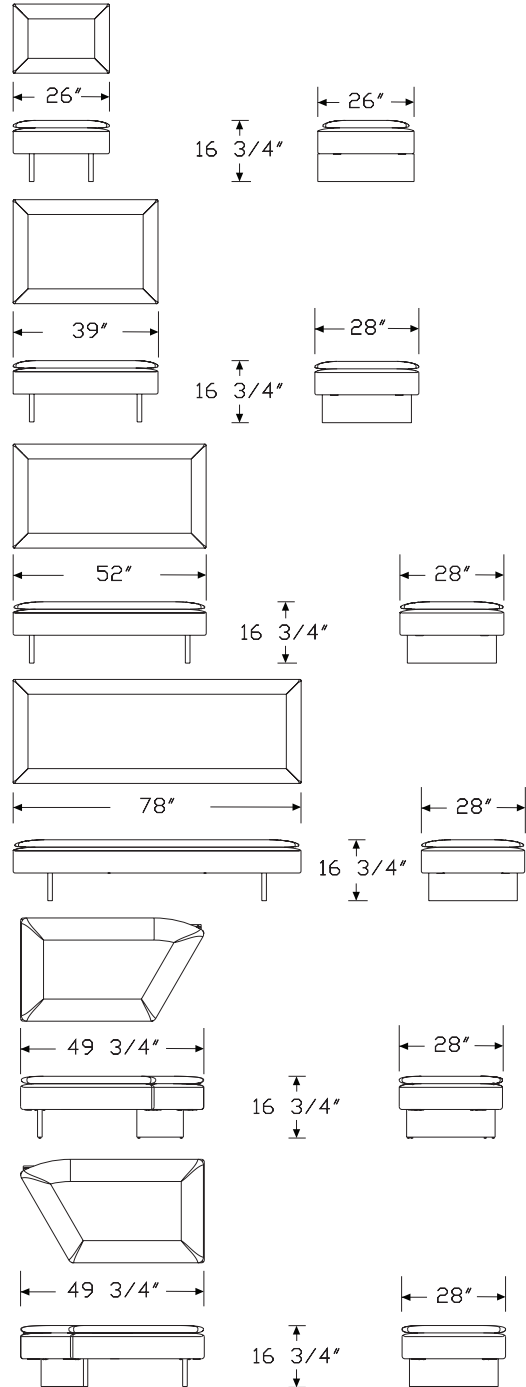
Type—Total—Seat Frame & Back—Seat and Optional Arm & Back

Pillows

SR40W	63	31½	31½
SR41W	67½	31½	36
SR42W	99	49½	49½
SR43W	130½	63	67½
SR4LW	81	36	45
SR4RW	81	36	45

See Order Information in appendices for more information.

Dimensions



Specification Information

Step 1.

SR4 A

Step 2. Configuration

- 0** ottoman 26x26 A
- 1** sofa ottoman 28x39 A
- 2** 2 seat bench A
- 3** 3 seat bench A
- L** 30 degree open angle bench A
- R** 30 degree closed angle bench A

Step 3. Base

W wood base A

Prices for Steps 1-3.

SR40W	\$1878
SR41W	\$2135
SR42W	\$2861
SR43W	\$3929
SR4LW	\$2231
SR4RW	\$2231

Step 4. Frame Upholstery

For ottoman 26x26 (0) or sofa ottoman 28x39 (1)

Price Category 10	+\$695
Price Category 1	+\$0
Price Category (Geiger) 4	+\$136
Price Category 5	+\$197
Price Category (Geiger) 5	+\$197
Price Category (Geiger) 6	+\$258
Price Category (Geiger) 7	+\$319
Price Category (Geiger) 8	+\$486
Price Category (Geiger) 9	+\$604
Price Category (Geiger) 10	+\$695
Price Category (Geiger) D	+\$132
Price Category (Geiger) COL A	+\$130
Price Category (Geiger) COM A	+\$0

For 2 seat bench (2)

Price Category 10	+\$1043
Price Category 1	+\$0
Price Category (Geiger) 4	+\$203
Price Category 5	+\$295
Price Category (Geiger) 5	+\$295
Price Category (Geiger) 6	+\$386
Price Category (Geiger) 7	+\$479
Price Category (Geiger) 8	+\$730
Price Category (Geiger) 9	+\$905
Price Category (Geiger) 10	+\$1043
Price Category (Geiger) D	+\$198
Price Category (Geiger) COL A	+\$194
Price Category (Geiger) COM A	+\$0

For 3 seat bench (3)

Price Category 10	+\$1506
Price Category 1	+\$0
Price Category (Geiger) 4	+\$293
Price Category 5	+\$426
Price Category (Geiger) 5	+\$426
Price Category (Geiger) 6	+\$558
Price Category (Geiger) 7	+\$691
Price Category (Geiger) 8	+\$1054
Price Category (Geiger) 9	+\$1307
Price Category (Geiger) 10	+\$1506
Price Category (Geiger) D	+\$286
Price Category (Geiger) COL A	+\$281
Price Category (Geiger) COM A	+\$0

For 30 degree open angle bench (L) or 30 degree closed angle bench (R)

Price Category 10	+\$811
Price Category 1	+\$0
Price Category (Geiger) 4	+\$158
Price Category 5	+\$229
Price Category (Geiger) 5	+\$229
Price Category (Geiger) 6	+\$301
Price Category (Geiger) 7	+\$372
Price Category (Geiger) 8	+\$568
Price Category (Geiger) 9	+\$704
Price Category (Geiger) 10	+\$811
Price Category (Geiger) D	+\$154
Price Category (Geiger) COL A	+\$151
Price Category (Geiger) COM A	+\$0

Step 5. Seat Upholstery

For ottoman 26x26 (0)

Price Category 10	+\$695
Price Category 1	+\$0
Price Category (Geiger) 4	+\$136
Price Category 5	+\$197
Price Category (Geiger) 5	+\$197
Price Category (Geiger) 6	+\$258
Price Category (Geiger) 7	+\$319
Price Category (Geiger) 8	+\$486
Price Category (Geiger) 9	+\$604
Price Category (Geiger) 10	+\$695
Price Category (Geiger) D	+\$132
Price Category (Geiger) COL A	+\$130
Price Category (Geiger) COM A	+\$0

For sofa ottoman 28x39 (1)

Price Category 10	+\$811
Price Category 1	+\$0
Price Category (Geiger) 4	+\$158
Price Category 5	+\$229
Price Category (Geiger) 5	+\$229
Price Category (Geiger) 6	+\$301
Price Category (Geiger) 7	+\$372
Price Category (Geiger) 8	+\$568
Price Category (Geiger) 9	+\$704
Price Category (Geiger) 10	+\$811
Price Category (Geiger) D	+\$154
Price Category (Geiger) COL A	+\$151
Price Category (Geiger) COM A	+\$0

For 2 seat bench (2)

Price Category 10	+\$1158
Price Category 1	+\$0
Price Category (Geiger) 4	+\$226
Price Category 5	+\$328
Price Category (Geiger) 5	+\$328
Price Category (Geiger) 6	+\$430
Price Category (Geiger) 7	+\$532
Price Category (Geiger) 8	+\$810
Price Category (Geiger) 9	+\$1006
Price Category (Geiger) 10	+\$1158
Price Category (Geiger) D	+\$220
Price Category (Geiger) COL A	+\$216
Price Category (Geiger) COM A	+\$0

For 3 seat bench (3)

Price Category 10	+\$1621
Price Category 1	+\$0
Price Category (Geiger) 4	+\$316
Price Category 5	+\$458
Price Category (Geiger) 5	+\$458
Price Category (Geiger) 6	+\$601
Price Category (Geiger) 7	+\$744
Price Category (Geiger) 8	+\$1134
Price Category (Geiger) 9	+\$1408
Price Category (Geiger) 10	+\$1621
Price Category (Geiger) D	+\$307
Price Category (Geiger) COL A	+\$302
Price Category (Geiger) COM A	+\$0

For 30 degree open angle bench (L) or 30 degree closed angle bench (R)

Price Category 10	+\$1043
Price Category 1	+\$0
Price Category (Geiger) 4	+\$203
Price Category 5	+\$295
Price Category (Geiger) 5	+\$295
Price Category (Geiger) 6	+\$386
Price Category (Geiger) 7	+\$479
Price Category (Geiger) 8	+\$730
Price Category (Geiger) 9	+\$905
Price Category (Geiger) 10	+\$1043
Price Category (Geiger) D	+\$198
Price Category (Geiger) COL A	+\$194
Price Category (Geiger) COM A	+\$0

Step 6. Base Finish

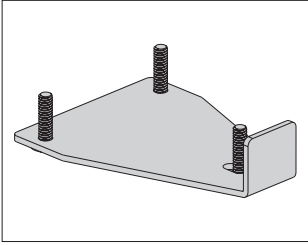
68W	recograin walnut, flat cut, matte sheen A	+\$0
69W	recograin walnut, quarter cut, matte sheen A	+\$0
98W	recograin walnut, flat cut, low sheen A	+\$0
99W	recograin walnut, quarter cut, low sheen A	+\$0
662	toasted walnut, matte sheen A	+\$0
663	charred walnut, matte sheen A	+\$0
664	bronzed walnut, matte sheen A	+\$0
665	smoked walnut, matte sheen A	+\$0
666	coffee walnut, matte sheen A	+\$0
667	smoked paldao, quarter cut, matte sheen A	+\$0
669	warm paldao, quarter cut, matte sheen A	+\$0
66A	recograin frosty ash A	+\$0
677	chocolate ash, matte sheen A	+\$0
678	natural oak A	+\$0
68R	recograin rosewood A	+\$0

Mantle Ottoman *continued*

69A	recograin frosty ash <input type="checkbox"/>	+\$0	G40	dark brown walnut, low sheen <input type="checkbox"/>	+\$0
69R	recograin rosewood <input type="checkbox"/>	+\$0	UX	walnut on cherry, low sheen <input type="checkbox"/>	+\$0
69T	recograin teak <input type="checkbox"/>	+\$0			
6A1	white ash <input type="checkbox"/>	+\$0			
6A2	platinum ash <input type="checkbox"/>	+\$0			
6K1	rift oak <input type="checkbox"/>	+\$0			
6K6	burnt oak <input type="checkbox"/>	+\$0			
ET	clear on ash <input type="checkbox"/>	+\$0			
EU	oak on ash <input type="checkbox"/>	+\$0			
EV	walnut on ash <input type="checkbox"/>	+\$0			
GOU	natural walnut, flat cut, matte sheen <input type="checkbox"/>	+\$0			
932	sundance anigre <input type="checkbox"/>	+\$0			
933	caramel anigre <input type="checkbox"/>	+\$0			
934	henna anigre <input type="checkbox"/>	+\$0			
940	sundance cherry on maple <input type="checkbox"/>	+\$0			
943	caramel cherry <input type="checkbox"/>	+\$0			
944	henna cherry <input type="checkbox"/>	+\$0			
945	port cherry <input type="checkbox"/>	+\$0			
946	cocoa cherry <input type="checkbox"/>	+\$0			
954	henna sapele <input type="checkbox"/>	+\$0			
955	port sapele <input type="checkbox"/>	+\$0			
956	cocoa sapele <input type="checkbox"/>	+\$0			
957	espresso sapele <input type="checkbox"/>	+\$0			
962	toasted walnut, low sheen <input type="checkbox"/>	+\$0			
963	charred walnut, low sheen <input type="checkbox"/>	+\$0			
964	bronzed walnut, low sheen <input type="checkbox"/>	+\$0			
965	smoked walnut, low sheen <input type="checkbox"/>	+\$0			
966	coffee walnut, low sheen <input type="checkbox"/>	+\$0			
967	smoked paldao, low sheen <input type="checkbox"/>	+\$0			
969	warm paldao, low sheen <input type="checkbox"/>	+\$0			
972	sundance walnut, low sheen <input type="checkbox"/>	+\$0			
973	caramel walnut <input type="checkbox"/>	+\$0			
974	henna walnut <input type="checkbox"/>	+\$0			
975	port walnut <input type="checkbox"/>	+\$0			
976	cocoa walnut <input type="checkbox"/>	+\$0			
977	chocolate ash, low sheen <input type="checkbox"/>	+\$0			
978	natural oak <input type="checkbox"/>	+\$0			
98R	recograin rosewood <input type="checkbox"/>	+\$0			
991	champagne ash <input type="checkbox"/>	+\$0			
998	ebony ash <input type="checkbox"/>	+\$0			
99A	recograin frosty ash <input type="checkbox"/>	+\$0			
99R	recograin rosewood <input type="checkbox"/>	+\$0			
99T	recograin teak <input type="checkbox"/>	+\$0			
9A1	white ash, quarter cut, low sheen <input type="checkbox"/>	+\$0			
9K1	rift oak, rift cut, low sheen <input type="checkbox"/>	+\$0			
9K6	burnt oak, rift cut, low sheen <input type="checkbox"/>	+\$0			
G2U	light brown walnut, low sheen <input type="checkbox"/>	+\$0			

Mantle Ganging Plate

SR5

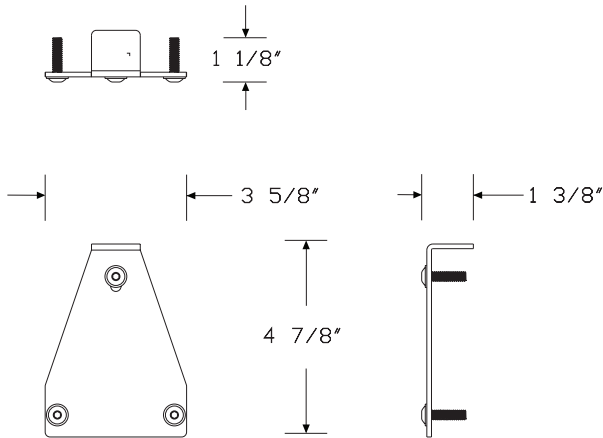


Product Information

Description

This ganging plate kit includes 2 metal plates and attachment hardware.

Dimensions

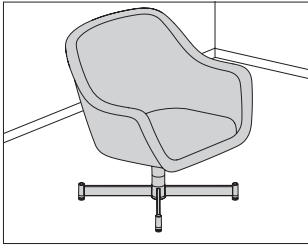


Specification Information

Step 1.

SR5 A \$104

Bumper High Arm Lounge Chair, SBR4H 4 Star



Product Information

Description

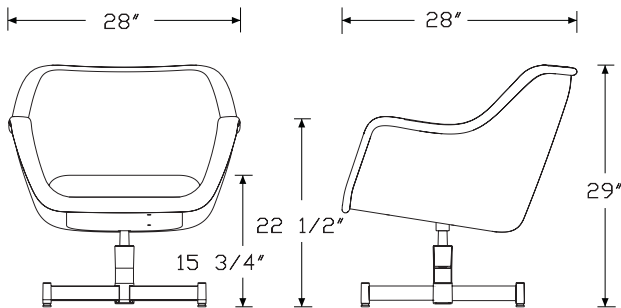
This lounge chair has upholstered inner and outer shells and arm cap, each made from one continuous piece of fabric or leather, and an upholstered seat cushion. The frame is rigid molded urethane with foam inserts. The 4-star, swivel-return base is polished cast aluminum with black glides.

Notes

Customer's Own Material (COM) requires 2½ yards for the shell inside and outside, an additional 1¾ yards for the arm cap and cushion, or 4¼ yards when specifying entire chair in the same fabric. See Order Information in Appendices.

Customer's Own Leather (COL) requires 45 square feet for the shell inside and outside, an additional 31½ square feet for the arm cap and cushion, or 76½ yards when specifying entire chair in the same leather. See Order Information in Appendices.

Dimensions



Specification Information

Step 1.

SBR4H [A] \$2659

Step 2. Shell Upholstery

Price Category 1	+\$103
Price Category (Geiger) 1	+\$103
Price Category 2	+\$123
Price Category (Geiger) 2	+\$123
Price Category 3	+\$153
Price Category (Geiger) 3	+\$153
Price Category 4	+\$188
Price Category (Geiger) 4	+\$188
Price Category 5	+\$273
Price Category (Geiger) 5	+\$273
Price Category (Geiger) 6	+\$358
Price Category (Geiger) 7	+\$443
Price Category (Geiger) 8	+\$675
Price Category 9	+\$838
Price Category (Geiger) 9	+\$838
Price Category (Geiger) 10	+\$965
Price Category (Geiger) 11	+\$1080
Price Category (Geiger) 14	+\$1415
Price Category (Geiger) C	+\$138
Price Category (Geiger) D	+\$183
Price Category (Geiger) E	+\$220
Price Category F	+\$265
Price Category (Geiger) F	+\$265
Price Category G	+\$360
Price Category (Geiger) G	+\$360
Price Category (Geiger) H	+\$448
Price Category (Geiger) I	+\$540
Price Category (Geiger) J	+\$633
Price Category (Geiger) K	+\$725
Price Category (Geiger) L	+\$818
Price Category (Geiger) M	+\$910
Price Category (Geiger) N	+\$1003
Price Category (Geiger) O	+\$1095
Price Category (Geiger) P	+\$1185
Price Category (Geiger) Q	+\$1368
Price Category (Geiger) R	+\$1908
Price Category (Geiger) S	+\$2048
Price Category (Geiger) T	+\$2190
Price Category (Geiger) U	+\$2333
Price Category (Geiger) X	+\$2758
Price Category (Geiger) Y	+\$2898
Price Category (Geiger) Z	+\$3040

Bumper High Arm Lounge Chair, 4 Star *continued*

HermanMiller Ancillary-Lounge Seating

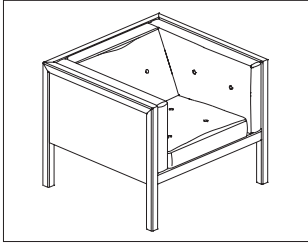
Price Category (Geiger) COL <input type="checkbox"/> A	+\$180
Price Category (Geiger) COM <input type="checkbox"/> A	+\$0

Step 3. Arm Cap and Cushion Upholstery	
Price Category 1	+\$72
Price Category (Geiger) 1	+\$72
Price Category 2	+\$86
Price Category (Geiger) 2	+\$86
Price Category 3	+\$107
Price Category (Geiger) 3	+\$107
Price Category 4	+\$132
Price Category (Geiger) 4	+\$132
Price Category 5	+\$191
Price Category (Geiger) 5	+\$191
Price Category (Geiger) 6	+\$251
Price Category (Geiger) 7	+\$310
Price Category (Geiger) 8	+\$473
Price Category 9	+\$587
Price Category (Geiger) 9	+\$587
Price Category (Geiger) 10	+\$676
Price Category (Geiger) 11	+\$756
Price Category (Geiger) 14	+\$991
Price Category (Geiger) C	+\$97
Price Category (Geiger) D	+\$128
Price Category (Geiger) E	+\$154
Price Category F	+\$186
Price Category (Geiger) F	+\$186
Price Category G	+\$252
Price Category (Geiger) G	+\$252
Price Category (Geiger) H	+\$314
Price Category (Geiger) I	+\$378
Price Category (Geiger) J	+\$443
Price Category (Geiger) K	+\$508
Price Category (Geiger) L	+\$573
Price Category (Geiger) M	+\$637
Price Category (Geiger) O	+\$767
Price Category (Geiger) P	+\$830
Price Category (Geiger) Q	+\$958
Price Category (Geiger) R	+\$1336
Price Category (Geiger) S	+\$1434
Price Category (Geiger) X	+\$1931
Price Category (Geiger) Y	+\$2029
Price Category (Geiger) Z	+\$2128
Price Category (Geiger) COL <input type="checkbox"/> A	+\$126
Price Category (Geiger) COM <input type="checkbox"/> A	+\$0

Step 4. Base Finish		
CD	polished aluminum <input type="checkbox"/> A	+\$0

Nelson Cube Lounge Chair

NCU1



Product Information

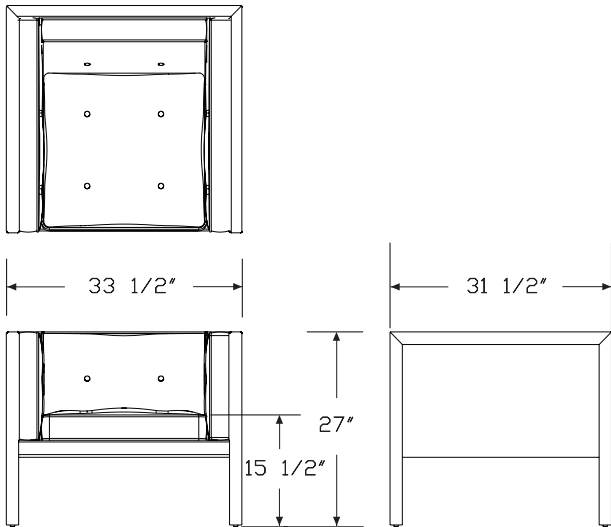
Description

This lounge chair has 1 seat cushion, 1 back cushion and 2 side cushions. Internal cushions are high-resiliency foam with Dacron® wrap. The outer frame is exposed hardwood in oak, walnut or ebony finish. The internal frame is steel reinforced solid hardwood.

Notes

External wood frame is natural hardwood. Similar products ordered in multiples or dissimilar products ordered separately should be expected to have variation in both grain and color characteristics; no two products will look exactly alike.

Dimensions



Specification Information

Step 1.

NCU1 A \$4346

Step 2. Frame Finish

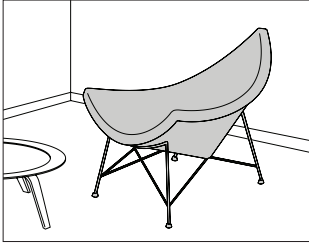
EN ebony A +\$0
OU walnut A +\$100
WHN natural white oak A +\$0

Step 3. Upholstery

Price Category 11 +\$2700
 Price Category 3 +\$91
 Price Category 7 +\$545
 Price Category 8 +\$716
 Price Category C +\$151
 Price Category D +\$200
 Price Category 12 +\$3091

HermanMiller Ancillary-Lounge Seating

Nelson™ Coconut Lounge Chair 5569L.
Leather

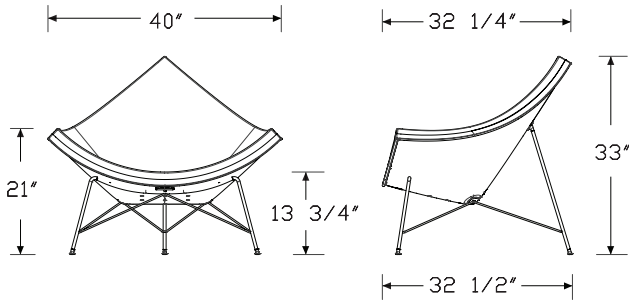


Product Information

Description

This chair has a 1-piece foam cushion upholstered in leather, a white molded plastic shell, and a polished chrome or white base.

Dimensions



Specification Information

Step 1.

5569L. [A] \$4738

Step 2. Base Option

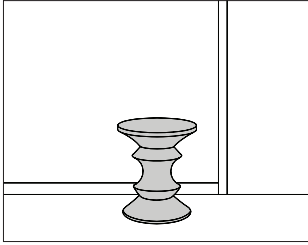
47 trivalent chrome [A] +\$50
91 white [A] +\$0

Step 3. Upholstery

Price Category 11 +\$1980

Eames® Walnut Stool

411
412
413

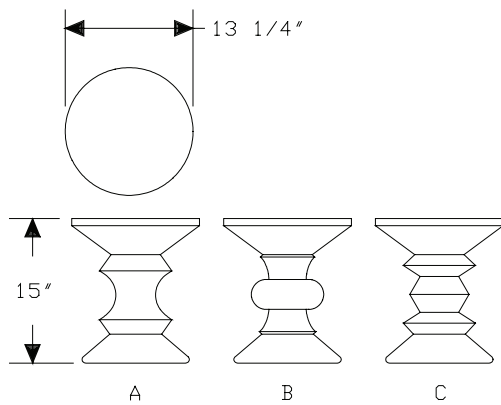


Product Information

Description

This solid walnut stool is available with 3 base shapes.

Dimensions



Specification Information

Step 1.

41 A

Step 2. Shape

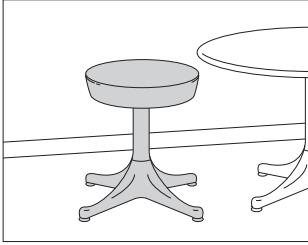
1 a shape A

2 b shape A

3 c shape A

Prices for Steps 1-2.

411	\$1377
412	\$1377
413	\$1377



Product Information

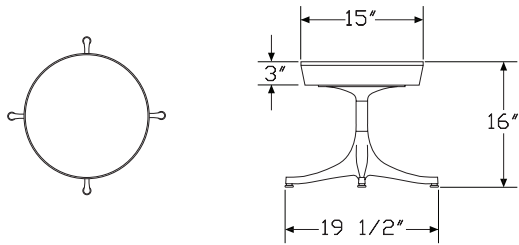
Description

This 16"-high stool has a 4-star, aluminum base with adjustable glides and a 3"-thick upholstered foam seat.

Notes

Customers Own Material (COM) requires 1 yard.

Dimensions



HermanMiller Ancillary--Stools

Specification Information

Step 1.

PS16 [A] \$1219

Step 2. Base Finish

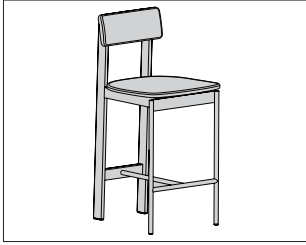
91	white [A]	+\$0
98	studio white [A]	+\$0
BK	black [A]	+\$0
L	polished aluminum [A]	+\$0

Step 3. Fabric

Price Category 1	+\$0
Price Category 2	+\$36
Price Category (Geiger) 2	+\$36
Price Category 3	+\$68
Price Category (Geiger) 3	+\$68
Price Category 4	+\$103
Price Category (Geiger) 4	+\$103
Price Category 5	+\$160
Price Category (Geiger) 5	+\$121
Price Category 6	+\$134
Price Category (Geiger) 6	+\$134
Price Category 7	+\$217
Price Category (Geiger) 7	+\$217
Price Category 8	+\$247
Price Category (Geiger) 8	+\$247
Price Category 9	+\$247
Price Category (Geiger) 9	+\$247
Price Category 10	+\$281
Price Category (Geiger) 10	+\$235
Price Category 11	+\$410
Price Category C	+\$68
Price Category D	+\$71
Price Category E	+\$85
Price Category F	+\$110
Price Category G	+\$143
Price Category H	+\$174
Price Category I	+\$204
Price Category K	+\$265
Price Category L	+\$296
Price Category M	+\$326
Price Category N	+\$358
Price Category P	+\$398
Price Category Q	+\$450
Price Category X	+\$1162
Price Category Y	+\$1223

Betwixt Counter Stool

LN20N



Product Information

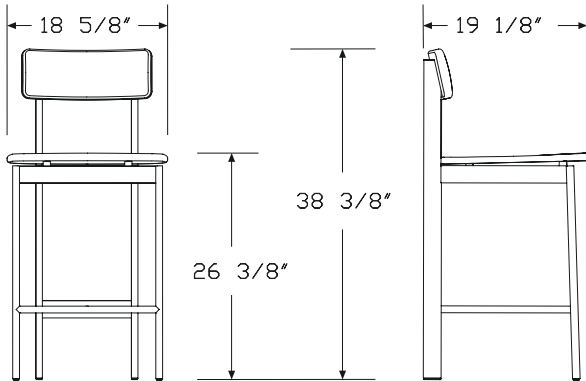
Description

This stool has a steel tube frame with a choice of solid wood, cork, or upholstered seat and back. Stool comes standard with polymer glides suitable for multiple floor surfaces.

Notes

Customer's Own Material (COM) requires $\frac{3}{4}$ yards for the seat and $\frac{3}{4}$ yards for the back. Customer's Own Leather (COL) requires $13\frac{1}{2}$ square feet for the seat and $13\frac{1}{2}$ square feet for the back. See Order Information in appendices.

Dimensions



Specification Information

Step 1.

LN20 A

Step 2. Frame

N no arm A

Step 3. Seat

O oak A

W walnut A

U upholstered A

C cork A

Step 4. Back

O oak A

W walnut A

U upholstered A

C cork A

Prices for Steps 1-4.

	O	W	U	C
LN20N O	\$1432	1562	1503	1188
W	\$1562	1691	1633	1318
U	\$1503	1633	1574	1260
C	\$1188	1318	1260	946

Step 5. Frame Finish

BK black A +\$0

WN warm grey A +\$0

DB3 glacier A +\$0

Step 6. Seat Finish

For oak (O)

WHN white oak A +\$0

Step 7. Seat Finish

For walnut (W)

OU walnut A +\$0

Step 8. Seat Finish

For cork (C)

LTC light cork A +\$0

Betwixt Counter Stool *continued*

HermanMiller Ancillary--Stools

Step 9. Seat Fabric *For upholstered (U)*

Price Category 7 <input type="checkbox"/> A	+\$133
Price Category 1 <input type="checkbox"/> A	+\$0
Price Category 2	+\$44
Price Category 4	+\$68
Price Category (Geiger) 4	+\$68
Price Category (Geiger) 5	+\$98
Price Category (Geiger) 7	+\$160
Price Category (Geiger) 8	+\$244
Price Category 9	+\$302
Price Category (Geiger) 10	+\$348
Price Category (Geiger) 11	+\$389
Price Category (Geiger) 14	+\$510
Price Category (Geiger) C	+\$50
Price Category (Geiger) D	+\$66
Price Category (Geiger) G	+\$96
Price Category (Geiger) J	+\$228

Step 10. Back Finish

For oak (O)

WHN white oak <input type="checkbox"/> A	+\$0
---	------

For walnut (W)

OU walnut <input type="checkbox"/> A	+\$0
---	------

For cork (C)

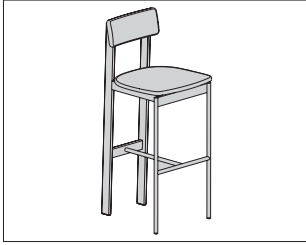
LTC light cork <input type="checkbox"/> A	+\$0
--	------

Step 11. Back Fabric *For upholstered (U)*

Price Category 7 <input type="checkbox"/> A	+\$133
Price Category 1 <input type="checkbox"/> A	+\$0
Price Category 2	+\$44
Price Category 4	+\$68
Price Category (Geiger) 4	+\$68
Price Category (Geiger) 5	+\$98
Price Category (Geiger) 7	+\$160
Price Category (Geiger) 8	+\$244
Price Category 9	+\$302
Price Category (Geiger) 10	+\$348
Price Category (Geiger) 11	+\$389
Price Category (Geiger) 14	+\$510
Price Category (Geiger) C	+\$50
Price Category (Geiger) D	+\$66
Price Category (Geiger) G	+\$96
Price Category (Geiger) J	+\$228

Betwixt Bar Stool

LN30N



Product Information

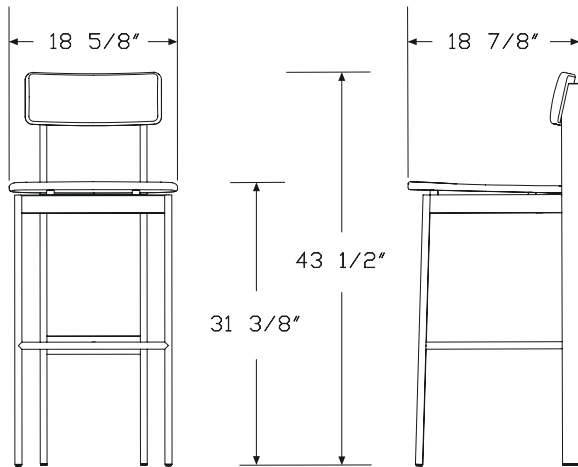
Description

This stool has a steel tube frame with a choice of solid wood, cork, or upholstered seat and back. Stool comes standard with polymer glides suitable for multiple floor surfaces.

Notes

Customer's Own Material (COM) requires $\frac{3}{4}$ yards for the seat and $\frac{3}{4}$ yards for the back. Customer's Own Leather (COL) requires $13\frac{1}{2}$ square feet for the seat and $13\frac{1}{2}$ square feet for the back. See Order Information in appendices.

Dimensions



Specification Information

Step 1.

LN30

Step 2. Frame

N no arm

Step 3. Seat

O oak

W walnut

U upholstered

C cork

Step 4. Back

O oak

W walnut

U upholstered

C cork

Prices for Steps 1-4.

		O	W	U	C
LN30N	O	\$1432	1562	1503	1188
	W	\$1562	1691	1633	1318
	U	\$1503	1633	1574	1260
	C	\$1188	1318	1260	946

Step 5. Frame Finish

BK black +\$0

WN warm grey +\$0

DB3 glacier +\$0

Step 6. Seat Finish

For oak (O)

WHN white oak +\$0

For walnut (W)

OU walnut +\$0

For cork (C)

LTC light cork +\$0

Step 7. Seat Fabric
For upholstered (U)

Price Category 1 <input type="checkbox"/> A	+\$0
Price Category 2	+\$44
Price Category 4	+\$68
Price Category (Geiger) 4	+\$68
Price Category (Geiger) 5	+\$98
Price Category 7 <input type="checkbox"/> A	+\$133
Price Category (Geiger) 7	+\$160
Price Category (Geiger) 8	+\$244
Price Category 9	+\$302
Price Category (Geiger) 10	+\$348
Price Category (Geiger) 11	+\$389
Price Category (Geiger) 14	+\$510
Price Category (Geiger) C	+\$50
Price Category (Geiger) D	+\$66
Price Category (Geiger) G	+\$96
Price Category (Geiger) J	+\$228

Step 8. Back Finish

For oak (O)

WHN white oak <input type="checkbox"/> A	+\$0
---	------

For walnut (W)

OU walnut <input type="checkbox"/> A	+\$0
---	------

For cork (C)

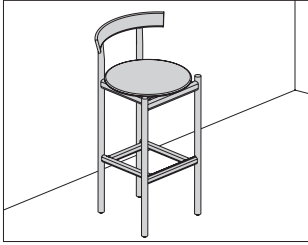
LTC light cork <input type="checkbox"/> A	+\$0
--	------

Step 9. Back Fabric
For upholstered (U)

Price Category 1 <input type="checkbox"/> A	+\$0
Price Category 2	+\$44
Price Category 4	+\$68
Price Category (Geiger) 4	+\$68
Price Category (Geiger) 5	+\$98
Price Category 7 <input type="checkbox"/> A	+\$133
Price Category (Geiger) 7	+\$160
Price Category (Geiger) 8	+\$244
Price Category 9	+\$302
Price Category (Geiger) 10	+\$348
Price Category (Geiger) 11	+\$389
Price Category (Geiger) 14	+\$510
Price Category (Geiger) C	+\$50
Price Category (Geiger) D	+\$66
Price Category (Geiger) G	+\$96
Price Category (Geiger) J	+\$228

Comma Bar Stool

WA30N

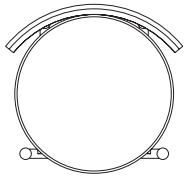


Product Information

Description

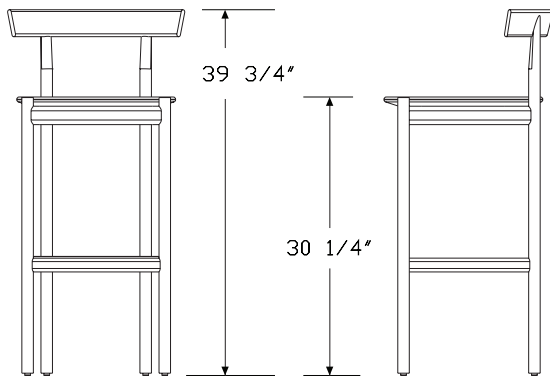
This bar-height stool has a solid wood seat and frame. The back hoop is bent plywood with veneer finish. Optional upholstered seat has a wood core with 1/2" foam covered with textile or leather. All models come standard with nylon glides.

Dimensions



← 19 1/2" →

← 18 3/8" →



39 3/4"

30 1/4"

Specification Information

Step 1.

WA30 A

Step 2. Configuration

N no arms A

Step 3. Seat

U upholstered A

N non-upholstered A

Step 4. Frame and Back

B beech A

O oak A

Prices for Steps 1-4.

	B	O
WA30N U	\$1470	1655
N	\$1470	1655

Step 5. Frame and Back Finish

For oak (O)

WHN white oak A +\$0

For beech (B)

BSB blue stained beech A +\$0

RST red stained beech A +\$0

WTS white stained beech A +\$0

YRB black stained beech A +\$0

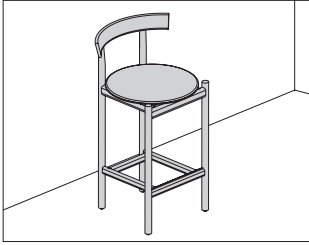
Step 6. Seat Upholstery

For upholstered (U)

Price Category 10M +\$294

Comma Counter Stool

WA20N

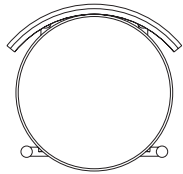


HermanMiller Ancillary--Stools

Product Information

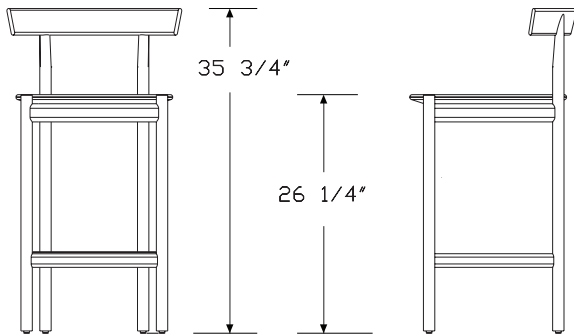
Description
 This counter-height stool has a solid wood seat and frame. The back hoop is bent plywood with veneer finish. Optional upholstered seat has a wood core with 1/2" foam covered with textile or leather. All models come standard with nylon glides.

Dimensions



← 19 1/2" →

← 18 3/8" →



Specification Information

Step 1.

WA20 A

Step 2. Configuration

N no arms A

Step 3. Seat

U upholstered A

N non-upholstered A

Step 4. Frame and Back

O oak A

B beech A

Prices for Steps 1-4.

		O	B
WA20N	U	\$1655	1470
	N	\$1655	1470

Step 5. Frame and Back Finish

For oak (O)

WHN white oak A +\$0

For beech (B)

BSB blue stained beech A +\$0

RST red stained beech A +\$0

WTS white stained beech A +\$0

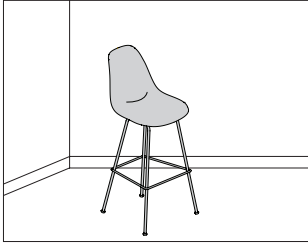
YRB black stained beech A +\$0

Step 6. Seat Upholstery

For upholstered (U)

Price Category 10M +\$294

Eames® Molded Fiberglass Stool DFHBX.
 DFHCX.

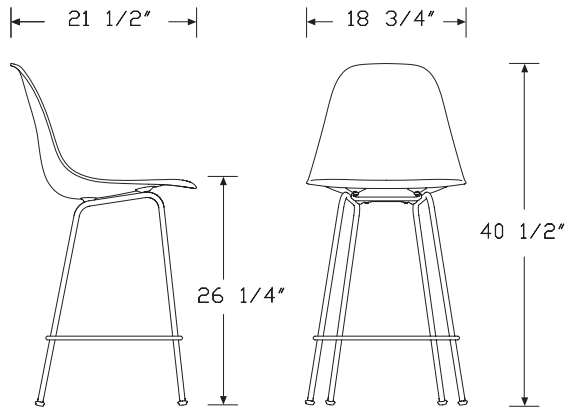


Product Information

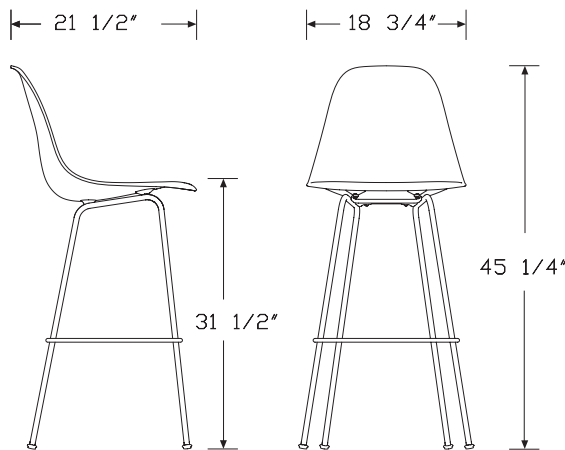
Description

This stool has a single-piece nonupholstered shell with waterfall edges and molded fiberglass seat and flexible back. Standard glides can be ordered with or without felt. Ships assembled.

Dimensions



counter height



bar height

Specification Information

Step 1.

DFH

Step 2. Base Height

CX. counter height stool

BX. bar height stool

Prices for Steps 1-2.

DFHCX.	\$1226
DFHBX.	\$1257

Step 3. Base Finish

91	white	+\$0
BK	black	+\$0
47	trivalent chrome	+\$40

Step 4. Seat/Back Finish

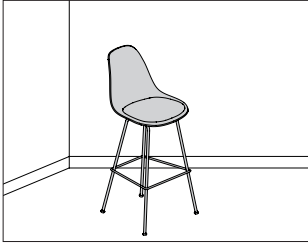
111	parchment	+\$0
112	elephant hide grey	+\$0
114	red orange	+\$0
117	navy blue	+\$0
118	black	+\$0
TCA	terra cotta	+\$0
DKS	dark seafoam	+\$0

Step 5. Glide Option

E7	metal swivel glide	+\$50
E8	standard glide	+\$0
E9	standard glide with felt bottom	+\$25

Eames® Upholstered Molded
Fiberglass Stool

DFHBX.
DFHCX.



Product Information

Description

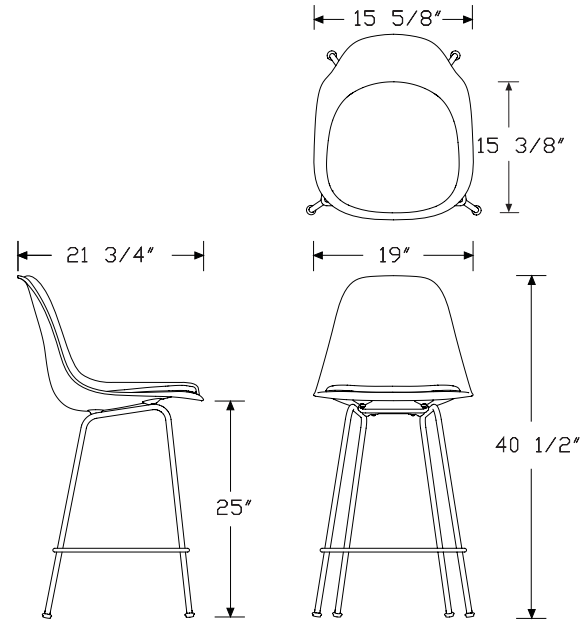
This stool has a molded 1-piece construction with waterfall edges, molded fiberglass seat and flexible back. It has a fully upholstered shell or an attached upholstered seat pad. Seat pad is easily removable for cleaning or reupholstery. Standard glides can be ordered with or without felt. Ships assembled.

Notes

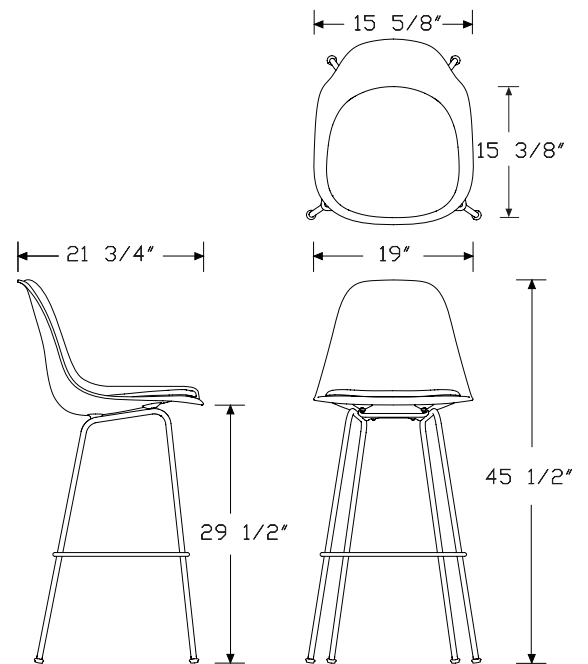
Seat pad is upholstered with textiles or leather for indoor use only. For upholstered seat pad (P), Customer's Own Material (COM) requires 1 yard. Customer's Own Leather (COL) requires 9 square feet. See Order Information in appendices.

HermanMiller Ancillary--Stools

Dimensions



counter height



bar height

Eames® Upholstered Molded Fiberglass Stool *continued*

Specification Information

Step 1.

DFH A

Step 2. Base Height

CX. counter height A

BX. bar height A

Step 3. Upholstery

U fully upholstered shell A

P upholstered seat pad A

Prices for Steps 1-3.

DFHCX. U	\$1541
P	\$1401

DFHBX. U	\$1568
P	\$1430

Step 4. Base Finish

91 white A +\$0

BK black A +\$0

47 trivalent chrome A +\$40

Step 5. Seat/Back Finish

For upholstered seat pad (P)

111 parchment A +\$0

112 elephant hide grey A +\$0

114 red orange A +\$0

117 navy blue A +\$0

118 black A +\$0

TCA terra cotta A +\$0

DKS dark seafoam A +\$0

For fully upholstered shell (U)

111 parchment A +\$0

112 elephant hide grey A +\$0

114 red orange A +\$0

117 navy blue A +\$0

118 black A +\$0

TCA terra cotta A +\$0

DKS dark seafoam A +\$0

Step 6. Edge Finish

For fully upholstered shell (U)

111 parchment A +\$0

BK black A +\$0

ZF white A +\$0

Step 7. Upholstery

For fully upholstered shell (U)

Price Category 2 +\$31

Price Category 4 +\$41

Price Category 5 +\$73

Price Category 7 +\$138

Price Category B +\$54

Price Category H +\$254

Price Category J +\$348

Price Category K +\$456

For upholstered seat pad (P)

Price Category 1 +\$0

Price Category 2 +\$31

Price Category (Geiger) 2 +\$31

Price Category 3 +\$36

Price Category 4 +\$41

Price Category (Geiger) 4 +\$41

Price Category 5 +\$73

Price Category (Geiger) 5 +\$73

Price Category (Geiger) 6 +\$97

Price Category 7 +\$138

Price Category (Geiger) 7 +\$133

Price Category 8 +\$181

Price Category (Geiger) 8 +\$175

Price Category 9 +\$259

Price Category 10 +\$281

Price Category 11 +\$314

Price Category B +\$54

Price Category C +\$60

Price Category D +\$83

Price Category E +\$107

Price Category F +\$154

Price Category G +\$204

Price Category I +\$300

Price Category J +\$348

Price Category K +\$456

Price Category R +\$793

Eames® Upholstered Molded
Fiberglass Stool *continued*

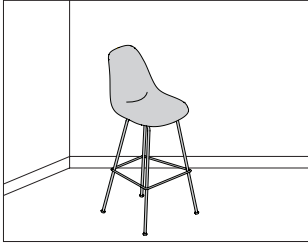
Step 8. Glide Option

E7	metal swivel glide <input type="checkbox"/> A	+\$50
E8	standard glide <input type="checkbox"/> A	+\$0
E9	standard glide with felt bottom <input type="checkbox"/> A	+\$25

HermanMiller Ancillary—Stools

Eames® Molded Plastic Stool

DSHBX.
DSHCX.

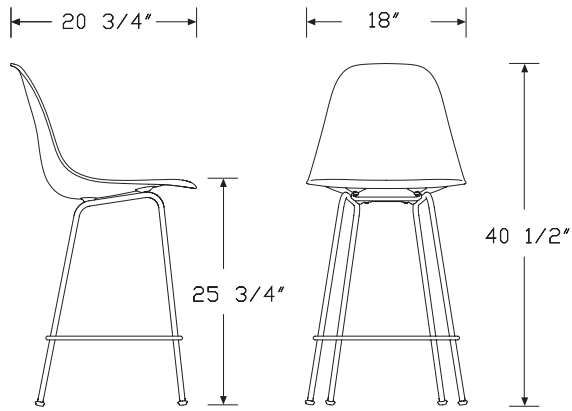


Product Information

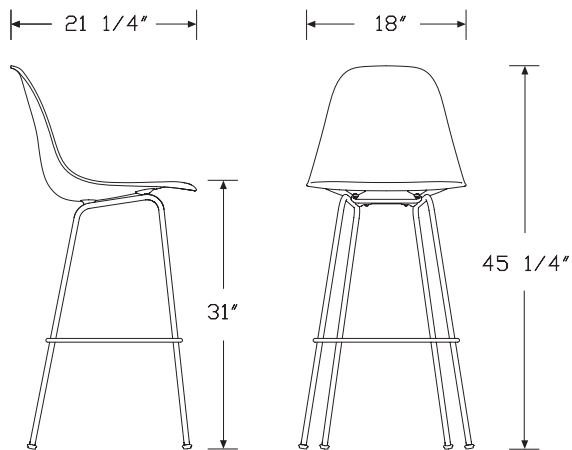
Description

This stool has a single-piece nonupholstered shell with waterfall edges and molded plastic seat and flexible back. Standard glides can be ordered with or without felt. Ships assembled.

Dimensions



counter height



bar height

Specification Information

Step 1.

DSH

Step 2. Base Height

CX. counter height stool

BX. bar height stool

Prices for Steps 1-2.

DSHCX.	\$765
DSHBX.	\$792

Step 3. Base Finish

91	white	+\$0
BK	black	+\$0
47	trivalent chrome	+\$40

Step 4. Seat/Back Finish

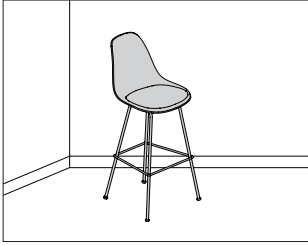
BKR	brick red	+\$0
BLG	blue green	+\$0
CC1	cocoa	+\$0
DYL	deep yellow	+\$0
EVG	evergreen	+\$0
LTY	light grey	+\$0
MGR	medium grey	+\$0
PBU	pale blue	+\$0
RYG	grey green	+\$0
ZA	black	+\$0
ZE	red orange	+\$0
ZF	white	+\$0

Step 5. Glide Option

E7	metal swivel glide	+\$0
E8	standard glide	+\$0
E9	standard glide with felt bottom	+\$25

Eames® Upholstered Molded Plastic Stool

DSHBX.
DSHCX.



Product Information

Description

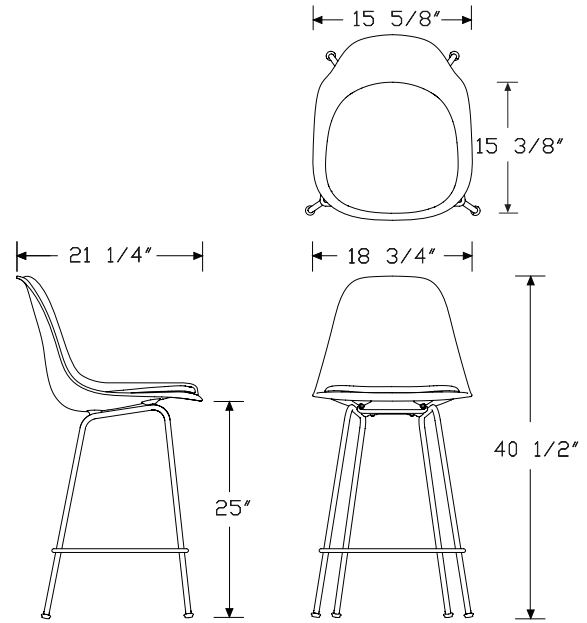
This stool has a molded 1-piece construction with waterfall edges, molded plastic seat and flexible back. It has a fully upholstered shell or an attached upholstered seat pad. Seat pad is easily removable for cleaning or replacement. Standard glides can be ordered with or without felt. Ships assembled.

Notes

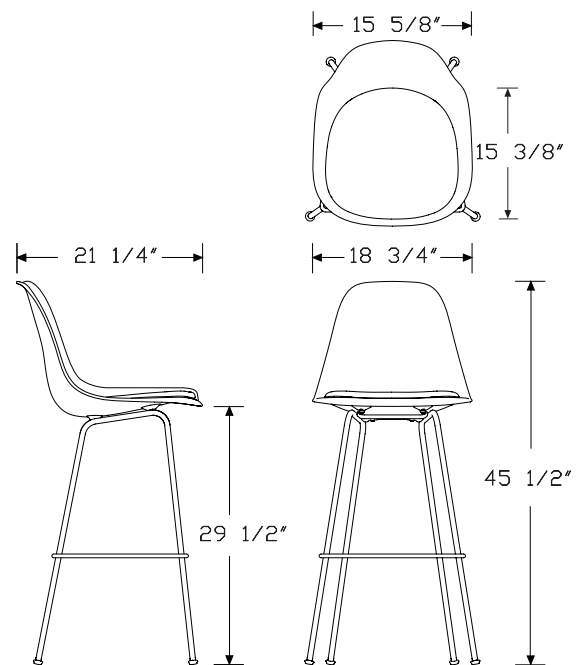
Seat pad is upholstered with textiles or leather for indoor use only. For upholstered seat pad (P), Customer's Own Material (COM) requires 1 yard. Customer's Own Leather (COL) requires 9 square feet. See Order Information in appendices.

HermanMiller Ancillary--Stools

Dimensions



Counter Height



Bar Height

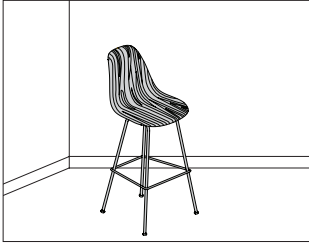
Eames® Upholstered Molded Plastic Stool *continued*

Specification Information	
Step 1.	
DSH	<input type="checkbox"/> A
Step 2. Base Height	
CX.	counter height <input type="checkbox"/> A
BX.	bar height <input type="checkbox"/> A
Step 3. Upholstery	
U	fully upholstered shell <input type="checkbox"/> A
P	upholstered seat pad <input type="checkbox"/> A
Prices for Steps 1-3.	
DSHCX.U	\$1056
P	\$927
DSHBX.U	\$1086
P	\$956
Step 4. Base Finish	
91	white <input type="checkbox"/> A +\$0
BK	black <input type="checkbox"/> A +\$0
47	trivalent chrome <input type="checkbox"/> A +\$40
Step 5. Seat/Back Finish	
BKR	brick red <input type="checkbox"/> A +\$0
BLG	blue green <input type="checkbox"/> A +\$0
CC1	cocoa <input type="checkbox"/> A +\$0
DYL	deep yellow <input type="checkbox"/> A +\$0
EVG	evergreen <input type="checkbox"/> A +\$0
LTY	light grey <input type="checkbox"/> A +\$0
MGR	medium grey <input type="checkbox"/> A +\$0
PBU	pale blue <input type="checkbox"/> A +\$0
RYG	grey green <input type="checkbox"/> A +\$0
ZA	black <input type="checkbox"/> A +\$0
ZE	red orange <input type="checkbox"/> A +\$0
ZF	white <input type="checkbox"/> A +\$0
Step 6. Edge Finish	
<i>For fully upholstered shell (U)</i>	
111	parchment <input type="checkbox"/> A +\$0
BK	black <input type="checkbox"/> A +\$0
ZF	white <input type="checkbox"/> A +\$0

Step 7. Upholstery	
<i>For fully upholstered shell (U)</i>	
Price Category 2	+\$31
Price Category 4	+\$41
Price Category 5	+\$73
Price Category 7	+\$138
Price Category B	+\$54
Price Category H	+\$254
Price Category J	+\$348
Price Category K	+\$456
<i>For upholstered seat pad (P)</i>	
Price Category 1	+\$0
Price Category 2	+\$31
Price Category (Geiger) 2	+\$31
Price Category 3	+\$36
Price Category 4	+\$41
Price Category (Geiger) 4	+\$41
Price Category 5	+\$73
Price Category (Geiger) 5	+\$73
Price Category (Geiger) 6	+\$97
Price Category 7	+\$138
Price Category (Geiger) 7	+\$133
Price Category 8	+\$181
Price Category (Geiger) 8	+\$175
Price Category 9	+\$259
Price Category 10	+\$281
Price Category 11	+\$314
Price Category B	+\$54
Price Category C	+\$60
Price Category D	+\$83
Price Category E	+\$107
Price Category F	+\$154
Price Category G	+\$204
Price Category I	+\$300
Price Category J	+\$348
Price Category K	+\$456
Price Category R	+\$793
Step 8. Glide Option	
E7	metal swivel glide <input type="checkbox"/> A +\$0
E8	standard glide <input type="checkbox"/> A +\$0
E9	standard glide with felt bottom <input type="checkbox"/> A +\$25

Eames® Molded Wood Stool

DWHBX.
DWHCX.



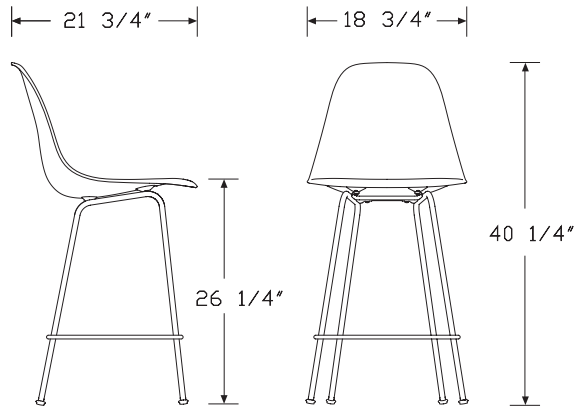
HermanMiller Ancillary--Stools

Product Information

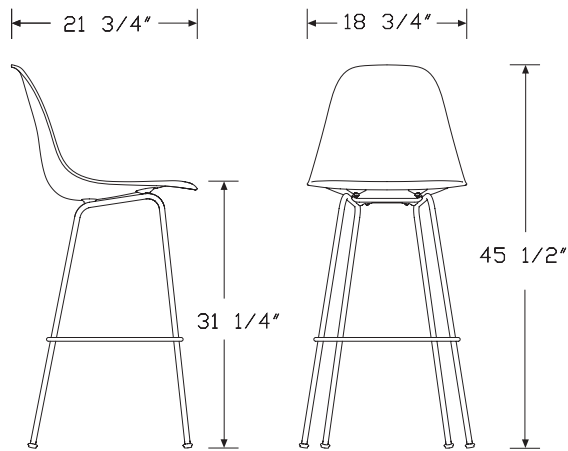
Description

This stool has a single-piece molded construction with waterfall edges, and is 0.260" thick. Base is attached by nonremovable wooden shock mounts. Standard glides can be ordered with or without felt. Ships assembled.

Dimensions



counter height



bar height

Specification Information

Step 1.

DWH

Step 2. Base Height

CX. counter height stool

BX. bar height stool

Prices for Steps 1-2.

DWHCX.	\$1567
DWHBX.	\$1596

Step 3. Base Finish

91	white	+\$0
BK	black	+\$0
47	trivalent chrome	+\$40

Step 4. Seat/Back Finish

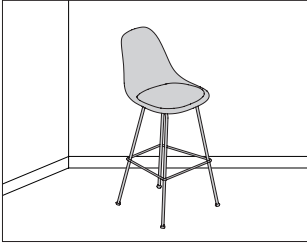
OU	walnut	+\$0
A2	white ash	+\$116
EN	ebony	+\$116
9N	santos palisander	+\$289

Step 5. Glide Option

E7	metal swivel glide	+\$0
E8	standard glide	+\$0
E9	standard glide with felt bottom	+\$25

Eames® Upholstered Molded Wood Stool

DWHBX.
DWHCX.



Product Information

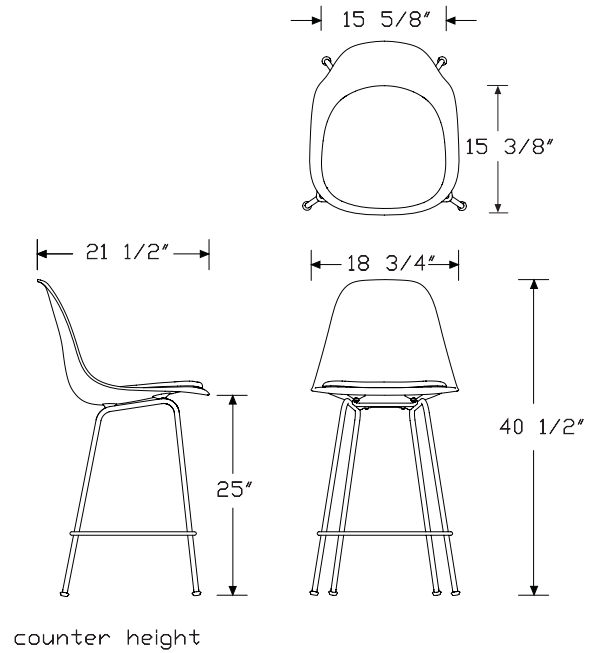
Description

This stool has a molded 1-piece construction with waterfall edges, and is 0.260" thick. It comes with an attached upholstered seat pad that is easily removable for cleaning or reupholstery. Base is attached by nonremovable wooden shock mounts. Base options include bar and counter heights. Standard glides can be ordered with or without felt. Ships assembled.

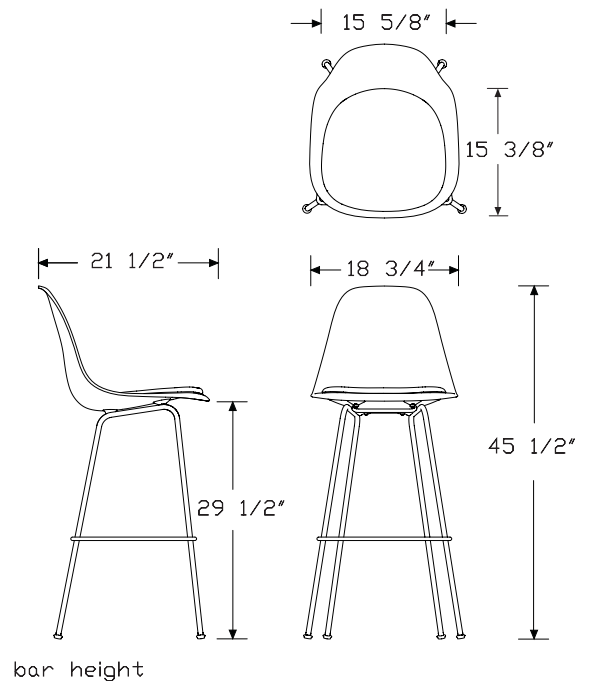
Notes

Seat pad is upholstered with textiles or leather for indoor use only. Customer's Own Material (COM) requires 1 yard. Customer's Own Leather (COL) requires 9 square feet. See Order Information in appendices.

Dimensions



counter height



bar height

HermanMiller Ancillary-Stools

Eames® Upholstered Molded Wood Stool *continued*

Specification Information	
Step 1.	
DWH	<input type="checkbox"/> A
Step 2. Base Height	
BX.	bar height <input type="checkbox"/> A
CX.	counter height <input type="checkbox"/> A
Step 3. Upholstery	
P	upholstered seat pad <input type="checkbox"/> A
Prices for Steps 1-3.	
DWHBX.P	\$1759
DWHCX.P	\$1732
Step 4. Base Finish	
91	white <input type="checkbox"/> A +\$0
BK	black <input type="checkbox"/> A +\$0
47	trivalent chrome <input type="checkbox"/> A +\$40
Step 5. Seat/Back Finish	
OU	walnut <input type="checkbox"/> A +\$0
A2	white ash <input type="checkbox"/> A +\$116
EN	ebony <input type="checkbox"/> A +\$116
9N	santos palisander <input type="checkbox"/> A +\$289

Step 6. Upholstery	
Price Category 1	+\$0
Price Category 2	+\$31
Price Category (Geiger) 2	+\$31
Price Category 3	+\$36
Price Category 4	+\$41
Price Category (Geiger) 4	+\$41
Price Category 5	+\$73
Price Category (Geiger) 5	+\$73
Price Category (Geiger) 6	+\$97
Price Category 7	+\$138
Price Category (Geiger) 7	+\$133
Price Category 8	+\$181
Price Category (Geiger) 8	+\$175
Price Category 9	+\$259
Price Category 10	+\$281
Price Category 11	+\$314
Price Category B	+\$36
Price Category C	+\$60
Price Category D	+\$83
Price Category E	+\$107
Price Category F	+\$154
Price Category G	+\$204
Price Category H	+\$252
Price Category I	+\$300
Price Category J	+\$348
Price Category K	+\$456
Price Category R	+\$793
Step 7. Glide Option	
E7	metal swivel glide <input type="checkbox"/> A +\$0
E8	standard glide <input type="checkbox"/> A +\$0
E9	standard glide with felt bottom <input type="checkbox"/> A +\$25

Eames® Wire Stool

DKHBX.
DKHCX.



Product Information

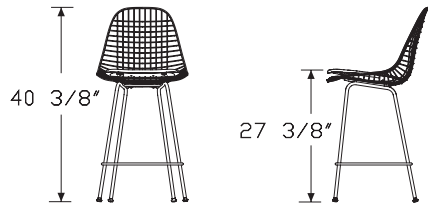
Description

This stool has a wire shell, a wire shell with upholstered seat and back, or a wire shell with upholstered seat and wire back. It comes in bar height or counter height. Wire shell and metal bases are available in trivalent chrome, white or black. Stool comes with standard indoor glides with or without felt. Suitable for indoor use only.

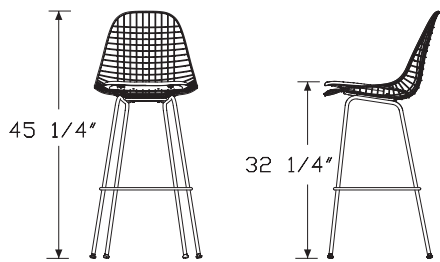
Notes

Customer's Own Material (COM) requires 1 yard. See Order Information in appendices.

Dimensions



Counter Height, Upholstered Seat



Bar Height, Upholstered Seat

Specification Information

Step 1.

DKH A

Step 2. Base Height

BX. bar height stool A

CX. counter height stool A

Step 3. Seat/Back Material

0 wire shell

2 wire shell/upholstered seat/back

5 wire shell/upholstered seat/wire back

Prices for Steps 1-3.

DKHBX.0	\$1466
2	\$2135
5	\$1808

DKHCX.0	\$1440
2	\$2109
5	\$1780

Step 4. Seat Frame/Leg Finish

For wire shell (0) or wire shell/upholstered seat/wire back (5)

47 trivalent chrome	+\$40
91 white	+\$0
BK black	+\$0

For wire shell/upholstered seat/back (2)

47 trivalent chrome <input type="checkbox"/> A	+\$40
91 white <input type="checkbox"/> A	+\$0
BK black <input type="checkbox"/> A	+\$0

Step 5. Upholstery

For wire shell/upholstered seat/back (2)

Price Category 5	+\$73
Price Category 9	+\$259
Price Category 11	+\$314
Price Category D	+\$95
Price Category K	+\$456

Eames® Wire Stool *continued*

HermanMiller Ancillary—Stools

For wire shell/upholstered seat/wire back (5)

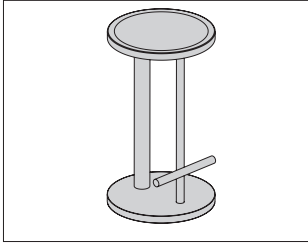
Price Category 10	+\$281
Price Category (Geiger) D	+\$0
Price Category 1	+\$0
Price Category 2	+\$31
Price Category 4	+\$41
Price Category 5	+\$73
Price Category (Geiger) 5	+\$73
Price Category (Geiger) 8	+\$175
Price Category 9	+\$259
Price Category 11	+\$314
Price Category C	+\$60
Price Category H	+\$252
Price Category I	+\$300
Price Category J	+\$348
Price Category K	+\$456

Step 6. Glide Option

E8	standard glide <input type="checkbox"/> A	+\$0
E9	standard glide with felt bottom <input type="checkbox"/> A	+\$25

Spot Stool

MAS18
MAS24
MAS30

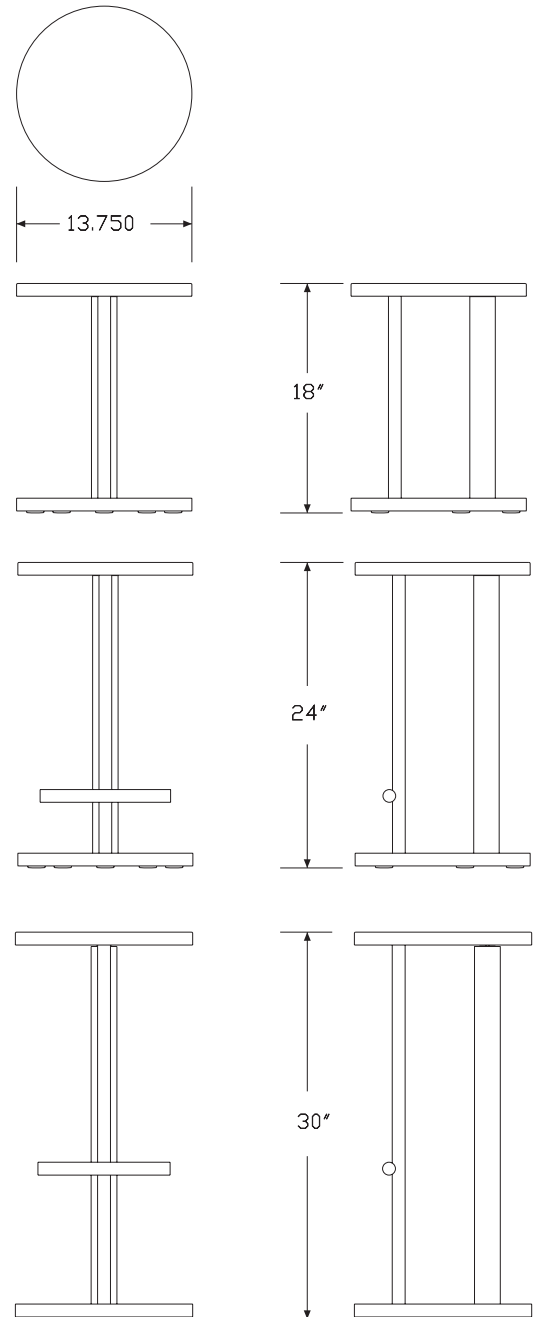


Product Information

Description

This wood and steel stool is available in an 18" occasional height, 24" counter height, and 30" bar height. Counter and bar height stools include a footrest. Stool diameter is 13³/₄".

Dimensions



Spot Stool *continued*

Specification Information

Step 1.

MAS A

Step 2. Height

18 18" high A

24 24" high A

30 30" high A

Prices for Steps 1-2.

MAS18 \$1927

MAS24 \$1954

MAS30 \$1979

Step 3. Wood Finish

A2 white ash A +\$0

EN ebony on ash A +\$0

OU walnut A +\$100

Step 4. Metal Post and Footrest Finish

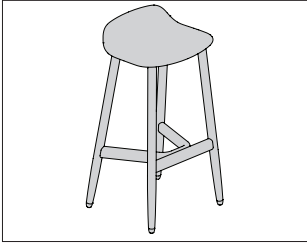
SAC satin chrome A +\$0

BK black A +\$0

BAS brass A +\$50

Crosshatch Stool

SEB1B
SEB1C

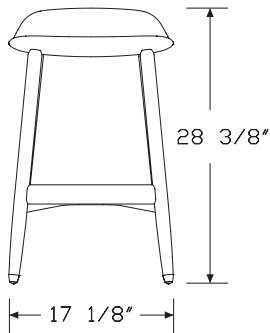


Product Information

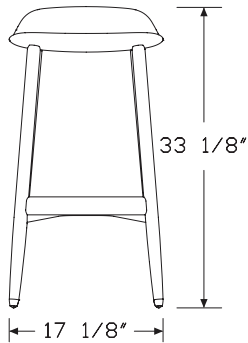
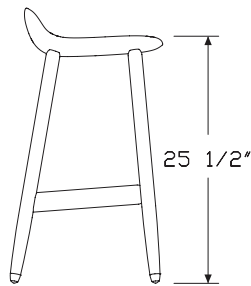
Description

This solid wood stool is available in bar and counter height. Wood options are ash or walnut.

Dimensions



Counter Height



Bar Height

Specification Information

Step 1.

SEB1 A

Step 2. Configuration

CX counter height A

BX bar height A

Step 3. Frame Finish

A ash A

W walnut A

Prices for Steps 1-3.

SEB1CX A	\$2376
W	\$2376

SEB1BX A	\$2401
W	\$2401

Step 4. Wood Finish

Anigre Veneer - Low Sheen

For ash (A)

967 smoked paldao, low sheen <input type="checkbox"/> A	+\$0
969 warm paldao, low sheen <input type="checkbox"/> A	+\$0

Crosshatch Stool *continued*

Premium Veneer - Low Sheen

For ash (A)

G2U	light brown walnut, low sheen <input type="checkbox"/>	+\$0
G40	dark brown walnut, low sheen <input type="checkbox"/>	+\$0
940	sundance cherry on maple <input type="checkbox"/>	+\$0
943	caramel cherry <input type="checkbox"/>	+\$0
946	cocoa cherry <input type="checkbox"/>	+\$0
956	cocoa sapele <input type="checkbox"/>	+\$0
962	toasted walnut, low sheen <input type="checkbox"/>	+\$0
963	charred walnut, low sheen <input type="checkbox"/>	+\$0
964	bronzed walnut, low sheen <input type="checkbox"/>	+\$0
965	smoked walnut, low sheen <input type="checkbox"/>	+\$0
966	coffee walnut, low sheen <input type="checkbox"/>	+\$0
977	chocolate ash, low sheen <input type="checkbox"/>	+\$0
98R	recograin rosewood <input type="checkbox"/>	+\$0
991	champagne ash <input type="checkbox"/>	+\$0
998	ebony ash <input type="checkbox"/>	+\$0
99A	recograin frosty ash <input type="checkbox"/>	+\$0
99R	recograin rosewood <input type="checkbox"/>	+\$0
99T	recograin teak <input type="checkbox"/>	+\$0
9A1	white ash, quarter cut, low sheen <input type="checkbox"/>	+\$0
9K1	rift oak, rift cut, low sheen <input type="checkbox"/>	+\$0
9K6	burnt oak, rift cut, low sheen <input type="checkbox"/>	+\$0

Premium Veneer - Matte

For ash (A)

66A	recograin frosty ash <input type="checkbox"/>	+\$0
677	chocolate ash, matte sheen <input type="checkbox"/>	+\$0
68R	recograin rosewood <input type="checkbox"/>	+\$0
69A	recograin frosty ash <input type="checkbox"/>	+\$0
69R	recograin rosewood <input type="checkbox"/>	+\$0
69T	recograin teak <input type="checkbox"/>	+\$0
6A1	white ash <input type="checkbox"/>	+\$0
6K1	rift oak <input type="checkbox"/>	+\$0
6K6	burnt oak <input type="checkbox"/>	+\$0
ET	clear on ash <input type="checkbox"/>	+\$0
EU	oak on ash <input type="checkbox"/>	+\$0
EV	walnut on ash <input type="checkbox"/>	+\$0
GOU	natural walnut, flat cut, matte sheen <input type="checkbox"/>	+\$0

RecoGrain Veneer

For ash (A)

68W	recograin walnut, flat cut, matte sheen <input type="checkbox"/>	+\$0
69W	recograin walnut, quarter cut, matte sheen <input type="checkbox"/>	+\$0

Recon Veneer -

For ash (A)

98W	recograin walnut, flat cut, low sheen <input type="checkbox"/>	+\$0
99W	recograin walnut, quarter cut, low sheen <input type="checkbox"/>	+\$0

Anigre Veneer - Low Sheen

For walnut (W)

967	smoked paldao, low sheen <input type="checkbox"/>	+\$0
969	warm paldao, low sheen <input type="checkbox"/>	+\$0

Premium Veneer - Low Sheen

For walnut (W)

G2U	light brown walnut, low sheen <input type="checkbox"/>	+\$0
G40	dark brown walnut, low sheen <input type="checkbox"/>	+\$0
962	toasted walnut, low sheen <input type="checkbox"/>	+\$0
963	charred walnut, low sheen <input type="checkbox"/>	+\$0
964	bronzed walnut, low sheen <input type="checkbox"/>	+\$0
965	smoked walnut, low sheen <input type="checkbox"/>	+\$0
966	coffee walnut, low sheen <input type="checkbox"/>	+\$0
972	sundance walnut <input type="checkbox"/>	+\$0
98R	recograin rosewood <input type="checkbox"/>	+\$0
99R	recograin rosewood <input type="checkbox"/>	+\$0

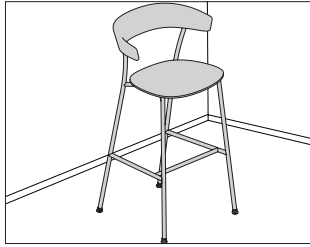
Premium Veneer - Matte

For walnut (W)

667	smoked paldao, quarter cut, matte sheen <input type="checkbox"/>	+\$0
669	warm paldao, quarter cut, matte sheen <input type="checkbox"/>	+\$0
662	toasted walnut, matte sheen <input type="checkbox"/>	+\$0
663	charred walnut, matte sheen <input type="checkbox"/>	+\$0
664	bronzed walnut, matte sheen <input type="checkbox"/>	+\$0
665	smoked walnut, matte sheen <input type="checkbox"/>	+\$0
666	coffee walnut, matte sheen <input type="checkbox"/>	+\$0
68R	recograin rosewood <input type="checkbox"/>	+\$0
69R	recograin rosewood <input type="checkbox"/>	+\$0
GOU	natural walnut, flat cut, matte sheen <input type="checkbox"/>	+\$0

Leeway™ Stool

SVSPB
SVSPC
SVSUA
SVSUW
SVSWA
SVSWW



Product Information

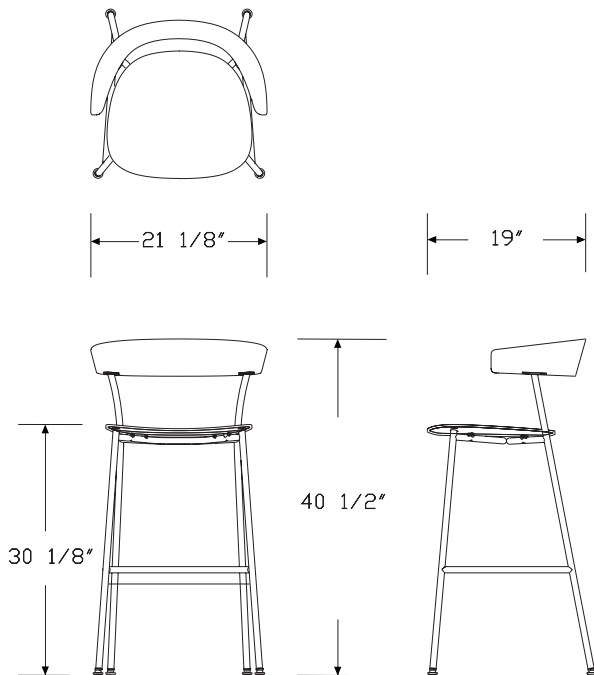
Description

This stool has a solid wood seat and back with a metal frame or a polyurethane seat and back with a metal frame. All options available with or without an upholstered seat.

Notes

Customer's Own Material (COM) requires 1/2 yard. Customer's Own Leather (COL) requires 9 square feet. See Order Information in appendices.

Dimensions



Specification Information

Step 1.

SVS A

Step 2. Seat/Back

U upholstered seat, wood back A

W wood seat and back A

P polyurethane seat and back A

Step 3. Wood Species

For upholstered seat, wood back (U) or wood seat and back (W)

A ash A

W walnut A

Step 4. Stool Height

B bar height A

C counter height A

Prices for Steps 1-4.

SVSUA	B	\$2121
	C	\$2109

SVSUW	B	\$2121
	C	\$2109

SVSWA	B	\$1989
	C	\$1977

SVSWW	B	\$1989
	C	\$1977

Step 5. Frame Finish

BK black A +\$0

SAC satin chrome A +\$104

Step 6. Seat/Back Finish

For upholstered seat, wood back (U) or wood seat and back (W) with ash (A)

940	sundance cherry on maple, low sheen <input type="checkbox"/> A	+\$0
943	caramel cherry, low sheen <input type="checkbox"/> A	+\$0
946	cocoa cherry, low sheen <input type="checkbox"/> A	+\$0
956	cocoa sapele, low sheen <input type="checkbox"/> A	+\$0
966	coffee walnut, low sheen <input type="checkbox"/> A	+\$0
967	smoked paldao, low sheen <input type="checkbox"/> A	+\$0
969	warm paldao, low sheen <input type="checkbox"/> A	+\$0
96A	recograin frosty ash, low sheen <input type="checkbox"/> A	+\$0
96W	recograin walnut, low sheen <input type="checkbox"/> A	+\$0
977	chocolate ash, low sheen <input type="checkbox"/> A	+\$0
98R	recograin rosewood, low sheen <input type="checkbox"/> A	+\$0
98W	recograin walnut, low sheen <input type="checkbox"/> A	+\$0
991	champagne ash, low sheen <input type="checkbox"/> A	+\$0
998	ebony ash, low sheen <input type="checkbox"/> A	+\$0
99R	recograin rosewood, low sheen <input type="checkbox"/> A	+\$0
99T	recograin teak, low sheen <input type="checkbox"/> A	+\$0
99W	recograin walnut, low sheen <input type="checkbox"/> A	+\$0
9A1	white ash, low sheen <input type="checkbox"/> A	+\$0
9K1	rift oak, low sheen <input type="checkbox"/> A	+\$0
9K6	burnt oak, low sheen <input type="checkbox"/> A	+\$0
ED	aged cherry, low sheen <input type="checkbox"/> A	+\$0
EK	medium red walnut, low sheen <input type="checkbox"/> A	+\$0
G2U	light brown walnut, low sheen <input type="checkbox"/> A	+\$0
G40	dark brown walnut, low sheen <input type="checkbox"/> A	+\$0
UX	walnut on cherry, low sheen <input type="checkbox"/> A	+\$0

For upholstered seat, wood back (U) or wood seat and back (W) with ash (A)

662	toasted walnut, matte sheen <input type="checkbox"/> A	+\$0
663	charred walnut, matte sheen <input type="checkbox"/> A	+\$0
664	bronzed walnut, matte sheen <input type="checkbox"/> A	+\$0
665	smoked walnut, matte sheen <input type="checkbox"/> A	+\$0
666	coffee walnut, matte sheen <input type="checkbox"/> A	+\$0
667	smoked paldao, matte sheen <input type="checkbox"/> A	+\$0
669	warm paldao, matte sheen <input type="checkbox"/> A	+\$0
66A	recograin frosty ash, matte sheen <input type="checkbox"/> A	+\$0
66W	recograin walnut, matte sheen <input type="checkbox"/> A	+\$0
677	chocolate ash, matte sheen <input type="checkbox"/> A	+\$0
69A	recograin frosty ash, matte sheen <input type="checkbox"/> A	+\$0
69R	recograin rosewood, matte sheen <input type="checkbox"/> A	+\$0
69T	recograin teak, matte sheen <input type="checkbox"/> A	+\$0
69W	recograin walnut, matte sheen <input type="checkbox"/> A	+\$0
6A1	white ash, matte sheen <input type="checkbox"/> A	+\$0
6ET	clear on ash, matte sheen <input type="checkbox"/> A	+\$0
6EU	clear on oak, matte sheen <input type="checkbox"/> A	+\$0
6EV	walnut on ash, matte sheen <input type="checkbox"/> A	+\$0
6K1	rift oak, matte sheen <input type="checkbox"/> A	+\$0
6K6	burnt oak, matte sheen <input type="checkbox"/> A	+\$0
ET	clear on ash, matte sheen <input type="checkbox"/> A	+\$0
EU	oak on ash, matte sheen <input type="checkbox"/> A	+\$0
EV	walnut on ash, matte sheen <input type="checkbox"/> A	+\$0
GOU	walnut, matte sheen <input type="checkbox"/> A	+\$0

For upholstered seat, wood back (U) or wood seat and back (W) with walnut (W)

962	toasted walnut, low sheen <input type="checkbox"/> A	+\$0
963	charred walnut, low sheen <input type="checkbox"/> A	+\$0
964	bronzed walnut, low sheen <input type="checkbox"/> A	+\$0
965	smoked walnut, low sheen <input type="checkbox"/> A	+\$0
966	coffee walnut, low sheen <input type="checkbox"/> A	+\$0
967	smoked paldao, low sheen <input type="checkbox"/> A	+\$0
969	warm paldao, low sheen <input type="checkbox"/> A	+\$0
972	sundance walnut, low sheen <input type="checkbox"/> A	+\$0
98R	recograin rosewood, low sheen <input type="checkbox"/> A	+\$0
99R	recograin rosewood, low sheen <input type="checkbox"/> A	+\$0
EK	medium red walnut, low sheen <input type="checkbox"/> A	+\$0
G2U	light brown walnut, low sheen <input type="checkbox"/> A	+\$0
G40	dark brown walnut, low sheen <input type="checkbox"/> A	+\$0

Leeway™ Stool *continued*

For upholstered seat, wood back (U) or wood seat and back (W) with walnut (W)

662	toasted walnut, matte sheen <input type="checkbox"/>	+\$0
663	charred walnut, matte sheen <input type="checkbox"/>	+\$0
664	bronzed walnut, matte sheen <input type="checkbox"/>	+\$0
665	smoked walnut, matte sheen <input type="checkbox"/>	+\$0
666	coffee walnut, matte sheen <input type="checkbox"/>	+\$0
667	smoked paldao, matte sheen <input type="checkbox"/>	+\$0
669	warm paldao, matte sheen <input type="checkbox"/>	+\$0
68R	recograin rosewood, matte sheen <input type="checkbox"/>	+\$0
69R	recograin rosewood, matte sheen <input type="checkbox"/>	+\$0
6EV	walnut on ash, matte sheen <input type="checkbox"/>	+\$0
EV	walnut on ash, matte sheen <input type="checkbox"/>	+\$0
GOU	walnut, matte sheen <input type="checkbox"/>	+\$0

For polyurethane seat and back (P)

BK	black <input type="checkbox"/>	+\$0
-----------	--------------------------------	------

Step 7. Fabric

For upholstered seat, wood back (U)

Price Category 8	+\$162
Price Category 1	+\$0
Price Category (Geiger) 1	+\$0
Price Category 2	+\$30
Price Category (Geiger) 2	+\$30
Price Category (Geiger) 3	+\$37
Price Category 4	+\$46
Price Category (Geiger) 4	+\$46
Price Category 5	+\$66
Price Category (Geiger) 5	+\$66
Price Category (Geiger) 6	+\$86
Price Category (Geiger) 7	+\$107
Price Category (Geiger) 7	+\$107
Price Category (Geiger) 8	+\$162
Price Category 9	+\$202
Price Category (Geiger) 9	+\$202
Price Category (Geiger) 10	+\$232
Price Category (Geiger) 11	+\$260
Price Category (Geiger) 14	+\$341
Price Category (Geiger) C	+\$54
Price Category D	+\$44
Price Category (Geiger) D	+\$44
Price Category E	+\$54
Price Category (Geiger) E	+\$54
Price Category F	+\$64
Price Category (Geiger) F	+\$64
Price Category G	+\$88

Price Category (Geiger) G	+\$88
Price Category (Geiger) H	+\$108
Price Category (Geiger) J	+\$152
Price Category (Geiger) L	+\$197
Price Category (Geiger) M	+\$220
Price Category (Geiger) R	+\$458
Price Category (Geiger) COL <input type="checkbox"/>	+\$43
Price Category (Geiger) COM <input type="checkbox"/>	+\$0

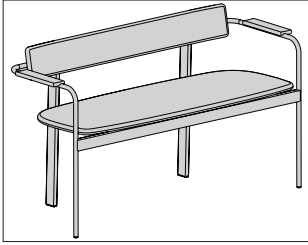
Step 8. Fire Retardancy

For upholstered seat, wood back (U)

NOCAL no cal-133 required <input type="checkbox"/>	+\$0
133 fire retardant <input type="checkbox"/>	+\$33

Betwixt Bench

LN40A



Product Information

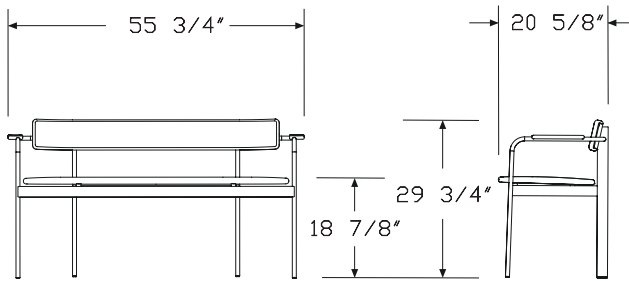
Description

This bench with arms has a steel tube frame with a choice of solid wood or upholstered seat and back. Arm finish options include solid oak or walnut. Bench comes standard with polymer glides suitable for multiple floor surfaces.

Notes

Customer's Own Material (COM) requires 1 $\frac{3}{4}$ yards for the seat and 1 $\frac{1}{2}$ yards for the back. Customer's Own Leather (COL) requires 31 $\frac{1}{2}$ square feet for the seat and 27 square feet for the back. See Order Information in appendices.

Dimensions



HermanMiller Ancillary-Benches

Specification Information

Step 1.

LN40 A

Step 2. Frame

A frame with arms A

Step 3. Seat

O oak A

W walnut A

U upholstered A

Step 4. Back

O oak A

W walnut A

U upholstered A

Prices for Steps 1-4.

	O	W	U
LN40A O	\$1821	2081	2017
W	\$2081	2341	2277
U	\$2017	2277	2211

Step 5. Frame Finish

BK black A +\$0

WN warm grey A +\$0

DB3 glacier A +\$0

Step 6. Seat Finish

For oak (O)

WHN white oak A +\$0

For walnut (W)

OU walnut A +\$0

Betwixt Bench *continued*

Step 7. Seat Fabric	
<i>For upholstered (U)</i>	
Price Category 2	+\$44
Price Category 4	+\$68
Price Category (Geiger) 4	+\$68
Price Category (Geiger) 5	+\$98
Price Category (Geiger) 7	+\$160
Price Category (Geiger) 8	+\$244
Price Category 9	+\$302
Price Category (Geiger) 10	+\$348
Price Category (Geiger) 11	+\$389
Price Category (Geiger) 14	+\$510
Price Category (Geiger) C	+\$50
Price Category (Geiger) D	+\$66
Price Category (Geiger) G	+\$96
Price Category (Geiger) J	+\$228

Step 8. Back Finish	
<i>For oak (O)</i>	
WHN white oak <input type="checkbox"/> A	+\$0

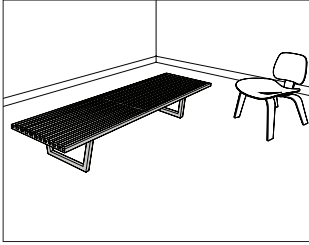
<i>For walnut (W)</i>	
OU walnut <input type="checkbox"/> A	+\$0

Step 9. Back Fabric	
<i>For upholstered (U)</i>	
Price Category 2	+\$44
Price Category 4	+\$68
Price Category (Geiger) 4	+\$68
Price Category (Geiger) 5	+\$98
Price Category (Geiger) 7	+\$160
Price Category (Geiger) 8	+\$244
Price Category 9	+\$302
Price Category (Geiger) 10	+\$348
Price Category (Geiger) 11	+\$389
Price Category (Geiger) 14	+\$510
Price Category (Geiger) C	+\$50
Price Category (Geiger) D	+\$66
Price Category (Geiger) G	+\$96
Price Category (Geiger) J	+\$228

Step 10. Arm Finish	
OU walnut <input type="checkbox"/> A	+\$0
WHN white oak <input type="checkbox"/> A	+\$0

Nelson™ Platform Bench

PB.

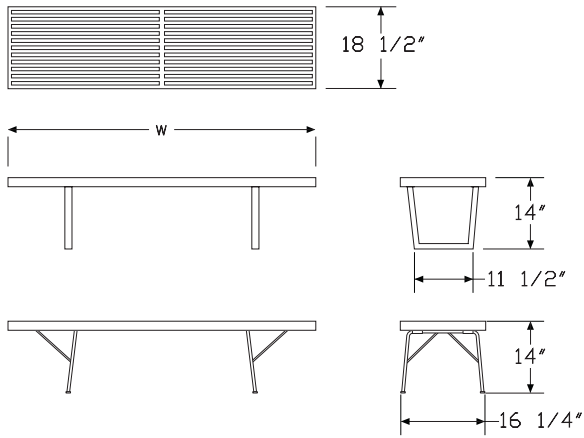


Product Information

Description

This bench has a slatted, clear-coat solid maple or walnut top and an ebonized wood or chrome metal base with metal leveling glides.

Dimensions



HermanMiller Ancillary-Benches

Specification Information

Step 1.

PB. A

Step 2. Width

- 48** 48" wide A
- 60** 60" wide A
- 72** 72" wide A

Step 3. Base

- M** trivalent chrome metal base A
- W** ebonized wood base A

Prices for Steps 1-3.

		M	W
PB.	48	\$1543	1543
	60	\$1675	1675
	72	\$1813	1813

Step 4. Slat Finish

For 48" wide (48)

- UL** natural maple A +\$209
- OU** walnut A +\$926

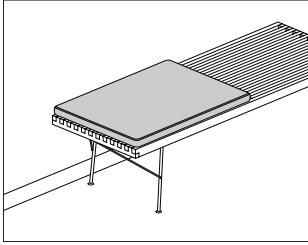
For 60" wide (60)

- UL** natural maple A +\$252
- OU** walnut A +\$1119

For 72" wide (72)

- UL** natural maple A +\$252
- OU** walnut A +\$1309

Nelson™ Platform Bench Cushion PBC.



Product Information

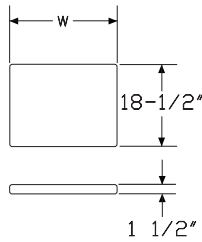
Description

This upholstered cushion fits on a Nelson® platform bench.

Notes

Customers Own Material (COM) requires 1 yard for 24"-wide cushion and 1½ yards for 36"-wide cushion. Customers Own Leather (COL) requires 15 square feet for 24"-wide cushion and 20 square feet for 36"-wide cushion. See Order Information in appendices.

Dimensions



Specification Information

Step 1.

PBC. A

Step 2. Width

24 24" wide A

36 36" wide A

Step 3. Material

F fabric A

Prices for Steps 1-3.

	F
PBC. 24	\$532
36	\$797

Step 4. Finish

See application chart and textiles list for fabric usage and numbers. First 2 digits of number indicate fabric line; remaining digit(s) indicate fabric color.

<i>For 24" wide (24) with fabric (F)</i>	
Price Category 1	+\$0
Price Category 2	+\$16
Price Category (Geiger) 2	+\$16
Price Category 3	+\$20
Price Category (Geiger) 3	+\$73
Price Category 4	+\$59
Price Category (Geiger) 4	+\$40
Price Category 5	+\$68
Price Category (Geiger) 5	+\$68
Price Category 6	+\$74
Price Category (Geiger) 6	+\$74
Price Category 7	+\$88
Price Category (Geiger) 7	+\$88
Price Category 8	+\$222
Price Category (Geiger) 8	+\$222
Price Category 9	+\$371
Price Category 10	+\$408
Price Category (Geiger) 10	+\$251
Price Category 10M	+\$562
Price Category (Geiger) 11	+\$445
Price Category 14	+\$534
Price Category C	+\$55
Price Category D	+\$71
Price Category E	+\$85
Price Category F	+\$166

HermanMiller Ancillary-Benches

Nelson™ Platform Bench Cushion

continued

HermanMiller Ancillary-Benches

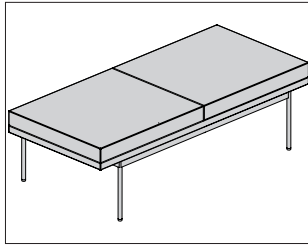
Price Category G	+\$215	Price Category L	+\$619
Price Category H	+\$262	Price Category M	+\$1246
Price Category I	+\$307	Price Category N	+\$756
Price Category J	+\$353	Price Category O	+\$823
Price Category K	+\$398	Price Category P	+\$892
Price Category L	+\$444	Price Category Q	+\$964
Price Category M	+\$623	Price Category R	+\$726
Price Category N	+\$650	Price Category X	+\$1412
Price Category O	+\$582	Price Category Y	+\$1488
Price Category P	+\$419	Price Category Z	+\$1459
Price Category Q	+\$450		
Price Category R	+\$484		
Price Category X	+\$942		
Price Category Y	+\$991		
Price Category Z	+\$1459		

For 36" wide (36) with fabric (F)

Price Category 1	+\$0
Price Category 2	+\$16
Price Category (Geiger) 2	+\$16
Price Category 3	+\$30
Price Category (Geiger) 3	+\$110
Price Category 4	+\$59
Price Category (Geiger) 4	+\$59
Price Category 5	+\$84
Price Category (Geiger) 5	+\$84
Price Category 6	+\$94
Price Category (Geiger) 6	+\$94
Price Category 7	+\$106
Price Category (Geiger) 7	+\$106
Price Category 8	+\$287
Price Category (Geiger) 8	+\$287
Price Category 9	+\$390
Price Category 10	+\$430
Price Category (Geiger) 10	+\$430
Price Category 10M	+\$844
Price Category (Geiger) 11	+\$468
Price Category 14	+\$562
Price Category C	+\$84
Price Category D	+\$106
Price Category E	+\$128
Price Category F	+\$205
Price Category G	+\$278
Price Category H	+\$347
Price Category I	+\$415
Price Category J	+\$484
Price Category K	+\$551

Tuxedo Component Lounge™
Bench

ST2BN
ST2BQ



Product Information

Description

This 17"-high bench has a foam and Dacron® seat with a painted or plated steel base.

Notes

Order ganging plates (STGP) separately.

Customer's Own Material (COM)/Customer's Own Leather (COL) requires the following:

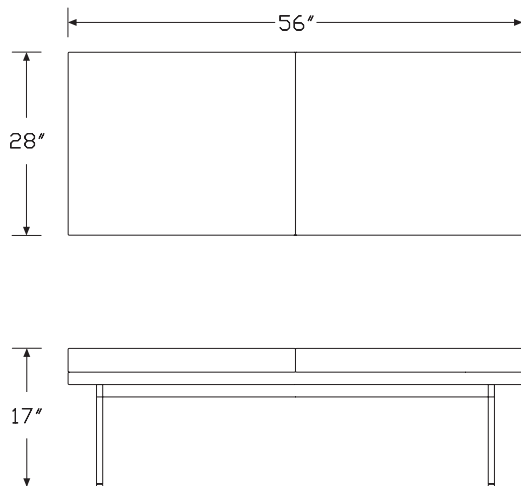
Type—COM—COL

Not quilted—3 yards—54 square feet

Quilted—3 yards—54 square feet

See Order Information in Appendices for more information.

Dimensions



Specification Information

Step 1.

ST2B A

Step 2. Upholstery Type

N not quilted A

Q quilted A

Prices for Steps 1-2.

ST2BN	\$2849
ST2BQ	\$2939

Step 3. Upholstery

For quilted (Q)

Price Category 1	+\$0
Price Category (Geiger) 1	+\$145
Price Category 2	+\$175
Price Category (Geiger) 2	+\$175
Price Category 3	+\$220
Price Category (Geiger) 3	+\$220
Price Category 4	+\$268
Price Category (Geiger) 4	+\$268
Price Category 5	+\$390
Price Category (Geiger) 5	+\$390
Price Category (Geiger) 6	+\$512
Price Category (Geiger) 7	+\$635
Price Category (Geiger) 8	+\$972
Price Category 9	+\$1206
Price Category (Geiger) 9	+\$1206
Price Category (Geiger) 10	+\$1387
Price Category (Geiger) 11	+\$1554
Price Category (Geiger) 14	+\$2036
Price Category (Geiger) A	+\$122
Price Category (Geiger) C	+\$197
Price Category D	+\$260
Price Category (Geiger) D	+\$260
Price Category (Geiger) E	+\$316
Price Category F	+\$379
Price Category (Geiger) F	+\$379
Price Category G	+\$516
Price Category (Geiger) G	+\$516
Price Category (Geiger) H	+\$642
Price Category (Geiger) I	+\$775
Price Category (Geiger) J	+\$910
Price Category (Geiger) K	+\$1043
Price Category (Geiger) L	+\$1176

Tuxedo Component Lounge™ Bench *continued*

HermanMiller Ancillary-Benches

Price Category (Geiger) M	+\$1309
Price Category (Geiger) N	+\$1440
Price Category (Geiger) O	+\$1577
Price Category (Geiger) P	+\$1706
Price Category (Geiger) Q	+\$1969
Price Category (Geiger) R	+\$2744
Price Category (Geiger) V	+\$3560
Price Category (Geiger) Z	+\$4378
Price Category (Geiger) COL A	+\$259
Price Category (Geiger) COM A	+\$0

For not quilted (N)

Price Category 1	+\$0
Price Category (Geiger) 1	+\$145
Price Category 2	+\$175
Price Category (Geiger) 2	+\$175
Price Category 3	+\$220
Price Category (Geiger) 3	+\$220
Price Category 4	+\$268
Price Category (Geiger) 4	+\$268
Price Category 5	+\$390
Price Category (Geiger) 5	+\$390
Price Category (Geiger) 6	+\$512
Price Category (Geiger) 7	+\$635
Price Category (Geiger) 8	+\$972
Price Category 9	+\$1206
Price Category (Geiger) 9	+\$1206
Price Category (Geiger) 10	+\$1387
Price Category (Geiger) 11	+\$1554
Price Category (Geiger) 14	+\$2036
Price Category (Geiger) A	+\$122
Price Category (Geiger) C	+\$197
Price Category D	+\$260
Price Category (Geiger) D	+\$260
Price Category E	+\$316
Price Category (Geiger) E	+\$316
Price Category F	+\$379
Price Category (Geiger) F	+\$379
Price Category G	+\$516
Price Category (Geiger) G	+\$516
Price Category (Geiger) H	+\$642
Price Category (Geiger) I	+\$775
Price Category (Geiger) J	+\$910
Price Category (Geiger) K	+\$1043
Price Category (Geiger) L	+\$1176
Price Category (Geiger) M	+\$1309
Price Category (Geiger) N	+\$1440

Price Category (Geiger) O	+\$1577
Price Category (Geiger) P	+\$1706
Price Category (Geiger) Q	+\$1969
Price Category (Geiger) R	+\$2744
Price Category (Geiger) V	+\$3560
Price Category (Geiger) X	+\$3968
Price Category (Geiger) Y	+\$4172
Price Category (Geiger) Z	+\$4378
Price Category (Geiger) COL A	+\$259
Price Category (Geiger) COM A	+\$0

Step 4. Base Finish

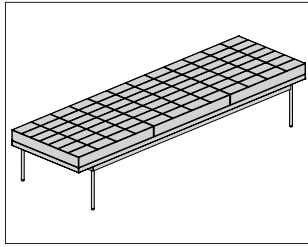
926 black A	+\$0
AS arctic silver A	+\$0
WHT white A	+\$0
CHR chrome A	+\$671
SAC satin chrome A	+\$671

Step 5. Fire Retardancy

NOCAL not fire retardant A	+\$0
---	------

Tuxedo Component Lounge™
Museum Bench

ST3BN
ST3BQ



Product Information

Description

This 17"-high museum bench has a foam and Dacron® seat with a painted or plated steel base.

Notes

Order ganging plates (STGP) separately.

Customer's Own Material (COM)/Customer's Own Leather (COL) requires the following:

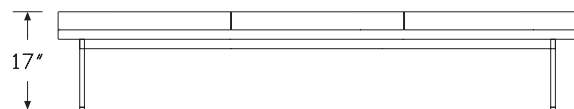
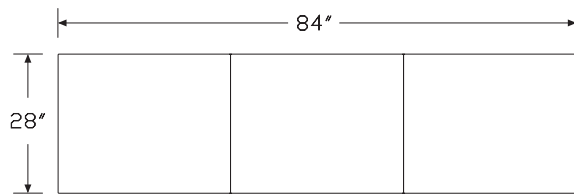
Type—COM—COL

Not quilted—5½ yards—99 square feet

Quilted—5½ yards—99 square feet

See Order Information in Appendices for more information.

Dimensions



Specification Information

Step 1.

ST3B A

Step 2. Upholstery Type

N not quilted A

Q quilted A

Prices for Steps 1-2.

ST3BN \$3903

ST3BQ \$3988

Step 3. Upholstery

For quilted (Q)

Price Category 1	+\$0
Price Category (Geiger) 1	+\$266
Price Category 2	+\$320
Price Category (Geiger) 2	+\$320
Price Category 3	+\$402
Price Category (Geiger) 3	+\$402
Price Category 4	+\$490
Price Category (Geiger) 4	+\$490
Price Category 5	+\$715
Price Category (Geiger) 5	+\$715
Price Category (Geiger) 6	+\$938
Price Category (Geiger) 7	+\$1164
Price Category (Geiger) 8	+\$1782
Price Category 9	+\$2210
Price Category (Geiger) 9	+\$2210
Price Category (Geiger) 10	+\$2543
Price Category (Geiger) 11	+\$2850
Price Category (Geiger) 14	+\$3733
Price Category (Geiger) A	+\$226
Price Category (Geiger) C	+\$361
Price Category D	+\$476
Price Category (Geiger) D	+\$476
Price Category (Geiger) E	+\$580
Price Category F	+\$694
Price Category (Geiger) F	+\$694
Price Category G	+\$946
Price Category (Geiger) G	+\$946
Price Category (Geiger) H	+\$1177
Price Category (Geiger) I	+\$1422
Price Category (Geiger) J	+\$1667
Price Category (Geiger) K	+\$1912
Price Category (Geiger) L	+\$2156

Tuxedo Component Lounge™ Museum Bench *continued*

Price Category (Geiger) M	+\$2401
Price Category (Geiger) N	+\$2646
Price Category (Geiger) O	+\$2891
Price Category (Geiger) P	+\$3127
Price Category (Geiger) Q	+\$3611
Price Category (Geiger) R	+\$5032
Price Category (Geiger) V	+\$6527
Price Category (Geiger) Z	+\$8026
Price Category (Geiger) COL A	+\$475
Price Category (Geiger) COM A	+\$0

For not quilted (N)

Price Category 1	+\$0
Price Category (Geiger) 1	+\$266
Price Category 2	+\$320
Price Category (Geiger) 2	+\$320
Price Category 3	+\$402
Price Category (Geiger) 3	+\$402
Price Category 4	+\$490
Price Category (Geiger) 4	+\$490
Price Category 5	+\$715
Price Category (Geiger) 5	+\$715
Price Category (Geiger) 6	+\$938
Price Category (Geiger) 7	+\$1164
Price Category (Geiger) 8	+\$1782
Price Category 9	+\$2210
Price Category (Geiger) 9	+\$2210
Price Category (Geiger) 10	+\$2543
Price Category (Geiger) 11	+\$2850
Price Category (Geiger) 14	+\$3733
Price Category (Geiger) A	+\$226
Price Category (Geiger) C	+\$361
Price Category D	+\$476
Price Category (Geiger) D	+\$476
Price Category E	+\$580
Price Category (Geiger) E	+\$580
Price Category F	+\$694
Price Category (Geiger) F	+\$694
Price Category G	+\$946
Price Category (Geiger) G	+\$946
Price Category (Geiger) H	+\$1177
Price Category (Geiger) I	+\$1422
Price Category (Geiger) J	+\$1667
Price Category (Geiger) K	+\$1912
Price Category (Geiger) L	+\$2156
Price Category (Geiger) M	+\$2401
Price Category (Geiger) N	+\$2646

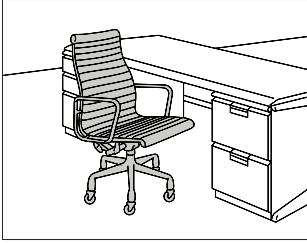
Price Category (Geiger) O	+\$2891
Price Category (Geiger) P	+\$3127
Price Category (Geiger) Q	+\$3611
Price Category (Geiger) R	+\$5032
Price Category (Geiger) V	+\$6527
Price Category (Geiger) X	+\$7274
Price Category (Geiger) Y	+\$7649
Price Category (Geiger) Z	+\$8026
Price Category (Geiger) COL A	+\$475
Price Category (Geiger) COM A	+\$0

Step 4. Base Finish

926 black A	+\$0
AS arctic silver A	+\$0
WHT white A	+\$0
CHR chrome A	+\$671
SAC satin chrome A	+\$671

Step 5. Fire Retardancy

NOCAL not fire retardant A	+\$0
---	------



Product Information

Description

This high-back chair with arms or arms with arm pads has a lightweight aluminum frame with suspended upholstery. It has a 5-star base with casters, tilt-swivel mechanism, and manual seat-height adjustment or pneumatic seat-height adjustment and tilt lock feature.

Notes

For use in shared or collaborative spaces with multiple users, the manual seat-height adjustment or armless option with pneumatic adjustment is recommended. These options reduce the likelihood of interference with tables resulting in damage due to user adjustment over time.

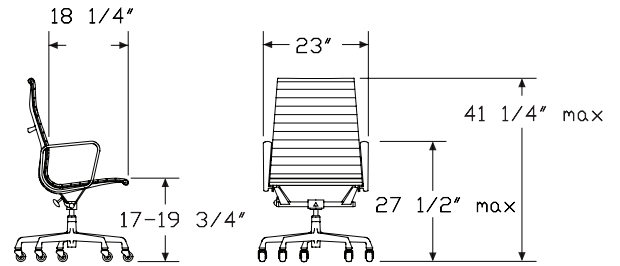
Chair sizes shown in illustrations are nominal.

For description of casters, see Casters and Glides in Appendices.

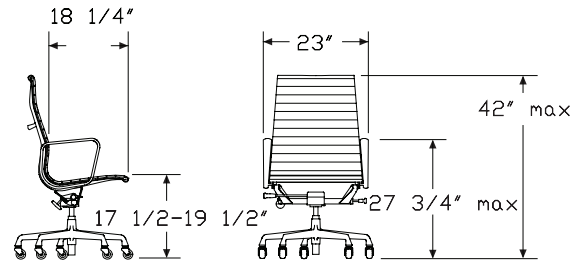
Arm pad material is leather with limited color options available. Not available as COM or COL.

Customer's Own Material (COM) requires 1½ yards. Customer's Own Leather (COL) requires 45 square feet. See Order Information in Appendices.

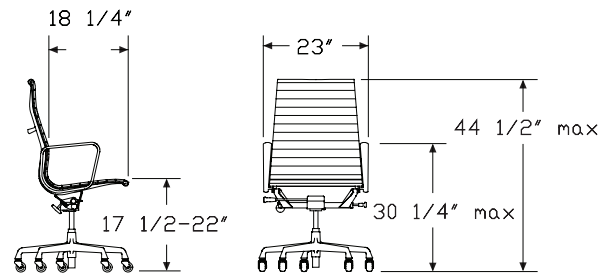
Dimensions



Manual



Pneumatic, standard-height range



Pneumatic, extended-height range

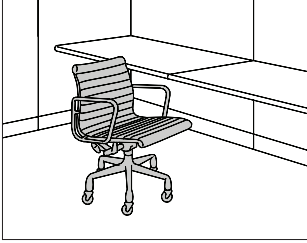
Eames® Aluminum Group Executive Chair *continued*

Specification Information		
Step 1.		
EA33	A	
Step 2. Seat-Height Adjustment/Arms		
7	manual seat-height adjustment, arms	A
7P	pneumatic seat-height adjustment, standard-height range with tilt lock, arms	A
7E	pneumatic seat-height adjustment, extended-height range with tilt lock, arms	A
72	manual seat-height adjustment, arms with arm pads	A
7P2	pneumatic seat-height adjustment, standard-height range with tilt lock, arms with arm pads	A
7E2	pneumatic seat-height adjustment, extended-height range with tilt lock, arms with arm pads	A
Prices for Steps 1-2.		
EA337		\$2695
EA337P		\$2936
EA337E		\$3036
EA3372		\$2800
EA337P2		\$3041
EA337E2		\$3141
Step 3. Casters		
BSC	2" soft double wheel caster, hard floors or carpet, black	A +\$0
MD	2" soft double wheel caster, hard floors or carpet, chrome	A +\$0
UD	2" hard double wheel caster, carpet, black painted	A +\$0
VD	2" hard double wheel caster, carpet, chrome	A +\$0
Step 4. Base Finish		
L	polished aluminum	A +\$0
BK	black	A +\$28
91	white	A +\$28
EP	eggplant	A +\$28
Step 5. Frame Finish		
<i>For polished aluminum (L)</i>		
L	polished aluminum	A +\$0
<i>For black (BK)</i>		
BK	black	A +\$107
G2	graphite satin	A +\$107

<i>For white (91)</i>		
91	white	A +\$107
<i>For eggplant (EP)</i>		
EP	eggplant	A +\$107
Step 6. Fabric		
<i>See application chart and textiles list for fabric usage and numbers. First 2 digits of number indicate fabric line; remaining digit(s) indicate fabric color.</i>		
Price Category 1		+\$0
Price Category 2		+\$68
Price Category 3		+\$155
Price Category 4		+\$222
Price Category (Geiger) 4		+\$172
Price Category 5		+\$280
Price Category (Geiger) 5		+\$280
Price Category 6		+\$338
Price Category (Geiger) 6		+\$420
Price Category 7	A	+\$298
Price Category (Geiger) 7		+\$223
Price Category 8		+\$437
Price Category 9		+\$768
Price Category (Geiger) 10		+\$869
Price Category 10M		+\$1040
Price Category 11		+\$950
Price Category B		+\$61
Price Category C		+\$84
Price Category D		+\$106
Price Category (DWR) 4		+\$185
Price Category E		+\$128
Price Category F		+\$166
Price Category G		+\$215
Price Category H		+\$262
Price Category I		+\$307
Price Category J		+\$353
Price Category K		+\$398
Price Category L		+\$444
Price Category R		+\$1591
Step 7. Arm Pad Fabric		
<i>For manual seat-height adjustment, arms with arm pads (72), pneumatic seat-height adjustment, standard-height range with tilt lock, arms with arm pads (7P2), or pneumatic seat-height adjustment, extended-height range with tilt lock, arms with arm pads (7E2)</i>		
Price Category 11		+\$0
Price Category R		+\$10

Eames® Aluminum Group
Management Chair

EA334
EA335



Product Information

Description

This low-back chair has a lightweight aluminum frame with suspended upholstery and comes with or without arms, or with arms with arm pads. It has a 5-star base, tilt-swivel mechanism, and manual seat-height adjustment or pneumatic seat-height adjustment and tilt lock feature. The chair is available with casters or glides. The chair with glides includes 1/2" (GD) glides for hard floors or carpet.

Notes

For use in shared or collaborative spaces with multiple users, the manual seat-height adjustment or armless option with pneumatic adjustment is recommended. These options reduce the likelihood of interference with tables resulting in damage due to user adjustment over time.

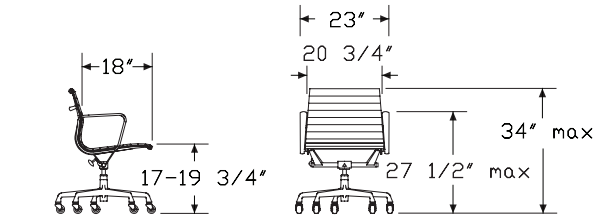
Chair sizes shown in illustrations are nominal.

For description of casters and glides, see Casters and Glides in Appendices.

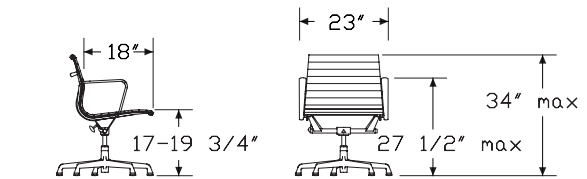
Arm pad material is leather with limited color options available. Not available as COM or COL.

Customer's Own Material (COM) requires 1 1/3 yards. Customer's Own Leather (COL) requires 45 square feet. See Order Information in Appendices.

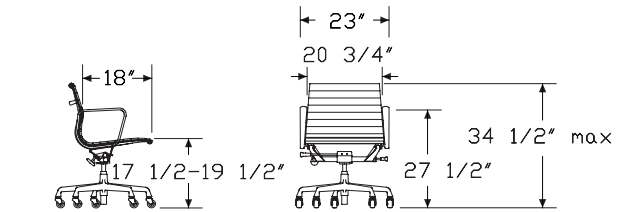
Dimensions



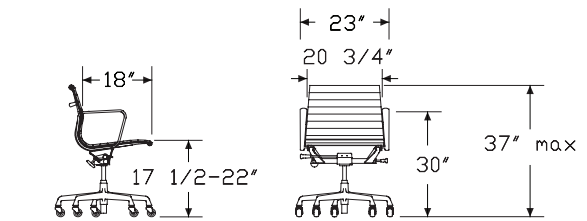
Casters



Glides



Pneumatic, standard-height range



Pneumatic, extended-height range

HermanMiller Ancillary-Work Chairs

Eames® Aluminum Group
Management Chair *continued*

HermanMiller Ancillary—Work Chairs

Specification Information

Step 1.

EA33 A

Step 2. Casters/Glides/Seat-Height Adjustment/Arms

5	casters with manual seat-height adjustment, arms
4	glides with manual seat-height adjustment, arms A
5P	casters with pneumatic seat-height adjustment, standard-height range with tilt lock, arms
5E	casters with pneumatic seat-height adjustment, extended-height range with tilt lock, arms A
52	casters with manual seat-height adjustment, arms with arm pads A
42	glides with manual seat-height adjustment, arms with arm pads A
5P2	casters with pneumatic seat-height adjustment, standard-height range with tilt lock, arms with arm pads A
5E2	casters with pneumatic seat-height adjustment, extended-height range with tilt lock, arms with arm pads A
5N	casters with manual seat-height adjustment, no arms
5PN	casters with pneumatic seat-height adjustment, no arms, standard-height range
5EN	casters with pneumatic seat-height adjustment, no arms, extended-height range A

Prices for Steps 1-2.

EA335	\$2468
EA334	\$2468
EA335P	\$2710
EA335E	\$2809
EA3352	\$2573
EA3342	\$2573
EA335P2	\$2815
EA335E2	\$2914
EA335N	\$1844
EA335PN	\$2084
EA335EN	\$2184

Step 3. Casters

For casters with manual seat-height adjustment, arms (5), casters with pneumatic seat-height adjustment, standard-height range with tilt lock, arms (5P), casters with pneumatic seat-height adjustment, extended-height range with tilt lock, arms (5E), casters with manual seat-height adjustment, arms with arm pads (52), casters with pneumatic seat-height adjustment, standard-height range with tilt lock, arms with arm pads (5P2), casters with pneumatic seat-height adjustment, extended-height range with tilt lock, arms with arm pads (5E2), casters with manual seat-height adjustment, no arms (5N), casters with pneumatic seat-height adjustment, no arms, standard-height range (5PN), or casters with pneumatic seat-height adjustment, no arms, extended-height range (5EN)

BSC	2" soft double wheel caster, hard floors or carpet, black A	+\$0
MD	2" soft double wheel caster, hard floors or carpet, chrome	+\$0
UD	2" hard double wheel caster, carpet, black painted	+\$0
VD	2" hard double wheel caster, carpet, chrome	+\$0

Step 4. Base Finish

L	polished aluminum	+\$0
BK	black A	+\$28
91	white A	+\$28
EP	eggplant A	+\$28

Step 5. Frame Finish

For polished aluminum (L)

L	polished aluminum	+\$0
----------	-------------------	------

For black (BK)

BK	black A	+\$107
G2	graphite satin A	+\$107

For white (91)

91	white A	+\$107
-----------	---	--------

For eggplant (EP)

EP	eggplant A	+\$107
-----------	--	--------

Eames® Aluminum Group Management Chair *continued*

Step 6. Fabric

See application chart and textiles list for fabric usage and numbers.

First 2 digits of number indicate fabric line; remaining digit(s) indicate fabric color.

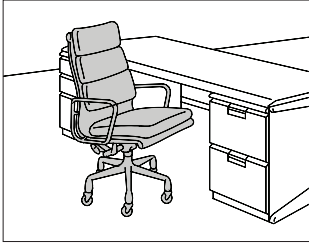
Price Category 1	+\$0
Price Category 2	+\$60
Price Category 3	+\$112
Price Category 4	+\$172
Price Category (Geiger) 4	+\$172
Price Category 5	+\$211
Price Category (Geiger) 5	+\$211
Price Category 6	+\$254
Price Category (Geiger) 6	+\$488
Price Category 7 A	+\$223
Price Category (Geiger) 7	+\$223
Price Category 8	+\$437
Price Category 9	+\$731
Price Category (Geiger) 10	+\$827
Price Category 10M	+\$1040
Price Category 11	+\$950
Price Category B	+\$47
Price Category C	+\$68
Price Category D	+\$94
Price Category (DWR) 4	+\$143
Price Category E	+\$113
Price Category F	+\$146
Price Category G	+\$191
Price Category H	+\$232
Price Category I	+\$272
Price Category J	+\$313
Price Category K	+\$353
Price Category L	+\$394
Price Category R	+\$1544

Step 7. Arm Pad Fabric

For casters with manual seat-height adjustment, arms with arm pads (52), glides with manual seat-height adjustment, arms with arm pads (42), casters with pneumatic seat-height adjustment, standard-height range with tilt lock, arms with arm pads (5P2), or casters with pneumatic seat-height adjustment, extended-height range with tilt lock, arms with arm pads (5E2)

Price Category 11	+\$0
Price Category R	+\$10

Eames® Soft Pad Group Executive Chair EA437



Product Information

Description

This high-back chair with arms or arms with arm pads has a lightweight aluminum frame and 2"-thick upholstered foam cushions. It has a 5-star base with casters, tilt-swivel mechanism, and manual seat-height adjustment or pneumatic seat-height adjustment and tilt lock feature.

Notes

For use in shared or collaborative spaces with multiple users, the manual seat-height adjustment or armless option with pneumatic adjustment is recommended. These options reduce the likelihood of interference with tables resulting in damage due to user adjustment over time.

Chair sizes shown in illustrations are nominal.

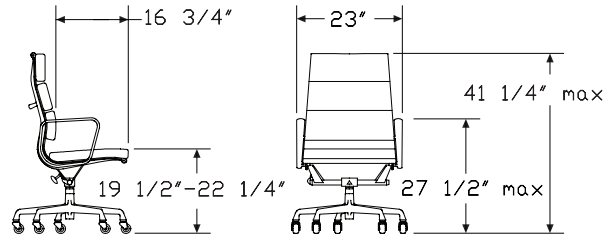
For description of casters, see Casters and Glides in Appendices.

Arm pad material is leather with limited color options available. Not available as COM or COL.

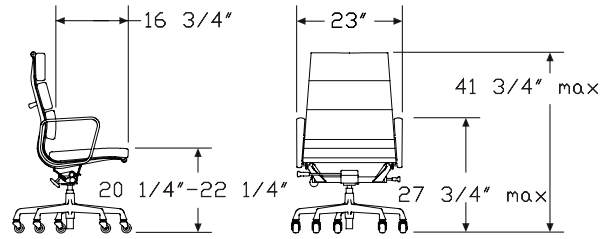
Customer's Own Material (COM) requires 3 yards. Customer's Own Leather (COL) requires 56 square feet. See Order Information in Appendices.

HermanMiller Ancillary-Work Chairs

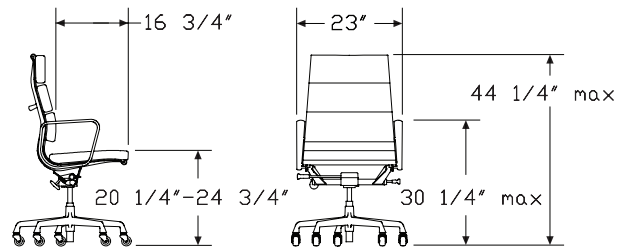
Dimensions



Manual



Pneumatic, standard-height range



Pneumatic, extended-height range

Eames® Soft Pad Group Executive Chair *continued*

Specification Information

Step 1.

EA43 A

Step 2. Seat-Height Adjustment/Arms

7	manual seat-height adjustment, arms A
7P	pneumatic seat-height adjustment, standard-height range with tilt lock, arms A
7E	pneumatic seat-height adjustment, extended-height range with tilt lock, arms A
72	manual seat-height adjustment, arms with arm pads A
7P2	pneumatic seat-height adjustment, standard-height range with tilt lock, arms with arm pads A
7E2	pneumatic seat-height adjustment, extended-height range with tilt lock, arms with arm pads A

Prices for Steps 1-2.

EA437	\$4652
EA437P	\$4890
EA437E	\$4990
EA4372	\$4757
EA437P2	\$4995
EA437E2	\$5095

Step 3. Casters

BSC	2" soft double wheel caster, hard floors or carpet, black A	+\$0
MD	2" soft double wheel caster, hard floors or carpet, chrome A	+\$0
UD	2" hard double wheel caster, carpet, black painted A	+\$0
VD	2" hard double wheel caster, carpet, chrome A	+\$0

Step 4. Base Finish

L	polished aluminum A	+\$0
BK	black A	+\$28
91	white A	+\$28
EP	eggplant A	+\$28

Step 5. Frame Finish

For polished aluminum (L)

L	polished aluminum A	+\$0
----------	---	------

For black (BK)

BK	black A	+\$107
G2	graphite satin A	+\$107

For white (91)

91	white A	+\$107
-----------	---	--------

For eggplant (EP)

EP	eggplant A	+\$107
-----------	--	--------

Step 6. Fabric

See application chart and textiles list for fabric usage and numbers.

First 2 digits of number indicate fabric line; remaining digit(s) indicate fabric color.

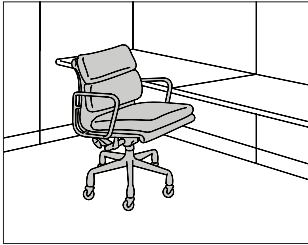
Price Category 1	+\$0
Price Category 2	+\$88
Price Category 3	+\$203
Price Category (Geiger) 3	+\$203
Price Category 4	+\$324
Price Category (Geiger) 4	+\$324
Price Category 5	+\$407
Price Category (Geiger) 5	+\$407
Price Category 6	+\$490
Price Category (Geiger) 6	+\$588
Price Category 7	+\$432
Price Category (Geiger) 7	+\$432
Price Category 8	+\$546
Price Category 9	+\$752
Price Category 10	+\$841
Price Category (Geiger) 10	+\$841
Price Category 10M	+\$1352
Price Category 11	+\$1158
Price Category B	+\$119
Price Category C	+\$158
Price Category D	+\$211
Price Category (DWR) 4	+\$270
Price Category E	+\$256
Price Category F	+\$330
Price Category G	+\$430
Price Category H	+\$522
Price Category I	+\$613
Price Category J	+\$706
Price Category K	+\$797
Price Category L	+\$888
Price Category P	+\$1255
Price Category R	+\$2518

Eames® Soft Pad Group Executive
Chair *continued*

Step 7. Arm Pad Fabric	
<i>For manual seat-height adjustment, arms with arm pads (72), pneumatic seat-height adjustment, standard-height range with tilt lock, arms with arm pads (7P2), or pneumatic seat-height adjustment, extended-height range with tilt lock, arms with arm pads (7E2)</i>	
Price Category 11	+\$0
Price Category R	+\$10

Eames® Soft Pad Group
Management Chair

EA434
EA435



Product Information

Description

This low-back chair has a lightweight aluminum frame, 2"-thick upholstered foam cushions, and comes with or without arms, or with arms with arm pads. It has a 5-star base, tilt-swivel mechanism, and manual seat-height adjustment or pneumatic seat-height adjustment and tilt lock feature. The chair is available with casters or glides. The chair with glides includes 1/2" (GD) glides for hard floors or carpet.

Notes

For use in shared or collaborative spaces with multiple users, the manual seat-height adjustment or armless option with pneumatic adjustment is recommended. These options reduce the likelihood of interference with tables resulting in damage due to user adjustment over time.

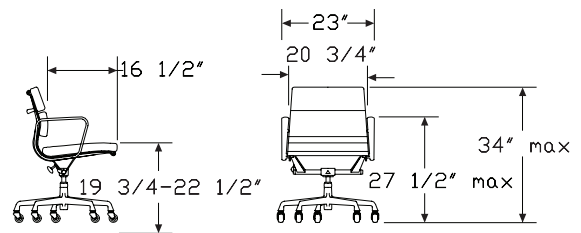
Chair sizes shown in illustrations are nominal.

For description of casters and glides, see Casters and Glides in Appendices.

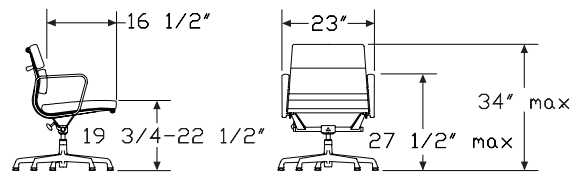
Arm pad material is leather with limited color options available. Not available as COM or COL.

Customer's Own Material (COM) requires 2 1/2 yards. Customer's Own Leather (COL) requires 45 square feet. See Order Information in Appendices.

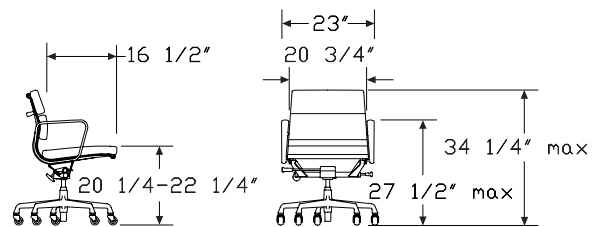
Dimensions



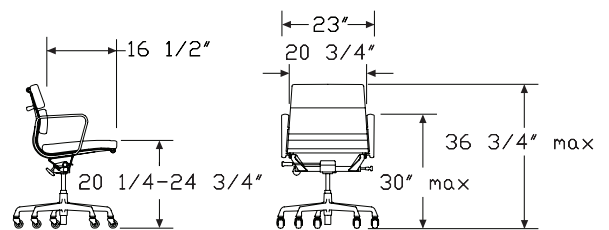
Casters



Glides



Pneumatic, standard-height range



Pneumatic, extended-height range

HermanMiller Ancillary-Work Chairs

Eames® Soft Pad Group Management Chair *continued*

Specification Information

Step 1.

EA43 A

Step 2. Casters/Glides/Seat-Height Adjustment/Arms

5	casters with manual seat-height adjustment, arms A
4	glides with manual seat-height adjustment, arms A
5P	casters with pneumatic seat-height adjustment, standard-height range with tilt lock, arms A
5E	casters with pneumatic seat-height adjustment, extended-height range with tilt lock, arms A
52	casters with manual seat-height adjustment, arms with arm pads A
42	glides with manual seat-height adjustment, arms with arm pads A
5P2	casters with pneumatic seat-height adjustment, standard-height range with tilt lock, arms with arm pads A
5E2	casters with pneumatic seat-height adjustment, extended-height range with tilt lock, arms with arm pads A
5N	casters with manual seat-height adjustment, no arms A
5PN	casters with pneumatic seat-height adjustment, no arms. standard-height range A
5EN	casters with pneumatic seat-height adjustment, no arms, extended-height range A

Prices for Steps 1-2.

EA435	\$3885
EA434	\$3885
EA435P	\$4139
EA435E	\$4241
EA4352	\$3990
EA4342	\$3990
EA435P2	\$4244
EA435E2	\$4346
EA435N	\$3261
EA435PN	\$3519
EA435EN	\$3617

Step 3. Casters

For casters with manual seat-height adjustment, arms (5), casters with pneumatic seat-height adjustment, standard-height range with tilt lock, arms (5P), casters with pneumatic seat-height adjustment, extended-height range with tilt lock, arms (5E), casters with manual seat-height adjustment, arms with arm pads (52), casters with pneumatic seat-height adjustment, standard-height range with tilt lock, arms with arm pads (5P2), casters with pneumatic seat-height adjustment, extended-height range with tilt lock, arms with arm pads (5E2), casters with manual seat-height adjustment, no arms (5N), casters with pneumatic seat-height adjustment, no arms. standard-height range (5PN), or casters with pneumatic seat-height adjustment, no arms, extended-height range (5EN)

BSC	2" soft double wheel caster, hard floors or carpet, black A	+\$0
MD	2" soft double wheel caster, hard floors or carpet, chrome A	+\$0
UD	2" hard double wheel caster, carpet, black painted A	+\$0
VD	2" hard double wheel caster, carpet, chrome A	+\$0

Step 4. Base Finish

L	polished aluminum A	+\$0
BK	black A	+\$28
91	white A	+\$28
EP	eggplant A	+\$28

Step 5. Frame Finish

For polished aluminum (L)

L	polished aluminum A	+\$0
----------	---	------

For black (BK)

BK	black A	+\$107
G2	graphite satin A	+\$107

For white (91)

91	white A	+\$107
-----------	---	--------

For eggplant (EP)

EP	eggplant A	+\$107
-----------	--	--------

Eames® Soft Pad Group

Management Chair *continued*

Step 6. Fabric

See application chart and textiles list for fabric usage and numbers.

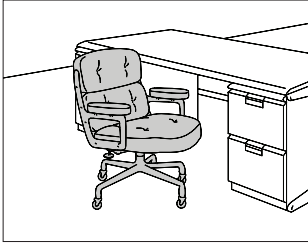
First 2 digits of number indicate fabric line; remaining digit(s) indicate fabric color.

Price Category 1	+\$0
Price Category 2	+\$88
Price Category 3	+\$188
Price Category (Geiger) 3	+\$188
Price Category 4	+\$290
Price Category (Geiger) 4	+\$290
Price Category 5	+\$349
Price Category (Geiger) 5	+\$349
Price Category 6	+\$407
Price Category (Geiger) 6	+\$490
Price Category 7	+\$356
Price Category (Geiger) 7	+\$356
Price Category 8	+\$437
Price Category 9	+\$710
Price Category 10	+\$706
Price Category (Geiger) 10	+\$803
Price Category 10M	+\$1087
Price Category 11	+\$950
Price Category B	+\$77
Price Category C	+\$96
Price Category D	+\$180
Price Category (DWR) 4	+\$242
Price Category E	+\$210
Price Category F	+\$294
Price Category G	+\$377
Price Category H	+\$502
Price Category I	+\$628
Price Category J	+\$745
Price Category K	+\$850
Price Category L	+\$955
Price Category P	+\$1199
Price Category R	+\$1584

Step 7. Arm Pad Fabric

For casters with manual seat-height adjustment, arms with arm pads (52), glides with manual seat-height adjustment, arms with arm pads (42), casters with pneumatic seat-height adjustment, standard-height range with tilt lock, arms with arm pads (5P2), or casters with pneumatic seat-height adjustment, extended-height range with tilt lock, arms with arm pads (5E2)

Price Category 11	+\$0
Price Category R	+\$10



Product Information

Description

This upholstered chair has contoured seat and back cushions and padded armrests. The seat has a 4½"-thick foam cushion and the back has 2 3"-thick foam cushions. It has a 5-star base, tilt-swivel mechanism, and seat-height adjustment. The chair is available with casters or glides. The chair with glides includes ½" (GD) glides for hard floors or carpet.

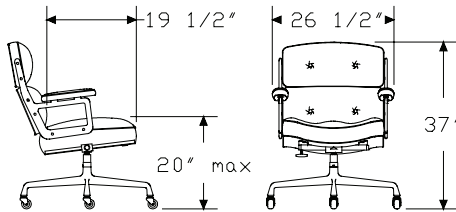
Notes

For description of casters and glides, see Casters and Glides in Appendices.

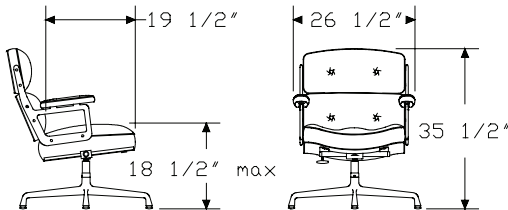
Customer's Own Material (COM) requires 3 yards. Customer's Own Leather (COL) requires 52 square feet. See Order Information in Appendices.

Dimensions

Casters



Glides



Specification Information

Step 1.

ES204 [A] \$5815

Step 2. Casters/Glides

BSC	2" soft double wheel caster, hard floors or carpet, black [A]	+\$0
GD	½" glide, hard floors or carpet [A]	+\$0
MD	2" soft double wheel caster, hard floors or carpet, chrome [A]	+\$0
UD	2" hard double wheel caster, carpet, black painted [A]	+\$0
VD	2" hard double wheel caster, carpet, chrome [A]	+\$0

Step 3. Base Finish

L	polished aluminum [A]	+\$0
BK	black [A]	+\$17
91	white [A]	+\$22

Step 4. Frame Finish

For polished aluminum (L)

L	polished aluminum [A]	+\$0
----------	-----------------------	------

For black (BK)

BK	black [A]	+\$66
G2	graphite satin [A]	+\$66

For white (91)

91	white [A]	+\$82
-----------	-----------	-------

Step 5. Fabric

See application chart and textiles list for fabric usage and numbers. First 2 digits of number indicate fabric line; remaining digit(s) indicate fabric color.

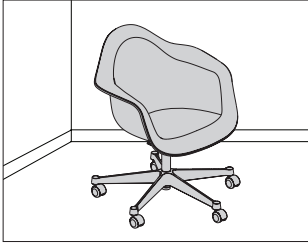
Price Category 1	+\$0
Price Category 2	+\$90
Price Category 3	+\$203
Price Category (Geiger) 3	+\$203
Price Category 4	+\$324
Price Category (Geiger) 4	+\$324
Price Category 5	+\$407
Price Category (Geiger) 5	+\$407
Price Category 6	+\$410
Price Category (Geiger) 6	+\$410
Price Category 7	+\$432
Price Category (Geiger) 7	+\$432
Price Category 8	+\$622

Eames® Executive Chair *continued*

Price Category 9	+\$779
Price Category 10	+\$847
Price Category (Geiger) 10	+\$847
Price Category 10M	+\$1463
Price Category 11	+\$1052
Price Category (Geiger) 11	+\$1052
Price Category B	+\$119
Price Category C	+\$166
Price Category D	+\$211
Price Category E	+\$256
Price Category F	+\$330
Price Category G	+\$430
Price Category H	+\$522
Price Category I	+\$613
Price Category J	+\$706
Price Category K	+\$797
Price Category L	+\$888
Price Category O	+\$1524
Price Category P	+\$1255
Price Category Q	+\$1351
Price Category R	+\$2518
Price Category T	+\$2851
Price Category V	+\$2921

Eames® Task Chair, Arm Shell

PACCF.
PACCP.



Product Information

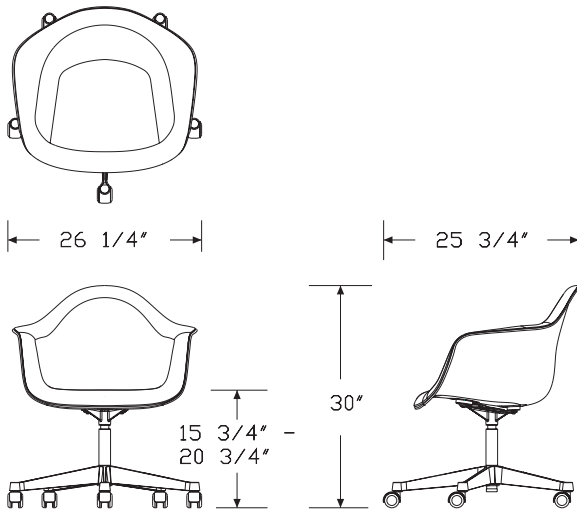
Description

This task chair is an extension of the Eames® shell chair family, offering select shell and upholstery combinations on a 5-star base with a pneumatic height adjustment range of up to 5". The arm shell has a single-piece molded plastic or fiberglass shell with waterfall edges and available upholstery options. Shell color and upholstery options mirror the existing Eames Molded Plastic and Fiberglass Arm Chair portfolio. Task chair upholstered with textiles or leather is for indoor use only. Ships assembled.

Notes

For upholstered seat pad (P), Customer's Own Material (COM) requires 1 yard. Customer's Own Leather (COL) requires 9 square feet. See Order Information in appendices.
5-star base has 1/2" glides (GD) for hard floors or carpet. For description of glide, see Casters & Glides in appendices.

Dimensions



Specification Information

Step 1.

PACC

Step 2. Material

P. plastic

F. fiberglass

Step 3. Upholstery

N nonupholstered

P upholstered seat pad

U fully upholstered shell

Prices for Steps 1-3.

PACCP. N	\$1277
P	\$1440
U	\$1618
PACCF. N	\$1689
P	\$1858
U	\$2036

Step 4. Back Finish

For plastic (P.)

BKR brick red <input type="checkbox"/>	+\$0
BLG blue green <input type="checkbox"/>	+\$0
CC1 cocoa <input type="checkbox"/>	+\$0
DYL deep yellow <input type="checkbox"/>	+\$0
EVG evergreen <input type="checkbox"/>	+\$0
LTY light grey <input type="checkbox"/>	+\$0
MGR medium grey <input type="checkbox"/>	+\$0
PBU pale blue <input type="checkbox"/>	+\$0
RYG grey green <input type="checkbox"/>	+\$0
ZA black <input type="checkbox"/>	+\$0
ZE red orange <input type="checkbox"/>	+\$0
ZF white <input type="checkbox"/>	+\$0

For fiberglass (F.)

111 parchment <input type="checkbox"/>	+\$0
112 elephant hide grey <input type="checkbox"/>	+\$0
114 red orange <input type="checkbox"/>	+\$0
117 navy blue <input type="checkbox"/>	+\$0
118 black <input type="checkbox"/>	+\$0
TCA terra cotta <input type="checkbox"/>	+\$0
DKS dark seafoam <input type="checkbox"/>	+\$0

Eames® Task Chair, Arm Shell

continued

Step 5. Edge Finish

For fully upholstered shell (U)

111	parchment <input type="checkbox"/>	+\$0
BK	black <input type="checkbox"/>	+\$0
ZF	white <input type="checkbox"/>	+\$0

Step 6. Fabric

For upholstered seat pad (P)

Price Category 1	+\$0
Price Category 2	+\$44
Price Category (Geiger) 2	+\$44
Price Category 3	+\$36
Price Category 4	+\$41
Price Category (Geiger) 4	+\$41
Price Category 5	+\$44
Price Category (Geiger) 5	+\$73
Price Category (Geiger) 6	+\$97
Price Category 7	+\$138
Price Category (Geiger) 7	+\$133
Price Category 8	+\$175
Price Category (Geiger) 8	+\$175
Price Category 9	+\$259
Price Category 10	+\$281
Price Category 11	+\$314
Price Category B	+\$36
Price Category C	+\$60
Price Category D	+\$83
Price Category E	+\$118
Price Category F	+\$154
Price Category G	+\$204
Price Category I	+\$300
Price Category J	+\$348
Price Category K	+\$456
Price Category R	+\$793

For fully upholstered shell (U)

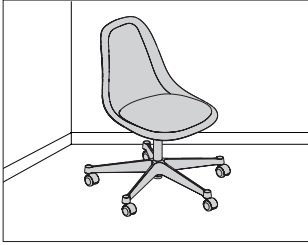
Price Category 10	+\$281
Price Category 2	+\$31
Price Category 4	+\$41
Price Category 5	+\$44
Price Category B	+\$36
Price Category J	+\$348
Price Category K	+\$456

Step 7. Casters

MD	2" soft double wheel caster, hard floors or carpet, chrome <input type="checkbox"/>	+\$0
VD	2" hard double wheel caster, carpet, chrome <input type="checkbox"/>	+\$0
BSC	2" soft double wheel caster, hard floors or carpet, black <input type="checkbox"/>	+\$0
UD	2" hard double wheel caster, carpet, black painted <input type="checkbox"/>	+\$0

Eames® Task Chair, Side Shell

PSCCD.
PSCCF.
PSCCP.
PSCCR.



HermanMiller Ancillary-Work Chairs

Product Information

Description

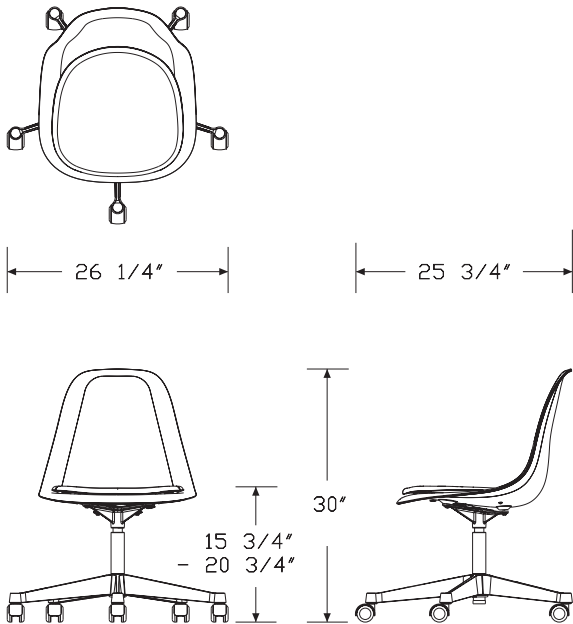
This task chair is an extension of the Eames® shell chair family, offering select shell and upholstery combinations on a 5-star base with a pneumatic height-adjustment range of up to 5". The plastic, fiberglass and wood side chairs have a single-piece molded shell with waterfall edges and available upholstery options. The wire shell is available with upholstered seat and back or with upholstered seat only. Wire shell is available in trivalent chrome or powder-coated white or black. Task chair upholstered with textiles or leather is for indoor use only. Ships assembled.

Notes

Customer's Own Material (COM) requires 1 yard. Customer's Own Leather (COL) requires 9 square feet.

5-star base has 1/2" glides (GD) for hard floors or carpet. For description of glide, see Casters & Glides in appendices.

Dimensions



Specification Information

Step 1.

PSCC

Step 2. Material

- P.** plastic
- F.** fiberglass
- D.** wood
- R.** wire

Step 3. Upholstery

For plastic (P.) or fiberglass (F.)

- N** nonupholstered
- P** upholstered seat pad
- U** fully upholstered shell

For wood (D.)

- N** nonupholstered
- P** upholstered seat pad

For wire (R.)

- 2** wire shell/upholstered seat/back
- 5** wire shell/upholstered seat/wire back

Prices for Steps 1-3.

PSCCP. N	\$1087
P	\$1249
U	\$1380
PSCCF. N	\$1494
P	\$1661
U	\$1794
PSCCD. N	\$1787
P	\$1950
PSCCR. 2	\$2333
5	\$1856

Eames® Task Chair, Side Shell

continued

Step 4. Back Finish

For plastic (P.)

BKR	brick red <input type="checkbox"/>	+\$0
BLG	blue green <input type="checkbox"/>	+\$0
CC1	cocoa <input type="checkbox"/>	+\$0
DYL	deep yellow <input type="checkbox"/>	+\$0
EVG	evergreen <input type="checkbox"/>	+\$0
LTY	light grey <input type="checkbox"/>	+\$0
MGR	medium grey <input type="checkbox"/>	+\$0
PBU	pale blue <input type="checkbox"/>	+\$0
RYG	grey green <input type="checkbox"/>	+\$0
ZA	black <input type="checkbox"/>	+\$0
ZE	red orange <input type="checkbox"/>	+\$0
ZF	white <input type="checkbox"/>	+\$0

For fiberglass (F.)

111	parchment <input type="checkbox"/>	+\$0
112	elephant hide grey <input type="checkbox"/>	+\$0
114	red orange <input type="checkbox"/>	+\$0
117	navy blue <input type="checkbox"/>	+\$0
118	black <input type="checkbox"/>	+\$0
TCA	terra cotta <input type="checkbox"/>	+\$0
DKS	dark seafoam <input type="checkbox"/>	+\$0

For wood (D.)

9N	santos palisander <input type="checkbox"/>	+\$289
A2	white ash <input type="checkbox"/>	+\$116
EN	ebony <input type="checkbox"/>	+\$116
OU	walnut <input type="checkbox"/>	+\$0

For wire (R.)

47	trivalent chrome <input type="checkbox"/>	+\$20
91	white <input type="checkbox"/>	+\$0
BK	black <input type="checkbox"/>	+\$0

Step 5. Edge Finish

For fully upholstered shell (U)

111	parchment <input type="checkbox"/>	+\$0
BK	black <input type="checkbox"/>	+\$0
ZF	white <input type="checkbox"/>	+\$0

Step 6. Fabric

For upholstered seat pad (P)

Price Category 1	+\$0
Price Category 2	+\$30
Price Category (Geiger) 2	+\$30
Price Category 3	+\$36
Price Category 4	+\$40
Price Category (Geiger) 4	+\$41
Price Category 5	+\$42
Price Category (Geiger) 5	+\$42
Price Category (Geiger) 6	+\$106
Price Category 7	+\$133
Price Category (Geiger) 7	+\$133
Price Category 8	+\$175
Price Category (Geiger) 8	+\$175
Price Category 9	+\$251
Price Category 10	+\$281
Price Category 11	+\$305
Price Category B	+\$36
Price Category C	+\$60
Price Category D	+\$83
Price Category E	+\$118
Price Category F	+\$154
Price Category G	+\$204
Price Category H	+\$252
Price Category I	+\$300
Price Category J	+\$348
Price Category K	+\$456
Price Category R	+\$740

For fully upholstered shell (U)

Price Category 10	+\$281
Price Category 1 <input type="checkbox"/>	+\$0
Price Category 2	+\$30
Price Category 4	+\$41
Price Category 5	+\$42
Price Category 7	+\$133
Price Category B	+\$36
Price Category K	+\$456

Eames® Task Chair, Side Shell

continued

HermanMiller Ancillary-Work Chairs

For wire shell/upholstered seat/back (2)

Price Category 10	+\$281
Price Category 3	+\$36
Price Category 4	+\$40
Price Category 5	+\$71
Price Category 9	+\$251
Price Category 11	+\$305
Price Category D	+\$71
Price Category K	+\$456
Price Category R	+\$740

For wire shell/upholstered seat/wire back (5)

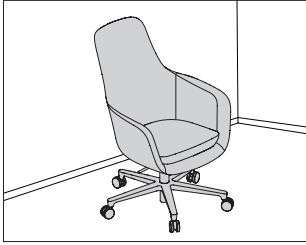
Price Category 10	+\$281
Price Category 2	+\$30
Price Category 3	+\$36
Price Category 4	+\$40
Price Category 5	+\$71
Price Category 9	+\$251
Price Category 11	+\$305
Price Category D	+\$71
Price Category G	+\$204
Price Category K	+\$456
Price Category R	+\$740

Step 7. Casters

MD	2" soft double wheel caster, hard floors or carpet, chrome <input type="checkbox"/> A	+\$0
VD	2" hard double wheel caster, carpet, chrome <input type="checkbox"/> A	+\$0
BSC	2" soft double wheel caster, hard floors or carpet, black <input type="checkbox"/> A	+\$0
UD	2" hard double wheel caster, carpet, black painted <input type="checkbox"/> A	+\$0

Saiba Multitask Chair

SBN3H
SBN3M



Product Information

Description

This swivel chair has a high back or mid back and a 5-star base with dual wheel casters. It has a tilt mechanism with lock and an adjustable height range of 4¹/₄". Seat frame is rigid urethane with polyurethane foam.

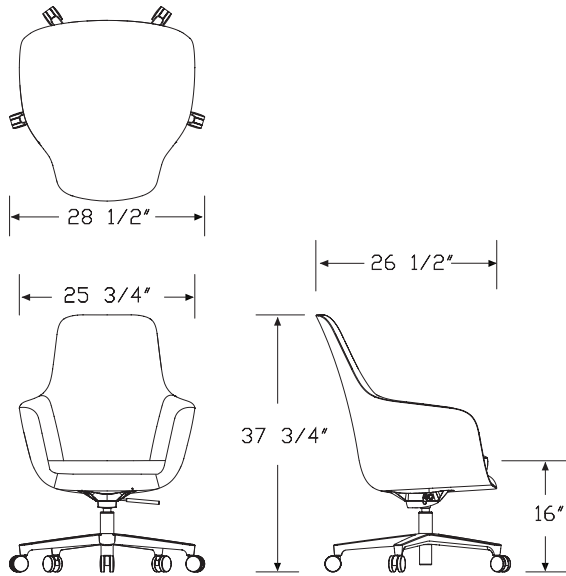
Notes

Cylinder and mechanism color will match base finish.

Casters available only in black.

Customer's Own Material (COM) requires 3 yards for high back (H) or 2³/₄ yards for mid back (M). Customer's Own Leather (COL) requires 54 square feet for high back (H) or 49¹/₂ square feet for mid back (M). See Order Information in appendices.

Dimensions



Specification Information

Step 1.

SBN3 A

Step 2. Back Height

M mid back A

H high back A

Prices for Steps 1-2.

SBN3M	\$2918
SBN3H	\$3053

Step 3. Upholstery

For mid back (M)

Price Category 1	+\$0
Price Category (Geiger) 1	+\$149
Price Category 2	+\$160
Price Category (Geiger) 2	+\$160
Price Category 3	+\$200
Price Category (Geiger) 3	+\$200
Price Category 4	+\$245
Price Category (Geiger) 4	+\$245
Price Category 5	+\$358
Price Category (Geiger) 5	+\$358
Price Category (Geiger) 6	+\$430
Price Category (Geiger) 7	+\$582
Price Category (Geiger) 8	+\$892
Price Category 9	+\$1105
Price Category (Geiger) 9	+\$1105
Price Category (Geiger) 10	+\$1272
Price Category (Geiger) 11	+\$1424
Price Category (Geiger) C	+\$182
Price Category F	+\$350
Price Category (Geiger) F	+\$350
Price Category G	+\$475
Price Category (Geiger) H	+\$589
Price Category (Geiger) R	+\$2519
Price Category (Geiger) COL <input type="checkbox"/> A	+\$0
Price Category (Geiger) COM <input type="checkbox"/> A	+\$0

HermanMiller Ancillary-Work Chairs

Saiba Multitask Chair *continued*

HermanMiller Ancillary-Work Chairs

For high back (H)

Price Category 1	+\$0
Price Category (Geiger) 1	+\$162
Price Category 2	+\$220
Price Category (Geiger) 2	+\$220
Price Category 3	+\$220
Price Category (Geiger) 3	+\$220
Price Category 4	+\$268
Price Category (Geiger) 4	+\$268
Price Category 5	+\$390
Price Category (Geiger) 5	+\$390
Price Category (Geiger) 6	+\$515
Price Category (Geiger) 7	+\$635
Price Category (Geiger) 8	+\$972
Price Category 9	+\$1206
Price Category (Geiger) 9	+\$1206
Price Category (Geiger) 10	+\$1387
Price Category 11	+\$1554
Price Category (Geiger) 11	+\$1554
Price Category (Geiger) C	+\$198
Price Category F	+\$382
Price Category (Geiger) F	+\$382
Price Category G	+\$518
Price Category (Geiger) H	+\$642
Price Category (Geiger) R	+\$2747
Price Category (Geiger) COL <input type="checkbox"/> A	+\$0
Price Category (Geiger) COM <input type="checkbox"/> A	+\$0

Step 4. Base Finish

BK black <input type="checkbox"/> A	+\$0
CD polished aluminum <input type="checkbox"/> A	+\$0

Step 5. Caster Option

BB hard dual wheels, black yoke <input type="checkbox"/> A	+\$0
C7 soft dual wheels, black yoke <input type="checkbox"/> A	+\$35

Step 6. Fire Retardancy

For mid back (M)

NOCAL no cal-133 required <input type="checkbox"/> A	+\$0
---	------

For high back (H)

NOCAL no cal-133 required <input type="checkbox"/> A	+\$0
---	------

Taper Chair

SFA1P
SFA1S
SFA1T
SFA2P
SFA2S
SFA2T



Product Information

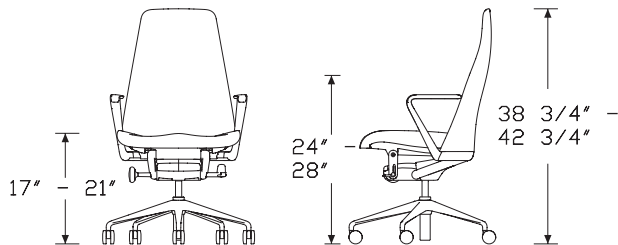
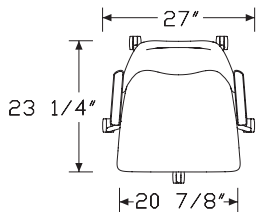
Description

This upholstered executive chair has a contoured high back that provides zonal support. The tilt mechanism uses a pair of adjustable carbon fiber leaf springs that control resistance. The suspended seat uses SuperSeat™ technology to create a deep seat pocket and responsive surface. This chair has a 5-star base with casters and pneumatic seat height adjustment. Fixed-height arms can be specified with either urethane or upholstery options.

Notes

Customer's Own Material (COM) requires 1¾ yards. Customer's Own Leather (COL) requires 31½ square feet. See Order Information in appendices.

Dimensions



Specification Information

Step 1.

SF A

Step 2. Back Height

A high back, full function tilt A

Step 3. Arms

1 upholstered arms A

2 urethane arms A

Step 4. Stitching Detail

P lapped edge with coordinating thread A

S single stitch with contrasting thread A

T single stitch with coordinating thread A

Prices for Steps 1-4.

SFA1P	\$2711
SFA1S	\$2645
SFA1T	\$2573
SFA2P	\$2630
SFA2S	\$2563
SFA2T	\$2488

HermanMiller Ancillary-Work Chairs

Taper Chair *continued*

Step 5. Upholstery

For single stitch with coordinating thread (T)

Price Category (Geiger) COL A	+\$151
Price Category (Geiger) COM A	+\$0
Price Category (Geiger) 1	+\$0
Price Category 2	+\$103
Price Category (Geiger) 2	+\$103
Price Category (Geiger) 3	+\$130
Price Category 4	+\$156
Price Category (Geiger) 4	+\$156
Price Category 5	+\$228
Price Category (Geiger) 5	+\$228
Price Category (Geiger) 6	+\$215
Price Category (Geiger) 7	+\$371
Price Category (Geiger) 8	+\$568
Price Category 8	+\$568
Price Category 9	+\$704
Price Category 10	+\$810
Price Category (Geiger) 10	+\$810
Price Category (Geiger) 11	+\$908
Price Category D	+\$154
Price Category F	+\$223
Price Category G	+\$216

For lapped edge with coordinating thread (P)

Price Category 5	+\$228
Price Category (Geiger) COL A	+\$151
Price Category 2	+\$103
Price Category (Geiger) 2	+\$103
Price Category 8	+\$568
Price Category 9	+\$704
Price Category (Geiger) 10	+\$810
Price Category 11	+\$908
Price Category (Geiger) 11	+\$908

For single stitch with contrasting thread (S)

Price Category (Geiger) 1	+\$0
Price Category (Geiger) 2	+\$103
Price Category 4	+\$156
Price Category (Geiger) 4	+\$156
Price Category 5	+\$228
Price Category (Geiger) 5	+\$228
Price Category (Geiger) 6	+\$215
Price Category (Geiger) 7	+\$371
Price Category 8	+\$568
Price Category 9	+\$704
Price Category (Geiger) 10	+\$810
Price Category 11	+\$908
Price Category (Geiger) 11	+\$908
Price Category R	+\$1603

Step 6. Arm Upholstery

For upholstered arms (1)

Price Category 4	+\$11
Price Category 5	+\$14
Price Category 8	+\$37
Price Category 9	+\$41
Price Category 10	+\$48
Price Category (Geiger) 10	+\$48
Price Category 11	+\$53
Price Category (Geiger) 11	+\$53
Price Category R	+\$94
Price Category (Geiger) COL A	+\$0

Step 7. Arm/Base Finish

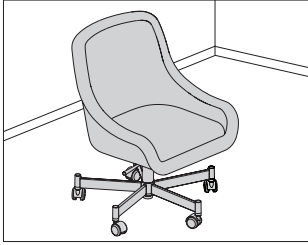
CD polished aluminum A	+\$0
G1 graphite A	+\$0

Step 8. Casters

BB 2½" hard caster, black yoke, carpet only A	+\$0
C7 2½" caster, black yoke, hard floors or carpet A	+\$35

Bumper Low Arm Conference Chair, 5 Star

SBR5L



Product Information

Description

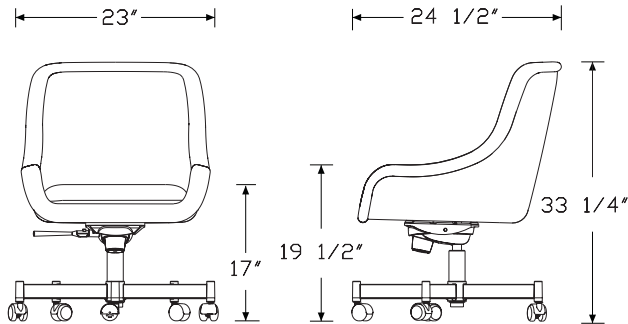
This conference chair has upholstered inner and outer shells and arm cap, each made from one continuous piece of fabric or leather, and an upholstered seat cushion. The frame is rigid molded urethane with foam inserts. The 5-star swivel base is polished cast aluminum with a chrome hooded dual black caster.

Notes

Customer's Own Material (COM) requires 2½ yards for the shell inside and outside, an additional 1¾ yards for the arm cap and cushion, or 4¼ yards when specifying entire chair in the same fabric. See Order Information in Appendices.

Customer's Own Leather (COL) requires 45 square feet for the shell inside and outside, an additional 31½ square feet for the arm cap and cushion, or 76½ square feet when specifying entire chair in the same leather. See Order Information in Appendices.

Dimensions



Specification Information

Step 1.

SBR5L [A] \$2730

Step 2. Shell Upholstery

Price Category 1	+\$103
Price Category (Geiger) 1	+\$103
Price Category 2	+\$123
Price Category (Geiger) 2	+\$123
Price Category 3	+\$153
Price Category (Geiger) 3	+\$153
Price Category 4	+\$188
Price Category (Geiger) 4	+\$188
Price Category 5	+\$273
Price Category (Geiger) 5	+\$273
Price Category (Geiger) 6	+\$358
Price Category (Geiger) 7	+\$443
Price Category (Geiger) 8	+\$675
Price Category 9	+\$838
Price Category (Geiger) 9	+\$838
Price Category (Geiger) 10	+\$965
Price Category (Geiger) 11	+\$1080
Price Category (Geiger) 14	+\$1415
Price Category (Geiger) C	+\$138
Price Category (Geiger) D	+\$183
Price Category (Geiger) E	+\$220
Price Category F	+\$265
Price Category (Geiger) F	+\$265
Price Category G	+\$360
Price Category (Geiger) G	+\$360
Price Category (Geiger) H	+\$448
Price Category (Geiger) I	+\$540
Price Category (Geiger) J	+\$633
Price Category (Geiger) K	+\$725
Price Category (Geiger) L	+\$818
Price Category (Geiger) M	+\$910
Price Category (Geiger) N	+\$1003
Price Category (Geiger) O	+\$1095
Price Category (Geiger) P	+\$1185
Price Category (Geiger) Q	+\$1368
Price Category (Geiger) R	+\$1908
Price Category (Geiger) S	+\$2048
Price Category (Geiger) T	+\$2190
Price Category (Geiger) U	+\$2333
Price Category (Geiger) X	+\$2758
Price Category (Geiger) Y	+\$2898
Price Category (Geiger) Z	+\$3040

HermanMiller Ancillary-Work Chairs

Bumper Low Arm Conference Chair, 5 Star *continued*

HermanMiller Ancillary-Work Chairs

Price Category (Geiger) COL <input type="checkbox"/> A	+\$180
Price Category (Geiger) COM <input type="checkbox"/> A	+\$0

Step 3. Arm Cap and Cushion Upholstery

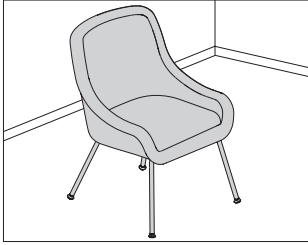
Price Category 1	+\$72
Price Category (Geiger) 1	+\$72
Price Category 2	+\$86
Price Category (Geiger) 2	+\$86
Price Category 3	+\$107
Price Category (Geiger) 3	+\$107
Price Category 4	+\$132
Price Category (Geiger) 4	+\$132
Price Category 5	+\$191
Price Category (Geiger) 5	+\$191
Price Category (Geiger) 6	+\$251
Price Category (Geiger) 7	+\$310
Price Category (Geiger) 8	+\$473
Price Category 9	+\$587
Price Category (Geiger) 9	+\$587
Price Category (Geiger) 10	+\$676
Price Category (Geiger) 11	+\$756
Price Category (Geiger) 14	+\$991
Price Category (Geiger) C	+\$97
Price Category (Geiger) D	+\$128
Price Category (Geiger) E	+\$154
Price Category F	+\$186
Price Category (Geiger) F	+\$186
Price Category G	+\$252
Price Category (Geiger) G	+\$252
Price Category (Geiger) H	+\$314
Price Category (Geiger) I	+\$378
Price Category (Geiger) J	+\$443
Price Category (Geiger) K	+\$508
Price Category (Geiger) L	+\$573
Price Category (Geiger) M	+\$637
Price Category (Geiger) O	+\$767
Price Category (Geiger) P	+\$830
Price Category (Geiger) Q	+\$958
Price Category (Geiger) R	+\$1336
Price Category (Geiger) S	+\$1434
Price Category (Geiger) X	+\$1931
Price Category (Geiger) Y	+\$2029
Price Category (Geiger) Z	+\$2128
Price Category (Geiger) COL <input type="checkbox"/> A	+\$126
Price Category (Geiger) COM <input type="checkbox"/> A	+\$0

Step 4. Base Finish		
CD	polished aluminum <input type="checkbox"/> A	+\$0

Step 5. Caster Option

CHB	chrome hood black hard dual wheels <input type="checkbox"/> A	+\$0
CHS	chrome hood black soft dual wheels <input type="checkbox"/> A	+\$37

Bumper Low Arm Side Chair, 4 Leg SBRL



Product Information

Description

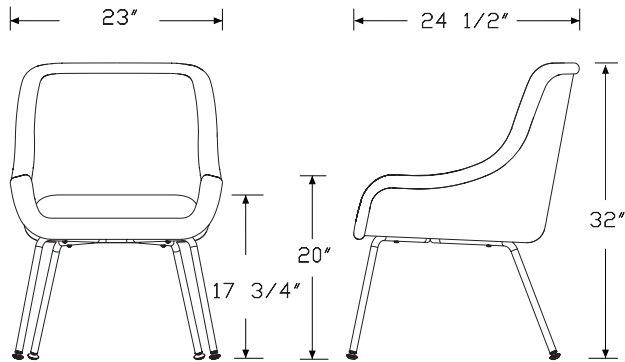
This side chair has upholstered inner and outer shells and arm cap, each made from one continuous piece of fabric or leather. It has an upholstered seat cushion. The frame is rigid molded urethane with foam inserts. The 4-leg base is plated steel, available in satin chrome.

Notes

Customer's Own Material (COM) requires 2½ yards for the shell inside and outside, an additional 1¾ yards for the arm cap and cushion, or 4¼ yards when specifying entire chair in the same fabric. See Order Information in Appendices.

Customer's Own Leather (COL) requires 45 square feet for the shell inside and outside, an additional 31½ square feet for the arm cap and cushion, or 76½ yards when specifying entire chair in the same leather. See Order Information in Appendices.

Dimensions



Specification Information

Step 1.

SBRL A \$2514

Step 2. Shell Upholstery

Price Category 1	+\$103
Price Category (Geiger) 1	+\$103
Price Category 2	+\$123
Price Category (Geiger) 2	+\$123
Price Category 3	+\$153
Price Category (Geiger) 3	+\$153
Price Category 4	+\$188
Price Category (Geiger) 4	+\$188
Price Category 5	+\$273
Price Category (Geiger) 5	+\$273
Price Category (Geiger) 6	+\$358
Price Category (Geiger) 7	+\$443
Price Category (Geiger) 8	+\$675
Price Category 9	+\$838
Price Category (Geiger) 9	+\$838
Price Category (Geiger) 10	+\$965
Price Category (Geiger) 11	+\$1080
Price Category (Geiger) 14	+\$1415
Price Category (Geiger) C	+\$138
Price Category (Geiger) D	+\$183
Price Category (Geiger) E	+\$220
Price Category F	+\$265
Price Category (Geiger) F	+\$265
Price Category G	+\$360
Price Category (Geiger) G	+\$360
Price Category (Geiger) H	+\$448
Price Category (Geiger) I	+\$540
Price Category (Geiger) J	+\$633
Price Category (Geiger) K	+\$725
Price Category (Geiger) L	+\$818
Price Category (Geiger) M	+\$910
Price Category (Geiger) N	+\$1003
Price Category (Geiger) O	+\$1095
Price Category (Geiger) P	+\$1185
Price Category (Geiger) Q	+\$1368
Price Category (Geiger) R	+\$1908
Price Category (Geiger) S	+\$2048
Price Category (Geiger) T	+\$2190
Price Category (Geiger) U	+\$2333
Price Category (Geiger) X	+\$2758
Price Category (Geiger) Y	+\$2898
Price Category (Geiger) Z	+\$3040

HermanMiller Ancillary-Work Chairs

Bumper Low Arm Side Chair, 4 Leg *continued*

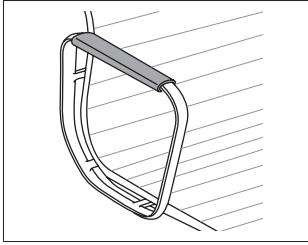
HermanMiller Ancillary-Work Chairs

Price Category (Geiger) COL <input type="checkbox"/> A	+\$180
Price Category (Geiger) COM <input type="checkbox"/> A	+\$0

Step 3. Arm Cap and Cushion Upholstery	
Price Category 1	+\$72
Price Category (Geiger) 1	+\$72
Price Category 2	+\$86
Price Category (Geiger) 2	+\$86
Price Category 3	+\$107
Price Category (Geiger) 3	+\$107
Price Category 4	+\$132
Price Category (Geiger) 4	+\$132
Price Category 5	+\$191
Price Category (Geiger) 5	+\$191
Price Category (Geiger) 6	+\$251
Price Category (Geiger) 7	+\$310
Price Category (Geiger) 8	+\$473
Price Category 9	+\$587
Price Category (Geiger) 9	+\$587
Price Category (Geiger) 10	+\$676
Price Category (Geiger) 11	+\$756
Price Category (Geiger) 14	+\$991
Price Category (Geiger) C	+\$97
Price Category (Geiger) D	+\$128
Price Category (Geiger) E	+\$154
Price Category F	+\$186
Price Category (Geiger) F	+\$186
Price Category G	+\$252
Price Category (Geiger) G	+\$252
Price Category (Geiger) H	+\$314
Price Category (Geiger) I	+\$378
Price Category (Geiger) J	+\$443
Price Category (Geiger) K	+\$508
Price Category (Geiger) L	+\$573
Price Category (Geiger) M	+\$637
Price Category (Geiger) O	+\$767
Price Category (Geiger) P	+\$830
Price Category (Geiger) Q	+\$958
Price Category (Geiger) R	+\$1336
Price Category (Geiger) S	+\$1434
Price Category (Geiger) X	+\$1931
Price Category (Geiger) Y	+\$2029
Price Category (Geiger) Z	+\$2128
Price Category (Geiger) COL <input type="checkbox"/> A	+\$126
Price Category (Geiger) COM <input type="checkbox"/> A	+\$0

Step 4. Base Finish		
SAC	satin chrome <input type="checkbox"/> A	+\$0

Eames® Arm Caps, Package of 2 EAC02



Product Information

Description

These leather arm caps retrofit to select Eames® Aluminum Group and Eames Soft Pad Group chairs. Caps are user applied without tools. Available as a single set of 2 arm caps or in bulk sets of 10 (20 total arm caps).

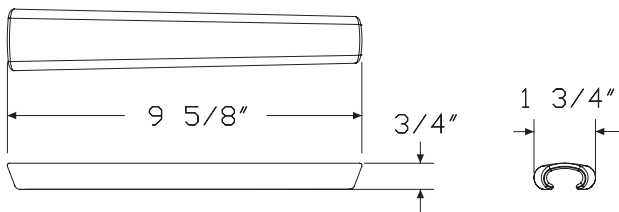
Notes

For bulk set of 10 arm caps, order Eames arm caps, package of 20 (EAC20), separately.

Eames arm caps are compatible with the following products:

- Eames Aluminum Group side chair (EA308)
- Eames Aluminum Group management chair (EA334, EA335)
- Eames Aluminum Group executive chair (EA337)
- Eames Soft Pad side chair (EA408)
- Eames Soft Pad Group management chair (EA434, EA435)
- Eames Soft Pad Group executive chair (EA437)

Dimensions



Specification Information

Step 1.

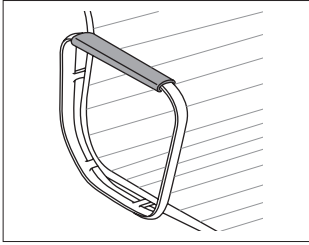
EAC02 A \$105

Step 2. Fabric

Price Category 11 +\$0

Price Category R +\$10

Eames® Arm Caps, Package of 20 EAC20



Product Information

Description

These leather arm caps retrofit to select Eames® Aluminum Group and Eames Soft Pad Group chairs. Caps are user applied without tools. Available in bulk sets of 10 (20 total arm caps) or as a single set of 2 arm caps.

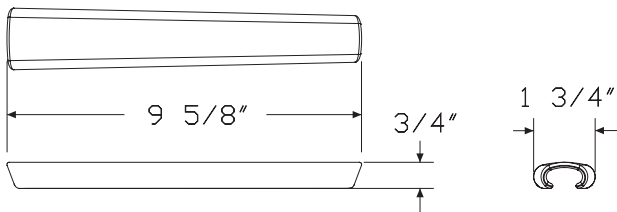
Notes

For single set of 2 arm caps, order Eames arm caps, package of 2 (EAC02), separately.

Eames arm caps are compatible with the following products:

- Eames Aluminum Group side chair (EA308)
- Eames Aluminum Group management chair (EA334, EA335)
- Eames Aluminum Group executive chair (EA337)
- Eames Soft Pad side chair (EA408)
- Eames Soft Pad Group management chair (EA434, EA435)
- Eames Soft Pad Group executive chair (EA437)

Dimensions



Specification Information

Step 1.

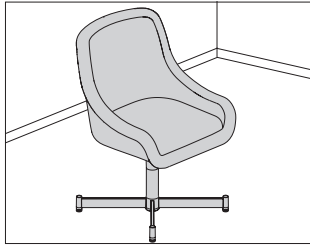
EAC20 A \$1050

Step 2. Fabric

Price Category 11 +\$0

Price Category R +\$100

Bumper Low Arm Side Chair, 4 Star SBR4L



Product Information

Description

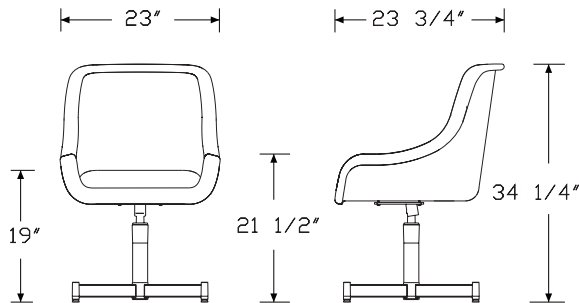
This side chair has upholstered inner and outer shells and arm cap, each made from one continuous piece of fabric or leather, and an upholstered seat cushion. The frame is rigid molded urethane with foam inserts. The 4-star swivel base is polished cast aluminum with black glides.

Notes

Customer's Own Material (COM) requires 2½ yards for the shell inside and outside, an additional 1¾ yards for the arm cap and cushion, or 4¼ yards when specifying entire chair in the same fabric. See Order Information in Appendices.

Customer's Own Leather (COL) requires 45 square feet for the shell inside and outside, an additional 31½ square feet for the arm cap and cushion, or 76½ yards when specifying entire chair in the same leather. See Order Information in Appendices.

Dimensions



Specification Information

Step 1.

SBR4L [A] \$2659

Step 2. Shell Upholstery

Price Category 1	+\$103
Price Category (Geiger) 1	+\$103
Price Category 2	+\$123
Price Category (Geiger) 2	+\$123
Price Category 3	+\$153
Price Category (Geiger) 3	+\$153
Price Category 4	+\$188
Price Category (Geiger) 4	+\$188
Price Category 5	+\$273
Price Category (Geiger) 5	+\$273
Price Category (Geiger) 6	+\$358
Price Category (Geiger) 7	+\$443
Price Category (Geiger) 8	+\$675
Price Category 9	+\$838
Price Category (Geiger) 9	+\$838
Price Category (Geiger) 10	+\$965
Price Category (Geiger) 11	+\$1080
Price Category (Geiger) 14	+\$1415
Price Category (Geiger) C	+\$138
Price Category (Geiger) D	+\$183
Price Category (Geiger) E	+\$220
Price Category F	+\$265
Price Category (Geiger) F	+\$265
Price Category G	+\$360
Price Category (Geiger) G	+\$360
Price Category (Geiger) H	+\$448
Price Category (Geiger) I	+\$540
Price Category (Geiger) J	+\$633
Price Category (Geiger) K	+\$725
Price Category (Geiger) L	+\$818
Price Category (Geiger) M	+\$910
Price Category (Geiger) N	+\$1003
Price Category (Geiger) O	+\$1095
Price Category (Geiger) P	+\$1185
Price Category (Geiger) Q	+\$1368
Price Category (Geiger) R	+\$1908
Price Category (Geiger) S	+\$2048
Price Category (Geiger) T	+\$2190
Price Category (Geiger) U	+\$2333
Price Category (Geiger) X	+\$2758
Price Category (Geiger) Y	+\$2898
Price Category (Geiger) Z	+\$3040

HermanMiller Ancillary-Work Chairs

Bumper Low Arm Side Chair, 4 Star *continued*

Price Category (Geiger) COL <input type="checkbox"/> A	+\$180
Price Category (Geiger) COM <input type="checkbox"/> A	+\$0

Step 3. Arm Cap and Cushion Upholstery

Price Category 1	+\$72
Price Category (Geiger) 1	+\$72
Price Category 2	+\$86
Price Category (Geiger) 2	+\$86
Price Category 3	+\$107
Price Category (Geiger) 3	+\$107
Price Category 4	+\$132
Price Category (Geiger) 4	+\$132
Price Category 5	+\$191
Price Category (Geiger) 5	+\$191
Price Category (Geiger) 6	+\$251
Price Category (Geiger) 7	+\$310
Price Category (Geiger) 8	+\$473
Price Category 9	+\$587
Price Category (Geiger) 9	+\$587
Price Category (Geiger) 10	+\$676
Price Category (Geiger) 11	+\$756
Price Category (Geiger) 14	+\$991
Price Category (Geiger) C	+\$97
Price Category (Geiger) D	+\$128
Price Category (Geiger) E	+\$154
Price Category F	+\$186
Price Category (Geiger) F	+\$186
Price Category G	+\$252
Price Category (Geiger) G	+\$252
Price Category (Geiger) H	+\$314
Price Category (Geiger) I	+\$378
Price Category (Geiger) J	+\$443
Price Category (Geiger) K	+\$508
Price Category (Geiger) L	+\$573
Price Category (Geiger) M	+\$637
Price Category (Geiger) O	+\$767
Price Category (Geiger) P	+\$830
Price Category (Geiger) Q	+\$958
Price Category (Geiger) R	+\$1336
Price Category (Geiger) S	+\$1434
Price Category (Geiger) X	+\$1931
Price Category (Geiger) Y	+\$2029
Price Category (Geiger) Z	+\$2128
Price Category (Geiger) COL <input type="checkbox"/> A	+\$126
Price Category (Geiger) COM <input type="checkbox"/> A	+\$0

Step 4. Base Finish	
CD polished aluminum <input type="checkbox"/> A	+\$0

Bumper High Arm Conference Chair, 5 Star

SBR5H



Product Information

Description

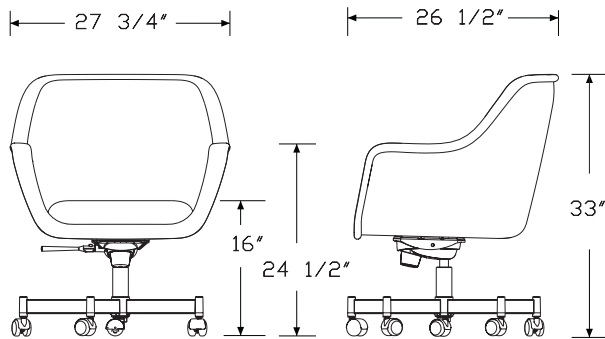
This conference chair has upholstered inner and outer shells and arm cap, each made from one continuous piece of fabric or leather, and an upholstered seat cushion. The frame is rigid molded urethane with foam inserts. The 5-star swivel base is polished cast aluminum with a chrome hooded dual black caster.

Notes

Customer's Own Material (COM) requires 2½ yards for the shell inside and outside, an additional 1¾ yards for the arm cap and cushion, or 4¼ yards when specifying entire chair in the same fabric. See Order Information in Appendices.

Customer's Own Leather (COL) requires 45 square feet for the shell inside and outside, an additional 31½ square feet for the arm cap and cushion, or 76½ square feet when specifying entire chair in the same leather. See Order Information in Appendices.

Dimensions



Specification Information

Step 1.

SBR5H [A] \$2730

Step 2. Shell Upholstery

Price Category 1	+\$103
Price Category (Geiger) 1	+\$103
Price Category 2	+\$123
Price Category (Geiger) 2	+\$123
Price Category 3	+\$153
Price Category (Geiger) 3	+\$153
Price Category 4	+\$188
Price Category (Geiger) 4	+\$188
Price Category 5	+\$273
Price Category (Geiger) 5	+\$273
Price Category (Geiger) 6	+\$358
Price Category (Geiger) 7	+\$443
Price Category (Geiger) 8	+\$675
Price Category 9	+\$838
Price Category (Geiger) 9	+\$838
Price Category (Geiger) 10	+\$965
Price Category (Geiger) 11	+\$1080
Price Category (Geiger) 14	+\$1415
Price Category (Geiger) C	+\$138
Price Category (Geiger) D	+\$183
Price Category (Geiger) E	+\$220
Price Category F	+\$265
Price Category (Geiger) F	+\$265
Price Category G	+\$360
Price Category (Geiger) G	+\$360
Price Category (Geiger) H	+\$448
Price Category (Geiger) I	+\$540
Price Category (Geiger) J	+\$633
Price Category (Geiger) K	+\$725
Price Category (Geiger) L	+\$818
Price Category (Geiger) M	+\$910
Price Category (Geiger) N	+\$1003
Price Category (Geiger) O	+\$1095
Price Category (Geiger) P	+\$1185
Price Category (Geiger) Q	+\$1368
Price Category (Geiger) R	+\$1908
Price Category (Geiger) S	+\$2048
Price Category (Geiger) T	+\$2190
Price Category (Geiger) U	+\$2333
Price Category (Geiger) X	+\$2758
Price Category (Geiger) Y	+\$2898
Price Category (Geiger) Z	+\$3040

HermanMiller Ancillary-Work Chairs

Bumper High Arm Conference Chair, 5 Star *continued*

Price Category (Geiger) COL <input type="checkbox"/> A	+\$180
Price Category (Geiger) COM <input type="checkbox"/> A	+\$0

Step 3. Arm Cap and Cushion Upholstery

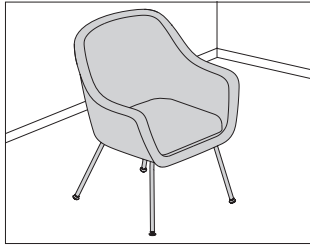
Price Category 1	+\$72
Price Category (Geiger) 1	+\$72
Price Category 2	+\$86
Price Category (Geiger) 2	+\$86
Price Category 3	+\$107
Price Category (Geiger) 3	+\$107
Price Category 4	+\$132
Price Category (Geiger) 4	+\$132
Price Category 5	+\$191
Price Category (Geiger) 5	+\$191
Price Category (Geiger) 6	+\$251
Price Category (Geiger) 7	+\$310
Price Category (Geiger) 8	+\$473
Price Category 9	+\$587
Price Category (Geiger) 9	+\$587
Price Category (Geiger) 10	+\$676
Price Category (Geiger) 11	+\$756
Price Category (Geiger) 14	+\$991
Price Category (Geiger) C	+\$97
Price Category (Geiger) D	+\$128
Price Category (Geiger) E	+\$154
Price Category F	+\$186
Price Category (Geiger) F	+\$186
Price Category G	+\$252
Price Category (Geiger) G	+\$252
Price Category (Geiger) H	+\$314
Price Category (Geiger) I	+\$378
Price Category (Geiger) J	+\$443
Price Category (Geiger) K	+\$508
Price Category (Geiger) L	+\$573
Price Category (Geiger) M	+\$637
Price Category (Geiger) O	+\$767
Price Category (Geiger) P	+\$830
Price Category (Geiger) Q	+\$958
Price Category (Geiger) R	+\$1336
Price Category (Geiger) S	+\$1434
Price Category (Geiger) X	+\$1931
Price Category (Geiger) Y	+\$2029
Price Category (Geiger) Z	+\$2128
Price Category (Geiger) COL <input type="checkbox"/> A	+\$126
Price Category (Geiger) COM <input type="checkbox"/> A	+\$0

Step 4. Base Finish		
CD	polished aluminum <input type="checkbox"/> A	+\$0

Step 5. Caster Option

CHB	chrome hood black hard dual wheels <input type="checkbox"/> A	+\$0
CHS	chrome hood black soft dual wheels <input type="checkbox"/> A	+\$37

Bumper High Arm Side Chair, 4 Leg SBRLH



Product Information

Description

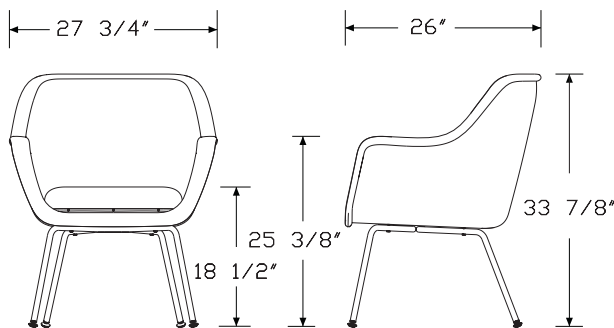
This side chair has upholstered inner and outer shells and arm cap, each made from one continuous piece of fabric or leather. It has an upholstered seat cushion. The frame is rigid molded urethane with foam inserts. The 4-leg base is plated steel, available in satin chrome.

Notes

Customer's Own Material (COM) requires 2½ yards for the shell inside and outside, an additional 1¾ yards for the arm cap and cushion, or 4¼ yards when specifying entire chair in the same fabric. See Order Information in Appendices.

Customer's Own Leather (COL) requires 45 square feet for the shell inside and outside, an additional 31½ square feet for the arm cap and cushion, or 76½ yards when specifying entire chair in the same leather. See Order Information in Appendices.

Dimensions



Specification Information

Step 1.

SBRLH [A] \$2514

Step 2. Shell Upholstery

Price Category 1	+\$103
Price Category (Geiger) 1	+\$103
Price Category 2	+\$123
Price Category (Geiger) 2	+\$123
Price Category 3	+\$153
Price Category (Geiger) 3	+\$153
Price Category 4	+\$188
Price Category (Geiger) 4	+\$188
Price Category 5	+\$273
Price Category (Geiger) 5	+\$273
Price Category (Geiger) 6	+\$358
Price Category (Geiger) 7	+\$443
Price Category (Geiger) 8	+\$675
Price Category 9	+\$838
Price Category (Geiger) 9	+\$838
Price Category (Geiger) 10	+\$965
Price Category (Geiger) 11	+\$1080
Price Category (Geiger) 14	+\$1415
Price Category (Geiger) C	+\$138
Price Category (Geiger) D	+\$183
Price Category (Geiger) E	+\$220
Price Category F	+\$265
Price Category (Geiger) F	+\$265
Price Category G	+\$360
Price Category (Geiger) G	+\$360
Price Category (Geiger) H	+\$448
Price Category (Geiger) I	+\$540
Price Category (Geiger) J	+\$633
Price Category (Geiger) K	+\$725
Price Category (Geiger) L	+\$818
Price Category (Geiger) M	+\$910
Price Category (Geiger) N	+\$1003
Price Category (Geiger) O	+\$1095
Price Category (Geiger) P	+\$1185
Price Category (Geiger) Q	+\$1368
Price Category (Geiger) R	+\$1908
Price Category (Geiger) S	+\$2048
Price Category (Geiger) T	+\$2190
Price Category (Geiger) U	+\$2333
Price Category (Geiger) X	+\$2758
Price Category (Geiger) Y	+\$2898
Price Category (Geiger) Z	+\$3040

Bumper High Arm Side Chair, 4 Leg *continued*

HermanMiller Ancillary-Work Chairs

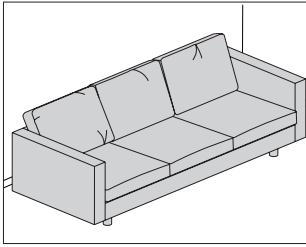
Price Category (Geiger) COL <input type="checkbox"/> A	+\$180
Price Category (Geiger) COM <input type="checkbox"/> A	+\$0

Step 3. Arm Cap and Cushion Upholstery	
Price Category 1	+\$72
Price Category (Geiger) 1	+\$72
Price Category 2	+\$86
Price Category (Geiger) 2	+\$86
Price Category 3	+\$107
Price Category (Geiger) 3	+\$107
Price Category 4	+\$132
Price Category (Geiger) 4	+\$132
Price Category 5	+\$191
Price Category (Geiger) 5	+\$191
Price Category (Geiger) 6	+\$251
Price Category (Geiger) 7	+\$310
Price Category (Geiger) 8	+\$473
Price Category 9	+\$587
Price Category (Geiger) 9	+\$587
Price Category (Geiger) 10	+\$676
Price Category (Geiger) 11	+\$756
Price Category (Geiger) 14	+\$991
Price Category (Geiger) C	+\$97
Price Category (Geiger) D	+\$128
Price Category (Geiger) E	+\$154
Price Category F	+\$186
Price Category (Geiger) F	+\$186
Price Category G	+\$252
Price Category (Geiger) G	+\$252
Price Category (Geiger) H	+\$314
Price Category (Geiger) I	+\$378
Price Category (Geiger) J	+\$443
Price Category (Geiger) K	+\$508
Price Category (Geiger) L	+\$573
Price Category (Geiger) M	+\$637
Price Category (Geiger) O	+\$767
Price Category (Geiger) P	+\$830
Price Category (Geiger) Q	+\$958
Price Category (Geiger) R	+\$1336
Price Category (Geiger) S	+\$1434
Price Category (Geiger) X	+\$1931
Price Category (Geiger) Y	+\$2029
Price Category (Geiger) Z	+\$2128
Price Category (Geiger) COL <input type="checkbox"/> A	+\$126
Price Category (Geiger) COM <input type="checkbox"/> A	+\$0

Step 4. Base Finish		
SAC	satin chrome <input type="checkbox"/> A	+\$0

Lispenard Sofa

AL510



Product Information

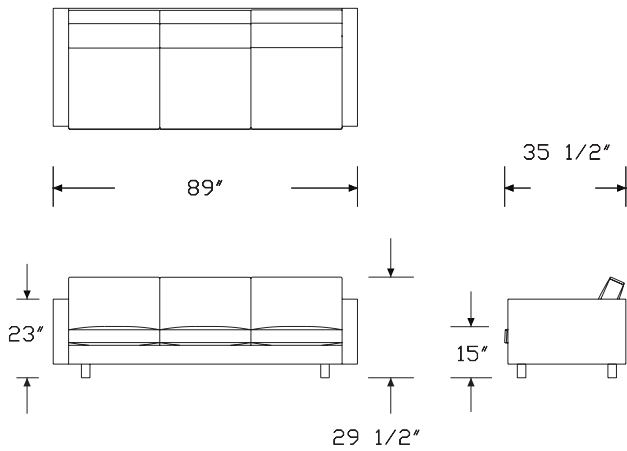
Description

The 3-seat sofa cushion construction features a combination of duck feather and down. The sofa offers a sit height of 15" and a depth of 23 1/2" at a depth pitch of 1 1/4". The 4"-high rounded wooden legs are available in walnut and white oak finishes.

Notes

Customer's Own Material (COM) requires 14 yards. Customer's Own Leather (COL) requires 167 square feet. See Order Information in appendices.

Dimensions



Specification Information

Step 1.

AL51

Step 2. Configuration

003 sofa

Prices for Steps 1-2.

AL51003 \$7164

Step 3. Cushion Alignment

A attached cushions +\$200
U unattached cushions +\$0

Step 4. Leg Finish

OU walnut +\$0
LTO light oak +\$0

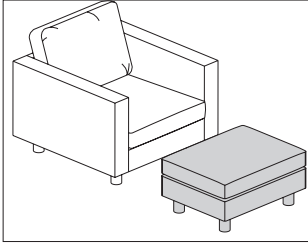
Step 5. Fabric

Price Category R +\$5977
 Price Category 1 +\$0
 Price Category 2 +\$122
 Price Category 3 +\$256
 Price Category (Geiger) 3 +\$277
 Price Category 4 +\$500
 Price Category (Geiger) 4 +\$528
 Price Category 5 +\$1104
 Price Category (Geiger) 5 +\$1104
 Price Category (Geiger) 6 +\$1243
 Price Category 7 +\$2172
 Price Category (Geiger) 7 +\$2172
 Price Category 8 +\$3445
 Price Category (Geiger) 8 +\$3445
 Price Category 9 +\$4488
 Price Category (Geiger) 9 +\$4488
 Price Category 10 +\$3864
 Price Category 11 +\$5088
 Price Category 14 +\$6480
 Price Category D +\$871
 Price Category H +\$2149
 Price Category I +\$2527
 Price Category J +\$2904

HermanMiller Ancillary-Sofas

Lispenard Ottoman

AL510



Product Information

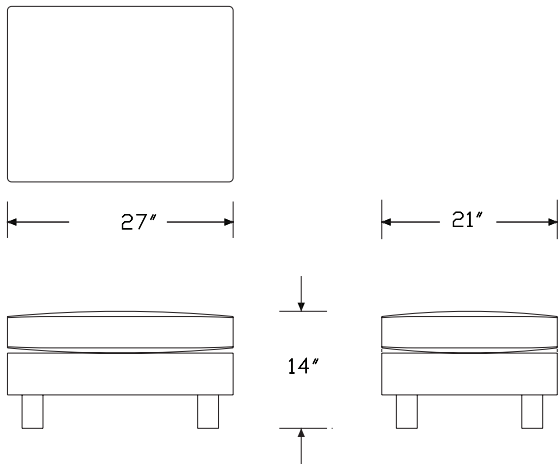
Description

The ottoman cushion construction features a combination of duck feather and down. Sit height is 14". Ottoman is rectangular and measures 21"×27". The 4"-high rounded wooden legs are available in walnut and white oak finishes.

Notes

Customer's Own Material (COM) requires 3 yards. Customer's Own Leather (COL) requires 36 square feet. See Order Information in appendices.

Dimensions



HermanMiller Ancillary-Sofas

Specification Information

Step 1.

AL51

Step 2. Configuration

004 ottoman

Prices for Steps 1-2.

AL51004 \$2362

Step 3. Leg Finish

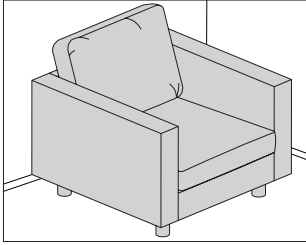
OU walnut	+\$0
LTO light oak	+\$0

Step 4. Fabric

Price Category R	+\$1280
Price Category 1	+\$0
Price Category 2	+\$26
Price Category 3	+\$55
Price Category (Geiger) 3	+\$60
Price Category 4	+\$107
Price Category (Geiger) 4	+\$113
Price Category 5	+\$182
Price Category (Geiger) 5	+\$182
Price Category (Geiger) 6	+\$266
Price Category 7	+\$792
Price Category (Geiger) 7	+\$792
Price Category 8	+\$924
Price Category (Geiger) 8	+\$924
Price Category 9	+\$1032
Price Category (Geiger) 9	+\$1032
Price Category 10	+\$1344
Price Category 11	+\$1452
Price Category 14	+\$2244
Price Category D	+\$187
Price Category H	+\$461
Price Category I	+\$542
Price Category J	+\$623

Lispenard Chair

AL510



Product Information

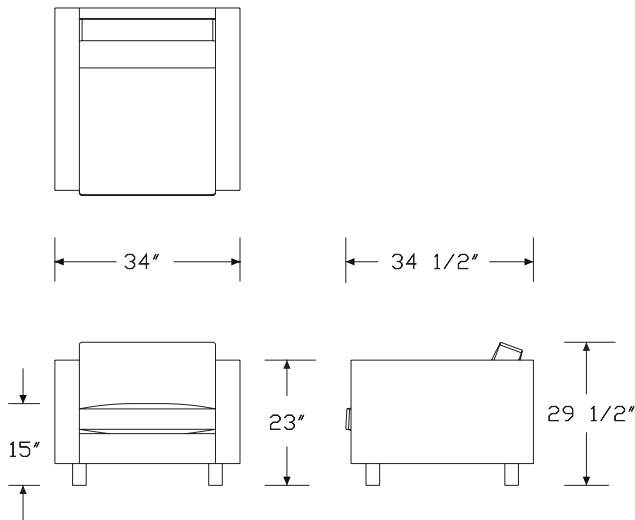
Description

The armchair cushion construction features a combination of duck feather and down. The chair offers a sit height of 15" and a depth of 23 1/2" at a depth pitch of 1 1/4". The 4"-high rounded wooden legs are available in walnut and white oak finishes.

Notes

Customer's Own Material (COM) requires 6 yards. Customer's Own Leather (COL) requires 85 square feet. See Order Information in appendices.

Dimensions



Specification Information

Step 1.

AL51

Step 2. Configuration

000 armchair

Prices for Steps 1-2.

AL51000 \$4293

Step 3. Cushion Alignment

A attached cushions +\$70
U unattached cushions +\$0

Step 4. Leg Finish

OU walnut +\$0
LTO light oak +\$0

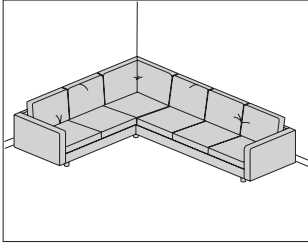
Step 5. Fabric

Price Category R +\$2562
 Price Category 1 +\$0
 Price Category 2 +\$53
 Price Category 3 +\$109
 Price Category (Geiger) 3 +\$119
 Price Category 4 +\$365
 Price Category (Geiger) 4 +\$226
 Price Category 5 +\$365
 Price Category (Geiger) 5 +\$365
 Price Category (Geiger) 6 +\$533
 Price Category 7 +\$756
 Price Category (Geiger) 7 +\$756
 Price Category 8 +\$1646
 Price Category (Geiger) 8 +\$1646
 Price Category 9 +\$2376
 Price Category (Geiger) 9 +\$2376
 Price Category 10 +\$1704
 Price Category 11 +\$2688
 Price Category 14 +\$3288
 Price Category D +\$373
 Price Category H +\$922
 Price Category I +\$1082
 Price Category J +\$1244

HermanMiller Ancillary-Sofas

Lispenard Sectional

AL510



Product Information

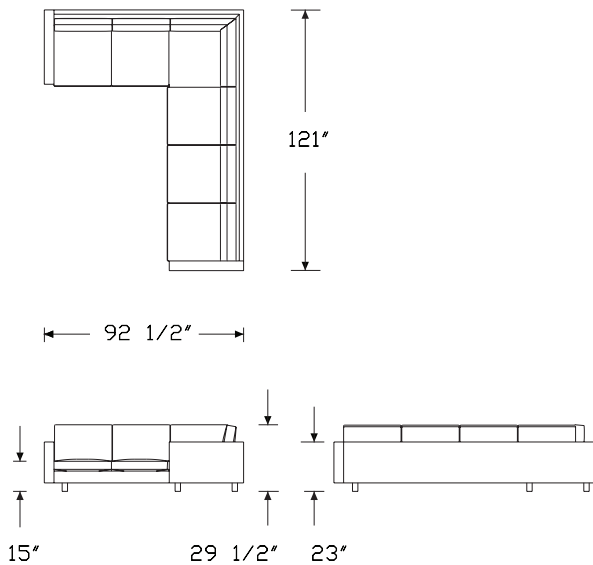
Description

The corner sectional's cushion construction features a combination of duck feather and down. Sit height is 15" with a depth of 23 1/2" at a depth pitch of 1 1/4". The 4"-high rounded wooden legs are available in walnut and white oak finishes.

Notes

For corner sectional, right (AL51005), right side dimension is 121" (longer side). The right side is determined from the seated position.
 For corner sectional, left (AL51006), left side dimension is 121" (longer side). The left side is determined from the seated position.
 Customer's Own Material (COM) requires 28 yards. Customer's Own Leather (COL) requires 336 square feet. See Order Information in appendices.

Dimensions



Specification Information

Step 1.

AL51

Step 2. Configuration

- 005** corner sectional, right
- 006** corner sectional, left

Prices for Steps 1-2.

AL51005	\$14650
AL51006	\$14650

Step 3. Cushion Alignment

A	attached cushions	+\$380
U	unattached cushions	+\$0

Step 4. Leg Finish

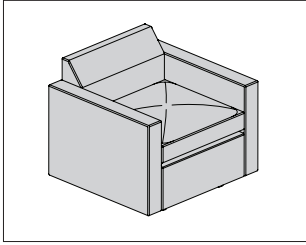
OU	walnut	+\$0
LTO	light oak	+\$0

Step 5. Fabric

Price Category R	+\$11954
Price Category 1	+\$0
Price Category 2	+\$245
Price Category 3	+\$511
Price Category (Geiger) 3	+\$554
Price Category 4	+\$1001
Price Category (Geiger) 4	+\$1055
Price Category 5	+\$1700
Price Category (Geiger) 5	+\$1700
Price Category (Geiger) 6	+\$2485
Price Category 7	+\$3528
Price Category (Geiger) 7	+\$3528
Price Category 8	+\$6570
Price Category (Geiger) 8	+\$6570
Price Category 9	+\$9060
Price Category (Geiger) 9	+\$9060
Price Category 10	+\$6264
Price Category 11	+\$10260
Price Category 14	+\$10500
Price Category D	+\$1744
Price Category H	+\$4300
Price Category I	+\$5053
Price Category J	+\$5808

Bevel Club Chair

AL6C1



Product Information

Description

This chair features wood frame construction, fire retardant free foam and down topper. Legs are wood in ebony finish. Ganging hardware included.

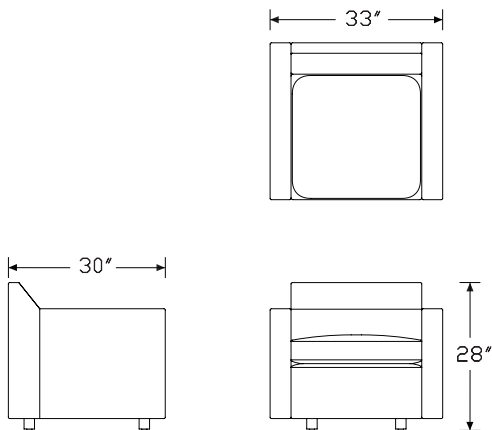
Notes

Handedness is determined from a seated position.

Customer's Own Material (COM) requires 6 yards. Customer's Own Leather (COL) requires 65 square feet. See Order Information in Appendices.

Limited textile selection available. See application chart in appendices.

Dimensions



Specification Information

Step 1.

AL6C

Step 2. Configuration

1000 club chair

Prices for Steps 1-2.

AL6C1000 \$4403

Step 3. Leg Finish

EN ebony +\$0

Step 4. Fabric

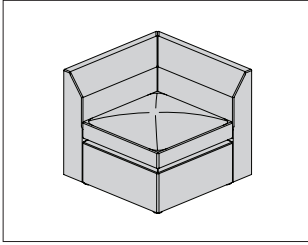
Price Category 1	+\$0
Price Category 2	+\$73
Price Category 3	+\$144
Price Category (Geiger) 3	+\$144
Price Category 4	+\$272
Price Category (Geiger) 4	+\$272
Price Category 5	+\$457
Price Category (Geiger) 5	+\$457
Price Category (Geiger) 6	+\$641
Price Category 7	+\$859
Price Category (Geiger) 7	+\$859
Price Category 8	+\$1165
Price Category (Geiger) 8	+\$1165
Price Category 9	+\$1417
Price Category (Geiger) 9	+\$1417
Price Category 10	+\$1704
Price Category 11	+\$1991
Price Category 14	+\$2993
Price Category D	+\$451
Price Category H	+\$1110
Price Category I	+\$1304
Price Category J	+\$1499

Step 5. Fire Retardancy

NFR not fire retardant	+\$0
FR fire retardant	+\$150

Bevel Corner

AL6C1



Product Information

Description

This corner features wood frame construction, fire retardant free foam and down topper. Legs are wood in ebony finish. Ganging hardware included.

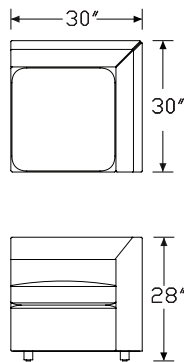
Notes

Handedness is determined from a seated position.

Customer's Own Material (COM) requires 5½ yards. Customer's Own Leather (COL) requires 56 square feet. See Order Information in Appendices.

Limited textile selection available. See application chart in appendices.

Dimensions



Specification Information

Step 1.

AL6C

Step 2. Configuration

1005 corner

Prices for Steps 1-2.

AL6C1005 \$4221

Step 3. Leg Finish

EN ebony +\$0

Step 4. Fabric

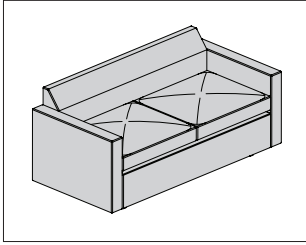
Price Category 1	+\$0
Price Category 2	+\$73
Price Category 3	+\$144
Price Category (Geiger) 3	+\$144
Price Category 4	+\$272
Price Category (Geiger) 4	+\$272
Price Category 5	+\$457
Price Category (Geiger) 5	+\$457
Price Category (Geiger) 6	+\$641
Price Category 7	+\$859
Price Category (Geiger) 7	+\$859
Price Category 8	+\$1165
Price Category (Geiger) 8	+\$1165
Price Category 9	+\$1417
Price Category (Geiger) 9	+\$1417
Price Category 10	+\$1704
Price Category 11	+\$1991
Price Category 14	+\$2993
Price Category D	+\$451
Price Category H	+\$1110
Price Category I	+\$1304
Price Category J	+\$1499

Step 5. Fire Retardancy

NFR not fire retardant	+\$0
FR fire retardant	+\$0

Bevel Settee

AL6C1



Product Information

Description

This settee features wood frame construction, fire retardant free foam and down topper. It is available with or without arms or in left-arm or right-arm configuration. Legs are wood in ebony finish. Ganging hardware included. Shipped on end.

Notes

Handedness is determined from a seated position.

Customer's Own Material (COM) requires the following yardage:

Configuration—Yards

1002—9

1002A—8

1002R—8

1002L—8

Customer's Own Leather (COL) requires the following square feet:

Configuration—Square Feet

1002—102

1002A—92

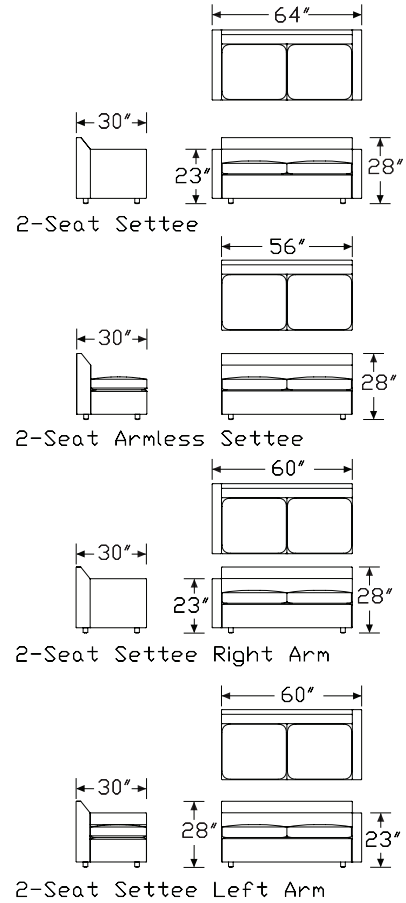
1002R—92

1002L—92

See Order Information in Appendices.

Limited textile selection available. See application chart in appendices.

Dimensions

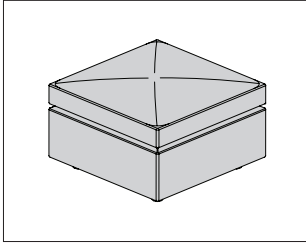


Bevel Settee *continued*

Specification Information		
Step 1.		
AL6C		
Step 2. Configuration		
1002	2-seat settee	
1002A	2-seat armless settee	
1002R	2-seat settee right arm	
1002L	2-seat settee left arm	
Prices for Steps 1-2.		
AL6C1002		\$5751
AL6C1002A		\$5089
AL6C1002R		\$5393
AL6C1002L		\$5393
Step 3. Leg Finish		
EN	ebony	+\$0
Step 4. Fabric		
	Price Category 1	+\$0
	Price Category 2	+\$90
	Price Category 3	+\$174
	Price Category (Geiger) 3	+\$174
	Price Category 4	+\$331
	Price Category (Geiger) 4	+\$331
	Price Category 5	+\$554
	Price Category (Geiger) 5	+\$554
	Price Category (Geiger) 6	+\$778
	Price Category 7	+\$778
	Price Category (Geiger) 7	+\$1044
	Price Category 8	+\$1416
	Price Category (Geiger) 8	+\$1416
	Price Category 9	+\$1721
	Price Category (Geiger) 9	+\$1721
	Price Category 10	+\$2070
	Price Category 11	+\$2417
	Price Category 14	+\$3634
	Price Category D	+\$548
	Price Category H	+\$1348
	Price Category I	+\$1584
	Price Category J	+\$1820
Step 5. Fire Retardancy		
NFR	not fire retardant	+\$0
FR	fire retardant	+\$300

Bevel Ottoman

AL6C0



Product Information

Description

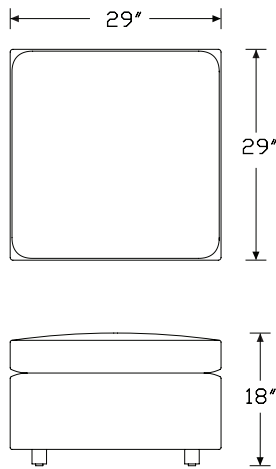
This ottoman features wood frame construction, fire retardant free foam and down topper. Legs are wood in ebony finish. Ganging hardware included.

Notes

Customer's Own Material (COM) requires 4 yards. Customer's Own Leather (COL) requires 39 square feet. See Order Information in Appendices.

Limited textile selection available. See application chart in appendices.

Dimensions



Specification Information

Step 1.

AL6C

Step 2. Configuration

0400 ottoman

Prices for Steps 1-2.

AL6C0400 \$3046

Step 3. Leg Finish

EN ebony +\$0

Step 4. Fabric

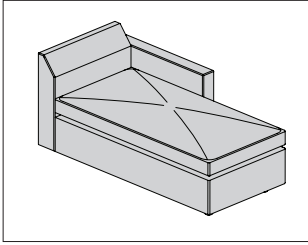
Price Category 1	+\$0
Price Category 2	+\$43
Price Category 3	+\$82
Price Category (Geiger) 3	+\$82
Price Category 4	+\$156
Price Category (Geiger) 4	+\$156
Price Category 5	+\$262
Price Category (Geiger) 5	+\$262
Price Category (Geiger) 6	+\$366
Price Category 7	+\$491
Price Category (Geiger) 7	+\$491
Price Category 8	+\$666
Price Category (Geiger) 8	+\$666
Price Category 9	+\$810
Price Category (Geiger) 9	+\$810
Price Category 10	+\$974
Price Category 11	+\$1138
Price Category 14	+\$1710
Price Category D	+\$259
Price Category H	+\$635
Price Category I	+\$746
Price Category J	+\$857

Step 5. Fire Retardancy

NFR not fire retardant	+\$0
FR fire retardant	+\$100

Bevel Chaise

AL6C1



Product Information

Description

This chaise features wood frame construction, fire retardant free foam and down topper. It is available in left-arm or right-arm configuration. Legs are wood in ebony finish. Ganging hardware included. Shipped on end.

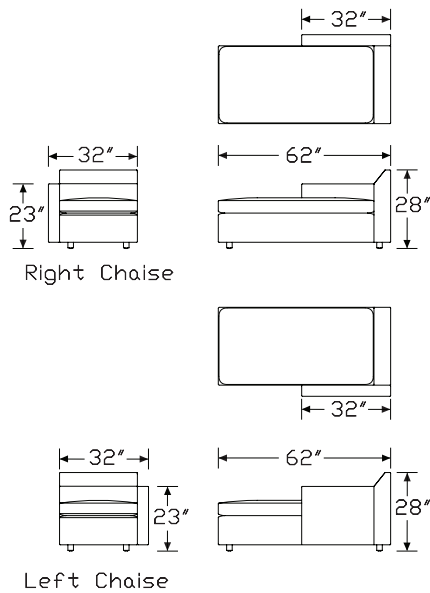
Notes

Handedness is determined from a seated position.

Customer's Own Material (COM) requires 8 yards. Customer's Own Leather (COL) requires 90 square feet. See Order Information in Appendices.

Limited textile selection available. See application chart in appendices.

Dimensions



Specification Information

Step 1.

AL6C

Step 2. Direction

1004L left chaise

1004R right chaise

Prices for Steps 1-2.

AL6C1004L	\$5486
AL6C1004R	\$5486

Step 3. Leg Finish

EN ebony	+\$0
-----------------	------

Step 4. Fabric

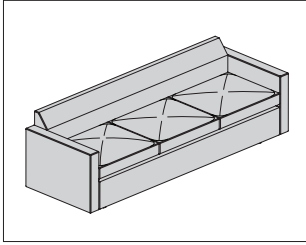
Price Category 1	+\$0
Price Category 2	+\$95
Price Category 3	+\$185
Price Category (Geiger) 3	+\$185
Price Category 4	+\$350
Price Category (Geiger) 4	+\$350
Price Category 5	+\$587
Price Category (Geiger) 5	+\$587
Price Category (Geiger) 6	+\$823
Price Category 7	+\$1105
Price Category (Geiger) 7	+\$1105
Price Category 8	+\$1500
Price Category (Geiger) 8	+\$1500
Price Category 9	+\$1822
Price Category (Geiger) 9	+\$1822
Price Category 10	+\$2191
Price Category 11	+\$2560
Price Category 14	+\$3847
Price Category D	+\$582
Price Category H	+\$1427
Price Category I	+\$1676
Price Category J	+\$1926

Step 5. Fire Retardancy

NFR not fire retardant	+\$0
FR fire retardant	+\$250

Bevel Sofa

AL6C1



Product Information

Description

This sofa features wood frame construction, fire retardant free foam and down topper. It is available with or without arms or in left-arm or right-arm configuration. Legs are wood in ebony finish. Ganging hardware included. Shipped on end.

Notes

Handedness is determined from a seated position.

Customer's Own Material (COM) requires the following yardage:

Configuration—Yards

1003—12

1003A—10

1003R—10

1003L—10

Customer's Own Leather (COL) requires the following square feet:

Configuration—Square Feet

1003—135

1003A—126

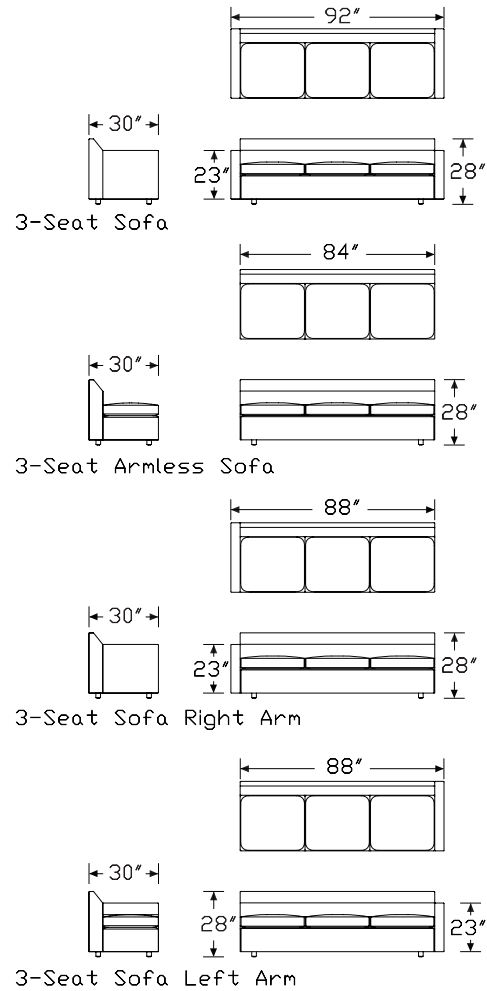
1003R—126

1003L—114

See Order Information in Appendices.

Limited textile selection available. See application chart in appendices.

Dimensions

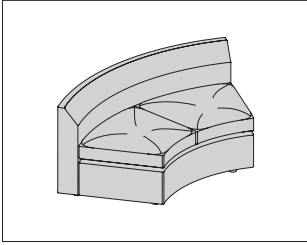


Bevel Sofa *continued*

Specification Information		
Step 1.		
AL6C		
Step 2. Configuration		
1003	3-seat sofa	
1003A	3-seat armless sofa	
1003R	3-seat sofa right arm	
1003L	3-seat sofa left arm	
Prices for Steps 1-2.		
AL6C1003		\$7271
AL6C1003A		\$6602
AL6C1003R		\$6911
AL6C1003L		\$6911
Step 3. Leg Finish		
EN	ebony	+\$0
Step 4. Fabric		
	Price Category 1	+\$0
	Price Category 2	+\$109
	Price Category 3	+\$215
	Price Category (Geiger) 3	+\$215
	Price Category 4	+\$408
	Price Category (Geiger) 4	+\$408
	Price Category 5	+\$684
	Price Category (Geiger) 5	+\$684
	Price Category (Geiger) 6	+\$961
	Price Category 7	+\$1290
	Price Category (Geiger) 7	+\$1290
	Price Category 8	+\$1750
	Price Category (Geiger) 8	+\$1750
	Price Category 9	+\$2125
	Price Category (Geiger) 9	+\$2125
	Price Category 10	+\$2556
	Price Category 11	+\$2987
	Price Category 14	+\$4488
	Price Category D	+\$678
	Price Category H	+\$1666
	Price Category I	+\$1956
	Price Category J	+\$2248
Step 5. Fire Retardancy		
NFR	not fire retardant	+\$0
FR	fire retardant	+\$350

Bevel Curved Settee

AL6C2
AL6C3



Product Information

Description

This curved settee features wood frame construction, fire retardant free foam and down topper. Legs are wood in ebony finish. Ganging hardware included.

Notes

Customer's Own Material (COM) requires the following yardage:

Configuration—Yards

2000—6

3000—5½

Customer's Own Leather (COL) requires the following square feet:

Configuration—Square Feet

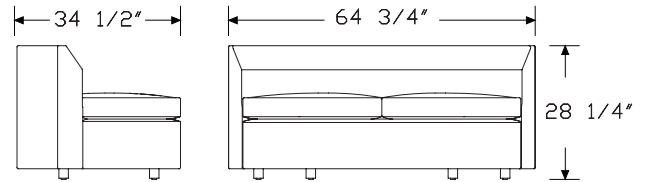
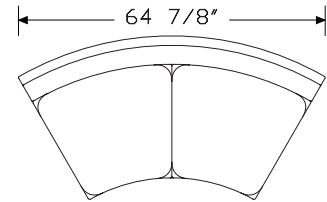
2000—105

3000—115

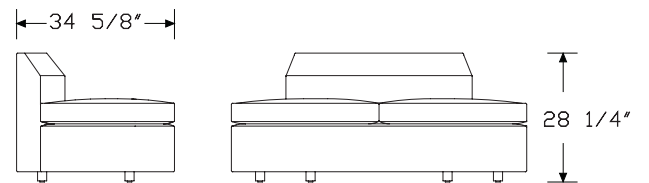
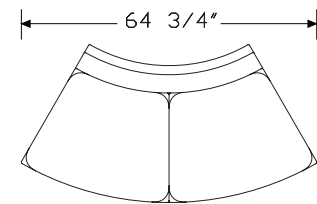
See Order Information in Appendices.

Limited textile selection available. See application chart in appendices.

Dimensions



Curved Settee - Inside Curve



Curved Settee - Outside Curve

Bevel Curved Settee *continued*

Specification Information

Step 1.

AL6C

Step 2. Configuration

2000 inside curve

3000 outside curve

Prices for Steps 1-2.

AL6C2000 \$5460

AL6C3000 \$5460

Step 3. Leg Finish

EN ebony +\$0

Step 4. Fabric

Price Category 1 +\$0

Price Category 2 +\$100

Price Category 3 +\$194

Price Category (Geiger) 3 +\$194

Price Category 4 +\$368

Price Category (Geiger) 4 +\$368

Price Category 5 +\$620

Price Category (Geiger) 5 +\$620

Price Category (Geiger) 6 +\$870

Price Category 7 +\$1166

Price Category (Geiger) 7 +\$1166

Price Category 8 +\$1582

Price Category (Geiger) 8 +\$1582

Price Category 9 +\$1922

Price Category (Geiger) 9 +\$1922

Price Category 10 +\$2312

Price Category 11 +\$2702

Price Category 14 +\$4061

Price Category D +\$595

Price Category H +\$1506

Price Category I +\$1770

Price Category J +\$2034

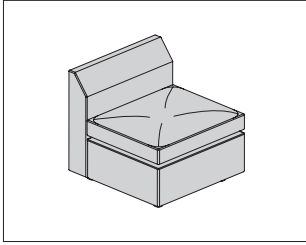
Step 5. Fire Retardancy

NFR not fire retardant +\$0

FR fire retardant +\$300

Bevel Single Seat

AL6C0



Product Information

Description

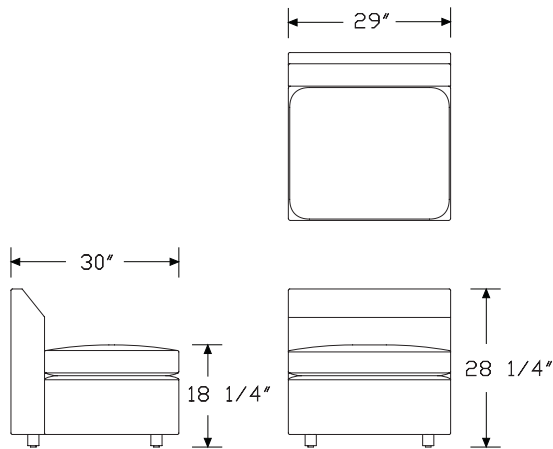
This single seat features wood frame construction, fire retardant free foam and down topper. Legs are wood in ebony finish. Ganging hardware included.

Notes

Customer's Own Material (COM) requires 4½ yards. Customer's Own Leather (COL) requires 50 square feet. See Order Information in Appendices.

Limited textile selection available. See application chart in appendices.

Dimensions



Specification Information

Step 1.

AL6C

Step 2. Configuration

0800 single seat

Prices for Steps 1-2.

AL6C0800 \$3632

Step 3. Leg Finish

EN ebony +\$0

Step 4. Fabric

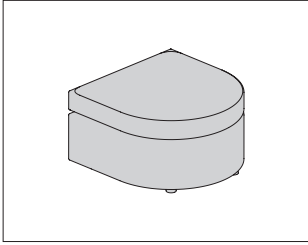
Price Category 1	+\$0
Price Category 2	+\$53
Price Category 3	+\$103
Price Category (Geiger) 3	+\$103
Price Category 4	+\$194
Price Category (Geiger) 4	+\$194
Price Category 5	+\$325
Price Category (Geiger) 5	+\$325
Price Category (Geiger) 6	+\$458
Price Category 7	+\$613
Price Category (Geiger) 7	+\$613
Price Category 8	+\$833
Price Category (Geiger) 8	+\$833
Price Category 9	+\$1013
Price Category (Geiger) 9	+\$1013
Price Category 10	+\$1217
Price Category 11	+\$1422
Price Category 14	+\$2137
Price Category D	+\$313
Price Category H	+\$793
Price Category I	+\$931
Price Category J	+\$1070

Step 5. Fire Retardancy

NFR not fire retardant	+\$0
FR fire retardant	+\$150

Bevel Rounded Ottoman

AL6C0



Product Information

Description

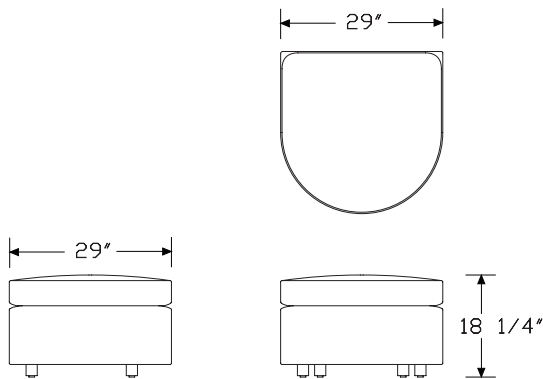
This rounded ottoman features wood frame construction, fire retardant free foam and down topper. Legs are wood in ebony finish. Connection hardware included.

Notes

Customer's Own Material (COM) requires 4 yards. Customer's Own Leather (COL) requires 48 square feet. See Order Information in Appendices.

Limited textile selection available. See application chart in appendices.

Dimensions



Specification Information

Step 1.

AL6C

Step 2. Configuration

0600 rounded ottoman

Prices for Steps 1-2.

AL6C0600 \$3360

Step 3. Leg Finish

EN ebony +\$0

Step 4. Fabric

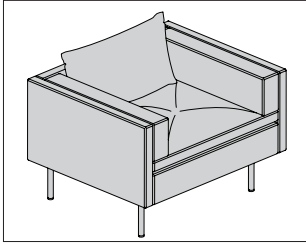
Price Category 1	+\$0
Price Category 2	+\$26
Price Category 3	+\$52
Price Category (Geiger) 3	+\$52
Price Category 4	+\$98
Price Category (Geiger) 4	+\$98
Price Category 5	+\$163
Price Category (Geiger) 5	+\$163
Price Category (Geiger) 6	+\$229
Price Category 7	+\$307
Price Category (Geiger) 7	+\$307
Price Category 8	+\$418
Price Category (Geiger) 8	+\$418
Price Category 9	+\$506
Price Category (Geiger) 9	+\$506
Price Category 10	+\$608
Price Category 11	+\$712
Price Category 14	+\$1069
Price Category D	+\$156
Price Category H	+\$397
Price Category I	+\$466
Price Category J	+\$535

Step 5. Fire Retardancy

NFR not fire retardant	+\$0
FR fire retardant	+\$100

Bolster Club Chair

AL1C1



Product Information

Description

This chair features wood frame construction, fire retardant free foam and down topper. Base finish is brushed stainless. Ganging hardware included.

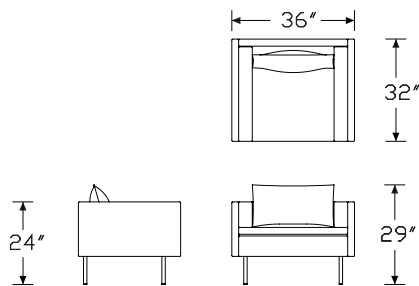
Notes

Handedness is determined from a seated position.

Customer's Own Material (COM) requires 7 yards. Customer's Own Leather (COL) requires 92 square feet. See Order Information in Appendices.

Limited textile selection available. See application chart in appendices.

Dimensions



Specification Information

Step 1.

AL1C

Step 2. Configuration

1000 club chair

Step 3. Upholstery Assignment

S single fabric

Prices for Steps 1-3.

AL1C1000 S \$4943

Step 4. Leg Finish

BRS brushed stainless +\$0

Step 5. Fabric

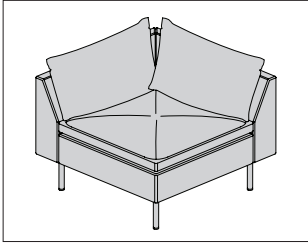
Price Category 1	+\$0
Price Category 2	+\$558
Price Category 3	+\$670
Price Category (Geiger) 3	+\$670
Price Category 4	+\$871
Price Category (Geiger) 4	+\$871
Price Category 5	+\$940
Price Category (Geiger) 5	+\$940
Price Category (Geiger) 6	+\$1128
Price Category 7	+\$1466
Price Category (Geiger) 7	+\$1466
Price Category 8	+\$1738
Price Category (Geiger) 8	+\$1738
Price Category 9	+\$2482
Price Category (Geiger) 9	+\$2482
Price Category 10	+\$2732
Price Category 11	+\$2850
Price Category 14	+\$3218
Price Category D	+\$503
Price Category E	+\$606
Price Category H	+\$1232
Price Category I	+\$1450
Price Category J	+\$1666

Step 6. Fire Retardancy

NFR not fire retardant	+\$0
FR fire retardant	+\$150

Bolster Corner

AL1C1



Product Information

Description

This corner features wood frame construction, fire retardant free foam and down topper. Base finish is brushed stainless. Ganging hardware included.

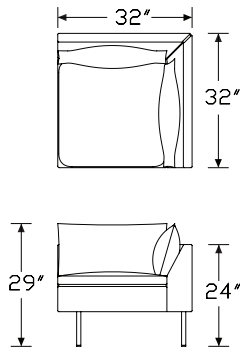
Notes

Handedness is determined from a seated position.

Customer's Own Material (COM) requires 7 yards. Customer's Own Leather (COL) requires 68 square feet. See Order Information in Appendices.

Limited textile selection available. See application chart in appendices.

Dimensions



HermanMiller Ancillary-Sofas

Specification Information

Step 1.

AL1C

Step 2. Configuration

1005 corner

Step 3. Upholstery Assignment

S single fabric

Prices for Steps 1-3.

AL1C1005 S \$4468

Step 4. Leg Finish

BRS brushed stainless +\$0

Step 5. Fabric

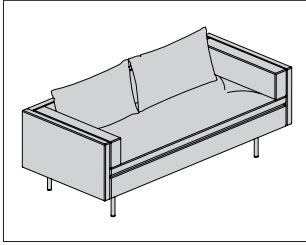
Price Category E	+\$606
Price Category 1	+\$0
Price Category 2	+\$522
Price Category 3	+\$626
Price Category (Geiger) 3	+\$626
Price Category 4	+\$814
Price Category (Geiger) 4	+\$814
Price Category 5	+\$905
Price Category (Geiger) 5	+\$905
Price Category (Geiger) 6	+\$1112
Price Category 7	+\$1412
Price Category (Geiger) 7	+\$1412
Price Category 8	+\$1978
Price Category (Geiger) 8	+\$1978
Price Category 9	+\$2430
Price Category (Geiger) 9	+\$2430
Price Category 10	+\$2472
Price Category 11	+\$2701
Price Category 14	+\$3169
Price Category D	+\$503
Price Category H	+\$1232
Price Category I	+\$1264
Price Category J	+\$1666

Step 6. Fire Retardancy

NFR not fire retardant	+\$0
FR fire retardant	+\$150

Bolster Settee

AL1C1



Product Information

Description

This settee features wood frame construction, fire retardant free foam and down topper. It is available with or without arms or in left-arm or right-arm configuration. Base finish is brushed stainless. Ganging hardware included. Shipped on end.

Notes

Handedness is determined from a seated position.

Fabric is railroaded.

Customer's Own Material (COM) requires the following yardage:

Configuration—Yards

1002—9

1002A—7

1002R—9

1002L—9

Customer's Own Leather (COL) requires the following square feet:

Configuration—Square Feet

1002—135

1002A—87

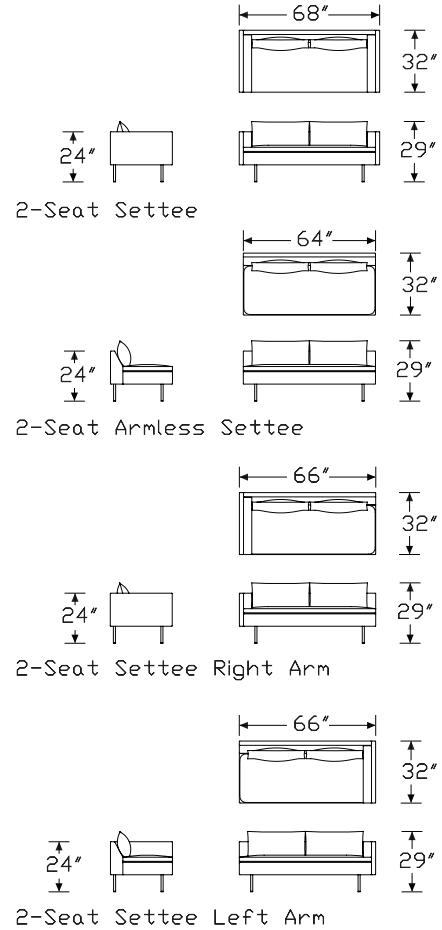
1002R—103

1002L—103

See Order Information in Appendices.

Limited textile selection available. See application chart in appendices.

Dimensions



Bolster Settee *continued*

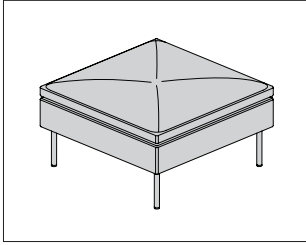
HermanMiller Ancillary-Sofas

Specification Information	
Step 1.	
AL1C	
Step 2. Configuration	
1002	2-seat settee
1002A	2-seat armless settee
1002R	2-seat settee right arm
1002L	2-seat settee left arm
Step 3. Upholstery Assignment	
S	single fabric
Prices for Steps 1-3.	
AL1C1002 S	\$6677
AL1C1002A S	\$5483
AL1C1002R S	\$6081
AL1C1002L S	\$6081
Step 4. Leg Finish	
BRS	brushed stainless +\$0

Step 5. Fabric	
Price Category 1	+\$0
Price Category 2	+\$812
Price Category 3	+\$974
Price Category (Geiger) 3	+\$974
Price Category 4	+\$1267
Price Category (Geiger) 4	+\$1267
Price Category 5	+\$1414
Price Category (Geiger) 5	+\$1414
Price Category (Geiger) 6	+\$1697
Price Category 7	+\$2204
Price Category (Geiger) 7	+\$2204
Price Category 8	+\$2719
Price Category (Geiger) 8	+\$2719
Price Category 9	+\$4700
Price Category (Geiger) 9	+\$4722
Price Category 10	+\$4944
Price Category 11	+\$5232
Price Category 14	+\$5315
Price Category D	+\$706
Price Category E	+\$865
Price Category H	+\$1762
Price Category I	+\$2070
Price Category J	+\$2378
Step 6. Fire Retardancy	
NFR	not fire retardant +\$0
FR	fire retardant +\$300

Bolster Ottoman

AL1C0



Product Information

Description

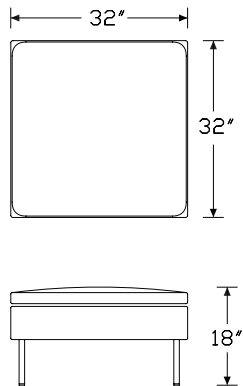
This ottoman features wood frame construction, fire retardant free foam and down topper. Base finish is brushed stainless. Ganging hardware included.

Notes

Customer's Own Material (COM) requires 4 yards. Customer's Own Leather (COL) requires 35 square feet. See Order Information in Appendices.

Limited textile selection available. See application chart in appendices.

Dimensions



Specification Information

Step 1.

AL1C

Step 2. Configuration

0400 ottoman

Prices for Steps 1-2.

AL1C0400 \$2943

Step 3. Leg Finish

BRS brushed stainless +\$0

Step 4. Fabric

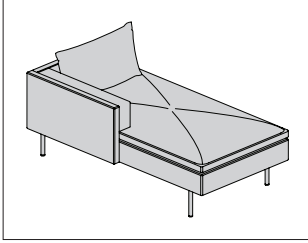
Price Category 1	+\$0
Price Category 2	+\$329
Price Category 3	+\$395
Price Category (Geiger) 3	+\$395
Price Category 4	+\$514
Price Category (Geiger) 4	+\$498
Price Category 5	+\$547
Price Category (Geiger) 5	+\$530
Price Category (Geiger) 6	+\$636
Price Category 7	+\$853
Price Category (Geiger) 7	+\$853
Price Category 8	+\$1022
Price Category (Geiger) 8	+\$1022
Price Category 9	+\$1272
Price Category (Geiger) 9	+\$1272
Price Category 10	+\$1360
Price Category 11	+\$1412
Price Category 14	+\$1841
Price Category D	+\$287
Price Category E	+\$347
Price Category H	+\$706
Price Category I	+\$829
Price Category J	+\$953

Step 5. Fire Retardancy

NFR not fire retardant	+\$0
FR fire retardant	+\$100

Bolster Chaise

AL1C1



Product Information

Description

This chaise features wood frame construction, fire retardant free foam and down topper. It is available in left-arm or right-arm configuration. Base finish is brushed stainless. Ganging hardware included.

Notes

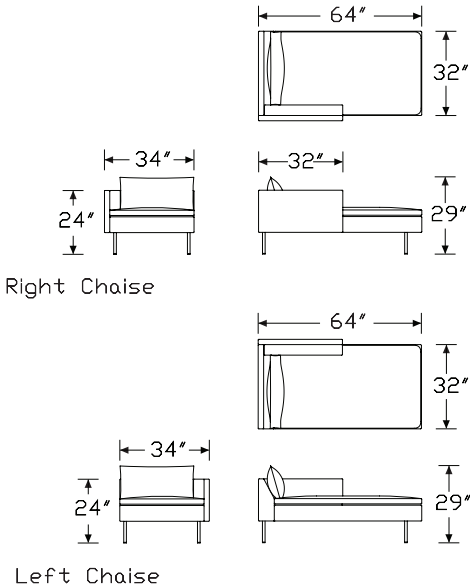
Handedness is determined from a seated position.

Fabric is railroaded.

Customer's Own Material (COM) requires 8 yards. Customer's Own Leather (COL) requires 97 square feet. See Order Information in Appendices.

Limited textile selection available. See application chart in appendices.

Dimensions



Specification Information

Step 1.

AL1C

Step 2. Direction

1004L left chaise

1004R right chaise

Step 3. Upholstery Assignment

S single fabric

Prices for Steps 1-3.

AL1C1004L S \$5723

AL1C1004R S \$5723

Step 4. Leg Finish

BRS brushed stainless +\$0

Step 5. Fabric

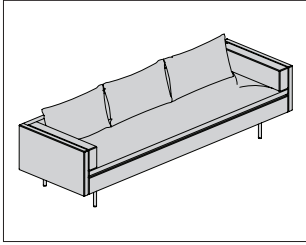
Price Category 1	+\$0
Price Category 2	+\$680
Price Category 3	+\$816
Price Category (Geiger) 3	+\$816
Price Category 4	+\$1061
Price Category (Geiger) 4	+\$1061
Price Category 5	+\$1171
Price Category (Geiger) 5	+\$1171
Price Category (Geiger) 6	+\$1405
Price Category 7	+\$1826
Price Category (Geiger) 7	+\$1826
Price Category 8	+\$2192
Price Category (Geiger) 8	+\$2192
Price Category 9	+\$3415
Price Category (Geiger) 9	+\$3415
Price Category 10	+\$3461
Price Category 11	+\$3798
Price Category 14	+\$4084
Price Category D	+\$646
Price Category E	+\$779
Price Category H	+\$1585
Price Category I	+\$1864
Price Category J	+\$2140

Step 6. Fire Retardancy

NFR not fire retardant	+\$0
FR fire retardant	+\$250

Bolster Sofa

AL1C1



Product Information

Description

This sofa features wood frame construction, fire retardant free foam and down topper. It is available with or without arms or in left-arm or right-arm configuration. Base finish is brushed stainless. Ganging hardware included.

Notes

Handedness is determined from a seated position.

Fabric is railroaded.

Customer's Own Material (COM) requires the following yardage:

Configuration—Yards

1003—12

1003A—9

1003R—11

1003L—11

Customer's Own Leather (COL) requires the following square feet:

Configuration—Square Feet

1003—172

1003A—124

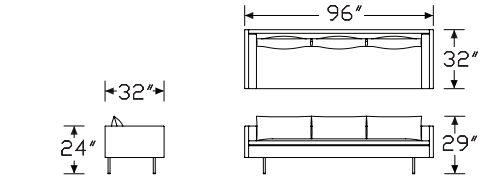
1003R—148

1003L—148

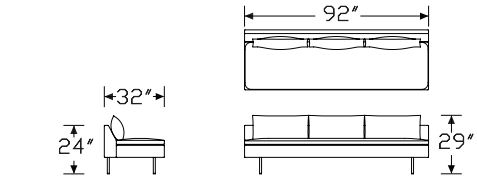
See Order Information in Appendices.

Limited textile selection available. See application chart in appendices.

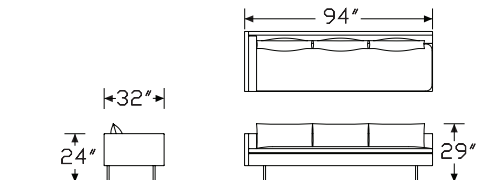
Dimensions



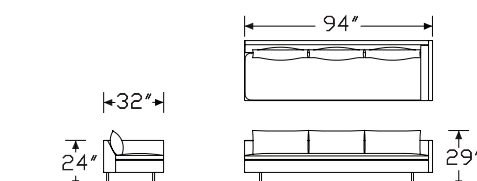
3-Seat Sofa



3-Seat Armless Sofa



3-Seat Sofa Right Arm



3-Seat Sofa Left Arm

Bolster Sofa *continued*

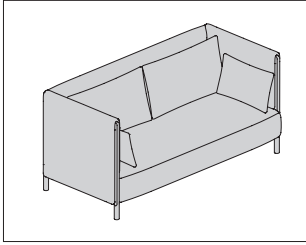
HermanMiller Ancillary-Sofas

Specification Information	
Step 1.	
AL1C	
Step 2. Configuration	
1003	3-seat sofa
1003A	3-seat armless sofa
1003R	3-seat sofa right arm
1003L	3-seat sofa left arm
Step 3. Upholstery Assignment	
S	single fabric
Prices for Steps 1-3.	
AL1C1003 S	\$7763
AL1C1003A S	\$6573
AL1C1003R S	\$7170
AL1C1003L S	\$7170
Step 4. Leg Finish	
BRS	brushed stainless +\$0

Step 5. Fabric	
Price Category 1	+\$0
Price Category 2	+\$954
Price Category 3	+\$1144
Price Category (Geiger) 3	+\$1144
Price Category 4	+\$1488
Price Category (Geiger) 4	+\$1488
Price Category 5	+\$1663
Price Category (Geiger) 5	+\$1663
Price Category (Geiger) 6	+\$2068
Price Category 7	+\$2593
Price Category (Geiger) 7	+\$2593
Price Category 8	+\$4438
Price Category (Geiger) 8	+\$4438
Price Category 9	+\$5946
Price Category (Geiger) 9	+\$5946
Price Category 10	+\$6180
Price Category 11	+\$6624
Price Category 14	+\$6798
Price Category D	+\$860
Price Category E	+\$1039
Price Category H	+\$2114
Price Category I	+\$2484
Price Category J	+\$2855
Step 6. Fire Retardancy	
NFR	not fire retardant +\$0
FR	fire retardant +\$350

ColourForm Sofa, Not Quilted,
Single Textile

AJN10



Product Information

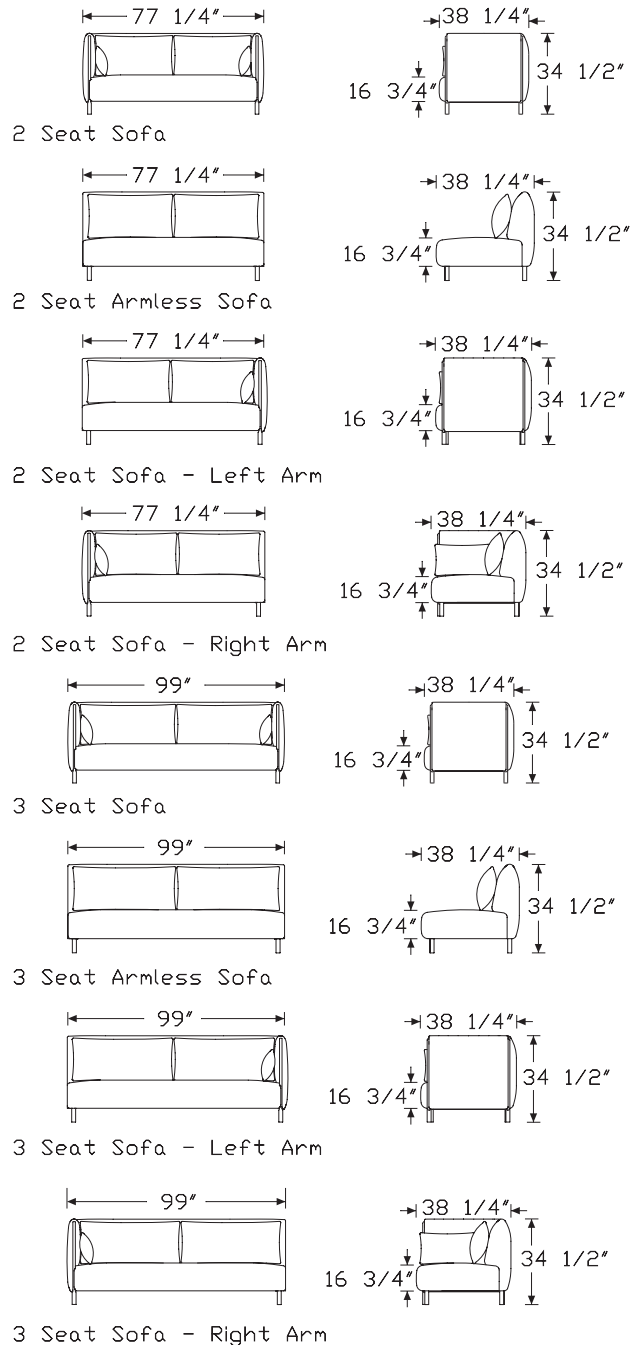
Description

This sofa has wooden frame construction with shaped foam and cover layers folded over the arm rest. Pillows are fiber filled for comfort. A plastic upholstery strip is stitched into the textile allowing the fabric to be stretched and pushed into place over the frame. Sofa is available with or without arms or in left-arm or right-arm configuration.

Notes

For modularity, order ganging kit (AJNG) separately.
Handedness is determined from seated position.
Limited textile selection available. See application chart in appendices.

Dimensions



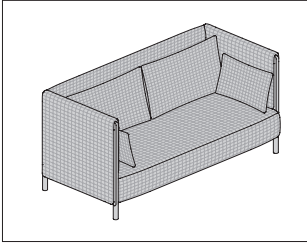
HermanMiller Ancillary Sofas

ColourForm Sofa, Not Quilted, Single Textile *continued*

Specification Information	
Step 1.	
AJN	A
Step 2. Configuration	
1002	2-seat sofa A
1002A	2-seat armless sofa A
1002R	2-seat sofa right arm A
1002L	2-seat sofa left arm A
1003	3-seat sofa A
1003A	3-seat armless sofa A
1003R	3-seat sofa right arm A
1003L	3-seat sofa left arm A
Step 3. Upholstery Type	
N	not quilted, single textile A
Prices for Steps 1-3.	
AJN1002 N	\$6836
AJN1002A N	\$4392
AJN1002R N	\$5655
AJN1002L N	\$5655
AJN1003 N	\$7369
AJN1003A N	\$5114
AJN1003R N	\$6323
AJN1003L N	\$6323
Step 4. Outside/Inside Fabric	
Price Category (Geiger) D	+\$1590
Price Category 10	+\$2346
Price Category 2	+\$112
Price Category (Geiger) 3	+\$238
Price Category 5	+\$890
Price Category (Geiger) 7	+\$1986
Price Category (Geiger) G	+\$1841
Price Category (Geiger) H	+\$2563
Price Category (Geiger) I	+\$2803
Price Category (Geiger) J	+\$3996

Step 5. Leg Finish		
EN	ebony A	+\$0
OU	walnut A	+\$0
A2	white ash A	+\$0
SBA	soft blue ash A	+\$0
SGA	soft green ash A	+\$0
66A	recograin frosty ash A	+\$0
Step 6. Fire Retardancy		
NFR	not fire retardant A	+\$0
FR	fire retardant A	+\$900

ColourForm Sofa, Quilted, Single Textile AJN10



Product Information

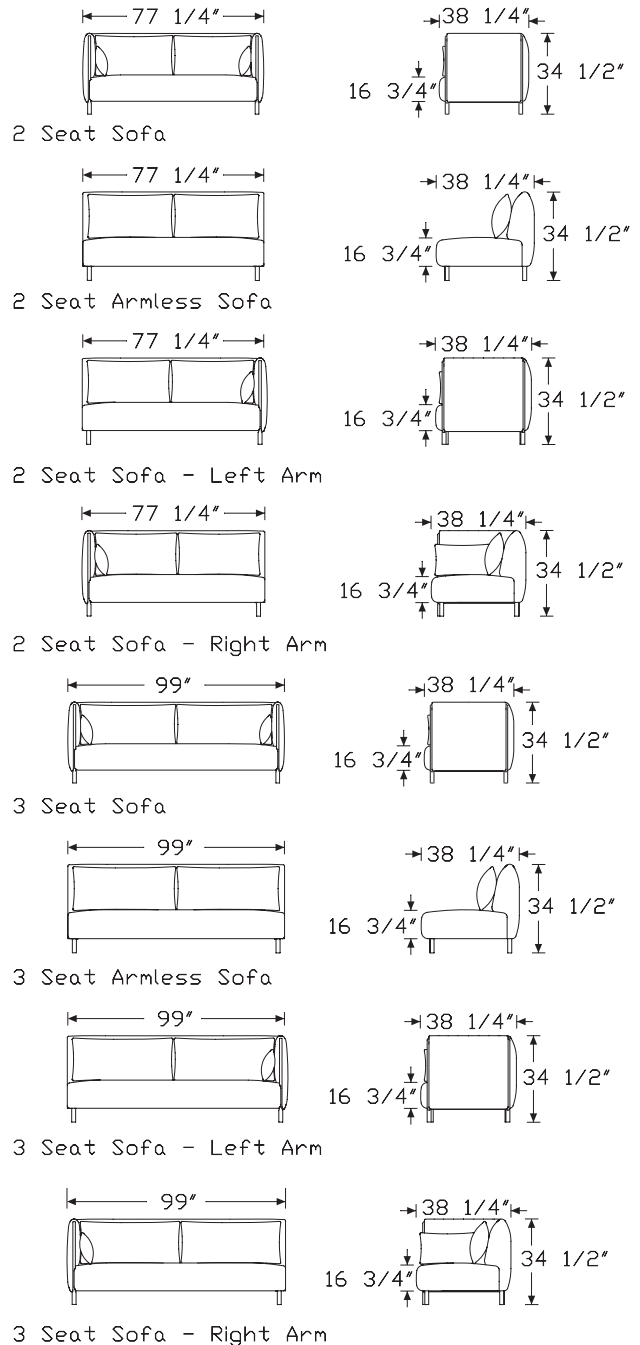
Description

This sofa has wooden frame construction with shaped foam and cover layers folded over the arm rest. Pillows are fiber filled for comfort. A plastic upholstery strip is stitched into the textile allowing the fabric to be stretched and pushed into place over the frame. Sofa is available with or without arms or in left-arm or right-arm configuration.

Notes

For modularity, order ganging kit (AJNG) separately.
 Handedness is determined from seated position.
 Limited textile selection available. See application chart in appendices.

Dimensions



ColourForm Sofa, Quilted, Single

Textile *continued*

Specification Information

Step 1.

AJN

Step 2. Configuration

1002 2-seat sofa

1002A 2-seat armless sofa

1002R 2-seat sofa right arm

1002L 2-seat sofa left arm

1003 3-seat sofa

1003A 3-seat armless sofa

1003R 3-seat sofa right arm

1003L 3-seat sofa left arm

Step 3. Upholstery Type

Q1 quilted, single textile (outside quilted, inside not quilted, same color, same fabric family)

Prices for Steps 1-3.

AJN1002 Q1 \$6519

AJN1002A Q1 \$4188

AJN1002R Q1 \$5394

AJN1002L Q1 \$5394

AJN1003 Q1 \$7028

AJN1003A Q1 \$4878

AJN1003R Q1 \$6030

AJN1003L Q1 \$6030

Step 4. Outside/Inside Fabric

Price Category 10 +\$2348

Price Category (Geiger) 3 +\$1564

Price Category (Geiger) G +\$3167

Step 5. Leg Finish

A2 white ash +\$0

EN ebony +\$0

OU walnut +\$0

SBA soft blue ash +\$0

SGA soft green ash +\$0

66A recograin frosty ash +\$0

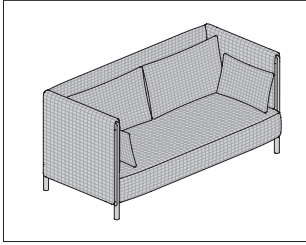
Step 6. Fire Retardancy

NFR not fire retardant +\$0

FR fire retardant +\$900

ColourForm Sofa, Quilted, Two Textiles

AJN10



Product Information

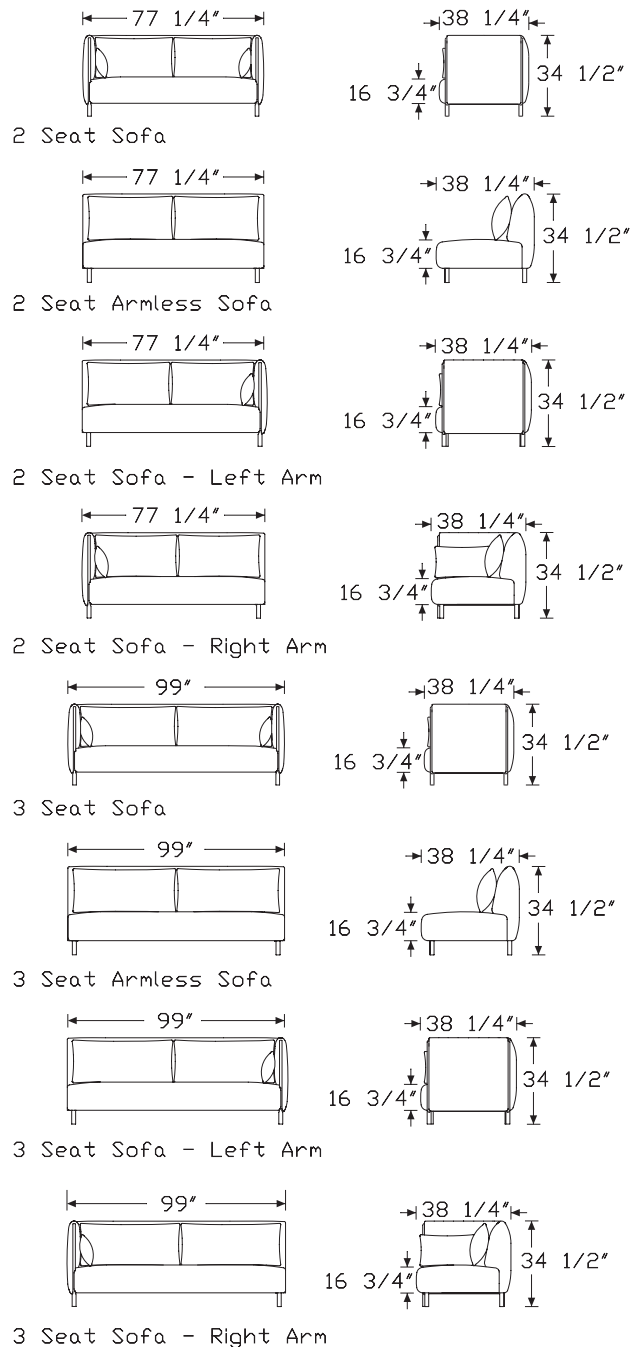
Description

This sofa has wooden frame construction with shaped foam and cover layers folded over the arm rest. Pillows are fiber filled for comfort. A plastic upholstery strip is stitched into the textile allowing the fabric to be stretched and pushed into place over the frame. Sofa is available with arms or in left-arm or right-arm configuration.

Notes

For modularity, order ganging kit (AJNG) separately.
 Handedness is determined from seated position.
 Limited textile selection available. See application chart in appendices.

Dimensions



HermanMiller Ancillary Sofas

ColourForm Sofa, Quilted, Two Textiles *continued*

Specification Information

Step 1.

AJN

Step 2. Configuration

1002 2-seat sofa

1002R 2-seat sofa right arm

1002L 2-seat sofa left arm

1003 3-seat sofa

1003R 3-seat sofa right arm

1003L 3-seat sofa left arm

Step 3. Upholstery Type

Q2 quilted, two textiles (outside quilted, inside quilted)

Prices for Steps 1-3.

AJN1002 Q2 \$6519

AJN1002R Q2 \$5394

AJN1002L Q2 \$5394

AJN1003 Q2 \$7028

AJN1003R Q2 \$6030

AJN1003L Q2 \$6030

Step 4. Outside Fabric

Price Category (Geiger) G +\$3167

Step 5. Inside Fabric

Price Category (Geiger) G +\$0

Step 6. Leg Finish

A2 white ash +\$0

EN ebony +\$0

OU walnut +\$0

SBA soft blue ash +\$0

SGA soft green ash +\$0

66A recograin frosty ash +\$0

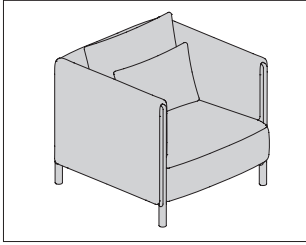
Step 7. Fire Retardancy

NFR not fire retardant +\$0

FR fire retardant +\$900

ColourForm Club Chair, Not Quilted, Single Textile

AJN10



Product Information

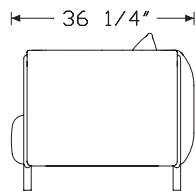
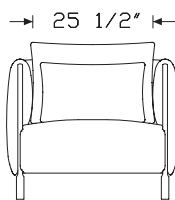
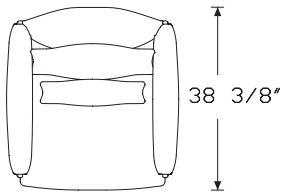
Description

This club chair has wooden frame construction with shaped foam and cover layers folded over the arm rest. Pillows are fiber filled for comfort. A plastic upholstery strip is stitched into the textile allowing the fabric to be stretched and pushed into place over the frame.

Notes

Handedness is determined from seated position.
 Limited textile selection available. See application chart in appendices.

Dimensions



Specification Information

Step 1.

AJN1000 [A]

Step 2. Upholstery Type

N not quilted, single textile [A]

Prices for Steps 1-2.

AJN1000 N \$5179

Step 3. Outside/Inside Fabric

Price Category (Geiger) D	+\$905
Price Category 10	+\$1566
Price Category 2	+\$68
Price Category (Geiger) 3	+\$133
Price Category 5	+\$504
Price Category (Geiger) 7	+\$1130
Price Category (Geiger) G	+\$1048
Price Category (Geiger) H	+\$1458
Price Category (Geiger) I	+\$1594
Price Category (Geiger) J	+\$2274

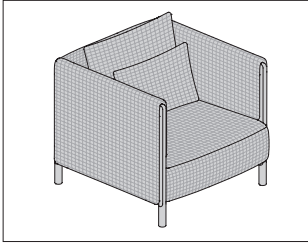
Step 4. Leg Finish

EN ebony [A]	+\$0
OU walnut [A]	+\$0
A2 white ash [A]	+\$0
SBA soft blue ash [A]	+\$0
SGA soft green ash [A]	+\$0
66A recograin frosty ash [A]	+\$0

Step 5. Fire Retardancy

NFR not fire retardant [A]	+\$0
FR fire retardant [A]	+\$495

ColourForm Club Chair, Quilted, Single Textile AJN10



Product Information

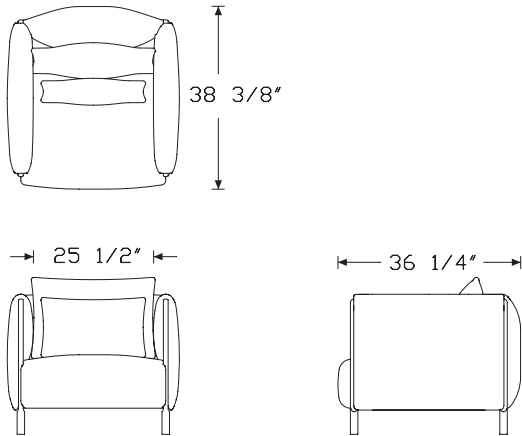
Description

This club chair has wooden frame construction with shaped foam and cover layers folded over the arm rest. Pillows are fiber filled for comfort. A plastic upholstery strip is stitched into the textile allowing the fabric to be stretched and pushed into place over the frame.

Notes

Handedness is determined from seated position.
 Limited textile selection available. See application chart in appendices.

Dimensions



HermanMiller Ancillary-Sofas

Specification Information

Step 1.

AJN1000

Step 2. Upholstery Type

Q1 quilted, single textile (outside quilted, inside not quilted, same color, same fabric family)

Prices for Steps 1-2.

AJN1000 Q1 \$4939

Step 3. Outside/Inside Fabric

Price Category 10 +\$1566
 Price Category (Geiger) 3 +\$887
 Price Category (Geiger) G +\$1801

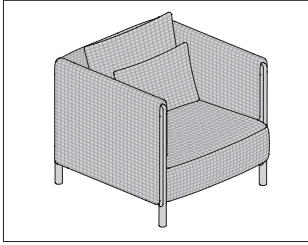
Step 4. Leg Finish

A2 white ash +\$0
EN ebony +\$0
OU walnut +\$0
SBA soft blue ash +\$0
SGA soft green ash +\$0
66A recograin frosty ash +\$0

Step 5. Fire Retardancy

NFR not fire retardant +\$0
FR fire retardant +\$495

ColourForm Club Chair, Quilted, Two Textiles AJN10



Product Information

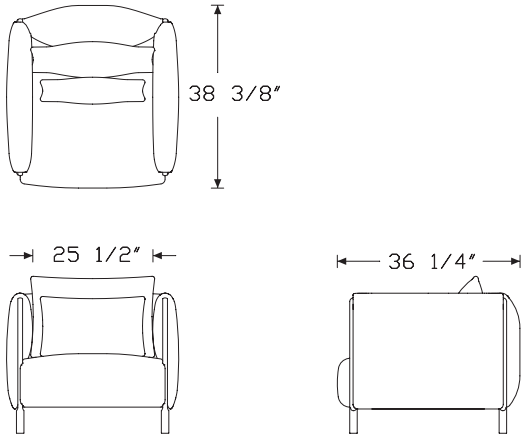
Description

This club chair has wooden frame construction with shaped foam and cover layers folded over the arm rest. Pillows are fiber filled for comfort. A plastic upholstery strip is stitched into the textile allowing the fabric to be stretched and pushed into place over the frame.

Notes

Handedness is determined from seated position.
 Limited textile selection available. See application chart in appendices.

Dimensions



Specification Information

Step 1.

AJN1000 A

Step 2. Upholstery Type

Q2 quilted, two textiles (outside quilted, inside quilted) A

Prices for Steps 1-2.

AJN1000 Q2 \$5179

Step 3. Outside Fabric

Price Category (Geiger) G +\$1801

Step 4. Inside Fabric

Price Category (Geiger) G +\$0

Step 5. Leg Finish

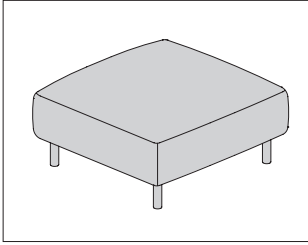
- A2** white ash A +\$0
- EN** ebony A +\$0
- OU** walnut A +\$0
- SBA** soft blue ash A +\$0
- SGA** soft green ash A +\$0
- 66A** recograin frosty ash A +\$0

Step 6. Fire Retardancy

- NFR** not fire retardant A +\$0
- FR** fire retardant A +\$495

ColourForm Ottoman, Not Quilted, Single Textile

AJN04

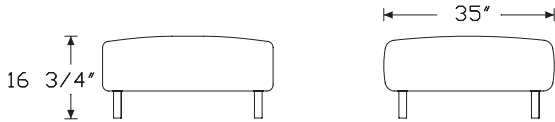


Product Information

Description

This ottoman has wooden frame construction with shaped foam and cover layers folded over the arm rest. Pillows are fiber filled for comfort. A plastic upholstery strip is stitched into the textile allowing the fabric to be stretched and pushed into place over the frame.

Dimensions



HermanMiller Ancillary-Sofas

Specification Information

Step 1.

AJN0400 A

Step 2. Upholstery Type

N not quilted, single textile A

Prices for Steps 1-2.

AJN0400 N \$1588

Step 3. Ottoman Fabric

Price Category (Geiger) D	+\$192
Price Category 10	+\$362
Price Category 2	+\$19
Price Category (Geiger) 3	+\$31
Price Category 5	+\$106
Price Category (Geiger) 7	+\$240
Price Category (Geiger) G	+\$223
Price Category (Geiger) H	+\$311
Price Category (Geiger) I	+\$340
Price Category (Geiger) J	+\$482

Step 4. Leg Finish

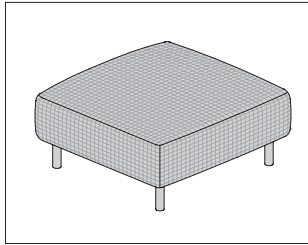
EN ebony <input type="checkbox"/> A	+\$0
OU walnut <input type="checkbox"/> A	+\$0
A2 white ash <input type="checkbox"/> A	+\$0
SBA soft blue ash <input type="checkbox"/> A	+\$0
SGA soft green ash <input type="checkbox"/> A	+\$0
66A recograin frosty ash <input type="checkbox"/> A	+\$0

Step 5. Fire Retardancy

NFR not fire retardant <input type="checkbox"/> A	+\$0
FR fire retardant <input type="checkbox"/> A	+\$150

ColourForm Ottoman, Quilted,
Single Textile

AJN04

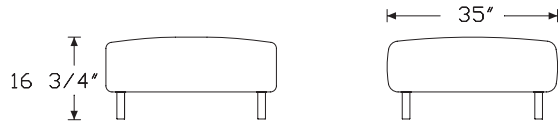


Product Information

Description

This ottoman has wooden frame construction with shaped foam and cover layers folded over the arm rest. Pillows are fiber filled for comfort. A plastic upholstery strip is stitched into the textile allowing the fabric to be stretched and pushed into place over the frame.

Dimensions



Specification Information

Step 1.

AJN0400 [A]

Step 2. Upholstery Type

Q1 quilted, single textile (outside quilted, inside not quilted, same color, same fabric family) [A]

Prices for Steps 1-2.

AJN0400 Q1 \$1588

Step 3. Ottoman Fabric

Price Category 10 +\$362
 Price Category (Geiger) 3 +\$186
 Price Category (Geiger) G +\$384

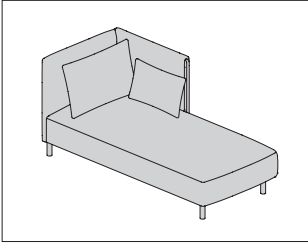
Step 4. Leg Finish

EN ebony [A] +\$0
OU walnut [A] +\$0
A2 white ash [A] +\$0
SBA soft blue ash [A] +\$0
SGA soft green ash [A] +\$0
66A recograin frosty ash [A] +\$0

Step 5. Fire Retardancy

NFR not fire retardant [A] +\$0
FR fire retardant [A] +\$150

ColourForm Chaise, Not Quilted, AJN10
Single Textile



Product Information

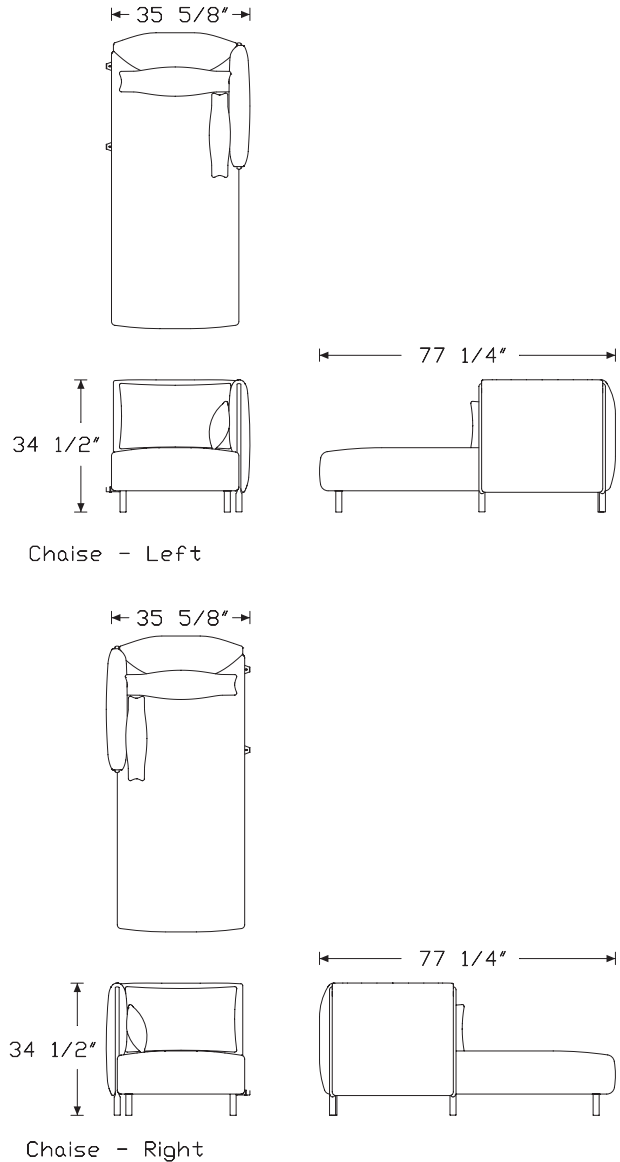
Description

This chaise has wooden frame construction with shaped foam and cover layers folded over the arm rest. Pillows are fiber filled for comfort. A plastic upholstery strip is stitched into the textile allowing the fabric to be stretched and pushed into place over the frame.

Notes

For modularity, order ganging kit (AJNG) separately.
Handedness is determined from seated position.
Limited textile selection available. See application chart in appendices.

Dimensions

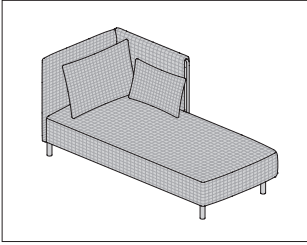


ColourForm Chaise, Not Quilted, Single Textile *continued*

Specification Information	
Step 1.	
AJN	<input type="checkbox"/>
Step 2. Configuration	
1004R	right chaise <input type="checkbox"/>
1004L	left chaise <input type="checkbox"/>
Step 3. Upholstery Type	
N	not quilted, single textile <input type="checkbox"/>
Prices for Steps 1-3.	
AJN1004R N	\$5378
AJN1004L N	\$5378
Step 4. Outside/Inside Fabric	
Price Category (Geiger) D	+\$1042
Price Category 10	+\$1682
Price Category 2	+\$74
Price Category (Geiger) 3	+\$155
Price Category 5	+\$1024
Price Category (Geiger) 7	+\$1301
Price Category (Geiger) G	+\$1207
Price Category (Geiger) H	+\$1679
Price Category (Geiger) I	+\$1836
Price Category (Geiger) J	+\$2618
Step 5. Leg Finish	
EN	ebony <input type="checkbox"/> +\$0
OU	walnut <input type="checkbox"/> +\$0
A2	white ash <input type="checkbox"/> +\$0
SBA	soft blue ash <input type="checkbox"/> +\$0
SGA	soft green ash <input type="checkbox"/> +\$0
66A	recograin frosty ash <input type="checkbox"/> +\$0
Step 6. Fire Retardancy	
NFR	not fire retardant <input type="checkbox"/> +\$0
FR	fire retardant <input type="checkbox"/> +\$570

ColourForm Chaise, Quilted,
Single Textile

AJN10



Product Information

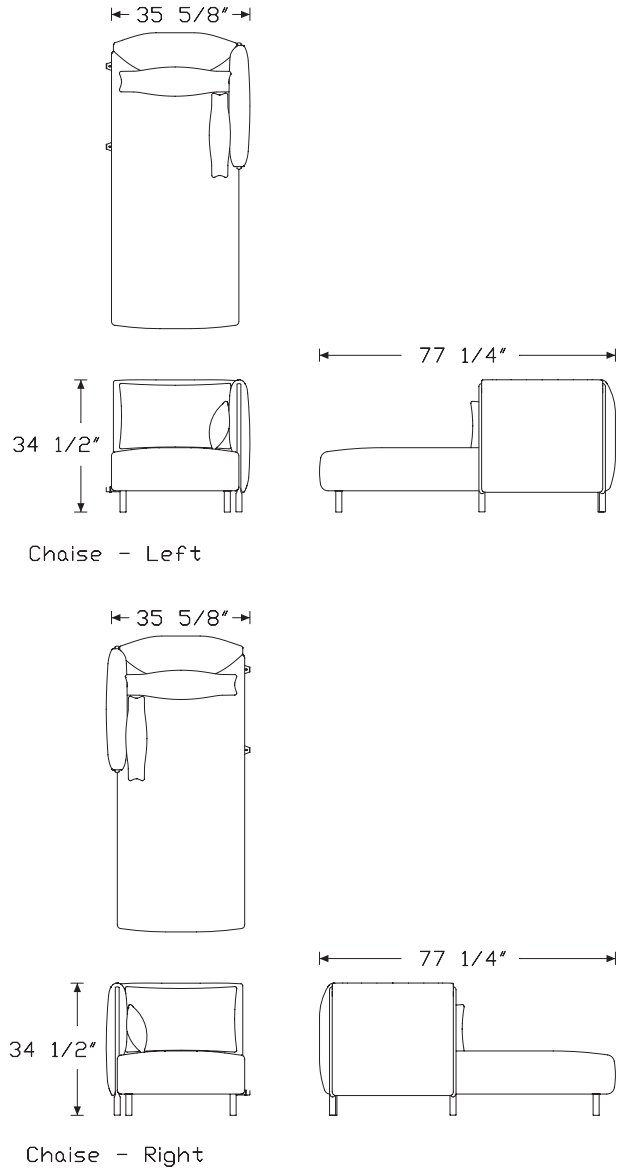
Description

This chaise has wooden frame construction with shaped foam and cover layers folded over the arm rest. Pillows are fiber filled for comfort. A plastic upholstery strip is stitched into the textile allowing the fabric to be stretched and pushed into place over the frame.

Notes

For modularity, order ganging kit (AJNG) separately.
Handedness is determined from seated position.
Limited textile selection available. See application chart in appendices.

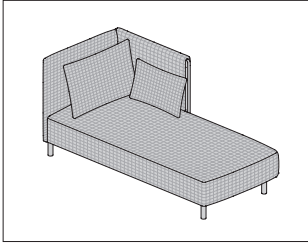
Dimensions



ColourForm Chaise, Quilted, Single Textile *continued*

Specification Information	
Step 1.	
AJN	<input type="checkbox"/>
Step 2. Configuration	
1004L	left chaise <input type="checkbox"/>
1004R	right chaise <input type="checkbox"/>
Step 3. Upholstery Type	
Q1	quilted, single textile (outside quilted, inside not quilted, same color, same fabric family) <input type="checkbox"/>
Prices for Steps 1-3.	
AJN1004L Q1	\$5036
AJN1004R Q1	\$5036
Step 4. Outside/Inside Fabric	
Price Category 10	+\$1682
Price Category (Geiger) 3	+\$1024
Price Category (Geiger) G	+\$2076
Step 5. Leg Finish	
A2	white ash <input type="checkbox"/> +\$0
EN	ebony <input type="checkbox"/> +\$0
OU	walnut <input type="checkbox"/> +\$0
SBA	soft blue ash <input type="checkbox"/> +\$0
SGA	soft green ash <input type="checkbox"/> +\$0
66A	recograin frosty ash <input type="checkbox"/> +\$0
Step 6. Fire Retardancy	
NFR	not fire retardant <input type="checkbox"/> +\$0
FR	fire retardant <input type="checkbox"/> +\$570

ColourForm Chaise, Quilted, Two Textiles AJN10



Product Information

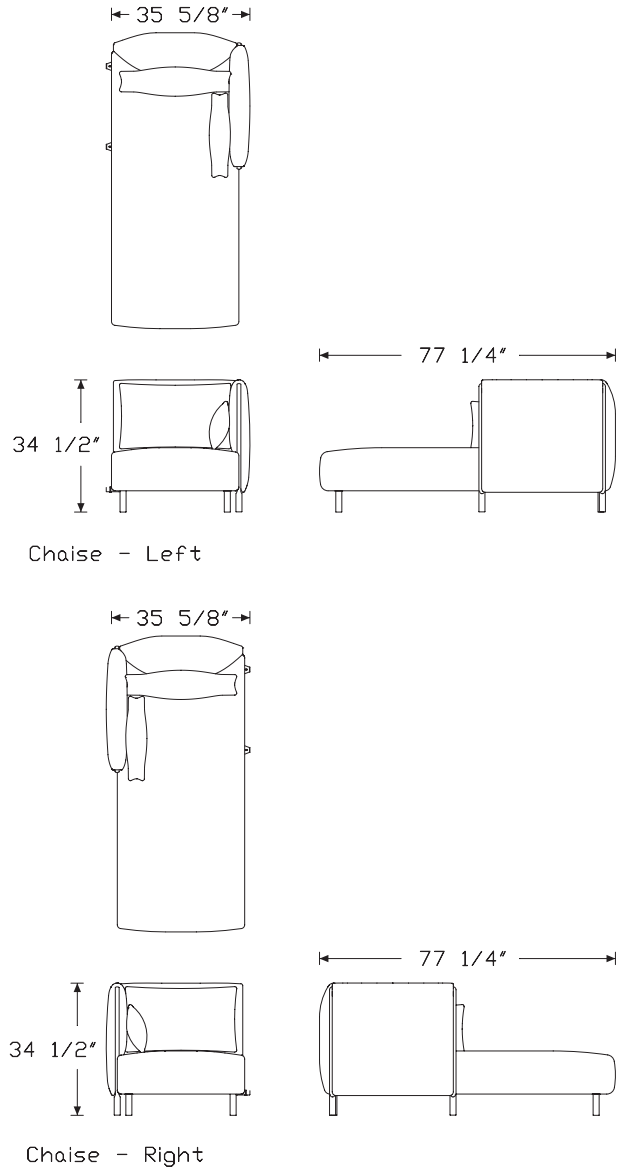
Description

This chaise has wooden frame construction with shaped foam and cover layers folded over the arm rest. Pillows are fiber filled for comfort. A plastic upholstery strip is stitched into the textile allowing the fabric to be stretched and pushed into place over the frame.

Notes

For modularity, order ganging kit (AJNG) separately.
 Handedness is determined from seated position.
 Limited textile selection available. See application chart in appendices.

Dimensions

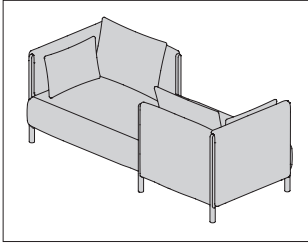


ColourForm Chaise, Quilted, Two Textiles *continued*

Specification Information	
Step 1.	
AJN	<input type="checkbox"/>
Step 2. Configuration	
1004R	right chaise <input type="checkbox"/>
1004L	left chaise <input type="checkbox"/>
Step 3. Upholstery Type	
Q2	quilted, two textiles (outside quilted, inside quilted) <input type="checkbox"/>
Prices for Steps 1-3.	
AJN1004R Q2	\$5036
AJN1004L Q2	\$5036
Step 4. Outside Fabric	
Price Category (Geiger) G	+\$2076
Step 5. Inside Fabric	
Price Category (Geiger) G	+\$0
Step 6. Leg Finish	
A2	white ash <input type="checkbox"/> +\$0
EN	ebony <input type="checkbox"/> +\$0
OU	walnut <input type="checkbox"/> +\$0
SBA	soft blue ash <input type="checkbox"/> +\$0
SGA	soft green ash <input type="checkbox"/> +\$0
66A	recograin frosty ash <input type="checkbox"/> +\$0
Step 7. Fire Retardancy	
NFR	not fire retardant <input type="checkbox"/> +\$0
FR	fire retardant <input type="checkbox"/> +\$570

ColourForm Tete-a-Tete, Not Quilted, Single Textile

AJN10



Product Information

Description

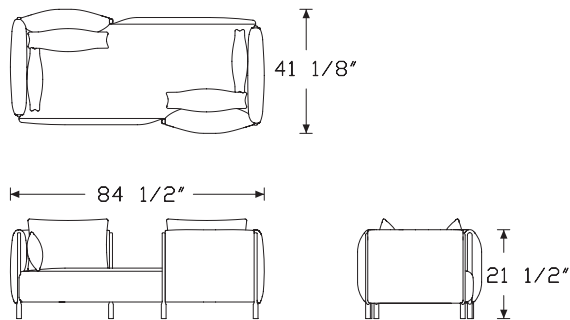
This Tete-a-Tete has wooden frame construction with shaped foam and cover layers folded over the arm rest. Pillows are fiber filled for comfort. A plastic upholstery strip is stitched into the textile allowing the fabric to be stretched and pushed into place over the frame.

Notes

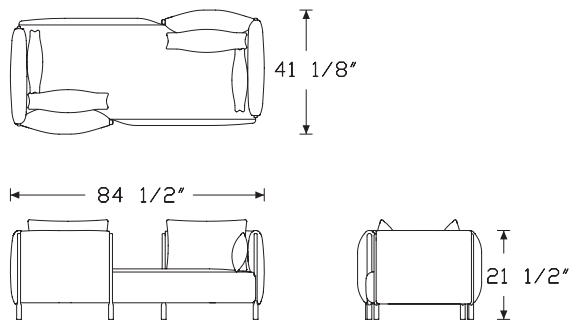
Handedness is determined from seated position.

Limited textile selection available. See application chart in appendices.

Dimensions



Tete-a-tete Left



Tete-a-tete Right

Specification Information

Step 1.

AJN A

Step 2. Configuration

1006R tete-a-tete right A

1006L tete-a-tete left A

Step 3. Upholstery Type

N not quilted, single textile A

Prices for Steps 1-3.

AJN1006R N \$7134

AJN1006L N \$7134

Step 4. Outside/Inside Fabric

Price Category (Geiger) D	+\$1480
Price Category 10	+\$2526
Price Category 2	+\$104
Price Category (Geiger) 3	+\$220
Price Category 5	+\$826
Price Category (Geiger) 7	+\$1804
Price Category (Geiger) G	+\$1726
Price Category (Geiger) H	+\$2399
Price Category (Geiger) I	+\$2609
Price Category (Geiger) J	+\$3733

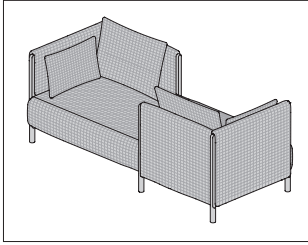
Step 5. Leg Finish

EN ebony <input type="checkbox"/> A	+\$0
OU walnut <input type="checkbox"/> A	+\$0
A2 white ash <input type="checkbox"/> A	+\$0
SBA soft blue ash <input type="checkbox"/> A	+\$0
SGA soft green ash <input type="checkbox"/> A	+\$0
66A recograin frosty ash <input type="checkbox"/> A	+\$0

Step 6. Fire Retardancy

NFR not fire retardant <input type="checkbox"/> A	+\$0
FR fire retardant <input type="checkbox"/> A	+\$810

ColourForm Tete-a-Tete, Quilted, Single Textile AJN10



Product Information

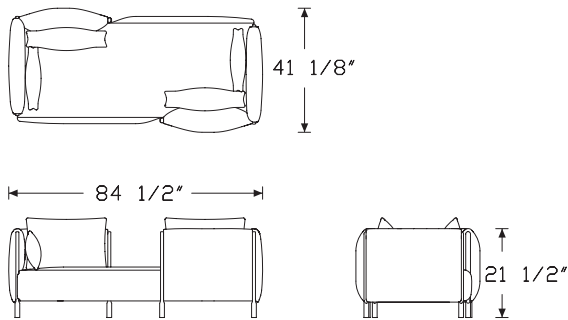
Description

This Tete-a-Tete has wooden frame construction with shaped foam and cover layers folded over the arm rest. Pillows are fiber filled for comfort. A plastic upholstery strip is stitched into the textile allowing the fabric to be stretched and pushed into place over the frame.

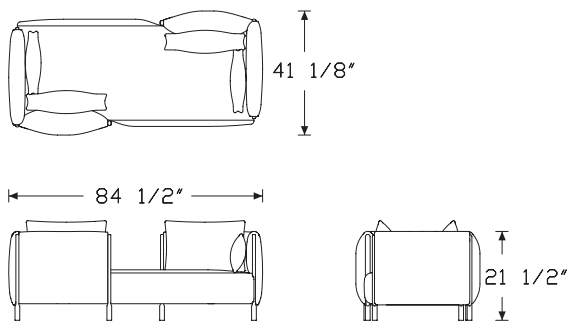
Notes

Handedness is determined from seated position.
 Limited textile selection available. See application chart in appendices.

Dimensions



Tete-a-tete Left



Tete-a-tete Right

Specification Information

Step 1.

AJN

Step 2. Configuration

1006R tete-a-tete right

1006L tete-a-tete left

Step 3. Upholstery Type

Q1 quilted, single textile (outside quilted, inside not quilted, same color, same fabric family)

Prices for Steps 1-3.

AJN1006R Q1 \$6804

AJN1006L Q1 \$6804

Step 4. Outside/Inside Fabric

Price Category 10 +\$2526

Price Category (Geiger) 3 +\$1454

Price Category (Geiger) G +\$2948

Step 5. Leg Finish

A2 white ash +\$0

EN ebony +\$0

OU walnut +\$0

SBA soft blue ash +\$0

SGA soft green ash +\$0

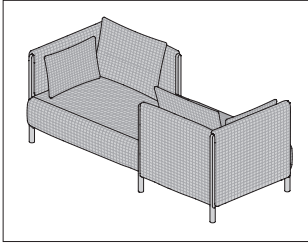
66A recograin frosty ash +\$0

Step 6. Fire Retardancy

NFR not fire retardant +\$0

FR fire retardant +\$810

ColourForm Tete-a-Tete, Quilted, Two Textiles AJN10



Product Information

Description

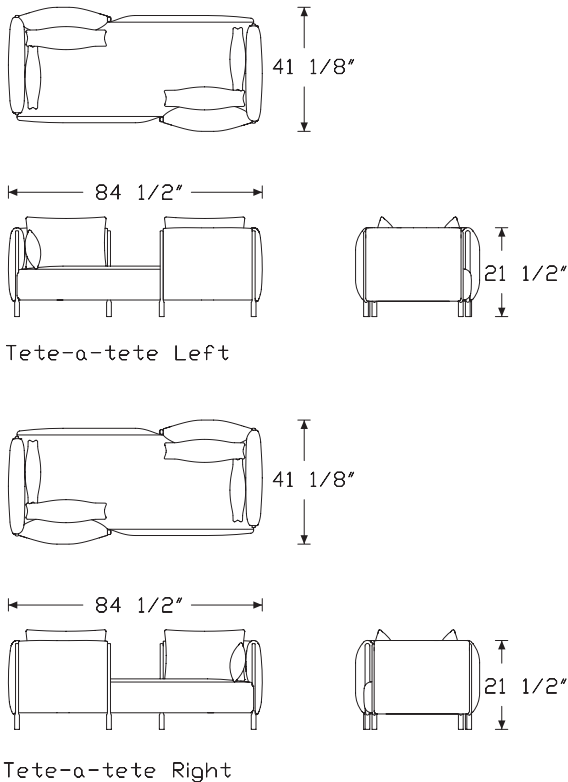
This Tete-a-Tete has wooden frame construction with shaped foam and cover layers folded over the arm rest. Pillows are fiber filled for comfort. A plastic upholstery strip is stitched into the textile allowing the fabric to be stretched and pushed into place over the frame.

Notes

Handedness is determined from seated position.

Limited textile selection available. See application chart in appendices.

Dimensions



Specification Information

Step 1.

AJN

Step 2. Configuration

1006R tete-a-tete right

1006L tete-a-tete left

Step 3. Upholstery Type

Q2 quilted, two textiles (outside quilted, inside quilted)

Prices for Steps 1-3.

AJN1006R Q2 \$6804

AJN1006L Q2 \$6804

Step 4. Outside Fabric

Price Category (Geiger) G +\$2948

Step 5. Inside Fabric

Price Category (Geiger) G +\$0

Step 6. Leg Finish

A2 white ash +\$0

EN ebony +\$0

OU walnut +\$0

SBA soft blue ash +\$0

SGA soft green ash +\$0

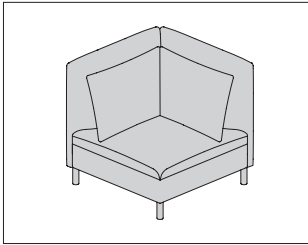
66A recograin frosty ash +\$0

Step 7. Fire Retardancy

NFR not fire retardant +\$0

FR fire retardant +\$810

ColourForm Corner, Not Quilted, Single Textile AJN10



Product Information

Description

This corner seat has wooden frame construction with shaped foam and cover layers folded over the arm rest. Pillows are fiber filled for comfort. A plastic upholstery strip is stitched into the textile allowing the fabric to be stretched and pushed into place over the frame.

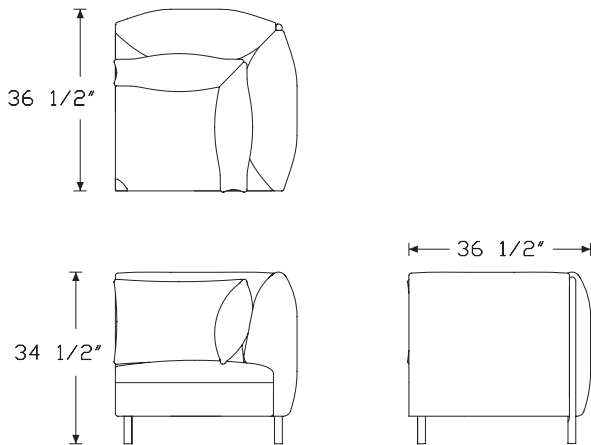
Notes

For modularity, order ganging kit (AJNG) separately.

Handedness is determined from seated position.

Limited textile selection available. See application chart in appendices.

Dimensions



Specification Information

Step 1.

AJN1005 [A]

Step 2. Upholstery Type

N not quilted, single textile [A]

Prices for Steps 1-2.

AJN1005 N \$4175

Step 3. Outside/Inside Fabric

Price Category (Geiger) D	+\$932
Price Category 10	+\$1578
Price Category 2	+\$68
Price Category (Geiger) 3	+\$140
Price Category 5	+\$522
Price Category (Geiger) 7	+\$1164
Price Category (Geiger) G	+\$1080
Price Category (Geiger) H	+\$1502
Price Category (Geiger) I	+\$1643
Price Category (Geiger) J	+\$2137

Step 4. Leg Finish

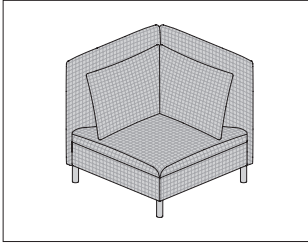
EN ebony [A]	+\$0
OU walnut [A]	+\$0
A2 white ash [A]	+\$0
SBA soft blue ash [A]	+\$0
SGA soft green ash [A]	+\$0
66A recograin frosty ash [A]	+\$0

Step 5. Fire Retardancy

NFR not fire retardant [A]	+\$0
FR fire retardant [A]	+\$510

ColourForm Corner, Quilted,
Single Textile

AJN10



Product Information

Description

This corner seat has wooden frame construction with shaped foam and cover layers folded over the arm rest. Pillows are fiber filled for comfort. A plastic upholstery strip is stitched into the textile allowing the fabric to be stretched and pushed into place over the frame.

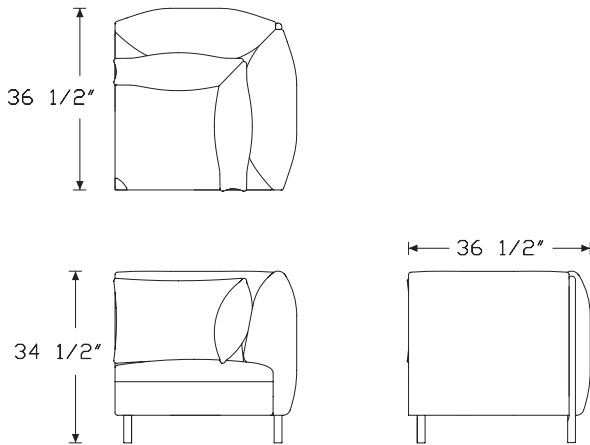
Notes

For modularity, order ganging kit (AJNG) separately.

Handedness is determined from seated position.

Limited textile selection available. See application chart in appendices.

Dimensions



HermanMiller Ancillary-Sofas

Specification Information

Step 1.

AJN1005

Step 2. Upholstery Type

Q1 quilted, single textile (outside quilted, inside not quilted, same color, same fabric family)

Prices for Steps 1-2.

AJN1005 Q1 \$3981

Step 3. Outside/Inside Fabric

Price Category 10 +\$1578
 Price Category (Geiger) 3 +\$918
 Price Category (Geiger) G +\$1858

Step 4. Leg Finish

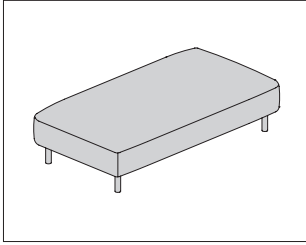
A2 white ash +\$0
EN ebony +\$0
OU walnut +\$0
SBA soft blue ash +\$0
SGA soft green ash +\$0
66A recograin frosty ash +\$0

Step 5. Fire Retardancy

NFR not fire retardant +\$0
FR fire retardant +\$510

ColourForm Bench, Not Quilted,
Single Textile

AJN2B
AJN3B

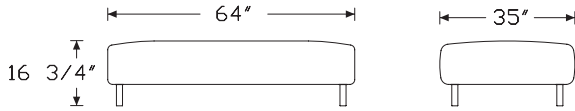


Product Information

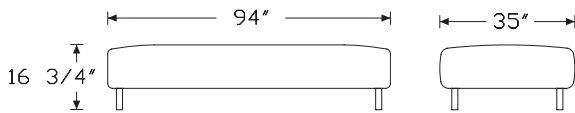
Description

This bench has wooden frame construction with shaped foam and cover layers folded over the arm rest. Pillows are fiber filled for comfort. A plastic upholstery strip is stitched into the textile allowing the fabric to be stretched and pushed into place over the frame.

Dimensions



2 Seat Bench



3 Seat Bench

Specification Information

Step 1.

AJN A

Step 2. Configuration

2B 2 seat bench A

3B 3 seat bench A

Step 3. Upholstery Type

N not quilted, single textile A

Prices for Steps 1-3.

AJN2B N \$3053

AJN3B N \$3078

Step 4. Bench Fabric

Price Category 2	+\$44
Price Category 5	+\$322
Price Category (Geiger) 3	+\$88
Price Category (Geiger) 7	+\$719
Price Category (Geiger) G	+\$667
Price Category (Geiger) H	+\$928
Price Category (Geiger) I	+\$1014
Price Category (Geiger) J	+\$1447
Price Category (Geiger) D	+\$576
Price Category 10	+\$959

Step 5. Leg Finish

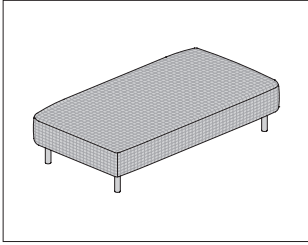
A2 white ash <input type="checkbox"/> A	+\$0
EN ebony <input type="checkbox"/> A	+\$0
OU walnut <input type="checkbox"/> A	+\$0
SBA soft blue ash <input type="checkbox"/> A	+\$0
SGA soft green ash <input type="checkbox"/> A	+\$0
66A recograin frosty ash <input type="checkbox"/> A	+\$0

Step 6. Fire Retardancy

NFR not fire retardant <input type="checkbox"/> A	+\$0
FR fire retardant <input type="checkbox"/> A	+\$360

ColourForm Bench, Quilted,
Single Textile

AJN2B
AJN3B

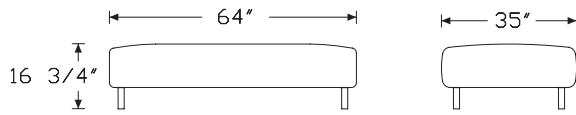


Product Information

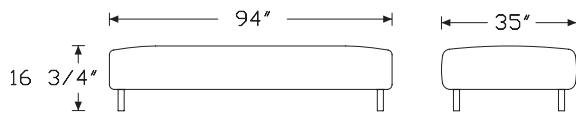
Description

This bench has wooden frame construction with shaped foam and cover layers folded over the arm rest. Pillows are fiber filled for comfort. A plastic upholstery strip is stitched into the textile allowing the fabric to be stretched and pushed into place over the frame.

Dimensions



2 Seat Bench



3 Seat Bench

HermanMiller Ancillary—Sofas

Specification Information

Step 1.

AJN A

Step 2. Configuration

2B 2 seat bench A

3B 3 seat bench A

Step 3. Upholstery Type

Q1 quilted, single textile (outside quilted, inside not quilted, same color, same fabric family) A

Prices for Steps 1-3.

AJN2B Q1 \$3053

AJN3B Q1 \$3078

Step 4. Bench Fabric

Price Category 10 +\$958

Price Category (Geiger) 3 +\$566

Price Category (Geiger) G +\$1146

Step 5. Leg Finish

A2 white ash A +\$0

EN ebony A +\$0

OU walnut A +\$0

SBA soft blue ash A +\$0

SGA soft green ash A +\$0

66A recograin frosty ash A +\$0

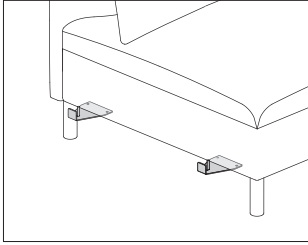
Step 6. Fire Retardancy

NFR not fire retardant A +\$0

FR fire retardant A +\$360

ColourForm Ganging Kit

AJNG

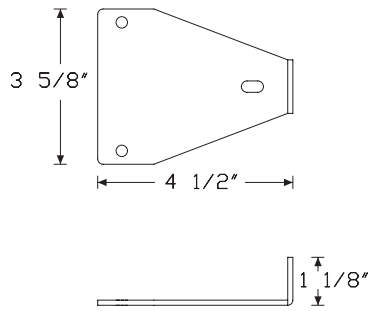


Product Information

Description

This ganging kit is required for modularity as noted on product pages.

Dimensions



Specification Information

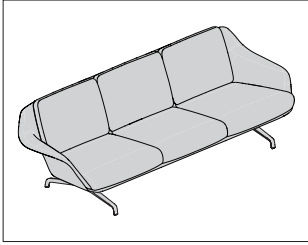
Step 1.

AJNG A

\$107

Striad Low Back Sofa

CCL70



Product Information

Description

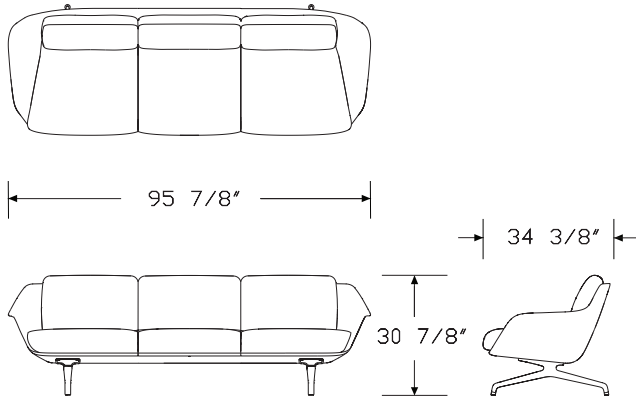
This low back sofa has a choice of 4-leg or wire base. Outer shell provides rigidity and support. Sofa comes with 3 back cushions and 3 seat cushions (attached). Cushions are constructed with dual-density foam.

Notes

Customer's Own Material (COM) requires 16 yards (7 for shell, 9 for cushions). See Order Information in appendices.

Dimensions

HermanMiller Ancillary-Sofas



Specification Information

Step 1.

CCL70 A

Step 2. Configuration

32 3 seat sofa A

3L 3 seat sofa - left arm A

3R 3 seat sofa - right arm A

Step 3. Base Type

4 four leg A

W wire A

Prices for Steps 1-3.

		4	W
CCL70	32	\$7960	8168
	3L	\$7721	8019
	3R	\$7721	8019

Step 4. Base Finish

For four leg (4)

91	white <input type="checkbox"/> A	+\$0
BK	black <input type="checkbox"/> A	+\$0
PA	polished aluminum <input type="checkbox"/> A	+\$0

For wire (W)

47	trivalent chrome <input type="checkbox"/> A	+\$0
91	white <input type="checkbox"/> A	+\$0
BK	black <input type="checkbox"/> A	+\$0

Striad Low Back Sofa *continued*

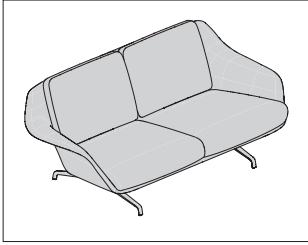
Step 5. Shell Upholstery	
Price Category 1	+\$0
Price Category 2	+\$72
Price Category 3	+\$139
Price Category (Geiger) 3	+\$139
Price Category 4	+\$264
Price Category (Geiger) 4	+\$264
Price Category 5	+\$444
Price Category (Geiger) 5	+\$444
Price Category (Geiger) 6	+\$624
Price Category 7	+\$838
Price Category (Geiger) 7	+\$838
Price Category 8	+\$1102
Price Category (Geiger) 8	+\$1102
Price Category 9	+\$1381
Price Category 10	+\$1662
Price Category (Geiger) 10	+\$1662
Price Category 11	+\$1942
Price Category (Geiger) 11	+\$1942
Price Category B	+\$242
Price Category (Geiger) C	+\$332
Price Category D	+\$420
Price Category G	+\$851
Price Category H	+\$1033
Price Category I	+\$1214
Price Category J	+\$1396
Price Category T	+\$3451

Step 6. Cushion Upholstery	
Price Category 10	+\$2096
Price Category 1	+\$0
Price Category 2	+\$90
Price Category 3	+\$175
Price Category (Geiger) 3	+\$175
Price Category 4	+\$335
Price Category (Geiger) 4	+\$335
Price Category 5	+\$560
Price Category (Geiger) 5	+\$560
Price Category (Geiger) 6	+\$787
Price Category 7	+\$1057
Price Category (Geiger) 7	+\$1057
Price Category 8	+\$1390
Price Category (Geiger) 8	+\$1390
Price Category 9	+\$1744
Price Category (Geiger) 10	+\$2096
Price Category 11	+\$2450
Price Category (Geiger) 11	+\$2450
Price Category B	+\$307
Price Category (Geiger) C	+\$419
Price Category D	+\$530
Price Category G	+\$1073
Price Category H	+\$1304
Price Category I	+\$1534
Price Category J	+\$1762

Step 7. Fire Retardancy	
NFR not fire retardant <input type="checkbox"/> A	+\$0

Striad Low Back Settee

CCL80



Product Information

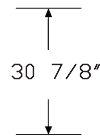
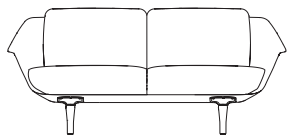
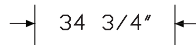
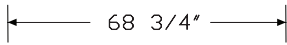
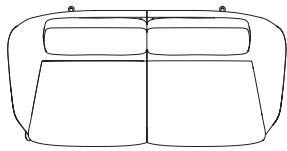
Description

This low back settee has a choice of 4-leg or wire base. Outer shell provides rigidity and support. Settee comes with 2 back cushions and 2 seat cushions (attached). Cushions are constructed with dual-density foam.

Notes

Customer's Own Material (COM) requires 11 yards (5 for shell, 6 for cushions). See Order Information in appendices.

Dimensions



HermanMiller Ancillary--Sofas

Specification Information

Step 1.

CCL80 A

Step 2. Configuration

22 2 seat settee A

2L 2 seat settee - left arm A

2R 2 seat settee - right arm A

Step 3. Base Type

4 four leg A

W wire A

Prices for Steps 1-3.

		4	W
CCL80	22	\$7277	7587
	2L	\$7041	7292
	2R	\$7041	7292

Step 4. Base Finish

For four leg (4)

91	white <input type="checkbox"/> A	+\$0
BK	black <input type="checkbox"/> A	+\$0
PA	polished aluminum <input type="checkbox"/> A	+\$0

For wire (W)

47	trivalent chrome <input type="checkbox"/> A	+\$0
91	white <input type="checkbox"/> A	+\$0
BK	black <input type="checkbox"/> A	+\$0

Striad Low Back Settee *continued*

Step 5. Shell Upholstery	
Price Category 1	+\$0
Price Category 2	+\$53
Price Category 3	+\$104
Price Category (Geiger) 3	+\$104
Price Category 4	+\$197
Price Category (Geiger) 4	+\$197
Price Category 5	+\$330
Price Category (Geiger) 5	+\$330
Price Category (Geiger) 6	+\$463
Price Category 7	+\$622
Price Category (Geiger) 7	+\$622
Price Category 8	+\$817
Price Category (Geiger) 8	+\$817
Price Category 9	+\$1025
Price Category 10	+\$1232
Price Category (Geiger) 10	+\$1232
Price Category 11	+\$1440
Price Category (Geiger) 11	+\$1440
Price Category B	+\$181
Price Category (Geiger) C	+\$247
Price Category D	+\$312
Price Category G	+\$631
Price Category H	+\$767
Price Category I	+\$901
Price Category J	+\$1036
Price Category T	+\$2556

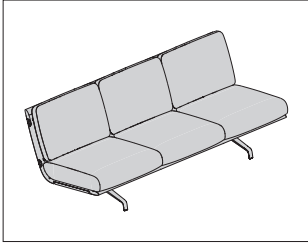
Step 6. Cushion Upholstery	
Price Category 10	+\$1356
Price Category 1	+\$0
Price Category 2	+\$59
Price Category 3	+\$114
Price Category (Geiger) 3	+\$114
Price Category 4	+\$216
Price Category (Geiger) 4	+\$216
Price Category 5	+\$364
Price Category (Geiger) 5	+\$364
Price Category (Geiger) 6	+\$510
Price Category 7	+\$684
Price Category (Geiger) 7	+\$684
Price Category 8	+\$899
Price Category (Geiger) 8	+\$899
Price Category 9	+\$1127
Price Category (Geiger) 10	+\$1356
Price Category 11	+\$1584
Price Category (Geiger) 11	+\$1584
Price Category B	+\$199
Price Category (Geiger) C	+\$272
Price Category D	+\$343
Price Category G	+\$694
Price Category H	+\$844
Price Category I	+\$991
Price Category J	+\$1139

Step 7. Fire Retardancy	
NFR not fire retardant <input type="checkbox"/> A	+\$0

HermanMiller Ancillary Sofas

Striad Low Back Armless

CCL90



Product Information

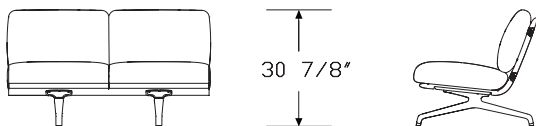
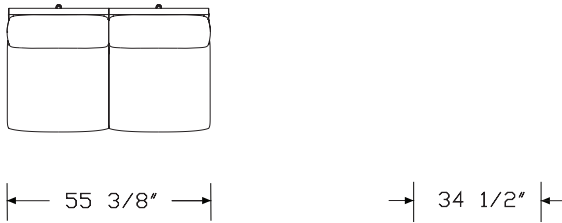
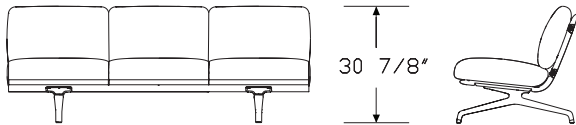
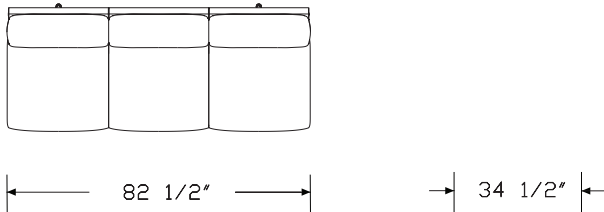
Description

This low back armless unit has a choice of 4-leg or wire base. Outer shell provides rigidity and support. Unit comes with attached cushions. Cushions are constructed with dual-density foam.

Notes

Armless units have hardware at each end to connect to units with arms or to other armless/corner/curve units.
Customer's Own Material (COM) requires 16 yards (7 for shell, 9 for cushions). See Order Information in appendices.

Dimensions



HermanMiller Ancillary--Sofas

Specification Information

Step 1.

CCL90 A

Step 2. Configuration

22 2 seat A

33 3 seat armless A

Step 3. Base Type

4 four leg A

W wire A

Prices for Steps 1-3.

		4	W
CCL90	22	\$7246	7504
	33	\$7946	8253

Step 4. Base Finish

For four leg (4)

91	white <input type="checkbox"/> A	+\$0
BK	black <input type="checkbox"/> A	+\$0
PA	polished aluminum <input type="checkbox"/> A	+\$0

For wire (W)

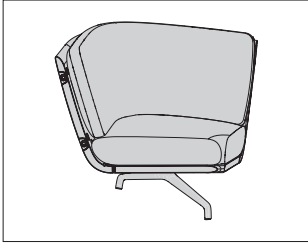
47	trivalent chrome <input type="checkbox"/> A	+\$0
91	white <input type="checkbox"/> A	+\$0
BK	black <input type="checkbox"/> A	+\$0

Striad Low Back Armless *continued*

Step 5. Shell Upholstery	
Price Category 1	+\$0
Price Category 2	+\$72
Price Category 3	+\$139
Price Category (Geiger) 3	+\$139
Price Category 4	+\$264
Price Category (Geiger) 4	+\$264
Price Category 5	+\$444
Price Category (Geiger) 5	+\$444
Price Category (Geiger) 6	+\$624
Price Category 7	+\$838
Price Category (Geiger) 7	+\$838
Price Category 8	+\$1102
Price Category (Geiger) 8	+\$1102
Price Category 9	+\$1381
Price Category 10	+\$1662
Price Category (Geiger) 10	+\$1662
Price Category 11	+\$1942
Price Category (Geiger) 11	+\$1942
Price Category B	+\$242
Price Category (Geiger) C	+\$332
Price Category D	+\$420
Price Category G	+\$851
Price Category H	+\$1033
Price Category I	+\$1214
Price Category J	+\$1396
Price Category T	+\$3578

Step 6. Cushion Upholstery	
Price Category 10	+\$2096
Price Category 1	+\$0
Price Category 2	+\$90
Price Category 3	+\$175
Price Category (Geiger) 3	+\$175
Price Category 4	+\$335
Price Category (Geiger) 4	+\$335
Price Category 5	+\$560
Price Category (Geiger) 5	+\$560
Price Category (Geiger) 6	+\$787
Price Category 7	+\$1057
Price Category (Geiger) 7	+\$1057
Price Category 8	+\$1390
Price Category (Geiger) 8	+\$1390
Price Category 9	+\$1744
Price Category (Geiger) 10	+\$2096
Price Category 11	+\$2450
Price Category (Geiger) 11	+\$2450
Price Category B	+\$307
Price Category (Geiger) C	+\$419
Price Category D	+\$530
Price Category G	+\$1073
Price Category H	+\$1304
Price Category I	+\$1536
Price Category J	+\$1762

Step 7. Fire Retardancy	
NFR not fire retardant <input type="checkbox"/> A	+\$0



Product Information

Description

This low back corner unit has a choice of 4-leg or wire base. Outer shell provides rigidity and support. Unit comes with attached cushions. Cushions are constructed with dual-density foam.

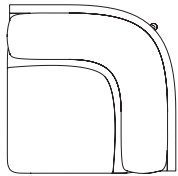
Notes

Corner units have hardware at each end to connect to units with arms or to other armless/corner/curve units.

Customer's Own Material (COM) requires 8 yards (4 for shell, 4 for cushions). See Order Information in appendices.

Dimensions

HermanMiller Ancillary--Sofas

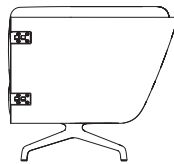


← 33 3/4" →

← 33 3/4" →



↑ 30 7/8" ↓



Specification Information

Step 1.

CCL92 A

Step 2. Configuration

11 corner A

Step 3. Base Type

4 four leg A

W wire A

Prices for Steps 1-3.

	4	W
CCL92 11	\$4455	4679

Step 4. Base Finish

For four leg (4)

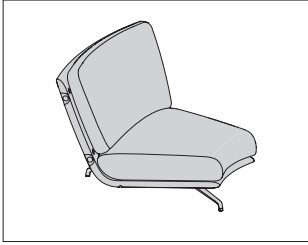
91 white <input type="checkbox"/> A	+\$0
BK black <input type="checkbox"/> A	+\$0
PA polished aluminum <input type="checkbox"/> A	+\$0

For wire (W)

47 trivalent chrome <input type="checkbox"/> A	+\$0
91 white <input type="checkbox"/> A	+\$0
BK black <input type="checkbox"/> A	+\$0

Step 5. Shell Upholstery	
Price Category 1	+\$0
Price Category 2	+\$43
Price Category 3	+\$84
Price Category (Geiger) 3	+\$84
Price Category 4	+\$158
Price Category (Geiger) 4	+\$158
Price Category 5	+\$264
Price Category (Geiger) 5	+\$264
Price Category (Geiger) 6	+\$371
Price Category 7	+\$498
Price Category (Geiger) 7	+\$498
Price Category 8	+\$654
Price Category (Geiger) 8	+\$654
Price Category 9	+\$821
Price Category 10	+\$986
Price Category (Geiger) 10	+\$986
Price Category 11	+\$1152
Price Category (Geiger) 11	+\$1152
Price Category B	+\$145
Price Category (Geiger) C	+\$198
Price Category D	+\$250
Price Category G	+\$505
Price Category H	+\$614
Price Category I	+\$722
Price Category J	+\$829
Price Category T	+\$2045

Step 6. Cushion Upholstery	
Price Category 10	+\$986
Price Category 1	+\$0
Price Category 2	+\$43
Price Category 3	+\$84
Price Category (Geiger) 3	+\$84
Price Category 4	+\$158
Price Category (Geiger) 4	+\$158
Price Category 5	+\$264
Price Category (Geiger) 5	+\$264
Price Category (Geiger) 6	+\$371
Price Category 7	+\$498
Price Category (Geiger) 7	+\$498
Price Category 8	+\$654
Price Category (Geiger) 8	+\$654
Price Category 9	+\$821
Price Category (Geiger) 10	+\$986
Price Category 11	+\$1152
Price Category (Geiger) 11	+\$1152
Price Category B	+\$145
Price Category (Geiger) C	+\$198
Price Category D	+\$250
Price Category G	+\$505
Price Category H	+\$614
Price Category I	+\$722
Price Category J	+\$829
Step 7. Fire Retardancy	
NFR not fire retardant <input type="checkbox"/> A	+\$0



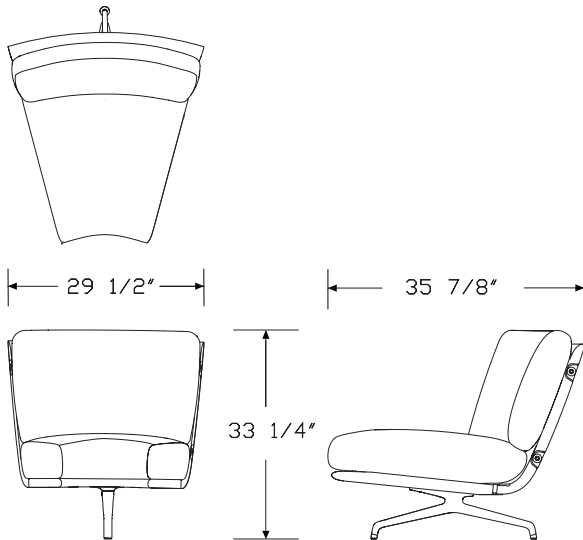
Product Information

Description
 This low back curve unit has a choice of 4-leg or wire base. Outer shell provides rigidity and support. Unit comes with attached cushions. Cushions are constructed with dual-density foam.

Notes
 Curve units have hardware at each end to connect to units with arms or to other armless/corner/curve units.
 Customer's Own Material (COM) requires 6 yards (3 for shell, 3 for cushions). See Order Information in appendices.

Dimensions

HermanMiller Ancillary-Sofas



Specification Information

Step 1.

CCL94 A

Step 2. Configuration

11 inside 30 degree A

Step 3. Base Type

4 four leg A

W wire A

Prices for Steps 1-3.

	4	W
CCL94 11	\$3862	4084

Step 4. Base Finish

For four leg (4)

91 white <input type="checkbox"/> A	+\$0
BK black <input type="checkbox"/> A	+\$0
PA polished aluminum <input type="checkbox"/> A	+\$0

For wire (W)

47 trivalent chrome <input type="checkbox"/> A	+\$0
91 white <input type="checkbox"/> A	+\$0
BK black <input type="checkbox"/> A	+\$0

Striad Low Back Curve *continued*

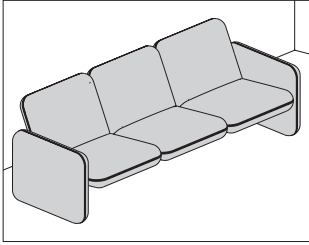
Step 5. Shell Upholstery	
Price Category 1	+\$0
Price Category 2	+\$32
Price Category 3	+\$64
Price Category (Geiger) 3	+\$64
Price Category 4	+\$119
Price Category (Geiger) 4	+\$119
Price Category 5	+\$198
Price Category (Geiger) 5	+\$198
Price Category (Geiger) 6	+\$278
Price Category 7	+\$374
Price Category (Geiger) 7	+\$374
Price Category 8	+\$491
Price Category (Geiger) 8	+\$491
Price Category 9	+\$616
Price Category 10	+\$740
Price Category (Geiger) 10	+\$740
Price Category 11	+\$864
Price Category (Geiger) 11	+\$864
Price Category B	+\$109
Price Category (Geiger) C	+\$149
Price Category D	+\$187
Price Category G	+\$379
Price Category H	+\$461
Price Category I	+\$542
Price Category J	+\$623
Price Category T	+\$1534

Step 6. Cushion Upholstery	
Price Category 10	+\$740
Price Category 1	+\$0
Price Category 2	+\$32
Price Category 3	+\$64
Price Category (Geiger) 3	+\$64
Price Category 4	+\$119
Price Category (Geiger) 4	+\$119
Price Category 5	+\$198
Price Category (Geiger) 5	+\$198
Price Category (Geiger) 6	+\$278
Price Category 7	+\$374
Price Category (Geiger) 7	+\$374
Price Category 8	+\$491
Price Category (Geiger) 8	+\$491
Price Category 9	+\$616
Price Category (Geiger) 10	+\$740
Price Category 11	+\$864
Price Category (Geiger) 11	+\$864
Price Category B	+\$109
Price Category (Geiger) C	+\$149
Price Category D	+\$187
Price Category G	+\$379
Price Category H	+\$461
Price Category I	+\$542
Price Category J	+\$623

Step 7. Fire Retardancy	
NFR not fire retardant <input type="checkbox"/> A	+\$0

Wilkes Modular Sofa Group

- MG101
- MG102
- MG103
- MG104
- MG105
- MG106



Product Information

Description

This modular sofa has upholstered molded-foam seat, back and arms attached to a steel beam. Arms are outboard on sofas with 1 to 4 seats and inboard of the end seats on sofas with 5 or 6 seats.

Notes

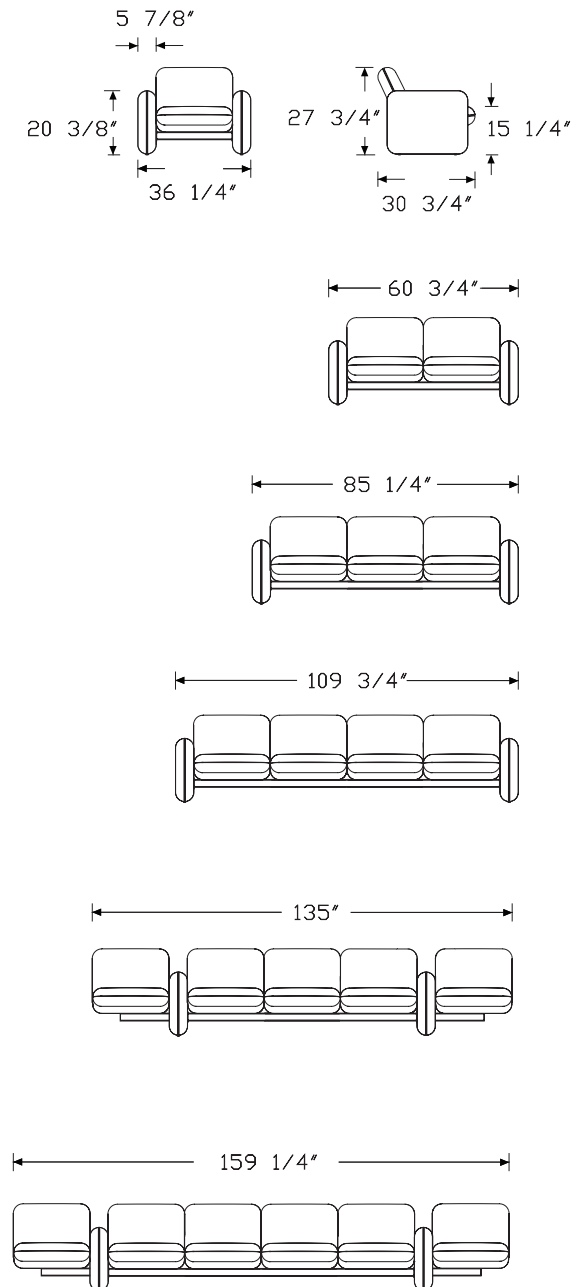
Customer's Own Material (COM) requires the following yardage:

Configuration—Yards

- MG101—6
- MG102—9¹/₄
- MG103—12¹/₂
- MG104—15³/₄
- MG105—19
- MG106—22¹/₄

HermanMiller Ancillary—Sofas

Dimensions



Wilkes Modular Sofa Group

continued

Specification Information

Step 1.

MG10

Step 2. Seats

- 1 chair
- 2 two-seat sofa
- 3 three-seat sofa
- 4 four-seat sofa
- 5 five-seat sofa
- 6 six-seat sofa

Prices for Steps 1-2.

MG101	\$2428
MG102	\$3525
MG103	\$4565
MG104	\$5085
MG105	\$5663
MG106	\$6529

Step 3. Fire Retardancy

NFR not fire retardant <input type="checkbox"/>	+\$0
CRB Crib 5 compliant <input type="checkbox"/>	+\$0

Step 4. Upholstery

For chair (1) with not fire retardant (NFR)

Price Category 1 <input type="checkbox"/>	+\$0
Price Category 2	+\$54
Price Category 4	+\$239
Price Category 5	+\$412
Price Category (Geiger) 5	+\$412
Price Category 7	+\$787
Price Category (Geiger) 7	+\$787
Price Category 12	+\$2112

For two-seat sofa (2) with not fire retardant (NFR)

Price Category 1 <input type="checkbox"/>	+\$0
Price Category 2	+\$80
Price Category 4	+\$359
Price Category 5	+\$617
Price Category (Geiger) 5	+\$617
Price Category 7	+\$1182
Price Category (Geiger) 7	+\$1182
Price Category 12	+\$3169

For three-seat sofa (3) with not fire retardant (NFR)

Price Category 1 <input type="checkbox"/>	+\$0
Price Category 2	+\$107
Price Category 4	+\$479
Price Category 5	+\$822
Price Category (Geiger) 5	+\$822
Price Category 7	+\$1576
Price Category (Geiger) 7	+\$1576
Price Category 12	+\$4225

For four-seat sofa (4) with not fire retardant (NFR)

Price Category 1 <input type="checkbox"/>	+\$0
Price Category 2	+\$133
Price Category 4	+\$598
Price Category 5	+\$1028
Price Category (Geiger) 5	+\$1028
Price Category 7	+\$1969
Price Category (Geiger) 7	+\$1969
Price Category 12	+\$5281

For five-seat sofa (5) with not fire retardant (NFR)

Price Category 1 <input type="checkbox"/>	+\$0
Price Category 2	+\$161
Price Category 4	+\$718
Price Category 5	+\$1234
Price Category (Geiger) 5	+\$1234
Price Category 7	+\$2363
Price Category (Geiger) 7	+\$2363
Price Category 12	+\$6337

For six-seat sofa (6) with not fire retardant (NFR)

Price Category 1 <input type="checkbox"/>	+\$0
Price Category 2	+\$187
Price Category 4	+\$838
Price Category 5	+\$1439
Price Category (Geiger) 5	+\$1439
Price Category 7	+\$2758
Price Category (Geiger) 7	+\$2758
Price Category 12	+\$7393

For chair (1) with Crib 5 compliant (CRB)

Price Category 5	+\$412
Price Category 7	+\$787
Price Category 12	+\$2112

Wilkes Modular Sofa Group

continued

For two-seat sofa (2) with Crib 5 compliant (CRB)

Price Category 5	+\$617
Price Category 7	+\$1182
Price Category 12	+\$3169

For three-seat sofa (3) with Crib 5 compliant (CRB)

Price Category 5	+\$822
Price Category 7	+\$1576
Price Category 12	+\$4225

For four-seat sofa (4) with Crib 5 compliant (CRB)

Price Category 5	+\$1028
Price Category 7	+\$1969
Price Category 12	+\$5281

For five-seat sofa (5) with Crib 5 compliant (CRB)

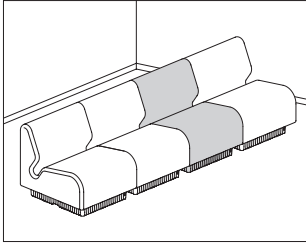
Price Category 5	+\$1234
Price Category 7	+\$2363
Price Category 12	+\$6337

For six-seat sofa (6) with Crib 5 compliant (CRB)

Price Category 5	+\$1439
Price Category 7	+\$2758
Price Category 12	+\$7393

Chadwick Module

- CM101
- CM102
- CM103
- CM105
- CM106



Product Information

Description

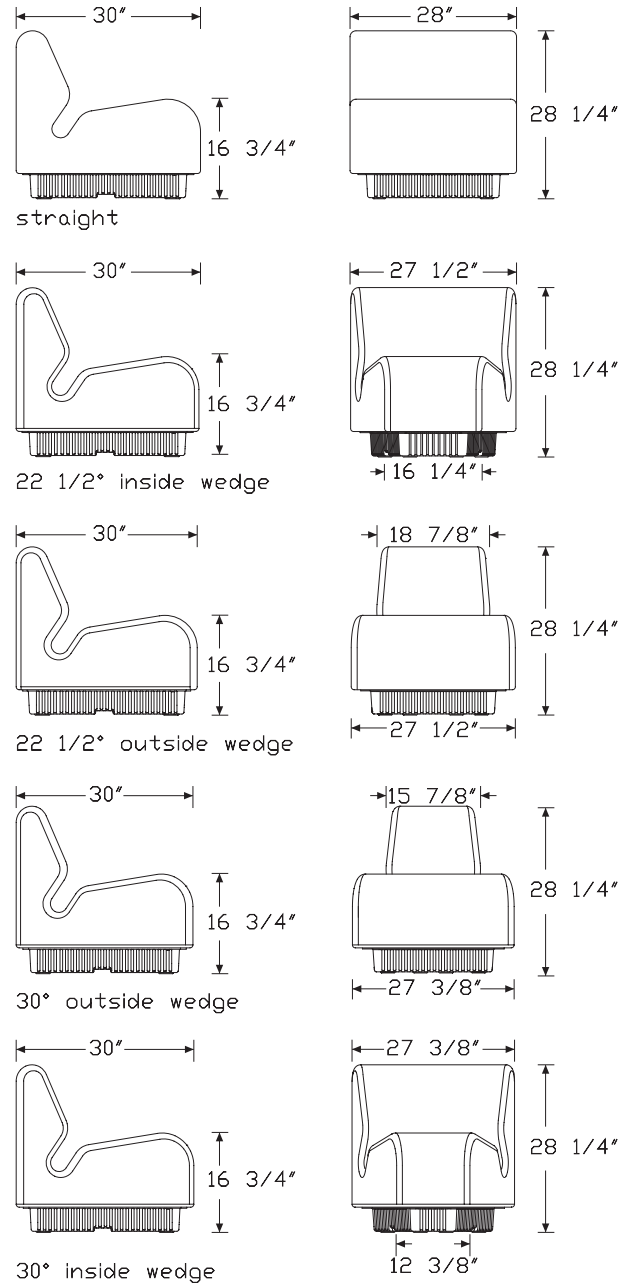
This fully upholstered foam module has a black molded base. Modules link together in any combination with loop connectors. 2 loop connectors are included with each module. Power components are sold separately.

Notes

Order base covers (CM104N) separately.
 Customer's Own Material (COM) requires 4 yards for nonrepeating fabric. See Order Information in Appendices. For more information, contact COM Department.
 Fabrics with a repeat that must be matched, or that are less than 54" wide, require additional yardage. Use the following chart to determine COM yardage requirements. For fabric with both horizontal and vertical repeats, add the horizontal and vertical repeat inches together. Use the total number of repeat inches to determine the additional fabric needed.

Fabric	Plain	2"-10"	11"-20"	21"-25"	26"-30"
Width	Fabric	Repeat	Repeat	Repeat	Repeat
54"	0%	10%	15%	20%	25%
51"-53"	15%	20%	25%	30%	35%
48"-50"	30%	35%	40%	45%	50%
45"-47"	45%	50%	55%	60%	65%
36"-44"	60%	65%	70%	75%	80%

Dimensions



HermanMiller Ancillary Sofas

Specification Information

Step 1.

CM10 A

Step 2. Shape

- 1N** straight A
- 2N** 22¹/₂° inside wedge A
- 3N** 22¹/₂° outside wedge A
- 5N** 30° outside wedge A
- 6N** 30° inside wedge A

Step 3. Fire Retardancy

NFR not fire retardant A

Prices for Steps 1-3.

CM101N NFR	\$2142
CM102N NFR	\$2067
CM103N NFR	\$2127
CM105N NFR	\$2127
CM106N NFR	\$2067

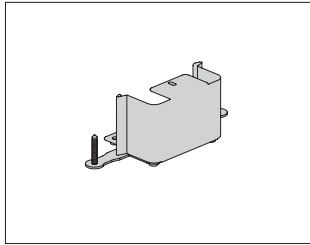
Step 4. Fabric

*See application chart and textiles list for fabric usage and numbers.
First 2 digits of number indicate fabric line; remaining digit(s) indicate fabric color.*

Price Category 1 <input type="checkbox"/> A	+\$143
Price Category 2	+\$156
Price Category 4	+\$186
Price Category (Geiger) 4	+\$186
Price Category 5	+\$278
Price Category 7	+\$588
Price Category (Geiger) 7	+\$588
Price Category 9	+\$1106
Price Category 10	+\$1212
Price Category C	+\$174
Price Category H	+\$731
Price Category I	+\$870
Price Category J	+\$1009

Chadwick Base Cover Kit

CM104

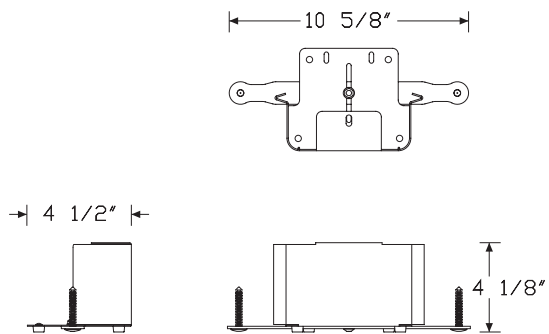


Product Information

Description

This base cover kit fills the gap at the base between 2 Chadwick modules. Package contains 2 steel covers to accommodate the front and back sides of the modules.

Dimensions

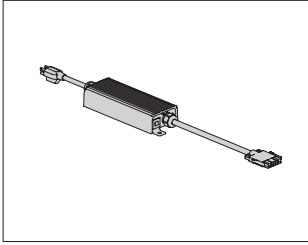


Specification Information

Step 1.

CM104N A

\$190



Product Information

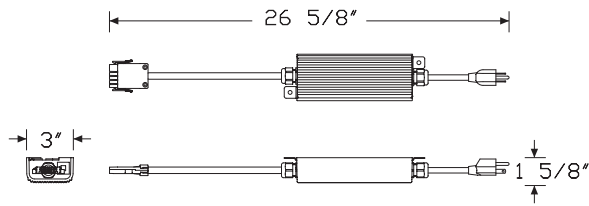
Description

This power entry connects a building's electrical supply from a wall, floor, or column to a Chadwick power receptacle kit. Entry can accommodate up to 8 duplex receptacles or 40' of cable length. Fire retardant Chadwick modules must be specified to be UL compliant. Power entry is UL listed.

Notes

Order power receptacle kit (CM108N) separately.

Dimensions



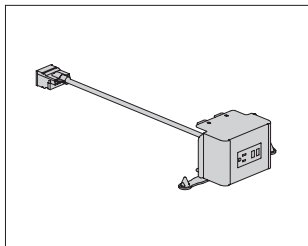
Specification Information

Step 1.

CM107N A \$508

Step 2. Cord Length

A	6' <input type="checkbox"/> A	+\$0
B	10' <input type="checkbox"/> A	+\$15
C	15' <input type="checkbox"/> A	+\$40
D	25' <input type="checkbox"/> A	+\$100

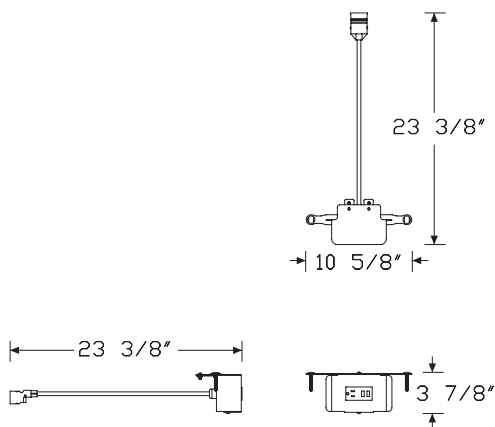


Product Information

Description

This receptacle kit attaches between 2 Chadwick module bases and has a 110-volt receptacle and 2 USB ports. It includes a base cover for the back of the base. Faceplate may be mounted flush with the base or slightly proud of the base. Receptacle kit is UL listed.

Dimensions

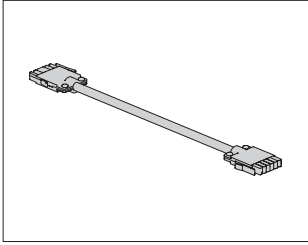


Specification Information

Step 1.

CM108N A

\$454



Product Information

Description
 This power jumper connects power between 2 receptacle kits. Jumper is UL listed.

Notes
 Order power entry (CM107N) and receptacle kit (CM108N) separately.

Dimensions

Specification Information

Step 1.

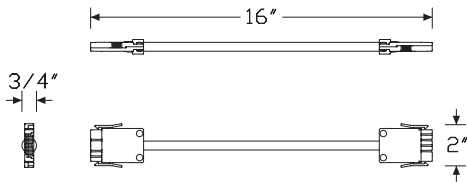
CM109N A

Step 2. Length

- A** 30" A
- B** 47" A
- C** 75" A
- D** 103" A

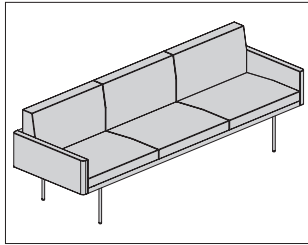
Prices for Steps 1-2.

CM109N A	\$116
B	\$129
C	\$144
D	\$161



Tuxedo Component Lounge™ Sofa

ST3AL
ST3AN
ST3AQ
ST3AR
ST3NN
ST3NQ



Product Information

Description

This sofa has a foam and Dacron® seat with a painted or plated steel base.

Notes

Order ganging plates (STGP) separately.

Customer's Own Material (COM)/Customer's Own Leather (COL) requires the following:

Type—COM—COL

ST3NN—11¼ yards—202½ square feet

ST3NQ—11¼ yards—202½ square feet

ST3AN—13 yards—234 square feet

ST3AQ—13 yards—234 square feet

ST3ALN—12¼ yards—220½ square feet

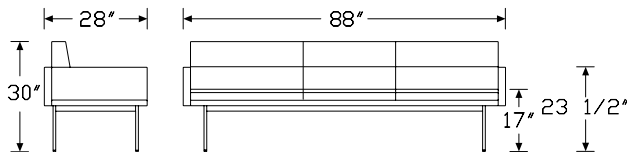
ST3ARN—12¼ yards—220½ square feet

ST3ALQ—12¼ yards—220½ square feet

ST3ARQ—12¼ yards—220½ square feet

See Order Information in Appendices for more information.

Dimensions



Specification Information

Step 1.

ST3 A

Step 2. Arms

N no arms A

A arms A

AL arm left, armless right A

AR arm right, armless left A

Step 3. Upholstery Type

N not quilted A

Q quilted A

Prices for Steps 1-3.

ST3NN	\$7024
ST3NQ	\$7266
ST3AN	\$7896
ST3AQ	\$8139
ST3AL N	\$7353
Q	\$7588
ST3AR N	\$7353
Q	\$7588

Step 4. Upholstery

For no arms (N) with not quilted (N)

Price Category 1	+\$0
Price Category (Geiger) 1	+\$544
Price Category 2	+\$654
Price Category (Geiger) 2	+\$654
Price Category 3	+\$821
Price Category (Geiger) 3	+\$821
Price Category 4	+\$1002
Price Category (Geiger) 4	+\$1002
Price Category 5	+\$1460
Price Category (Geiger) 5	+\$1460
Price Category (Geiger) 6	+\$1920
Price Category (Geiger) 7	+\$2378
Price Category (Geiger) 8	+\$3644
Price Category 9	+\$5222
Price Category (Geiger) 9	+\$4519
Price Category (Geiger) 10	+\$5202
Price Category (Geiger) 11	+\$5827
Price Category 14	+\$7634
Price Category (Geiger) A	+\$460

Tuxedo Component Lounge™

Sofa *continued*

Price Category (Geiger) C	+\$737
Price Category D	+\$974
Price Category (Geiger) D	+\$974
Price Category E	+\$1182
Price Category (Geiger) E	+\$1182
Price Category F	+\$1420
Price Category (Geiger) F	+\$1420
Price Category G	+\$1933
Price Category (Geiger) G	+\$1933
Price Category (Geiger) H	+\$2406
Price Category I	+\$2916
Price Category (Geiger) I	+\$2906
Price Category (Geiger) J	+\$3407
Price Category (Geiger) K	+\$3907
Price Category (Geiger) L	+\$4408
Price Category (Geiger) M	+\$4909
Price Category (Geiger) N	+\$5410
Price Category (Geiger) O	+\$5910
Price Category (Geiger) P	+\$6397
Price Category (Geiger) Q	+\$7385
Price Category (Geiger) R	+\$10290
Price Category (Geiger) V	+\$13349
Price Category (Geiger) X	+\$14880
Price Category (Geiger) Y	+\$15643
Price Category (Geiger) Z	+\$16416
Price Category (Geiger) COL A	+\$972
Price Category (Geiger) COM A	+\$0

For no arms (N) with quilted (Q)

Price Category 1	+\$0
Price Category (Geiger) 1	+\$544
Price Category 2	+\$654
Price Category (Geiger) 2	+\$654
Price Category 3	+\$821
Price Category (Geiger) 3	+\$821
Price Category 4	+\$1002
Price Category (Geiger) 4	+\$1002
Price Category 5	+\$1460
Price Category (Geiger) 5	+\$1460
Price Category (Geiger) 6	+\$1920
Price Category (Geiger) 7	+\$2378
Price Category (Geiger) 8	+\$3644
Price Category 9	+\$5222
Price Category (Geiger) 9	+\$4519
Price Category (Geiger) 10	+\$5202
Price Category (Geiger) 11	+\$5827
Price Category 14	+\$7634

Price Category (Geiger) A	+\$460
Price Category (Geiger) C	+\$737
Price Category D	+\$974
Price Category (Geiger) D	+\$974
Price Category (Geiger) E	+\$1182
Price Category (Geiger) E	+\$1182
Price Category F	+\$1420
Price Category (Geiger) F	+\$1420
Price Category G	+\$1933
Price Category (Geiger) G	+\$1933
Price Category (Geiger) H	+\$2406
Price Category I	+\$2916
Price Category (Geiger) I	+\$2906
Price Category (Geiger) J	+\$3407
Price Category (Geiger) K	+\$3907
Price Category (Geiger) L	+\$4408
Price Category (Geiger) M	+\$4909
Price Category (Geiger) N	+\$5410
Price Category (Geiger) O	+\$5910
Price Category (Geiger) P	+\$6397
Price Category (Geiger) Q	+\$7385
Price Category (Geiger) R	+\$10290
Price Category (Geiger) V	+\$13349
Price Category (Geiger) Z	+\$16416
Price Category (Geiger) COL A	+\$972
Price Category (Geiger) COM A	+\$0

For arms (A) with not quilted (N)

Price Category 1	+\$0
Price Category (Geiger) 1	+\$628
Price Category 2	+\$756
Price Category (Geiger) 2	+\$756
Price Category 3	+\$949
Price Category (Geiger) 3	+\$949
Price Category 4	+\$1158
Price Category (Geiger) 4	+\$1158
Price Category 5	+\$1687
Price Category (Geiger) 5	+\$1687
Price Category (Geiger) 6	+\$2218
Price Category (Geiger) 7	+\$2748
Price Category (Geiger) 8	+\$4211
Price Category 9	+\$5222
Price Category (Geiger) 9	+\$5222
Price Category (Geiger) 10	+\$6010
Price Category (Geiger) 11	+\$6733
Price Category 14	+\$8822
Price Category (Geiger) A	+\$530
Price Category (Geiger) C	+\$852

Tuxedo Component Lounge™

Sofa *continued*

Price Category D	+\$1126	Price Category (Geiger) C	+\$852
Price Category (Geiger) D	+\$1126	Price Category D	+\$1126
Price Category E	+\$1367	Price Category (Geiger) D	+\$1126
Price Category (Geiger) E	+\$1367	Price Category (Geiger) E	+\$1367
Price Category F	+\$1639	Price Category F	+\$1639
Price Category (Geiger) F	+\$1639	Price Category (Geiger) F	+\$1639
Price Category G	+\$2234	Price Category G	+\$2234
Price Category (Geiger) G	+\$2234	Price Category (Geiger) G	+\$2234
Price Category (Geiger) H	+\$2780	Price Category H	+\$1794
Price Category I	+\$3370	Price Category (Geiger) H	+\$2780
Price Category (Geiger) I	+\$3359	Price Category I	+\$3370
Price Category (Geiger) J	+\$3937	Price Category (Geiger) I	+\$3359
Price Category (Geiger) K	+\$4516	Price Category (Geiger) J	+\$3937
Price Category (Geiger) L	+\$5094	Price Category (Geiger) K	+\$4516
Price Category (Geiger) M	+\$5672	Price Category (Geiger) L	+\$5094
Price Category (Geiger) N	+\$6251	Price Category (Geiger) M	+\$5672
Price Category (Geiger) O	+\$6829	Price Category (Geiger) N	+\$6251
Price Category (Geiger) P	+\$7392	Price Category (Geiger) O	+\$6829
Price Category (Geiger) Q	+\$8533	Price Category (Geiger) P	+\$7392
Price Category (Geiger) R	+\$11891	Price Category (Geiger) Q	+\$8533
Price Category (Geiger) V	+\$15426	Price Category (Geiger) R	+\$11891
Price Category (Geiger) X	+\$17194	Price Category (Geiger) V	+\$15426
Price Category (Geiger) Y	+\$18077	Price Category (Geiger) Z	+\$18970
Price Category (Geiger) Z	+\$18970	Price Category (Geiger) COL A	+\$1123
Price Category (Geiger) COL A	+\$1123	Price Category (Geiger) COM A	+\$0
Price Category (Geiger) COM A	+\$0		

For arms (A) with quilted (Q)

Price Category 1	+\$0
Price Category (Geiger) 1	+\$628
Price Category 2	+\$756
Price Category (Geiger) 2	+\$756
Price Category 3	+\$949
Price Category (Geiger) 3	+\$949
Price Category 4	+\$1158
Price Category (Geiger) 4	+\$1158
Price Category 5	+\$1687
Price Category (Geiger) 5	+\$1687
Price Category (Geiger) 6	+\$2218
Price Category (Geiger) 7	+\$2748
Price Category (Geiger) 8	+\$4211
Price Category 9	+\$5222
Price Category (Geiger) 9	+\$5222
Price Category (Geiger) 10	+\$6010
Price Category (Geiger) 11	+\$6733
Price Category 14	+\$8822
Price Category (Geiger) A	+\$530

For arm left, armless right (AL) with quilted (Q)

Price Category 1	+\$0
Price Category (Geiger) 1	+\$592
Price Category 2	+\$713
Price Category (Geiger) 2	+\$713
Price Category 3	+\$894
Price Category (Geiger) 3	+\$894
Price Category 4	+\$1091
Price Category (Geiger) 4	+\$1091
Price Category 5	+\$1591
Price Category (Geiger) 5	+\$1591
Price Category (Geiger) 6	+\$2090
Price Category (Geiger) 7	+\$2590
Price Category (Geiger) 8	+\$3968
Price Category 9	+\$4922
Price Category (Geiger) 9	+\$4922
Price Category (Geiger) 10	+\$5664
Price Category (Geiger) 11	+\$6344
Price Category 14	+\$8314
Price Category (Geiger) A	+\$502
Price Category (Geiger) C	+\$804

Tuxedo Component Lounge™
Sofa *continued*

HermanMiller Ancillary—Sofas

Price Category D	+\$1061
Price Category (Geiger) D	+\$1061
Price Category (Geiger) E	+\$1289
Price Category F	+\$1546
Price Category (Geiger) F	+\$1546
Price Category G	+\$2044
Price Category (Geiger) G	+\$2106
Price Category (Geiger) H	+\$2621
Price Category I	+\$3175
Price Category (Geiger) I	+\$3166
Price Category (Geiger) J	+\$3712
Price Category (Geiger) K	+\$4256
Price Category (Geiger) L	+\$4801
Price Category (Geiger) M	+\$5346
Price Category (Geiger) N	+\$5891
Price Category (Geiger) O	+\$6437
Price Category (Geiger) P	+\$6966
Price Category (Geiger) Q	+\$8041
Price Category (Geiger) R	+\$11204
Price Category (Geiger) V	+\$14536
Price Category (Geiger) Z	+\$17875
Price Category (Geiger) COL A	+\$1058
Price Category (Geiger) COM A	+\$0

For arm right, armless left (AR) with quilted (Q)

Price Category 1	+\$0
Price Category (Geiger) 1	+\$592
Price Category 2	+\$713
Price Category (Geiger) 2	+\$713
Price Category 3	+\$894
Price Category (Geiger) 3	+\$894
Price Category 4	+\$1091
Price Category (Geiger) 4	+\$1091
Price Category 5	+\$1591
Price Category (Geiger) 5	+\$1591
Price Category (Geiger) 6	+\$2090
Price Category (Geiger) 7	+\$2590
Price Category (Geiger) 8	+\$3968
Price Category 9	+\$4922
Price Category (Geiger) 9	+\$4922
Price Category (Geiger) 10	+\$5664
Price Category (Geiger) 11	+\$6344
Price Category 14	+\$8314
Price Category (Geiger) A	+\$502
Price Category (Geiger) C	+\$804
Price Category D	+\$1061
Price Category (Geiger) D	+\$1061

Price Category (Geiger) E	+\$1289
Price Category F	+\$1546
Price Category (Geiger) F	+\$1546
Price Category G	+\$2044
Price Category (Geiger) G	+\$2106
Price Category (Geiger) H	+\$2621
Price Category I	+\$3175
Price Category (Geiger) I	+\$3166
Price Category (Geiger) J	+\$3712
Price Category (Geiger) K	+\$4256
Price Category (Geiger) L	+\$4801
Price Category (Geiger) M	+\$5346
Price Category (Geiger) N	+\$5891
Price Category (Geiger) O	+\$6437
Price Category (Geiger) P	+\$6966
Price Category (Geiger) Q	+\$8041
Price Category (Geiger) R	+\$11204
Price Category (Geiger) V	+\$14536
Price Category (Geiger) Z	+\$17875
Price Category (Geiger) COL A	+\$1058
Price Category (Geiger) COM A	+\$0

For arm right, armless left (AR) with not quilted (N)

Price Category 1	+\$0
Price Category (Geiger) 1	+\$592
Price Category 2	+\$713
Price Category (Geiger) 2	+\$713
Price Category 3	+\$894
Price Category (Geiger) 3	+\$894
Price Category 4	+\$1091
Price Category (Geiger) 4	+\$1091
Price Category 5	+\$1591
Price Category (Geiger) 5	+\$1591
Price Category (Geiger) 6	+\$2090
Price Category (Geiger) 7	+\$2590
Price Category (Geiger) 8	+\$3968
Price Category 9	+\$4922
Price Category (Geiger) 9	+\$4922
Price Category (Geiger) 10	+\$5664
Price Category (Geiger) 11	+\$6344
Price Category 14	+\$8314
Price Category (Geiger) A	+\$502
Price Category (Geiger) C	+\$804
Price Category D	+\$1061
Price Category (Geiger) D	+\$1061
Price Category E	+\$1289
Price Category (Geiger) E	+\$1289

Tuxedo Component Lounge™ Sofa *continued*

Price Category F	+\$1546
Price Category (Geiger) F	+\$1546
Price Category G	+\$2044
Price Category (Geiger) G	+\$2106
Price Category (Geiger) H	+\$2621
Price Category I	+\$3175
Price Category (Geiger) I	+\$3166
Price Category (Geiger) J	+\$3712
Price Category (Geiger) K	+\$4256
Price Category (Geiger) L	+\$4801
Price Category (Geiger) M	+\$5346
Price Category (Geiger) N	+\$5891
Price Category (Geiger) O	+\$6437
Price Category (Geiger) P	+\$6966
Price Category (Geiger) Q	+\$8041
Price Category (Geiger) R	+\$11204
Price Category (Geiger) V	+\$14536
Price Category (Geiger) X	+\$16202
Price Category (Geiger) Y	+\$17035
Price Category (Geiger) Z	+\$17875
Price Category (Geiger) COL <input type="checkbox"/>	+\$1058
Price Category (Geiger) COM <input type="checkbox"/>	+\$0

For arm left, armless right (AL) with not quilted (N)

Price Category 1	+\$0
Price Category (Geiger) 1	+\$592
Price Category 2	+\$713
Price Category (Geiger) 2	+\$713
Price Category 3	+\$894
Price Category (Geiger) 3	+\$894
Price Category 4	+\$1091
Price Category (Geiger) 4	+\$1091
Price Category 5	+\$1591
Price Category (Geiger) 5	+\$1591
Price Category (Geiger) 6	+\$2090
Price Category (Geiger) 7	+\$2590
Price Category (Geiger) 8	+\$3968
Price Category 9	+\$4922
Price Category (Geiger) 9	+\$4922
Price Category (Geiger) 10	+\$5664
Price Category (Geiger) 11	+\$6344
Price Category 14	+\$8314
Price Category (Geiger) A	+\$502
Price Category (Geiger) C	+\$804
Price Category D	+\$1061
Price Category (Geiger) D	+\$1061
Price Category E	+\$1289

Price Category (Geiger) E	+\$1289
Price Category F	+\$1546
Price Category (Geiger) F	+\$1546
Price Category G	+\$2044
Price Category (Geiger) G	+\$2106
Price Category (Geiger) H	+\$2621
Price Category I	+\$3175
Price Category (Geiger) I	+\$3166
Price Category (Geiger) J	+\$3712
Price Category (Geiger) K	+\$4256
Price Category (Geiger) L	+\$4801
Price Category (Geiger) M	+\$5346
Price Category (Geiger) N	+\$5891
Price Category (Geiger) O	+\$6437
Price Category (Geiger) P	+\$6966
Price Category (Geiger) Q	+\$8041
Price Category (Geiger) R	+\$11204
Price Category (Geiger) V	+\$14536
Price Category (Geiger) X	+\$16202
Price Category (Geiger) Y	+\$17035
Price Category (Geiger) Z	+\$17875
Price Category (Geiger) COL <input type="checkbox"/>	+\$1058
Price Category (Geiger) COM <input type="checkbox"/>	+\$0

Step 5. Base Finish

926 black <input type="checkbox"/>	+\$0
AS arctic silver <input type="checkbox"/>	+\$0
WHT white <input type="checkbox"/>	+\$0
CHR chrome <input type="checkbox"/>	+\$671
SAC satin chrome <input type="checkbox"/>	+\$671

Step 6. Fire Retardancy

For no arms (N)

NOCAL not fire retardant <input type="checkbox"/>	+\$0
--	------

For arms (A)

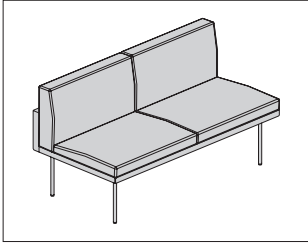
NOCAL not fire retardant <input type="checkbox"/>	+\$0
--	------

For arm left, armless right (AL) or arm right, armless left (AR)

NOCAL not fire retardant <input type="checkbox"/>	+\$0
--	------

Tuxedo Component Lounge™
Settee

ST2AL
ST2AN
ST2AQ
ST2AR
ST2NN
ST2NQ



Product Information

Description

This settee has a foam and Dacron® seat with a painted or plated steel base.

Notes

Order ganging plates (STGP) separately.

Customer's Own Material (COM)/Customer's Own Leather (COL) requires the following:

Type—COM—COL

ST2NN—7½ yards—135 square feet

ST2NQ—7½ yards—135 square feet

ST2AN—9¼ yards—166½ square feet

ST2AQ—9¼ yards—166½ square feet

ST2ALN—8½ yards—153 square feet

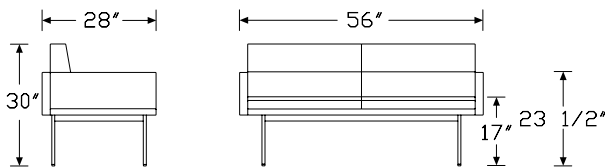
ST2ARN—8½ yards—153 square feet

ST2ALQ—8½ yards—153 square feet

ST2ARQ—8½ yards—153 square feet

See Order Information in Appendices for more information.

Dimensions



Specification Information

Step 1.

ST2 [A]

Step 2. Arms

N no arms [A]

A arms [A]

AL arm left, armless right [A]

AR arm right, armless left [A]

Step 3. Upholstery Type

N not quilted [A]

Q quilted [A]

Prices for Steps 1-3.

ST2NN	\$5083
ST2NQ	\$5229
ST2AN	\$5786
ST2AQ	\$6178
ST2AL N	\$5287
Q	\$5464

ST2AR N	\$5287
Q	\$5464

Step 4. Upholstery

For no arms (N) with not quilted (N)

Price Category 1	+\$0
Price Category (Geiger) 1	+\$362
Price Category 2	+\$437
Price Category (Geiger) 2	+\$437
Price Category 3	+\$548
Price Category (Geiger) 3	+\$548
Price Category 4	+\$668
Price Category (Geiger) 4	+\$668
Price Category 5	+\$974
Price Category (Geiger) 5	+\$974
Price Category (Geiger) 6	+\$1280
Price Category (Geiger) 7	+\$1586
Price Category (Geiger) 8	+\$2429
Price Category 9	+\$3716
Price Category (Geiger) 9	+\$3014
Price Category (Geiger) 10	+\$3468
Price Category (Geiger) 11	+\$3886
Price Category 14	+\$5090
Price Category (Geiger) A	+\$307

Tuxedo Component Lounge™ Settee *continued*

Price Category (Geiger) C	+\$492	Price Category D	+\$649
Price Category D	+\$649	Price Category (Geiger) D	+\$649
Price Category (Geiger) D	+\$649	Price Category (Geiger) E	+\$790
Price Category E	+\$790	Price Category (Geiger) F	+\$946
Price Category (Geiger) E	+\$790	Price Category (Geiger) G	+\$1290
Price Category (Geiger) F	+\$946	Price Category (Geiger) H	+\$1604
Price Category G	+\$1290	Price Category (Geiger) I	+\$1939
Price Category (Geiger) G	+\$1290	Price Category (Geiger) J	+\$2273
Price Category (Geiger) H	+\$1604	Price Category (Geiger) K	+\$2606
Price Category (Geiger) I	+\$1939	Price Category (Geiger) L	+\$2940
Price Category (Geiger) J	+\$2273	Price Category (Geiger) M	+\$3274
Price Category (Geiger) K	+\$2606	Price Category (Geiger) N	+\$3607
Price Category (Geiger) L	+\$2940	Price Category (Geiger) O	+\$3941
Price Category (Geiger) M	+\$3274	Price Category (Geiger) P	+\$4265
Price Category (Geiger) N	+\$3607	Price Category (Geiger) Q	+\$4924
Price Category (Geiger) O	+\$3941	Price Category (Geiger) R	+\$6860
Price Category (Geiger) P	+\$4265	Price Category (Geiger) V	+\$8899
Price Category (Geiger) Q	+\$4924	Price Category (Geiger) Z	+\$10944
Price Category (Geiger) R	+\$6860	Price Category (Geiger) COL A	+\$648
Price Category (Geiger) V	+\$8899	Price Category (Geiger) COM A	+\$0
Price Category (Geiger) X	+\$9919		
Price Category (Geiger) Y	+\$10430		
Price Category (Geiger) Z	+\$10944		
Price Category (Geiger) COL A	+\$648		
Price Category (Geiger) COM A	+\$0		
<hr/>			
<i>For no arms (N) with quilted (Q)</i>			
Price Category 1	+\$0	<i>For arms (A) with not quilted (N)</i>	
Price Category (Geiger) 1	+\$362	Price Category 1	+\$0
Price Category 2	+\$437	Price Category (Geiger) 1	+\$446
Price Category (Geiger) 2	+\$437	Price Category 2	+\$539
Price Category 3	+\$548	Price Category (Geiger) 2	+\$539
Price Category (Geiger) 3	+\$548	Price Category 3	+\$676
Price Category 4	+\$668	Price Category (Geiger) 3	+\$676
Price Category (Geiger) 4	+\$668	Price Category 4	+\$823
Price Category 5	+\$974	Price Category (Geiger) 4	+\$823
Price Category (Geiger) 5	+\$974	Price Category 5	+\$1201
Price Category (Geiger) 6	+\$1280	Price Category (Geiger) 5	+\$1201
Price Category (Geiger) 7	+\$1586	Price Category (Geiger) 6	+\$1579
Price Category (Geiger) 8	+\$2429	Price Category (Geiger) 7	+\$1956
Price Category 9	+\$3716	Price Category (Geiger) 8	+\$2996
Price Category (Geiger) 9	+\$3014	Price Category 9	+\$3716
Price Category (Geiger) 10	+\$3468	Price Category (Geiger) 9	+\$3716
Price Category (Geiger) 11	+\$3886	Price Category (Geiger) 10	+\$4277
Price Category 14	+\$5090	Price Category (Geiger) 11	+\$4792
Price Category (Geiger) A	+\$307	Price Category 14	+\$6277
Price Category (Geiger) C	+\$492	Price Category (Geiger) A	+\$378
		Price Category (Geiger) C	+\$606
		Price Category D	+\$802
		Price Category (Geiger) D	+\$802
		Price Category E	+\$972
		Price Category (Geiger) E	+\$972
		Price Category (Geiger) F	+\$1168

Tuxedo Component Lounge™ Settee *continued*

Price Category G	+\$1590
Price Category (Geiger) G	+\$1590
Price Category (Geiger) H	+\$1978
Price Category (Geiger) I	+\$2389
Price Category (Geiger) J	+\$2801
Price Category (Geiger) K	+\$3212
Price Category (Geiger) L	+\$3624
Price Category (Geiger) M	+\$4036
Price Category (Geiger) N	+\$4447
Price Category (Geiger) O	+\$4859
Price Category (Geiger) P	+\$5260
Price Category (Geiger) Q	+\$6072
Price Category (Geiger) R	+\$8461
Price Category (Geiger) V	+\$10976
Price Category (Geiger) X	+\$12234
Price Category (Geiger) Y	+\$12863
Price Category (Geiger) Z	+\$13498
Price Category (Geiger) COL A	+\$799
Price Category (Geiger) COM A	+\$0

For arms (A) with quilted (Q)

Price Category 1	+\$0
Price Category (Geiger) 1	+\$446
Price Category 2	+\$539
Price Category (Geiger) 2	+\$539
Price Category 3	+\$676
Price Category (Geiger) 3	+\$676
Price Category 4	+\$823
Price Category (Geiger) 4	+\$823
Price Category 5	+\$1201
Price Category (Geiger) 5	+\$1201
Price Category (Geiger) 6	+\$1579
Price Category (Geiger) 7	+\$1956
Price Category (Geiger) 8	+\$2996
Price Category 9	+\$3716
Price Category (Geiger) 9	+\$3716
Price Category (Geiger) 10	+\$4277
Price Category (Geiger) 11	+\$4792
Price Category 14	+\$6277
Price Category (Geiger) A	+\$378
Price Category (Geiger) C	+\$606
Price Category D	+\$802
Price Category (Geiger) D	+\$802
Price Category (Geiger) E	+\$972
Price Category (Geiger) F	+\$1168
Price Category (Geiger) G	+\$1590
Price Category (Geiger) H	+\$1978

Price Category (Geiger) I	+\$2389
Price Category (Geiger) J	+\$2801
Price Category (Geiger) K	+\$3212
Price Category (Geiger) L	+\$3624
Price Category (Geiger) M	+\$4036
Price Category (Geiger) N	+\$4447
Price Category (Geiger) O	+\$4859
Price Category (Geiger) P	+\$5260
Price Category (Geiger) Q	+\$6072
Price Category (Geiger) R	+\$8461
Price Category (Geiger) V	+\$10976
Price Category (Geiger) Z	+\$13498
Price Category (Geiger) COL A	+\$799
Price Category (Geiger) COM A	+\$0

For arm left, armless right (AL) with not quilted (N)

Price Category 1	+\$0
Price Category (Geiger) 1	+\$410
Price Category 2	+\$494
Price Category (Geiger) 2	+\$494
Price Category 3	+\$622
Price Category (Geiger) 3	+\$622
Price Category 4	+\$757
Price Category (Geiger) 4	+\$757
Price Category 5	+\$1104
Price Category (Geiger) 5	+\$1104
Price Category (Geiger) 6	+\$1451
Price Category (Geiger) 7	+\$1798
Price Category (Geiger) 8	+\$2753
Price Category 9	+\$3415
Price Category (Geiger) 9	+\$3415
Price Category (Geiger) 10	+\$3930
Price Category (Geiger) 11	+\$4403
Price Category 14	+\$5770
Price Category (Geiger) A	+\$348
Price Category (Geiger) C	+\$558
Price Category (Geiger) D	+\$736
Price Category (Geiger) E	+\$894
Price Category F	+\$1073
Price Category (Geiger) F	+\$1073
Price Category G	+\$1462
Price Category (Geiger) G	+\$1462
Price Category (Geiger) H	+\$1819
Price Category (Geiger) I	+\$2197
Price Category (Geiger) J	+\$2575
Price Category (Geiger) K	+\$2953
Price Category (Geiger) L	+\$3331

Tuxedo Component Lounge™ Settee *continued*

Price Category (Geiger) M	+\$3710	Price Category (Geiger) O	+\$4466
Price Category (Geiger) N	+\$4088	Price Category (Geiger) P	+\$4834
Price Category (Geiger) O	+\$4466	Price Category (Geiger) Q	+\$5580
Price Category (Geiger) P	+\$4834	Price Category (Geiger) R	+\$7775
Price Category (Geiger) Q	+\$5580	Price Category (Geiger) V	+\$10086
Price Category (Geiger) R	+\$7775	Price Category (Geiger) X	+\$11242
Price Category (Geiger) V	+\$10086	Price Category (Geiger) Y	+\$11820
Price Category (Geiger) X	+\$11242	Price Category (Geiger) Z	+\$12403
Price Category (Geiger) Y	+\$11820	Price Category (Geiger) COL A	+\$734
Price Category (Geiger) Z	+\$12403	Price Category (Geiger) COM A	+\$0
Price Category (Geiger) COL A	+\$734		
Price Category (Geiger) COM A	+\$0		
<hr/>			
<i>For arm right, armless left (AR) with not quilted (N)</i>			
Price Category 1	+\$0		
Price Category (Geiger) 1	+\$410		
Price Category 2	+\$494		
Price Category (Geiger) 2	+\$494		
Price Category 3	+\$622		
Price Category (Geiger) 3	+\$622		
Price Category 4	+\$757		
Price Category (Geiger) 4	+\$757		
Price Category 5	+\$1104		
Price Category (Geiger) 5	+\$1104		
Price Category 6	+\$1451		
Price Category (Geiger) 6	+\$1451		
Price Category 7	+\$1798		
Price Category (Geiger) 7	+\$1798		
Price Category 8	+\$2753		
Price Category (Geiger) 8	+\$2753		
Price Category 9	+\$3415		
Price Category (Geiger) 9	+\$3415		
Price Category 10	+\$3930		
Price Category (Geiger) 10	+\$3930		
Price Category 11	+\$4403		
Price Category (Geiger) 11	+\$4403		
Price Category 14	+\$5770		
Price Category (Geiger) A	+\$348		
Price Category (Geiger) C	+\$558		
Price Category (Geiger) D	+\$736		
Price Category (Geiger) E	+\$894		
Price Category F	+\$1073		
Price Category (Geiger) F	+\$1073		
Price Category G	+\$1462		
Price Category (Geiger) G	+\$1462		
Price Category (Geiger) H	+\$1819		
Price Category (Geiger) I	+\$2197		
Price Category (Geiger) J	+\$2575		
Price Category (Geiger) K	+\$2953		
Price Category (Geiger) L	+\$3331		
Price Category (Geiger) M	+\$3710		
Price Category (Geiger) N	+\$4088		
		Price Category (Geiger) O	+\$4466
		Price Category (Geiger) P	+\$4834
		Price Category (Geiger) Q	+\$5580
		Price Category (Geiger) R	+\$7775
		Price Category (Geiger) V	+\$10086
		Price Category (Geiger) X	+\$11242
		Price Category (Geiger) Y	+\$11820
		Price Category (Geiger) Z	+\$12403
		Price Category (Geiger) COL A	+\$734
		Price Category (Geiger) COM A	+\$0
		<hr/>	
		<i>For arm left, armless right (AL) with quilted (Q)</i>	
		Price Category 1	+\$0
		Price Category (Geiger) 1	+\$410
		Price Category 2	+\$494
		Price Category (Geiger) 2	+\$494
		Price Category 3	+\$622
		Price Category (Geiger) 3	+\$622
		Price Category 4	+\$757
		Price Category (Geiger) 4	+\$757
		Price Category 5	+\$1104
		Price Category (Geiger) 5	+\$1104
		Price Category 6	+\$1451
		Price Category (Geiger) 6	+\$1451
		Price Category 7	+\$1798
		Price Category (Geiger) 7	+\$1798
		Price Category 8	+\$2753
		Price Category (Geiger) 8	+\$2753
		Price Category 9	+\$3415
		Price Category (Geiger) 9	+\$3415
		Price Category 10	+\$3930
		Price Category (Geiger) 10	+\$3930
		Price Category 11	+\$4403
		Price Category (Geiger) 11	+\$4403
		Price Category 14	+\$5770
		Price Category (Geiger) A	+\$348
		Price Category (Geiger) C	+\$558
		Price Category (Geiger) D	+\$736
		Price Category (Geiger) E	+\$894
		Price Category F	+\$1073
		Price Category (Geiger) F	+\$1073
		Price Category G	+\$1462
		Price Category (Geiger) G	+\$1462
		Price Category (Geiger) H	+\$1819
		Price Category (Geiger) I	+\$2197
		Price Category (Geiger) J	+\$2575
		Price Category (Geiger) K	+\$2953
		Price Category (Geiger) L	+\$3331
		Price Category (Geiger) M	+\$3710
		Price Category (Geiger) N	+\$4088
		Price Category (Geiger) O	+\$4466
		Price Category (Geiger) P	+\$4834

Tuxedo Component Lounge™ Settee *continued*

Price Category (Geiger) Q	+\$5580
Price Category (Geiger) R	+\$7775
Price Category (Geiger) V	+\$10086
Price Category (Geiger) Z	+\$12403
Price Category (Geiger) COL A	+\$734
Price Category (Geiger) COM A	+\$0

For arm right, armless left (AR) with quilted (Q)

Price Category 1	+\$0
Price Category (Geiger) 1	+\$410
Price Category 2	+\$494
Price Category (Geiger) 2	+\$494
Price Category 3	+\$622
Price Category (Geiger) 3	+\$622
Price Category 4	+\$757
Price Category (Geiger) 4	+\$757
Price Category 5	+\$1104
Price Category (Geiger) 5	+\$1104
Price Category (Geiger) 6	+\$1451
Price Category (Geiger) 7	+\$1798
Price Category (Geiger) 8	+\$2753
Price Category 9	+\$3415
Price Category (Geiger) 9	+\$3415
Price Category (Geiger) 10	+\$3930
Price Category (Geiger) 11	+\$4403
Price Category 14	+\$5770
Price Category (Geiger) A	+\$348
Price Category (Geiger) C	+\$558
Price Category (Geiger) D	+\$736
Price Category (Geiger) E	+\$894
Price Category F	+\$1073
Price Category (Geiger) F	+\$1073
Price Category G	+\$1462
Price Category (Geiger) G	+\$1462
Price Category (Geiger) H	+\$1819
Price Category (Geiger) I	+\$2197
Price Category (Geiger) J	+\$2575
Price Category (Geiger) K	+\$2953
Price Category (Geiger) L	+\$3331
Price Category (Geiger) M	+\$3710
Price Category (Geiger) N	+\$4088
Price Category (Geiger) O	+\$4466
Price Category (Geiger) P	+\$4834
Price Category (Geiger) Q	+\$5580
Price Category (Geiger) R	+\$7775
Price Category (Geiger) V	+\$10086
Price Category (Geiger) Z	+\$12403

Price Category (Geiger) COL A	+\$734
Price Category (Geiger) COM A	+\$0

Step 5. Base Finish

926 black A	+\$0
AS arctic silver A	+\$0
WHT white A	+\$0
CHR chrome A	+\$671
SAC satin chrome A	+\$671

Step 6. Fire Retardancy

For no arms (N)

NOCAL not fire retardant A	+\$0
---	------

For arms (A)

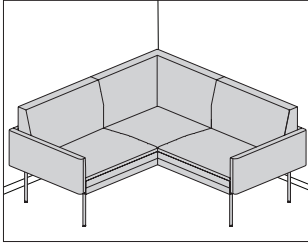
NOCAL not fire retardant A	+\$0
---	------

For arm left, armless right (AL) or arm right, armless left (AR)

NOCAL not fire retardant A	+\$0
---	------

Tuxedo Component Lounge™
Settee Corner

ST2CL
ST2CR



Product Information

Description

This corner settee has a foam and Dacron® seat with a painted or plated steel base.

Notes

Customer's Own Material (COM)/Customer's Own Leather (COL) requires the following:

Type—COM—COL

ST2CLNN/ST2CRNN—9¼ yards—166½ square feet

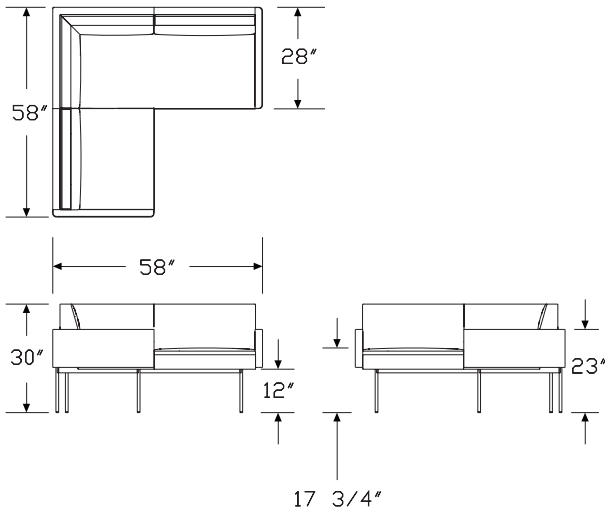
ST2CLNQ/ST2CRNQ—9¼ yards—166½ square feet

ST2CLAN/ST2CRAN—10¼ yards—184½ square feet

ST2CLAQ/ST2CRAQ—10¼ yards—184½ square feet

See Order Information in Appendices for more information.

Dimensions



Specification Information

Step 1.

ST2C A

Step 2. Corner

L corner left A

R corner right A

Step 3. Arms

N no arms A

A arms A

Step 4. Upholstery Type

N not quilted A

Q quilted A

Prices for Steps 1-4.

		N	Q
ST2CL	N	\$6127	6238
	A	\$6388	6671
ST2CR	N	\$6127	6238
	A	\$6388	6671

Step 5. Upholstery

For no arms (N) with not quilted (N)

Price Category 1	+\$0
Price Category (Geiger) 1	+\$362
Price Category 2	+\$437
Price Category (Geiger) 2	+\$437
Price Category (Geiger) 3	+\$548
Price Category 4	+\$668
Price Category (Geiger) 4	+\$668
Price Category 5	+\$974
Price Category (Geiger) 5	+\$974
Price Category (Geiger) 6	+\$1280
Price Category (Geiger) 7	+\$1586
Price Category (Geiger) 8	+\$2429
Price Category 9	+\$3014
Price Category (Geiger) 9	+\$3014
Price Category (Geiger) 10	+\$3468
Price Category (Geiger) 11	+\$3886
Price Category 14	+\$5090
Price Category (Geiger) A	+\$307
Price Category (Geiger) C	+\$492
Price Category D	+\$649

HermanMiller Ancillary—Sofas

Tuxedo Component Lounge™
Settee Corner *continued*

HermanMiller Ancillary—Sofas

Price Category (Geiger) D	+\$649
Price Category E	+\$790
Price Category (Geiger) E	+\$790
Price Category F	+\$946
Price Category (Geiger) F	+\$946
Price Category G	+\$1290
Price Category (Geiger) G	+\$1290
Price Category (Geiger) H	+\$1604
Price Category I	+\$1939
Price Category (Geiger) I	+\$1939
Price Category (Geiger) J	+\$2273
Price Category (Geiger) K	+\$2606
Price Category (Geiger) L	+\$2940
Price Category (Geiger) M	+\$3274
Price Category (Geiger) N	+\$3607
Price Category (Geiger) O	+\$3941
Price Category (Geiger) P	+\$4265
Price Category (Geiger) Q	+\$4924
Price Category (Geiger) R	+\$6860
Price Category (Geiger) V	+\$8899
Price Category (Geiger) X	+\$9919
Price Category (Geiger) Y	+\$10430
Price Category (Geiger) Z	+\$10944
Price Category (Geiger) COL A	+\$648
Price Category (Geiger) COM A	+\$0

For no arms (N) with quilted (Q)

Price Category 1	+\$0
Price Category (Geiger) 1	+\$362
Price Category 2	+\$437
Price Category (Geiger) 2	+\$437
Price Category (Geiger) 3	+\$548
Price Category 4	+\$668
Price Category (Geiger) 4	+\$668
Price Category 5	+\$974
Price Category (Geiger) 5	+\$974
Price Category (Geiger) 6	+\$1280
Price Category (Geiger) 7	+\$1586
Price Category (Geiger) 8	+\$2429
Price Category 9	+\$3014
Price Category (Geiger) 9	+\$3014
Price Category (Geiger) 10	+\$3468
Price Category (Geiger) 11	+\$3886
Price Category 14	+\$5090
Price Category (Geiger) A	+\$307
Price Category (Geiger) C	+\$492
Price Category D	+\$649

Price Category (Geiger) D	+\$649
Price Category (Geiger) E	+\$790
Price Category F	+\$946
Price Category (Geiger) F	+\$946
Price Category G	+\$1290
Price Category (Geiger) G	+\$1290
Price Category (Geiger) H	+\$1604
Price Category I	+\$1939
Price Category (Geiger) I	+\$1939
Price Category (Geiger) J	+\$2273
Price Category (Geiger) K	+\$2606
Price Category (Geiger) L	+\$2940
Price Category (Geiger) M	+\$3274
Price Category (Geiger) N	+\$3607
Price Category (Geiger) O	+\$3941
Price Category (Geiger) P	+\$4265
Price Category (Geiger) Q	+\$4924
Price Category (Geiger) R	+\$6860
Price Category (Geiger) V	+\$8899
Price Category (Geiger) Z	+\$10944
Price Category (Geiger) COL A	+\$648
Price Category (Geiger) COM A	+\$0

For arms (A) with not quilted (N)

Price Category 1	+\$0
Price Category (Geiger) 1	+\$446
Price Category 2	+\$539
Price Category (Geiger) 2	+\$539
Price Category (Geiger) 3	+\$676
Price Category 4	+\$823
Price Category (Geiger) 4	+\$823
Price Category 5	+\$1201
Price Category (Geiger) 5	+\$1201
Price Category (Geiger) 6	+\$1579
Price Category (Geiger) 7	+\$1956
Price Category (Geiger) 8	+\$2996
Price Category 9	+\$3716
Price Category (Geiger) 9	+\$3716
Price Category (Geiger) 10	+\$4277
Price Category (Geiger) 11	+\$4792
Price Category 14	+\$6277
Price Category (Geiger) A	+\$378
Price Category (Geiger) C	+\$606
Price Category D	+\$802
Price Category (Geiger) D	+\$802
Price Category E	+\$972
Price Category (Geiger) E	+\$972

Tuxedo Component Lounge™ Settee Corner *continued*

Price Category F	+\$946
Price Category (Geiger) F	+\$1168
Price Category G	+\$1590
Price Category (Geiger) G	+\$1590
Price Category H	+\$1920
Price Category (Geiger) H	+\$1978
Price Category I	+\$2389
Price Category (Geiger) I	+\$2389
Price Category (Geiger) J	+\$2801
Price Category (Geiger) K	+\$3212
Price Category (Geiger) L	+\$3624
Price Category (Geiger) M	+\$4036
Price Category (Geiger) N	+\$4447
Price Category (Geiger) O	+\$4859
Price Category (Geiger) P	+\$5260
Price Category (Geiger) Q	+\$6072
Price Category (Geiger) R	+\$8461
Price Category (Geiger) V	+\$10976
Price Category (Geiger) X	+\$12234
Price Category (Geiger) Y	+\$12863
Price Category (Geiger) Z	+\$13498
Price Category (Geiger) COL A	+\$799
Price Category (Geiger) COM A	+\$0

For arms (A) with quilted (Q)

Price Category 1	+\$0
Price Category (Geiger) 1	+\$446
Price Category 2	+\$539
Price Category (Geiger) 2	+\$539
Price Category (Geiger) 3	+\$676
Price Category 4	+\$823
Price Category (Geiger) 4	+\$823
Price Category 5	+\$1201
Price Category (Geiger) 5	+\$1201
Price Category (Geiger) 6	+\$1579
Price Category (Geiger) 7	+\$1956
Price Category (Geiger) 8	+\$2996
Price Category 9	+\$3716
Price Category (Geiger) 9	+\$3716
Price Category (Geiger) 10	+\$4277
Price Category (Geiger) 11	+\$4792
Price Category 14	+\$6277
Price Category (Geiger) A	+\$378
Price Category (Geiger) C	+\$606
Price Category D	+\$802
Price Category (Geiger) D	+\$802
Price Category (Geiger) E	+\$972

Price Category F	+\$946
Price Category (Geiger) F	+\$1168
Price Category G	+\$1590
Price Category (Geiger) G	+\$1590
Price Category (Geiger) H	+\$1978
Price Category I	+\$2389
Price Category (Geiger) I	+\$2389
Price Category (Geiger) J	+\$2801
Price Category (Geiger) K	+\$3212
Price Category (Geiger) L	+\$3624
Price Category (Geiger) M	+\$4036
Price Category (Geiger) N	+\$4447
Price Category (Geiger) O	+\$4859
Price Category (Geiger) P	+\$5260
Price Category (Geiger) Q	+\$6072
Price Category (Geiger) R	+\$8461
Price Category (Geiger) V	+\$10976
Price Category (Geiger) Z	+\$13498
Price Category (Geiger) COL A	+\$799
Price Category (Geiger) COM A	+\$0

Step 6. Base Finish

926 black A	+\$0
AS arctic silver A	+\$0
WHT white A	+\$0
CHR chrome A	+\$671
SAC satin chrome A	+\$671

Step 7. Fire Retardancy

For arms (A)

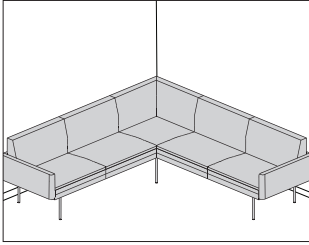
NOCAL not fire retardant A	+\$0
---	------

For no arms (N)

NOCAL not fire retardant A	+\$0
---	------

Tuxedo Component Lounge™
Sofa Corner

ST3CL
ST3CR



Product Information

Description

This corner sofa has a foam and Dacron® seat with a painted or plated steel base.

Notes

Customer's Own Material (COM)/Customer's Own Leather (COL) requires the following:

Type—COM—COL

ST3CLNN/ST3CRNN—13 yards—234 square feet

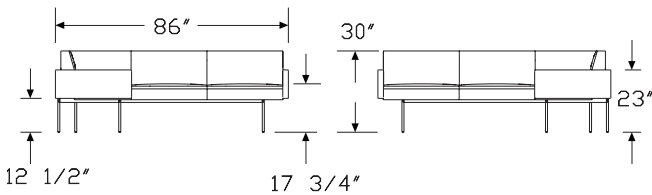
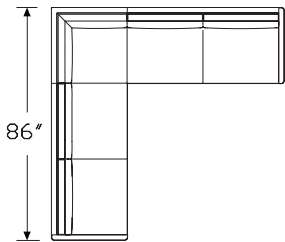
ST3CLNQ/ST3CRNQ—13 yards—234 square feet

ST3CLAN/ST3CRAN—14 yards—252 square feet

ST3CLAQ/ST3CRAQ—14 yards—252 square feet

See Order Information in Appendices for more information.

Dimensions



Specification Information

Step 1.

ST3C A

Step 2. Corner

L corner left A

R corner right A

Step 3. Arms

N no arms A

A arms A

Step 4. Upholstery Type

N not quilted A

Q quilted A

Prices for Steps 1-4.

		N	Q
ST3CL	N	\$8113	8210
	A	\$8402	8638
ST3CR	N	\$8113	8210
	A	\$8402	8638

Step 5. Upholstery

For no arms (N) with not quilted (N)

Price Category 1	+\$0
Price Category (Geiger) 1	+\$628
Price Category 2	+\$756
Price Category (Geiger) 2	+\$756
Price Category (Geiger) 3	+\$949
Price Category 4	+\$1158
Price Category (Geiger) 4	+\$1158
Price Category 5	+\$1687
Price Category (Geiger) 5	+\$1687
Price Category (Geiger) 6	+\$2218
Price Category (Geiger) 7	+\$2748
Price Category (Geiger) 8	+\$4211
Price Category 9	+\$5222
Price Category (Geiger) 9	+\$5222
Price Category (Geiger) 10	+\$6010
Price Category (Geiger) 11	+\$6733
Price Category 14	+\$8822
Price Category (Geiger) A	+\$530
Price Category (Geiger) C	+\$852
Price Category (Geiger) D	+\$1126

Tuxedo Component Lounge™ Sofa Corner *continued*

Price Category (Geiger) E	+\$1367	Price Category (Geiger) F	+\$1639
Price Category F	+\$1639	Price Category G	+\$2168
Price Category (Geiger) F	+\$1639	Price Category (Geiger) G	+\$2234
Price Category G	+\$2168	Price Category (Geiger) H	+\$2780
Price Category (Geiger) G	+\$2234	Price Category I	+\$3359
Price Category (Geiger) H	+\$2780	Price Category (Geiger) I	+\$3359
Price Category I	+\$3359	Price Category (Geiger) J	+\$3937
Price Category (Geiger) I	+\$3359	Price Category (Geiger) K	+\$4516
Price Category (Geiger) J	+\$3937	Price Category (Geiger) L	+\$5094
Price Category (Geiger) K	+\$4516	Price Category (Geiger) M	+\$5672
Price Category (Geiger) L	+\$5094	Price Category (Geiger) N	+\$6251
Price Category (Geiger) M	+\$5672	Price Category (Geiger) O	+\$6829
Price Category (Geiger) N	+\$6251	Price Category (Geiger) P	+\$7392
Price Category (Geiger) O	+\$6829	Price Category (Geiger) Q	+\$8533
Price Category (Geiger) P	+\$7392	Price Category (Geiger) R	+\$11891
Price Category (Geiger) Q	+\$8533	Price Category (Geiger) V	+\$15426
Price Category (Geiger) R	+\$11891	Price Category (Geiger) Z	+\$18970
Price Category (Geiger) V	+\$15426	Price Category (Geiger) COL A	+\$1123
Price Category (Geiger) X	+\$17194	Price Category (Geiger) COM A	+\$0
Price Category (Geiger) Y	+\$18077		
Price Category (Geiger) Z	+\$18970		
Price Category (Geiger) COL A	+\$1123		
Price Category (Geiger) COM A	+\$0		
<hr/>			
<i>For no arms (N) with quilted (Q)</i>			
Price Category 1	+\$0		
Price Category (Geiger) 1	+\$628		
Price Category 2	+\$756		
Price Category (Geiger) 2	+\$756		
Price Category (Geiger) 3	+\$949		
Price Category 4	+\$1158		
Price Category (Geiger) 4	+\$1158		
Price Category 5	+\$1687		
Price Category (Geiger) 5	+\$1687		
Price Category (Geiger) 6	+\$2218		
Price Category (Geiger) 7	+\$2748		
Price Category (Geiger) 8	+\$4211		
Price Category 9	+\$5222		
Price Category (Geiger) 9	+\$5222		
Price Category (Geiger) 10	+\$6010		
Price Category (Geiger) 11	+\$6733		
Price Category 14	+\$8822		
Price Category (Geiger) A	+\$530		
Price Category (Geiger) C	+\$852		
Price Category (Geiger) D	+\$1126		
Price Category (Geiger) E	+\$1367		
Price Category F	+\$1639		
		<i>For arms (A) with not quilted (N)</i>	
		Price Category 1	+\$0
		Price Category (Geiger) 1	+\$676
		Price Category 2	+\$814
		Price Category (Geiger) 2	+\$814
		Price Category (Geiger) 3	+\$1021
		Price Category 4	+\$1247
		Price Category (Geiger) 4	+\$1247
		Price Category 5	+\$1818
		Price Category (Geiger) 5	+\$1818
		Price Category (Geiger) 6	+\$2388
		Price Category (Geiger) 7	+\$2959
		Price Category (Geiger) 8	+\$4535
		Price Category 9	+\$5624
		Price Category (Geiger) 9	+\$5624
		Price Category (Geiger) 10	+\$6473
		Price Category (Geiger) 11	+\$7250
		Price Category 14	+\$9500
		Price Category (Geiger) A	+\$571
		Price Category (Geiger) C	+\$918
		Price Category (Geiger) E	+\$1471
		Price Category F	+\$1765
		Price Category (Geiger) F	+\$1765
		Price Category G	+\$2335
		Price Category (Geiger) G	+\$2406
		Price Category (Geiger) H	+\$2994
		Price Category I	+\$3617

Tuxedo Component Lounge™ Sofa Corner *continued*

Price Category (Geiger) I	+\$3617
Price Category (Geiger) J	+\$4240
Price Category (Geiger) K	+\$4864
Price Category (Geiger) L	+\$5486
Price Category (Geiger) M	+\$6109
Price Category (Geiger) N	+\$6732
Price Category (Geiger) O	+\$7355
Price Category (Geiger) P	+\$7961
Price Category (Geiger) Q	+\$9190
Price Category (Geiger) R	+\$12805
Price Category (Geiger) V	+\$16613
Price Category (Geiger) X	+\$18516
Price Category (Geiger) Y	+\$19468
Price Category (Geiger) Z	+\$20429
Price Category (Geiger) COL A	+\$1210
Price Category (Geiger) COM A	+\$0

For arms (A) with quilted (Q)

Price Category 1	+\$0
Price Category (Geiger) 1	+\$676
Price Category 2	+\$814
Price Category (Geiger) 2	+\$814
Price Category (Geiger) 3	+\$1021
Price Category 4	+\$1247
Price Category (Geiger) 4	+\$1247
Price Category 5	+\$1818
Price Category (Geiger) 5	+\$1818
Price Category (Geiger) 6	+\$2388
Price Category (Geiger) 7	+\$2959
Price Category (Geiger) 8	+\$4535
Price Category 9	+\$5624
Price Category (Geiger) 9	+\$5624
Price Category (Geiger) 10	+\$6473
Price Category (Geiger) 11	+\$7250
Price Category 14	+\$9500
Price Category (Geiger) A	+\$571
Price Category (Geiger) C	+\$918
Price Category (Geiger) D	+\$1212
Price Category (Geiger) E	+\$1471
Price Category F	+\$1765
Price Category (Geiger) F	+\$1765
Price Category G	+\$2335
Price Category (Geiger) G	+\$2406
Price Category (Geiger) H	+\$2994
Price Category I	+\$3617
Price Category (Geiger) I	+\$3617
Price Category (Geiger) J	+\$4240

Price Category (Geiger) K	+\$4864
Price Category (Geiger) L	+\$5486
Price Category (Geiger) M	+\$6109
Price Category (Geiger) N	+\$6732
Price Category (Geiger) O	+\$7355
Price Category (Geiger) P	+\$7961
Price Category (Geiger) Q	+\$9190
Price Category (Geiger) R	+\$12805
Price Category (Geiger) V	+\$16613
Price Category (Geiger) Z	+\$20429
Price Category (Geiger) COL A	+\$1210
Price Category (Geiger) COM A	+\$0

Step 6. Base Finish

926 black A	+\$0
AS arctic silver A	+\$0
WHT white A	+\$0
CHR chrome A	+\$671
SAC satin chrome A	+\$671

Step 7. Fire Retardancy

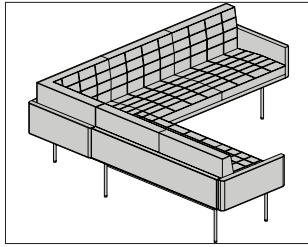
For arms (A)

NOCAL not fire retardant A	+\$0
---	------

For no arms (N)

NOCAL not fire retardant A	+\$0
---	------

Tuxedo Component Lounge™ ST2MN
 Corner Sofa with Attached Settee ST2MQ



Product Information

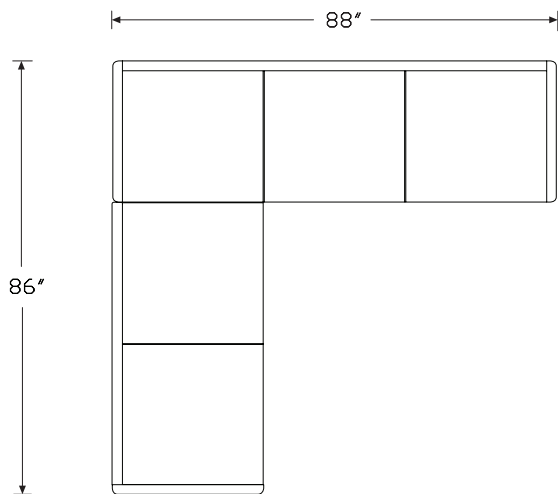
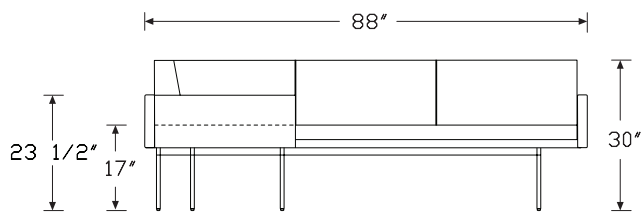
Description

This corner sofa with attached settee has a foam and Dacron® seat with a painted or plated steel base.

Notes

COM/COL requires 25¼ yards/450 square feet.

Dimensions



Shown above - Corner sofa left, settee right (R)

Specification Information

Step 1.

ST2M A

Step 2. Upholstery Type

N- not quilted A

Q- quilted A

Step 3. Settee Position

L corner sofa right, settee left A

R corner sofa left, settee right A

Prices for Steps 1-3.

ST2MN- L	\$13888
R	\$13888
ST2MQ- L	\$14302
R	\$14302

Step 4. Upholstery

For not quilted (N-)

Price Category 1	+\$0
Price Category (Geiger) 1	+\$0
Price Category 2	+\$1308
Price Category (Geiger) 2	+\$1308
Price Category 3	+\$1642
Price Category (Geiger) 3	+\$1642
Price Category 4	+\$2003
Price Category (Geiger) 4	+\$2003
Price Category 5	+\$2921
Price Category (Geiger) 5	+\$2921
Price Category (Geiger) 6	+\$3839
Price Category (Geiger) 7	+\$4757
Price Category (Geiger) 8	+\$7286
Price Category 9	+\$9040
Price Category (Geiger) 9	+\$9040
Price Category (Geiger) 10	+\$10402
Price Category (Geiger) 11	+\$11653
Price Category (Geiger) 14	+\$15269
Price Category (Geiger) A	+\$1531
Price Category (Geiger) C	+\$1808
Price Category D	+\$2087
Price Category (Geiger) D	+\$2087
Price Category E	+\$2365
Price Category (Geiger) E	+\$2365
Price Category F	+\$2644

Tuxedo Component Lounge™ Corner Sofa with Attached Settee

continued

HermanMiller Ancillary—Sofas

Price Category (Geiger) F	+\$2644
Price Category G	+\$2921
Price Category (Geiger) G	+\$2921
Price Category (Geiger) H	+\$3199
Price Category (Geiger) I	+\$5814
Price Category (Geiger) J	+\$3616
Price Category (Geiger) K	+\$4033
Price Category (Geiger) L	+\$4450
Price Category (Geiger) M	+\$5006
Price Category (Geiger) N	+\$5562
Price Category (Geiger) O	+\$11820
Price Category (Geiger) P	+\$6119
Price Category (Geiger) Q	+\$12515
Price Category (Geiger) R	+\$20580
Price Category (Geiger) V	+\$26698
Price Category (Geiger) X	+\$29758
Price Category (Geiger) Y	+\$31288
Price Category (Geiger) Z	+\$24077
Price Category (Geiger) COL <input type="checkbox"/>	+\$2430
Price Category (Geiger) COM <input type="checkbox"/>	+\$0

For quilted (Q-)

Price Category 1	+\$0
Price Category (Geiger) 1	+\$0
Price Category 2	+\$1308
Price Category (Geiger) 2	+\$1308
Price Category 3	+\$1642
Price Category (Geiger) 3	+\$1642
Price Category 4	+\$2003
Price Category (Geiger) 4	+\$2003
Price Category 5	+\$2921
Price Category (Geiger) 5	+\$2921
Price Category (Geiger) 6	+\$3839
Price Category (Geiger) 7	+\$4757
Price Category (Geiger) 8	+\$7286
Price Category 9	+\$9040
Price Category (Geiger) 9	+\$9040
Price Category (Geiger) 10	+\$10402
Price Category (Geiger) 11	+\$11653
Price Category (Geiger) 14	+\$15269
Price Category (Geiger) A	+\$1531
Price Category (Geiger) C	+\$1808
Price Category D	+\$2087
Price Category (Geiger) D	+\$2087
Price Category (Geiger) E	+\$2365
Price Category F	+\$2644
Price Category (Geiger) F	+\$2644

Price Category G	+\$2921
Price Category (Geiger) G	+\$2921
Price Category (Geiger) H	+\$3199
Price Category (Geiger) I	+\$5814
Price Category (Geiger) J	+\$3616
Price Category (Geiger) K	+\$4033
Price Category (Geiger) L	+\$4450
Price Category (Geiger) M	+\$5006
Price Category (Geiger) N	+\$5562
Price Category (Geiger) O	+\$11820
Price Category (Geiger) P	+\$6119
Price Category (Geiger) Q	+\$12515
Price Category (Geiger) R	+\$20580
Price Category (Geiger) V	+\$26698
Price Category (Geiger) Z	+\$24077
Price Category (Geiger) COL <input type="checkbox"/>	+\$2430
Price Category (Geiger) COM <input type="checkbox"/>	+\$0

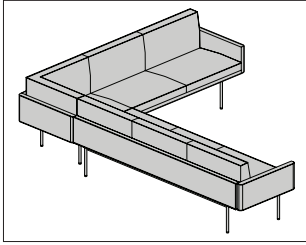
Step 5. Base Finish

926 black <input type="checkbox"/>	+\$0
AS arctic silver <input type="checkbox"/>	+\$0
WHT white <input type="checkbox"/>	+\$0
CHR chrome <input type="checkbox"/>	+\$1342
SAC satin chrome <input type="checkbox"/>	+\$1342

Step 6. Fire Retardancy

NOCAL not fire retardant <input type="checkbox"/>	+\$0
--	------

Tuxedo Component Lounge™ ST3MN
 Corner Sofa with Attached Sofa ST3MQ



Product Information

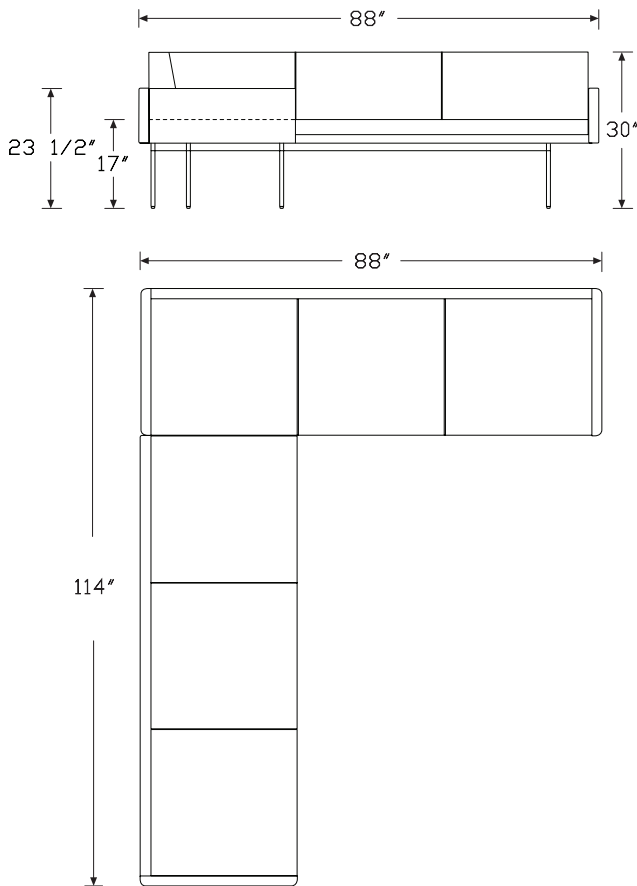
Description

This corner sofa with attached sofa has a foam and Dacron® seat with a painted or plated steel base.

Notes

COM/COL requires 28½ yards/513 square feet.

Dimensions



Shown above - Corner sofa left, sofa right (R)

Specification Information

Step 1.

ST3M A

Step 2. Upholstery Type

N- not quilted A

Q- quilted A

Step 3. Sofa Position

L corner sofa right, sofa left A

R corner sofa left, sofa right A

Prices for Steps 1-3.

ST3MN- L	\$15994
R	\$15994

ST3MQ- L	\$16466
R	\$16466

Step 4. Upholstery

For quilted (Q-)

Price Category 1	+\$0
Price Category (Geiger) 1	+\$0
Price Category 2	+\$1526
Price Category (Geiger) 2	+\$1526
Price Category 3	+\$1897
Price Category (Geiger) 3	+\$1897
Price Category 4	+\$2315
Price Category (Geiger) 4	+\$2315
Price Category 5	+\$3374
Price Category (Geiger) 5	+\$3374
Price Category (Geiger) 6	+\$4435
Price Category (Geiger) 7	+\$5496
Price Category (Geiger) 8	+\$8420
Price Category 9	+\$10445
Price Category (Geiger) 9	+\$10445
Price Category (Geiger) 10	+\$12019
Price Category (Geiger) 11	+\$13465
Price Category (Geiger) 14	+\$17610
Price Category (Geiger) A	+\$1768
Price Category (Geiger) C	+\$2089
Price Category D	+\$2411
Price Category (Geiger) D	+\$2411
Price Category (Geiger) E	+\$2732
Price Category F	+\$3054
Price Category (Geiger) F	+\$3054

Tuxedo Component Lounge™ Corner Sofa with Attached Sofa

continued

HermanMiller Ancillary-Sofas

Price Category G	+\$3374
Price Category (Geiger) G	+\$3374
Price Category (Geiger) H	+\$3696
Price Category (Geiger) I	+\$6718
Price Category (Geiger) J	+\$4178
Price Category (Geiger) K	+\$4661
Price Category (Geiger) L	+\$5142
Price Category (Geiger) M	+\$5785
Price Category (Geiger) N	+\$6427
Price Category (Geiger) O	+\$13658
Price Category (Geiger) P	+\$7070
Price Category (Geiger) Q	+\$14461
Price Category (Geiger) R	+\$23782
Price Category (Geiger) V	+\$30851
Price Category (Geiger) Z	+\$28882
Price Category (Geiger) COL A	+\$2808
Price Category (Geiger) COM A	+\$0

For not quilted (N-)

Price Category 1	+\$0
Price Category (Geiger) 1	+\$0
Price Category 2	+\$1526
Price Category (Geiger) 2	+\$1526
Price Category 3	+\$1897
Price Category (Geiger) 3	+\$1897
Price Category 4	+\$2315
Price Category (Geiger) 4	+\$2315
Price Category 5	+\$3374
Price Category (Geiger) 5	+\$3374
Price Category 6	+\$4435
Price Category (Geiger) 6	+\$4435
Price Category 7	+\$5496
Price Category (Geiger) 7	+\$5496
Price Category 8	+\$8420
Price Category 9	+\$10445
Price Category (Geiger) 9	+\$10445
Price Category 10	+\$12019
Price Category (Geiger) 10	+\$12019
Price Category 11	+\$13465
Price Category (Geiger) 11	+\$13465
Price Category 14	+\$17610
Price Category (Geiger) 14	+\$17610
Price Category A	+\$1768
Price Category (Geiger) A	+\$1768
Price Category C	+\$2089
Price Category (Geiger) C	+\$2089
Price Category D	+\$2411
Price Category (Geiger) D	+\$2411
Price Category E	+\$2732
Price Category (Geiger) E	+\$2732
Price Category F	+\$3054
Price Category (Geiger) F	+\$3054
Price Category G	+\$3374
Price Category (Geiger) G	+\$3374
Price Category H	+\$3696

Price Category (Geiger) I	+\$6718
Price Category (Geiger) J	+\$4178
Price Category (Geiger) K	+\$4661
Price Category (Geiger) L	+\$5142
Price Category (Geiger) M	+\$5785
Price Category (Geiger) N	+\$6427
Price Category (Geiger) O	+\$13658
Price Category (Geiger) P	+\$7070
Price Category (Geiger) Q	+\$14461
Price Category (Geiger) R	+\$23782
Price Category (Geiger) V	+\$30851
Price Category (Geiger) X	+\$34717
Price Category (Geiger) Y	+\$36500
Price Category (Geiger) Z	+\$28882
Price Category (Geiger) COL A	+\$2808
Price Category (Geiger) COM A	+\$0

Step 5. Base Finish

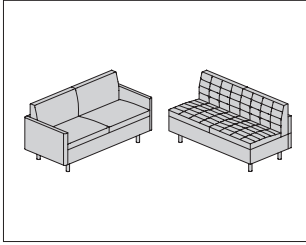
926 black A	+\$0
AS arctic silver A	+\$0
WHT white A	+\$0
CHR chrome A	+\$1342
SAC satin chrome A	+\$1342

Step 6. Fire Retardancy

NOCAL not fire retardant A	+\$0
---	------

Tuxedo Classic Settee

SZ2AB
SZ2AL
SZ2AN
SZ2AR



Product Information

Description

This settee has solid wood legs with cushions made of polyfoam and DACRON®. Cushions are quilted or not quilted. The settee is available without arms, or with arms on either the left or right side, or on both sides. Fire retardant settee meets CAL 133 requirements.

Notes

For arm on right (AR) configuration, settee connects to adjacent seat on the left.

For arm on left (AL) configuration, settee connects to adjacent seat on the right.

For arms on left and right (AB), settee connects to adjacent seat on left and right.

Handedness is determined from a seated position.

Customer's Own Material (COM)/Customer's Own Leather (COL) requires the following:

Type—COM—COL

SZ2ANN—8 yards—144 square feet

SZ2ANQ—8 yards—144 square feet

SZ2ABN—10½ yards—189 square feet

SZ2ABQ—10½ yards—189 square feet

SZ2ALN—9¾ yards—166½ square feet

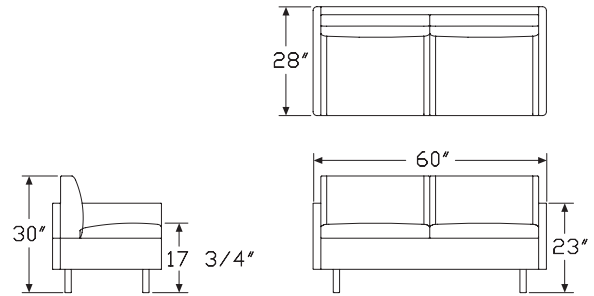
SZ2ALQ—9¾ yards—166½ square feet

SZ2ARN—9¾ yards—166½ square feet

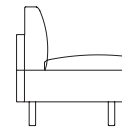
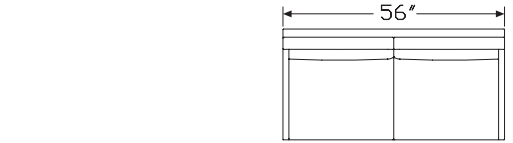
SZ2ARQ—9¾ yards—166½ square feet

See Order Information in Appendices for more information.

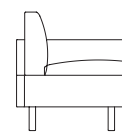
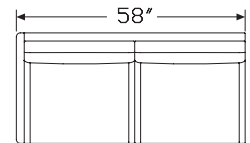
Dimensions



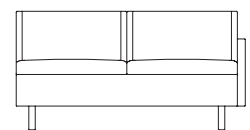
Settee



Connecting Settee - Armless



Connecting Settee - Arm Right



Connecting Settee - Arm Left

Tuxedo Classic Settee *continued*

HermanMiller Ancillary—Sofas

Specification Information

Step 1.

SZ2 A

Step 2. Arms

AN armless A

AB arms on left and right A

AL arm on left A

AR arm on right A

Step 3. Upholstery Type

N not quilted A

Q quilted A

Prices for Steps 1-3.

SZ2AN N \$4500
Q \$4867

SZ2AB N \$5522
Q \$5884

SZ2AL N \$5012
Q \$5371

SZ2AR N \$5012
Q \$5371

Step 4. Fabric

For armless (AN) with not quilted (N)

Price Category (Geiger) 11 +\$4144
Price Category P +\$3792
Price Category (Geiger) 1 +\$0
Price Category 1 +\$0
Price Category (Geiger) 2 +\$466
Price Category 2 +\$466
Price Category (Geiger) 3 +\$584
Price Category 3 +\$584
Price Category (Geiger) 4 +\$713
Price Category 4 +\$713
Price Category (Geiger) 5 +\$1039
Price Category 5 +\$1039
Price Category (Geiger) 6 +\$1366
Price Category (Geiger) 7 +\$1692
Price Category (Geiger) 8 +\$2591
Price Category (Geiger) 9 +\$3214
Price Category 9 +\$3214

Price Category (Geiger) 10 +\$3698
Price Category 14 +\$5434
Price Category (Geiger) D +\$692
Price Category D +\$672
Price Category (Geiger) E +\$841
Price Category E +\$841
Price Category (Geiger) F +\$1009
Price Category F +\$1009
Price Category (Geiger) G +\$1375
Price Category G +\$1375
Price Category (Geiger) H +\$1711
Price Category (Geiger) I +\$2068
Price Category (Geiger) K +\$2779
Price Category (Geiger) L +\$3136
Price Category (Geiger) M +\$3491
Price Category (Geiger) R +\$7318
Price Category (Geiger) COM A +\$0
Price Category (Geiger) COL A +\$691

Tuxedo Classic Settee *continued*

For armless (AN) with quilted (Q)

Price Category (Geiger) 11	+\$4144
Price Category 1	+\$0
Price Category (Geiger) 1	+\$0
Price Category 2	+\$466
Price Category (Geiger) 2	+\$466
Price Category 3	+\$584
Price Category (Geiger) 3	+\$584
Price Category 4	+\$713
Price Category (Geiger) 4	+\$713
Price Category 5	+\$1039
Price Category (Geiger) 5	+\$1039
Price Category (Geiger) 6	+\$1366
Price Category (Geiger) 7	+\$1692
Price Category (Geiger) 8	+\$2591
Price Category 9	+\$3214
Price Category (Geiger) 9	+\$3214
Price Category (Geiger) 10	+\$3698
Price Category 14	+\$5434
Price Category D	+\$672
Price Category (Geiger) D	+\$692
Price Category F	+\$1009
Price Category (Geiger) F	+\$1009
Price Category G	+\$1375
Price Category (Geiger) G	+\$1375
Price Category (Geiger) H	+\$1711
Price Category (Geiger) I	+\$2068
Price Category (Geiger) K	+\$2779
Price Category (Geiger) L	+\$3136
Price Category (Geiger) M	+\$3491
Price Category (Geiger) R	+\$7318
Price Category (Geiger) COL A	+\$691
Price Category (Geiger) COM A	+\$0

Price Category (Geiger) 6	+\$1792
Price Category (Geiger) 7	+\$2220
Price Category (Geiger) 8	+\$3401
Price Category (Geiger) 9	+\$4219
Price Category 9	+\$4219
Price Category (Geiger) 10	+\$4854
Price Category 11	+\$5438
Price Category 14	+\$7132
Price Category (Geiger) D	+\$910
Price Category D	+\$882
Price Category (Geiger) E	+\$1104
Price Category E	+\$1104
Price Category (Geiger) F	+\$1325
Price Category F	+\$1325
Price Category (Geiger) G	+\$1805
Price Category G	+\$1805
Price Category (Geiger) H	+\$2246
Price Category (Geiger) I	+\$2713
Price Category (Geiger) K	+\$3648
Price Category (Geiger) L	+\$4115
Price Category (Geiger) M	+\$4583
Price Category (Geiger) R	+\$9605
Price Category (Geiger) COM A	+\$0
Price Category (Geiger) COL A	+\$907

HermanMiller Ancillary-Sofas

For arms on left and right (AB) with not quilted (N)

Price Category (Geiger) 11	+\$5438
Price Category P	+\$4977
Price Category (Geiger) 1	+\$0
Price Category 1	+\$0
Price Category (Geiger) 2	+\$611
Price Category 2	+\$611
Price Category (Geiger) 3	+\$767
Price Category 3	+\$767
Price Category (Geiger) 4	+\$935
Price Category 4	+\$935
Price Category (Geiger) 5	+\$1364
Price Category 5	+\$1364

Tuxedo Classic Settee *continued*

<i>For arms on left and right (AB) with quilted (Q)</i>	
Price Category (Geiger) 11	+\$5438
Price Category (Geiger) 1	+\$0
Price Category 1	+\$0
Price Category 2	+\$611
Price Category (Geiger) 2	+\$611
Price Category 3	+\$767
Price Category (Geiger) 3	+\$767
Price Category 4	+\$935
Price Category (Geiger) 4	+\$935
Price Category 5	+\$1364
Price Category (Geiger) 5	+\$1364
Price Category (Geiger) 6	+\$1792
Price Category (Geiger) 7	+\$2220
Price Category (Geiger) 8	+\$3401
Price Category 9	+\$4219
Price Category (Geiger) 9	+\$4219
Price Category (Geiger) 10	+\$4854
Price Category 14	+\$7132
Price Category D	+\$882
Price Category (Geiger) D	+\$910
Price Category F	+\$1325
Price Category (Geiger) F	+\$1325
Price Category G	+\$1805
Price Category (Geiger) G	+\$1805
Price Category (Geiger) H	+\$2246
Price Category (Geiger) I	+\$2713
Price Category (Geiger) K	+\$3648
Price Category (Geiger) L	+\$4115
Price Category (Geiger) M	+\$4583
Price Category (Geiger) R	+\$9605
Price Category (Geiger) COL A	+\$907
Price Category (Geiger) COM A	+\$0

Price Category (Geiger) 6	+\$1579
Price Category (Geiger) 7	+\$1956
Price Category (Geiger) 8	+\$2996
Price Category (Geiger) 9	+\$3716
Price Category 9	+\$3716
Price Category (Geiger) 10	+\$4277
Price Category 14	+\$6283
Price Category (Geiger) D	+\$802
Price Category D	+\$778
Price Category (Geiger) E	+\$972
Price Category E	+\$972
Price Category (Geiger) F	+\$1168
Price Category F	+\$1168
Price Category (Geiger) G	+\$1590
Price Category G	+\$1590
Price Category (Geiger) H	+\$1978
Price Category (Geiger) I	+\$2389
Price Category (Geiger) K	+\$3212
Price Category (Geiger) L	+\$3624
Price Category (Geiger) M	+\$4036
Price Category (Geiger) R	+\$8461
Price Category (Geiger) COM A	+\$0
Price Category (Geiger) COL A	+\$799

<i>For arm on left (AL) or arm on right (AR) with not quilted (N)</i>	
Price Category (Geiger) 11	+\$4792
Price Category P	+\$4385
Price Category (Geiger) 1	+\$0
Price Category 1	+\$0
Price Category (Geiger) 2	+\$539
Price Category 2	+\$539
Price Category (Geiger) 3	+\$676
Price Category 3	+\$676
Price Category (Geiger) 4	+\$823
Price Category 4	+\$823
Price Category (Geiger) 5	+\$1201
Price Category 5	+\$1201

Tuxedo Classic Settee *continued*

For arm on left (AL) or arm on right (AR) with quilted (Q)

Price Category (Geiger) 11	+\$4792
Price Category (Geiger) 1	+\$0
Price Category 1	+\$0
Price Category 2	+\$539
Price Category (Geiger) 2	+\$539
Price Category 3	+\$676
Price Category (Geiger) 3	+\$676
Price Category 4	+\$823
Price Category (Geiger) 4	+\$823
Price Category 5	+\$1201
Price Category (Geiger) 5	+\$1201
Price Category (Geiger) 6	+\$1579
Price Category (Geiger) 7	+\$1956
Price Category (Geiger) 8	+\$2996
Price Category 9	+\$3716
Price Category (Geiger) 9	+\$3716
Price Category (Geiger) 10	+\$4277
Price Category 14	+\$6283
Price Category D	+\$778
Price Category (Geiger) D	+\$802
Price Category F	+\$1168
Price Category (Geiger) F	+\$1168
Price Category G	+\$1590
Price Category (Geiger) G	+\$1590
Price Category (Geiger) H	+\$1978
Price Category (Geiger) I	+\$2389
Price Category (Geiger) J	+\$2801
Price Category (Geiger) K	+\$3212
Price Category (Geiger) L	+\$3624
Price Category (Geiger) M	+\$4036
Price Category (Geiger) R	+\$8461
Price Category (Geiger) COL A	+\$799
Price Category (Geiger) COM A	+\$0

Step 5. Base Finish

Matte Finishes

662	toasted walnut, matte sheen A	+\$0
663	charred walnut, matte sheen A	+\$0
664	bronzed walnut, matte sheen A	+\$0
665	smoked walnut, matte sheen A	+\$0
666	coffee walnut, matte sheen A	+\$0
667	smoked paldao, quarter cut, matte sheen A	+\$0
669	warm paldao, quarter cut, matte sheen A	+\$0
66A	recograin frosty ash A	+\$0
677	chocolate ash, matte sheen A	+\$0

68R	recograin rosewood A	+\$0
69A	recograin frosty ash A	+\$0
69R	recograin rosewood A	+\$0
69T	recograin teak A	+\$0
6K1	rift oak A	+\$0
ET	clear on ash A	+\$0
EU	oak on ash A	+\$0
EV	walnut on ash A	+\$0
GOU	natural walnut, flat cut, matte sheen A	+\$0
6A1	white ash A	+\$0
6K6	burnt oak A	+\$0
932	sundance anigre A	+\$0
933	caramel anigre A	+\$0
934	henna anigre A	+\$0
940	sundance cherry on maple A	+\$0
962	toasted walnut, low sheen A	+\$0
963	charred walnut, low sheen A	+\$0
964	bronzed walnut, low sheen A	+\$0
965	smoked walnut, low sheen A	+\$0
966	coffee walnut, low sheen A	+\$0
967	smoked paldao, low sheen A	+\$0
969	warm paldao, low sheen A	+\$0
972	sundance walnut A	+\$0
977	chocolate ash, low sheen A	+\$0
98R	recograin rosewood A	+\$0
991	champagne ash A	+\$0
99A	recograin frosty ash A	+\$0
99R	recograin rosewood A	+\$0
99T	recograin teak A	+\$0
9A1	white ash, quarter cut, low sheen A	+\$0
9K1	rift oak, rift cut, low sheen A	+\$0
9K6	burnt oak, rift cut, low sheen A	+\$0
G2U	light brown walnut, low sheen A	+\$0
G40	dark brown walnut, low sheen A	+\$0
943	caramel cherry A	+\$0
946	cocoa cherry A	+\$0
956	cocoa sapele A	+\$0
998	ebony ash A	+\$0

RecoGrain Veneer

68W	recograin walnut, flat cut, matte sheen A	+\$0
69W	recograin walnut, quarter cut, matte sheen A	+\$0

Recon Veneer -

98W	recograin walnut, flat cut, low sheen A	+\$0
99W	recograin walnut, quarter cut, low sheen A	+\$0

Tuxedo Classic Settee *continued*

Step 6. Fire Retardancy

For armless (AN)

NOCAL no cal-133 required A +\$0

For arms on left and right (AB)

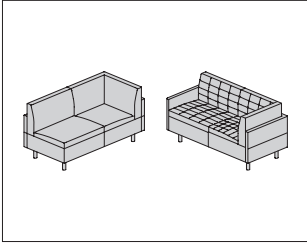
NOCAL no cal-133 required A +\$0

For arm on left (AL) or arm on right (AR)

NOCAL no cal-133 required A +\$0

Tuxedo Classic Corner Settee

SZ2CL
SZ2CR
SZ2ZL
SZ2ZR



Product Information

Description

This corner settee has solid wood legs with cushions made of polyfoam and DACRON®. Cushions are quilted or not quilted. The settee is available with the corner on the left or right side and with or without an arm on the opposite side. Fire retardant settee meets CAL 133 requirements.

Notes

Handedness is determined from a seated position.

Customer's Own Material (COM)/Customer's Own Leather (COL) requires the following:

Type—COM—COL

SZ2CRN—10½ yards—189 square feet

SZ2CRQ—10½ yards—189 square feet

SZ2CLN—10½ yards—189 square feet

SZ2CLQ—10½ yards—189 square feet

SZ2ZRN—11¾ yards—212 square feet

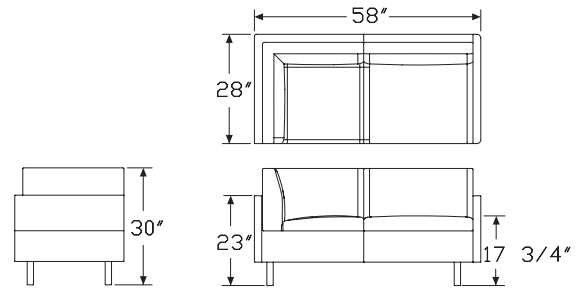
SZ2ZRQ—11¾ yards—212 square feet

SZ2ZLN—11¾ yards—212 square feet

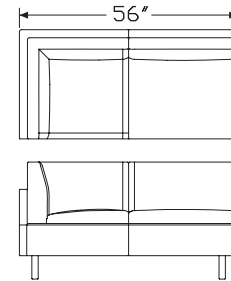
SZ2ZLQ—11¾ yards—212 square feet

See Order Information in Appendices for more information.

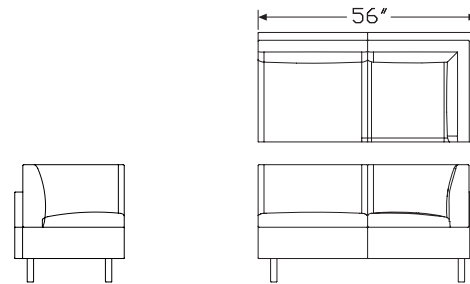
Dimensions



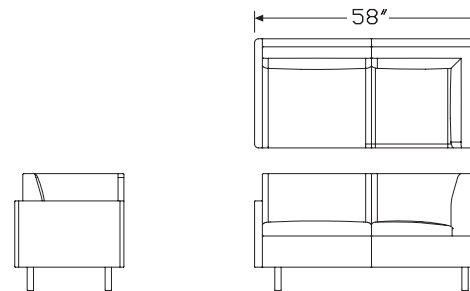
Corner Settee with Arm - Right



Corner Settee - Right



Corner Settee - Left



Corner Settee with Arm - Left

Tuxedo Classic Corner Settee

continued

HermanMiller Ancillary-Sofas

Specification Information

Step 1.

SZ2 A

Step 2. Arms

CL corner left A

CR corner right A

ZL corner on left with arm on right A

ZR corner on right with arm on left A

Step 3. Upholstery Type

N not quilted A

Q quilted A

Prices for Steps 1-3.

SZ2CL N \$5674

Q \$6106

SZ2CR N \$5674

Q \$6106

SZ2ZL N \$6178

Q \$6611

SZ2ZR N \$6178

Q \$6611

Step 4. Fabric

For not quilted (N)

Price Category (Geiger) 11 +\$5438

Price Category P +\$4977

Price Category (Geiger) 1 +\$0

Price Category 1 +\$0

Price Category (Geiger) 2 +\$611

Price Category 2 +\$611

Price Category (Geiger) 3 +\$767

Price Category 3 +\$767

Price Category (Geiger) 4 +\$935

Price Category 4 +\$935

Price Category (Geiger) 5 +\$1364

Price Category 5 +\$1364

Price Category (Geiger) 6 +\$1792

Price Category (Geiger) 7 +\$2220

Price Category (Geiger) 8 +\$3401

Price Category (Geiger) 9 +\$4219

Price Category 9 +\$4219

Price Category (Geiger) 10 +\$4854

Price Category 14 +\$7132

Price Category (Geiger) D +\$910

Price Category D +\$882

Price Category (Geiger) E +\$1104

Price Category E +\$1104

Price Category (Geiger) F +\$1325

Price Category F +\$1325

Price Category (Geiger) G +\$1805

Price Category G +\$1805

Price Category (Geiger) H +\$2246

Price Category (Geiger) I +\$2713

Price Category (Geiger) J +\$3181

Price Category (Geiger) K +\$3648

Price Category (Geiger) L +\$4115

Price Category (Geiger) M +\$4583

Price Category (Geiger) R +\$9605

Price Category (Geiger) COM A +\$0

Price Category (Geiger) COL A +\$907

Tuxedo Classic Corner Settee

continued

For quilted (Q)

Price Category (Geiger) 11	+\$5438
Price Category (Geiger) 1	+\$0
Price Category 1	+\$0
Price Category 2	+\$611
Price Category (Geiger) 2	+\$611
Price Category 3	+\$767
Price Category (Geiger) 3	+\$767
Price Category 4	+\$935
Price Category (Geiger) 4	+\$935
Price Category 5	+\$1364
Price Category (Geiger) 5	+\$1364
Price Category (Geiger) 6	+\$1792
Price Category (Geiger) 7	+\$2220
Price Category (Geiger) 8	+\$3401
Price Category 9	+\$4219
Price Category (Geiger) 9	+\$4219
Price Category (Geiger) 10	+\$4854
Price Category 14	+\$7132
Price Category D	+\$882
Price Category (Geiger) D	+\$910
Price Category F	+\$1325
Price Category (Geiger) F	+\$1325
Price Category G	+\$1805
Price Category (Geiger) G	+\$1805
Price Category (Geiger) H	+\$2246
Price Category (Geiger) I	+\$2713
Price Category (Geiger) K	+\$3648
Price Category (Geiger) L	+\$4115
Price Category (Geiger) M	+\$4583
Price Category (Geiger) R	+\$9605
Price Category (Geiger) COL A	+\$907
Price Category (Geiger) COM A	+\$0

Step 5. Base Finish

Matte Finishes

662	toasted walnut, matte sheen A	+\$0
663	charred walnut, matte sheen A	+\$0
664	bronzed walnut, matte sheen A	+\$0
665	smoked walnut, matte sheen A	+\$0
666	coffee walnut, matte sheen A	+\$0
667	smoked paldao, quarter cut, matte sheen A	+\$0
669	warm paldao, quarter cut, matte sheen A	+\$0
66A	recograin frosty ash A	+\$0
677	chocolate ash, matte sheen A	+\$0
68R	recograin rosewood A	+\$0

69A	recograin frosty ash A	+\$0
69R	recograin rosewood A	+\$0
69T	recograin teak A	+\$0
6K1	rift oak A	+\$0
ET	clear on ash A	+\$0
EU	oak on ash A	+\$0
EV	walnut on ash A	+\$0
GOU	natural walnut, flat cut, matte sheen A	+\$0
6A1	white ash A	+\$0
6K6	burnt oak A	+\$0
932	sundance anigre A	+\$0
933	caramel anigre A	+\$0
934	henna anigre A	+\$0
940	sundance cherry on maple A	+\$0
962	toasted walnut, low sheen A	+\$0
963	charred walnut, low sheen A	+\$0
964	bronzed walnut, low sheen A	+\$0
965	smoked walnut, low sheen A	+\$0
966	coffee walnut, low sheen A	+\$0
967	smoked paldao, low sheen A	+\$0
969	warm paldao, low sheen A	+\$0
972	sundance walnut A	+\$0
977	chocolate ash, low sheen A	+\$0
98R	recograin rosewood A	+\$0
991	champagne ash A	+\$0
99A	recograin frosty ash A	+\$0
99R	recograin rosewood A	+\$0
99T	recograin teak A	+\$0
9A1	white ash, quarter cut, low sheen A	+\$0
9K1	rift oak, rift cut, low sheen A	+\$0
9K6	burnt oak, rift cut, low sheen A	+\$0
G2U	light brown walnut, low sheen A	+\$0
G40	dark brown walnut, low sheen A	+\$0
943	caramel cherry A	+\$0
946	cocoa cherry A	+\$0
956	cocoa sapele A	+\$0
998	ebony ash A	+\$0

RecoGrain Veneer

68W	recograin walnut, flat cut, matte sheen A	+\$0
69W	recograin walnut, quarter cut, matte sheen A	+\$0

Recon Veneer -

98W	recograin walnut, flat cut, low sheen A	+\$0
99W	recograin walnut, quarter cut, low sheen A	+\$0

Tuxedo Classic Corner Settee

continued

Step 6. Fire Retardancy

For corner left (CL) or corner right (CR)

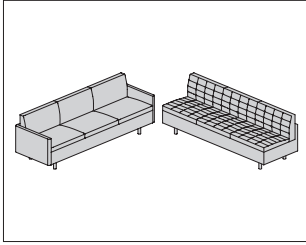
NOCAL no cal-133 required A +\$0

For corner on left with arm on right (ZL) or corner on right with arm on left (ZR)

NOCAL no cal-133 required A +\$0

Tuxedo Classic Sofa

SZ3AB
SZ3AL
SZ3AN
SZ3AR



Product Information

Description

This sofa has solid wood legs with cushions made of polyfoam and DACRON®. Cushions are quilted or not quilted. The sofa is available without arms, or with arms on either the left or right side, or on both sides. Fire retardant sofa meets CAL 133 requirements.

Notes

For arm on right (AR) configuration, sofa connects to adjacent seat on the left.

For arm on left (AL) configuration, sofa connects to adjacent seat on the right.

For arms on left and right (AB), sofa connects to adjacent seat on left and right.

Handedness is determined from a seated position.

Customer's Own Material (COM)/Customer's Own Leather (COL) requires the following:

Type—COM—COL

SZ3ANN—11½ yards—207 square feet

SZ3ANQ—11½ yards—207 square feet

SZ3ABN—14 yards—252 square feet

SZ3ABQ—14 yards—252 square feet

SZ3ALN—12¾ yards—229½ square feet

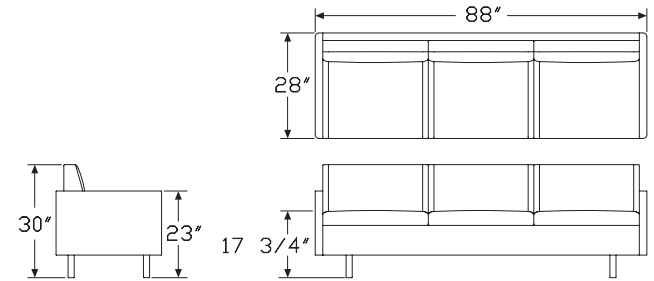
SZ3ALQ—12¾ yards—229½ square feet

SZ3ARN—12¾ yards—229½ square feet

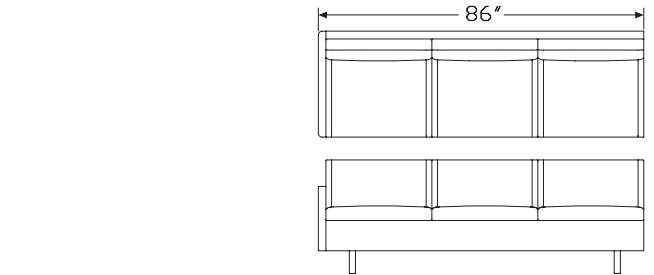
SZ3ARQ—12¾ yards—229½ square feet

See Order Information in Appendices for more information.

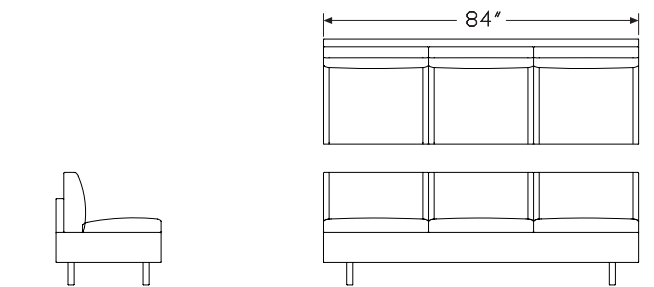
Dimensions



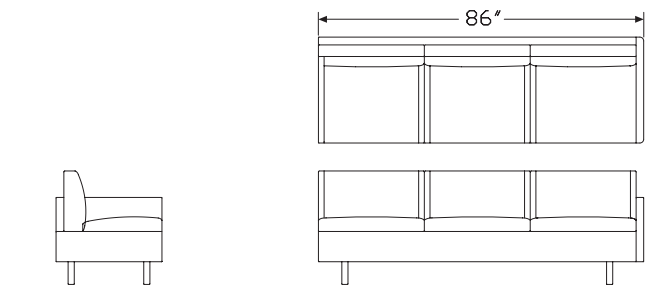
Sofa



Connecting Sofa - Arm Right



Connecting Sofa - Armless



Connecting Sofa - Arm Left

HermanMiller Ancillary Sofas

Tuxedo Classic Sofa *continued*

HermanMiller Ancillary--Sofas

Specification Information

Step 1.

SZ3 A

Step 2. Arms

- AN** armless A
- AB** arms on left and right A
- AL** arm on left A
- AR** arm on right A

Step 3. Upholstery Type

- N** not quilted A
- Q** quilted A

Prices for Steps 1-3.

SZ3AN N	\$6230
Q	\$6925
SZ3AB N	\$7392
Q	\$7936
SZ3AL N	\$6887
Q	\$7424
SZ3AR N	\$6887
Q	\$7424

Step 4. Fabric

For armless (AN) with not quilted (N)

Price Category P	+\$5333
Price Category 1	+\$0
Price Category (Geiger) 1	+\$0
Price Category 2	+\$670
Price Category (Geiger) 2	+\$670
Price Category 3	+\$840
Price Category (Geiger) 3	+\$840
Price Category 4	+\$1024
Price Category (Geiger) 4	+\$1024
Price Category 5	+\$1494
Price Category (Geiger) 5	+\$1494
Price Category (Geiger) 6	+\$1962
Price Category (Geiger) 7	+\$2432
Price Category (Geiger) 8	+\$3725
Price Category 9	+\$4621
Price Category (Geiger) 9	+\$4621
Price Category (Geiger) 10	+\$5317
Price Category (Geiger) 11	+\$5957
Price Category 14	+\$7811
Price Category D	+\$966
Price Category (Geiger) D	+\$996
Price Category E	+\$1210
Price Category (Geiger) E	+\$1210
Price Category (Geiger) F	+\$1451
Price Category (Geiger) G	+\$1976
Price Category (Geiger) H	+\$2460
Price Category (Geiger) I	+\$2972
Price Category (Geiger) K	+\$3995
Price Category (Geiger) L	+\$4507
Price Category (Geiger) M	+\$5018
Price Category (Geiger) R	+\$10530
Price Category (Geiger) COL <input type="checkbox"/> A	+\$994
Price Category (Geiger) COM <input type="checkbox"/> A	+\$0

Tuxedo Classic Sofa *continued*

For armless (AN) with quilted (Q)

Price Category 1	+\$0
Price Category (Geiger) 1	+\$0
Price Category 2	+\$670
Price Category (Geiger) 2	+\$670
Price Category 3	+\$840
Price Category (Geiger) 3	+\$840
Price Category 4	+\$1024
Price Category (Geiger) 4	+\$1024
Price Category 5	+\$1494
Price Category (Geiger) 5	+\$1494
Price Category (Geiger) 6	+\$1962
Price Category (Geiger) 7	+\$2432
Price Category (Geiger) 8	+\$3725
Price Category 9	+\$4621
Price Category (Geiger) 9	+\$4621
Price Category (Geiger) 10	+\$5317
Price Category (Geiger) 11	+\$5957
Price Category 14	+\$7811
Price Category D	+\$966
Price Category (Geiger) D	+\$996
Price Category (Geiger) F	+\$1451
Price Category (Geiger) G	+\$1976
Price Category (Geiger) H	+\$2460
Price Category (Geiger) I	+\$2972
Price Category (Geiger) K	+\$3995
Price Category (Geiger) L	+\$4507
Price Category (Geiger) M	+\$5018
Price Category (Geiger) R	+\$10530
Price Category (Geiger) COL A	+\$994
Price Category (Geiger) COM A	+\$0

For arms on left and right (AB) with not quilted (N)

Price Category P	+\$6636
Price Category 1	+\$0
Price Category (Geiger) 1	+\$0
Price Category 2	+\$814
Price Category (Geiger) 2	+\$814
Price Category 3	+\$1021
Price Category (Geiger) 3	+\$1021
Price Category 4	+\$1247
Price Category (Geiger) 4	+\$1247
Price Category 5	+\$1818
Price Category (Geiger) 5	+\$1818
Price Category (Geiger) 6	+\$2388
Price Category (Geiger) 7	+\$2959
Price Category (Geiger) 8	+\$4535
Price Category 9	+\$5624
Price Category (Geiger) 9	+\$5624
Price Category (Geiger) 10	+\$6473
Price Category (Geiger) 11	+\$7250
Price Category 14	+\$9509
Price Category D	+\$1176
Price Category (Geiger) D	+\$1212
Price Category E	+\$1471
Price Category (Geiger) E	+\$1471
Price Category (Geiger) F	+\$1765
Price Category (Geiger) G	+\$2406
Price Category (Geiger) H	+\$2994
Price Category (Geiger) I	+\$3617
Price Category (Geiger) K	+\$4864
Price Category (Geiger) L	+\$5486
Price Category (Geiger) M	+\$6109
Price Category (Geiger) R	+\$12818
Price Category (Geiger) COL A	+\$1210
Price Category (Geiger) COM A	+\$0

HermanMiller Ancillary Sofas

Tuxedo Classic Sofa *continued*

<i>For arms on left and right (AB) with quilted (Q)</i>	
Price Category 1	+\$0
Price Category (Geiger) 1	+\$0
Price Category 2	+\$814
Price Category (Geiger) 2	+\$814
Price Category 3	+\$1021
Price Category (Geiger) 3	+\$1021
Price Category 4	+\$1247
Price Category (Geiger) 4	+\$1247
Price Category 5	+\$1818
Price Category (Geiger) 5	+\$1818
Price Category (Geiger) 6	+\$2388
Price Category (Geiger) 7	+\$2959
Price Category (Geiger) 8	+\$4535
Price Category 9	+\$5624
Price Category (Geiger) 9	+\$5624
Price Category (Geiger) 10	+\$6473
Price Category (Geiger) 11	+\$7250
Price Category 14	+\$9509
Price Category D	+\$1176
Price Category (Geiger) D	+\$1212
Price Category (Geiger) F	+\$1765
Price Category (Geiger) G	+\$2406
Price Category (Geiger) H	+\$2994
Price Category (Geiger) I	+\$3617
Price Category (Geiger) J	+\$4240
Price Category (Geiger) K	+\$4864
Price Category (Geiger) L	+\$5486
Price Category (Geiger) M	+\$6109
Price Category (Geiger) R	+\$12818
Price Category (Geiger) COL A	+\$1210
Price Category (Geiger) COM A	+\$0

<i>For arm on left (AL) or arm on right (AR) with not quilted (N)</i>	
Price Category P	+\$5333
Price Category 1	+\$0
Price Category (Geiger) 1	+\$0
Price Category 2	+\$740
Price Category (Geiger) 2	+\$740
Price Category 3	+\$930
Price Category (Geiger) 3	+\$930
Price Category 4	+\$1135
Price Category (Geiger) 4	+\$1135
Price Category 5	+\$1656
Price Category (Geiger) 5	+\$1656
Price Category (Geiger) 6	+\$2176
Price Category (Geiger) 7	+\$2695
Price Category (Geiger) 8	+\$4130
Price Category 9	+\$5123
Price Category (Geiger) 9	+\$5123
Price Category (Geiger) 10	+\$5896
Price Category (Geiger) 11	+\$6604
Price Category 14	+\$8660
Price Category D	+\$1072
Price Category (Geiger) D	+\$1104
Price Category E	+\$1340
Price Category (Geiger) E	+\$1340
Price Category (Geiger) F	+\$1609
Price Category (Geiger) G	+\$2191
Price Category (Geiger) H	+\$2728
Price Category (Geiger) I	+\$3294
Price Category (Geiger) K	+\$4429
Price Category (Geiger) L	+\$4997
Price Category (Geiger) M	+\$5564
Price Category (Geiger) R	+\$11903
Price Category (Geiger) COL A	+\$1102
Price Category (Geiger) COM A	+\$0

For arm on left (AL) or arm on right (AR) with quilted (Q)

Price Category 1	+\$0
Price Category (Geiger) 1	+\$0
Price Category 2	+\$740
Price Category (Geiger) 2	+\$740
Price Category 3	+\$930
Price Category (Geiger) 3	+\$930
Price Category 4	+\$1135
Price Category (Geiger) 4	+\$1135
Price Category 5	+\$1656
Price Category (Geiger) 5	+\$1656
Price Category (Geiger) 6	+\$2176
Price Category (Geiger) 7	+\$2695
Price Category (Geiger) 8	+\$4130
Price Category 9	+\$5123
Price Category (Geiger) 9	+\$5123
Price Category (Geiger) 10	+\$5896
Price Category (Geiger) 11	+\$6604
Price Category 14	+\$8660
Price Category (Geiger) D	+\$1104
Price Category E	+\$1340
Price Category (Geiger) F	+\$1609
Price Category (Geiger) G	+\$2191
Price Category (Geiger) H	+\$2728
Price Category (Geiger) I	+\$3294
Price Category (Geiger) K	+\$4429
Price Category (Geiger) L	+\$4997
Price Category (Geiger) M	+\$5564
Price Category (Geiger) R	+\$11903
Price Category (Geiger) COL A	+\$1102
Price Category (Geiger) COM A	+\$0

Step 5. Base Finish

Matte Finishes

662	toasted walnut, matte sheen A	+\$0
663	charred walnut, matte sheen A	+\$0
664	bronzed walnut, matte sheen A	+\$0
665	smoked walnut, matte sheen A	+\$0
666	coffee walnut, matte sheen A	+\$0
667	smoked paldao, quarter cut, matte sheen A	+\$0
669	warm paldao, quarter cut, matte sheen A	+\$0
66A	recograin frosty ash A	+\$0
677	chocolate ash, matte sheen A	+\$0
68R	recograin rosewood A	+\$0
69A	recograin frosty ash A	+\$0
69R	recograin rosewood A	+\$0

69T	recograin teak A	+\$0
6K1	rift oak A	+\$0
ET	clear on ash A	+\$0
EU	oak on ash A	+\$0
EV	walnut on ash A	+\$0
GOU	natural walnut, flat cut, matte sheen A	+\$0
6A1	white ash A	+\$0
6K6	burnt oak A	+\$0
932	sundance anigre A	+\$0
933	caramel anigre A	+\$0
934	henna anigre A	+\$0
940	sundance cherry on maple A	+\$0
962	toasted walnut, low sheen A	+\$0
963	charred walnut, low sheen A	+\$0
964	bronzed walnut, low sheen A	+\$0
965	smoked walnut, low sheen A	+\$0
966	coffee walnut, low sheen A	+\$0
967	smoked paldao, low sheen A	+\$0
969	warm paldao, low sheen A	+\$0
972	sundance walnut A	+\$0
977	chocolate ash, low sheen A	+\$0
98R	recograin rosewood A	+\$0
991	champagne ash A	+\$0
99A	recograin frosty ash A	+\$0
99R	recograin rosewood A	+\$0
99T	recograin teak A	+\$0
9A1	white ash, quarter cut, low sheen A	+\$0
9K1	rift oak, rift cut, low sheen A	+\$0
9K6	burnt oak, rift cut, low sheen A	+\$0
G2U	light brown walnut, low sheen A	+\$0
G40	dark brown walnut, low sheen A	+\$0
943	caramel cherry A	+\$0
946	cocoa cherry A	+\$0
956	cocoa sapele A	+\$0
998	ebony ash A	+\$0

RecoGrain Veneer

68W	recograin walnut, flat cut, matte sheen A	+\$0
69W	recograin walnut, quarter cut, matte sheen A	+\$0

Recon Veneer -

98W	recograin walnut, flat cut, low sheen A	+\$0
99W	recograin walnut, quarter cut, low sheen A	+\$0

Tuxedo Classic Sofa *continued*

Step 6. Fire Retardancy

For armless (AN)

NOCAL no cal-133 required A +\$0

For arms on left and right (AB)

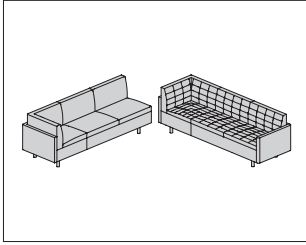
NOCAL no cal-133 required A +\$0

For arm on left (AL) or arm on right (AR)

NOCAL no cal-133 required A +\$0

Tuxedo Classic Corner Sofa

SZ3CL
 SZ3CR
 SZ3ZL
 SZ3ZR



Product Information

Description

This corner sofa has solid wood legs with cushions made of polyfoam and DACRON®. Cushions are quilted or not quilted. The sofa is available with the corner on the left or right side and with or without an arm on the opposite side. Fire retardant sofa meets CAL 133 requirements.

Notes

Handedness is determined from a seated position.

Customer's Own Material (COM)/Customer's Own Leather (COL) requires the following:

Type—COM—COL

SZ3CRN—14½ yards—261 square feet

SZ3CRQ—14½ yards—261 square feet

SZ3CLN—14½ yards—261 square feet

SZ3CLQ—14½ yards—261 square feet

SZ3ZRN—15¾ yards—284 square feet

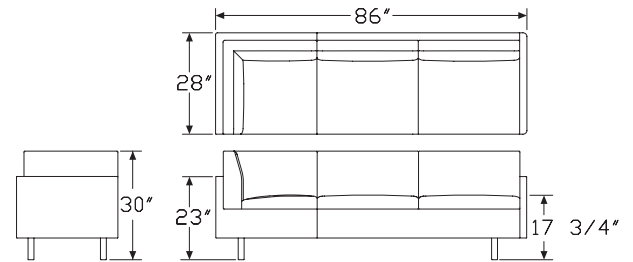
SZ3ZRQ—15¾ yards—284 square feet

SZ3ZLN—15¾ yards—284 square feet

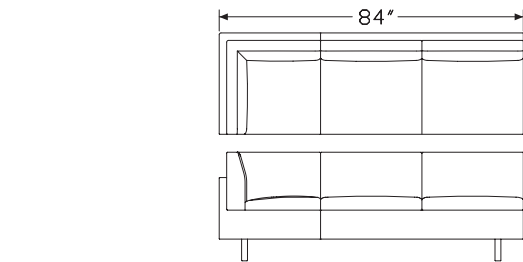
SZ3ZLQ—15¾ yards—284 square feet

See Order Information in Appendices for more information.

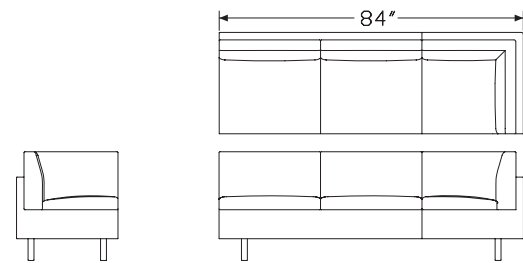
Dimensions



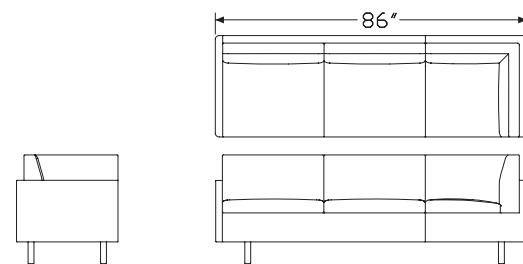
Corner Sofa with Arm - Right



Corner Sofa - Right



Corner Sofa - Left



Corner Sofa with Arm - Left

Tuxedo Classic Corner Sofa

continued

HermanMiller Ancillary-Sofas

Specification Information

Step 1.

SZ3 A

Step 2. Arms

CL corner left A

CR corner right A

ZL corner on left with arm on right A

ZR corner on right with arm on left A

Step 3. Upholstery Type

N not quilted A

Q quilted A

Prices for Steps 1-3.

SZ3CL N	\$7489
Q	\$8105

SZ3CR N	\$7489
Q	\$8105

SZ3ZL N	\$7988
Q	\$8610

SZ3ZR N	\$7988
Q	\$8610

Step 4. Fabric

For not quilted (N)

Price Category (Geiger) 11	+\$7511
Price Category P	+\$6873
Price Category (Geiger) 1	+\$0
Price Category 1	+\$0
Price Category (Geiger) 2	+\$844
Price Category 2	+\$844
Price Category (Geiger) 3	+\$1058
Price Category 3	+\$1058
Price Category (Geiger) 4	+\$1291
Price Category 4	+\$1291
Price Category (Geiger) 5	+\$1883
Price Category 5	+\$1883
Price Category (Geiger) 6	+\$2474
Price Category (Geiger) 7	+\$3066
Price Category (Geiger) 8	+\$4696
Price Category (Geiger) 9	+\$5826
Price Category 9	+\$5826

Price Category (Geiger) 10	+\$6703
Price Category 14	+\$9848
Price Category (Geiger) D	+\$1255
Price Category D	+\$1218
Price Category (Geiger) E	+\$1524
Price Category E	+\$1524
Price Category (Geiger) F	+\$1829
Price Category F	+\$1829
Price Category (Geiger) G	+\$2492
Price Category G	+\$2492
Price Category (Geiger) H	+\$3102
Price Category (Geiger) I	+\$3746
Price Category (Geiger) J	+\$4392
Price Category (Geiger) K	+\$5038
Price Category (Geiger) L	+\$5682
Price Category (Geiger) M	+\$6328
Price Category (Geiger) R	+\$13262
Price Category (Geiger) COM <input type="checkbox"/> A	+\$0
Price Category (Geiger) COL <input type="checkbox"/> A	+\$1253

Tuxedo Classic Corner Sofa

continued

For quilted (Q)

Price Category (Geiger) 11	+\$7511
Price Category (Geiger) 1	+\$0
Price Category 1	+\$0
Price Category 2	+\$844
Price Category (Geiger) 2	+\$844
Price Category 3	+\$1058
Price Category (Geiger) 3	+\$1058
Price Category 4	+\$1291
Price Category (Geiger) 4	+\$1291
Price Category 5	+\$1883
Price Category (Geiger) 5	+\$1883
Price Category (Geiger) 6	+\$2474
Price Category (Geiger) 7	+\$3066
Price Category (Geiger) 8	+\$4696
Price Category 9	+\$5826
Price Category (Geiger) 9	+\$5826
Price Category (Geiger) 10	+\$6703
Price Category 14	+\$9848
Price Category D	+\$1218
Price Category (Geiger) D	+\$1255
Price Category F	+\$1829
Price Category (Geiger) F	+\$1829
Price Category G	+\$2492
Price Category (Geiger) G	+\$2492
Price Category (Geiger) H	+\$3102
Price Category (Geiger) I	+\$3746
Price Category (Geiger) K	+\$5038
Price Category (Geiger) L	+\$5682
Price Category (Geiger) M	+\$6328
Price Category (Geiger) R	+\$13262
Price Category (Geiger) COL <input type="checkbox"/>	+\$1253
Price Category (Geiger) COM <input type="checkbox"/>	+\$0

Step 5. Base Finish

Matte Finishes

662	toasted walnut, matte sheen <input type="checkbox"/>	+\$0
663	charred walnut, matte sheen <input type="checkbox"/>	+\$0
664	bronzed walnut, matte sheen <input type="checkbox"/>	+\$0
665	smoked walnut, matte sheen <input type="checkbox"/>	+\$0
666	coffee walnut, matte sheen <input type="checkbox"/>	+\$0
667	smoked paldao, quarter cut, matte sheen <input type="checkbox"/>	+\$0
669	warm paldao, quarter cut, matte sheen <input type="checkbox"/>	+\$0
66A	recograin frosty ash <input type="checkbox"/>	+\$0
677	chocolate ash, matte sheen <input type="checkbox"/>	+\$0
68R	recograin rosewood <input type="checkbox"/>	+\$0

69A	recograin frosty ash <input type="checkbox"/>	+\$0
69R	recograin rosewood <input type="checkbox"/>	+\$0
69T	recograin teak <input type="checkbox"/>	+\$0
6K1	rift oak <input type="checkbox"/>	+\$0
ET	clear on ash <input type="checkbox"/>	+\$0
EU	oak on ash <input type="checkbox"/>	+\$0
EV	walnut on ash <input type="checkbox"/>	+\$0
GOU	natural walnut, flat cut, matte sheen <input type="checkbox"/>	+\$0
6A1	white ash <input type="checkbox"/>	+\$0
6K6	burnt oak <input type="checkbox"/>	+\$0
932	sundance anigre <input type="checkbox"/>	+\$0
933	caramel anigre <input type="checkbox"/>	+\$0
934	henna anigre <input type="checkbox"/>	+\$0
940	sundance cherry on maple <input type="checkbox"/>	+\$0
962	toasted walnut, low sheen <input type="checkbox"/>	+\$0
963	charred walnut, low sheen <input type="checkbox"/>	+\$0
964	bronzed walnut, low sheen <input type="checkbox"/>	+\$0
965	smoked walnut, low sheen <input type="checkbox"/>	+\$0
966	coffee walnut, low sheen <input type="checkbox"/>	+\$0
967	smoked paldao, low sheen <input type="checkbox"/>	+\$0
969	warm paldao, low sheen <input type="checkbox"/>	+\$0
972	sundance walnut <input type="checkbox"/>	+\$0
977	chocolate ash, low sheen <input type="checkbox"/>	+\$0
98R	recograin rosewood <input type="checkbox"/>	+\$0
991	champagne ash <input type="checkbox"/>	+\$0
99A	recograin frosty ash <input type="checkbox"/>	+\$0
99R	recograin rosewood <input type="checkbox"/>	+\$0
99T	recograin teak <input type="checkbox"/>	+\$0
9A1	white ash, quarter cut, low sheen <input type="checkbox"/>	+\$0
9K1	rift oak, rift cut, low sheen <input type="checkbox"/>	+\$0
9K6	burnt oak, rift cut, low sheen <input type="checkbox"/>	+\$0
G2U	light brown walnut, low sheen <input type="checkbox"/>	+\$0
G40	dark brown walnut, low sheen <input type="checkbox"/>	+\$0
943	caramel cherry <input type="checkbox"/>	+\$0
946	cocoa cherry <input type="checkbox"/>	+\$0
956	cocoa sapele <input type="checkbox"/>	+\$0
998	ebony ash <input type="checkbox"/>	+\$0
68W	recograin walnut, flat cut, matte sheen <input type="checkbox"/>	+\$0
69W	recograin walnut, quarter cut, matte sheen <input type="checkbox"/>	+\$0
98W	recograin walnut, flat cut, low sheen <input type="checkbox"/>	+\$0
99W	recograin walnut, quarter cut, low sheen <input type="checkbox"/>	+\$0

Step 6. Fire Retardancy

For corner left (CL) or corner right (CR)

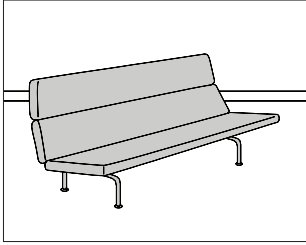
NOCAL	no cal-133 required <input type="checkbox"/>	+\$0
--------------	--	------

Tuxedo Classic Corner Sofa

continued

For corner on left with arm on right (ZL) or corner on right with arm on left (ZR)

NOCAL no cal-133 required A +\$0



Product Information

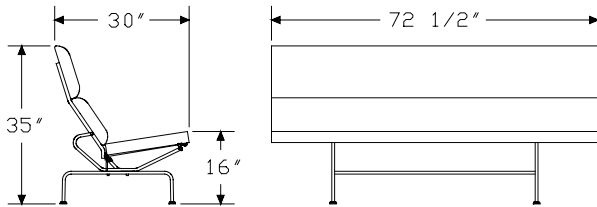
Description

This sofa has 2 1/2"-thick upholstered foam cushions supported by a black enameled frame. It has polished chrome-plated legs and stainless steel glides. All fabrics are railroaded.

Notes

Customer's Own Material (COM) requires 6 yards. See Order Information in Appendices.

Dimensions



Specification Information

Step 1.

473 A \$8188

Step 2. Fabric

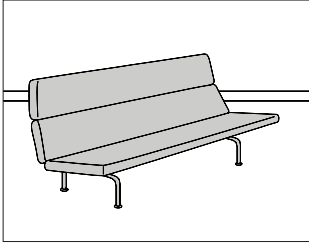
See application chart and textiles list for fabric usage and numbers.

First 2 digits of number indicate fabric line; remaining digit(s) indicate fabric color.

Price Category 1	+\$0
Price Category 2	+\$120
Price Category (Geiger) 2	+\$120
Price Category 3	+\$167
Price Category (Geiger) 3	+\$167
Price Category 4	+\$312
Price Category (Geiger) 4	+\$312
Price Category 5	+\$509
Price Category (Geiger) 5	+\$647
Price Category 6	+\$730
Price Category (Geiger) 6	+\$876
Price Category 7	+\$928
Price Category (Geiger) 7	+\$1196
Price Category 8	+\$1944
Price Category (Geiger) 8	+\$1944
Price Category 9	+\$704
Price Category 10	+\$2329
Price Category 14	+\$3048
Price Category B	+\$202
Price Category C	+\$301
Price Category D	+\$401
Price Category E	+\$502
Price Category F	+\$656
Price Category G	+\$852
Price Category H	+\$1037
Price Category I	+\$1218
Price Category J	+\$1400
Price Category K	+\$1582
Price Category L	+\$1764
Price Category M	+\$1945
Price Category N	+\$2128
Price Category O	+\$2309
Price Category P	+\$2491
Price Category Q	+\$2682
Price Category R	+\$4357
Price Category S	+\$3082
Price Category X	+\$5928
Price Category Y	+\$6242
Price Category Z	+\$3816

HermanMiller Ancillary-Sofas

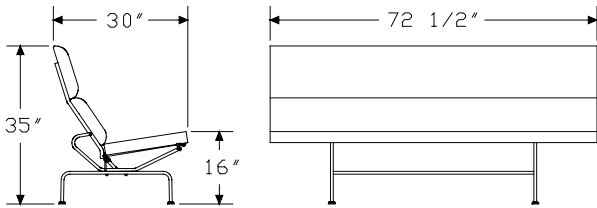
Eames® Sofa Compact, Herman Miller x HAY 473X



Product Information

Description
 This sofa has 2½"-thick upholstered foam cushions supported by a black blue enameled frame.

Dimensions



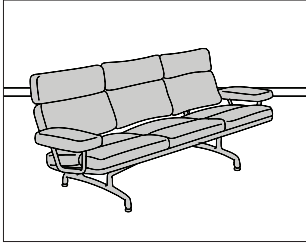
Specification Information

Step 1.
473X A \$9952

Step 2. Fabric
 See application chart and textiles list for fabric usage and numbers.
 First 2 digits of number indicate fabric line; remaining digit(s) indicate fabric color.
 Price Category L +\$0

Eames® Sofa

ES108
ES110



Product Information

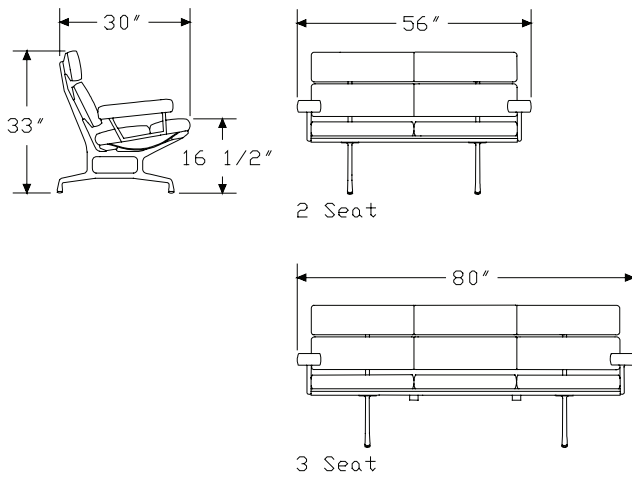
Description

This sofa has 2" thick upholstered foam cushions and a polished chrome-plated frame with nylon glides. The back panels are hand-finished solid walnut or solid teak.

Notes

Customer's Own Material (COM) requires 4½ yards for 2-seat sofa and 6½ yards for 3-seat sofa. Customer's Own Leather (COL) requires 100 square feet for 2-seat sofa and 125 square feet for 3-seat sofa. See Order Information in Appendices.

Dimensions



Specification Information

Step 1.

ES1 A

Step 2. Number of Seats

08 3 seats A

10 2 seats A

Prices for Steps 1-2.

ES108 \$16360

ES110 \$14914

Step 3. Back Finish

For 3 seats (08)

5Q oiled walnut A +\$0

OT teak A +\$775

For 2 seats (10)

5Q oiled walnut A +\$0

OT teak A +\$725

Step 4. Base Finish

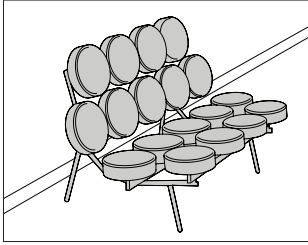
CD polished aluminum A +\$0

HermanMiller Ancillary Sofas

Step 5. Fabric
 See application chart and textiles list for fabric usage and numbers.
 First 2 digits of number indicate fabric line; remaining digit(s) indicate fabric color.

<i>For 3 seats (08)</i>	
Price Category 1 A	+\$0
Price Category 4	+\$412
Price Category (Geiger) 4	+\$412
Price Category 5	+\$689
Price Category 7	+\$752
Price Category (Geiger) 7	+\$752
Price Category 8	+\$1217
Price Category 9	+\$1992
Price Category (Geiger) 10	+\$1632
Price Category 10M	+\$3517
Price Category 11	+\$2788
Price Category (Geiger) 11	+\$2788
Price Category C	+\$362
Price Category E	+\$554
Price Category F	+\$716
Price Category G	+\$931
Price Category H	+\$1132
Price Category I	+\$1330
Price Category J	+\$1529
Price Category K	+\$1727
Price Category L	+\$1925
Price Category M	+\$2124
Price Category N	+\$2322
Price Category O	+\$2520
Price Category P	+\$2719
Price Category Q	+\$2927
Price Category R	+\$4548
Price Category S	+\$3364
Price Category T	+\$5169
Price Category V	+\$7301
Price Category Z	+\$4954

<i>For 2 seats (10)</i>	
Price Category 1 A	+\$0
Price Category 4	+\$337
Price Category (Geiger) 4	+\$337
Price Category 5	+\$608
Price Category 7	+\$638
Price Category (Geiger) 7	+\$638
Price Category 8	+\$972
Price Category 9	+\$1572
Price Category (Geiger) 10	+\$1776
Price Category 10M	+\$2814
Price Category 11	+\$2137
Price Category (Geiger) 11	+\$2137
Price Category C	+\$350
Price Category E	+\$554
Price Category F	+\$716
Price Category G	+\$847
Price Category H	+\$1132
Price Category I	+\$1330
Price Category J	+\$1529
Price Category K	+\$1727
Price Category L	+\$1925
Price Category M	+\$2124
Price Category N	+\$2322
Price Category O	+\$2520
Price Category P	+\$2719
Price Category Q	+\$2927
Price Category R	+\$3122
Price Category S	+\$3364
Price Category T	+\$3545
Price Category V	+\$4867
Price Category Z	+\$7633



Product Information

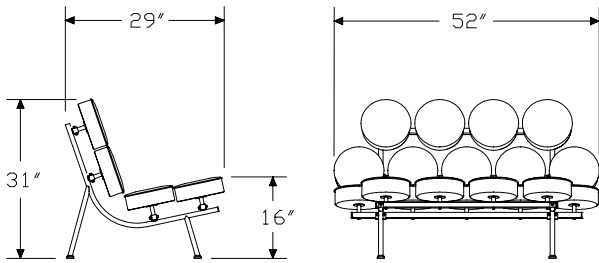
Description

This upholstered sofa has 18 circular cushions on the back and seat, a brushed-finish tubular-steel frame, and black-satin-finish legs.

Notes

Customer's Own Material (COM) requires 3¾ yards. Customer's Own Leather (COL) requires 62 square feet. See Order Information in Appendices.

Dimensions



Specification Information

Step 1.

5670 [A] \$7823

Step 2. Fabric

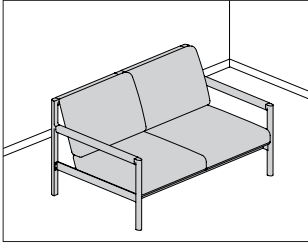
See application chart and textiles list for fabric usage and numbers.

First 2 digits of number indicate fabric line; remaining digit(s) indicate fabric color.

Price Category 1 [A]	+\$0
Price Category 2	+\$0
Price Category 7 [A]	+\$1236
Price Category 9	+\$1730
Price Category 11	+\$1904
Price Category (Geiger) 11	+\$1904

Brabo Settee

SVV5A
SVV5W



Product Information

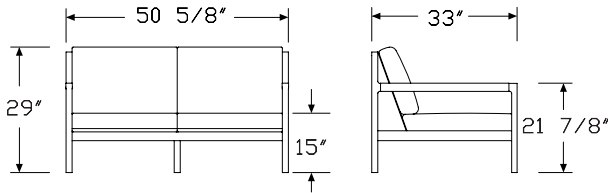
Description

This settee has a solid ash or solid walnut frame with steel-plated metal, leather sling and arm wrap, and upholstered foam cushions.

Notes

Customers Own Material (COM) requires 4 yards for the back and seat cushions. Customers Own Leather (COL) requires 72 square feet for the back and seat cushions, and an additional 54 square feet for the sling and arm wrap. See Order Information in Appendices.

Dimensions



HermanMiller Ancillary - Sofas

Specification Information

Step 1.

SVV5 A

Step 2. Frame Finish

A ash A

W walnut A

Prices for Steps 1-2.

SVV5A \$6573
SVV5W \$6861

Step 3. Wood Finish

Anigre Veneer - Low Sheen

For ash (A)

967 smoked paldao, low sheen A +\$0
969 warm paldao, low sheen A +\$0

Premium Veneer - Low Sheen

For ash (A)

940 sundance cherry on maple A +\$0
943 caramel cherry A +\$0
946 cocoa cherry A +\$0
956 cocoa sapele A +\$0
962 toasted walnut, low sheen A +\$0
963 charred walnut, low sheen A +\$0
964 bronzed walnut, low sheen A +\$0
965 smoked walnut, low sheen A +\$0
966 coffee walnut, low sheen A +\$0
977 chocolate ash, low sheen A +\$0
98R recograin rosewood A +\$0
991 champagne ash A +\$0
998 ebony ash A +\$0
99A recograin frosty ash A +\$0
99R recograin rosewood A +\$0
99T recograin teak A +\$0
9A1 white ash, quarter cut, low sheen A +\$0
9K1 rift oak, rift cut, low sheen A +\$0
9K6 burnt oak, rift cut, low sheen A +\$0
G2U light brown walnut, low sheen A +\$0
G40 dark brown walnut, low sheen A +\$0

Premium Veneer - Matte		
<i>For ash (A)</i>		
66A	recograin frosty ash <input type="checkbox"/>	+\$0
677	chocolate ash, matte sheen <input type="checkbox"/>	+\$0
68R	recograin rosewood <input type="checkbox"/>	+\$0
69A	recograin frosty ash <input type="checkbox"/>	+\$0
69R	recograin rosewood <input type="checkbox"/>	+\$0
69T	recograin teak <input type="checkbox"/>	+\$0
6A1	white ash <input type="checkbox"/>	+\$0
6K1	rift oak <input type="checkbox"/>	+\$0
6K6	burnt oak <input type="checkbox"/>	+\$0
ET	clear on ash <input type="checkbox"/>	+\$0
EU	oak on ash <input type="checkbox"/>	+\$0
EV	walnut on ash <input type="checkbox"/>	+\$0
GOU	natural walnut, flat cut, matte sheen <input type="checkbox"/>	+\$0

RecoGrain Veneer		
<i>For ash (A)</i>		
68W	recograin walnut, flat cut, matte sheen <input type="checkbox"/>	+\$0
69W	recograin walnut, quarter cut, matte sheen <input type="checkbox"/>	+\$0

Recon Veneer -		
<i>For ash (A)</i>		
98W	recograin walnut, flat cut, low sheen <input type="checkbox"/>	+\$0
99W	recograin walnut, quarter cut, low sheen <input type="checkbox"/>	+\$0

Premium Veneer - Low Sheen		
<i>For walnut (W)</i>		
962	toasted walnut, low sheen <input type="checkbox"/>	+\$0
963	charred walnut, low sheen <input type="checkbox"/>	+\$0
964	bronzed walnut, low sheen <input type="checkbox"/>	+\$0
965	smoked walnut, low sheen <input type="checkbox"/>	+\$0
966	coffee walnut, low sheen <input type="checkbox"/>	+\$0
972	sundance walnut <input type="checkbox"/>	+\$0
98R	recograin rosewood <input type="checkbox"/>	+\$0
99R	recograin rosewood <input type="checkbox"/>	+\$0
G2U	light brown walnut, low sheen <input type="checkbox"/>	+\$0
G40	dark brown walnut, low sheen <input type="checkbox"/>	+\$0

Premium Veneer - Matte		
<i>For walnut (W)</i>		
662	toasted walnut, matte sheen <input type="checkbox"/>	+\$0
663	charred walnut, matte sheen <input type="checkbox"/>	+\$0
664	bronzed walnut, matte sheen <input type="checkbox"/>	+\$0
665	smoked walnut, matte sheen <input type="checkbox"/>	+\$0
666	coffee walnut, matte sheen <input type="checkbox"/>	+\$0
667	smoked paldao, quarter cut, matte sheen <input type="checkbox"/>	+\$0
669	warm paldao, quarter cut, matte sheen <input type="checkbox"/>	+\$0
68R	recograin rosewood <input type="checkbox"/>	+\$0
69R	recograin rosewood <input type="checkbox"/>	+\$0
GOU	natural walnut, flat cut, matte sheen <input type="checkbox"/>	+\$0

Anigre Veneer - Low Sheen		
<i>For walnut (W)</i>		
967	smoked paldao, low sheen <input type="checkbox"/>	+\$0
969	warm paldao, low sheen <input type="checkbox"/>	+\$0

Step 4. Seat/Back Fabric		
Price Category (Geiger) 1		+\$0
Price Category 1		+\$0
Price Category 2		+\$233
Price Category (Geiger) 2		+\$233
Price Category 3		+\$293
Price Category (Geiger) 3		+\$293
Price Category 4		+\$356
Price Category (Geiger) 4		+\$356
Price Category 5		+\$233
Price Category (Geiger) 5		+\$520
Price Category (Geiger) 6		+\$683
Price Category (Geiger) 7		+\$846
Price Category (Geiger) 8		+\$1296
Price Category 9		+\$1607
Price Category (Geiger) 9		+\$1607
Price Category (Geiger) 10		+\$1849
Price Category (Geiger) 11		+\$2072
Price Category (Geiger) 14		+\$2717
Price Category (Geiger) C		+\$263
Price Category D		+\$347
Price Category (Geiger) D		+\$347
Price Category (Geiger) E		+\$688
Price Category F		+\$505
Price Category (Geiger) F		+\$505
Price Category G		+\$688
Price Category (Geiger) G		+\$688
Price Category (Geiger) H		+\$856
Price Category (Geiger) I		+\$1034

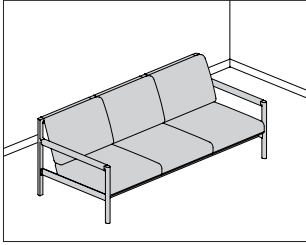
Brabo Settee *continued*

HermanMiller Ancillary-Sofas

Price Category (Geiger) J	+\$1212
Price Category (Geiger) K	+\$1390
Price Category (Geiger) L	+\$1568
Price Category (Geiger) M	+\$1746
Price Category (Geiger) N	+\$1924
Price Category (Geiger) O	+\$2101
Price Category (Geiger) P	+\$2275
Price Category (Geiger) Q	+\$2626
Price Category (Geiger) R	+\$3659
Price Category (Geiger) S	+\$3931
Price Category (Geiger) T	+\$4202
Price Category (Geiger) U	+\$4475
Price Category (Geiger) X	+\$5291
Price Category (Geiger) Y	+\$5562
Price Category (Geiger) Z	+\$5837
Price Category (Geiger) COL <input type="checkbox"/>	+\$259
Price Category (Geiger) COM <input type="checkbox"/>	+\$0
<hr/>	
Step 5. Sling/Arm Leather	
Price Category (Geiger) 10	+\$1849
Price Category (Geiger) 11	+\$1554
<hr/>	
Step 6. Base Finish	
CHR chrome <input type="checkbox"/>	+\$0
SAC satin chrome <input type="checkbox"/>	+\$0
<hr/>	
Step 7. Fire Retardancy	
NOCAL no cal-133 required <input type="checkbox"/>	+\$0

Brabo Sofa

SVV6A
SVV6W



Product Information

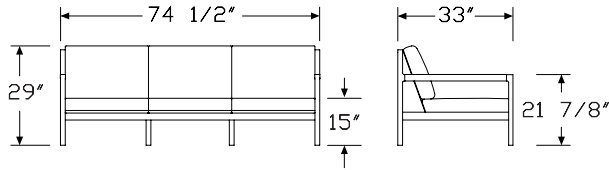
Description

This sofa has a solid ash or solid walnut frame with steel-plated metal, leather sling and arm wrap, and upholstered foam cushions.

Notes

Customers Own Material (COM) requires 6 yards for the back and seat cushions. Customers Own Leather (COL) requires 108 square feet for the back and seat cushions, and an additional 81 square feet for the sling and arm wrap. See Order Information in Appendices.

Dimensions



Specification Information

Step 1.

SVV6

Step 2. Frame Finish

A ash

W walnut

Prices for Steps 1-2.

SVV6A	\$8795
SVV6W	\$9168

Step 3. Wood Finish

Anigre Veneer - Low Sheen

For ash (A)

967	smoked paldao, low sheen <input type="checkbox"/>	+\$0
969	warm paldao, low sheen <input type="checkbox"/>	+\$0

Premium Veneer - Low Sheen

For ash (A)

940	sundance cherry on maple <input type="checkbox"/>	+\$0
943	caramel cherry <input type="checkbox"/>	+\$0
946	cocoa cherry <input type="checkbox"/>	+\$0
956	cocoa sapele <input type="checkbox"/>	+\$0
962	toasted walnut, low sheen <input type="checkbox"/>	+\$0
963	charred walnut, low sheen <input type="checkbox"/>	+\$0
964	bronzed walnut, low sheen <input type="checkbox"/>	+\$0
965	smoked walnut, low sheen <input type="checkbox"/>	+\$0
966	coffee walnut, low sheen <input type="checkbox"/>	+\$0
977	chocolate ash, low sheen <input type="checkbox"/>	+\$0
98R	recograin rosewood <input type="checkbox"/>	+\$0
991	champagne ash <input type="checkbox"/>	+\$0
998	ebony ash <input type="checkbox"/>	+\$0
99A	recograin frosty ash <input type="checkbox"/>	+\$0
99R	recograin rosewood <input type="checkbox"/>	+\$0
99T	recograin teak <input type="checkbox"/>	+\$0
9A1	white ash, quarter cut, low sheen <input type="checkbox"/>	+\$0
9K1	rift oak, rift cut, low sheen <input type="checkbox"/>	+\$0
9K6	burnt oak, rift cut, low sheen <input type="checkbox"/>	+\$0
G2U	light brown walnut, low sheen <input type="checkbox"/>	+\$0
G40	dark brown walnut, low sheen <input type="checkbox"/>	+\$0

HermanMiller Ancillary-Sofas

Premium Veneer - Matte		
<i>For ash (A)</i>		
66A	recograin frosty ash <input type="checkbox"/>	+\$0
677	chocolate ash, matte sheen <input type="checkbox"/>	+\$0
68R	recograin rosewood <input type="checkbox"/>	+\$0
69A	recograin frosty ash <input type="checkbox"/>	+\$0
69R	recograin rosewood <input type="checkbox"/>	+\$0
69T	recograin teak <input type="checkbox"/>	+\$0
6A1	white ash <input type="checkbox"/>	+\$0
6K1	rift oak <input type="checkbox"/>	+\$0
6K6	burnt oak <input type="checkbox"/>	+\$0
ET	clear on ash <input type="checkbox"/>	+\$0
EU	oak on ash <input type="checkbox"/>	+\$0
EV	walnut on ash <input type="checkbox"/>	+\$0
GOU	natural walnut, flat cut, matte sheen <input type="checkbox"/>	+\$0

RecoGrain Veneer		
<i>For ash (A)</i>		
68W	recograin walnut, flat cut, matte sheen <input type="checkbox"/>	+\$0
69W	recograin walnut, quarter cut, matte sheen <input type="checkbox"/>	+\$0

Recon Veneer -		
<i>For ash (A)</i>		
98W	recograin walnut, flat cut, low sheen <input type="checkbox"/>	+\$0
99W	recograin walnut, quarter cut, low sheen <input type="checkbox"/>	+\$0

Anigre Veneer - Low Sheen		
<i>For walnut (W)</i>		
967	smoked paldao, low sheen <input type="checkbox"/>	+\$0
969	warm paldao, low sheen <input type="checkbox"/>	+\$0

Premium Veneer - Low Sheen		
<i>For walnut (W)</i>		
962	toasted walnut, low sheen <input type="checkbox"/>	+\$0
963	charred walnut, low sheen <input type="checkbox"/>	+\$0
964	bronzed walnut, low sheen <input type="checkbox"/>	+\$0
965	smoked walnut, low sheen <input type="checkbox"/>	+\$0
966	coffee walnut, low sheen <input type="checkbox"/>	+\$0
972	sundance walnut <input type="checkbox"/>	+\$0
98R	recograin rosewood <input type="checkbox"/>	+\$0
99R	recograin rosewood <input type="checkbox"/>	+\$0

Premium Veneer - Matte		
<i>For walnut (W)</i>		
662	toasted walnut, matte sheen <input type="checkbox"/>	+\$0
663	charred walnut, matte sheen <input type="checkbox"/>	+\$0
664	bronzed walnut, matte sheen <input type="checkbox"/>	+\$0
665	smoked walnut, matte sheen <input type="checkbox"/>	+\$0
666	coffee walnut, matte sheen <input type="checkbox"/>	+\$0
667	smoked paldao, quarter cut, matte sheen <input type="checkbox"/>	+\$0
669	warm paldao, quarter cut, matte sheen <input type="checkbox"/>	+\$0
68R	recograin rosewood <input type="checkbox"/>	+\$0
69R	recograin rosewood <input type="checkbox"/>	+\$0

Matte Wood Finishes		
<i>For walnut (W)</i>		
GOU	natural walnut, flat cut, matte sheen <input type="checkbox"/>	+\$0

Step 4. Seat/Back Fabric	
Price Category (Geiger) 1	+\$0
Price Category 1	+\$0
Price Category 2	+\$349
Price Category (Geiger) 2	+\$349
Price Category 3	+\$438
Price Category (Geiger) 3	+\$438
Price Category 4	+\$534
Price Category (Geiger) 4	+\$534
Price Category 5	+\$520
Price Category (Geiger) 5	+\$779
Price Category (Geiger) 6	+\$1024
Price Category (Geiger) 7	+\$1268
Price Category (Geiger) 8	+\$1944
Price Category 9	+\$2411
Price Category (Geiger) 9	+\$2411
Price Category (Geiger) 10	+\$2774
Price Category (Geiger) 11	+\$3108
Price Category (Geiger) 14	+\$4075
Price Category (Geiger) C	+\$394
Price Category D	+\$520
Price Category (Geiger) D	+\$520
Price Category (Geiger) E	+\$631
Price Category F	+\$757
Price Category (Geiger) F	+\$757
Price Category G	+\$1032
Price Category (Geiger) G	+\$1032
Price Category (Geiger) H	+\$1284
Price Category (Geiger) I	+\$1550
Price Category (Geiger) J	+\$1818
Price Category (Geiger) K	+\$2084

Brabo Sofa *continued*

Price Category (Geiger) L	+\$2352
Price Category (Geiger) M	+\$2618
Price Category (Geiger) N	+\$2886
Price Category (Geiger) O	+\$3152
Price Category (Geiger) P	+\$3412
Price Category (Geiger) Q	+\$3938
Price Category (Geiger) R	+\$5489
Price Category (Geiger) S	+\$5897
Price Category (Geiger) T	+\$6304
Price Category (Geiger) U	+\$6712
Price Category (Geiger) X	+\$7936
Price Category (Geiger) Y	+\$8344
Price Category (Geiger) Z	+\$8755
Price Category (Geiger) COL <input type="checkbox"/>	+\$389
Price Category (Geiger) COM <input type="checkbox"/>	+\$0

Step 5. Sling/Arm Leather

Price Category (Geiger) 10	+\$2774
Price Category (Geiger) 11	+\$2332

Step 6. Base Finish

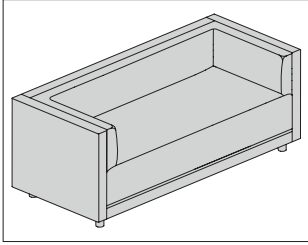
CHR chrome <input type="checkbox"/>	+\$0
SAC satin chrome <input type="checkbox"/>	+\$0

Step 7. Fire Retardancy

NOCAL no cal-133 required <input type="checkbox"/>	+\$0
---	------

Rolled Arm Sofa

SBRA-



Product Information

Description

This sofa is made of plywood with Dacron® on the seat and back. The arms consist of Dacron and polyfoam. The legs are solid ash or walnut.

Notes

Customer's Own Material (COM) and Customer's Own Leather (COL) require the following. See Order Information in Appendices for additional information.

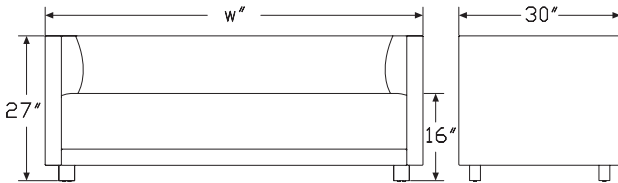
Width—COM—COL

72"—9 yards—162 square feet

84"—11 yards—198 square feet

96"—12½ yards—225 square feet

Dimensions



HermanMiller Ancillary—Sofas

Specification Information

Step 1.

SBRA

Step 2. Size

-72 72" wide

-84 84" wide

-96 96" wide

Prices for Steps 1-2.

SBRA-72	\$6540
SBRA-84	\$6841
SBRA-96	\$7385

Step 3. Wood Finish

Premium Veneer - Low Sheen

932	sundance anigre <input type="checkbox"/>	+\$0
933	caramel anigre <input type="checkbox"/>	+\$0
934	henna anigre <input type="checkbox"/>	+\$0
940	sundance cherry on maple <input type="checkbox"/>	+\$0
943	caramel cherry <input type="checkbox"/>	+\$0
946	cocoa cherry <input type="checkbox"/>	+\$0
956	cocoa sapele <input type="checkbox"/>	+\$0
962	toasted walnut, low sheen <input type="checkbox"/>	+\$0
963	charred walnut, low sheen <input type="checkbox"/>	+\$0
964	bronzed walnut, low sheen <input type="checkbox"/>	+\$0
965	smoked walnut, low sheen <input type="checkbox"/>	+\$0
966	coffee walnut, low sheen <input type="checkbox"/>	+\$0
967	smoked paldao, low sheen <input type="checkbox"/>	+\$0
969	warm paldao, low sheen <input type="checkbox"/>	+\$0
972	sundance walnut <input type="checkbox"/>	+\$0
977	chocolate ash, low sheen <input type="checkbox"/>	+\$0
98R	recograin rosewood <input type="checkbox"/>	+\$0
991	champagne ash <input type="checkbox"/>	+\$0
998	ebony ash <input type="checkbox"/>	+\$0
99A	recograin frosty ash <input type="checkbox"/>	+\$0
99R	recograin rosewood <input type="checkbox"/>	+\$0
99T	recograin teak <input type="checkbox"/>	+\$0
9A1	white ash, quarter cut, low sheen <input type="checkbox"/>	+\$0
9K1	rift oak, rift cut, low sheen <input type="checkbox"/>	+\$0
9K6	burnt oak, rift cut, low sheen <input type="checkbox"/>	+\$0
G2U	light brown walnut, low sheen <input type="checkbox"/>	+\$0
G40	dark brown walnut, low sheen <input type="checkbox"/>	+\$0

Rolled Arm Sofa *continued*

Premium Veneer - Matte

662	toasted walnut, matte sheen A	+\$0
663	charred walnut, matte sheen A	+\$0
664	bronzed walnut, matte sheen A	+\$0
665	smoked walnut, matte sheen A	+\$0
666	coffee walnut, matte sheen A	+\$0
667	smoked paldao, quarter cut, matte sheen A	+\$0
669	warm paldao, quarter cut, matte sheen A	+\$0
66A	recograin frosty ash A	+\$0
677	chocolate ash, matte sheen A	+\$0
68R	recograin rosewood A	+\$0
69A	recograin frosty ash A	+\$0
69R	recograin rosewood A	+\$0
69T	recograin teak A	+\$0
6A1	white ash A	+\$0
6K1	rift oak A	+\$0
6K6	burnt oak A	+\$0
ET	clear on ash A	+\$0
EU	oak on ash A	+\$0
EV	walnut on ash A	+\$0
GOU	natural walnut, flat cut, matte sheen A	+\$0

RecoGrain Veneer

68W	recograin walnut, flat cut, matte sheen A	+\$0
69W	recograin walnut, quarter cut, matte sheen A	+\$0

Recon Veneer -

98W	recograin walnut, flat cut, low sheen A	+\$0
99W	recograin walnut, quarter cut, low sheen A	+\$0

Step 4. Upholstery

For 72" wide (-72)

Price Category (Geiger) 1	+\$0
Price Category 1	+\$0
Price Category (Geiger) 2	+\$523
Price Category 2	+\$523
Price Category (Geiger) 3	+\$656
Price Category 3	+\$656
Price Category (Geiger) 4	+\$802
Price Category 4	+\$935
Price Category (Geiger) 5	+\$1169
Price Category 5	+\$1169
Price Category (Geiger) 6	+\$1536
Price Category (Geiger) 7	+\$1903
Price Category (Geiger) 8	+\$2915
Price Category (Geiger) 9	+\$3616

Price Category 9

Price Category (Geiger) 10	+\$4160
Price Category (Geiger) 11	+\$4662
Price Category (Geiger) 14	+\$6108
Price Category (Geiger) C	+\$594
Price Category (Geiger) D	+\$974
Price Category D	+\$974
Price Category (Geiger) E	+\$1104
Price Category (Geiger) F	+\$1234
Price Category F	+\$1234
Price Category G	+\$1364
Price Category (Geiger) G	+\$1364
Price Category (Geiger) H	+\$1494
Price Category (Geiger) I	+\$2326
Price Category (Geiger) J	+\$1687
Price Category (Geiger) K	+\$1883
Price Category (Geiger) L	+\$2077
Price Category (Geiger) N	+\$2596
Price Category (Geiger) P	+\$2856
Price Category (Geiger) Q	+\$5532
Price Category (Geiger) R	+\$8232
Price Category (Geiger) U	+\$10068
Price Category (Geiger) X	+\$11903
Price Category (Geiger) COL A	+\$778
Price Category (Geiger) COM A	+\$0

For 84" wide (-84)

Price Category (Geiger) 1	+\$0
Price Category 1	+\$0
Price Category (Geiger) 2	+\$640
Price Category 2	+\$640
Price Category (Geiger) 3	+\$803
Price Category 3	+\$803
Price Category (Geiger) 4	+\$979
Price Category 4	+\$1024
Price Category (Geiger) 5	+\$1428
Price Category 5	+\$1428
Price Category (Geiger) 6	+\$1877
Price Category (Geiger) 7	+\$2326
Price Category (Geiger) 8	+\$3563
Price Category (Geiger) 9	+\$4420
Price Category 9	+\$4420
Price Category (Geiger) 10	+\$5086
Price Category 10	+\$5095
Price Category (Geiger) 11	+\$5698
Price Category (Geiger) 14	+\$7465
Price Category (Geiger) C	+\$726

Rolled Arm Sofa *continued*

HermanMiller Ancillary-Sofas

Price Category (Geiger) D	+\$1067
Price Category D	+\$1067
Price Category (Geiger) E	+\$1210
Price Category (Geiger) F	+\$1351
Price Category F	+\$1351
Price Category (Geiger) G	+\$1494
Price Category G	+\$1494
Price Category (Geiger) H	+\$1636
Price Category (Geiger) I	+\$2842
Price Category (Geiger) J	+\$1848
Price Category (Geiger) K	+\$2063
Price Category (Geiger) L	+\$2275
Price Category (Geiger) N	+\$2843
Price Category (Geiger) P	+\$3127
Price Category (Geiger) Q	+\$6056
Price Category (Geiger) R	+\$10062
Price Category (Geiger) U	+\$12305
Price Category (Geiger) X	+\$14549
Price Category (Geiger) COL A	+\$950
Price Category (Geiger) COM A	+\$0

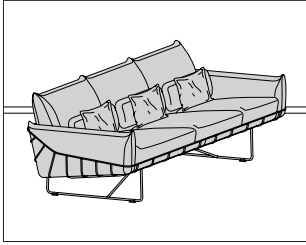
For 96" wide (-96)

Price Category (Geiger) 1	+\$0
Price Category 1	+\$0
Price Category (Geiger) 2	+\$727
Price Category 2	+\$727
Price Category (Geiger) 3	+\$913
Price Category 3	+\$913
Price Category (Geiger) 4	+\$1112
Price Category 4	+\$1112
Price Category (Geiger) 5	+\$1624
Price Category 5	+\$1624
Price Category (Geiger) 6	+\$2132
Price Category (Geiger) 7	+\$2644
Price Category (Geiger) 8	+\$4049
Price Category (Geiger) 9	+\$5022
Price Category 9	+\$5022
Price Category (Geiger) 10	+\$5779
Price Category (Geiger) 11	+\$6475
Price Category (Geiger) 14	+\$8483
Price Category (Geiger) C	+\$826
Price Category (Geiger) D	+\$1160
Price Category D	+\$1160
Price Category (Geiger) E	+\$1314
Price Category (Geiger) F	+\$1469
Price Category F	+\$1469
Price Category (Geiger) G	+\$1624

Price Category G	+\$1624
Price Category (Geiger) H	+\$1778
Price Category (Geiger) I	+\$3230
Price Category (Geiger) J	+\$2009
Price Category (Geiger) K	+\$2242
Price Category (Geiger) L	+\$2472
Price Category (Geiger) N	+\$3090
Price Category (Geiger) P	+\$3400
Price Category (Geiger) Q	+\$6582
Price Category (Geiger) R	+\$11434
Price Category (Geiger) U	+\$13984
Price Category (Geiger) X	+\$16532
Price Category (Geiger) COL A	+\$1080
Price Category (Geiger) COM A	+\$0

Step 5. Fire Retardancy

NOCAL no cal-133 required A	+\$0
--	------



Product Information

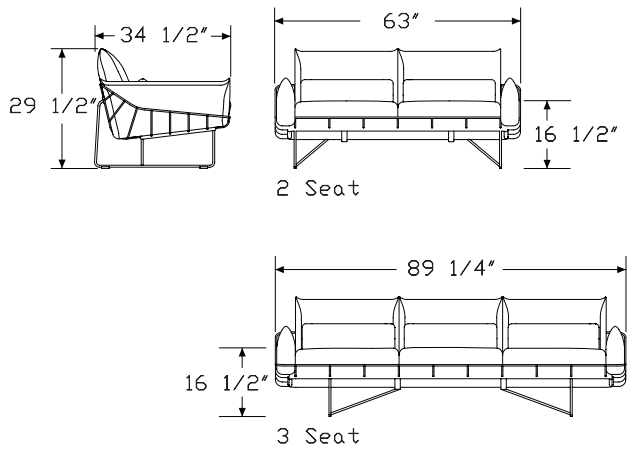
Description

This sofa has contoured cushions on a separate wire frame structure, featuring SuperSeat™ technology. It is available in 2-seat or 3-seat configuration. Lumbar and throw pillows included.

Notes

Fire retardant sofa meets CAL 133 requirements.
 COM/COL requires 11 yards/198 square feet per 2-seat sofa, and 14 yards/252 square feet per 3-seat sofa.
 Lumbar and throw pillows are shipped in same material specified for chair cushions.

Dimensions



Specification Information

Step 1.

BK1 A

Step 2. Size

1002 2-seat sofa A

1003 3-seat sofa A

Prices for Steps 1-2.

BK11002	\$7668
BK11003	\$9324

Step 3. Frame Finish

91 white <input type="checkbox"/> A	+\$0
BK black <input type="checkbox"/> A	+\$0

Step 4. Fabric

For 2-seat sofa (1002)

Price Category 1	+\$0
Price Category 2	+\$247
Price Category (Geiger) 2	+\$247
Price Category 3	+\$371
Price Category (Geiger) 3	+\$371
Price Category 4	+\$618
Price Category (Geiger) 4	+\$618
Price Category 5	+\$865
Price Category (Geiger) 5	+\$865
Price Category 6	+\$1175
Price Category (Geiger) 6	+\$1175
Price Category 7	+\$1546
Price Category (Geiger) 7	+\$1546
Price Category 8	+\$1978
Price Category (Geiger) 8	+\$1978
Price Category 9	+\$2411
Price Category (Geiger) 9	+\$2411
Price Category 10	+\$2905
Price Category (Geiger) 10	+\$2905
Price Category 11	+\$3337
Price Category (Geiger) 11	+\$3337
Price Category 14	+\$4636
Price Category B	+\$338
Price Category C	+\$566
Price Category D	+\$776
Price Category E	+\$938
Price Category F	+\$1212
Price Category G	+\$1574

Price Category H	+\$1914
Price Category I	+\$2250
Price Category J	+\$2586
Price Category K	+\$2922
Price Category L	+\$3258
Price Category M	+\$3594
Price Category N	+\$3930
Price Category O	+\$4266
Price Category P	+\$4601
Price Category Q	+\$4954
Price Category R	+\$7042
Price Category S	+\$5693
Price Category T	+\$6062
Price Category U	+\$6432
Price Category X	+\$9582
Price Category Y	+\$10090
Price Category Z	+\$5107

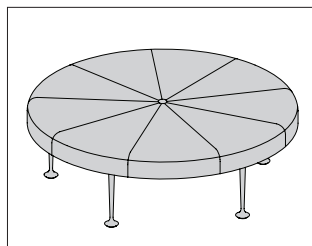
For 3-seat sofa (1003)

Price Category 1	+\$0
Price Category 2	+\$310
Price Category (Geiger) 2	+\$310
Price Category 3	+\$433
Price Category (Geiger) 3	+\$433
Price Category 4	+\$742
Price Category (Geiger) 4	+\$742
Price Category 5	+\$1051
Price Category (Geiger) 5	+\$1051
Price Category 6	+\$1360
Price Category (Geiger) 6	+\$1360
Price Category 7	+\$1854
Price Category (Geiger) 7	+\$1854
Price Category 8	+\$1978
Price Category (Geiger) 8	+\$2411
Price Category 9	+\$2905
Price Category (Geiger) 9	+\$2905
Price Category 10	+\$3461
Price Category (Geiger) 10	+\$3461
Price Category 11	+\$4018
Price Category (Geiger) 11	+\$4018
Price Category 14	+\$5624
Price Category B	+\$431
Price Category C	+\$721
Price Category D	+\$988
Price Category E	+\$1194
Price Category F	+\$1543
Price Category G	+\$2004

Price Category H	+\$2437
Price Category I	+\$2864
Price Category J	+\$3292
Price Category K	+\$3719
Price Category L	+\$4146
Price Category M	+\$4574
Price Category N	+\$5002
Price Category O	+\$5429
Price Category P	+\$5856
Price Category Q	+\$6305
Price Category R	+\$8963
Price Category S	+\$7246
Price Category T	+\$7716
Price Category U	+\$8186
Price Category X	+\$12196
Price Category Y	+\$12842
Price Category Z	+\$6566

Step 5. Fire Retardancy

NOCAL not fire retardant	<input type="checkbox"/> A	+\$0
133 fire retardant	<input type="checkbox"/> A	+\$488

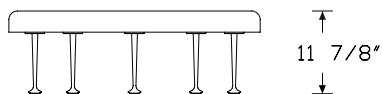
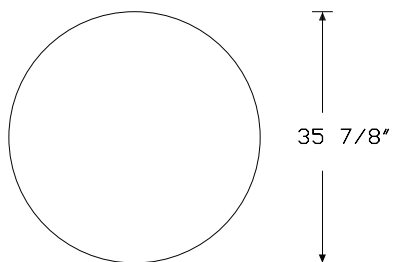


Product Information

Description

This ottoman is upholstered in either Jacobs Coat or a coordinated trio of Hallingdal colors. Legs are polished aluminum and have nonadjustable nylon glides.

Dimensions



Specification Information

Step 1.

66332 A \$2858

Step 2. Base Finish

L polished aluminum A +\$0

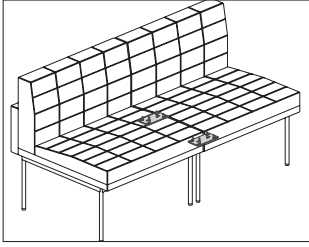
Step 3. Fabric

Price Category 7 +\$840

Price Category L +\$840

Tuxedo Ganging Plate

STGP



Product Information

Description

This ganging plate kit includes 2 metal plates and attachment hardware.

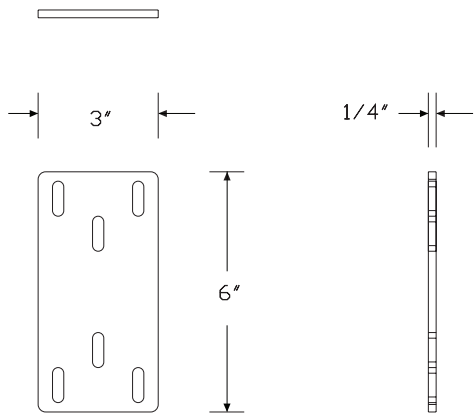
Specification Information

Step 1.

STGP A

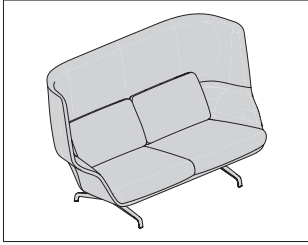
\$107

Dimensions



Striad High Back Sofa

CCL60



Product Information

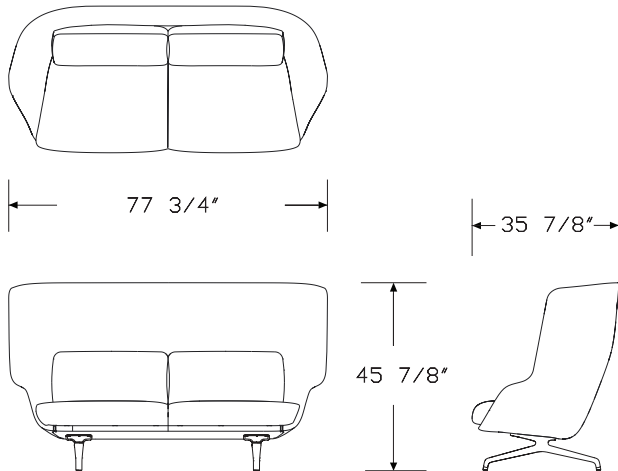
Description

This high back sofa has a choice of 4-leg or wire base. Outer shell provides rigidity and support. Sofa comes with 2 back cushions and 2 seat cushions (attached). Cushions are constructed with dual-density foam.

Notes

Customer's Own Material (COM) requires 14 yards (8 for shell, 6 for cushions). See Order Information in appendices.

Dimensions



Specification Information

Step 1.

CCL600 A

Step 2. Configuration

2 2.5 seat sofa A

Step 3. Base Type

4 four leg A

W wire A

Prices for Steps 1-3.

	4	W
CCL600 2	\$8613	8836

Step 4. Base Finish

For four leg (4)

91 white <input type="checkbox"/> A	+\$0
BK black <input type="checkbox"/> A	+\$0
PA polished aluminum <input type="checkbox"/> A	+\$0

For wire (W)

47 trivalent chrome <input type="checkbox"/> A	+\$0
91 white <input type="checkbox"/> A	+\$0
BK black <input type="checkbox"/> A	+\$0

Striad High Back Sofa *continued*

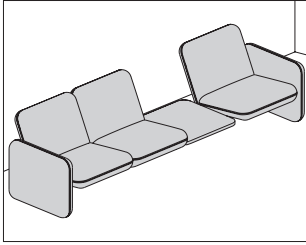
Step 5. Shell Upholstery	
Price Category 1	+\$0
Price Category 2	+\$85
Price Category 3	+\$166
Price Category (Geiger) 3	+\$166
Price Category 4	+\$316
Price Category (Geiger) 4	+\$316
Price Category 5	+\$529
Price Category (Geiger) 5	+\$529
Price Category (Geiger) 6	+\$743
Price Category 7	+\$998
Price Category (Geiger) 7	+\$998
Price Category 8	+\$1312
Price Category (Geiger) 8	+\$1312
Price Category 9	+\$1645
Price Category 10	+\$1979
Price Category (Geiger) 10	+\$1979
Price Category 11	+\$2312
Price Category (Geiger) 11	+\$2312
Price Category B	+\$290
Price Category (Geiger) C	+\$396
Price Category D	+\$500
Price Category G	+\$1013
Price Category H	+\$1231
Price Category I	+\$1446
Price Category J	+\$1662
Price Category T	+\$4090

Step 6. Cushion Upholstery	
Price Category 10	+\$1484
Price Category 1	+\$0
Price Category 2	+\$64
Price Category 3	+\$125
Price Category (Geiger) 3	+\$125
Price Category 4	+\$236
Price Category (Geiger) 4	+\$236
Price Category 5	+\$397
Price Category (Geiger) 5	+\$397
Price Category (Geiger) 6	+\$558
Price Category 7	+\$749
Price Category (Geiger) 7	+\$749
Price Category 8	+\$984
Price Category (Geiger) 8	+\$984
Price Category 9	+\$1234
Price Category (Geiger) 10	+\$1484
Price Category 11	+\$1734
Price Category (Geiger) 11	+\$1734
Price Category B	+\$217
Price Category (Geiger) C	+\$298
Price Category D	+\$376
Price Category G	+\$760
Price Category H	+\$923
Price Category I	+\$1085
Price Category J	+\$1247

Step 7. Fire Retardancy	
NFR not fire retardant <input type="checkbox"/>	+\$0

Wilkes Modular Sofa Group with Table

MG123
MG124
MG125
MG126



Product Information

Description

This modular sofa has upholstered molded-foam seat, back and arms attached to a steel beam with 1 or 2 tables in several configurations. Arms are outboard on sofas with 3 or 4 seats and tables and inboard of the end positions on sofas with 5 or 6 seats and tables.

Notes

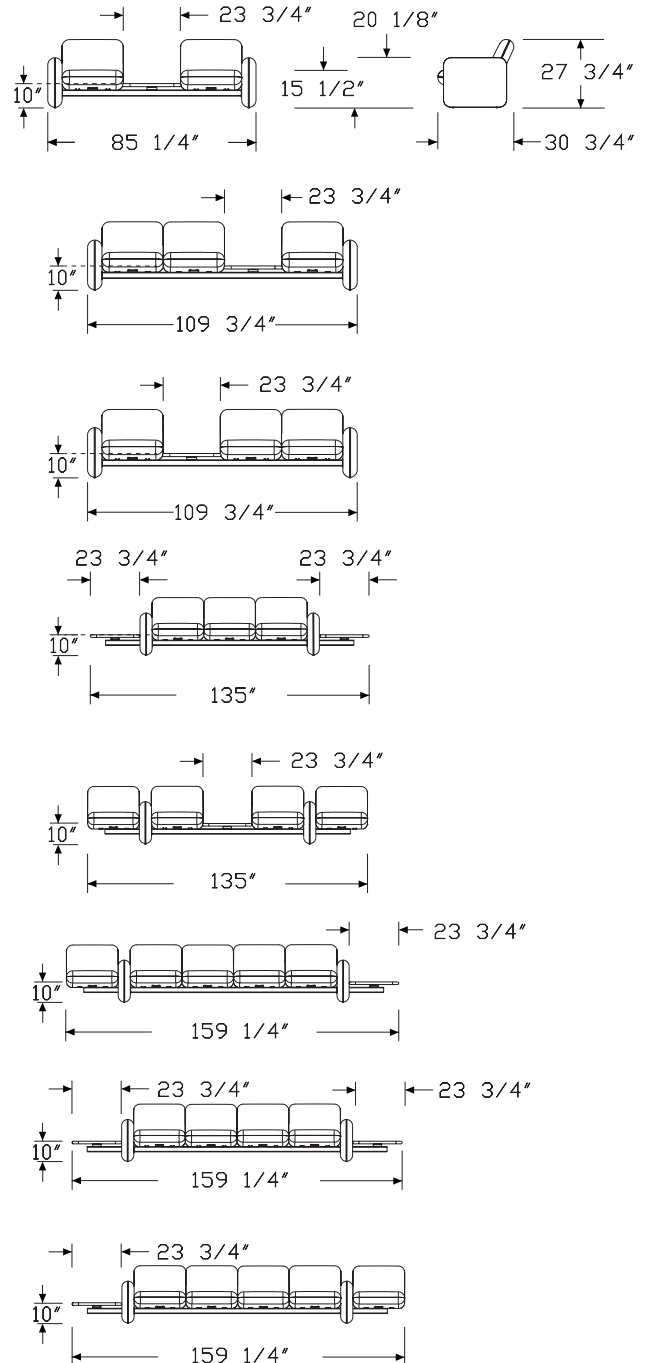
Specify left and right from a seated viewpoint.

Customer's Own Material (COM) requires the following yardage:

Configuration—Yards

- MG123T—9¹/₄
- MG124L—12¹/₂
- MG124R—12¹/₂
- MG125M—12¹/₂
- MG125T—15³/₄
- MG126L—19
- MG126M—15³/₄
- MG126R—19

Dimensions



Wilkes Modular Sofa Group with
Table *continued*

Specification Information

Step 1.

MG12 A

Step 2. Seats, Tables

3T	one seat left, table middle, one seat right	A
4L	two seat left, table, one seat right	A
4R	two seats right, table, one seat left	A
5M	one table left, three seats, one table right	A
5T	two seats right, table middle, two seats left	A
6L	five seats left, table right	A
6M	one table left, four seats, one table right	A
6R	five seats right, table left	A

Step 3. Fire Retardancy

NFR	not fire retardant	A
CRB	Crib 5 compliant	A

Prices for Steps 1-3.

MG123T	NFR	\$4450
	CRB	\$4450
MG124L	NFR	\$5489
	CRB	\$5489
MG124R	NFR	\$5489
	CRB	\$5489
MG125M	NFR	\$6414
	CRB	\$6414
MG125T	NFR	\$6240
	CRB	\$6240
MG126L	NFR	\$7281
	CRB	\$7281
MG126M	NFR	\$7396
	CRB	\$7396
MG126R	NFR	\$7281
	CRB	\$7281

Step 4. Upholstery

For one seat left, table middle, one seat right (3T) with not fire retardant (NFR)

Price Category (Geiger) COM	A	+\$0
Price Category 2		+\$80
Price Category 4		+\$359
Price Category 5		+\$617
Price Category (Geiger) 5		+\$617
Price Category 7		+\$1182
Price Category (Geiger) 7		+\$1182
Price Category 12		+\$3169

For two seat left, table, one seat right (4L) or two seats right, table, one seat left (4R) with not fire retardant (NFR)

Price Category (Geiger) COM	A	+\$0
Price Category 2		+\$107
Price Category 4		+\$479
Price Category 5		+\$822
Price Category (Geiger) 5		+\$822
Price Category 7		+\$1576
Price Category (Geiger) 7		+\$1576
Price Category 12		+\$4225

For two seats right, table middle, two seats left (5T) with not fire retardant (NFR)

Price Category (Geiger) COM	A	+\$0
Price Category 2		+\$133
Price Category 4		+\$598
Price Category 5		+\$1028
Price Category (Geiger) 5		+\$1028
Price Category 7		+\$1969
Price Category (Geiger) 7		+\$1969
Price Category 12		+\$5281

For one table left, three seats, one table right (5M) with not fire retardant (NFR)

Price Category (Geiger) COM	A	+\$0
Price Category 2		+\$107
Price Category 4		+\$479
Price Category 5		+\$822
Price Category (Geiger) 5		+\$822
Price Category 7		+\$1576
Price Category (Geiger) 7		+\$1576
Price Category 12		+\$4225

Wilkes Modular Sofa Group with Table *continued*

For five seats left, table right (6L) or five seats right, table left (6R) with not fire retardant (NFR)

Price Category (Geiger) COM A	+\$0
Price Category 2	+\$161
Price Category 4	+\$718
Price Category 5	+\$1234
Price Category (Geiger) 5	+\$1234
Price Category 7	+\$2363
Price Category (Geiger) 7	+\$2363
Price Category 12	+\$6337

For one table left, four seats, one table right (6M) with not fire retardant (NFR)

Price Category (Geiger) COM A	+\$0
Price Category 2	+\$133
Price Category 4	+\$598
Price Category 5	+\$1028
Price Category (Geiger) 5	+\$1028
Price Category 7	+\$1969
Price Category (Geiger) 7	+\$1969
Price Category 12	+\$5281

For one seat left, table middle, one seat right (3T) with Crib 5 compliant (CRB)

Price Category 5	+\$617
Price Category 7	+\$1182
Price Category 12	+\$3169

For two seat left, table, one seat right (4L) or two seats right, table, one seat left (4R) with Crib 5 compliant (CRB)

Price Category (Geiger) COM A	+\$0
Price Category 5	+\$822
Price Category 7	+\$1576
Price Category 12	+\$4225

For two seats right, table middle, two seats left (5T) with Crib 5 compliant (CRB)

Price Category (Geiger) COM A	+\$0
Price Category 5	+\$1028
Price Category 7	+\$1969
Price Category 12	+\$5281

For one table left, three seats, one table right (5M) with Crib 5 compliant (CRB)

Price Category (Geiger) COM A	+\$0
Price Category 5	+\$822
Price Category 7	+\$1576
Price Category 12	+\$4225

For five seats left, table right (6L) or five seats right, table left (6R) with Crib 5 compliant (CRB)

Price Category (Geiger) COM A	+\$0
Price Category 5	+\$1234
Price Category 7	+\$2363
Price Category 12	+\$6337

For one table left, four seats, one table right (6M) with Crib 5 compliant (CRB)

Price Category (Geiger) COM A	+\$0
Price Category 5	+\$1028
Price Category 7	+\$1969
Price Category 12	+\$5281

Step 5. Tabletop Material

E	laminate top, exposed plywood edge A	+\$100
L	laminate top, laminate edge A	+\$0
S	solid wood top A	+\$300
W	veneer top A	+\$250

Step 6. Material

For veneer top (W)

A2	white ash A	+\$0
EN	ebony A	+\$0
OU	walnut A	+\$0
WHN	natural white oak A	+\$0

For solid wood top (S)

A2	white ash A	+\$0
EN	ebony A	+\$0
OU	walnut A	+\$0
WHN	natural white oak A	+\$0

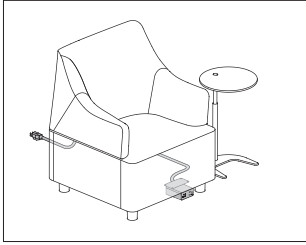
For laminate top, laminate edge (L)

91	white, black bullnose edge A	+\$0
BK	black, black bullnose edge A	+\$0

Wilkes Modular Sofa Group with
Table *continued*

For laminate top, exposed plywood edge (E)

91E	white, exposed plywood edge	<input type="checkbox"/> A	+\$0
BKE	black, exposed plywood edge	<input type="checkbox"/> A	+\$0



Product Information

Description

This electrical distributor plugs directly into floor, wall, or ceiling drop outlets. Each module configuration presents the same visual appearance. Cable clips and attachment hardware included. Product is UL listed.

Notes

Cable clips for cord management are intended for a one-time installation.

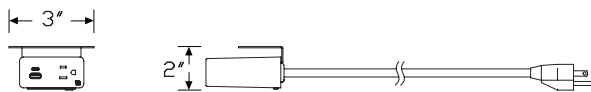
Clamp versions can be reoriented in the field by a technician.

Power modules are 15-amp single circuit AC with tamper-resistant (TR) receptacles.

USB ports provide a combined 20 watts of power to charge most devices and tablets at full speed. USB-C port provides 15 watts of power and USB-A port provides 10 watts of power individually. If using both USB-C and USB-A ports, USB-C remains at 15 watts and USB-A drops to 5 watts.

Cord color is predetermined. For white (91) finish cords will be white. For graphite (G1) finish cords will be black.

Dimensions



Specification Information

Step 1.

PX501.

Step 2. Power Type

L 1 simplex receptacle, 2 powered USB A/C Combo

K 2 simplex receptacles

Step 3. Cord/Conduit Length

03 3' cord/conduit

06 6' cord/conduit

10 10' cord/conduit

Prices for Steps 1-3.

	03	06	10
PX501. L	\$355	355	355
K	\$200	200	200

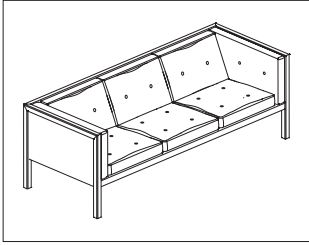
Step 4. Finish

91 white +\$0

BK black +\$0

Nelson Cube Sofa 81

NCU2



Product Information

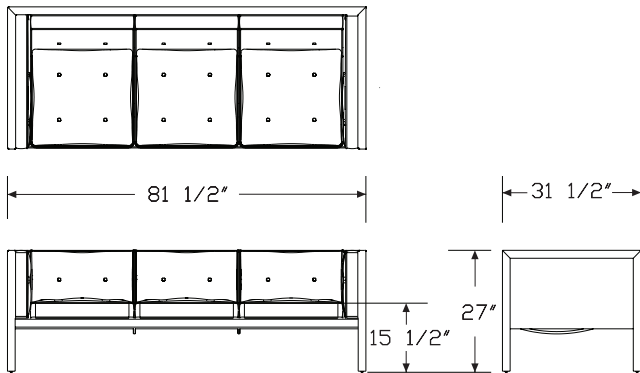
Description

This sofa has 3 seat cushions, 3 back cushions and 2 side cushions. Internal cushions are high-resiliency foam with Dacron® wrap. The outer frame is exposed hardwood in oak, walnut or ebony finish. The internal frame is steel reinforced solid hardwood.

Notes

External wood frame is natural hardwood. Similar products ordered in multiples or dissimilar products ordered separately should be expected to have variation in both grain and color characteristics; no two products will look exactly alike.

Dimensions



HermanMiller Ancillary--Sofas

Specification Information

Step 1.

NCU2 [A] \$6784

Step 2. Frame Finish

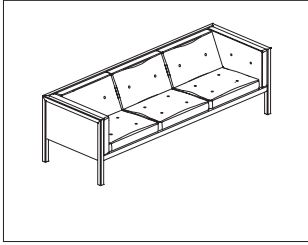
EN ebony [A] +\$0
OU walnut [A] +\$100
WHN natural white oak [A] +\$0

Step 3. Upholstery

Price Category 11 +\$4600
 Price Category 3 +\$181
 Price Category 7 +\$1090
 Price Category 8 +\$1433
 Price Category C +\$413
 Price Category D +\$500
 Price Category 12 +\$5267

Nelson Cube Sofa 92

NCU3



Product Information

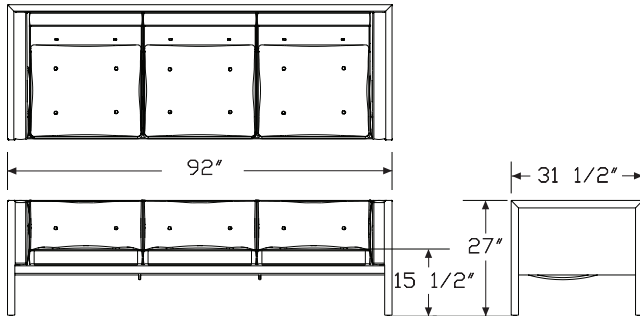
Description

This sofa has 3 seat cushions, 3 back cushions and 2 side cushions. Internal cushions are high-resiliency foam with Dacron® wrap. The outer frame is exposed hardwood in oak, walnut or ebony finish. The internal frame is steel reinforced solid hardwood.

Notes

External wood frame is natural hardwood. Similar products ordered in multiples or dissimilar products ordered separately should be expected to have variation in both grain and color characteristics; no two products will look exactly alike.

Dimensions



Specification Information

Step 1.

NCU3 A \$7420

Step 2. Frame Finish

EN ebony A +\$0
OU walnut A +\$100
WHN natural white oak A +\$0

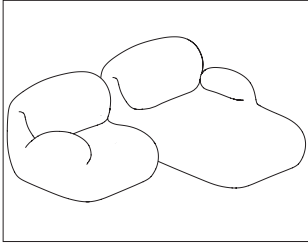
Step 3. Upholstery

Price Category 11 +\$5000
 Price Category 3 +\$217
 Price Category 7 +\$1308
 Price Category 8 +\$1719
 Price Category C +\$496
 Price Category D +\$600
 Price Category 12 +\$5728

HermanMiller Ancillary Sofas

Luva Modular Sofa, 2 Seat Sectional

GLR45



Product Information

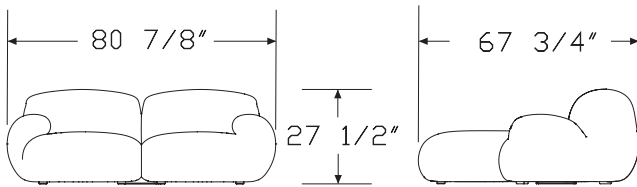
Description

This 2-seat modular sofa sectional has a steel frame construction with an articulating back rest. High-resilience foam provides a comfortable, plush sit. Sectional sofa offers a sit height of 16" and a depth of 23 1/2". Chaise and single 1-arm seat are available in left-arm/right-arm or right-arm/left-arm configurations. Seats have black glides. Ganging hardware included.

Notes

Limited textile selection available. See application chart in appendices.

Dimensions



HermanMiller Ancillary-Sofas

Specification Information

Step 1.

GLR4 A

Step 2. Configuration

50LR 2 seat, chaise left arm, single seat right arm A

50RL 2 seat, chaise right arm, single seat left arm A

Prices for Steps 1-2.

GLR450LR \$9232

GLR450RL \$9232

Step 3. Fire Retardancy

CRB Crib 5 compliant A +\$0

Step 4. Upholstery

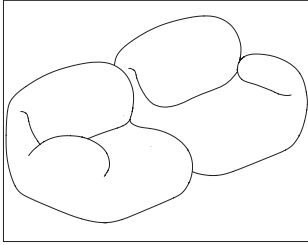
Price Category 5 +\$894

Price Category 8 +\$2099

Price Category 11 +\$3639

Price Category D +\$864

Luva Modular Sofa, 2 Seat Sofa GLR40



Product Information

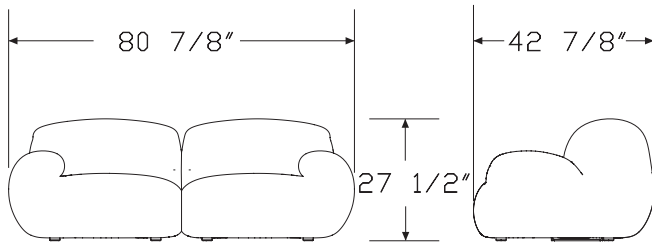
Description

This 2-seat modular sofa has a steel frame construction with an articulating back rest. High-resilience foam provides a comfortable, plush sit. Sofa offers a sit height of 16" and a depth of 23½". Seats have black glides. Ganging hardware included.

Notes

Limited textile selection available. See application chart in appendices.

Dimensions



Specification Information

Step 1.

GLR4 A

Step 2. Configuration

00LR 2 seats, left arm, right arm A

Prices for Steps 1-2.

GLR400LR \$8034

Step 3. Fire Retardancy

CRB Crib 5 compliant A +\$0

Step 4. Upholstery

Price Category 5 +\$780

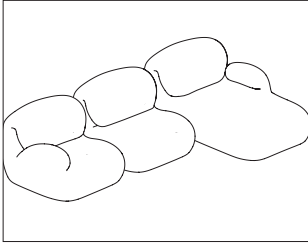
Price Category 8 +\$1820

Price Category 11 +\$3150

Price Category D +\$750

Luva Modular Sofa, 3 Seat Sectional

GLR55



Product Information

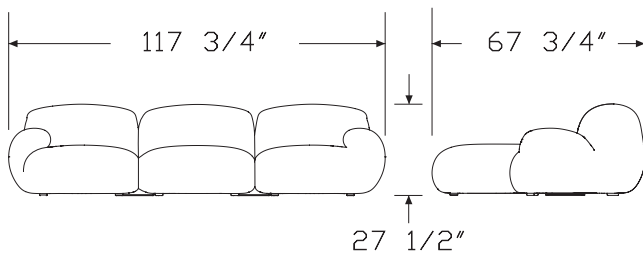
Description

This 3-seat modular sofa sectional has a steel frame construction with an articulating back rest. High-resilience foam provides a comfortable, plush sit. Sectional sofa offers a sit height of 16" and a depth of 23 1/2". Chaise and single 1-arm seat are available in left-arm/right-arm or right-arm/left-arm configurations. Seats have black glides. Ganging hardware included.

Notes

Limited textile selection available. See application chart in appendices.

Dimensions



HermanMiller Ancillary-Sofas

Specification Information

Step 1.

GLR5 A

Step 2. Configuration

50LNR 3 seats, chaise left arm, armless, single seat right arm A

50RNL 3 seats, chaise right arm, armless, single seat left arm A

Prices for Steps 1-2.

GLR550LNR \$12601

GLR550RNL \$12601

Step 3. Fire Retardancy

CRB Crib 5 compliant A +\$0

Step 4. Upholstery

Price Category 5 +\$1284

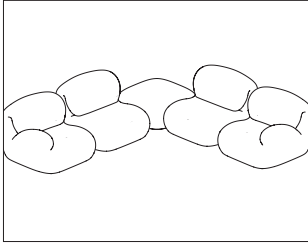
Price Category 8 +\$3009

Price Category 11 +\$5214

Price Category D +\$1239

Luva Modular Sofa, Corner Sectional

GLR60



Product Information

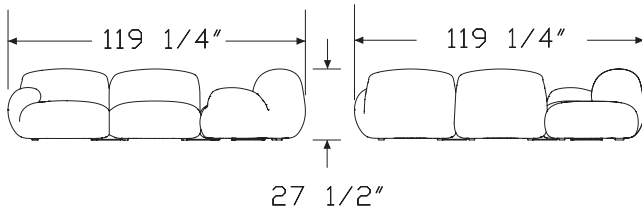
Description

This corner modular sofa sectional has a steel frame construction with articulating back rests. High-resilience foam provides a comfortable, plush sit. Sectional offers a sit height of 16" and a depth of 23 1/2". Seats have black glides. Ganging hardware included.

Notes

Limited textile selection available. See application chart in appendices.

Dimensions



Specification Information

Step 1.

GLR6 A

Step 2. Configuration

00C single seat left arm, two armless, ottoman, single seat right arm A

Prices for Steps 1-2.

GLR600C \$17036

Step 3. Fire Retardancy

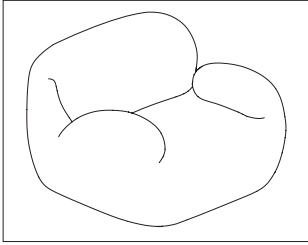
CRB Crib 5 compliant A +\$0

Step 4. Upholstery

Price Category 5	+\$1794
Price Category 8	+\$4374
Price Category 11	+\$7334
Price Category D	+\$1684

HermanMiller Ancillary Sofas

Luva Modular Sofa, Single Seat GLR10



Product Information

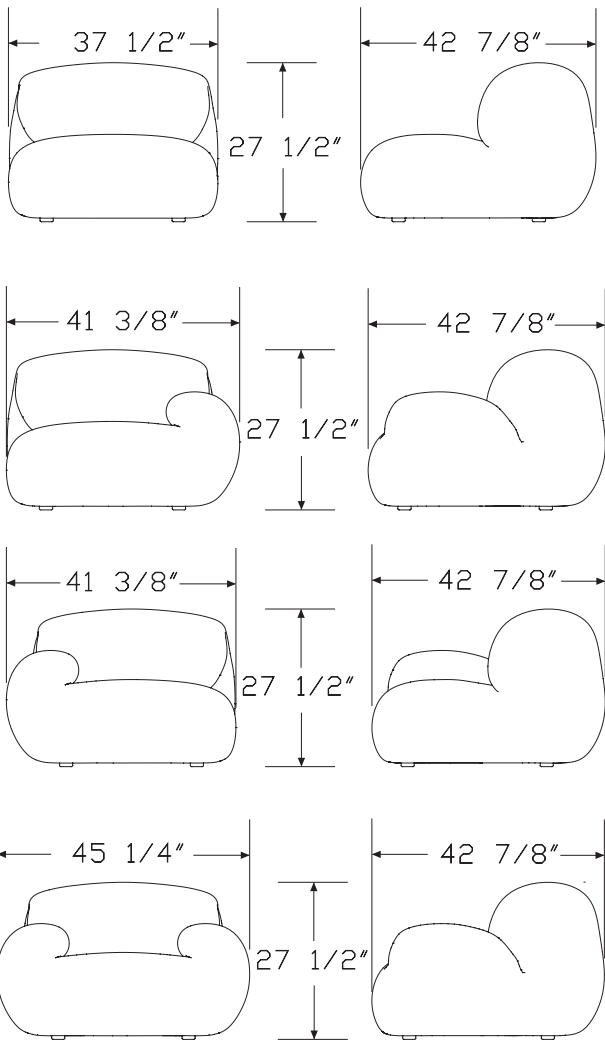
Description

This single modular seat has a steel frame construction with an articulating back rest. High-resilience foam provides a comfortable, plush sit. Sectional offers a sit height of 16" and a depth of 23½". Seat is available with no arms, 1 arm left or right, or as an armchair. Seat has black glides.

Notes

Order ganging hardware (GLR701G) separately if using with other Luva Modular Sofa components.
 Armchair does not gang to other Luva Modular Sofa components.
 Limited textile selection available. See application chart in appendices.

Dimensions



Luva Modular Sofa, Single Seat

continued

Specification Information

Step 1.

GLR1 A

Step 2. Configuration

01N armless A

01L left arm A

01R right arm A

01T armchair A

Prices for Steps 1-2.

GLR101N \$3320

GLR101L \$4017

GLR101R \$4017

GLR101T \$4583

Step 3. Fire Retardancy

CRB Crib 5 compliant A +\$0

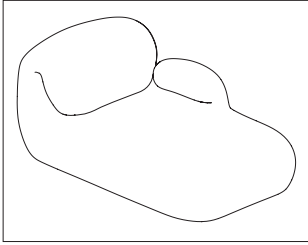
Step 4. Upholstery

Price Category 5 +\$390

Price Category 8 +\$910

Price Category 11 +\$1575

Price Category D +\$375



Product Information

Description

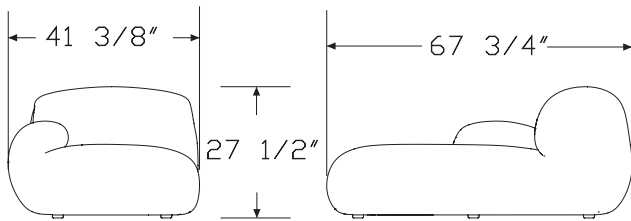
This chaise modular seat has a steel frame construction with an articulating back rest. High-resilience foam provides a comfortable, plush sit. Chaise offers a sit height of 16" and a depth of 23½". Chaise is available with left-arm or right-arm configuration. Seat has black glides.

Notes

Order ganging hardware (GLR701G) separately if using with other Luva Modular Sofa components.

Limited textile selection available. See application chart in appendices.

Dimensions



HermanMiller Ancillary-Sofas

Specification Information

Step 1.

GLR2 A

Step 2. Configuration

01L left arm A

01R right arm A

Prices for Steps 1-2.

GLR201L \$5166

GLR201R \$5166

Step 3. Fire Retardancy

CRB Crib 5 compliant A +\$0

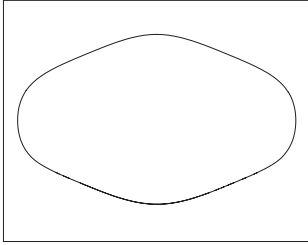
Step 4. Upholstery

Price Category 5 +\$504

Price Category 8 +\$1189

Price Category 11 +\$2064

Price Category D +\$489



Product Information

Description

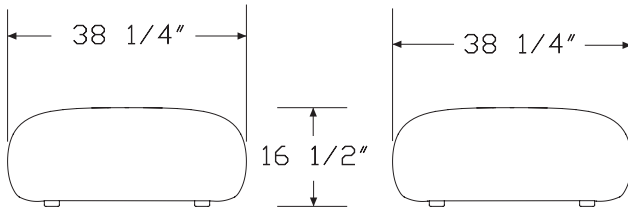
This ottoman has a steel frame construction and high-resilience, fire retardant-free foam. Can be combined with other Luva Modular Sofa components to create larger configurations. Ottoman has black glides.

Notes

Order ganging hardware (GLR701G) separately if using with other Luva Modular Sofa components.

Limited textile selection available. See application chart in appendices.

Dimensions



Specification Information

Step 1.

GLR3 A

Step 2. Configuration

01M ottoman A

Prices for Steps 1-2.

GLR301M \$2166

Step 3. Fire Retardancy

CRB Crib 5 compliant A +\$0

Step 4. Upholstery

Price Category 5 +\$234

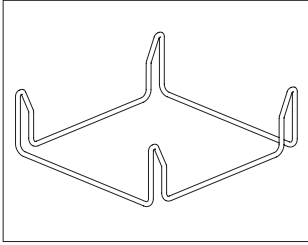
Price Category 8 +\$834

Price Category 11 +\$1034

Price Category D +\$184

Luva Modular Sofa, Ganging Hardware

GLR70



Product Information

Description

This metal ganging hardware is used to connect individual Luva Modular Sofa components into larger configurations. Hardware is not needed for the Luva Single Seat Armchair. Finish is black.

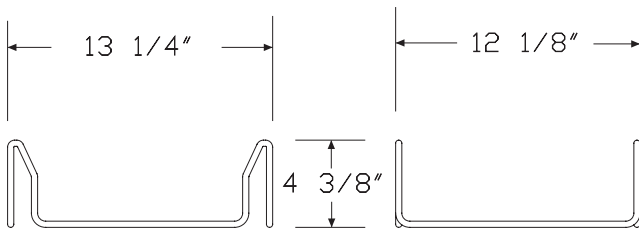
Notes

Armchair does not gang to other Luva Modular Sofa components. Ganging hardware is recommended to secure Luva Modular Sofa components together and to prevent movement.

Order the following Luva Modular Sofa components separately to create desired sofa and/or sectional configurations:

- Luva Modular Sofa, Single Seat (GLR101N, GLR101L, GLR101R, GLR101T)
- Luva Modular Sofa, Chaise (GLR201L, GLR201R)
- Luva Modular Sofa, Ottoman (GLR301M)

Dimensions



Specification Information

Step 1.

GLR7 A

Step 2. Configuration

01G ganging hardware A

Prices for Steps 1-2.

GLR701G \$49

HermanMiller Ancillary Desks and Tables

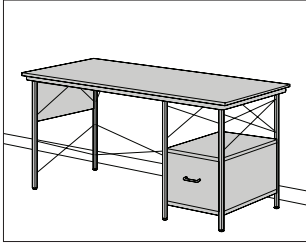
Desks

Tables

Occasional Tables

Eames® Desk Unit

EDU10.
EDU20.
EDU21.

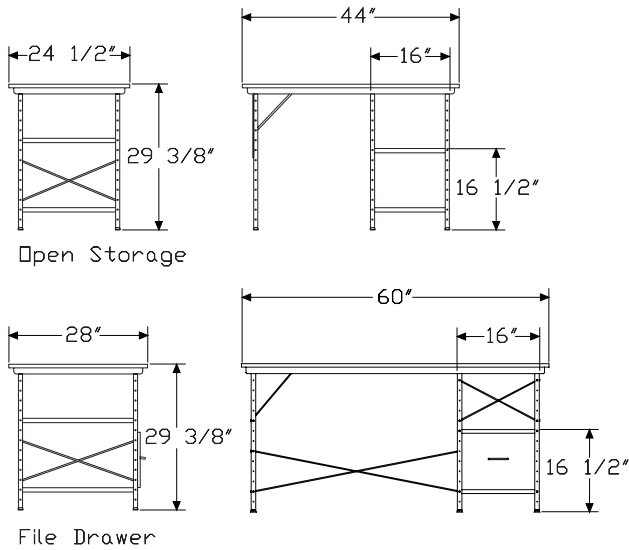


Product Information

Description

This desk unit has a powder-coated or zinc-coated steel frame, a birch top, painted side panels, with either open storage or a birch-front file drawer on the left or right side. It has adjustable glides.

Dimensions



Specification Information

Step 1.

EDU

Step 2. File Drawer

- 10. open storage
- 20. right-hand file drawer
- 21. left-hand file drawer

Prices for Steps 1-2.

EDU10.	\$2821
EDU20.	\$3147
EDU21.	\$3147

Step 3. Frame Finish

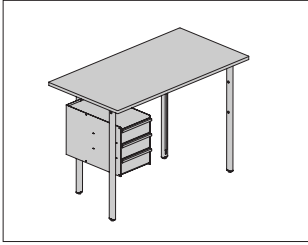
ZC zinc plated <input type="checkbox"/>	+\$0
BU black umber <input type="checkbox"/>	+\$95

Step 4. Surface Finish

NC natural color <input type="checkbox"/>	+\$0
W9 multi-color <input type="checkbox"/>	+\$0

Mode Desk

APN22
APS22



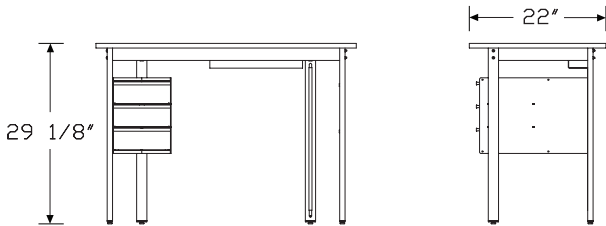
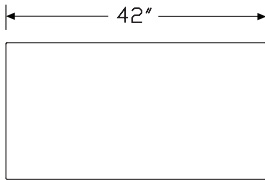
HermanMiller Ancillary-Desks

Product Information

Description

This small space desk solution comes with storage and a pop color palette. Desk is 22"Dx42"W with a laminate top and has an aluminum base with black column, black feet, and glides. Options include top finish color, cabinet color and cabinet pull type.

Dimensions



Specification Information

Step 1.

AP

Step 2. Storage Option

- S** with storage
- N** no storage

Step 3. Depth/Width

2242 22" deep x 42" wide

Step 4. Surface Material

- L** high-pressure laminate

Prices for Steps 1-4.

APS2242 L \$1745

APN2242 L \$1162

Step 5. Top Finish

- BKM** black +\$0
- WL** sandstone +\$0
- LBW** blue grey +\$0
- LBY** pesto +\$0
- LBZ** deep sea +\$0

Step 6. Base Finish

- BK** black column, black foot +\$0

Step 7. Glides

- G** glides +\$0

Step 8. Cabinet Color

For with storage (S)

- BK** black +\$0
- WL** sandstone +\$0
- DB3** glacier +\$0
- DN2** nightfall +\$0
- OLF** olive +\$0
- ZP** terra cotta +\$0

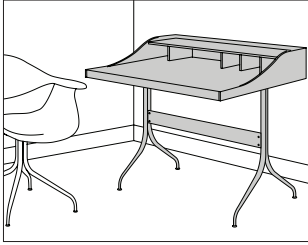
Step 9. Pull Type

For with storage (S)

- BK** black +\$0
- OU** walnut +\$100

Nelson™ Swag Leg Desk

NS585



Product Information

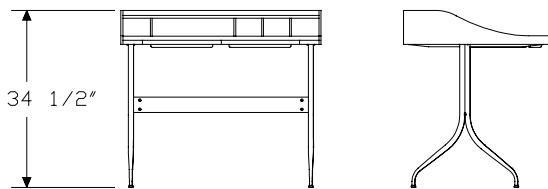
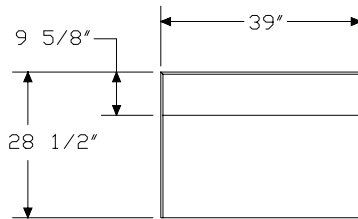
Description

This 34½"-high desk has a white-laminate top surface, solid walnut side and back panels, 4 hardwood dividers, and 2 black-plastic pencil drawers. The base is chrome-finished steel tubing with a solid walnut stretcher and adjustable glides. The desk also has a grommet for cable management. Shipped knocked down.

Notes

Hardwood divider colors include 2 orange, 1 spa blue, and 1 chartreuse.

Dimensions



Specification Information

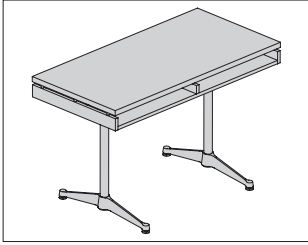
Step 1.

NS5850 A

\$4142

Eames® 2500 Series Executive Desk

ET22R
ET87R



HermanMiller Ancillary-Desks

Product Information

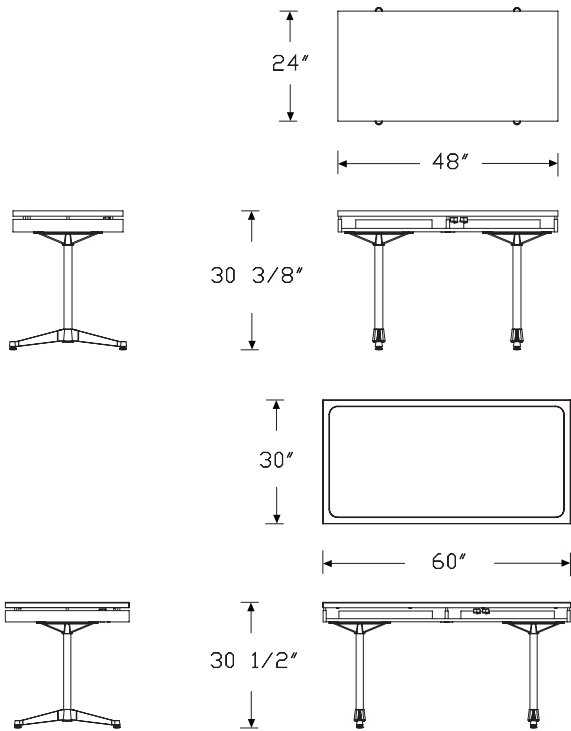
Description

This Eames® executive desk has a fully veneered top or veneer top with leather inlay. Desk features a T-leg with steel columns and aluminum feet, and cord management.

Notes

Veneer top with inlay option (B) only available with black base columns.

Dimensions



Specification Information

Step 1.

ET A

Step 2. Depth/Width

22R 24" deep x 48" wide A

87R 30" deep x 60" wide A

Step 3. Surface Material

A veneer top A

B veneer top with inlay A

Prices for Steps 1-3.

ET22R	A	\$3105
	B	\$4234

ET87R	A	\$3786
	B	\$4883

Step 4. Top Finish

OU walnut A +\$500

WHN natural white oak A +\$0

Step 5. Inlay

For veneer top with inlay (B)

Price Category 10M +\$0

Step 6. Base Finish

For veneer top (A)

BCL BK black column, BK black foot A +\$0

BCP BK black column, PA polished foot A +\$50

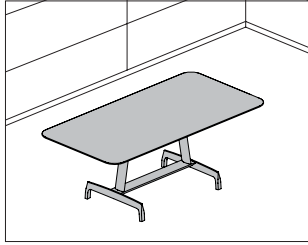
WCP 91 white column, PA polished foot A +\$50

WCW 91 white column, 91 white foot A +\$0

For veneer top with inlay (B)

BCL BK black column, BK black foot A +\$0

BCP BK black column, PA polished foot A +\$50



Product Information

Description

This rectangular table comes in 3 depths and 7 widths, and has painted Formcoat®, veneer, and stone surface options. Top is 3/4" thick and has a soft, tapered edge. Glides have 1 1/4" of leveling adjustment.

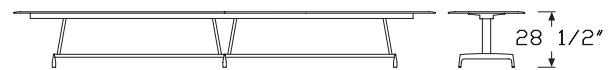
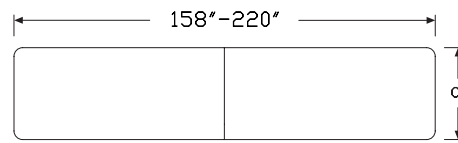
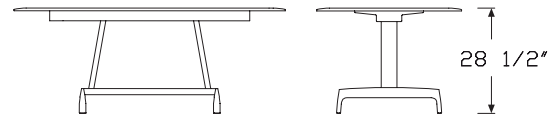
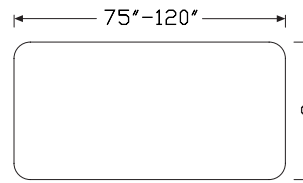
Notes

Tables 158" wide and wider will have 2-piece tops and a double base. Grain direction for veneer tables less than 158" wide will align with width; for veneer tables 158" wide and wider grain direction will align with depth.

Santos palisander veneer is celebrated for its unique grain and color variations. Similar products ordered in multiples or dissimilar products ordered separately should be expected to have variation in both grain and color characteristics; no two products will look exactly alike.

Natural characteristics in stone cause variations in hues, veins, crystals, and distinctive marks. These variations and subtle changes seen as the stone ages are values associated with natural materials. No two tabletops are identically the same; variations in both color and veining are to be expected. Over time the stone may fade in color, staining of the surface may appear, and surface cracks-if not already visible at time of purchase-may appear. Small cracks do not affect the structure of the tabletop.

Dimensions



Specification Information			
Step 1.			
DF	A		
Step 2. Shape			
100.	rectangular	A	
Step 3. Depth			
38	38" deep	A	
42	42" deep	A	
48	48" deep	A	
Step 4. Width			
<i>For 38" deep (38)</i>			
75	75" wide	A	
85	85" wide	A	
<i>For 42" deep (42)</i>			
85	85" wide	A	
95	95" wide	A	
<i>For 48" deep (48)</i>			
95	95" wide	A	
120	120" wide	A	
158	158" wide	A	
190	190" wide	A	
220	220" wide	A	
Step 5. Surface Material			
<i>For 75" wide (75), 85" wide (85), or 95" wide (95)</i>			
P	paint Formcoat®	A	
W	veneer	A	
S	stone	A	
<i>For 120" wide (120), 158" wide (158), 190" wide (190), or 220" wide (220)</i>			
P	paint Formcoat®	A	
W	veneer	A	
Prices for Steps 1-5.			
		P	W S
DF100. 38 75		\$6381	9570 23916
85		\$6540	9728 24714
42 85		\$6700	9887 25512
95		\$7178	10365 27105

48 95		\$7496	10683	29495
120		\$8611	11799	—
158		\$12279	19135	—
190		\$14351	20726	—
220		\$15146	22324	—
Step 6. Understructure Finish				
91	white	A		+\$0
BK	black	A		+\$0
Step 7. Base Finish				
<i>For white (91)</i>				
91	white	A		+\$0
PA	polished aluminum	A		+\$0
<i>For black (BK)</i>				
BK	black	A		+\$0
PA	polished aluminum	A		+\$0
Step 8. Top Finish				
<i>For painted Formcoat® (P)</i>				
8Q	folkstone grey	A		+\$0
91	white	A		+\$0
<i>For 38" deep (38), 42" deep (42), or 48" deep (48) with 75" wide (75), 85" wide (85), 95" wide (95), or 120" wide (120), or 158" wide (158), or 190" wide (190), or 220" wide (220) with veneer (W) with white (91), or polished aluminum (PA)</i>				
A2	white ash	A		+\$0
<i>For 38" deep (38) with 75" wide (75) with veneer (W) with black (BK)</i>				
9N	santos palisander	A		+\$1299
A2	white ash	A		+\$0
EN	ebony	A		+\$0
OU	walnut	A		+\$0
<i>For 38" deep (38) with 85" wide (85) with veneer (W) with black (BK)</i>				
9N	santos palisander	A		+\$1499
A2	white ash	A		+\$0
EN	ebony	A		+\$0
OU	walnut	A		+\$0

For 42" deep (42) with 85" wide (85) with veneer (W) with black (BK)

9N	santos palisander A	+\$1899
A2	white ash A	+\$0
EN	ebony A	+\$0
OU	walnut A	+\$0

For 42" deep (42) with 95" wide (95) with veneer (W) with black (BK)

9N	santos palisander A	+\$2299
A2	white ash A	+\$0
EN	ebony A	+\$0
OU	walnut A	+\$0

For 48" deep (48) with 95" wide (95) with veneer (W) with black (BK)

9N	santos palisander A	+\$2399
A2	white ash A	+\$0
EN	ebony A	+\$0
OU	walnut A	+\$0

For 48" deep (48) with 120" wide (120) with veneer (W) with black (BK)

9N	santos palisander A	+\$3699
A2	white ash A	+\$0
EN	ebony A	+\$0
OU	walnut A	+\$0

For 48" deep (48) with 158" wide (158) with veneer (W) with black (BK)

9N	santos palisander A	+\$4099
A2	white ash A	+\$0
EN	ebony A	+\$0
OU	walnut A	+\$0

For 48" deep (48) with 190" wide (190) with veneer (W) with black (BK)

9N	santos palisander A	+\$4599
A2	white ash A	+\$0
EN	ebony A	+\$0
OU	walnut A	+\$0

For 48" deep (48) with 220" wide (220) with veneer (W) with black (BK)

9N	santos palisander A	+\$6299
A2	white ash A	+\$0
EN	ebony A	+\$0
OU	walnut A	+\$0

For 38" deep (38) with 75" wide (75) with veneer (W) with polished aluminum (PA)

9N	santos palisander A	+\$1299
EN	ebony A	+\$0
OU	walnut A	+\$0

For 38" deep (38) with 85" wide (85) with veneer (W) with polished aluminum (PA)

9N	santos palisander A	+\$1499
EN	ebony A	+\$0
OU	walnut A	+\$0

For 42" deep (42) with 85" wide (85) with veneer (W) with polished aluminum (PA)

9N	santos palisander A	+\$1899
EN	ebony A	+\$0
OU	walnut A	+\$0

For 42" deep (42) with 95" wide (95) with veneer (W) with polished aluminum (PA)

9N	santos palisander A	+\$2299
EN	ebony A	+\$0
OU	walnut A	+\$0

For 48" deep (48) with 95" wide (95) with veneer (W) with polished aluminum (PA)

9N	santos palisander A	+\$2399
EN	ebony A	+\$0
OU	walnut A	+\$0

For 48" deep (48) with 120" wide (120) with veneer (W) with polished aluminum (PA)

9N	santos palisander A	+\$3699
EN	ebony A	+\$0
OU	walnut A	+\$0

For 48" deep (48) with 158" wide (158) with veneer (W) with polished aluminum (PA)

9N	santos palisander A	+\$4099
EN	ebony A	+\$0
OU	walnut A	+\$0

For 48" deep (48) with 190" wide (190) with veneer (W) with polished aluminum (PA)

9N	santos palisander A	+\$4599
EN	ebony A	+\$0
OU	walnut A	+\$0

For 48" deep (48) with 220" wide (220) with veneer (W) with polished aluminum (PA)

9N	santos palisander A	+\$6299
EN	ebony A	+\$0
OU	walnut A	+\$0

AGL™ Table Group *continued*

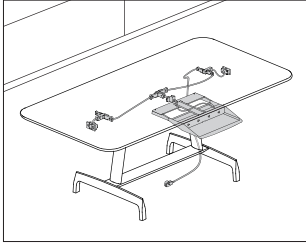
HermanMiller Ancillary-Tables

For 38" deep (38), 42" deep (42), or 48" deep (48) with 75" wide (75),
 or 85" wide (85), or 95" wide (95) with stone (S) with white (91), or
 polished aluminum (PA)

5U georgia grey marble A +\$1500

For 38" deep (38), 42" deep (42), or 48" deep (48) with 75" wide (75),
 or 85" wide (85), or 95" wide (95) with stone (S) with black (BK), or
 polished aluminum (PA)

5U georgia grey marble A +\$1500



Product Information

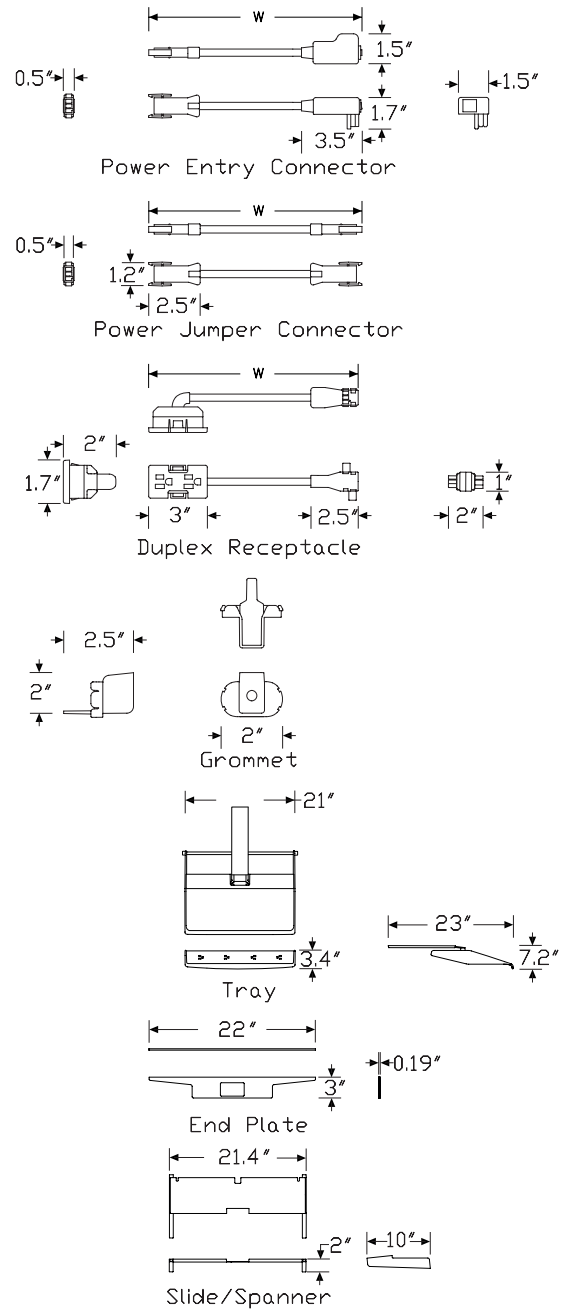
Description

This power kit connects to an AGL™ table. Each kit includes a predetermined number of trays (based on table size), a power entry connector, power jumpers and 2 duplex receptacles for each end of an AGL table. Each tray includes 2 combination receptacles that have a 15-amp simplex receptacle and dual USB ports. Power kit is UL listed for use with AGL table in the US and Canada.

Notes

- Each receptacle is rated at 120 VAC, 15 amp.
- One of the USB ports is a high-power port that can accommodate tablets and other high draw devices.
- Each power cord has a 15-amp resettable circuit breaker.
- For desking applications, specify 1 tray for 38" deep x 75" wide, 38" deep x 85" wide, and 42" deep x 85" wide tables.

Dimensions



HermanMiller Ancillary-Tables

AGL™ Table Group Power Kit

continued

HermanMiller Ancillary-Tables

Specification Information

Step 1.

DF900. A

Step 2. Table Size & Kit Configuration

- 3875A** 38" deep X 75" wide, 1 tray A
- 3875B** 38" deep X 75" wide, 2 trays A
- 3885A** 38" deep X 85" wide, 1 tray A
- 3885B** 38" deep X 85" wide, 2 trays A
- 4285A** 42" deep X 85" wide, 1 tray A
- 4285B** 42" deep X 85" wide, 2 trays A
- 4295B** 42" deep X 95" wide, 2 trays A
- 4895B** 48" deep X 95" wide, 2 trays A
- 48120C** 48" deep X 120" wide, 4 trays A
- 48158C** 48" deep X 158" wide, 4 trays A
- 48190D** 48" wide X 190" deep, 6 trays A
- 48220D** 48" wide X 220" deep, 6 trays A

Prices for Steps 1-2.

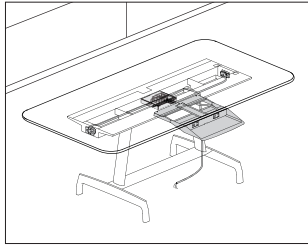
DF900. 3875A	\$1453
3875B	\$2256
3885A	\$1453
3885B	\$2256
4285A	\$1453
4285B	\$2256
4295B	\$2256
4895B	\$2256
48120C	\$4187
48158C	\$4187
48190D	\$5799
48220D	\$5799

Step 3. Finish

91 white <input type="checkbox"/> A	+\$0
BK black <input type="checkbox"/> A	+\$0

AGL™ Table Group Power Kit, Chicago version

DF901.



Product Information

Description

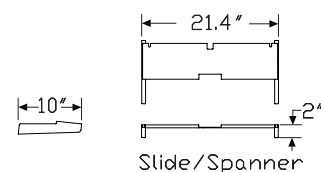
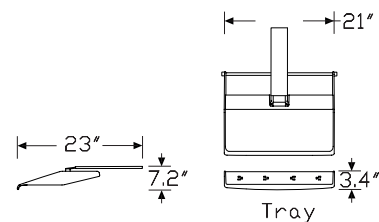
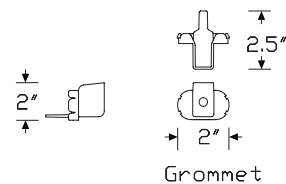
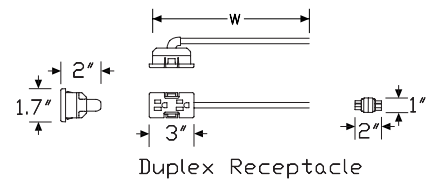
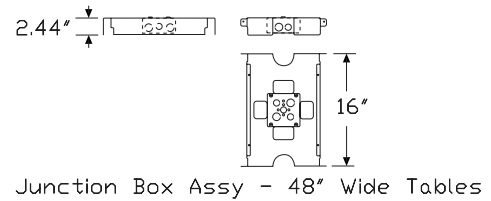
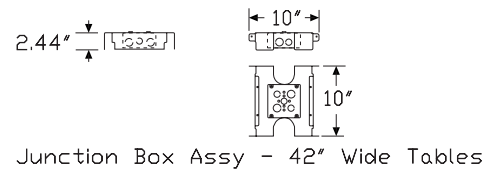
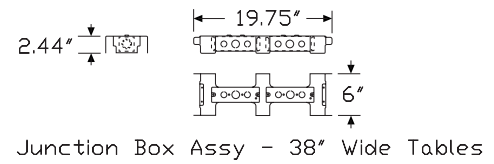
This power kit is for use with an AGL™ table only and must be wired by a licensed electrician. It includes a predetermined number of trays (based on table size), junction boxes, junction box covers, and duplex receptacles for each end of an AGL table. Each tray in the kit includes 2 combination receptacles that have a 15-amp simplex receptacle and dual USB ports.

Notes

Each receptacle is rated at 120 VAC, 15 amp.

For desking applications, specify 1 tray for 38" deep x 75" wide, 38" deep x 85" wide, and 42" deep x 85" wide AGL tables.

Dimensions



AGL™ Table Group Power Kit,
Chicago version *continued*

HermanMiller Ancillary-Tables

Specification Information

Step 1.

DF901. A

Step 2. Table Size & Kit Configuration

- 3875A** 38" deep X 75" wide, 1 tray A
- 3875B** 38" deep X 75" wide, 2 trays A
- 3885A** 38" deep X 85" wide, 1 tray A
- 3885B** 38" deep X 85" wide, 2 trays A
- 4285A** 42" deep X 85" wide, 1 tray A
- 4285B** 42" deep X 85" wide, 2 trays A
- 4295B** 42" deep X 95" wide, 2 trays A
- 4895B** 48" deep X 95" wide, 2 trays A
- 48120C** 48" deep X 120" wide, 4 trays A
- 48158C** 48" deep X 158" wide, 4 trays A
- 48190D** 48" wide X 190" deep, 6 trays A
- 48220D** 48" wide X 220" deep, 6 trays A

Prices for Steps 1-2.

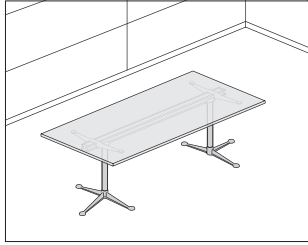
DF901. 3875A	\$1291
3875B	\$2256
3885A	\$1291
3885B	\$2256
4285A	\$1291
4285B	\$2256
4295B	\$2256
4895B	\$2256
48120C	\$4027
48158C	\$4027
48190D	\$5639
48220D	\$5639

Step 3. Finish

- 91** white A +\$0
- BK** black A +\$0

Burdick Group™ Rectangular Table

BG321
BG322
BG331
BG332



Product Information

Description

This glass top table attaches to a beam and is available in 2 widths and 2 depths. Beam top surface, end caps, glides, and hook-and-loop fasteners are black. Attachment brackets are included.

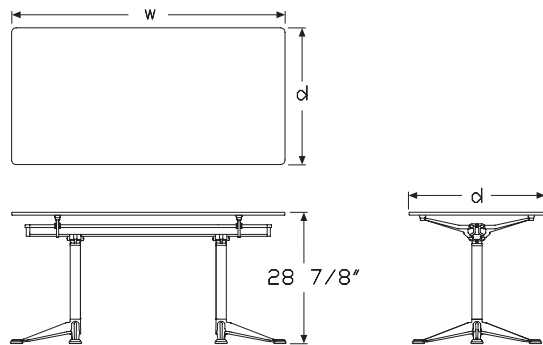
Notes

Beam length is unique for 60"-wide and 72"-wide tables.

For white (91) bracket finish, attachment screws will be bright zinc. For black (BK) and polished aluminum (CD) bracket finishes, attachment screws will be black zinc.

Leg-to-beam connector is polished aluminum with no painted accents.

Dimensions



Specification Information

Step 1.

BG3 A

Step 2. Depth/Width

21 30" deep x 60" wide A

22 30" deep x 72" wide A

31 36" deep x 60" wide A

32 36" deep x 72" wide A

Step 3. Surface Material

G glass A

Prices for Steps 1-3.

BG321 G \$6338

BG322 G \$8255

BG331 G \$6485

BG332 G \$8402

Step 4. Top/Edge Finish

JL clear glass A +\$0

Step 5. Bracket Finish

91 white A +\$0

BK black A +\$0

CD polished aluminum A +\$0

Step 6. Column Finish

91 white A +\$0

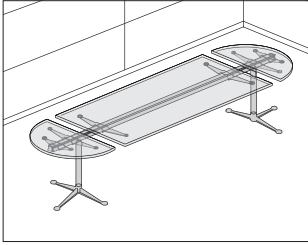
BK black A +\$0

Step 7. Base Finish

CD polished aluminum A +\$0

Burdick Group™ Oval Table

BG335
BG336
BG435
BG436



HermanMiller Ancillary-Tables

Product Information

Description

This oval table has a rectangular glass center surface with glass or stone half-round surfaces on each end, attached to a beam. Table is available in 2 heights, 2 widths and 1 depth. Beam top surface, end caps, glides, and hook-and-loop fasteners are black. Attachment brackets are included.

Notes

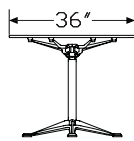
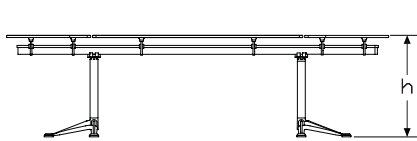
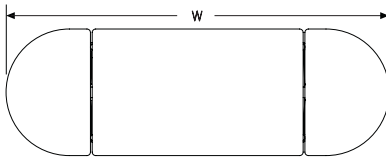
Beam length is unique for each table width.

Center section dimensions are 36" x 60" for the 108" table width, and 36" x 72" for the 120" table width.

For white (91) bracket finish, attachment screws will be bright zinc. For black (BK) and polished aluminum (CD) bracket finishes, attachment screws will be black zinc.

Leg-to-beam connector is polished aluminum with no painted accents.

Dimensions



Specification Information

Step 1.

BG A

Step 2. Height

3 28.5" high A

4 36" high A

Step 3. Depth/Width

35 36" deep x 108" wide A

36 36" deep x 120" wide A

Step 4. Middle Surface Material

G glass top A

Step 5. Ends Surface Material

G glass top A

S stone top A

Prices for Steps 1-5.

	G	S
BG335 G	\$10169	19452
BG336 G	\$12085	21365
BG435 G	\$10169	19452
BG436 G	\$12085	21365

Step 6. Middle Surface Finish

JL clear glass A +\$0

Step 7. Ends Surface Finish

For glass top (G)

JL clear glass A +\$0

For stone top (S)

5U georgia grey marble A + \$699

Step 8. Bracket Finish

91 white A +\$0

BK black A +\$0

CD polished aluminum A +\$0

Burdick Group™ Oval Table

continued

Step 9. Column Finish

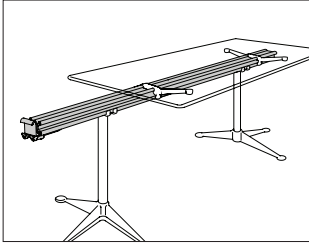
91	white	<input type="checkbox"/>	A	+\$0
BK	black	<input type="checkbox"/>	A	+\$0

Step 10. Base Finish

CD	polished aluminum	<input type="checkbox"/>	A	+\$0
-----------	-------------------	--------------------------	---	------

Burdick Group™ Beam

BG105
BG106



HermanMiller Ancillary-Tables

Product Information

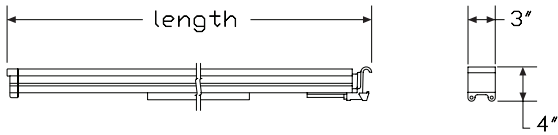
Description

This structural beam supports Burdick Group™ products. The beam is polished aluminum and has a cable management channel on the underside. Beams can be connected to form right angles. Attachment hardware included.

Notes

Order base assembly (BG107) separately.

Dimensions



Specification Information

Step 1.

BG10 [A]

Step 2. Type/Length

6 connecting and 5' 6" long [A]

5 connecting and 7' long [A]

Prices for Steps 1-2.

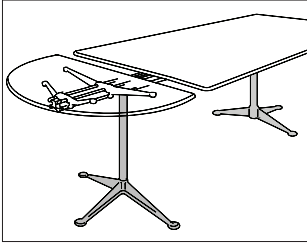
BG106 \$1920

BG105 \$2214

Step 3. Top Finish

BU black umber [A] +\$0

Burdick Group™ Base Assembly BG107



Product Information

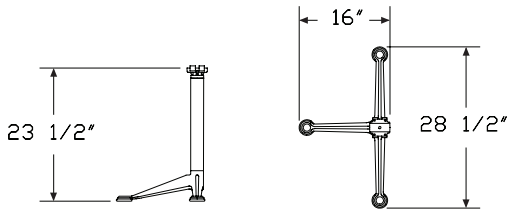
Description

This base structure supports a beam and has a vertical cable management package. The base is polished aluminum. Attachment hardware included. Shipped knocked down.

Notes

Order beam (BG105 or BG106) separately.

Dimensions



Specification Information

Step 1.

BG10 A

Step 2. Configuration

7 single A

Prices for Steps 1-2.

BG107 \$1109

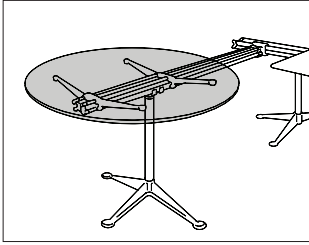
Step 3. Column Finish

91 white A +\$0

BK black A +\$0

Burdick Group™ Round Work Surface

BG122

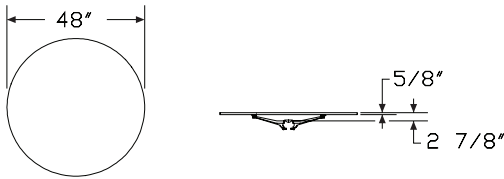


HermanMiller Ancillary-Tables

Product Information

Description
 This 48"-diameter glass work surface attaches to a beam. Attachment brackets included.

Dimensions



Specification Information

Step 1.

BG1 A

Step 2. Material

22 glass A

Prices for Steps 1-2.

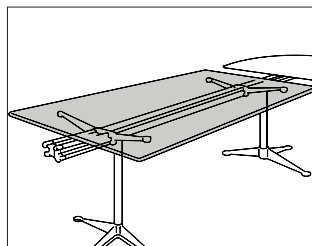
BG122 \$2839

Step 3. Bracket Finish

- 91** white A +\$0
- BK** black A +\$0
- CD** polished aluminum A +\$0

Burdick Group™ Rectangular
Work Surface

BG120
BG121

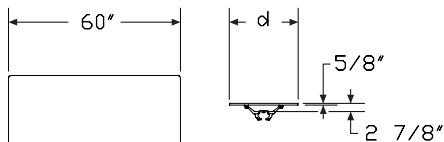


Product Information

Description

This 60"-wide glass work surface attaches to a beam. Attachment brackets included.

Dimensions



Specification Information

Step 1.

BG1 A

Step 2. Material/Depth

21 glass and 24" deep A

20 glass and 36" deep A

Prices for Steps 1-2.

BG121 \$2140

BG120 \$2800

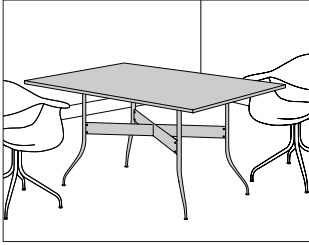
Step 3. Bracket Finish

91 white A +\$0

BK black A +\$0

CD polished aluminum A +\$0

Nelson™ Swag Leg Dining Table NS585
Rectangular

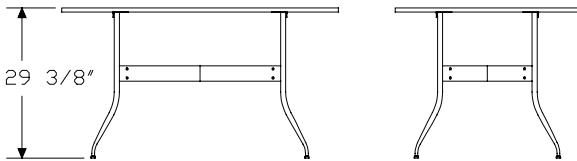
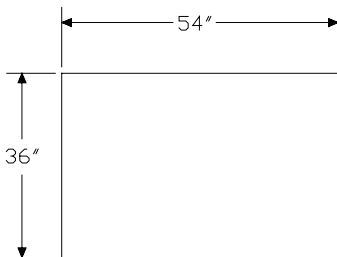


HermanMiller Ancillary-Tables

Product Information

Description
This 29^{3/8}"-high rectangular dining table has a white laminate top or walnut veneer top with a walnut edge band, 4 chrome-finished steel-tube legs, 2 solid walnut stretchers, and adjustable glides. Shipped knocked down.

Dimensions



Specification Information

Step 1.

NS5851 A

Step 2. Surface Material

L high-pressure laminate A

W veneer A

Prices for Steps 1-2.

NS5851 L	\$2644
W	\$3346

Step 3. Surface Finish

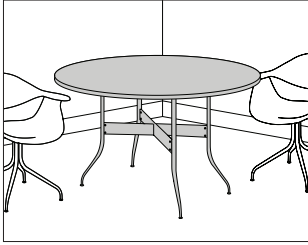
For high-pressure laminate (L)

91 white A	+\$0
---	------

For veneer (W)

OU walnut A	+\$0
--	------

Nelson™ Swag Leg Dining Table NS585 Round

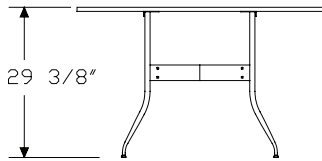
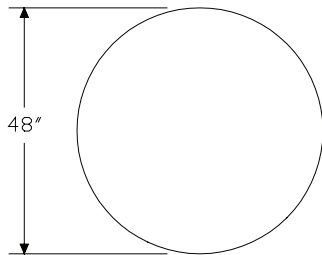


Product Information

Description

This 29³/₈"-high round dining table has a white laminate top or walnut veneer top with a walnut edge band, 4 chrome-finished steel-tube legs, 2 solid walnut stretchers, and adjustable glides. Shipped knocked down.

Dimensions



Specification Information

Step 1.

NS5852 A

Step 2. Surface Material

L high-pressure laminate A

W veneer A

Prices for Steps 1-2.

NS5852 L	\$2724
W	\$3265

Step 3. Surface Finish

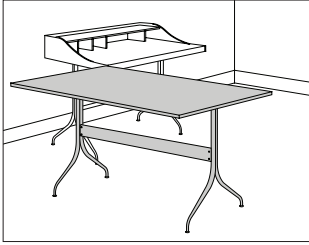
For high-pressure laminate (L)

91 white A +\$0

For veneer (W)

OU walnut A +\$0

Nelson™ Swag Leg Work Table NS585

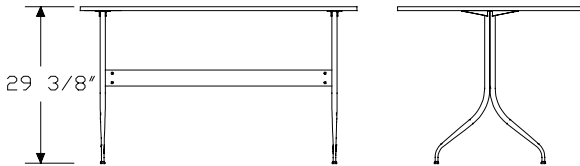
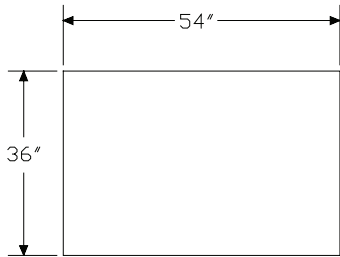


HermanMiller Ancillary-Tables

Product Information

Description
 This 29³/₈"-high rectangular work table has a white laminate top or walnut veneer top with a walnut edge band, 4 chrome-finished steel-tube legs, 2 solid walnut stretchers, and adjustable glides. Shipped knocked down.

Dimensions



Specification Information

Step 1.

NS5854 A

Step 2. Surface Material

L high-pressure laminate A

W veneer A

Prices for Steps 1-2.

NS5854 L	\$2644
W	\$3346

Step 3. Surface Finish

For high-pressure laminate (L)

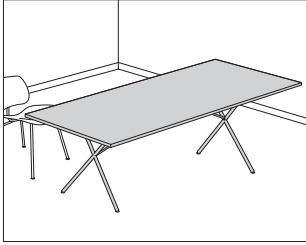
91 white A	+\$0
---	------

For veneer (W)

OU walnut A	+\$0
--	------

Nelson™ X-Leg Table

NX100.



Product Information

Description

This 28½"-high rectangular table has a laminate or veneer top with a veneer edge. Shipped knocked down.

Laminate top veneer edge colors are predetermined:

Top Color—Veneer Edge

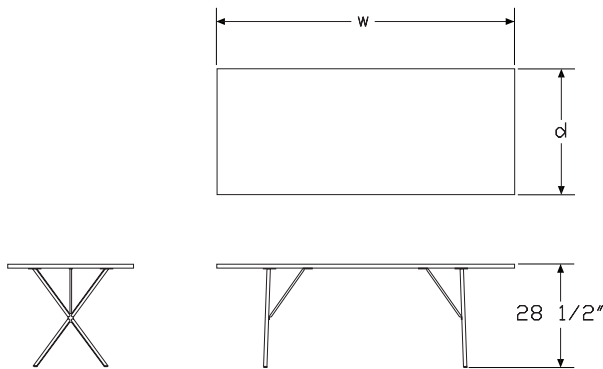
White (91)—Walnut (OU)

Studio White (98)—White Ash (A2)

Notes

Santos palisander veneer is celebrated for its unique grain and color variations. Similar products ordered in multiples or dissimilar products ordered separately should be expected to have variation in both grain and color characteristics; no two products will look exactly alike.

Dimensions



Specification Information

Step 1.

NX100. [A]

Step 2. Depth

30 30" deep [A]

36 36" deep [A]

Step 3. Width

60 60" wide [A]

72 72" wide [A]

84 84" wide [A]

Step 4. Surface Material

L laminate with veneer edge [A]

W veneer with veneer edge [A]

Prices for Steps 1-4.

	L	W
NX100. 30 60	\$2373	2636
72	\$2636	3296
84	\$3079	3955
36 60	\$2636	3296
72	\$3079	3955
84	\$3539	4547

Step 5. Top Finish

Solid-Color Laminate

For laminate with veneer edge (L)

91 white [A]	+\$0
98 studio white [A]	+\$0

Wood Veneer

For 30" deep (30) with 60" wide (60) with veneer with veneer edge (W)

OU walnut [A]	+\$0
A2 white ash [A]	+\$250
9N santos palisander [A]	+\$950

Wood Veneer

For 30" deep (30) or 36" deep (36) with 60" wide (60), or 72" wide (72), or 84" wide (84) with veneer with veneer edge (W)

OU walnut [A]	+\$0
A2 white ash [A]	+\$265
9N santos palisander [A]	+\$1009

Nelson™ X-Leg Table *continued*

HermanMiller Ancillary-Tables

Wood Veneer
For 36" deep (36) with 72" wide (72) with veneer with veneer edge (W)

OU	walnut <input type="checkbox"/> A	+\$0
A2	white ash <input type="checkbox"/> A	+\$290
9N	santos palisander <input type="checkbox"/> A	+\$1104

Wood Veneer
For 36" deep (36) with 84" wide (84) with veneer with veneer edge (W)

OU	walnut <input type="checkbox"/> A	+\$0
A2	white ash <input type="checkbox"/> A	+\$305
9N	santos palisander <input type="checkbox"/> A	+\$1161

Step 6. Leg Finish

91	white <input type="checkbox"/> A	+\$0
BK	black <input type="checkbox"/> A	+\$0
47	trivalent chrome <input type="checkbox"/> A	+\$55

Eames® Indoor/Outdoor Table, ET5C.
Round Herman Miller x HAY



Product Information

Description

This outdoor table has a glass top and comes with adjustable glides. Ships knocked down with assembly required. Top and base components ship in separate packages.

Dimensions

Specification Information

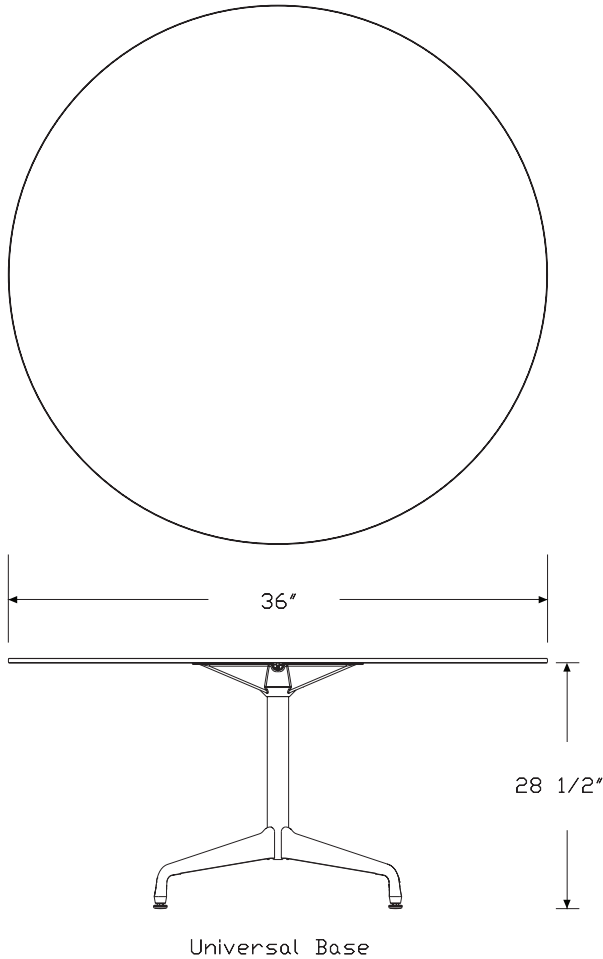
Step 1.

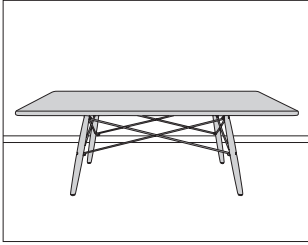
ET5C. [A] \$4975

Step 2. Color Finish

RND iron red [A] +\$0

TFE toffee [A] +\$0





Product Information

Description

This 15"-high table has a 5/8"-thick veneer surface or a stone top. The dowel base has powder-coated or chrome wire and non-adjustable nylon glides. Ships fully assembled except when specifying stone top.

Notes

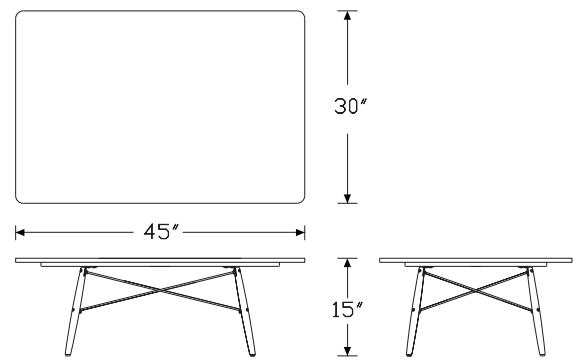
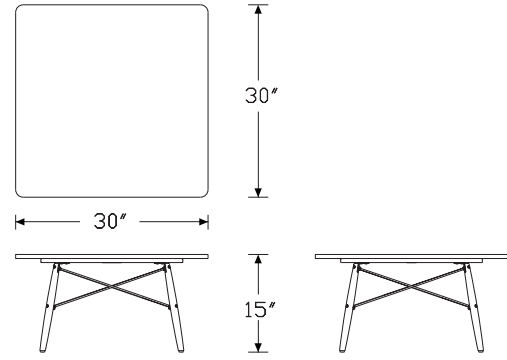
Stone top actual thickness is 5/8". Illustration dimension is nominal. Ebony (EN) and walnut (OU) dowel legs are stained ash wood with black glides.

Natural maple (UL) and white ash (A2) dowel legs have white glides. Natural characteristics in stone cause variations in hues, veins, crystals, and distinctive marks. These variations and subtle changes seen as the stone ages are values associated with natural materials. No two tabletops are identically the same; variations in both color and veining are to be expected. Over time the stone may fade in color, staining of the surface may appear, and surface cracks-if not already visible at time of purchase-may appear. Small cracks do not affect the structure of the tabletop.

Santos palisander veneer is celebrated for its unique grain and color variations. Similar products ordered in multiples or dissimilar products ordered separately should be expected to have variation in both grain and color characteristics; no two products will look exactly alike.

HermanMiller Ancillary—Occasional Tables

Dimensions



Specification Information

Step 1.

ECT A

Step 2. Size

3030 30" x 30" A

3045 30" x 45" A

Step 3. Top Material

V veneer A

S stone A

Prices for Steps 1-3.

ECT3030 V	\$1421
S	\$2960

ECT3045 V	\$1625
S	\$3871

Step 4. Top Finish

For 30" x 30" (3030) with veneer (V)

A2 white ash <input type="checkbox"/> A	+\$30
EN ebony <input type="checkbox"/> A	+\$30
OU walnut <input type="checkbox"/> A	+\$30
9N santos palisander <input type="checkbox"/> A	+\$550

For 30" x 45" (3045) with veneer (V)

A2 white ash <input type="checkbox"/> A	+\$0
EN ebony <input type="checkbox"/> A	+\$0
OU walnut <input type="checkbox"/> A	+\$50
9N santos palisander <input type="checkbox"/> A	+\$730

For stone (S)

CRR Carrara marble <input type="checkbox"/> A	+\$0
--	------

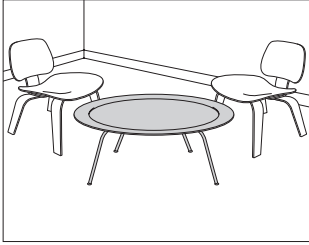
Step 5. Dowel Finish

UL natural maple <input type="checkbox"/> A	+\$0
A2 white ash <input type="checkbox"/> A	+\$30
EN ebony <input type="checkbox"/> A	+\$30
OU walnut <input type="checkbox"/> A	+\$30

Step 6. Wire Finish

91 white <input type="checkbox"/> A	+\$0
BK black <input type="checkbox"/> A	+\$0
47 trivalent chrome <input type="checkbox"/> A	+\$20

Eames® Molded Plywood Coffee Table Metal Base CTM.

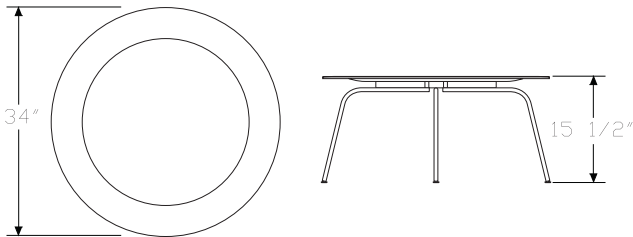


Product Information

Description
 This 15½"-high molded plywood table has natural face veneers and hardwood inner plies. It has a 5-ply, 34"-diameter top and a 4-leg metal base with self-leveling nylon glides. Shipped knocked down.

Notes
 Ebony (EN) option is stain on ash veneer; inner plies are not as visible.
 Black (BK) base finish has black glides. Trivalent chrome (47) base finish has white glides.

Dimensions

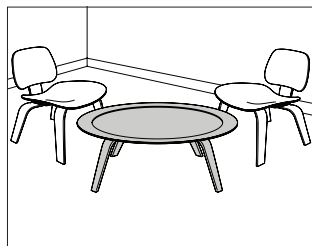


HermanMiller Ancillary—Occasional Tables

Specification Information

Step 1.		
CTM.	<input type="checkbox"/> A	\$1543
<hr/>		
Step 2. Top Finish		
OU	walnut <input type="checkbox"/> A	+\$0
EN	ebony <input type="checkbox"/> A	+\$50
A2	white ash <input type="checkbox"/> A	+\$50
<hr/>		
Step 3. Base Finish		
BK	black <input type="checkbox"/> A	+\$0
47	trivalent chrome <input type="checkbox"/> A	+\$20

Eames® Molded Plywood Coffee Table Wood Base CTW.



Product Information

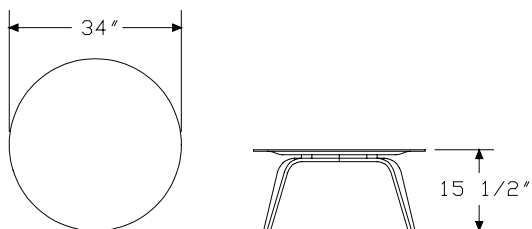
Description

This 15½"-high molded plywood table has natural face veneers and hardwood inner plies. It has a 5-ply, 34"-diameter top and an 8-ply 4-leg base. Shipped knocked down.

Notes

Ebony (EN) option is stain on ash veneer; inner plies are not as visible.

Dimensions



Specification Information

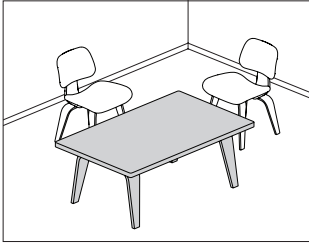
Step 1.

CTW. [A] \$1755

Step 2. Finish

EN ebony [A] +\$115
OU walnut [A] +\$0
A2 white ash [A] +\$115

Eames® Rectangular Coffee Table CTW1.



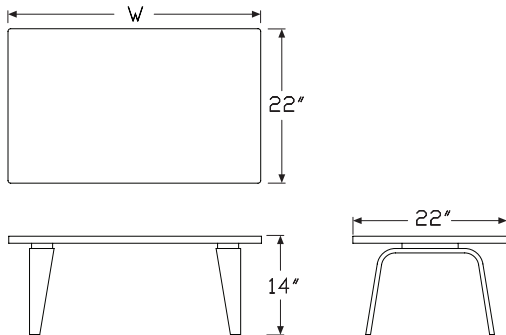
HermanMiller Ancillary—Occasional Tables

Product Information

Description
 This 14"-high table has a laminate top with veneer edge or a veneer top and edge with curved molded plywood veneer legs. Shipped knocked down.

Notes
 For white (91) laminate top option, veneer edge is walnut (OU).
 For studio white (98) laminate top option, veneer edge is white ash (A2).
 For black (BK) laminate top option, veneer edge is walnut (OU).
 Ebony (EN) option is stain on ash veneer; inner plies are not as visible.

Dimensions



Specification Information

Step 1.

CTW1. [A]

Step 2. Depth/Width

2236 22" deep x 36" wide [A]

2248 22" deep x 48" wide [A]

Step 3. Surface Material

L laminate with veneer edge [A]

W veneer with veneer edge [A]

Prices for Steps 1-3.

	L	W
CTW1. 2236	\$1472	1567
2248	\$1536	1725

Step 4. Top Finish

For laminate with veneer edge (L)

91 white [A] +\$0

98 studio white [A] +\$0

BK black [A] +\$0

For veneer with veneer edge (W)

A2 white ash [A] +\$0

EN ebony [A] +\$0

OU walnut [A] +\$0

Step 5. Leg Finish

For white (91) or black (BK)

OU walnut [A] +\$0

For walnut (OU)

OU walnut [A] +\$0

For studio white (98)

A2 white ash [A] +\$0

For white ash (A2)

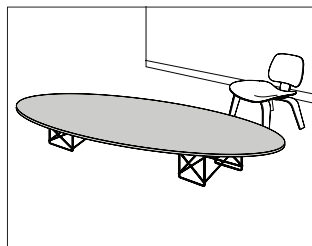
A2 white ash [A] +\$0

For ebony (EN)

EN ebony [A] +\$0

Eames® Wire Base Elliptical Table

ETRT.

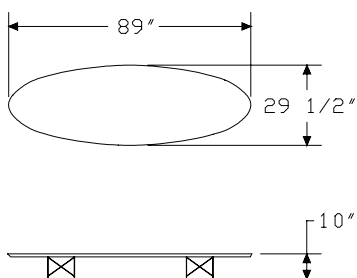


Product Information

Description

This oval table has a 7/8"-thick laminate top, a 13-ply Baltic birch core and edge, and either a powder-coated or chrome wire base.

Dimensions



Specification Information

Step 1.

ETRT. A \$1698

Step 2. Top Finish

91 white +\$0
98 studio white +\$0
BK black A +\$0

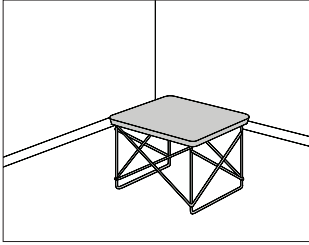
Step 3. Base Finish

47 trivalent chrome A +\$0
91 white A +\$0
98 studio white A +\$0
BK black A +\$0

HermanMiller Ancillary-Occasional Tables

Eames® Wire Base Low Table

LTRT.



HermanMiller Ancillary—Occasional Tables

Product Information

Description

This table has a 7/8"-thick laminate or veneer surface with 13-ply Baltic birch core, or 3/4"-thick stone. The base is either powder-coated or chrome wire.

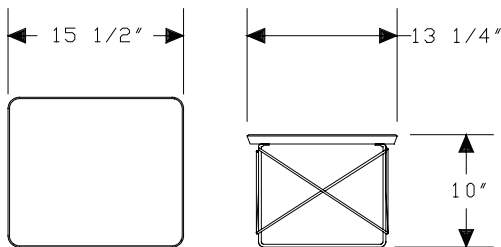
Notes

Stone has a honed finish and knife edge similar in profile to the Baltic birch core edge.

Natural characteristics in stone cause variations in hues, veins, crystals, and distinctive marks. These variations and subtle changes seen as the stone ages are values associated with natural materials. No two tabletops are identically the same; variations in both color and veining are to be expected. Over time the stone may fade in color, staining of the surface may appear, and surface cracks-if not already visible at time of purchase-may appear. Small cracks do not affect the structure of the tabletop.

Santos palisander veneer is celebrated for its unique grain and color variations. Similar products ordered in multiples or dissimilar products ordered separately should be expected to have variation in both grain and color characteristics; no two products will look exactly alike.

Dimensions



Specification Information

Step 1.

LTRT. A \$309

Step 2. Top Finish

Solid-Color Laminate

91	white	+\$0
98	studio white	+\$0
BK	black A	+\$0

Wood Veneer

OU	walnut A	+\$100
A2	white ash A	+\$110
9N	santos palisander A	+\$255

Stone

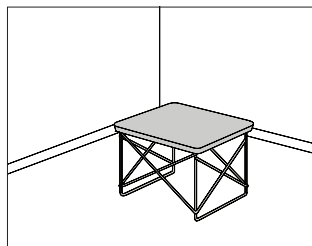
5U	georgia grey marble A	+\$1359
CRR	Carrara marble A	+\$1289

Step 3. Base Finish

91	white A	+\$0
98	studio white A	+\$0
BK	black A	+\$0
47	trivalent chrome A	+\$20

Eames® Wire Base Low Table
Herman Miller x HAY

LTRTC.

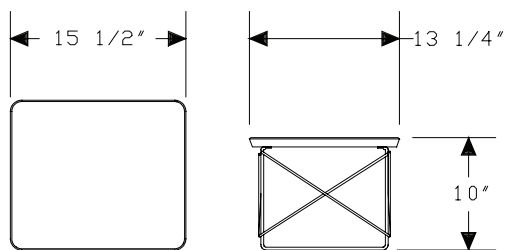


Product Information

Description

This table has a 1/2"-thick back-painted glass top and a powder-coated wire base.

Dimensions



Specification Information

Step 1.

LTRTC. [A]

Step 2. Top/Base Finish

LMP mint green top, powder yellow base [A]

LPT powder pink top, toffee base [A]

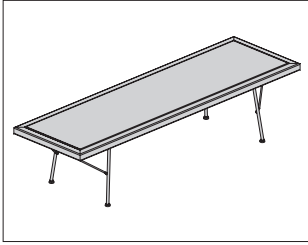
LRL iron red top, black blue base [A]

Prices for Steps 1-2.

LTRTC. LMP	\$986
LPT	\$986
LRL	\$986

Nelson™ Cane Bench

5291.

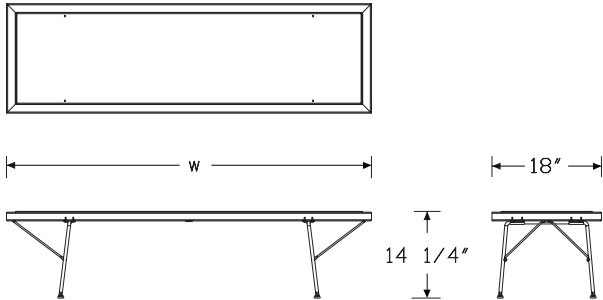


Product Information

Description

This bench has a solid maple or walnut top with cane inset and metal base with metal leveling glides.

Dimensions



HermanMiller Ancillary—Occasional Tables

Specification Information

Step 1.

5291. A

Step 2. Width

- 48 48" wide A
- 60 60" wide A
- 72 72" wide A

Prices for Steps 1-2.

5291. 48	\$2006
60	\$2249
72	\$2493

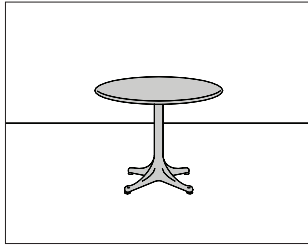
Step 3. Top Finish

- UL natural maple A +\$0
- OU walnut A +\$550

Step 4. Base Finish

- 47 trivalent chrome A +\$0
- BK black A +\$0

Nelson™ Pedestal Table



5451L 5454L
 5451S 5454S
 5451W 5454W
 5452L 5455L
 5452S 5455S
 5452W 5455W
 5453L
 5453S
 5453W

Product Information

Description

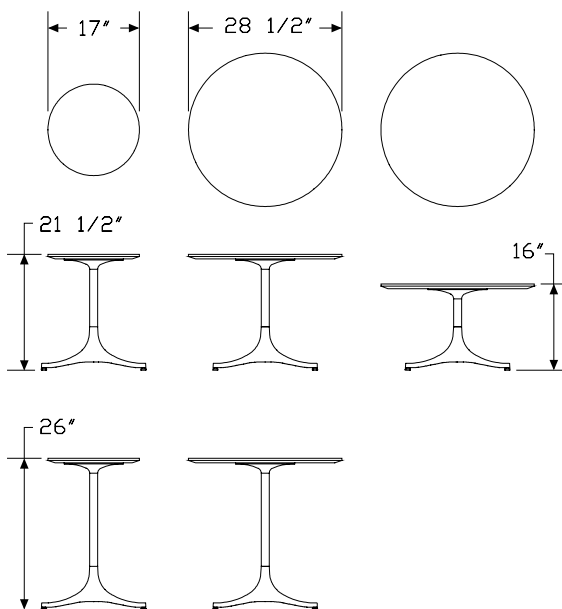
This round table has either a 7/8"-thick laminate top with a veneer edge, a veneer top and edge, or a 3/4"-thick stone top with a honed finish. Each top has a knife profile edge. Base is aluminum with adjustable glides.

Notes

Natural characteristics in stone cause variations in hues, veins, crystals, and distinctive marks. These variations and subtle changes seen as the stone ages are values associated with natural materials. No two tabletops are identically the same; variations in both color and veining are to be expected. Over time the stone may fade in color, staining of the surface may appear, and surface cracks-if not already visible at time of purchase-may appear. Small cracks do not affect the structure of the tabletop.

Santos palisander veneer is celebrated for its unique grain and color variations. Similar products ordered in multiples or dissimilar products ordered separately should be expected to have variation in both grain and color characteristics; no two products will look exactly alike.

Dimensions



Specification Information

Step 1.

545 [A]

Step 2. Height/Diameter

- 1 21 1/2" high x 17" diameter [A]
- 5 26" high x 17" diameter [A]
- 2 16" high x 28 1/2" diameter [A]
- 3 21 1/2" high x 28 1/2" diameter [A]
- 4 26" high x 28 1/2" diameter [A]

Step 3. Surface Material

- L laminate top [A]
- W veneer top [A]
- S stone top [A]

Prices for Steps 1-3.

5451L	\$1088
5451W	\$1260
5451S	\$3030
5455L	\$1088
5455W	\$1260
5455S	\$3030
5452L	\$1300
5452W	\$1599
5452S	\$4830
5453L	\$1300
5453W	\$1599
5453S	\$4830
5454L	\$1300
5454W	\$1599
5454S	\$4830

Step 4. Base Finish

91 white [A]	+\$0
98 studio white [A]	+\$0
BK black [A]	+\$0
L polished aluminum [A]	+\$0

Step 5. Top Finish

For laminate top (L)

91 white [A]	+\$0
98 studio white [A]	+\$0
BK black [A]	+\$0

Nelson™ Pedestal Table *continued*

HermanMiller Ancillary—Occasional Tables

<i>For 21½" high x 17" diameter (1) with veneer top (W)</i>		
OU	walnut A	+\$0
A2	white ash A	+\$65
9N	santos palisander A	+\$215
EN	ebony stain on white ash A	+\$65

<i>For 26" high x 17" diameter (5) with veneer top (W)</i>		
OU	walnut A	+\$0
A2	white ash A	+\$65
9N	santos palisander A	+\$215
EN	ebony stain on white ash A	+\$65

<i>For 16" high x 28½" diameter (2) with veneer top (W)</i>		
OU	walnut A	+\$0
A2	white ash A	+\$95
9N	santos palisander A	+\$361
EN	ebony stain on white ash A	+\$95

<i>For 21½" high x 28½" diameter (3) with veneer top (W)</i>		
OU	walnut A	+\$0
A2	white ash A	+\$95
9N	santos palisander A	+\$361
EN	ebony stain on white ash A	+\$95

<i>For 26" high x 28½" diameter (4) with veneer top (W)</i>		
OU	walnut A	+\$0
A2	white ash A	+\$95
9N	santos palisander A	+\$361
EN	ebony stain on white ash A	+\$95

<i>For 21½" high x 17" diameter (1) with stone top (S)</i>		
5U	georgia grey marble A	+\$225
CRR	Carrara marble A	+\$100

<i>For 26" high x 17" diameter (5) with stone top (S)</i>		
5U	georgia grey marble A	+\$225
CRR	Carrara marble A	+\$100

<i>For 16" high x 28½" diameter (2) with stone top (S)</i>		
5U	georgia grey marble A	+\$360
CRR	Carrara marble A	+\$285

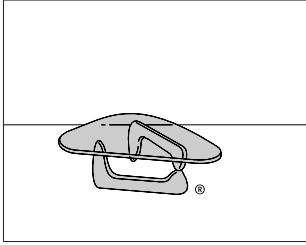
<i>For 21½" high x 28½" diameter (3) with stone top (S)</i>		
5U	georgia grey marble A	+\$360
CRR	Carrara marble A	+\$285

<i>For 26" high x 28½" diameter (4) with stone top (S)</i>		
5U	georgia grey marble A	+\$360
CRR	Carrara marble A	+\$285

Step 6. Edge Band Detail		
<i>For laminate top (L)</i>		
A2	white ash A	+\$50
9N	santos palisander A	+\$100
OU	walnut A	+\$25
UL	natural maple A	+\$0

Noguchi® Table

IN50

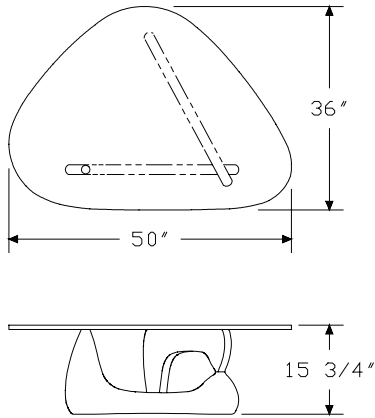


Product Information

Description

This table has a 3/4"-thick plate-glass top and a 2-piece wood base. Isamu Noguchi's signature appears on the edge of the glass top. An oval medallion with his signature and the Herman Miller logo is attached to the underside of the base. A certificate of authenticity is included with each table. Shipped knocked down.

Dimensions



Specification Information

Step 1.

IN50 A \$2949

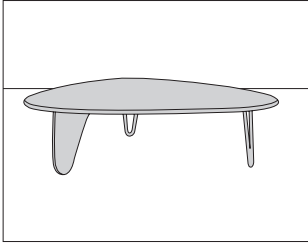
Step 2. Base Finish

E3 noguchi black A +\$50
OU walnut A +\$150
A2 white ash A +\$150
WHN natural white oak A +\$150

HermanMiller Ancillary-Occasional Tables

Noguchi® Rudder Table

IN52



Product Information

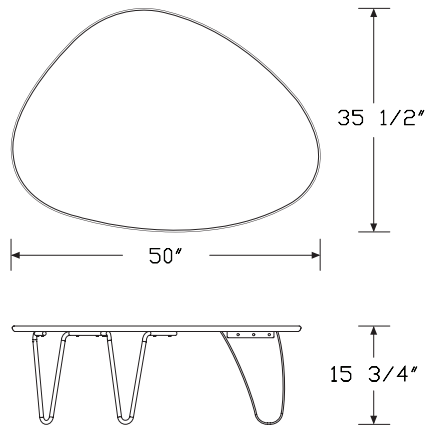
Description

This table has a 7/8"-thick top made from a Baltic birch core with veneer surface and beveled edge. Rudder leg is solid wood with veneer surface; hairpin legs are metal. Shipped knocked down.

Notes

Base finish only refers to the metal hairpin leg portion; rudder leg will follow the same species as the top finish.

Dimensions



Specification Information

Step 1.

IN52 A \$2197

Step 2. Top Finish

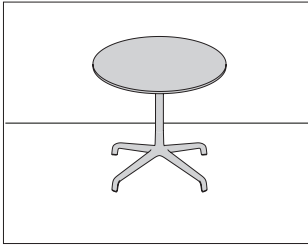
A2 white ash A +\$135

FD ebony on maple A +\$0

OU walnut A +\$135

Step 3. Base Finish

47 trivalent chrome A +\$20



Product Information

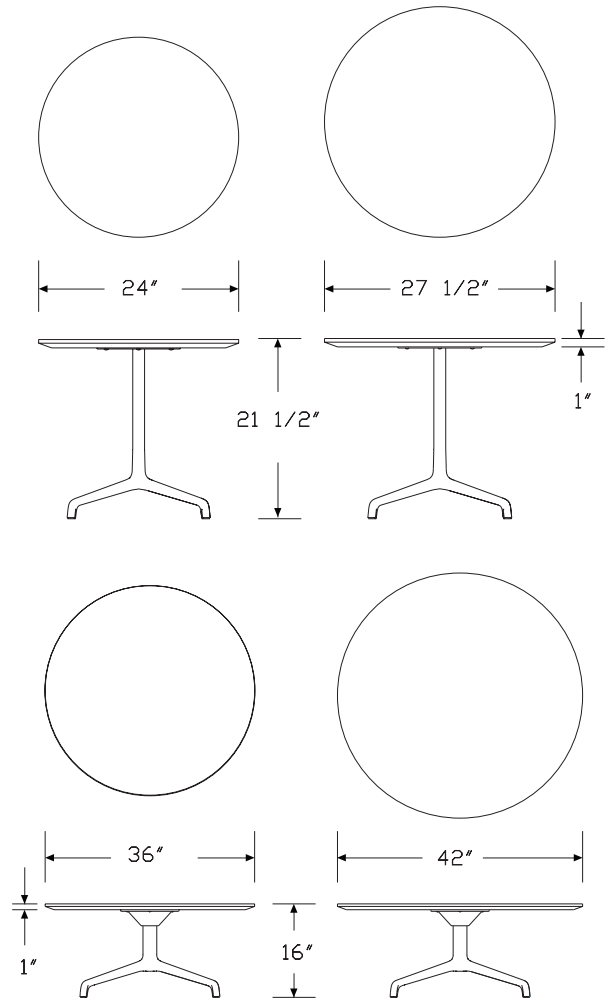
Description

This pedestal table comes in 2 heights and several top sizes with a choice of veneer, laminate, stone, or back-painted glass top with modified bullnose edge. Glass top is 1/2" thick and has a satin etch finish. Table has adjustable glides. Shipped knocked down.

Notes

36" and 42" diameter tables may accommodate USB and power.
 Single center cutout, no grommet (CC) must be specified.
 For power access, order round power module (ET991.) separately.
 Santos palisander veneer is celebrated for its unique grain and color variations. Similar products ordered in multiples or dissimilar products ordered separately should be expected to have variation in both grain and color characteristics; no two products will look exactly alike.

Dimensions



HermanMiller Ancillary-Occasional Tables

Specification Information

Step 1.

CCL500. A

Step 2. Height/Diameter

- 1636** 16" high x 36" diameter A
- 1642** 16" high x 42" diameter A
- 2124** 21.5" high x 24" diameter A
- 2128** 21.5" high x 27.5" diameter A

Step 3. Surface Material

- W** veneer top with veneer edge A
- G** back-painted glass top A
- L** laminate top A
- S** stone top A

Step 4. Grommets

For 16" high x 36" diameter (1636) or 16" high x 42" diameter (1642)

- NG** no grommet A
- CC** single center cutout, no grommet A
- CG** single center cutout, with grommet A

For 21.5" high x 24" diameter (2124) or 21.5" high x 27.5" diameter (2128)

- NG** no grommet A

Prices for Steps 1-4.

		NG	CC	CG
CCL500. 1636 W		\$1857	1857	1871
	G	\$4039	4221	4194
	L	\$1476	1490	1509
	S	\$6978	7070	7086
	1642 W	\$2491	2491	2505
	G	\$5240	5426	5395
	L	\$1868	1883	1898
	S	\$9489	9579	9597
	2124 W	\$1515	—	—
	G	\$2589	—	—
	L	\$1186	—	—
	S	\$5259	—	—
	2128 W	\$1608	—	—
	G	\$3202	—	—
	L	\$1278	—	—
	S	\$5846	—	—

Step 5. Top Finish

For 16" high x 36" diameter (1636), 16" high x 42" diameter (1642), 21.5" high x 24" diameter (2124), or 21.5" high x 27.5" diameter (2128) with back-painted glass top (G)

- 91** white A +\$0
- 8Q** folkstone grey A +\$0
- WN** warm grey neutral A +\$0
- BK** black A +\$0

For 21.5" high x 24" diameter (2124) with veneer top with veneer edge (W)

- A2** white ash A +\$0
- EN** ebony A +\$11
- OU** walnut A +\$11
- 9N** santos palisander A +\$118

For 21.5" high x 27.5" diameter (2128) with veneer top with veneer edge (W)

- A2** white ash A +\$0
- EN** ebony A +\$11
- OU** walnut A +\$11
- 9N** santos palisander A +\$147

For 16" high x 36" diameter (1636) with veneer top with veneer edge (W)

- A2** white ash A +\$0
- EN** ebony A +\$22
- OU** walnut A +\$22
- 9N** santos palisander A +\$253

For 16" high x 42" diameter (1642) with veneer top with veneer edge (W)

- A2** white ash A +\$0
- EN** ebony A +\$22
- OU** walnut A +\$22
- 9N** santos palisander A +\$340

For 16" high x 36" diameter (1636), 16" high x 42" diameter (1642), 21.5" high x 24" diameter (2124), or 21.5" high x 27.5" diameter (2128) with laminate top (L)

- 91** white A +\$0
- 8Q** folkstone grey A +\$0
- WN** warm grey neutral A +\$0
- BK** black A +\$0

Striad® Pedestal Table *continued*

For 21.5" high x 24" diameter (2124) with stone top (S)

QPL	pearl quartz <input type="checkbox"/>	+\$0
QCN	concrete quartz <input type="checkbox"/>	+\$0
CRR	Carrara marble <input type="checkbox"/>	+\$264
5U	georgia grey marble <input type="checkbox"/>	+\$302

For 21.5" high x 27.5" diameter (2128) with stone top (S)

QPL	pearl quartz <input type="checkbox"/>	+\$0
QCN	concrete quartz <input type="checkbox"/>	+\$0
CRR	Carrara marble <input type="checkbox"/>	+\$276
5U	georgia grey marble <input type="checkbox"/>	+\$313

For 16" high x 36" diameter (1636) with stone top (S)

QPL	pearl quartz <input type="checkbox"/>	+\$0
QCN	concrete quartz <input type="checkbox"/>	+\$0
CRR	Carrara marble <input type="checkbox"/>	+\$200
5U	georgia grey marble <input type="checkbox"/>	+\$244

For 16" high x 42" diameter (1642) with stone top (S)

QPL	pearl quartz <input type="checkbox"/>	+\$0
QCN	concrete quartz <input type="checkbox"/>	+\$0
CRR	Carrara marble <input type="checkbox"/>	+\$238
5U	georgia grey marble <input type="checkbox"/>	+\$276

Step 6. Grommet Finish

For 16" high x 36" diameter (1636) or 16" high x 42" diameter (1642) with single center cutout, with grommet (CG)

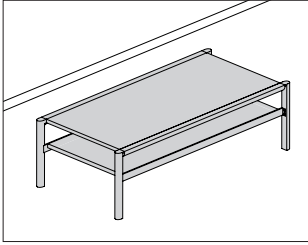
91	white <input type="checkbox"/>	+\$0
BK	black <input type="checkbox"/>	+\$0
PA	polished aluminum <input type="checkbox"/>	+\$0

Step 7. Base Finish

91	white <input type="checkbox"/>	+\$0
BK	black <input type="checkbox"/>	+\$0
PA	polished aluminum <input type="checkbox"/>	+\$0

Brabo Occasional Table

AV3AL
AV3AW
AV3WL
AV3WW



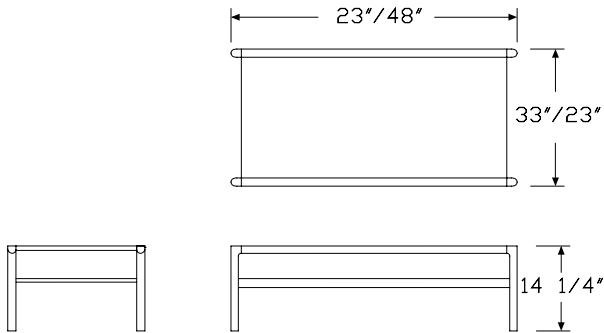
HermanMiller Ancillary—Occasional Tables

Product Information

Description

This table has a solid ash or walnut frame, and steel-plated metal in one of several metal finishes. Tops can be specified in wood veneer or leather-wrapped. Available as a side table or coffee table.

Dimensions



Specification Information

Step 1.

AV A

Step 2. Table Type

- 3AL** ash wood top with leather A
- 3WL** walnut wood top with leather A
- 3AW** ash wood top with wood A
- 3WW** walnut wood top with wood A

Step 3. Size

- 332314** 23" wide side table A
- 234814** 48" wide coffee table A

Prices for Steps 1-3.

AV3AL	-332314	\$3778
	-234814	\$4155
AV3WL	-332314	\$3918
	-234814	\$4350
AV3AW	-332314	\$3778
	-234814	\$4155
AV3WW	-332314	\$3918
	-234814	\$4350

Step 4. Wood Finish

Anigre Veneer - Low Sheen

For ash wood top with leather (3AL) or ash wood top with wood (3AW)

- 967** smoked paldao, low sheen A +\$0
- 969** warm paldao, low sheen A +\$0

Premium Veneer - Matte

For ash wood top with leather (3AL) or ash wood top with wood (3AW)

- 66A** frosty ash recograin, quarter cut, matte sheen A +\$0
- 677** chocolate ash, matte sheen A +\$0
- 68R** recograin rosewood A +\$0
- 69A** recograin frosty ash A +\$0
- 69R** recograin rosewood A +\$0
- 69T** recograin teak A +\$0
- 6K1** rift oak A +\$0
- ET** clear on ash A +\$0
- EU** oak on ash A +\$0
- EV** walnut on ash A +\$0
- GOU** natural walnut, flat cut, matte sheen A +\$0

Brabo Occasional Table *continued*

Premium Veneer - Low Sheen

For ash wood top with leather (3AL) or ash wood top with wood (3AW)

940	sundance cherry on maple [A]	+\$0
943	caramel cherry [A]	+\$0
946	cocoa cherry [A]	+\$0
956	cocoa sapele [A]	+\$0
962	toasted walnut, low sheen [A]	+\$0
963	charred walnut, low sheen [A]	+\$0
964	bronzed walnut, low sheen [A]	+\$0
965	smoked walnut, low sheen [A]	+\$0
966	coffee walnut, low sheen [A]	+\$0
977	chocolate ash, low sheen [A]	+\$0
98R	recograin rosewood [A]	+\$0
991	champagne ash [A]	+\$0
998	ebony ash [A]	+\$0
99A	recograin frosty ash [A]	+\$0
99R	recograin rosewood [A]	+\$0
99T	recograin teak [A]	+\$0
9A1	white ash, quarter cut, low sheen [A]	+\$0
9K1	rift oak, rift cut, low sheen [A]	+\$0
9K6	burnt oak, rift cut, low sheen [A]	+\$0
G2U	light brown walnut, low sheen [A]	+\$0
G40	dark brown walnut, low sheen [A]	+\$0

RecoGrain Veneer

For ash wood top with leather (3AL) or ash wood top with wood (3AW)

68W	recograin walnut, flat cut, matte sheen [A]	+\$0
69W	recograin walnut, quarter cut, matte sheen [A]	+\$0

For ash wood top with leather (3AL) or ash wood top with wood (3AW)

98W	recograin walnut, flat cut, low sheen [A]	+\$0
99W	recograin walnut, quarter cut, low sheen [A]	+\$0

Matte Wood Finishes

For ash wood top with leather (3AL) or ash wood top with wood (3AW)

6A1	white ash [A]	+\$0
6K6	burnt oak [A]	+\$0

Premium Veneer - Low Sheen

For walnut wood top with leather (3WL) or walnut wood top with wood (3WW)

962	toasted walnut, low sheen [A]	+\$0
963	charred walnut, low sheen [A]	+\$0
964	bronzed walnut, low sheen [A]	+\$0
965	smoked walnut, low sheen [A]	+\$0
966	coffee walnut, low sheen [A]	+\$0
972	sundance walnut [A]	+\$0
98R	recograin rosewood [A]	+\$0
99R	recograin rosewood [A]	+\$0
G2U	light brown walnut, low sheen [A]	+\$0
G40	dark brown walnut, low sheen [A]	+\$0

Premium Veneer - Matte

For walnut wood top with leather (3WL) or walnut wood top with wood (3WW)

662	toasted walnut, matte sheen [A]	+\$0
663	charred walnut, matte sheen [A]	+\$0
664	bronzed walnut, matte sheen [A]	+\$0
665	smoked walnut, matte sheen [A]	+\$0
666	coffee walnut, matte sheen [A]	+\$0
667	smoked paldao, quarter cut, matte sheen [A]	+\$0
669	warm paldao, quarter cut, matte sheen [A]	+\$0
68R	recograin rosewood [A]	+\$0
69R	recograin rosewood [A]	+\$0
GOU	natural walnut, flat cut, matte sheen [A]	+\$0

Anigre Veneer - Low Sheen

For walnut wood top with leather (3WL) or walnut wood top with wood (3WW)

967	smoked paldao, low sheen [A]	+\$0
969	warm paldao, low sheen [A]	+\$0

Step 5. Leather Top

For ash wood top with leather (3AL) or walnut wood top with leather (3WL) with 23" wide side table (-332314)

Price Category 11 +\$260

For ash wood top with leather (3AL) or walnut wood top with leather (3WL) with 48" wide coffee table (-234814)

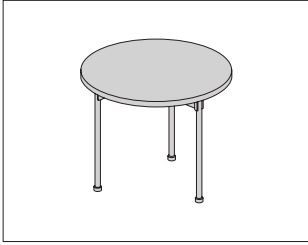
Price Category 11 +\$389

Step 6. Base Finish

CHR	chrome [A]	+\$0
SAC	satin chrome [A]	+\$0

Claw Table

ACL1A

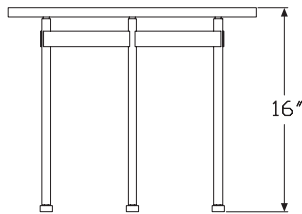
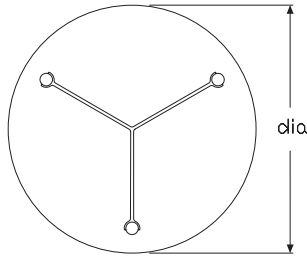


Product Information

Description

The table top is 3/4" thick clear glass with a metal base.

Dimensions



Specification Information

Step 1.

ACL1A

Step 2. Dimensions

- 20** 20" diameter x 16" high
- 24** 24" diameter x 16" high
- 36** 36" diameter x 16" high

Prices for Steps 1-2.

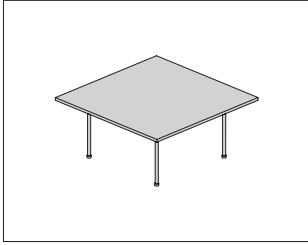
ACL1A -20	\$3676
-24	\$4047
-36	\$4476

Step 3. Base Finish

926 black <input type="checkbox"/>	+\$0
CHR chrome <input type="checkbox"/>	+\$0
EH metallic bronze <input type="checkbox"/>	+\$0
MS metallic silver <input type="checkbox"/>	+\$0
SAC satin chrome <input type="checkbox"/>	+\$0

Claw Occasional Table, Square

ACL2A

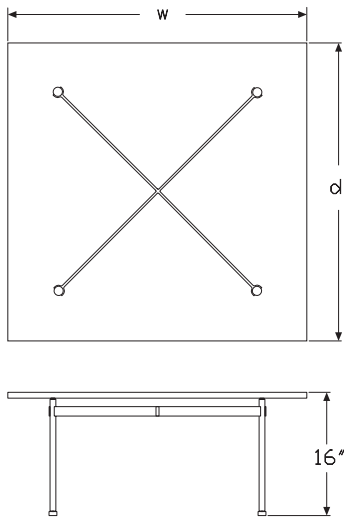


Product Information

Description

The table top is $\frac{3}{4}$ " thick clear glass with a metal base.

Dimensions



Specification Information

Step 1.

ACL2A

Step 2. Dimensions

-3636 36" square x 16" high

-4040 40" square x 16" high

Prices for Steps 1-2.

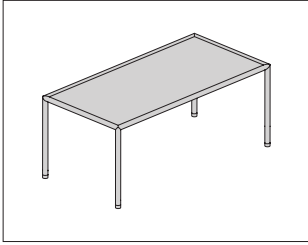
ACL2A -3636	\$4506
-4040	\$4858

Step 3. Base Finish

926 black <input type="checkbox"/>	+\$0
CHR chrome <input type="checkbox"/>	+\$0
EH metallic bronze <input type="checkbox"/>	+\$0
MS metallic silver <input type="checkbox"/>	+\$0
SAC satin chrome <input type="checkbox"/>	+\$0

Full Round Table

AWR2-



Product Information

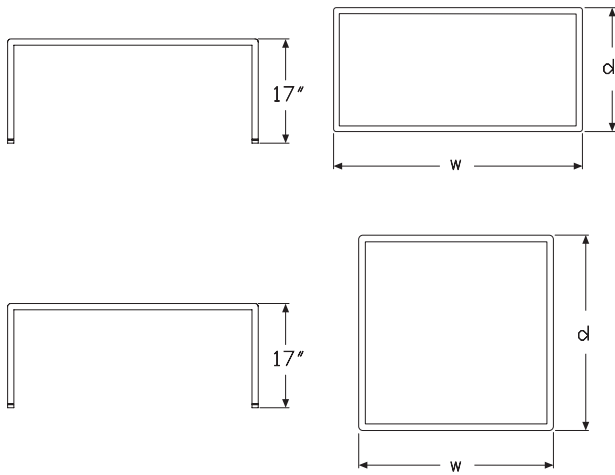
Description

This table has a wood top and metal base.

Notes

Santos palisander veneer is celebrated for its unique grain and color variations. Similar products ordered in multiples or dissimilar products ordered separately should be expected to have variation in both grain and color characteristics; no two products will look exactly alike.

Dimensions



Specification Information

Step 1.

AWR2 A

Step 2. Dimensions

- 2020 20" square x 17" high A
- 2424 24" square x 17" high A
- 3030 30" square x 17" high A
- 3020 30" deep x 20" wide x 17" high A
- 4020 40" deep x 20" wide x 17" high A

Prices for Steps 1-2.

AWR2-2020	\$2271
AWR2-2424	\$2573
AWR2-3030	\$3083
AWR2-3020	\$2810
AWR2-4020	\$3006

Full Round Table *continued*

Step 3. Wood Finish

Premium Veneer - Low Sheen

For 20" square x 17" high (-2020)

931	champagne anigre (natural) <input type="checkbox"/>	+\$670
932	sundance anigre <input type="checkbox"/>	+\$670
933	caramel anigre <input type="checkbox"/>	+\$670
934	henna anigre <input type="checkbox"/>	+\$670
941	natural beech <input type="checkbox"/>	+\$0
942	sundance cherry (natural) <input type="checkbox"/>	+\$0
943	caramel cherry <input type="checkbox"/>	+\$0
946	cocoa cherry <input type="checkbox"/>	+\$0
951	natural anigre <input type="checkbox"/>	+\$670
956	cocoa sapele <input type="checkbox"/>	+\$0
962	toasted walnut, low sheen <input type="checkbox"/>	+\$0
963	charred walnut, low sheen <input type="checkbox"/>	+\$0
964	bronzed walnut, low sheen <input type="checkbox"/>	+\$0
965	smoked walnut, low sheen <input type="checkbox"/>	+\$0
966	coffee walnut, low sheen <input type="checkbox"/>	+\$0
967	smoked paldao, low sheen <input type="checkbox"/>	+\$252
969	warm paldao, low sheen <input type="checkbox"/>	+\$252
972	sundance walnut <input type="checkbox"/>	+\$0
977	chocolate ash, low sheen <input type="checkbox"/>	+\$0
978	natural oak <input type="checkbox"/>	+\$0
981	champagne hickory (natural) <input type="checkbox"/>	+\$0
98R	recograin rosewood <input type="checkbox"/>	+\$0
991	champagne ash <input type="checkbox"/>	+\$0
998	ebony ash <input type="checkbox"/>	+\$0
99A	recograin frosty ash <input type="checkbox"/>	+\$0
99R	recograin rosewood <input type="checkbox"/>	+\$0
99T	recograin teak <input type="checkbox"/>	+\$0
9A1	white ash, quarter cut, low sheen <input type="checkbox"/>	+\$0
9K1	rift oak, rift cut, low sheen <input type="checkbox"/>	+\$0
9K6	burnt oak, rift cut, low sheen <input type="checkbox"/>	+\$0
G2U	light brown walnut, low sheen <input type="checkbox"/>	+\$0
G40	dark brown walnut, low sheen <input type="checkbox"/>	+\$0

Premium Veneer - Matte

For 20" square x 17" high (-2020)

662	toasted walnut, matte sheen <input type="checkbox"/>	+\$0
663	charred walnut, matte sheen <input type="checkbox"/>	+\$0
664	bronzed walnut, matte sheen <input type="checkbox"/>	+\$0
665	smoked walnut, matte sheen <input type="checkbox"/>	+\$0
666	coffee walnut, matte sheen <input type="checkbox"/>	+\$0
667	smoked paldao, quarter cut, matte sheen <input type="checkbox"/>	+\$252
669	warm paldao, quarter cut, matte sheen <input type="checkbox"/>	+\$252
66A	recograin frosty ash <input type="checkbox"/>	+\$0
677	chocolate ash, matte sheen <input type="checkbox"/>	+\$0
678	natural oak <input type="checkbox"/>	+\$0
68R	recograin rosewood <input type="checkbox"/>	+\$0
69A	recograin frosty ash <input type="checkbox"/>	+\$0
69R	recograin rosewood <input type="checkbox"/>	+\$0
69T	recograin teak <input type="checkbox"/>	+\$0
6A1	white ash <input type="checkbox"/>	+\$0
6K1	rift oak <input type="checkbox"/>	+\$0
6K6	burnt oak <input type="checkbox"/>	+\$0
ET	clear on ash <input type="checkbox"/>	+\$0
EU	oak on ash <input type="checkbox"/>	+\$0
EV	walnut on ash <input type="checkbox"/>	+\$0
GOU	natural walnut, flat cut, matte sheen <input type="checkbox"/>	+\$0

RecoGrain Veneer

For 20" square x 17" high (-2020)

68W	recograin walnut, flat cut, matte sheen <input type="checkbox"/>	-\$84
69K	recograin oak, quarter cut, matte sheen <input type="checkbox"/>	-\$84
69W	recograin walnut, quarter cut, matte sheen <input type="checkbox"/>	-\$84

Recon Veneer -

For 20" square x 17" high (-2020)

98W	recograin walnut, flat cut, low sheen <input type="checkbox"/>	-\$84
99K	recograin oak, quarter cut, low sheen <input type="checkbox"/>	-\$84
99W	recograin walnut, quarter cut, low sheen <input type="checkbox"/>	-\$84

Full Round Table *continued*

For 24" square x 17" high (-2424)

662	toasted walnut, matte sheen A	+\$0
663	charred walnut, matte sheen A	+\$0
664	bronzed walnut, matte sheen A	+\$0
665	smoked walnut, matte sheen A	+\$0
666	coffee walnut, matte sheen A	+\$0
667	smoked paldao, quarter cut, matte sheen A	+\$285
669	warm paldao, quarter cut, matte sheen A	+\$285
66A	frosty ash recograin, quarter cut, matte sheen A	+\$0
677	chocolate ash, matte sheen A	+\$0
678	natural oak A	+\$0
68R	recograin rosewood A	+\$0
69A	recograin frosty ash A	+\$0
69R	recograin rosewood A	+\$0
69T	recograin teak A	+\$0
6A1	white ash A	+\$0
6K1	rift oak A	+\$0
6K6	burnt oak A	+\$0
ET	clear on ash A	+\$0
EU	oak on ash A	+\$0
EV	walnut on ash A	+\$0
GOU	natural walnut, flat cut, matte sheen A	+\$0

For 24" square x 17" high (-2424)

68W	recograin walnut, flat cut, matte sheen A	-\$95
69K	recograin oak, quarter cut, matte sheen A	-\$95
69W	recograin walnut, quarter cut, matte sheen A	-\$95

For 24" square x 17" high (-2424)

98W	recograin walnut, flat cut, low sheen A	-\$95
99K	recograin oak, quarter cut, low sheen A	-\$95
99W	recograin walnut, quarter cut, low sheen A	-\$95

For 24" square x 17" high (-2424)

931	champagne anigre (natural) A	+\$759
932	sundance anigre A	+\$759
933	caramel anigre A	+\$759
934	henna anigre A	+\$759
941	natural beech A	+\$0
942	sundance cherry (natural) A	+\$0
943	caramel cherry A	+\$0
946	cocoa cherry A	+\$0
951	natural anigre A	+\$759
956	cocoa sapele A	+\$0
962	toasted walnut, low sheen A	+\$0
963	charred walnut, low sheen A	+\$0
964	bronzed walnut, low sheen A	+\$0
965	smoked walnut, low sheen A	+\$0
966	coffee walnut, low sheen A	+\$0
967	smoked paldao, low sheen A	+\$285
969	warm paldao, low sheen A	+\$285
972	sundance walnut A	+\$0
977	chocolate ash, low sheen A	+\$0
978	natural oak A	+\$0
981	champagne hickory (natural) A	+\$0
98R	recograin rosewood A	+\$0
991	champagne ash A	+\$0
998	ebony ash A	+\$0
99A	recograin frosty ash A	+\$0
99R	recograin rosewood A	+\$0
99T	recograin teak A	+\$0
9A1	white ash, quarter cut, low sheen A	+\$0
9K1	rift oak, rift cut, low sheen A	+\$0
9K6	burnt oak, rift cut, low sheen A	+\$0
G2U	light brown walnut, low sheen A	+\$0
G40	dark brown walnut, low sheen A	+\$0

Full Round Table *continued*

For 30" square x 17" high (-3030)

662	toasted walnut, matte sheen <input type="checkbox"/>	+\$0
663	charred walnut, matte sheen <input type="checkbox"/>	+\$0
664	bronzed walnut, matte sheen <input type="checkbox"/>	+\$0
665	smoked walnut, matte sheen <input type="checkbox"/>	+\$0
666	coffee walnut, matte sheen <input type="checkbox"/>	+\$0
667	smoked paldao, quarter cut, matte sheen <input type="checkbox"/>	+\$341
669	warm paldao, quarter cut, matte sheen <input type="checkbox"/>	+\$341
66A	recograin frosty ash <input type="checkbox"/>	+\$0
677	chocolate ash, matte sheen <input type="checkbox"/>	+\$0
678	natural oak <input type="checkbox"/>	+\$0
68R	recograin rosewood <input type="checkbox"/>	+\$0
69A	recograin frosty ash <input type="checkbox"/>	+\$0
69R	recograin rosewood <input type="checkbox"/>	+\$0
69T	recograin teak <input type="checkbox"/>	+\$0
6A1	white ash <input type="checkbox"/>	+\$0
6K1	rift oak <input type="checkbox"/>	+\$0
6K6	burnt oak <input type="checkbox"/>	+\$0
ET	clear on ash <input type="checkbox"/>	+\$0
EU	oak on ash <input type="checkbox"/>	+\$0
EV	walnut on ash <input type="checkbox"/>	+\$0
GOU	natural walnut, flat cut, matte sheen <input type="checkbox"/>	+\$0

For 30" square x 17" high (-3030)

68W	recograin walnut, flat cut, matte sheen <input type="checkbox"/>	-\$114
69K	recograin oak, quarter cut, matte sheen <input type="checkbox"/>	-\$114
69W	recograin walnut, quarter cut, matte sheen <input type="checkbox"/>	-\$114

For 30" square x 17" high (-3030)

98W	recograin walnut, flat cut, low sheen <input type="checkbox"/>	-\$114
99K	recograin oak, quarter cut, low sheen <input type="checkbox"/>	-\$114
99W	recograin walnut, quarter cut, low sheen <input type="checkbox"/>	-\$114

For 30" square x 17" high (-3030)

931	champagne anigre (natural) <input type="checkbox"/>	+\$909
932	sundance anigre <input type="checkbox"/>	+\$909
933	caramel anigre <input type="checkbox"/>	+\$909
934	henna anigre <input type="checkbox"/>	+\$909
941	natural beech <input type="checkbox"/>	+\$0
942	sundance cherry (natural) <input type="checkbox"/>	+\$0
943	caramel cherry <input type="checkbox"/>	+\$0
946	cocoa cherry <input type="checkbox"/>	+\$0
951	natural anigre <input type="checkbox"/>	+\$909
956	cocoa sapele <input type="checkbox"/>	+\$0
962	toasted walnut, low sheen <input type="checkbox"/>	+\$0
963	charred walnut, low sheen <input type="checkbox"/>	+\$0
964	bronzed walnut, low sheen <input type="checkbox"/>	+\$0
965	smoked walnut, low sheen <input type="checkbox"/>	+\$0
966	coffee walnut, low sheen <input type="checkbox"/>	+\$0
967	smoked paldao, low sheen <input type="checkbox"/>	+\$341
969	warm paldao, low sheen <input type="checkbox"/>	+\$341
972	sundance walnut <input type="checkbox"/>	+\$0
977	chocolate ash, low sheen <input type="checkbox"/>	+\$0
978	natural oak <input type="checkbox"/>	+\$0
981	champagne hickory (natural) <input type="checkbox"/>	+\$0
98R	recograin rosewood <input type="checkbox"/>	+\$0
991	champagne ash <input type="checkbox"/>	+\$0
998	ebony ash <input type="checkbox"/>	+\$0
99A	recograin frosty ash <input type="checkbox"/>	+\$0
99R	recograin rosewood <input type="checkbox"/>	+\$0
99T	recograin teak <input type="checkbox"/>	+\$0
9A1	white ash, quarter cut, low sheen <input type="checkbox"/>	+\$0
9K1	rift oak, rift cut, low sheen <input type="checkbox"/>	+\$0
9K6	burnt oak, rift cut, low sheen <input type="checkbox"/>	+\$0
G2U	light brown walnut, low sheen <input type="checkbox"/>	+\$0
G40	dark brown walnut, low sheen <input type="checkbox"/>	+\$0

Full Round Table *continued*

For 30" deep x 20" wide x 17" high (-3020)

662	toasted walnut, matte sheen A	+\$0
663	charred walnut, matte sheen A	+\$0
664	bronzed walnut, matte sheen A	+\$0
665	smoked walnut, matte sheen A	+\$0
666	coffee walnut, matte sheen A	+\$0
667	smoked paldao, quarter cut, matte sheen A	+\$311
669	warm paldao, quarter cut, matte sheen A	+\$311
66A	recograin frosty ash A	+\$0
677	chocolate ash, matte sheen A	+\$0
678	natural oak A	+\$0
68R	recograin rosewood A	+\$0
69A	recograin frosty ash A	+\$0
69R	recograin rosewood A	+\$0
69T	recograin teak A	+\$0
6A1	white ash A	+\$0
6K1	rift oak A	+\$0
6K6	burnt oak A	+\$0
ET	clear on ash A	+\$0
EU	oak on ash A	+\$0
EV	walnut on ash A	+\$0
GOU	natural walnut, flat cut, matte sheen A	+\$0

For 30" deep x 20" wide x 17" high (-3020)

68W	recograin walnut, flat cut, matte sheen A	-\$104
69K	recograin oak, quarter cut, matte sheen A	-\$104
69W	recograin walnut, quarter cut, matte sheen A	-\$104

For 30" deep x 20" wide x 17" high (-3020)

98W	recograin walnut, flat cut, low sheen A	-\$104
99K	recograin oak, quarter cut, low sheen A	-\$104
99W	recograin walnut, quarter cut, low sheen A	-\$104

For 30" deep x 20" wide x 17" high (-3020)

931	champagne anigre (natural) A	+\$829
932	sundance anigre A	+\$829
933	caramel anigre A	+\$829
934	henna anigre A	+\$829
941	natural beech A	+\$0
942	sundance cherry (natural) A	+\$0
943	caramel cherry A	+\$0
946	cocoa cherry A	+\$0
951	natural anigre A	+\$829
956	cocoa sapele A	+\$0
962	toasted walnut, low sheen A	+\$0
963	charred walnut, low sheen A	+\$0
964	bronzed walnut, low sheen A	+\$0
965	smoked walnut, low sheen A	+\$0
966	coffee walnut, low sheen A	+\$0
967	smoked paldao, low sheen A	+\$311
969	warm paldao, low sheen A	+\$311
972	sundance walnut A	+\$0
977	chocolate ash, low sheen A	+\$0
978	natural oak A	+\$0
981	champagne hickory (natural) A	+\$0
98R	recograin rosewood A	+\$0
991	champagne ash A	+\$0
998	ebony ash A	+\$0
99A	recograin frosty ash A	+\$0
99R	recograin rosewood A	+\$0
99T	recograin teak A	+\$0
9A1	white ash, quarter cut, low sheen A	+\$0
9K1	rift oak, rift cut, low sheen A	+\$0
9K6	burnt oak, rift cut, low sheen A	+\$0
G2U	light brown walnut, low sheen A	+\$0
G40	dark brown walnut, low sheen A	+\$0

Full Round Table *continued*

For 40" deep x 20" wide x 17" high (-4020)

662	toasted walnut, matte sheen <input type="checkbox"/>	+\$0
663	charred walnut, matte sheen <input type="checkbox"/>	+\$0
664	bronzed walnut, matte sheen <input type="checkbox"/>	+\$0
665	smoked walnut, matte sheen <input type="checkbox"/>	+\$0
666	coffee walnut, matte sheen <input type="checkbox"/>	+\$0
667	smoked paldao, quarter cut, matte sheen <input type="checkbox"/>	+\$333
669	warm paldao, quarter cut, matte sheen <input type="checkbox"/>	+\$333
66A	recograin frosty ash <input type="checkbox"/>	+\$0
677	chocolate ash, matte sheen <input type="checkbox"/>	+\$0
678	natural oak <input type="checkbox"/>	+\$0
68R	recograin rosewood <input type="checkbox"/>	+\$0
69A	recograin frosty ash <input type="checkbox"/>	+\$0
69R	recograin rosewood <input type="checkbox"/>	+\$0
69T	recograin teak <input type="checkbox"/>	+\$0
6A1	white ash <input type="checkbox"/>	+\$0
6K1	rift oak <input type="checkbox"/>	+\$0
6K6	burnt oak <input type="checkbox"/>	+\$0
ET	clear on ash <input type="checkbox"/>	+\$0
EU	oak on ash <input type="checkbox"/>	+\$0
EV	walnut on ash <input type="checkbox"/>	+\$0
GOU	natural walnut, flat cut, matte sheen <input type="checkbox"/>	+\$0

For 40" deep x 20" wide x 17" high (-4020)

68W	recograin walnut, flat cut, matte sheen <input type="checkbox"/>	-\$111
69K	recograin oak, quarter cut, matte sheen <input type="checkbox"/>	-\$111
69W	recograin walnut, quarter cut, matte sheen <input type="checkbox"/>	-\$111

For 40" deep x 20" wide x 17" high (-4020)

98W	recograin walnut, flat cut, low sheen <input type="checkbox"/>	-\$111
99K	recograin oak, quarter cut, low sheen <input type="checkbox"/>	-\$111
99W	recograin walnut, quarter cut, low sheen <input type="checkbox"/>	-\$111

For 40" deep x 20" wide x 17" high (-4020)

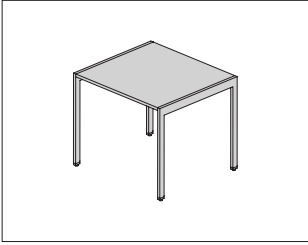
931	champagne anigre (natural) <input type="checkbox"/>	+\$886
932	sundance anigre <input type="checkbox"/>	+\$886
933	caramel anigre <input type="checkbox"/>	+\$886
934	henna anigre <input type="checkbox"/>	+\$886
941	natural beech <input type="checkbox"/>	+\$0
942	sundance cherry (natural) <input type="checkbox"/>	+\$0
943	caramel cherry <input type="checkbox"/>	+\$0
946	cocoa cherry <input type="checkbox"/>	+\$0
951	natural anigre <input type="checkbox"/>	+\$886
956	cocoa sapele <input type="checkbox"/>	+\$0
962	toasted walnut, low sheen <input type="checkbox"/>	+\$0
963	charred walnut, low sheen <input type="checkbox"/>	+\$0
964	bronzed walnut, low sheen <input type="checkbox"/>	+\$0
965	smoked walnut, low sheen <input type="checkbox"/>	+\$0
966	coffee walnut, low sheen <input type="checkbox"/>	+\$0
967	smoked paldao, low sheen <input type="checkbox"/>	+\$333
969	warm paldao, low sheen <input type="checkbox"/>	+\$333
972	sundance walnut <input type="checkbox"/>	+\$0
977	chocolate ash, low sheen <input type="checkbox"/>	+\$0
978	natural oak <input type="checkbox"/>	+\$0
981	champagne hickory (natural) <input type="checkbox"/>	+\$0
98R	recograin rosewood <input type="checkbox"/>	+\$0
991	champagne ash <input type="checkbox"/>	+\$0
998	ebony ash <input type="checkbox"/>	+\$0
99A	recograin frosty ash <input type="checkbox"/>	+\$0
99R	recograin rosewood <input type="checkbox"/>	+\$0
99T	recograin teak <input type="checkbox"/>	+\$0
9A1	white ash, quarter cut, low sheen <input type="checkbox"/>	+\$0
9K1	rift oak, rift cut, low sheen <input type="checkbox"/>	+\$0
9K6	burnt oak, rift cut, low sheen <input type="checkbox"/>	+\$0
G2U	light brown walnut, low sheen <input type="checkbox"/>	+\$0
G40	dark brown walnut, low sheen <input type="checkbox"/>	+\$0

Step 4. Base Finish

CHR	chrome <input type="checkbox"/>	+\$0
SAC	satin chrome <input type="checkbox"/>	+\$0

H-Frame Side Table

AWH2G
AWH2S
AWH2W

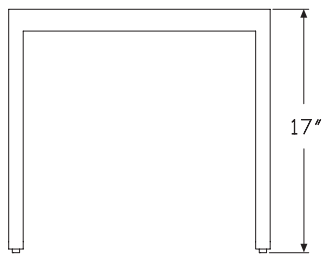
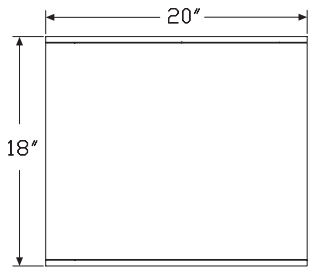


Product Information

Description
This side table has a wood top and metal base. The dimensions are 18" deep, 20" wide, and 17" high.

Notes
Santos palisander veneer is celebrated for its unique grain and color variations. Similar products ordered in multiples or dissimilar products ordered separately should be expected to have variation in both grain and color characteristics; no two products will look exactly alike.

Dimensions



Specification Information

Step 1.

AWH2

Step 2. Top Material

W wood top

G glass top

S stone top

Step 3. Dimensions

-1820 18" deep x 20" wide x 17" high side table

Prices for Steps 1-3.

AWH2W -1820 \$2799

AWH2G -1820 \$2122

AWH2S -1820 \$3706

H-Frame Side Table *continued*

Step 4. Top Finish

Premium Veneer - Low Sheen

For wood top (W)

931	champagne anigre (natural) <input type="checkbox"/>	+\$802
932	sundance anigre <input type="checkbox"/>	+\$802
933	caramel anigre <input type="checkbox"/>	+\$802
934	henna anigre <input type="checkbox"/>	+\$802
940	sundance cherry on maple <input type="checkbox"/>	+\$0
941	natural beech <input type="checkbox"/>	+\$0
942	sundance cherry (natural) <input type="checkbox"/>	+\$0
943	caramel cherry <input type="checkbox"/>	+\$0
946	cocoa cherry <input type="checkbox"/>	+\$0
951	natural anigre <input type="checkbox"/>	+\$802
956	cocoa sapele <input type="checkbox"/>	+\$0
962	toasted walnut, low sheen <input type="checkbox"/>	+\$0
963	charred walnut, low sheen <input type="checkbox"/>	+\$0
964	bronzed walnut, low sheen <input type="checkbox"/>	+\$0
965	smoked walnut, low sheen <input type="checkbox"/>	+\$0
966	coffee walnut, low sheen <input type="checkbox"/>	+\$0
967	smoked paldao, low sheen <input type="checkbox"/>	+\$301
969	warm paldao, low sheen <input type="checkbox"/>	+\$301
972	sundance walnut <input type="checkbox"/>	+\$0
977	chocolate ash, low sheen <input type="checkbox"/>	+\$0
978	natural oak <input type="checkbox"/>	+\$0
981	champagne hickory (natural) <input type="checkbox"/>	+\$0
98R	recograin rosewood <input type="checkbox"/>	+\$0
991	champagne ash <input type="checkbox"/>	+\$0
998	ebony ash <input type="checkbox"/>	+\$0
99A	recograin frosty ash <input type="checkbox"/>	+\$0
99R	recograin rosewood <input type="checkbox"/>	+\$0
99T	recograin teak <input type="checkbox"/>	+\$0
9A1	white ash, quarter cut, low sheen <input type="checkbox"/>	+\$0
9K1	rift oak, rift cut, low sheen <input type="checkbox"/>	+\$0
9K6	burnt oak, rift cut, low sheen <input type="checkbox"/>	+\$0
G2U	light brown walnut, low sheen <input type="checkbox"/>	+\$0
G40	dark brown walnut, low sheen <input type="checkbox"/>	+\$0

Premium Veneer - Matte

For wood top (W)

662	toasted walnut, matte sheen <input type="checkbox"/>	+\$0
663	charred walnut, matte sheen <input type="checkbox"/>	+\$0
664	bronzed walnut, matte sheen <input type="checkbox"/>	+\$0
665	smoked walnut, matte sheen <input type="checkbox"/>	+\$0
666	coffee walnut, matte sheen <input type="checkbox"/>	+\$0
667	smoked paldao, quarter cut, matte sheen <input type="checkbox"/>	+\$301
669	warm paldao, quarter cut, matte sheen <input type="checkbox"/>	+\$301
66A	recograin frosty ash <input type="checkbox"/>	+\$0
677	chocolate ash, matte sheen <input type="checkbox"/>	+\$0
678	natural oak <input type="checkbox"/>	+\$0
68R	recograin rosewood <input type="checkbox"/>	+\$0
69A	recograin frosty ash <input type="checkbox"/>	+\$0
69R	recograin rosewood <input type="checkbox"/>	+\$0
69T	recograin teak <input type="checkbox"/>	+\$0
6A1	white ash <input type="checkbox"/>	+\$0
6K1	rift oak <input type="checkbox"/>	+\$0
6K6	burnt oak <input type="checkbox"/>	+\$0
ET	clear on ash <input type="checkbox"/>	+\$0
EU	oak on ash <input type="checkbox"/>	+\$0
EV	walnut on ash <input type="checkbox"/>	+\$0
GOU	natural walnut, flat cut, matte sheen <input type="checkbox"/>	+\$0

RecoGrain Veneer

For wood top (W)

68W	recograin walnut, flat cut, matte sheen <input type="checkbox"/>	-\$101
69K	recograin oak, quarter cut, matte sheen <input type="checkbox"/>	-\$101
69W	recograin walnut, quarter cut, matte sheen <input type="checkbox"/>	-\$101

Recon Veneer -

For wood top (W)

98W	recograin walnut, flat cut, low sheen <input type="checkbox"/>	-\$101
99K	recograin oak, quarter cut, low sheen <input type="checkbox"/>	-\$101
99W	recograin walnut, quarter cut, low sheen <input type="checkbox"/>	-\$101

Glass

For glass top (G)

CGL	clear glass <input type="checkbox"/>	+\$0
GE1	etched glass <input type="checkbox"/>	+\$133

H-Frame Side Table *continued*

For stone top (S)

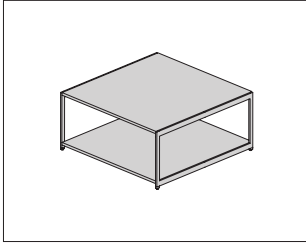
200	perfato marble <input type="checkbox"/>	+\$0
250	verde antique marble <input type="checkbox"/>	+\$0
400	black granite <input type="checkbox"/>	+\$0
5U	georgia grey marble <input type="checkbox"/>	+\$0
800	autumn brown granite <input type="checkbox"/>	+\$0
960	white carrara marble <input type="checkbox"/>	+\$0

Step 5. Metal Finish

CHR	chrome <input type="checkbox"/>	+\$0
SAC	satin chrome <input type="checkbox"/>	+\$0

H-Frame Coffee Table

AWH2G
AWH2S
AWH2W



Product Information

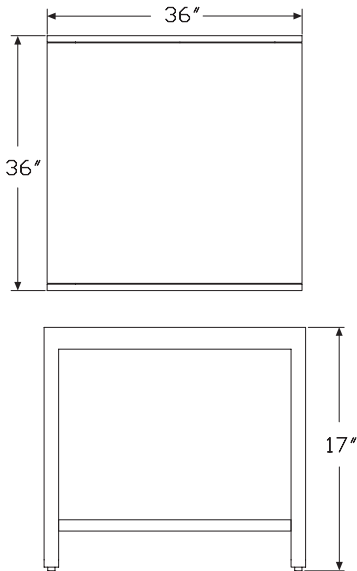
Description

This coffee table has a wood top and metal base. The dimensions are 36" deep, 36" wide, and 17" high.

Notes

Santos palisander veneer is celebrated for its unique grain and color variations. Similar products ordered in multiples or dissimilar products ordered separately should be expected to have variation in both grain and color characteristics; no two products will look exactly alike.

Dimensions



Specification Information

Step 1.

AWH2

Step 2. Top Material

W wood top

G glass top

S stone top

Step 3. Dimensions

-3636 36" deep x 36" wide x 17" high coffee table

Prices for Steps 1-3.

AWH2W -3636 \$5063

AWH2G -3636 \$4524

AWH2S -3636 \$9667

H-Frame Coffee Table *continued*

Step 4. Top Finish

For wood top (W)

931	champagne anigre (natural) A	+\$1451
932	sundance anigre A	+\$1451
933	caramel anigre A	+\$1451
934	henna anigre A	+\$1451
941	natural beech A	+\$0
942	sundance cherry (natural) A	+\$0
943	caramel cherry A	+\$0
946	cocoa cherry A	+\$0
951	natural anigre A	+\$1451
956	cocoa sapele A	+\$0
962	toasted walnut, low sheen A	+\$0
963	charred walnut, low sheen A	+\$0
964	bronzed walnut, low sheen A	+\$0
965	smoked walnut, low sheen A	+\$0
966	coffee walnut, low sheen A	+\$0
967	smoked paldao, low sheen A	+\$544
969	warm paldao, low sheen A	+\$544
972	sundance walnut A	+\$0
977	chocolate ash, low sheen A	+\$0
978	natural oak A	+\$0
981	champagne hickory (natural) A	+\$0
98R	recograin rosewood A	+\$0
991	champagne ash A	+\$0
998	ebony ash A	+\$0
99A	recograin frosty ash A	+\$0
99R	recograin rosewood A	+\$0
99T	recograin teak A	+\$0
9A1	white ash, quarter cut, low sheen A	+\$0
9K1	rift oak, rift cut, low sheen A	+\$0
9K6	burnt oak, rift cut, low sheen A	+\$0
G2U	light brown walnut, low sheen A	+\$0
G40	dark brown walnut, low sheen A	+\$0

For wood top (W)

662	toasted walnut, matte sheen A	+\$0
663	charred walnut, matte sheen A	+\$0
664	bronzed walnut, matte sheen A	+\$0
665	smoked walnut, matte sheen A	+\$0
666	coffee walnut, matte sheen A	+\$0
667	smoked paldao, quarter cut, matte sheen A	+\$544
669	warm paldao, quarter cut, matte sheen A	+\$544
66A	recograin frosty ash A	+\$0
677	chocolate ash, matte sheen A	+\$0
678	natural oak A	+\$0
68R	recograin rosewood A	+\$0
69A	recograin frosty ash A	+\$0
69R	recograin rosewood A	+\$0
69T	recograin teak A	+\$0
6A1	white ash A	+\$0
6K1	rift oak A	+\$0
6K6	burnt oak A	+\$0
ET	clear on ash A	+\$0
EU	oak on ash A	+\$0
EV	walnut on ash A	+\$0
GOU	natural walnut, flat cut, matte sheen A	+\$0

For wood top (W)

68W	recograin walnut, flat cut, matte sheen A	-\$182
69K	recograin oak, quarter cut, matte sheen A	-\$182
69W	recograin walnut, quarter cut, matte sheen A	-\$182

For wood top (W)

98W	recograin walnut, flat cut, low sheen A	-\$182
99K	recograin oak, quarter cut, low sheen A	-\$182
99W	recograin walnut, quarter cut, low sheen A	-\$182

Glass

For glass top (G)

CGL	clear glass A	+\$0
GE1	etched glass A	+\$133

Stone

For stone top (S)

200	perfato marble A	+\$0
250	verde antique marble A	+\$0
400	black granite A	+\$0
5U	georgia grey marble A	+\$0
800	autumn brown granite A	+\$0
960	white carrara marble A	+\$0

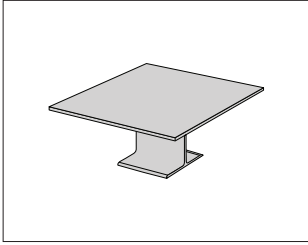
H-Frame Coffee Table *continued*

Step 5. Metal Finish

CHR	chrome	A	+\$0
SAC	satin chrome	A	+\$0

I-Beam Coffee Table

AWB2G
AWB2M

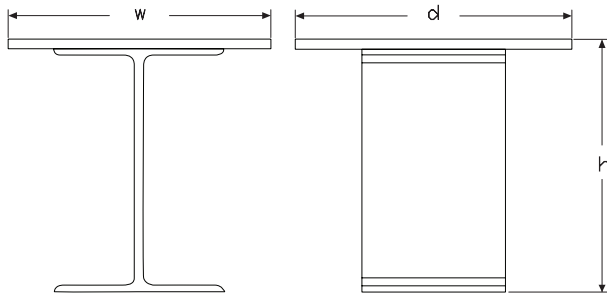


Product Information

Description

This coffee table has an aluminum base and glass top.

Dimensions



HermanMiller Ancillary—Occasional Tables

Specification Information

Step 1.

AWB A

Step 2. Table Type

2 coffee table A

Step 3. Top Material

M marble top A

G glass top A

Step 4. Size

For coffee table (2) with glass top (G)

-363615 36" deep x 36" wide x 15 1/4" high A

-404015 40" deep x 40" wide x 15 1/4" high A

For coffee table (2) with marble top (M)

-363616 36" deep x 36" wide x 16" high A

-404016 40" deep x 40" wide x 16" high A

Prices for Steps 1-4.

AWB2M -363616 \$7255

-404016 \$7932

AWB2G -363615 \$3596

-404015 \$3866

Step 5. Top Finish

For marble top (M)

200 perfato marble A +\$0

250 verde antique marble A +\$0

400 black granite A +\$0

5U georgia grey marble A +\$0

800 autumn brown granite A +\$0

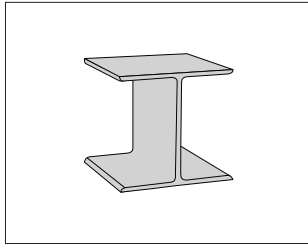
960 white carrara marble A +\$0

For glass top (G)

CGL 3/4" thick clear glass A +\$0

I-Beam Side Table

AWB1Z

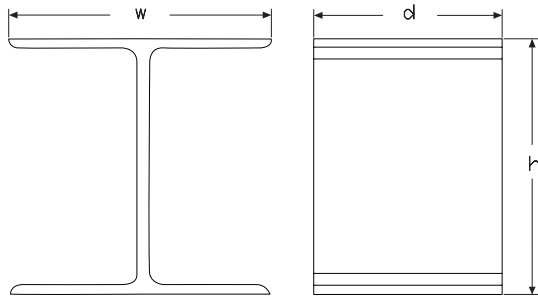


Product Information

Description

This side table has an aluminum base and no top.

Dimensions



Specification Information

Step 1.

AWB **A**

Step 2. Table Type

1 side table **A**

Step 3. Top Material

Z no top **A**

Step 4. Size

-161615 16" deep x 16" wide x 14½" high **A**

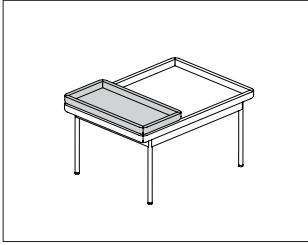
-181815 18" deep x 18" wide x 14½" high **A**

Prices for Steps 1-4.

AWB1Z -161615	\$2341
-181815	\$2511

Tuxedo Component Lounge Tables Tray

AXT3-

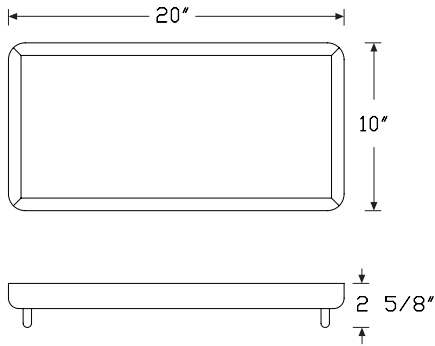


Product Information

Description

This tray comes in solid ash or walnut.

Dimensions



HermanMiller Ancillary—Occasional Tables

Specification Information

Step 1.

AXT3

Step 2. Depth

-10 10" deep

Step 3. Width

20 20" wide

Prices for Steps 1-3.

AXT3-10 20 \$1069

Step 4. Wood Finish

Matte Finishes

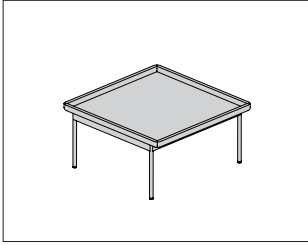
662	toasted walnut, matte sheen <input type="checkbox"/>	+\$0
663	charred walnut, matte sheen <input type="checkbox"/>	+\$0
664	bronzed walnut, matte sheen <input type="checkbox"/>	+\$0
665	smoked walnut, matte sheen <input type="checkbox"/>	+\$0
666	coffee walnut, matte sheen <input type="checkbox"/>	+\$0
667	smoked paldao, quarter cut, matte sheen <input type="checkbox"/>	+\$0
669	warm paldao, quarter cut, matte sheen <input type="checkbox"/>	+\$0
66A	recograin frosty ash <input type="checkbox"/>	+\$0
677	chocolate ash, matte sheen <input type="checkbox"/>	+\$0
68R	recograin rosewood <input type="checkbox"/>	+\$0
69A	recograin frosty ash <input type="checkbox"/>	+\$0
69R	recograin rosewood <input type="checkbox"/>	+\$0
69T	recograin teak <input type="checkbox"/>	+\$0
6K1	rift oak <input type="checkbox"/>	+\$0
ET	clear on ash <input type="checkbox"/>	+\$0
EU	oak on ash <input type="checkbox"/>	+\$0
EV	walnut on ash <input type="checkbox"/>	+\$0
GOU	natural walnut, flat cut, matte sheen <input type="checkbox"/>	+\$0
6A1	white ash <input type="checkbox"/>	+\$0
6K6	burnt oak <input type="checkbox"/>	+\$0
932	sundance anigre <input type="checkbox"/>	+\$0
933	caramel anigre <input type="checkbox"/>	+\$0
934	henna anigre <input type="checkbox"/>	+\$0
940	sundance cherry on maple <input type="checkbox"/>	+\$0
962	toasted walnut, low sheen <input type="checkbox"/>	+\$0
963	charred walnut, low sheen <input type="checkbox"/>	+\$0
964	bronzed walnut, low sheen <input type="checkbox"/>	+\$0
965	smoked walnut, low sheen <input type="checkbox"/>	+\$0
966	coffee walnut, low sheen <input type="checkbox"/>	+\$0
967	smoked paldao, low sheen <input type="checkbox"/>	+\$0
969	warm paldao, low sheen <input type="checkbox"/>	+\$0

Tuxedo Component Lounge Tables Tray *continued*

972	sundance walnut <input type="checkbox"/> A	+\$0
977	chocolate ash, low sheen <input type="checkbox"/> A	+\$0
98R	recograin rosewood <input type="checkbox"/> A	+\$0
991	champagne ash <input type="checkbox"/> A	+\$0
99A	recograin frosty ash <input type="checkbox"/> A	+\$0
99R	recograin rosewood <input type="checkbox"/> A	+\$0
99T	recograin teak <input type="checkbox"/> A	+\$0
9A1	white ash, quarter cut, low sheen <input type="checkbox"/> A	+\$0
9K1	rift oak, rift cut, low sheen <input type="checkbox"/> A	+\$0
9K6	burnt oak, rift cut, low sheen <input type="checkbox"/> A	+\$0
G2U	light brown walnut, low sheen <input type="checkbox"/> A	+\$0
G40	dark brown walnut, low sheen <input type="checkbox"/> A	+\$0
943	caramel cherry <input type="checkbox"/> A	+\$0
946	cocoa cherry <input type="checkbox"/> A	+\$0
956	cocoa sapele <input type="checkbox"/> A	+\$0
998	ebony ash <input type="checkbox"/> A	+\$0
68W	recograin walnut, flat cut, matte sheen <input type="checkbox"/> A	+\$0
69W	recograin walnut, quarter cut, matte sheen <input type="checkbox"/> A	+\$0
98W	recograin walnut, flat cut, low sheen <input type="checkbox"/> A	+\$0
99W	recograin walnut, quarter cut, low sheen <input type="checkbox"/> A	+\$0

Tuxedo Component Lounge Tables Square

AXW2-

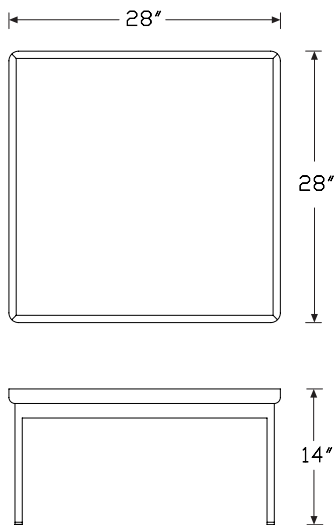


Product Information

Description

This square table has a steel plated metal base with a solid ash or walnut top 1 1/2" thick.

Dimensions



HermanMiller Ancillary—Occasional Tables

Specification Information

Step 1.

AXW2 A

Step 2. Depth

-28 28" deep A

Step 3. Width

28 28" wide A

Prices for Steps 1-3.

AXW2-28 28 \$2238

Step 4. Wood Finish

Matte Finishes

662	toasted walnut, matte sheen <input type="checkbox"/> A	+\$0
663	charred walnut, matte sheen <input type="checkbox"/> A	+\$0
664	bronzed walnut, matte sheen <input type="checkbox"/> A	+\$0
665	smoked walnut, matte sheen <input type="checkbox"/> A	+\$0
666	coffee walnut, matte sheen <input type="checkbox"/> A	+\$0
667	smoked paldao, quarter cut, matte sheen <input type="checkbox"/> A	+\$0
669	warm paldao, quarter cut, matte sheen <input type="checkbox"/> A	+\$0
66A	frosty ash recograin, quarter cut, matte sheen <input type="checkbox"/> A	+\$0
677	chocolate ash, matte sheen <input type="checkbox"/> A	+\$0
68R	recograin rosewood <input type="checkbox"/> A	+\$0
69A	recograin frosty ash <input type="checkbox"/> A	+\$0
69R	recograin rosewood <input type="checkbox"/> A	+\$0
69T	recograin teak <input type="checkbox"/> A	+\$0
6K1	rift oak <input type="checkbox"/> A	+\$0
ET	clear on ash <input type="checkbox"/> A	+\$0
EU	oak on ash <input type="checkbox"/> A	+\$0
EV	walnut on ash <input type="checkbox"/> A	+\$0
GOU	natural walnut, flat cut, matte sheen <input type="checkbox"/> A	+\$0
6A1	white ash <input type="checkbox"/> A	+\$0
6K6	burnt oak <input type="checkbox"/> A	+\$0

Tuxedo Component Lounge

Tables Square *continued*

Premium Veneer - Low Sheen

932	sundance anigre <input type="checkbox"/>	+\$0
933	caramel anigre <input type="checkbox"/>	+\$0
934	henna anigre <input type="checkbox"/>	+\$0
940	sundance cherry on maple <input type="checkbox"/>	+\$0
962	toasted walnut, low sheen <input type="checkbox"/>	+\$0
963	charred walnut, low sheen <input type="checkbox"/>	+\$0
964	bronzed walnut, low sheen <input type="checkbox"/>	+\$0
965	smoked walnut, low sheen <input type="checkbox"/>	+\$0
966	coffee walnut, low sheen <input type="checkbox"/>	+\$0
967	smoked paldao, low sheen <input type="checkbox"/>	+\$0
969	warm paldao, low sheen <input type="checkbox"/>	+\$0
972	sundance walnut <input type="checkbox"/>	+\$0
977	chocolate ash, low sheen <input type="checkbox"/>	+\$0
98R	recograin rosewood <input type="checkbox"/>	+\$0
991	champagne ash <input type="checkbox"/>	+\$0
99A	recograin frosty ash <input type="checkbox"/>	+\$0
99R	recograin rosewood <input type="checkbox"/>	+\$0
99T	recograin teak <input type="checkbox"/>	+\$0
9A1	white ash, quarter cut, low sheen <input type="checkbox"/>	+\$0
9K1	rift oak, rift cut, low sheen <input type="checkbox"/>	+\$0
9K6	burnt oak, rift cut, low sheen <input type="checkbox"/>	+\$0
G2U	light brown walnut, low sheen <input type="checkbox"/>	+\$0
G40	dark brown walnut, low sheen <input type="checkbox"/>	+\$0
943	caramel cherry <input type="checkbox"/>	+\$0
946	cocoa cherry <input type="checkbox"/>	+\$0
956	cocoa sapele <input type="checkbox"/>	+\$0
998	ebony ash <input type="checkbox"/>	+\$0

RecoGrain Veneer

68W	recograin walnut, flat cut, matte sheen <input type="checkbox"/>	+\$0
69W	recograin walnut, quarter cut, matte sheen <input type="checkbox"/>	+\$0

Recon Veneer -

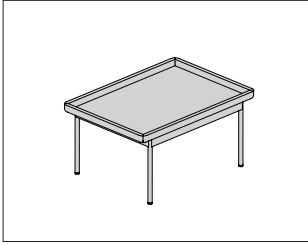
98W	recograin walnut, flat cut, low sheen <input type="checkbox"/>	+\$0
99W	recograin walnut, quarter cut, low sheen <input type="checkbox"/>	+\$0

Step 5. Base Finish

926	black <input type="checkbox"/>	+\$0
AS	arctic silver <input type="checkbox"/>	+\$0
WHT	white <input type="checkbox"/>	+\$0
CHR	chrome <input type="checkbox"/>	+\$307
SAC	satin chrome <input type="checkbox"/>	+\$307

Tuxedo Component Lounge Tables Rectangular

AXW3-

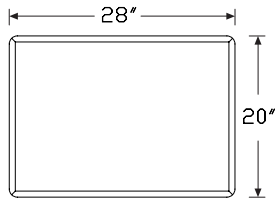


Product Information

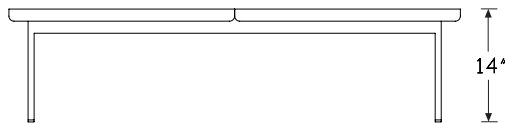
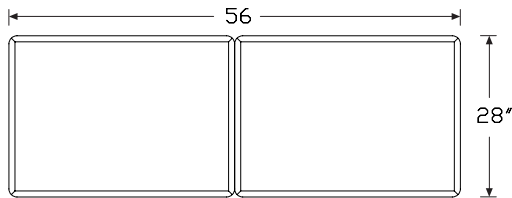
Description

This rectangular table has a steel plated metal base with a 1-piece or 2-piece solid ash or walnut top 1½" thick.

Dimensions



Tuxedo One Piece Table



Tuxedo Two Piece Tables

Specification Information

Step 1.

AXW3 A

Step 2. Depth

-20 20" deep A

-28 28" deep A

Step 3. Width

For 20" deep (-20)

28 28" wide, one piece A

For 28" deep (-28)

56 56" wide, two pieces A

Prices for Steps 1-3.

AXW3-20 28 \$1981

AXW3-28 56 \$3730

Step 4. Wood Finish

Matte Finishes

662	toasted walnut, matte sheen <input type="checkbox"/> A	+\$0
663	charred walnut, matte sheen <input type="checkbox"/> A	+\$0
664	bronzed walnut, matte sheen <input type="checkbox"/> A	+\$0
665	smoked walnut, matte sheen <input type="checkbox"/> A	+\$0
666	coffee walnut, matte sheen <input type="checkbox"/> A	+\$0
667	smoked paldao, quarter cut, matte sheen <input type="checkbox"/> A	+\$0
669	warm paldao, quarter cut, matte sheen <input type="checkbox"/> A	+\$0
66A	recograin frosty ash <input type="checkbox"/> A	+\$0
677	chocolate ash, matte sheen <input type="checkbox"/> A	+\$0
68R	recograin rosewood <input type="checkbox"/> A	+\$0
69A	recograin frosty ash <input type="checkbox"/> A	+\$0
69R	recograin rosewood <input type="checkbox"/> A	+\$0
69T	recograin teak <input type="checkbox"/> A	+\$0
6K1	rift oak <input type="checkbox"/> A	+\$0
ET	clear on ash <input type="checkbox"/> A	+\$0
EU	oak on ash <input type="checkbox"/> A	+\$0
EV	walnut on ash <input type="checkbox"/> A	+\$0
GOU	natural walnut, flat cut, matte sheen <input type="checkbox"/> A	+\$0
6A1	white ash <input type="checkbox"/> A	+\$0
6K6	burnt oak <input type="checkbox"/> A	+\$0
932	sundance anigre <input type="checkbox"/> A	+\$0
933	caramel anigre <input type="checkbox"/> A	+\$0
934	henna anigre <input type="checkbox"/> A	+\$0

Tuxedo Component Lounge Tables Rectangular *continued*

940	sundance cherry on maple	A	+\$0
962	toasted walnut, low sheen	A	+\$0
963	charred walnut, low sheen	A	+\$0
964	bronzed walnut, low sheen	A	+\$0
965	smoked walnut, low sheen	A	+\$0
966	coffee walnut, low sheen	A	+\$0
967	smoked paldao, low sheen	A	+\$0
969	warm paldao, low sheen	A	+\$0
972	sundance walnut	A	+\$0
977	chocolate ash, low sheen	A	+\$0
98R	recograin rosewood	A	+\$0
991	champagne ash	A	+\$0
99A	recograin frosty ash	A	+\$0
99R	recograin rosewood	A	+\$0
99T	recograin teak	A	+\$0
9A1	white ash, quarter cut, low sheen	A	+\$0
9K1	rift oak, rift cut, low sheen	A	+\$0
9K6	burnt oak, rift cut, low sheen	A	+\$0
G2U	light brown walnut, low sheen	A	+\$0
G40	dark brown walnut, low sheen	A	+\$0
943	caramel cherry	A	+\$0
946	cocoa cherry	A	+\$0
956	cocoa sapele	A	+\$0
998	ebony ash	A	+\$0

RecoGrain Veneer

68W	recograin walnut, flat cut, matte sheen	A	+\$0
69W	recograin walnut, quarter cut, matte sheen	A	+\$0

Recon Veneer -

98W	recograin walnut, flat cut, low sheen	A	+\$0
99W	recograin walnut, quarter cut, low sheen	A	+\$0

Step 5. Base Finish

For 20" deep (-20) with 28" wide, one piece (28)

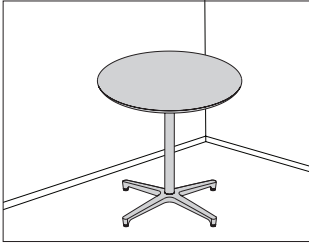
926	black	A	+\$0
AS	arctic silver	A	+\$0
WHT	white	A	+\$0
CHR	chrome	A	+\$307
SAC	satin chrome	A	+\$307

For 28" deep (-28) with 56" wide, two pieces (56)

926	black	A	+\$0
AS	arctic silver	A	+\$0
WHT	white	A	+\$0
CHR	chrome	A	+\$671
SAC	satin chrome	A	+\$671

Saiba Table Wood Top

ASB1A
ASB1W



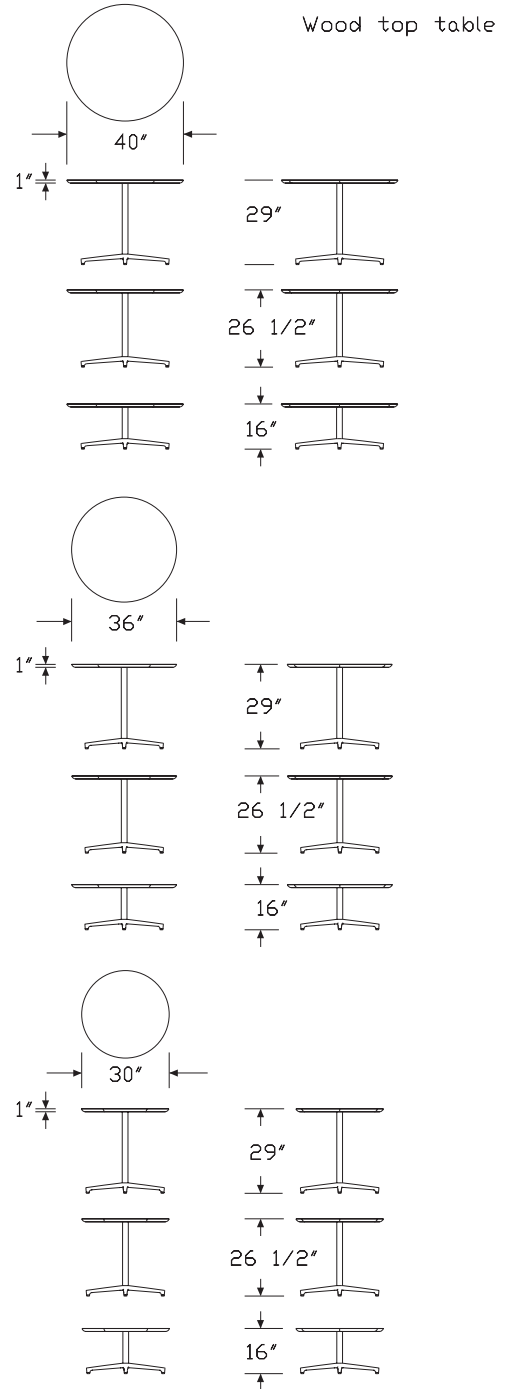
Product Information

Description

This table has an aluminum base with a veneer top and is available in 3 heights and 3 top diameters.

HermanMiller Ancillary—Occasional Tables

Dimensions



Saiba Table Wood Top *continued*

Specification Information

Step 1.

ASB1

Step 2. Top

A- ash

W- walnut

Step 3. Height

16 16" coffee table height

26 26.5" work table height

29 29" standard table height

Step 4. Diameter

30 30" diameter wood top

36 36" diameter wood top

40 40" diameter wood top

Prices for Steps 1-4.

	30	36	40
ASB1A- 16	\$2216	2424	2631
26	\$2287	2492	2699
29	\$2354	2561	2768
ASB1W- 16	\$2354	2561	2768
26	\$2424	2631	2838
29	\$2492	2699	2907

Step 5. Wood Finish

Low Sheen Finishes (on Ash)

For ash (A-)

932	sundance anigre <input type="checkbox"/>	+\$0
933	caramel anigre <input type="checkbox"/>	+\$0
934	henna anigre <input type="checkbox"/>	+\$0
940	sundance cherry on maple <input type="checkbox"/>	+\$0
962	toasted walnut, low sheen <input type="checkbox"/>	+\$0
963	charred walnut, low sheen <input type="checkbox"/>	+\$0
964	bronzed walnut, low sheen <input type="checkbox"/>	+\$0
965	smoked walnut, low sheen <input type="checkbox"/>	+\$0
966	coffee walnut, low sheen <input type="checkbox"/>	+\$0
967	smoked paldao, low sheen <input type="checkbox"/>	+\$0
969	warm paldao, low sheen <input type="checkbox"/>	+\$0
977	chocolate ash, low sheen <input type="checkbox"/>	+\$0
98R	recograin rosewood <input type="checkbox"/>	+\$0
99A	recograin frosty ash <input type="checkbox"/>	+\$0
99R	recograin rosewood <input type="checkbox"/>	+\$0
99T	recograin teak <input type="checkbox"/>	+\$0
9A1	white ash, quarter cut, low sheen <input type="checkbox"/>	+\$0
9K1	rift oak, rift cut, low sheen <input type="checkbox"/>	+\$0
9K6	burnt oak, rift cut, low sheen <input type="checkbox"/>	+\$0
G2U	light brown walnut, low sheen <input type="checkbox"/>	+\$0
G40	dark brown walnut, low sheen <input type="checkbox"/>	+\$0
943	caramel cherry <input type="checkbox"/>	+\$0
946	cocoa cherry <input type="checkbox"/>	+\$0
956	cocoa sapele <input type="checkbox"/>	+\$0
991	champagne ash <input type="checkbox"/>	+\$0
998	ebony ash <input type="checkbox"/>	+\$0

Low Sheen Finishes (on Ash)

For ash (A-)

98W	recograin walnut, flat cut, low sheen <input type="checkbox"/>	+\$0
99W	recograin walnut, quarter cut, low sheen <input type="checkbox"/>	+\$0

Saiba Table Wood Top *continued*

Matte Sheen Finishes (on Ash)

For ash (A-)

66A	frosty ash recograin, quarter cut, matte sheen <input type="checkbox"/>	+\$0
677	chocolate ash, matte sheen <input type="checkbox"/>	+\$0
68R	recograin rosewood <input type="checkbox"/>	+\$0
69A	recograin frosty ash <input type="checkbox"/>	+\$0
69R	recograin rosewood <input type="checkbox"/>	+\$0
69T	recograin teak <input type="checkbox"/>	+\$0
6K1	rift oak <input type="checkbox"/>	+\$0
ET	clear on ash <input type="checkbox"/>	+\$0
EU	oak on ash <input type="checkbox"/>	+\$0
EV	walnut on ash <input type="checkbox"/>	+\$0
GOU	natural walnut, flat cut, matte sheen <input type="checkbox"/>	+\$0
6A1	white ash <input type="checkbox"/>	+\$0
6K6	burnt oak <input type="checkbox"/>	+\$0

Matte Sheen Finishes (on Ash)

For ash (A-)

68W	recograin walnut, flat cut, matte sheen <input type="checkbox"/>	+\$0
69W	recograin walnut, quarter cut, matte sheen <input type="checkbox"/>	+\$0

Premium Veneer - Matte

For walnut (W-)

662	toasted walnut, matte sheen <input type="checkbox"/>	+\$0
663	charred walnut, matte sheen <input type="checkbox"/>	+\$0
664	bronzed walnut, matte sheen <input type="checkbox"/>	+\$0
665	smoked walnut, matte sheen <input type="checkbox"/>	+\$0
666	coffee walnut, matte sheen <input type="checkbox"/>	+\$0
667	smoked paldao, quarter cut, matte sheen <input type="checkbox"/>	+\$0
669	warm paldao, quarter cut, matte sheen <input type="checkbox"/>	+\$0
68R	recograin rosewood <input type="checkbox"/>	+\$0
69R	recograin rosewood <input type="checkbox"/>	+\$0
GOU	natural walnut, flat cut, matte sheen <input type="checkbox"/>	+\$0

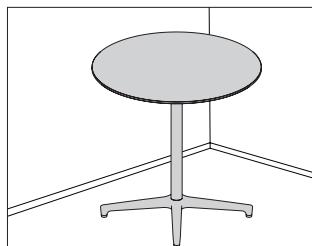
Low Sheen Finishes (on Walnut)

For walnut (W-)

962	toasted walnut, low sheen <input type="checkbox"/>	+\$0
963	charred walnut, low sheen <input type="checkbox"/>	+\$0
964	bronzed walnut, low sheen <input type="checkbox"/>	+\$0
965	smoked walnut, low sheen <input type="checkbox"/>	+\$0
966	coffee walnut, low sheen <input type="checkbox"/>	+\$0
967	smoked paldao, low sheen <input type="checkbox"/>	+\$0
969	warm paldao, low sheen <input type="checkbox"/>	+\$0
972	sundance walnut <input type="checkbox"/>	+\$0
98R	recograin rosewood <input type="checkbox"/>	+\$0
99R	recograin rosewood <input type="checkbox"/>	+\$0
G2U	light brown walnut, low sheen <input type="checkbox"/>	+\$0
G40	dark brown walnut, low sheen <input type="checkbox"/>	+\$0

Step 6. Base Finish

926	black <input type="checkbox"/>	+\$0
CHR	chrome <input type="checkbox"/>	+\$0

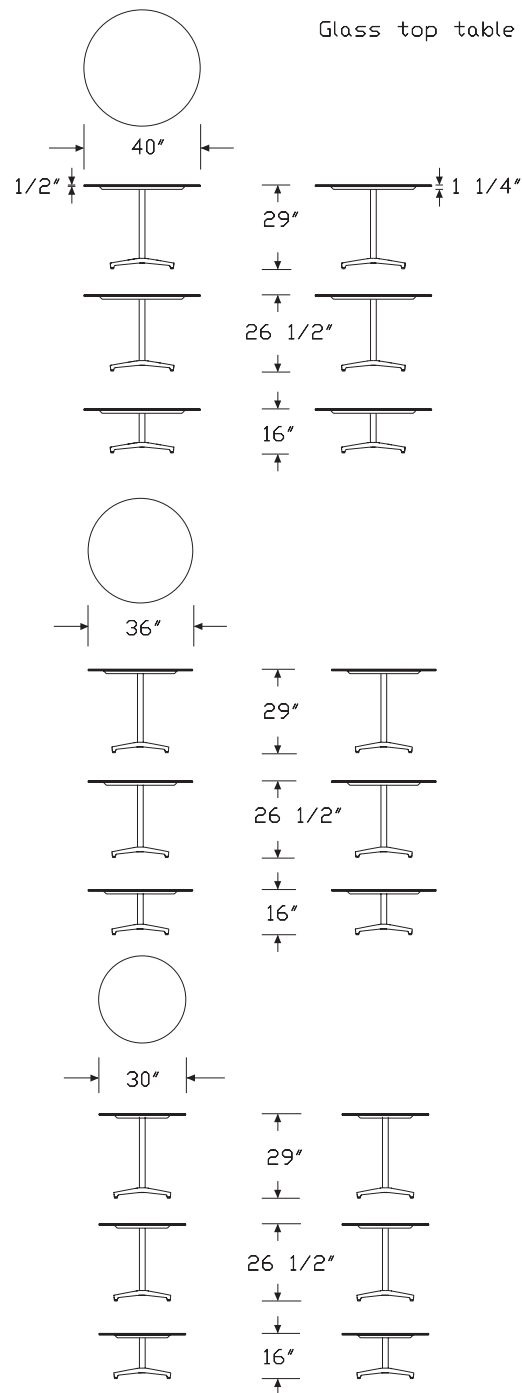


Product Information

Description

This table has an aluminum base with a $\frac{3}{8}$ " tempered, back-painted glass top. Available in 3 heights and 3 top diameters.

Dimensions



Saiba Table Glass Top *continued*

Specification Information

Step 1.

ASB1G- A

Step 2. Height

16 16" coffee table height A

26 26.5" work table height A

29 29" standard table height A

Step 3. Diameter

30 30" diameter wood top A

36 36" diameter wood top A

40 40" diameter wood top A

Prices for Steps 1-3.

	30	36	40
ASB1G- 16	\$2768	3458	4152
26	\$2838	3529	4221
29	\$2907	3599	4290

Step 4. Glass Option

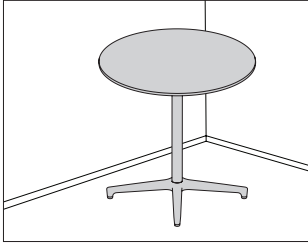
GBB back-painted black glass A +\$0

GBP back-painted white glass A +\$0

Step 5. Base Finish

926 black A +\$0

CHR chrome A +\$0

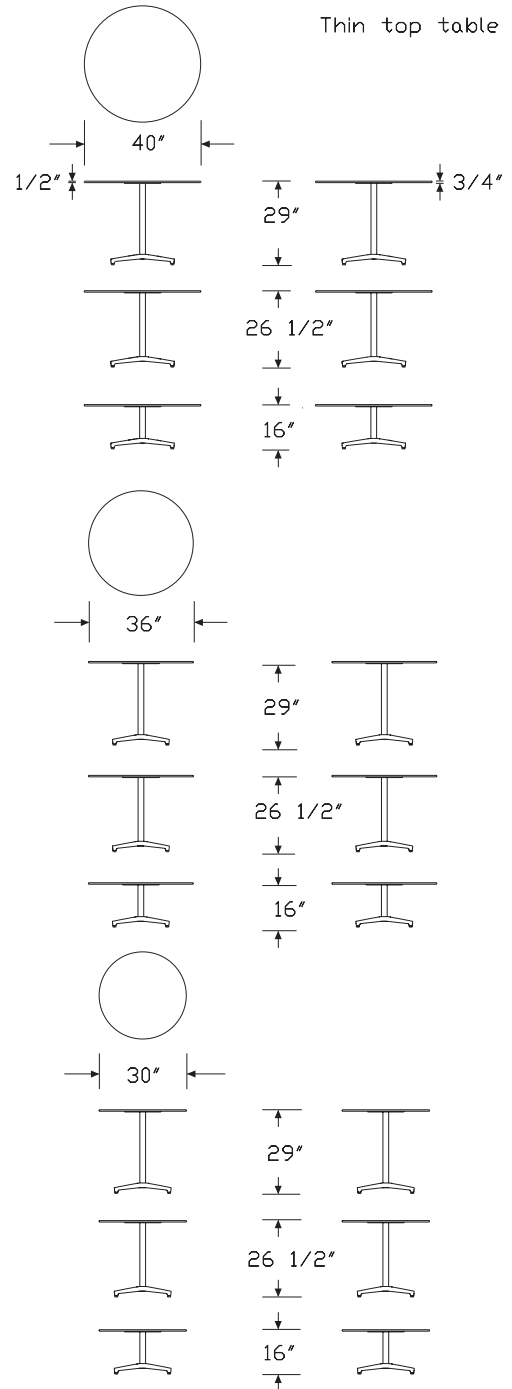


Product Information

Description

This table has an aluminum base with a thin profile high-pressure laminate top and is available in 3 heights and 3 top diameters.

Dimensions



Saiba Table Thin Profile Top

continued

HermanMiller Ancillary—Occasional Tables

Specification Information

Step 1.

ASB1T- A

Step 2. Height

16 16" coffee table height A

26 26.5" work table height A

29 29" standard table height A

Step 3. Diameter

30 30" diameter wood top A

36 36" diameter wood top A

40 40" diameter wood top A

Prices for Steps 1-3.

	30	36	40
ASB1T- 16	\$1800	2216	2768
26	\$1869	2287	2838
29	\$1938	2354	2907

Step 4. Thin Profile HPL with Black Edge Option

91 white A +\$0

BK black A +\$0

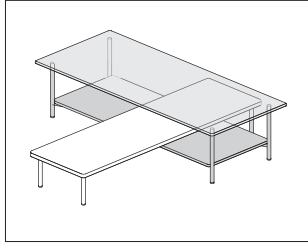
Step 5. Base Finish

926 black A +\$0

CHR chrome A +\$0

Layer Occasional Table, High Nesting

ALNHS

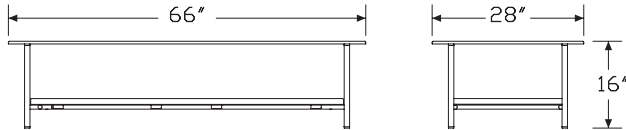


Product Information

Description

This table has a stainless steel frame and a 1/2" thick low-iron tempered glass top with radiused top edge and radiused corners. The wood shelf is 1" thick with plank veneer layup and solid wood edge. Wood shelf is finished to match color and sheen of the specified wood finish.

Dimensions



Specification Information

Step 1.

ALNH

Step 2. Shelf Material

SA- ash shelf

SN- no shelf

SS- stone shelf

SW- walnut shelf

Step 3. Width

66Z 66" wide

Step 4. Depth

28Z 28" deep

Step 5. Height

16Z 16" high

Prices for Steps 1-5.

	16Z
ALNHSA- 66Z 28Z	\$4333

	16Z
ALNHSN- 66Z 28Z	\$2978

	16Z
ALNHSS- 66Z 28Z	\$6910

	16Z
ALNHSW- 66Z 28Z	\$4333

Step 6. Wood Finish

For ash shelf (SA-)

677	chocolate ash, flat cut, matte sheen <input type="checkbox"/>	+\$0
6A1	white ash, quarter cut, matte sheen <input type="checkbox"/>	+\$0
991	champagne ash, flat cut, low sheen <input type="checkbox"/>	+\$0
998	ebony ash, flat cut, low sheen <input type="checkbox"/>	+\$0

Layer Occasional Table, High Nesting *continued*

HermanMiller Ancillary-Occasional Tables

For walnut shelf (SW-)

662	toasted walnut, flat cut, matte sheen <input type="checkbox"/> A	+\$0
663	charred walnut, flat cut, matte sheen <input type="checkbox"/> A	+\$0
664	bronzed walnut, flat cut, matte sheen <input type="checkbox"/> A	+\$0
665	smoked walnut, flat cut, matte sheen <input type="checkbox"/> A	+\$0
666	coffee walnut, flat cut, matte sheen <input type="checkbox"/> A	+\$0
972	sundance walnut, solid, low sheen <input type="checkbox"/> A	+\$0
EK	medium red walnut, flat cut, low sheen <input type="checkbox"/> A	+\$0
G2U	light brown walnut, flat cut, low sheen <input type="checkbox"/> A	+\$0
G40	dark brown walnut, flat cut, low sheen <input type="checkbox"/> A	+\$0
GOU	natural walnut, flat cut, matte sheen <input type="checkbox"/> A	+\$0

Step 7. Stone

For stone shelf (SS-)

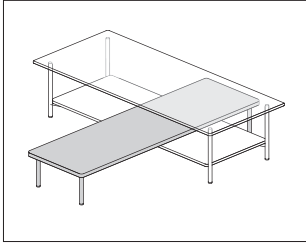
5UH	georgia grey honed marble <input type="checkbox"/> A	+\$0
DPH	georgia white honed marble <input type="checkbox"/> A	+\$0

Step 8. Base Finish

926	black <input type="checkbox"/> A	+\$0
CHR	chrome <input type="checkbox"/> A	+\$0
SAC	satin chrome <input type="checkbox"/> A	+\$0

Layer Occasional Table, Low Nesting

ALNLT

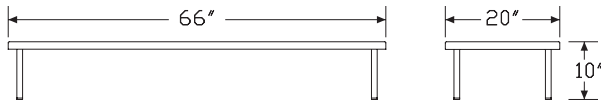


Product Information

Description

This table has a stainless steel frame and a 1 1/4" thick top with plank veneer layup and solid wood edge. Wood top is finished to match color and sheen of the specified wood finish.

Dimensions



Specification Information

Step 1.

ALNL

Step 2. Wood Top Material

TA- ash top

TW- walnut top

Step 3. Width

66Z 66" wide

Step 4. Depth

20Z 20" deep

Step 5. Height

10Z 10" high

Prices for Steps 1-5.

	10Z
ALNLTA- 66Z 20Z	\$2375

	10Z
ALNLTW- 66Z 20Z	\$2435

Step 6. Wood Finish

For ash top (TA-)

677	chocolate ash, flat cut, matte sheen <input type="checkbox"/>	+ \$0
6A1	white ash, quarter cut, matte sheen <input type="checkbox"/>	+ \$0
991	champagne ash, flat cut, low sheen <input type="checkbox"/>	+ \$0
998	ebony ash, flat cut, low sheen <input type="checkbox"/>	+ \$0

For walnut top (TW-)

662	toasted walnut, flat cut, matte sheen <input type="checkbox"/>	+ \$0
663	charred walnut, flat cut, matte sheen <input type="checkbox"/>	+ \$0
664	bronzed walnut, flat cut, matte sheen <input type="checkbox"/>	+ \$0
665	smoked walnut, flat cut, matte sheen <input type="checkbox"/>	+ \$0
666	coffee walnut, flat cut, matte sheen <input type="checkbox"/>	+ \$0
972	sundance walnut, solid, low sheen <input type="checkbox"/>	+ \$0
EK	medium red walnut, flat cut, low sheen <input type="checkbox"/>	+ \$0
G2U	light brown walnut, flat cut, low sheen <input type="checkbox"/>	+ \$0
G40	dark brown walnut, flat cut, low sheen <input type="checkbox"/>	+ \$0
GOU	natural walnut, flat cut, matte sheen <input type="checkbox"/>	+ \$0

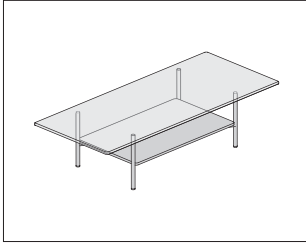
Layer Occasional Table, Low
Nesting *continued*

Step 7. Base Finish		
926	black <input type="checkbox"/> A	+\$0
CHR	chrome <input type="checkbox"/> A	+\$0
SAC	satin chrome <input type="checkbox"/> A	+\$0

HermanMiller Ancillary—Occasional Tables

Layer Occasional Table, Wood Shelf

ALYSA
ALYSW

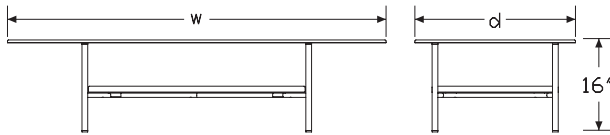


Product Information

Description

This table has a stainless steel frame and a 1/2" thick low-iron tempered glass top with radiused top edge and radiused corners. The wood shelf is 1" thick with plank veneer layup and solid wood edge. Wood shelf is finished to match color and sheen of the specified wood finish.

Dimensions



Specification Information

Step 1.

ALY **A**

Step 2. Shelf Material

SA- ash shelf **A**

SW- walnut shelf **A**

Step 3. Width

28Z 28" wide **A**

46Z 46" wide **A**

66Z 66" wide **A**

Step 4. Depth

For 28" wide (28Z)

14Z 14" deep **A**

22Z 22" deep **A**

For 46" wide (46Z)

24Z 24" deep **A**

For 66" wide (66Z)

28Z 28" deep **A**

Step 5. Height

16Z 16" high **A**

Prices for Steps 1-5.

		16Z
ALYSA-	28Z 14Z	\$2301
	22Z	\$2843
	46Z 24Z	\$3249
	66Z 28Z	\$3791

		16Z
ALYSW-	28Z 14Z	\$2301
	22Z	\$2843
	46Z 24Z	\$3249
	66Z 28Z	\$3791

Layer Occasional Table, Wood Shelf *continued*

HermanMiller Ancillary—Occasional Tables

Step 6. Wood Finish

For ash shelf (SA-)

677	chocolate ash, flat cut, matte sheen <input type="checkbox"/> A	+\$0
6A1	white ash, quarter cut, matte sheen <input type="checkbox"/> A	+\$0
991	champagne ash, flat cut, low sheen <input type="checkbox"/> A	+\$0
998	ebony ash, flat cut, low sheen <input type="checkbox"/> A	+\$0

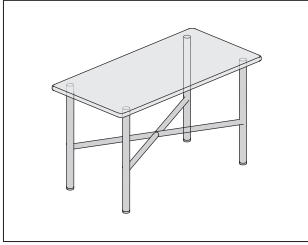
For walnut shelf (SW-)

662	toasted walnut, flat cut, matte sheen <input type="checkbox"/> A	+\$0
663	charred walnut, flat cut, matte sheen <input type="checkbox"/> A	+\$0
664	bronzed walnut, flat cut, matte sheen <input type="checkbox"/> A	+\$0
665	smoked walnut, flat cut, matte sheen <input type="checkbox"/> A	+\$0
666	coffee walnut, flat cut, matte sheen <input type="checkbox"/> A	+\$0
972	sundance walnut, solid, low sheen <input type="checkbox"/> A	+\$0
EK	medium red walnut, flat cut, low sheen <input type="checkbox"/> A	+\$0
G2U	light brown walnut, flat cut, low sheen <input type="checkbox"/> A	+\$0
G40	dark brown walnut, flat cut, low sheen <input type="checkbox"/> A	+\$0
GOU	natural walnut, flat cut, matte sheen <input type="checkbox"/> A	+\$0

Step 7. Base Finish

926	black <input type="checkbox"/> A	+\$0
CHR	chrome <input type="checkbox"/> A	+\$0
SAC	satin chrome <input type="checkbox"/> A	+\$0

Layer Occasional Table, No Shelf ALYSN

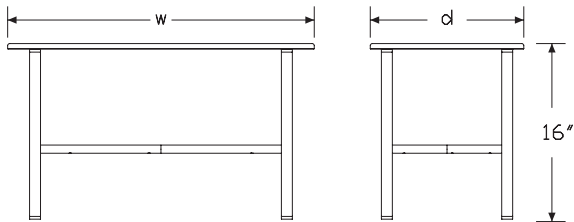


Product Information

Description

This table has a stainless steel frame and a 1/2" thick low-iron tempered glass top with radiused top edge and radiused corners.

Dimensions



Specification Information

Step 1.

ALYSN- A

Step 2. Width

28Z 28" wide A

46Z 46" wide A

66Z 66" wide A

Step 3. Depth

For 28" wide (28Z)

14Z 14" deep A

22Z 22" deep A

For 46" wide (46Z)

24Z 24" deep A

For 66" wide (66Z)

28Z 28" deep A

Step 4. Height

16Z 16" high A

Prices for Steps 1-4.

	16Z
ALYSN- 28Z 14Z	\$1622
22Z	\$1895
46Z 24Z	\$2571
66Z 28Z	\$2978

Step 5. Base Finish

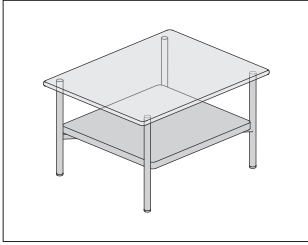
926 black A +\$0

CHR chrome A +\$0

SAC satin chrome A +\$0

Layer Occasional Table, Stone Shelf

ALYSS

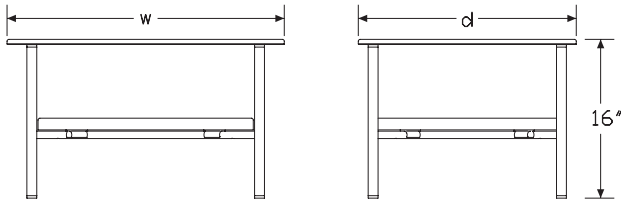


Product Information

Description

This table has a stainless steel frame and a 1/2" thick low-iron tempered glass top with radiused top edge and radiused corners. The stone shelf is 1 3/16" thick with radiused edge and radiused corners.

Dimensions



HermanMiller Ancillary—Occasional Tables

Specification Information

Step 1.

ALYSS- A

Step 2. Width

28Z 28" wide A

46Z 46" wide A

66Z 66" wide A

Step 3. Depth

For 28" wide (28Z)

14Z 14" deep A

22Z 22" deep A

For 46" wide (46Z)

24Z 24" deep A

For 66" wide (66Z)

28Z 28" deep A

Step 4. Height

16Z 16" high A

Prices for Steps 1-4.

	16Z
ALYSS- 28Z 14Z	\$3249
22Z	\$3521
46Z 24Z	\$5147
66Z 28Z	\$5689

Step 5. Stone

5UH georgia grey honed marble A +\$0

DPH georgia white honed marble A +\$0

Step 6. Base Finish

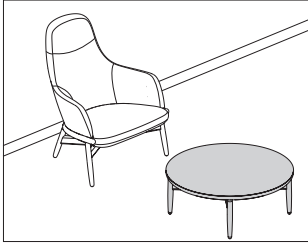
926 black A +\$0

CHR chrome A +\$0

SAC satin chrome A +\$0

Reframe Occasional Table

AFCA
AFCW
AFRA
AFRW
AFSA
AFSW

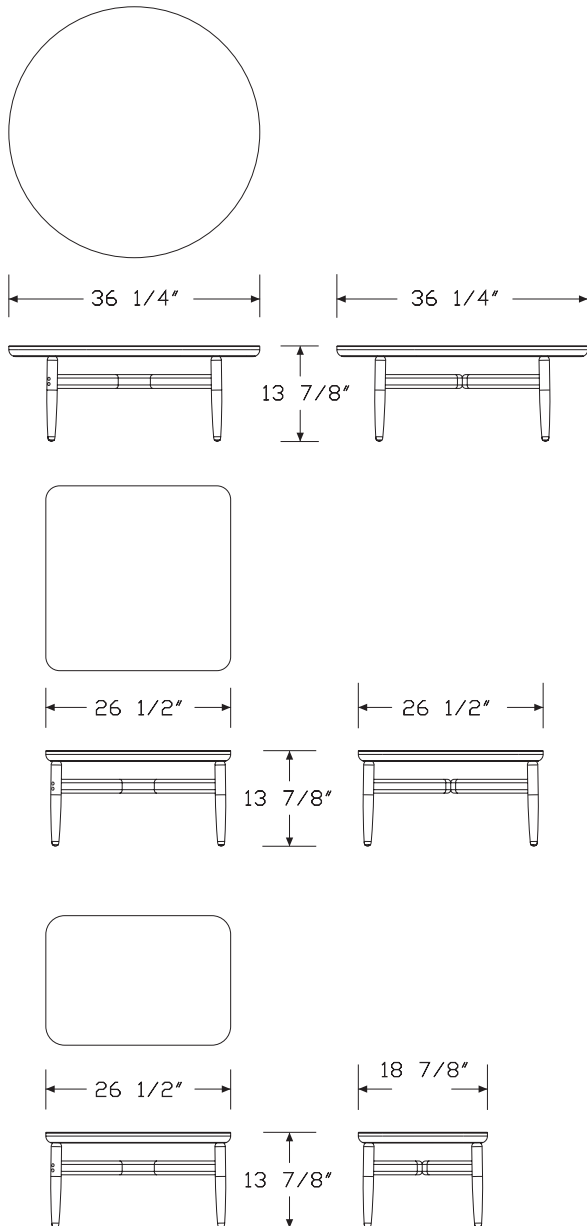


Product Information

Description

This table has a solid ash or walnut frame with a beveled edge veneer surface. Ships fully assembled.

Dimensions



Specification Information

Step 1.

AF

Step 2. Shape

C circular

S square

R rectangular

Step 3. Wood Species

A ash

W walnut

Prices for Steps 1-3.

AFCA	\$1458
AFCW	\$1857
AFSA	\$1325
AFSW	\$1724
AFRA	\$1124
AFRW	\$1390

Step 4. Wood Finish

For ash (A)

991	champagne ash, low sheen <input type="checkbox"/>	+\$0
998	ebony ash, low sheen <input type="checkbox"/>	+\$0

For ash (A)

677	chocolate ash, matte sheen <input type="checkbox"/>	+\$0
6A1	white ash, matte sheen <input type="checkbox"/>	+\$0

For walnut (W)

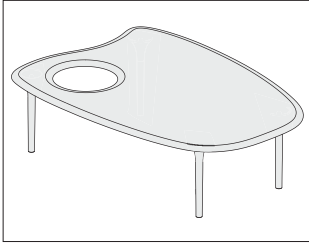
972	sundance walnut, low sheen <input type="checkbox"/>	+\$0
EK	medium red walnut, low sheen <input type="checkbox"/>	+\$0
G2U	light brown walnut, low sheen <input type="checkbox"/>	+\$0
G40	dark brown walnut, low sheen <input type="checkbox"/>	+\$0

For walnut (W)

662	toasted walnut, matte sheen <input type="checkbox"/>	+\$0
663	charred walnut, matte sheen <input type="checkbox"/>	+\$0
664	bronzed walnut, matte sheen <input type="checkbox"/>	+\$0
665	smoked walnut, matte sheen <input type="checkbox"/>	+\$0
666	coffee walnut, matte sheen <input type="checkbox"/>	+\$0
GOU	walnut, matte sheen <input type="checkbox"/>	+\$0

Cyclade Tables

FE1LS
FE1LW
FE1MS
FE1MW
FE1TS
FE1TW



Product Information

Description

This family of sculptural, nesting occasional tables is meant for flexibility and play. They come in 3 different top shapes and sizes, each with their own height. Tops come in wood or stone.

Notes

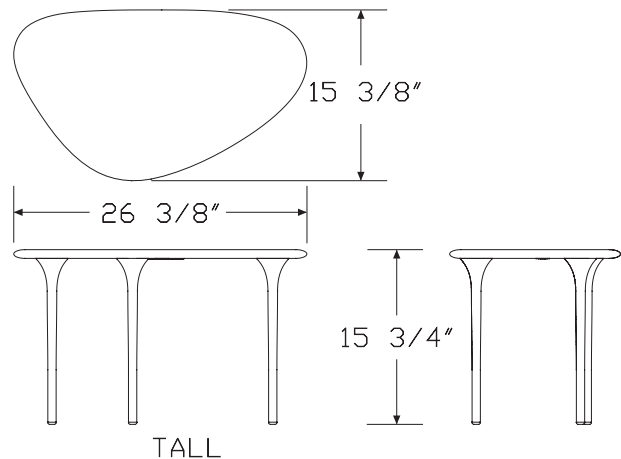
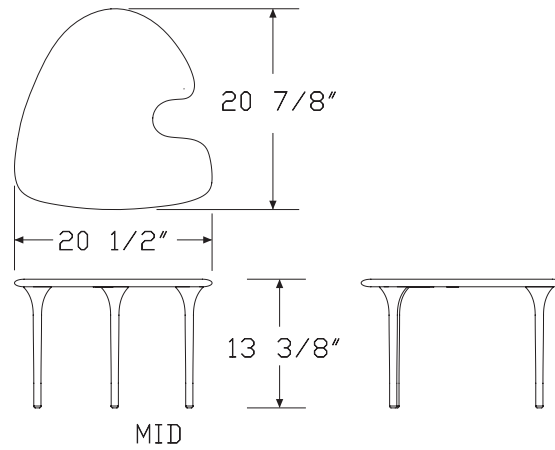
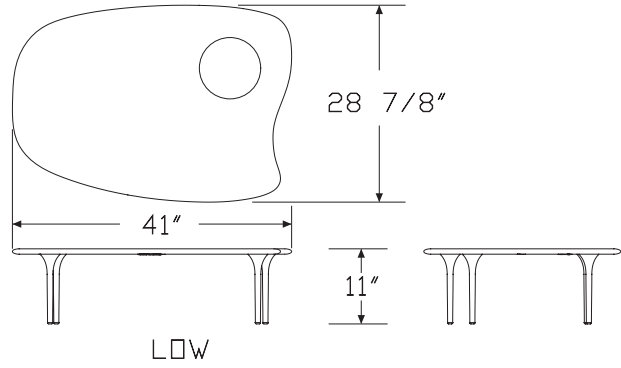
Natural characteristics in stone cause variations in hues, veins, crystals, and distinctive marks. These variations and subtle changes seen as the stone ages are values associated with natural materials. No two tabletops are identically the same; variations in both color and veining are to be expected. Over time the stone may fade in color, staining of the surface may appear, and surface cracks—if not readily visible at time of purchase—may appear. Small cracks do not affect the structure of the tabletop.

Top shapes and sizes are predetermined based on table height specified (low, mid, tall). Table legs and tops are not interchangeable. Leg finish is always Onyx Ultra Matte (BLX) which matches Aeron® Onyx.

Ebony (EN) is stained on oak wood.

HermanMiller Ancillary—Occasional Tables

Dimensions



Specification Information

Step 1.

FE1

Step 2. Height

L low

M mid

T tall

Step 3. Top Material

W wood

S stone

Prices for Steps 1-3.

FE1LW	\$1684
FE1LS	\$2984
FE1MW	\$1294
FE1MS	\$2594
FE1TW	\$1034
FE1TS	\$2334

Step 4. Top Finish

For low (L) with wood (W)

EN ebony +\$0

OU walnut +\$260

WHN white oak +\$260

For mid (M) with wood (W)

EN ebony +\$0

OU walnut +\$260

WHN white oak +\$260

For tall (T) with wood (W)

EN ebony +\$0

OU walnut +\$260

WHN white oak +\$260

For low (L) with stone (S)

CRR Carrara marble +\$0

For mid (M) with stone (S)

CRR Carrara marble +\$0

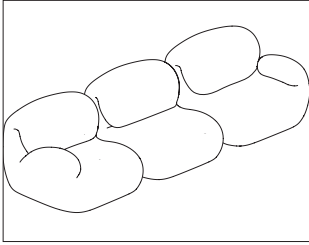
For tall (T) with stone (S)

CRR Carrara marble +\$0

Step 5. Leg Finish

BLX onyx ultra matte +\$0

Luva Modular Sofa, 3 Seat Sofa GLR50



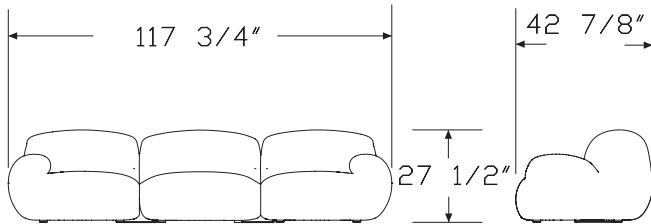
HermanMiller Ancillary—Occasional Tables

Product Information

Description
 This 3-seat modular sofa has a steel frame construction with an articulating back rest. High-resilience foam provides a comfortable, plush sit. Sofa offers a sit height of 16" and a depth of 23½". Seats have black glides. Ganging hardware included.

Notes
 Limited textile selection available. See application chart in appendices.

Dimensions



Specification Information

Step 1.

GLR5 A

Step 2. Configuration

00LNR 3 seats, left arm, armless, right arm A

Prices for Steps 1-2.

GLR500LNR \$11452

Step 3. Fire Retardancy

CRB Crib 5 compliant A +\$0

Step 4. Upholstery

Price Category 5 +\$1170

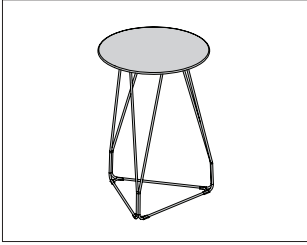
Price Category 8 +\$2730

Price Category 11 +\$4725

Price Category D +\$1125

Polygon Wire Table

- PWL14
- PWL22
- PWL26
- PWM14
- PWM18
- PWM26
- PWS16
- PWS20
- PWS26

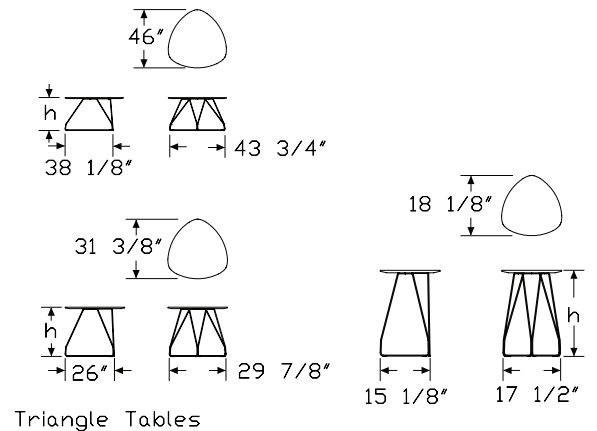
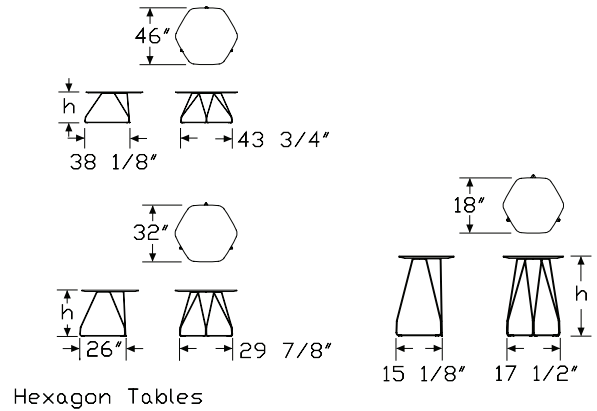
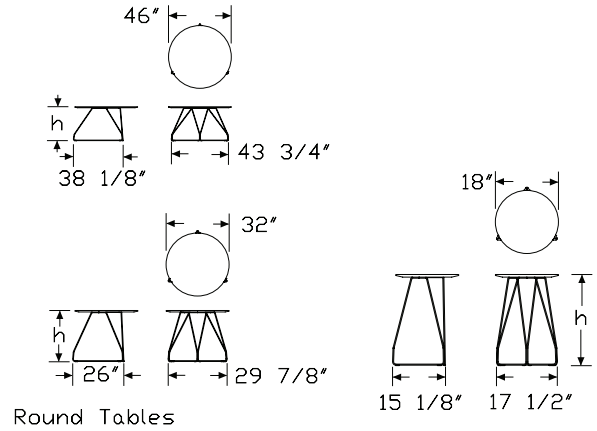


Product Information

Description

This table has a textured Formcoat® top that comes in 3 shapes and 3 sizes. The base is metal with textured paint, comes in 3 heights for each top shape, and has plastic glides. Top and base are the same color.

Dimensions



HermanMiller Ancillary-Occasional Tables

Polygon Wire Table *continued*

HermanMiller Ancillary—Occasional Tables

Specification Information

Step 1.

PW A

Step 2. Dimensions

- S16** 18" W top x 16" H base A
- S20** 18" W top x 20" H base A
- S26** 18" W top x 26" H base A
- M14** 32" W top x 14" H base A
- M18** 32" W top x 18" H base A
- M26** 32" W top x 26" H base A
- L14** 46" W top x 14" H base A
- L22** 46" W top x 22" H base A
- L26** 46" W top x 26" H base A

Step 3. Top Shape

- R** round A
- H** hexagon A
- T** triangle A

Prices for Steps 1-3.

PWS16	R	\$960
	H	\$960
	T	\$960
<hr/>		
PWS20	R	\$994
	H	\$994
	T	\$994
<hr/>		
PWS26	R	\$1029
	H	\$1029
	T	\$1029
<hr/>		
PWM14	R	\$1456
	H	\$1456
	T	\$1456
<hr/>		
PWM18	R	\$1506
	H	\$1506
	T	\$1506
<hr/>		
PWM26	R	\$1553
	H	\$1553
	T	\$1553

PWL14	R	\$1953
	H	\$1953
	T	\$1953

PWL22	R	\$2014
	H	\$2014
	T	\$2014

PWL26	R	\$2079
	H	\$2079
	T	\$2079

Step 4. Finish

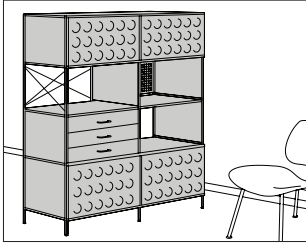
91	white	<input type="checkbox"/> A	+\$0
BK	black	<input type="checkbox"/> A	+\$0
G1	graphite	<input type="checkbox"/> A	+\$0

Storage



Eames® Storage Unit

ESU100
ESU150
ESU201
ESU230
ESU420



Product Information

Description

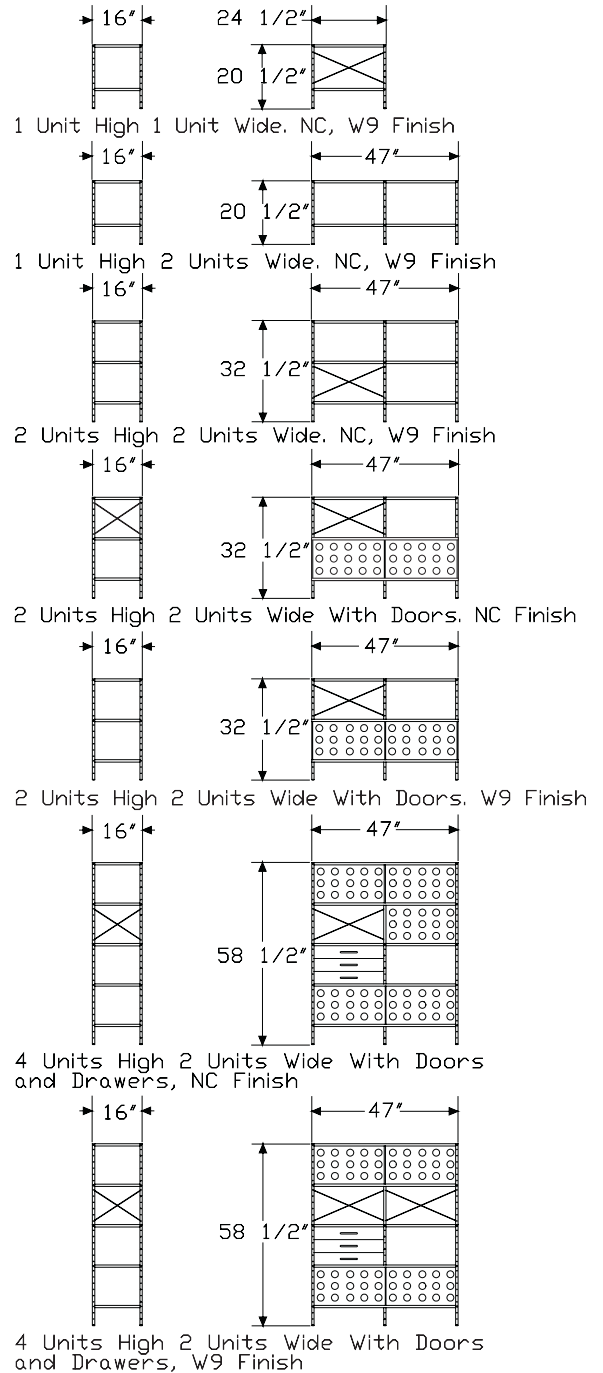
This storage unit is available in 1, 2, or 4 units high and 1 or 2 units wide with 5 configurations of shelves, drawers, and enclosed storage for books or binders. Some units have dimpled plywood doors; plywood drawer units and shelves; painted side and back panels; and steel uprights, cross supports, and perforated panels. The storage unit has adjustable glides.

Notes

For 2 units high, 2 units wide configurations (ESU201., ESU230.) with natural color (NC) surface finish, the divider between the top shelves is a cross-bar wire.

For 2 units high, 2 units wide configurations (ESU201., ESU230.) with multi-color (W9) surface finish, the divider between the top shelves is a blue panel.

Dimensions



Specification Information

Step 1.

ESU A

Step 2. Configuration

- 150.** 1 unit high, 1 unit wide A
- 100.** 1 unit high, 2 units wide A
- 201.** 2 units high, 2 units wide A
- 230.** 2 units high, 2 units wide, with doors A
- 420.** 4 units high, 2 units wide A

Prices for Steps 1-2.

ESU150.	\$1130
ESU100.	\$1906
ESU201.	\$2539
ESU230.	\$3243
ESU420.	\$5986

Step 3. Frame Finish

For 1 unit high, 1 unit wide (150.) or 1 unit high, 2 units wide (100.)

ZC zinc plated <input type="checkbox"/> A	+\$0
BU black <input type="checkbox"/> A	+\$49

For 2 units high, 2 units wide (201.) or 2 units high, 2 units wide, with doors (230.)

ZC zinc plated <input type="checkbox"/> A	+\$0
BU black <input type="checkbox"/> A	+\$77

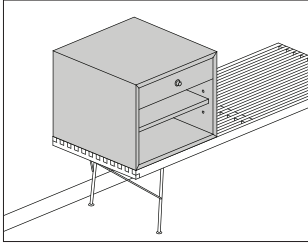
For 4 units high, 2 units wide (420.)

ZC zinc plated <input type="checkbox"/> A	+\$0
BU black <input type="checkbox"/> A	+\$157

Step 4. Surface Finish

NC natural color <input type="checkbox"/> A	+\$0
W9 multi-color <input type="checkbox"/> A	+\$0

Nelson® Basic Cabinet Series BC1618
16.5 x 18

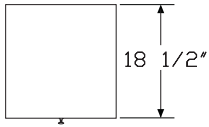


Product Information

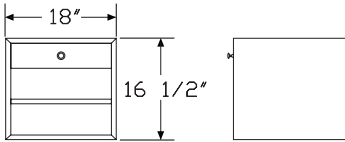
Description

This veneer cabinet provides small item storage and can be used freestanding or placed on top of the Nelson® platform bench.

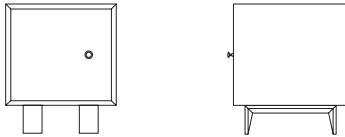
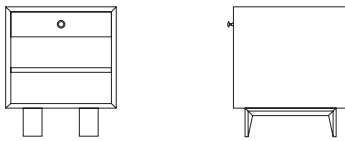
Dimensions



platform bench-mount base (B)



wood leg (W)



Specification Information

Step 1.

BC1618. [A]

Step 2. Type

B open cabinet with 1 drawer [A]

C closed cabinet, left-hinged door [A]

D closed cabinet, right-hinged door [A]

Step 3. Leg/Base Option

W wood leg [A]

B platform bench-mount base [A]

Step 4. Pull

A aluminum alloy pull, silver [A]

Prices for Steps 1-4.

			A
BC1618.	B	W	\$1404
	B		\$1404
	C	W	\$1404
	B		\$1404
	D	W	\$1404
	B		\$1404

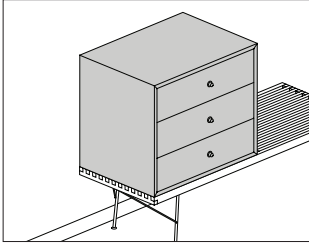
Step 5. Finish

2U light brown walnut [A] +\$0

OK natural oak [A] +\$0

OU walnut [A] +\$0

Nelson® Basic Cabinet Series BC2424
24 x 24



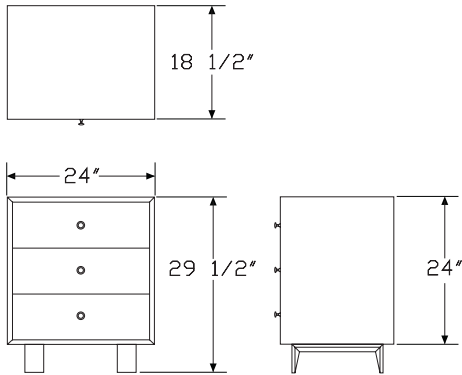
HermanMiller Ancillary-Storage

Product Information

Description

This veneer cabinet provides small item storage and can be used freestanding or placed on top of a Nelson® platform bench.

Dimensions



Specification Information

Step 1.

BC2424. A

Step 2. Type

E 3-drawer cabinet A

Step 3. Leg/Base Option

W wood leg A

B platform bench-mount base A

Step 4. Pull

A aluminum alloy pull, silver A

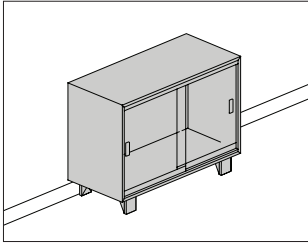
Prices for Steps 1-4.

	A
BC2424. E W	\$3119
B	\$2880

Step 5. Finish

2U light brown walnut <input type="checkbox"/> A	+\$0
OK natural oak <input type="checkbox"/> A	+\$0
OU walnut <input type="checkbox"/> A	+\$0

Nelson® Basic Cabinet Series BC2434
24 x 34

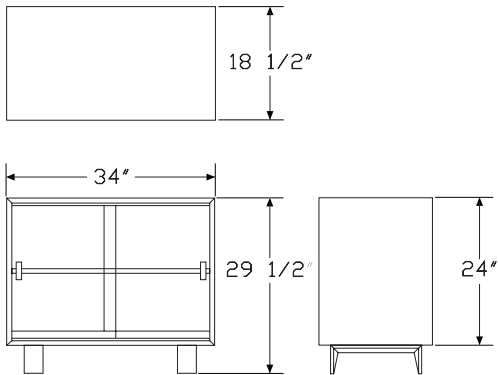


Product Information

Description

This veneer cabinet has 2 sliding glass doors and can be used freestanding or placed on top of a Nelson® platform bench.

Dimensions



Specification Information

Step 1.

BC2434. A

Step 2. Type

J closed cabinet, 2 sliding doors A

Step 3. Leg/Base Option

W wood leg A

B platform bench-mount base A

Step 4. Pull

N no pull A

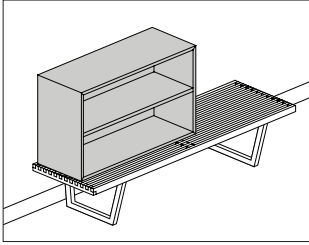
Prices for Steps 1-4.

			N
BC2434. J	W		\$3413
	B		\$3173

Step 5. Finish

2U	light brown walnut <input type="checkbox"/> A	+\$0
OK	natural oak <input type="checkbox"/> A	+\$0
OU	walnut <input type="checkbox"/> A	+\$0

Nelson® Basic Cabinet Series BC2400
24 x 34 Bookcase



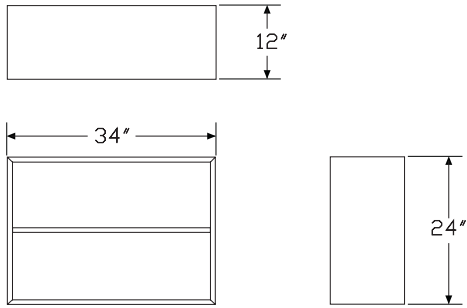
HermanMiller Ancillary-Storage

Product Information

Description

This 12"-deep veneer open bookcase sits on a Nelson® platform bench and has a shelf that adjusts in 2" increments over a 6" range.

Dimensions



Specification Information

Step 1.

BC2400. A

Step 2. Type

H open bookcase A

Step 3. Leg/Base Option

B platform bench-mount base A

Step 4. Pull

N no pull A

Prices for Steps 1-4.

	N
BC2400. H B	\$1858

Step 5. Finish

2U light brown walnut <input type="checkbox"/> A	+\$0
OK natural oak <input type="checkbox"/> A	+\$0
OU walnut <input type="checkbox"/> A	+\$0

Nelson™ Miniature Chest
6 Drawer

NC526
NC556



Product Information

Description

This chest has 6 small drawers with metal pulls. The chest body and drawers are constructed of solid wood as specified, with laminate on the top surface. Depending on the model, it has 3/8" solid-brass glides or a 4-star aluminum base with adjustable glides.

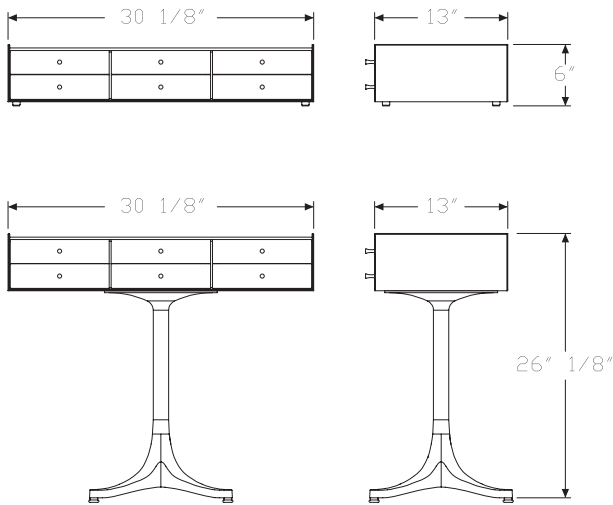
Notes

For the walnut and dark brown walnut combination (RT) option, the case finish is solid walnut and the drawer fronts are solid walnut stained dark brown.

For the white ash and walnut combination (UR) option, the case finish is solid white ash and the drawer fronts are solid walnut.

For the teak and dark brown teak combination (US) option, the case finish is solid teak and the drawer fronts are solid teak stained dark brown.

Dimensions



Specification Information

Step 1.

NC5 [A]

Step 2. Type

26 without pedestal base [A]

56 with pedestal base [A]

Prices for Steps 1-2.

NC526 \$4104

NC556 \$4713

Step 3. Case Finish

OU walnut [A] +\$0

RT walnut and dark brown walnut combination [A] +\$0

A2 white ash [A] +\$115

UR white ash and walnut combination [A] +\$115

OT teak [A] +\$591

US teak and dark brown teak combination [A] +\$591

Step 4. Top Finish

Solid-Color Laminate

98 studio white [A] +\$0

BK black - generic [A] +\$0

Step 5. Pull Finish

98 metal pull, studio white [A] +\$0

BK metal pull, black [A] +\$0

L metal pull, aluminum [A] +\$0

Step 6. Base Finish

For with pedestal base (56)

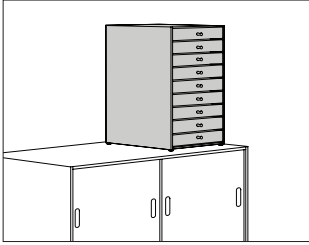
98 studio white [A] +\$0

BK black [A] +\$0

L polished aluminum [A] +\$50

Nelson™ Miniature Chest
9 Drawer

NC529
NC559



HermanMiller Ancillary-Storage

Product Information

Description

This chest has 9 small drawers with metal pulls. The chest body and drawers are constructed of solid wood as specified. Depending on the model, it has 3/8" solid-brass glides or a 4-star aluminum base with adjustable glides.

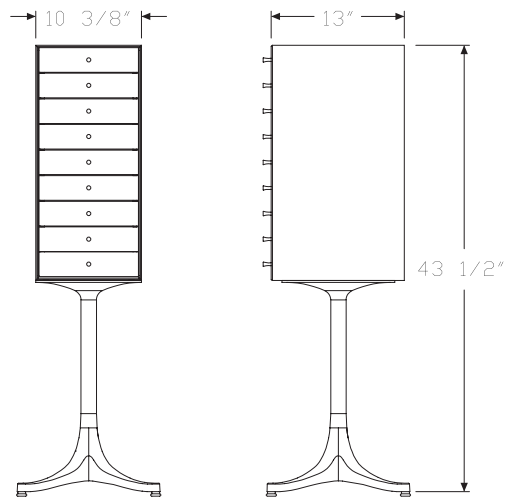
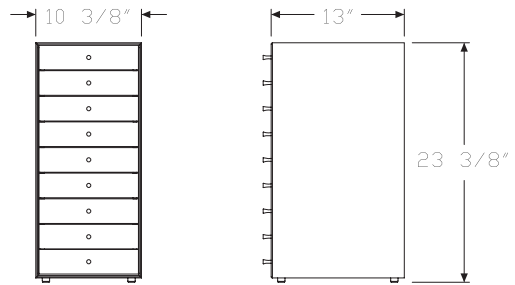
Notes

For the walnut and dark brown walnut combination (RT) option, the case finish is solid walnut and the drawer fronts are solid walnut stained dark brown.

For the white ash and walnut combination (UR) option, the case finish is solid white ash and the drawer fronts are solid walnut.

For the teak and dark brown teak combination (US) option, the case finish is solid teak and the drawer fronts are solid teak stained dark brown.

Dimensions



Nelson™ Miniature Chest

9 Drawer *continued*

Specification Information

Step 1.

NC5

Step 2. Type

29 without pedestal base

59 with pedestal base

Prices for Steps 1-2.

NC529 \$4393

NC559 \$4970

Step 3. Case Finish

OU walnut +\$0

RT walnut and dark brown walnut combination +\$0

A2 white ash +\$144

UR white ash and walnut combination +\$144

OT teak +\$856

US teak and dark brown teak combination +\$856

Step 4. Pull Finish

98 metal pull, studio white +\$0

BK metal pull, black +\$0

L metal pull, aluminum +\$0

Step 5. Base Finish

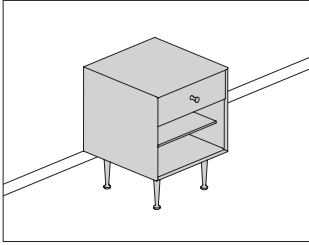
For with pedestal base (59)

98 studio white +\$0

BK black +\$0

L polished aluminum +\$50

Nelson® Thin Edge Bedside Table TE1618



HermanMiller Ancillary-Storage

Product Information

Description

This bedside table has polished aluminum legs. The drawer has solid wood construction with soft closing slides.

Notes

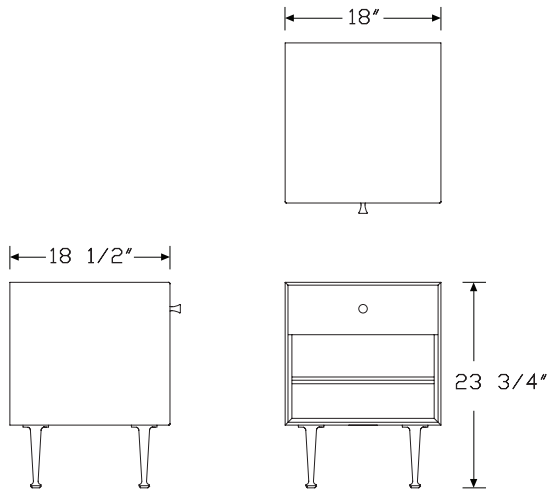
The unfinished back panel (BCF) option is intended for applications where this table will be placed against a wall.

For the walnut and dark brown walnut combination (RT) option, the case finish is walnut (OU) and the drawer or door fronts are dark brown walnut (40).

For the white ash and walnut combination (UR) option, the case finish is white ash (A2) and the drawer or door fronts are walnut (OU).

Santos palisander veneer is celebrated for its unique grain and color variations. Similar products ordered in multiples or dissimilar products ordered separately should be expected to have variation in both grain and color characteristics; no two products will look exactly alike.

Dimensions



Specification Information

Step 1.

TE1618. [A]

Step 2. Type

L bedside table with 1 drawer and 1 shelf [A]

Step 3. Leg

H 7" polished aluminum with height adjustable glide [A]

Step 4. Pull

A aluminum alloy pull, silver [A]

B metal pull, aluminum [A]

C metal pull, white [A]

D metal pull, black [A]

Prices for Steps 1-4.

	A	B	C	D
TE1618. L H	\$2842	2875	2875	2875

Step 5. Case Finish

OU walnut [A]	+\$0
A2 white ash [A]	+\$182
RT walnut and dark brown walnut combination [A]	+\$182
UR white ash and walnut combination [A]	+\$182
9N santos palisander [A]	+\$6305

Step 6. Back Panel

For walnut (OU)

BCF unfinished (matte black) [A]	+\$0
BCG finished alike [A]	+\$155

For white ash (A2)

BCF unfinished (matte black) [A]	+\$0
BCG finished alike [A]	+\$155

For walnut and dark brown walnut combination (RT)

BCF unfinished (matte black) [A]	+\$0
BCG finished alike [A]	+\$155

For white ash and walnut combination (UR)

BCF unfinished (matte black) [A]	+\$0
BCG finished alike [A]	+\$155

Nelson® Thin Edge Bedside Table

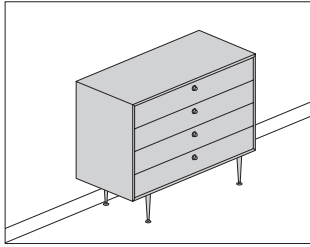
continued

For santos palisander (9N)

BCF	unfinished (matte black) A	+\$0
BCG	finished alike A	+\$1397

Nelson® Thin Edge Chest

TE2100



HermanMiller Ancillary-Storage

Product Information

Description

This chest has polished aluminum legs and either 3 or 4 drawers. Drawers are solid wood construction with soft closing slides.

Notes

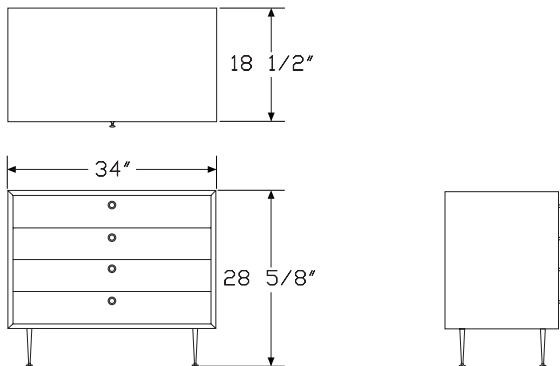
The unfinished back panel (BCF) option is intended for applications where this chest will be placed against a wall.

For the walnut and dark brown walnut combination (RT) option, the case finish is walnut (OU) and the drawer or door fronts are dark brown walnut (40).

For the white ash and walnut combination (UR) option, the case finish is white ash (A2) and the drawer or door fronts are walnut (OU).

Santos palisander veneer is celebrated for its unique grain and color variations. Similar products ordered in multiples or dissimilar products ordered separately should be expected to have variation in both grain and color characteristics; no two products will look exactly alike.

Dimensions



Specification Information

Step 1.

TE2100. A

Step 2. Type

S 4 drawer chest A

T 3 drawer chest A

Step 3. Leg

H 7" polished aluminum with height adjustable glide A

Step 4. Pull

A aluminum alloy pull, silver A

B metal pull, aluminum A

C metal pull, white A

D metal pull, black A

Prices for Steps 1-4.

		A	B	C	D
TE2100.	S H	\$6796	6868	6868	6868
	T H	\$6457	6529	6529	6529

Step 5. Case Finish

OU walnut A +\$0

A2 white ash A +\$233

RT walnut and dark brown walnut combination A +\$233

UR white ash and walnut combination A +\$233

9N santos palisander A +\$6305

Step 6. Back Panel

For walnut (OU)

BCF unfinished (matte black) A +\$0

BCG finished alike A +\$155

For white ash (A2)

BCF unfinished (matte black) A +\$0

BCG finished alike A +\$155

For walnut and dark brown walnut combination (RT)

BCF unfinished (matte black) A +\$0

BCG finished alike A +\$155

For white ash and walnut combination (UR)

BCF unfinished (matte black) A +\$0

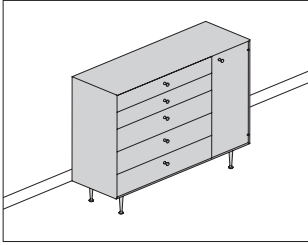
BCG finished alike A +\$155

Nelson® Thin Edge Chest *continued*

For santos palisander (9N)

BCF	unfinished (matte black) A	+\$0
BCG	finished alike A	+\$776

Nelson® Thin Edge Chest Cabinet TE3400



HermanMiller Ancillary—Storage

Product Information

Description

This chest cabinet has polished aluminum legs. The 5 drawers have solid wood construction with soft closing slides. The 1-door cabinet portion has 2 adjustable shelves.

Notes

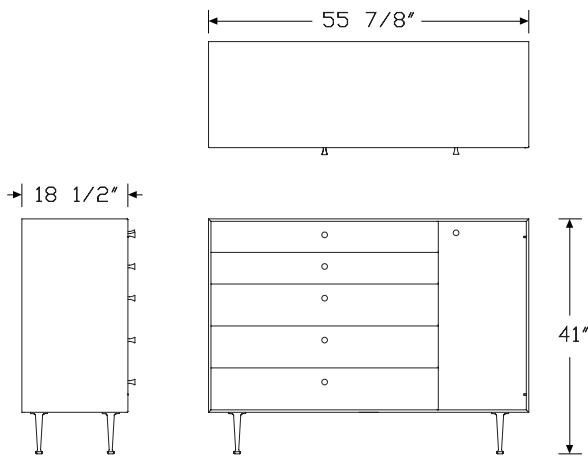
The unfinished back panel (BCF) option is intended for applications where this chest will be placed against a wall.

For the walnut and dark brown walnut combination (RT) option, the case finish is walnut (OU) and the drawer or door fronts are dark brown walnut (40).

For the white ash and walnut combination (UR) option, the case finish is white ash (A2) and the drawer or door fronts are walnut (OU).

Santos palisander veneer is celebrated for its unique grain and color variations. Similar products ordered in multiples or dissimilar products ordered separately should be expected to have variation in both grain and color characteristics; no two products will look exactly alike.

Dimensions



Specification Information

Step 1.

TE3400. A

Step 2. Type

E 5 drawer cabinet with 1 right door A

M 5 drawer cabinet with 1 left door A

Step 3. Leg

H 7" polished aluminum with height adjustable glide A

Step 4. Pull

A aluminum alloy pull, silver A

B metal pull, aluminum A

C metal pull, white A

D metal pull, black A

Prices for Steps 1-4.

	A	B	C	D
TE3400. E H	\$11355	11427	11427	11427
M H	\$11355	11427	11427	11427

Step 5. Case Finish

OU walnut A +\$0

A2 white ash A +\$384

RT walnut and dark brown walnut combination A +\$384

UR white ash and walnut combination A +\$384

9N santos palisander A +\$8991

Step 6. Back Panel

For walnut (OU)

BCF unfinished (matte black) A +\$0

BCG finished alike A +\$260

For white ash (A2)

BCF unfinished (matte black) A +\$0

BCG finished alike A +\$260

For walnut and dark brown walnut combination (RT)

BCF unfinished (matte black) A +\$0

BCG finished alike A +\$260

For white ash and walnut combination (UR)

BCF unfinished (matte black) A +\$0

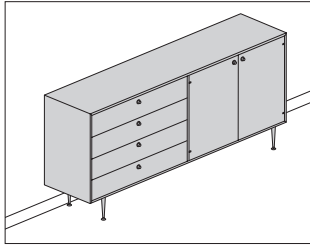
BCG finished alike A +\$260

Nelson® Thin Edge Chest Cabinet

continued

For santos palisander (9N)

BCF	unfinished (matte black) <input type="checkbox"/> A	+\$0
BCG	finished alike <input type="checkbox"/> A	+\$2796



HermanMiller Ancillary—Storage

Product Information

Description

This buffet has polished aluminum legs. The four drawers have solid wood construction with soft closing slides. The two-door cabinet portion has 2 adjustable shelves.

Notes

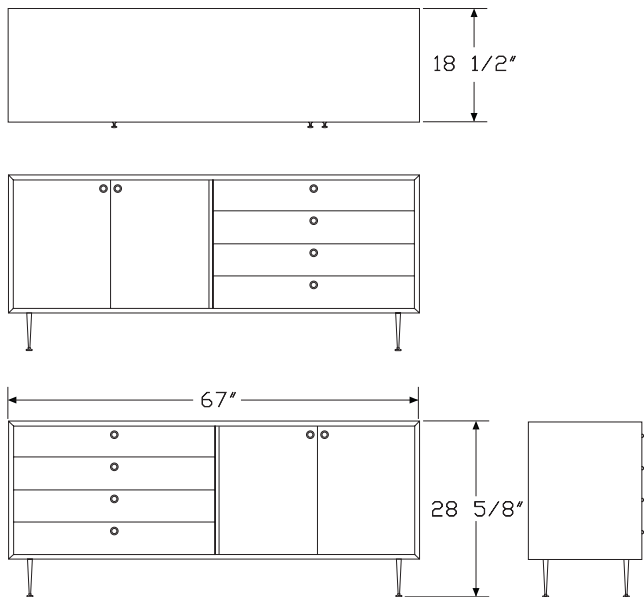
The unfinished back panel (BCF) option is intended for applications where this chest will be placed against a wall.

For the walnut and dark brown walnut combination (RT) option, the case finish is walnut (OU) and the drawer or door fronts are dark brown walnut (40).

For the white ash and walnut combination (UR) option, the case finish is white ash (A2) and the drawer or door fronts are walnut (OU).

Santos palisander veneer is celebrated for its unique grain and color variations. Similar products ordered in multiples or dissimilar products ordered separately should be expected to have variation in both grain and color characteristics; no two products will look exactly alike.

Dimensions



Specification Information

Step 1.

TE2167. [A]

Step 2. Type

R 4 drawer buffet with 2 doors [A]

L 4 drawer buffet with 2 left doors [A]

Step 3. Leg

H 7" polished aluminum with height adjustable glide [A]

Step 4. Pull

A aluminum alloy pull, silver [A]

B metal pull, aluminum [A]

C metal pull, white [A]

D metal pull, black [A]

Prices for Steps 1-4.

		A	B	C	D
TE2167.	R H	\$11185	11258	11258	11258
	L H	\$11185	11258	11258	11258

Step 5. Case Finish

OU	walnut [A]				+\$0
A2	white ash [A]				+\$384
RT	walnut and dark brown walnut combination [A]				+\$384
UR	white ash and walnut combination [A]				+\$384
9N	santos palisander [A]				+\$8991

Step 6. Back Panel

For walnut (OU)

BCF	unfinished (matte black) [A]				+\$0
BCG	finished alike [A]				+\$260

For white ash (A2)

BCF	unfinished (matte black) [A]				+\$0
BCG	finished alike [A]				+\$260

For walnut and dark brown walnut combination (RT)

BCF	unfinished (matte black) [A]				+\$0
BCG	finished alike [A]				+\$260

For white ash and walnut combination (UR)

BCF	unfinished (matte black) [A]				+\$0
BCG	finished alike [A]				+\$260

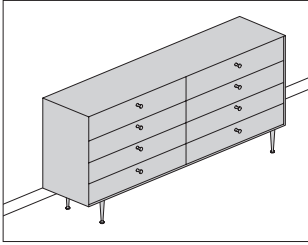
Nelson® Thin Edge Buffet *continued*

For santos palisander (9N)

BCF	unfinished (matte black) A	+\$0
BCG	finished alike A	+\$2796

Nelson® Thin Edge Double Dresser

TE0204



HermanMiller Ancillary-Storage

Product Information

Description

This double dresser has polished aluminum legs. The 8 drawers have solid wood construction with soft closing slides.

Notes

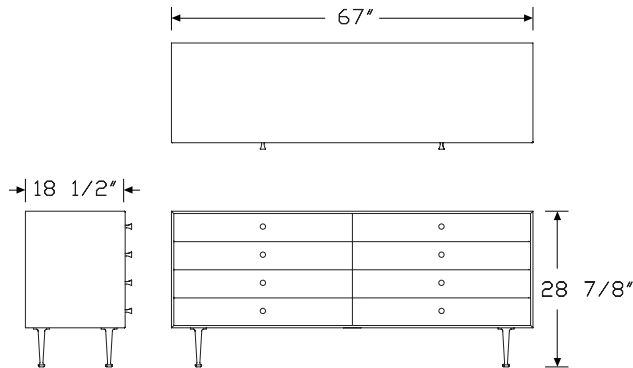
The unfinished back panel (BCF) option is intended for applications where this dresser will be placed against a wall.

For the walnut and dark brown walnut combination (RT) option, the case finish is walnut (OU) and the drawer or door fronts are dark brown walnut (40).

For the white ash and walnut combination (UR) option, the case finish is white ash (A2) and the drawer or door fronts are walnut (OU).

Santos palisander veneer is celebrated for its unique grain and color variations. Similar products ordered in multiples or dissimilar products ordered separately should be expected to have variation in both grain and color characteristics; no two products will look exactly alike.

Dimensions



Specification Information

Step 1.

TE0204. A

Step 2. Type

J eight drawer dresser A

Step 3. Leg

H 7" polished aluminum with height adjustable glide A

Step 4. Pull

A aluminum alloy pull, silver A

B metal pull, aluminum A

C metal pull, white A

D metal pull, black A

Prices for Steps 1-4.

	A	B	C	D
TE0204. J H	\$9535	9605	9605	9605

Step 5. Case Finish

OU walnut A	+\$0
A2 white ash A	+\$384
RT walnut and dark brown walnut combination A	+\$384
UR white ash and walnut combination A	+\$384
9N santos palisander A	+\$8991

Step 6. Back Panel

For walnut (OU)

BCF unfinished (matte black) A	+\$0
BCG finished alike A	+\$260

For white ash (A2)

BCF unfinished (matte black) A	+\$0
BCG finished alike A	+\$260

For walnut and dark brown walnut combination (RT)

BCF unfinished (matte black) A	+\$0
BCG finished alike A	+\$260

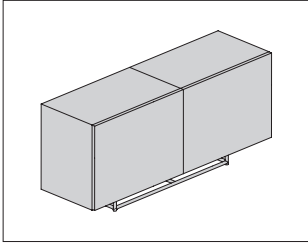
For white ash and walnut combination (UR)

BCF unfinished (matte black) A	+\$0
BCG finished alike A	+\$260

Nelson® Thin Edge Double
Dresser *continued*

For santos palisander (9N)

BCF	unfinished (matte black) <input type="checkbox"/>	+\$0
BCG	finished alike <input type="checkbox"/>	+\$2796



HermanMiller Ancillary-Storage

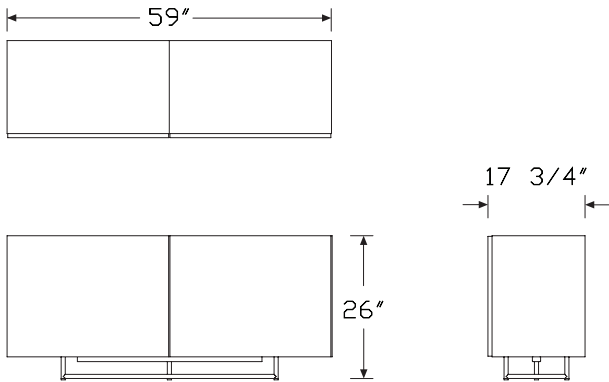
Product Information

Description
 This credenza provides shelf storage, is 2 units wide, and comes with contrasting exterior and interior veneer. Standard interior veneer is ash, and exterior veneer is available in santos palisander, walnut, and ebony. Credenza back exterior is finished. Bases and pulls are metal with chrome or satin chrome finish. Hinged door units 26" high include 1 adjustable shelf that is 3/4" thick.

Notes

Locks are not available.
 Shelves match interior finish.
 Wood components in credenzas 2 and 3 units wide ship assembled.
 Bases ship separately and must be field installed.

Dimensions



Specification Information

Step 1.
IWCS2C-185926 [A] \$6995

Step 2. Wood Finish

Matte Finishes

DAE	ebony exterior, ash interior	[A]	+\$0
DAR	santos palisander exterior, ash interior	[A]	+\$0
DAW	walnut exterior, ash interior	[A]	+\$0

Step 3. Base Finish

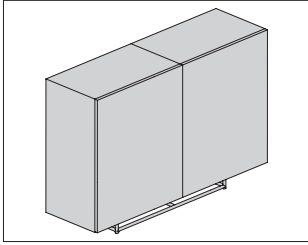
CHR	chrome	[A]	+\$0
SAC	satin chrome	[A]	+\$0

Step 4. Pull Finish

CHR	chrome	[A]	+\$0
SAC	satin chrome	[A]	+\$0

Domino Sideboard

IWSS2



Product Information

Description

This sideboard provides shelf storage, is 2 units wide, and comes with contrasting exterior and interior veneer. Standard interior veneer is ash, and exterior veneer is available in santos palisander, walnut, and ebony. Credenza back exterior is finished. Bases and pulls are metal with chrome or satin chrome finish. Hinged door units 40" high include 2 adjustable shelves that are each 3/4" thick.

Notes

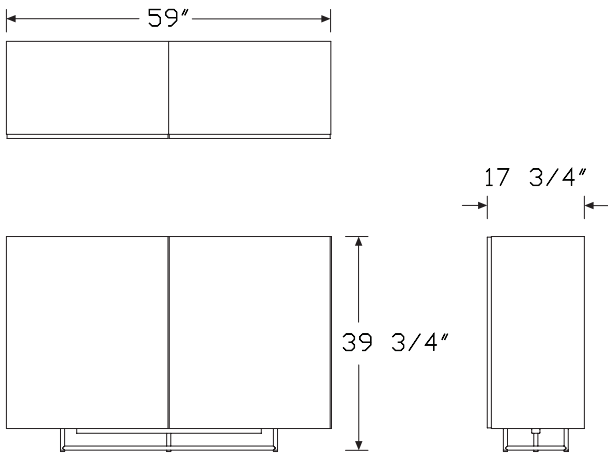
Locks are not available.

Shelves match interior finish.

Wood components in credenzas 2 and 3 units wide ship assembled.

Bases ship separately and must be field installed.

Dimensions



Specification Information

Step 1.

IWSS2C-185940 [A] \$8500

Step 2. Wood Finish

Matte Finishes

DAE	ebony exterior, ash interior [A]	+\$0
DAR	santos palisander exterior, ash interior [A]	+\$0
DAW	walnut exterior, ash interior [A]	+\$0

Step 3. Base Finish

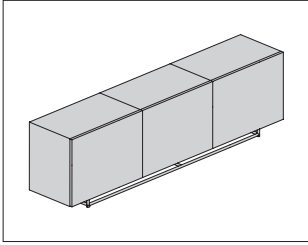
CHR	chrome [A]	+\$0
SAC	satin chrome [A]	+\$0

Step 4. Pull Finish

CHR	chrome [A]	+\$0
SAC	satin chrome [A]	+\$0

Domino Credenza

IWCS3



HermanMiller Ancillary-Storage

Product Information

Description

This credenza provides shelf storage, is 3 units wide, and comes with contrasting exterior and interior veneer. Standard interior veneer is ash, and exterior veneer is available in santos palisander, walnut, and ebony. Credenza back exterior is finished. Bases and pulls are metal with chrome or satin chrome finish. Hinged door units 26" high include 1 adjustable shelf that is 3/4" thick.

Notes

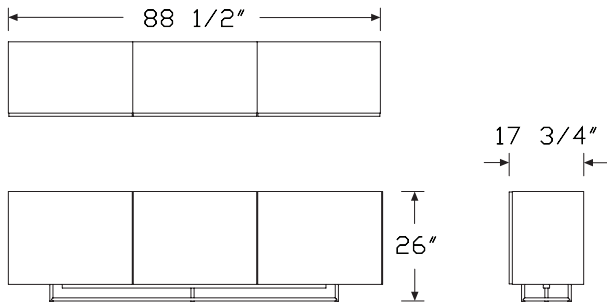
Locks are not available.

Shelves match interior finish.

Wood components in credenzas 2 and 3 units wide ship assembled.

Bases ship separately and must be field installed.

Dimensions



Specification Information

Step 1.

IWCS3C-188926 [A] \$10489

Step 2. Wood Finish

Matte Finishes

DAE ebony exterior, ash interior [A] +\$0
DAR santos palisander exterior, ash interior [A] +\$0
DAW walnut exterior, ash interior [A] +\$0

Step 3. Base Finish

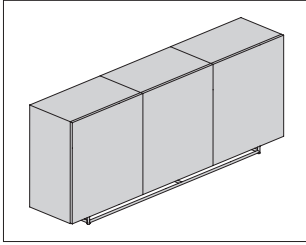
CHR chrome [A] +\$0
SAC satin chrome [A] +\$0

Step 4. Pull Finish

CHR chrome [A] +\$0
SAC satin chrome [A] +\$0

Domino Sideboard

IWSS3



Product Information

Description

This sideboard provides shelf storage, is 3 units wide, and comes with contrasting exterior and interior veneer. Standard interior veneer is ash, and exterior veneer is available in santos palisander, walnut, and ebony. Credenza back exterior is finished. Bases and pulls are metal with chrome or satin chrome finish. Hinged door units 40" high include 2 adjustable shelves that are each 3/4" thick.

Notes

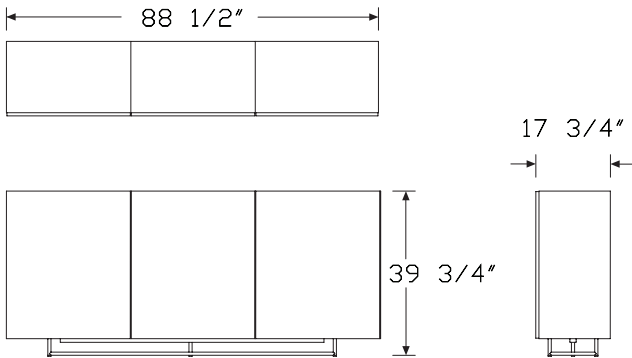
Locks are not available.

Shelves match interior finish.

Wood components in credenzas 2 and 3 units wide ship assembled.

Bases ship separately and must be field installed.

Dimensions



Specification Information

Step 1.

IWSS3C-188940 [A] \$12745

Step 2. Wood Finish

Matte Finishes

DAE	ebony exterior, ash interior [A]	+\$0
DAR	santos palisander exterior, ash interior [A]	+\$0
DAW	walnut exterior, ash interior [A]	+\$0

Step 3. Base Finish

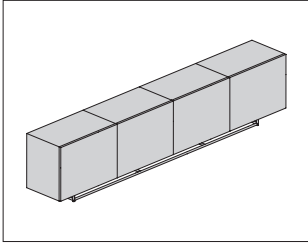
CHR	chrome [A]	+\$0
SAC	satin chrome [A]	+\$0

Step 4. Pull Finish

CHR	chrome [A]	+\$0
SAC	satin chrome [A]	+\$0

Domino Credenza

IWCS4



HermanMiller Ancillary-Storage

Product Information

Description

This credenza provides shelf storage, is 4 units wide, and comes with contrasting exterior and interior veneer. Standard interior veneer is ash, and exterior veneer is available in santos palisander, walnut, and ebony. Credenza back exterior is finished. Bases and pulls are metal with chrome or satin chrome finish. Hinged door units 26" high include 1 adjustable shelf that is 3/4" thick.

Notes

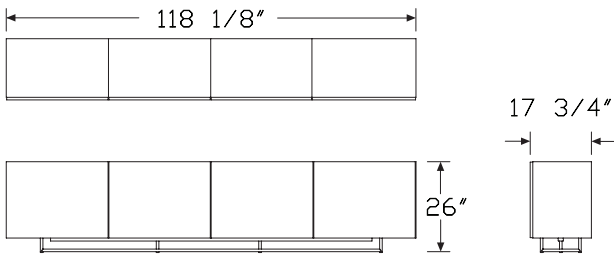
Locks are not available.

Shelves match interior finish.

Wood components in 4-unit-wide credenzas ship as 2 assembled units.

Bases ship separately and must be field installed.

Dimensions



Specification Information

Step 1.

IWCS4C-1811826 A \$13986

Step 2. Wood Finish

Matte Finishes

DAE	ebony exterior, ash interior	A	+\$0
DAR	santos palisander exterior, ash interior	A	+\$0
DAW	walnut exterior, ash interior	A	+\$0

Step 3. Base Finish

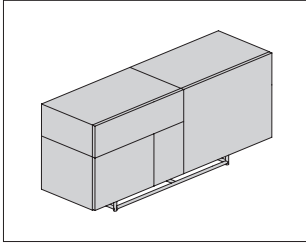
CHR	chrome	A	+\$0
SAC	satin chrome	A	+\$0

Step 4. Pull Finish

CHR	chrome	A	+\$0
SAC	satin chrome	A	+\$0

Domino Credenza

IWCM2



Product Information

Description

This credenza provides mixed storage, is 2 units wide, and comes with contrasting exterior and interior veneer. Standard interior veneer is ash, and exterior veneer is available in santos palisander, walnut, and ebony. Credenza back exterior is finished. Drawer boxes are quarter cut natural ash, and waste bin is a removable quarter cut natural ash box. Drawer boxes and waste bin have a hand-rubbed tung oil finish. Bases and pulls are metal with chrome or satin chrome finish. File drawers include stainless steel rods for hanging folders. Hinged door units 26" high include 1 adjustable shelf that is 3/4" thick.

Notes

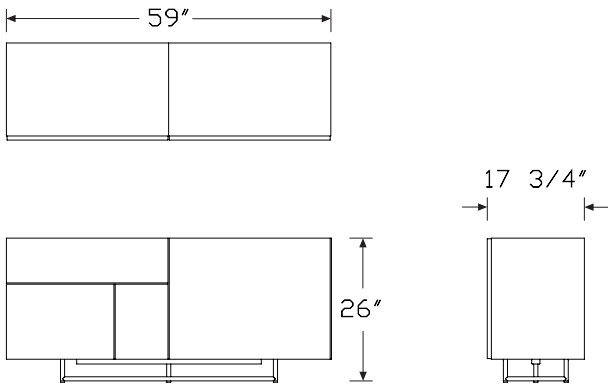
Locks are not available.

Shelves match interior finish.

Wood components in credenzas 2 and 3 units wide ship assembled.

Bases ship separately and must be field installed.

Dimensions



Specification Information

Step 1.

IWCM2C-185926 [A] \$15074

Step 2. Wood Finish

Matte Finishes

DAE	ebony exterior, ash interior	[A]	+\$0
DAR	santos palisander exterior, ash interior	[A]	+\$0
DAW	walnut exterior, ash interior	[A]	+\$0

Step 3. Base Finish

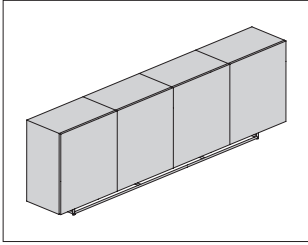
CHR	chrome	[A]	+\$0
SAC	satin chrome	[A]	+\$0

Step 4. Pull Finish

CHR	chrome	[A]	+\$0
SAC	satin chrome	[A]	+\$0

Domino Sideboard

IWSS4



HermanMiller Ancillary-Storage

Product Information

Description

This sideboard provides shelf storage, is 4 units wide, and comes with contrasting exterior and interior veneer. Standard interior veneer is ash, and exterior veneer is available in santos palisander, walnut, and ebony. Credenza back exterior is finished. Bases and pulls are metal with chrome or satin chrome finish. Hinged door units 40" high include 2 adjustable shelves that are each 3/4" thick.

Notes

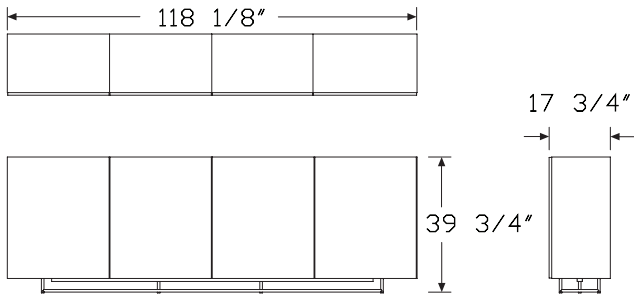
Locks are not available.

Shelves match interior finish.

Wood components in 4-unit-wide credenzas ship as 2 assembled units.

Bases ship separately and must be field installed.

Dimensions



Specification Information

Step 1.

IWSS4C-1811840 [A] \$16991

Step 2. Wood Finish

Matte Finishes

DAE	ebony exterior, ash interior [A]	+\$0
DAR	santos palisander exterior, ash interior [A]	+\$0
DAW	walnut exterior, ash interior [A]	+\$0

Step 3. Base Finish

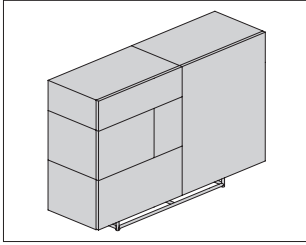
CHR	chrome [A]	+\$0
SAC	satin chrome [A]	+\$0

Step 4. Pull Finish

CHR	chrome [A]	+\$0
SAC	satin chrome [A]	+\$0

Domino Sideboard

IWSM2



Product Information

Description

This sideboard provides mixed storage, is 2 units wide, and comes with contrasting exterior and interior veneer. Standard interior veneer is ash, and exterior veneer is available in santos palisander, walnut, and ebony. Credenza back exterior is finished. Drawer boxes are quarter cut natural ash, and waste bin is a removable quarter cut natural ash box. Drawer boxes and waste bin have a hand-rubbed tung oil finish. Bases and pulls are metal with chrome or satin chrome finish. File drawers include stainless steel rods for hanging folders. Hinged door units 40" high include 2 adjustable shelves that are each 3/4" thick.

Notes

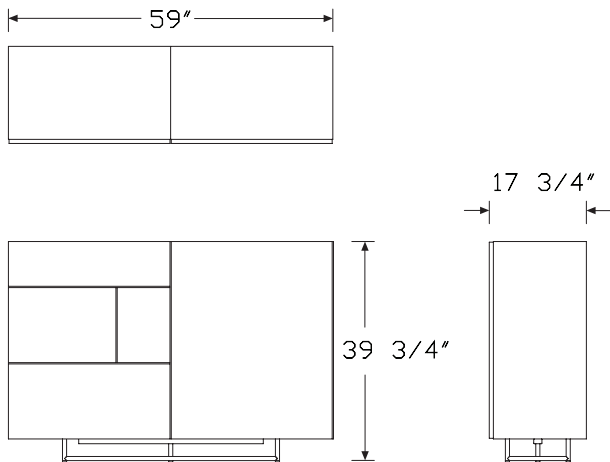
Locks are not available.

Shelves match interior finish.

Wood components in credenzas 2 and 3 units wide ship assembled.

Bases ship separately and must be field installed.

Dimensions



Specification Information

Step 1.

IWSM2C-185940 [A] \$19562

Step 2. Wood Finish

Matte Finishes

DAE	ebony exterior, ash interior	[A]	+\$0
DAR	santos palisander exterior, ash interior	[A]	+\$0
DAW	walnut exterior, ash interior	[A]	+\$0

Step 3. Base Finish

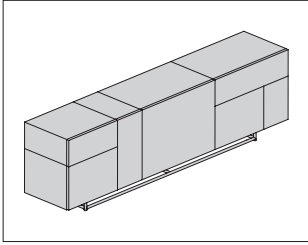
CHR	chrome	[A]	+\$0
SAC	satin chrome	[A]	+\$0

Step 4. Pull Finish

CHR	chrome	[A]	+\$0
SAC	satin chrome	[A]	+\$0

Domino Credenza

IWCM3



HermanMiller Ancillary-Storage

Product Information

Description

This credenza provides mixed storage, is 3 units wide, and comes with contrasting exterior and interior veneer. Standard interior veneer is ash, and exterior veneer is available in santos palisander, walnut, and ebony. Credenza back exterior is finished. Drawer boxes are quarter cut natural ash, and waste bin is a removable quarter cut natural ash box. Drawer boxes and waste bin have a hand-rubbed tung oil finish. Bases and pulls are metal with chrome or satin chrome finish. File drawers include stainless steel rods for hanging folders. Hinged door units 26" high include 1 adjustable shelf that is 3/4" thick.

Notes

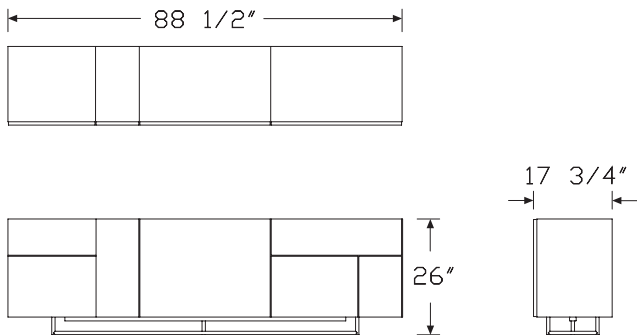
Locks are not available.

Shelves match interior finish.

Wood components in credenzas 2 and 3 units wide ship assembled.

Bases ship separately and must be field installed.

Dimensions



Specification Information

Step 1.

IWCM3C-188926 A \$26197

Step 2. Wood Finish

Matte Finishes

DAE	ebony exterior, ash interior	A	+\$0
DAR	santos palisander exterior, ash interior	A	+\$0
DAW	walnut exterior, ash interior	A	+\$0

Step 3. Base Finish

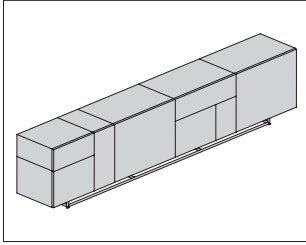
CHR	chrome	A	+\$0
SAC	satin chrome	A	+\$0

Step 4. Pull Finish

CHR	chrome	A	+\$0
SAC	satin chrome	A	+\$0

Domino Credenza

IWCM4



Product Information

Description

This credenza provides mixed storage, is 4 units wide, and comes with contrasting exterior and interior veneer. Standard interior veneer is ash, and exterior veneer is available in santos palisander, walnut, and ebony. Credenza back exterior is finished. Drawer boxes are quarter cut natural ash, and waste bin is a removable quarter cut natural ash box. Drawer boxes and waste bin have a hand-rubbed tung oil finish. Bases and pulls are metal with chrome or satin chrome finish. File drawers include stainless steel rods for hanging folders. Hinged door units 26" high include 1 adjustable shelf that is 3/4" thick.

Notes

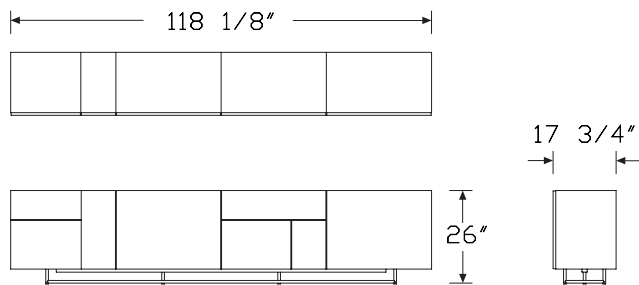
Locks are not available.

Shelves match interior finish.

Wood components in 4-unit-wide credenzas ship as 2 assembled units.

Bases ship separately and must be field installed.

Dimensions



Specification Information

Step 1.

IWCM4C-1811826 A \$29691

Step 2. Wood Finish

Matte Finishes

DAE	ebony exterior, ash interior	A	+\$0
DAR	santos palisander exterior, ash interior	A	+\$0
DAW	walnut exterior, ash interior	A	+\$0

Step 3. Base Finish

CHR	chrome	A	+\$0
SAC	satin chrome	A	+\$0

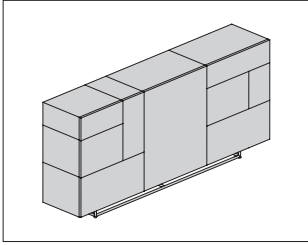
Step 4. Pull Finish

CHR	chrome	A	+\$0
SAC	satin chrome	A	+\$0

Domino Sideboard

IWSM3

HermanMiller Ancillary-Storage



Product Information

Description

This sideboard provides mixed storage, is 3 units wide, and comes with contrasting exterior and interior veneer. Standard interior veneer is ash, and exterior veneer is available in santos palisander, walnut, and ebony. Credenza back exterior is finished. Drawer boxes are quarter cut natural ash, and waste bin is a removable quarter cut natural ash box. Drawer boxes and waste bin have a hand-rubbed tung oil finish. Bases and pulls are metal with chrome or satin chrome finish. File drawers include stainless steel rods for hanging folders. Hinged door units 40" high include 2 adjustable shelves that are each 3/4" thick.

Notes

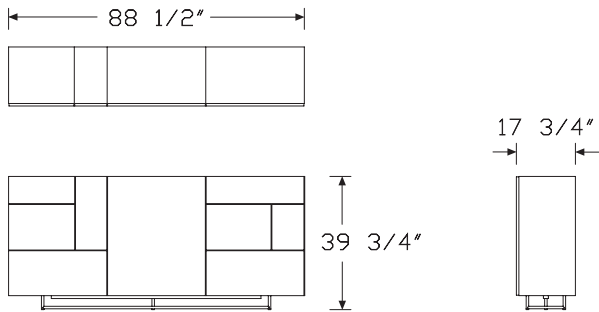
Locks are not available.

Shelves match interior finish.

Wood components in credenzas 2 and 3 units wide ship assembled.

Bases ship separately and must be field installed.

Dimensions



Specification Information

Step 1.

IWSM3C-188940 A \$34420

Step 2. Wood Finish

Matte Finishes

DAE	ebony exterior, ash interior	A	+\$0
DAR	santos palisander exterior, ash interior	A	+\$0
DAW	walnut exterior, ash interior	A	+\$0

Step 3. Base Finish

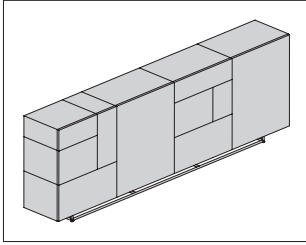
CHR	chrome	A	+\$0
SAC	satin chrome	A	+\$0

Step 4. Pull Finish

CHR	chrome	A	+\$0
SAC	satin chrome	A	+\$0

Domino Sideboard

IWSM4



Product Information

Description

This sideboard provides mixed storage, is 4 units wide, and comes with contrasting exterior and interior veneer. Standard interior veneer is ash, and exterior veneer is available in santos palisander, walnut, and ebony. Credenza back exterior is finished. Drawer boxes are quarter cut natural ash, and waste bin is a removable quarter cut natural ash box. Drawer boxes and waste bin have a hand-rubbed tung oil finish. Bases and pulls are metal with chrome or satin chrome finish. File drawers include stainless steel rods for hanging folders. Hinged door units 40" high include 2 adjustable shelves that are each 3/4" thick.

Notes

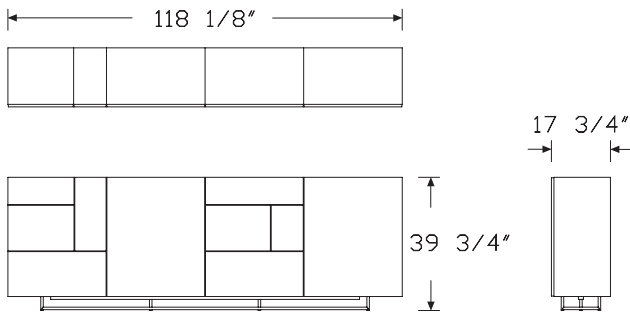
Locks are not available.

Shelves match interior finish.

Wood components in 4-unit-wide credenzas ship as 2 assembled units.

Bases ship separately and must be field installed.

Dimensions



Specification Information

Step 1.

IWSM4C-1811840 [A] \$38629

Step 2. Wood Finish

Matte Finishes

DAE	ebony exterior, ash interior	[A]	+\$0
DAR	santos palisander exterior, ash interior	[A]	+\$0
DAW	walnut exterior, ash interior	[A]	+\$0

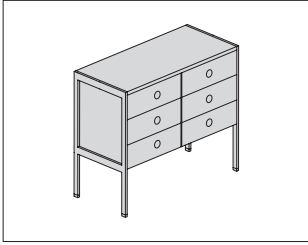
Step 3. Base Finish

CHR	chrome	[A]	+\$0
SAC	satin chrome	[A]	+\$0

Step 4. Pull Finish

CHR	chrome	[A]	+\$0
SAC	satin chrome	[A]	+\$0

H-Frame Credenza One Unit Wide JCH1-



HermanMiller Ancillary-Storage

Product Information

Description

This one-unit wide H-frame credenza has a wooden top and includes 1/2"-thick metal frame gables on the ends. H-frame credenzas are modular and shipped partially assembled.

Notes

All hardware for assembly is included.

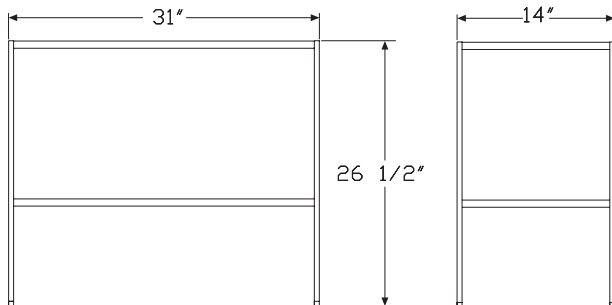
Drawer credenzas include wood boxes and self-closing hidden drawer slides.

CG six box drawer credenza includes pencil trays and felt lining in bottom of top two drawers.

When applicable, Ward Bennett Flip pulls come in matching metal finish.

Santos palisander veneer is celebrated for its unique grain and color variations. Similar products ordered in multiples or dissimilar products ordered separately should be expected to have variation in both grain and color characteristics; no two products will look exactly alike.

Dimensions



Specification Information

Step 1.

JCH1

Step 2. Size

-1431 14" deep x 31" wide x 26 1/2" high

Step 3. Configuration

-C1 open shelf

-C2 two doors

-CF two 15" file drawers

-CG six box drawers (top two pencil trays)

-CH one file drawer

-CK three box drawers

Prices for Steps 1-3.

JCH1-1431 -C1	\$4209
-C2	\$6034
-CF	\$6411
-CG	\$8873
-CH	\$6260
-CK	\$7482

Step 4. Wood Finish

Premium Veneer - Low Sheen

For open shelf (-C1)

921 champagne beech (natural) <input type="checkbox"/>	+\$0
931 champagne anigre (natural) <input type="checkbox"/>	+\$1070
932 sundance anigre <input type="checkbox"/>	+\$1070
933 caramel anigre <input type="checkbox"/>	+\$1070
934 henna anigre <input type="checkbox"/>	+\$1070
941 natural beech <input type="checkbox"/>	+\$0
942 sundance cherry (natural) <input type="checkbox"/>	+\$0
943 caramel cherry <input type="checkbox"/>	+\$0
944 henna cherry <input type="checkbox"/>	+\$0
945 port cherry <input type="checkbox"/>	+\$0
946 cocoa cherry <input type="checkbox"/>	+\$0
951 natural anigre <input type="checkbox"/>	+\$1070
954 henna sapele <input type="checkbox"/>	+\$0
955 port sapele <input type="checkbox"/>	+\$0
956 cocoa sapele <input type="checkbox"/>	+\$0
957 espresso sapele <input type="checkbox"/>	+\$0
962 toasted walnut, low sheen <input type="checkbox"/>	+\$0
963 charred walnut, low sheen <input type="checkbox"/>	+\$0
964 bronzed walnut, low sheen <input type="checkbox"/>	+\$0
965 smoked walnut, low sheen <input type="checkbox"/>	+\$0

H-Frame Credenza One Unit Wide

continued

966	coffee walnut, low sheen <input type="checkbox"/>	+\$0
967	smoked paldao, low sheen <input type="checkbox"/>	+\$401
969	warm paldao, low sheen <input type="checkbox"/>	+\$401
973	caramel walnut <input type="checkbox"/>	+\$0
974	henna walnut <input type="checkbox"/>	+\$0
975	port walnut <input type="checkbox"/>	+\$0
976	cocoa walnut <input type="checkbox"/>	+\$0
977	chocolate ash, low sheen <input type="checkbox"/>	+\$0
978	natural oak <input type="checkbox"/>	+\$0
981	champagne hickory (natural) <input type="checkbox"/>	+\$0
98R	recograin rosewood <input type="checkbox"/>	+\$0
991	champagne ash <input type="checkbox"/>	+\$0
998	ebony ash <input type="checkbox"/>	+\$0
99A	recograin frosty ash <input type="checkbox"/>	+\$0
99R	recograin rosewood <input type="checkbox"/>	+\$0
99T	recograin teak <input type="checkbox"/>	+\$0
9A1	white ash, quarter cut, low sheen <input type="checkbox"/>	+\$0
9K1	rift oak, rift cut, low sheen <input type="checkbox"/>	+\$0
9K6	burnt oak, rift cut, low sheen <input type="checkbox"/>	+\$0
G2U	light brown walnut, low sheen <input type="checkbox"/>	+\$0
G40	dark brown walnut, low sheen <input type="checkbox"/>	+\$0

Premium Veneer - Matte

For open shelf (-C1)

662	toasted walnut, matte sheen <input type="checkbox"/>	+\$0
663	charred walnut, matte sheen <input type="checkbox"/>	+\$0
664	bronzed walnut, matte sheen <input type="checkbox"/>	+\$0
665	smoked walnut, matte sheen <input type="checkbox"/>	+\$0
666	coffee walnut, matte sheen <input type="checkbox"/>	+\$0
667	smoked paldao, quarter cut, matte sheen <input type="checkbox"/>	+\$401
669	warm paldao, quarter cut, matte sheen <input type="checkbox"/>	+\$401
66A	recograin frosty ash <input type="checkbox"/>	+\$0
677	chocolate ash, matte sheen <input type="checkbox"/>	+\$0
678	natural oak <input type="checkbox"/>	+\$0
68R	recograin rosewood <input type="checkbox"/>	+\$0
69A	recograin frosty ash <input type="checkbox"/>	+\$0
69R	recograin rosewood <input type="checkbox"/>	+\$0
69T	recograin teak <input type="checkbox"/>	+\$0
6A1	white ash <input type="checkbox"/>	+\$0
6A2	platinum ash <input type="checkbox"/>	+\$0
6K1	rift oak <input type="checkbox"/>	+\$0
6K6	burnt oak <input type="checkbox"/>	+\$0
ET	clear on ash <input type="checkbox"/>	+\$0
EU	oak on ash <input type="checkbox"/>	+\$0
EV	walnut on ash <input type="checkbox"/>	+\$0
GOU	natural walnut, flat cut, matte sheen <input type="checkbox"/>	+\$0

RecoGrain Veneer

For open shelf (-C1)

68W	recograin walnut, flat cut, matte sheen <input type="checkbox"/>	-\$134
69K	recograin oak, quarter cut, matte sheen <input type="checkbox"/>	-\$134
69W	recograin walnut, quarter cut, matte sheen <input type="checkbox"/>	-\$134

Recon Veneer -

For open shelf (-C1)

98W	recograin walnut, flat cut, low sheen <input type="checkbox"/>	-\$134
99K	recograin oak, quarter cut, low sheen <input type="checkbox"/>	-\$134
99W	recograin walnut, quarter cut, low sheen <input type="checkbox"/>	-\$134

Premium Veneer - Low Sheen

For two doors (-C2)

931	champagne anigre (natural) <input type="checkbox"/>	+\$1534
932	sundance anigre <input type="checkbox"/>	+\$1534
933	caramel anigre <input type="checkbox"/>	+\$1534
934	henna anigre <input type="checkbox"/>	+\$1534
941	natural beech <input type="checkbox"/>	+\$0
942	sundance cherry (natural) <input type="checkbox"/>	+\$0
943	caramel cherry <input type="checkbox"/>	+\$0
946	cocoa cherry <input type="checkbox"/>	+\$0
951	natural anigre <input type="checkbox"/>	+\$1534
956	cocoa sapele <input type="checkbox"/>	+\$0
962	toasted walnut, low sheen <input type="checkbox"/>	+\$0
963	charred walnut, low sheen <input type="checkbox"/>	+\$0
964	bronzed walnut, low sheen <input type="checkbox"/>	+\$0
965	smoked walnut, low sheen <input type="checkbox"/>	+\$0
966	coffee walnut, low sheen <input type="checkbox"/>	+\$0
967	smoked paldao, low sheen <input type="checkbox"/>	+\$575
969	warm paldao, low sheen <input type="checkbox"/>	+\$575
977	chocolate ash, low sheen <input type="checkbox"/>	+\$0
978	natural oak <input type="checkbox"/>	+\$0
981	champagne hickory (natural) <input type="checkbox"/>	+\$0
98R	recograin rosewood <input type="checkbox"/>	+\$0
991	champagne ash <input type="checkbox"/>	+\$0
998	ebony ash <input type="checkbox"/>	+\$0
99A	recograin frosty ash <input type="checkbox"/>	+\$0
99R	recograin rosewood <input type="checkbox"/>	+\$0
99T	recograin teak <input type="checkbox"/>	+\$0
9A1	white ash, quarter cut, low sheen <input type="checkbox"/>	+\$0
9K1	rift oak, rift cut, low sheen <input type="checkbox"/>	+\$0
9K6	burnt oak, rift cut, low sheen <input type="checkbox"/>	+\$0
G2U	light brown walnut, low sheen <input type="checkbox"/>	+\$0
G40	dark brown walnut, low sheen <input type="checkbox"/>	+\$0

H-Frame Credenza One Unit Wide

continued

HermanMiller Ancillary-Storage

Premium Veneer - Matte		
<i>For two doors (-C2)</i>		
662	toasted walnut, matte sheen <input type="checkbox"/>	+\$0
663	charred walnut, matte sheen <input type="checkbox"/>	+\$0
664	bronzed walnut, matte sheen <input type="checkbox"/>	+\$0
665	smoked walnut, matte sheen <input type="checkbox"/>	+\$0
666	coffee walnut, matte sheen <input type="checkbox"/>	+\$0
66A	recograin frosty ash <input type="checkbox"/>	+\$0
677	chocolate ash, matte sheen <input type="checkbox"/>	+\$0
678	natural oak <input type="checkbox"/>	+\$0
68R	recograin rosewood <input type="checkbox"/>	+\$0
69A	recograin frosty ash <input type="checkbox"/>	+\$0
69R	recograin rosewood <input type="checkbox"/>	+\$0
69T	recograin teak <input type="checkbox"/>	+\$0
6A1	white ash <input type="checkbox"/>	+\$0
6K1	rift oak <input type="checkbox"/>	+\$0
6K6	burnt oak <input type="checkbox"/>	+\$0
ET	clear on ash <input type="checkbox"/>	+\$0
EU	oak on ash <input type="checkbox"/>	+\$0
EV	walnut on ash <input type="checkbox"/>	+\$0
GOU	natural walnut, flat cut, matte sheen <input type="checkbox"/>	+\$0

RecoGrain Veneer		
<i>For two doors (-C2)</i>		
68W	recograin walnut, flat cut, matte sheen <input type="checkbox"/>	-\$192
69K	recograin oak, quarter cut, matte sheen <input type="checkbox"/>	-\$192
69W	recograin walnut, quarter cut, matte sheen <input type="checkbox"/>	-\$192

Recon Veneer -		
<i>For two doors (-C2)</i>		
98W	recograin walnut, flat cut, low sheen <input type="checkbox"/>	-\$192
99K	recograin oak, quarter cut, low sheen <input type="checkbox"/>	-\$192
99W	recograin walnut, quarter cut, low sheen <input type="checkbox"/>	-\$192

Premium Veneer - Low Sheen		
<i>For two 15" file drawers (-CF)</i>		
931	champagne anigre (natural) <input type="checkbox"/>	+\$1629
932	sundance anigre <input type="checkbox"/>	+\$1629
933	caramel anigre <input type="checkbox"/>	+\$1629
934	henna anigre <input type="checkbox"/>	+\$1629
941	natural beech <input type="checkbox"/>	+\$0
942	sundance cherry (natural) <input type="checkbox"/>	+\$0
943	caramel cherry <input type="checkbox"/>	+\$0
946	cocoa cherry <input type="checkbox"/>	+\$0
951	natural anigre <input type="checkbox"/>	+\$1629
956	cocoa sapele <input type="checkbox"/>	+\$0
962	toasted walnut, low sheen <input type="checkbox"/>	+\$0
963	charred walnut, low sheen <input type="checkbox"/>	+\$0
964	bronzed walnut, low sheen <input type="checkbox"/>	+\$0
965	smoked walnut, low sheen <input type="checkbox"/>	+\$0
966	coffee walnut, low sheen <input type="checkbox"/>	+\$0
967	smoked paldao, low sheen <input type="checkbox"/>	+\$611
969	warm paldao, low sheen <input type="checkbox"/>	+\$611
977	chocolate ash, low sheen <input type="checkbox"/>	+\$0
978	natural oak <input type="checkbox"/>	+\$0
981	champagne hickory (natural) <input type="checkbox"/>	+\$0
98R	recograin rosewood <input type="checkbox"/>	+\$0
991	champagne ash <input type="checkbox"/>	+\$0
998	ebony ash <input type="checkbox"/>	+\$0
99A	recograin frosty ash <input type="checkbox"/>	+\$0
99R	recograin rosewood <input type="checkbox"/>	+\$0
99T	recograin teak <input type="checkbox"/>	+\$0
9A1	white ash, quarter cut, low sheen <input type="checkbox"/>	+\$0
9K1	rift oak, rift cut, low sheen <input type="checkbox"/>	+\$0
9K6	burnt oak, rift cut, low sheen <input type="checkbox"/>	+\$0
G2U	light brown walnut, low sheen <input type="checkbox"/>	+\$0
G40	dark brown walnut, low sheen <input type="checkbox"/>	+\$0

H-Frame Credenza One Unit Wide

continued

Premium Veneer - Matte

For two 15" file drawers (-CF)

662	toasted walnut, matte sheen <input type="checkbox"/>	+\$0
663	charred walnut, matte sheen <input type="checkbox"/>	+\$0
664	bronzed walnut, matte sheen <input type="checkbox"/>	+\$0
665	smoked walnut, matte sheen <input type="checkbox"/>	+\$0
666	coffee walnut, matte sheen <input type="checkbox"/>	+\$0
667	smoked paldao, quarter cut, matte sheen <input type="checkbox"/>	+\$611
669	warm paldao, quarter cut, matte sheen <input type="checkbox"/>	+\$611
66A	recograin frosty ash <input type="checkbox"/>	+\$0
677	chocolate ash, matte sheen <input type="checkbox"/>	+\$0
678	natural oak <input type="checkbox"/>	+\$0
68R	recograin rosewood <input type="checkbox"/>	+\$0
69A	recograin frosty ash <input type="checkbox"/>	+\$0
69R	recograin rosewood <input type="checkbox"/>	+\$0
69T	recograin teak <input type="checkbox"/>	+\$0
6A1	white ash <input type="checkbox"/>	+\$0
6K1	rift oak <input type="checkbox"/>	+\$0
6K6	burnt oak <input type="checkbox"/>	+\$0
ET	clear on ash <input type="checkbox"/>	+\$0
EU	oak on ash <input type="checkbox"/>	+\$0
EV	walnut on ash <input type="checkbox"/>	+\$0
GOU	natural walnut, flat cut, matte sheen <input type="checkbox"/>	+\$0

RecoGrain Veneer

For two 15" file drawers (-CF)

68W	recograin walnut, flat cut, matte sheen <input type="checkbox"/>	-\$204
69K	recograin oak, quarter cut, matte sheen <input type="checkbox"/>	-\$204
69W	recograin walnut, quarter cut, matte sheen <input type="checkbox"/>	-\$204

Recon Veneer -

For two 15" file drawers (-CF)

98W	recograin walnut, flat cut, low sheen <input type="checkbox"/>	-\$204
99K	recograin oak, quarter cut, low sheen <input type="checkbox"/>	-\$204
99W	recograin walnut, quarter cut, low sheen <input type="checkbox"/>	-\$204

Premium Veneer - Low Sheen

For six box drawers (top two pencil trays) (-CG)

931	champagne anigre (natural) <input type="checkbox"/>	+\$2255
932	sundance anigre <input type="checkbox"/>	+\$2255
933	caramel anigre <input type="checkbox"/>	+\$2255
934	henna anigre <input type="checkbox"/>	+\$2255
941	natural beech <input type="checkbox"/>	+\$0
942	sundance cherry (natural) <input type="checkbox"/>	+\$0
943	caramel cherry <input type="checkbox"/>	+\$0
946	cocoa cherry <input type="checkbox"/>	+\$0
951	natural anigre <input type="checkbox"/>	+\$2255
956	cocoa sapele <input type="checkbox"/>	+\$0
962	toasted walnut, low sheen <input type="checkbox"/>	+\$0
963	charred walnut, low sheen <input type="checkbox"/>	+\$0
964	bronzed walnut, low sheen <input type="checkbox"/>	+\$0
965	smoked walnut, low sheen <input type="checkbox"/>	+\$0
966	coffee walnut, low sheen <input type="checkbox"/>	+\$0
967	smoked paldao, low sheen <input type="checkbox"/>	+\$846
969	warm paldao, low sheen <input type="checkbox"/>	+\$846
977	chocolate ash, low sheen <input type="checkbox"/>	+\$0
978	natural oak <input type="checkbox"/>	+\$0
981	champagne hickory (natural) <input type="checkbox"/>	+\$0
98R	recograin rosewood <input type="checkbox"/>	+\$0
991	champagne ash <input type="checkbox"/>	+\$0
998	ebony ash <input type="checkbox"/>	+\$0
99A	recograin frosty ash <input type="checkbox"/>	+\$0
99R	recograin rosewood <input type="checkbox"/>	+\$0
99T	recograin teak <input type="checkbox"/>	+\$0
9A1	white ash, quarter cut, low sheen <input type="checkbox"/>	+\$0
9K1	rift oak, rift cut, low sheen <input type="checkbox"/>	+\$0
9K6	burnt oak, rift cut, low sheen <input type="checkbox"/>	+\$0
G2U	light brown walnut, low sheen <input type="checkbox"/>	+\$0
G40	dark brown walnut, low sheen <input type="checkbox"/>	+\$0

HermanMiller Ancillary-Storage

H-Frame Credenza One Unit Wide

continued

HermanMiller Ancillary-Storage

Premium Veneer - Matte		
<i>For six box drawers (top two pencil trays) (-CG)</i>		
662	toasted walnut, matte sheen <input type="checkbox"/>	+\$0
663	charred walnut, matte sheen <input type="checkbox"/>	+\$0
664	bronzed walnut, matte sheen <input type="checkbox"/>	+\$0
665	smoked walnut, matte sheen <input type="checkbox"/>	+\$0
666	coffee walnut, matte sheen <input type="checkbox"/>	+\$0
667	smoked paldao, quarter cut, matte sheen <input type="checkbox"/>	+\$846
669	warm paldao, quarter cut, matte sheen <input type="checkbox"/>	+\$846
66A	recograin frosty ash <input type="checkbox"/>	+\$0
677	chocolate ash, matte sheen <input type="checkbox"/>	+\$0
678	natural oak <input type="checkbox"/>	+\$0
68R	recograin rosewood <input type="checkbox"/>	+\$0
69A	recograin frosty ash <input type="checkbox"/>	+\$0
69R	recograin rosewood <input type="checkbox"/>	+\$0
69T	recograin teak <input type="checkbox"/>	+\$0
6A1	white ash <input type="checkbox"/>	+\$0
6K1	rift oak <input type="checkbox"/>	+\$0
6K6	burnt oak <input type="checkbox"/>	+\$0
ET	clear on ash <input type="checkbox"/>	+\$0
EU	oak on ash <input type="checkbox"/>	+\$0
EV	walnut on ash <input type="checkbox"/>	+\$0
GOU	natural walnut, flat cut, matte sheen <input type="checkbox"/>	+\$0

RecoGrain Veneer		
<i>For six box drawers (top two pencil trays) (-CG)</i>		
68W	recograin walnut, flat cut, matte sheen <input type="checkbox"/>	-\$282
69K	recograin oak, quarter cut, matte sheen <input type="checkbox"/>	-\$282
69W	recograin walnut, quarter cut, matte sheen <input type="checkbox"/>	-\$282

Recon Veneer -		
<i>For six box drawers (top two pencil trays) (-CG)</i>		
98W	recograin walnut, flat cut, low sheen <input type="checkbox"/>	-\$282
99K	recograin oak, quarter cut, low sheen <input type="checkbox"/>	-\$282
99W	recograin walnut, quarter cut, low sheen <input type="checkbox"/>	-\$282

Premium Veneer - Low Sheen		
<i>For one file drawer (-CH)</i>		
931	champagne anigre (natural) <input type="checkbox"/>	+\$1592
932	sundance anigre <input type="checkbox"/>	+\$1592
933	caramel anigre <input type="checkbox"/>	+\$1592
934	henna anigre <input type="checkbox"/>	+\$1592
941	natural beech <input type="checkbox"/>	+\$0
942	sundance cherry (natural) <input type="checkbox"/>	+\$0
943	caramel cherry <input type="checkbox"/>	+\$0
946	cocoa cherry <input type="checkbox"/>	+\$0
951	natural anigre <input type="checkbox"/>	+\$1592
956	cocoa sapele <input type="checkbox"/>	+\$0
962	toasted walnut, low sheen <input type="checkbox"/>	+\$0
963	charred walnut, low sheen <input type="checkbox"/>	+\$0
964	bronzed walnut, low sheen <input type="checkbox"/>	+\$0
965	smoked walnut, low sheen <input type="checkbox"/>	+\$0
966	coffee walnut, low sheen <input type="checkbox"/>	+\$0
967	smoked paldao, low sheen <input type="checkbox"/>	+\$597
969	warm paldao, low sheen <input type="checkbox"/>	+\$597
977	chocolate ash, low sheen <input type="checkbox"/>	+\$0
978	natural oak <input type="checkbox"/>	+\$0
981	champagne hickory (natural) <input type="checkbox"/>	+\$0
98R	recograin rosewood <input type="checkbox"/>	+\$0
991	champagne ash <input type="checkbox"/>	+\$0
998	ebony ash <input type="checkbox"/>	+\$0
99A	recograin frosty ash <input type="checkbox"/>	+\$0
99R	recograin rosewood <input type="checkbox"/>	+\$0
99T	recograin teak <input type="checkbox"/>	+\$0
9A1	white ash, quarter cut, low sheen <input type="checkbox"/>	+\$0
9K1	rift oak, rift cut, low sheen <input type="checkbox"/>	+\$0
9K6	burnt oak, rift cut, low sheen <input type="checkbox"/>	+\$0
G2U	light brown walnut, low sheen <input type="checkbox"/>	+\$0
G40	dark brown walnut, low sheen <input type="checkbox"/>	+\$0

H-Frame Credenza One Unit Wide

continued

Premium Veneer - Matte

For one file drawer (-CH)

662	toasted walnut, matte sheen <input type="checkbox"/>	+\$0
663	charred walnut, matte sheen <input type="checkbox"/>	+\$0
664	bronzed walnut, matte sheen <input type="checkbox"/>	+\$0
665	smoked walnut, matte sheen <input type="checkbox"/>	+\$0
666	coffee walnut, matte sheen <input type="checkbox"/>	+\$0
667	smoked paldao, quarter cut, matte sheen <input type="checkbox"/>	+\$597
669	warm paldao, quarter cut, matte sheen <input type="checkbox"/>	+\$597
66A	recograin frosty ash <input type="checkbox"/>	+\$0
677	chocolate ash, matte sheen <input type="checkbox"/>	+\$0
678	natural oak <input type="checkbox"/>	+\$0
68R	recograin rosewood <input type="checkbox"/>	+\$0
69A	recograin frosty ash <input type="checkbox"/>	+\$0
69R	recograin rosewood <input type="checkbox"/>	+\$0
69T	recograin teak <input type="checkbox"/>	+\$0
6A1	white ash <input type="checkbox"/>	+\$0
6K1	rift oak <input type="checkbox"/>	+\$0
6K6	burnt oak <input type="checkbox"/>	+\$0
ET	clear on ash <input type="checkbox"/>	+\$0
EU	oak on ash <input type="checkbox"/>	+\$0
EV	walnut on ash <input type="checkbox"/>	+\$0
GOU	natural walnut, flat cut, matte sheen <input type="checkbox"/>	+\$0

RecoGrain Veneer

For one file drawer (-CH)

68W	recograin walnut, flat cut, matte sheen <input type="checkbox"/>	-\$199
69K	recograin oak, quarter cut, matte sheen <input type="checkbox"/>	-\$199
69W	recograin walnut, quarter cut, matte sheen <input type="checkbox"/>	-\$199

Recon Veneer -

For one file drawer (-CH)

98W	recograin walnut, flat cut, low sheen <input type="checkbox"/>	-\$199
99K	recograin oak, quarter cut, low sheen <input type="checkbox"/>	-\$199
99W	recograin walnut, quarter cut, low sheen <input type="checkbox"/>	-\$199

Premium Veneer - Low Sheen

For three box drawers (-CK)

931	champagne anigre (natural) <input type="checkbox"/>	+\$1902
932	sundance anigre <input type="checkbox"/>	+\$1902
933	caramel anigre <input type="checkbox"/>	+\$1902
934	henna anigre <input type="checkbox"/>	+\$1902
941	natural beech <input type="checkbox"/>	+\$0
942	sundance cherry (natural) <input type="checkbox"/>	+\$0
943	caramel cherry <input type="checkbox"/>	+\$0
946	cocoa cherry <input type="checkbox"/>	+\$0
951	natural anigre <input type="checkbox"/>	+\$1902
956	cocoa sapele <input type="checkbox"/>	+\$0
962	toasted walnut, low sheen <input type="checkbox"/>	+\$0
963	charred walnut, low sheen <input type="checkbox"/>	+\$0
964	bronzed walnut, low sheen <input type="checkbox"/>	+\$0
965	smoked walnut, low sheen <input type="checkbox"/>	+\$0
966	coffee walnut, low sheen <input type="checkbox"/>	+\$0
967	smoked paldao, low sheen <input type="checkbox"/>	+\$713
969	warm paldao, low sheen <input type="checkbox"/>	+\$713
977	chocolate ash, low sheen <input type="checkbox"/>	+\$0
978	natural oak <input type="checkbox"/>	+\$0
981	champagne hickory (natural) <input type="checkbox"/>	+\$0
98R	recograin rosewood <input type="checkbox"/>	+\$0
991	champagne ash <input type="checkbox"/>	+\$0
998	ebony ash <input type="checkbox"/>	+\$0
99A	recograin frosty ash <input type="checkbox"/>	+\$0
99R	recograin rosewood <input type="checkbox"/>	+\$0
99T	recograin teak <input type="checkbox"/>	+\$0
9A1	white ash, quarter cut, low sheen <input type="checkbox"/>	+\$0
9K1	rift oak, rift cut, low sheen <input type="checkbox"/>	+\$0
9K6	burnt oak, rift cut, low sheen <input type="checkbox"/>	+\$0
G2U	light brown walnut, low sheen <input type="checkbox"/>	+\$0
G40	dark brown walnut, low sheen <input type="checkbox"/>	+\$0

HermanMiller Ancillary-Storage

H-Frame Credenza One Unit Wide

continued

HermanMiller Ancillary-Storage

Premium Veneer - Matte

For three box drawers (-CK)

662	toasted walnut, matte sheen <input type="checkbox"/>	+\$0
663	charred walnut, matte sheen <input type="checkbox"/>	+\$0
664	bronzed walnut, matte sheen <input type="checkbox"/>	+\$0
665	smoked walnut, matte sheen <input type="checkbox"/>	+\$0
666	coffee walnut, matte sheen <input type="checkbox"/>	+\$0
667	smoked paldao, quarter cut, matte sheen <input type="checkbox"/>	+\$713
669	warm paldao, quarter cut, matte sheen <input type="checkbox"/>	+\$713
66A	recograin frosty ash <input type="checkbox"/>	+\$0
677	chocolate ash, matte sheen <input type="checkbox"/>	+\$0
678	natural oak <input type="checkbox"/>	+\$0
68R	recograin rosewood <input type="checkbox"/>	+\$0
69A	recograin frosty ash <input type="checkbox"/>	+\$0
69R	recograin rosewood <input type="checkbox"/>	+\$0
69T	recograin teak <input type="checkbox"/>	+\$0
6A1	white ash <input type="checkbox"/>	+\$0
6K1	rift oak <input type="checkbox"/>	+\$0
6K6	burnt oak <input type="checkbox"/>	+\$0
ET	clear on ash <input type="checkbox"/>	+\$0
EU	oak on ash <input type="checkbox"/>	+\$0
EV	walnut on ash <input type="checkbox"/>	+\$0
GOU	natural walnut, flat cut, matte sheen <input type="checkbox"/>	+\$0

RecoGrain Veneer

For three box drawers (-CK)

68W	recograin walnut, flat cut, matte sheen <input type="checkbox"/>	-\$238
69K	recograin oak, quarter cut, matte sheen <input type="checkbox"/>	-\$238
69W	recograin walnut, quarter cut, matte sheen <input type="checkbox"/>	-\$238

Recon Veneer -

For three box drawers (-CK)

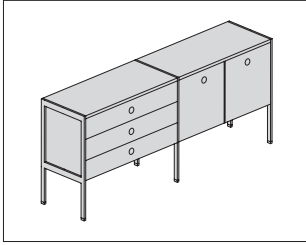
98W	recograin walnut, flat cut, low sheen <input type="checkbox"/>	-\$238
99K	recograin oak, quarter cut, low sheen <input type="checkbox"/>	-\$238
99W	recograin walnut, quarter cut, low sheen <input type="checkbox"/>	-\$238

Step 5. Metal Finish

CHR	chrome <input type="checkbox"/>	+\$0
SAC	satin chrome <input type="checkbox"/>	+\$0

H-Frame Credenza Two Units Wide

JCH2-



Product Information

Description

This two-unit wide H-frame credenza has a wooden top and includes 1/2"-thick metal frame gables on the ends. H-frame credenzas are modular and shipped partially assembled.

Notes

All hardware for assembly is included.

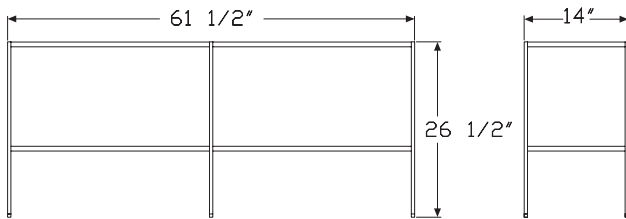
Drawer credenzas include wood boxes and self-closing hidden drawer slides.

CG six box drawer credenza includes pencil trays and felt lining in bottom of top two drawers.

When applicable, Ward Bennett Flip pulls come in matching metal finish.

Santos palisander veneer is celebrated for its unique grain and color variations. Similar products ordered in multiples or dissimilar products ordered separately should be expected to have variation in both grain and color characteristics; no two products will look exactly alike.

Dimensions



Specification Information

Step 1.

JCH2 A

Step 2. Size

-1462 14" deep x 61 1/2" wide x 26 1/2" high A

Step 3. Configuration - left unit

-C1 open shelf A

-C2 two doors A

-CF two 15" file drawers A

-CH one file drawer A

-CK three box drawers A

Step 4. Configuration - right unit

For open shelf (-C1)

C1 open shelf A

For two doors (-C2)

C1 open shelf A

C2 two doors A

CG six box drawers (top two pencil trays) A

For two 15" file drawers (-CF)

CF two 15" file drawers A

CG six box drawers (top two pencil trays) A

For one file drawer (-CH)

CH double doors left, 30" box/file right A

For three box drawers (-CK)

C2 two doors A

CF two 15" file drawers A

Prices for Steps 1-4.

		C1	C2	CF	CG	CH
JCH2-1462	-C1	\$7399	—	—	—	—
	-C2	\$8216	11057	—	13886	—
	-CF	—	—	-\$11808	14261	—
	-CH	—	—	—	—	—
\$11513						
	-CK	—	-\$12495	12879	—	—

H-Frame Credenza Two Units

Wide *continued*

Step 5. Wood Finish

Premium Veneer - Low Sheen

For open shelf (-C1) with open shelf (C1)

931	champagne anigre (natural) A	+\$1881
932	sundance anigre A	+\$1881
933	caramel anigre A	+\$1881
934	henna anigre A	+\$1881
941	natural beech A	+\$0
942	sundance cherry (natural) A	+\$0
943	caramel cherry A	+\$0
946	cocoa cherry A	+\$0
951	natural anigre A	+\$1881
956	cocoa sapele A	+\$0
962	toasted walnut, low sheen A	+\$0
963	charred walnut, low sheen A	+\$0
964	bronzed walnut, low sheen A	+\$0
965	smoked walnut, low sheen A	+\$0
966	coffee walnut, low sheen A	+\$0
967	smoked paldao, low sheen A	+\$706
969	warm paldao, low sheen A	+\$706
977	chocolate ash, low sheen A	+\$0
978	natural oak A	+\$0
981	champagne hickory (natural) A	+\$0
98R	recograin rosewood A	+\$0
991	champagne ash A	+\$0
998	ebony ash A	+\$0
99A	recograin frosty ash A	+\$0
99R	recograin rosewood A	+\$0
99T	recograin teak A	+\$0
9A1	white ash, quarter cut, low sheen A	+\$0
9K1	rift oak, rift cut, low sheen A	+\$0
9K6	burnt oak, rift cut, low sheen A	+\$0
G2U	light brown walnut, low sheen A	+\$0
G40	dark brown walnut, low sheen A	+\$0

Premium Veneer - Matte

For open shelf (-C1) with open shelf (C1)

662	toasted walnut, matte sheen A	+\$0
663	charred walnut, matte sheen A	+\$0
664	bronzed walnut, matte sheen A	+\$0
665	smoked walnut, matte sheen A	+\$0
666	coffee walnut, matte sheen A	+\$0
667	smoked paldao, quarter cut, matte sheen A	+\$706
669	warm paldao, quarter cut, matte sheen A	+\$706
66A	recograin frosty ash A	+\$0
677	chocolate ash, matte sheen A	+\$0
678	natural oak A	+\$0
68R	recograin rosewood A	+\$0
69A	recograin frosty ash A	+\$0
69R	recograin rosewood A	+\$0
69T	recograin teak A	+\$0
6A1	white ash A	+\$0
6K1	rift oak A	+\$0
6K6	burnt oak A	+\$0
ET	clear on ash A	+\$0
EU	oak on ash A	+\$0
EV	walnut on ash A	+\$0
GOU	natural walnut, flat cut, matte sheen A	+\$0

RecoGrain Veneer

For open shelf (-C1) with open shelf (C1)

68W	recograin walnut, flat cut, matte sheen A	-\$236
69K	recograin oak, quarter cut, matte sheen A	-\$236
69W	recograin walnut, quarter cut, matte sheen A	-\$236

Recon Veneer -

For open shelf (-C1) with open shelf (C1)

98W	recograin walnut, flat cut, low sheen A	-\$236
99K	recograin oak, quarter cut, low sheen A	-\$236
99W	recograin walnut, quarter cut, low sheen A	-\$236

H-Frame Credenza Two Units

Wide *continued*

Premium Veneer - Low Sheen

For two doors (-C2) with open shelf (C1)

931	champagne anigre (natural) <input type="checkbox"/>	+\$2089
932	sundance anigre <input type="checkbox"/>	+\$2089
933	caramel anigre <input type="checkbox"/>	+\$2089
934	henna anigre <input type="checkbox"/>	+\$2089
941	natural beech <input type="checkbox"/>	+\$0
942	sundance cherry (natural) <input type="checkbox"/>	+\$0
943	caramel cherry <input type="checkbox"/>	+\$0
946	cocoa cherry <input type="checkbox"/>	+\$0
951	natural anigre <input type="checkbox"/>	+\$2089
956	cocoa sapele <input type="checkbox"/>	+\$0
962	toasted walnut, low sheen <input type="checkbox"/>	+\$0
963	charred walnut, low sheen <input type="checkbox"/>	+\$0
964	bronzed walnut, low sheen <input type="checkbox"/>	+\$0
965	smoked walnut, low sheen <input type="checkbox"/>	+\$0
966	coffee walnut, low sheen <input type="checkbox"/>	+\$0
967	smoked paldao, low sheen <input type="checkbox"/>	+\$784
969	warm paldao, low sheen <input type="checkbox"/>	+\$784
977	chocolate ash, low sheen <input type="checkbox"/>	+\$0
978	natural oak <input type="checkbox"/>	+\$0
981	champagne hickory (natural) <input type="checkbox"/>	+\$0
98R	recoGrain rosewood <input type="checkbox"/>	+\$0
991	champagne ash <input type="checkbox"/>	+\$0
998	ebony ash <input type="checkbox"/>	+\$0
99A	recoGrain frosty ash <input type="checkbox"/>	+\$0
99R	recoGrain rosewood <input type="checkbox"/>	+\$0
99T	recoGrain teak <input type="checkbox"/>	+\$0
9A1	white ash, quarter cut, low sheen <input type="checkbox"/>	+\$0
9K1	rift oak, rift cut, low sheen <input type="checkbox"/>	+\$0
9K6	burnt oak, rift cut, low sheen <input type="checkbox"/>	+\$0
G2U	light brown walnut, low sheen <input type="checkbox"/>	+\$0
G40	dark brown walnut, low sheen <input type="checkbox"/>	+\$0

Premium Veneer - Matte

For two doors (-C2) with open shelf (C1)

662	toasted walnut, matte sheen <input type="checkbox"/>	+\$0
663	charred walnut, matte sheen <input type="checkbox"/>	+\$0
664	bronzed walnut, matte sheen <input type="checkbox"/>	+\$0
665	smoked walnut, matte sheen <input type="checkbox"/>	+\$0
666	coffee walnut, matte sheen <input type="checkbox"/>	+\$0
667	smoked paldao, quarter cut, matte sheen <input type="checkbox"/>	+\$784
669	warm paldao, quarter cut, matte sheen <input type="checkbox"/>	+\$784
66A	recoGrain frosty ash <input type="checkbox"/>	+\$0
677	chocolate ash, matte sheen <input type="checkbox"/>	+\$0
678	natural oak <input type="checkbox"/>	+\$0
68R	recoGrain rosewood <input type="checkbox"/>	+\$0
69A	recoGrain frosty ash <input type="checkbox"/>	+\$0
69R	recoGrain rosewood <input type="checkbox"/>	+\$0
69T	recoGrain teak <input type="checkbox"/>	+\$0
6A1	white ash <input type="checkbox"/>	+\$0
6K1	rift oak <input type="checkbox"/>	+\$0
6K6	burnt oak <input type="checkbox"/>	+\$0
ET	clear on ash <input type="checkbox"/>	+\$0
EU	oak on ash <input type="checkbox"/>	+\$0
EV	walnut on ash <input type="checkbox"/>	+\$0
GOU	natural walnut, flat cut, matte sheen <input type="checkbox"/>	+\$0

RecoGrain Veneer

For two doors (-C2) with open shelf (C1)

68W	recoGrain walnut, flat cut, matte sheen <input type="checkbox"/>	-\$262
69K	recoGrain oak, quarter cut, matte sheen <input type="checkbox"/>	-\$262
69W	recoGrain walnut, quarter cut, matte sheen <input type="checkbox"/>	-\$262

Recon Veneer -

For two doors (-C2) with open shelf (C1)

98W	recoGrain walnut, flat cut, low sheen <input type="checkbox"/>	-\$262
99K	recoGrain oak, quarter cut, low sheen <input type="checkbox"/>	-\$262
99W	recoGrain walnut, quarter cut, low sheen <input type="checkbox"/>	-\$262

H-Frame Credenza Two Units

Wide *continued*

Premium Veneer - Low Sheen		
<i>For two doors (-C2) with two doors (C2)</i>		
931	champagne anigre (natural) <input type="checkbox"/> <input type="checkbox"/>	+\$2811
932	sundance anigre <input type="checkbox"/>	+\$2811
933	caramel anigre <input type="checkbox"/>	+\$2811
934	henna anigre <input type="checkbox"/>	+\$2811
941	natural beech <input type="checkbox"/>	+\$0
942	sundance cherry (natural) <input type="checkbox"/>	+\$0
943	caramel cherry <input type="checkbox"/>	+\$0
946	cocoa cherry <input type="checkbox"/>	+\$0
951	natural anigre <input type="checkbox"/>	+\$2811
956	cocoa sapele <input type="checkbox"/>	+\$0
962	toasted walnut, low sheen <input type="checkbox"/>	+\$0
963	charred walnut, low sheen <input type="checkbox"/>	+\$0
964	bronzed walnut, low sheen <input type="checkbox"/>	+\$0
965	smoked walnut, low sheen <input type="checkbox"/>	+\$0
966	coffee walnut, low sheen <input type="checkbox"/>	+\$0
967	smoked paldao, low sheen <input type="checkbox"/>	+\$1054
969	warm paldao, low sheen <input type="checkbox"/>	+\$1054
977	chocolate ash, low sheen <input type="checkbox"/>	+\$0
978	natural oak <input type="checkbox"/>	+\$0
981	champagne hickory (natural) <input type="checkbox"/>	+\$0
98R	recograin rosewood <input type="checkbox"/>	+\$0
991	champagne ash <input type="checkbox"/>	+\$0
998	ebony ash <input type="checkbox"/>	+\$0
99A	recograin frosty ash <input type="checkbox"/>	+\$0
99R	recograin rosewood <input type="checkbox"/>	+\$0
99T	recograin teak <input type="checkbox"/>	+\$0
9A1	white ash, quarter cut, low sheen <input type="checkbox"/>	+\$0
9K1	rift oak, rift cut, low sheen <input type="checkbox"/>	+\$0
9K6	burnt oak, rift cut, low sheen <input type="checkbox"/>	+\$0
G2U	light brown walnut, low sheen <input type="checkbox"/>	+\$0
G40	dark brown walnut, low sheen <input type="checkbox"/>	+\$0

Premium Veneer - Matte		
<i>For two doors (-C2) with two doors (C2)</i>		
662	toasted walnut, matte sheen <input type="checkbox"/>	+\$0
663	charred walnut, matte sheen <input type="checkbox"/>	+\$0
664	bronzed walnut, matte sheen <input type="checkbox"/>	+\$0
665	smoked walnut, matte sheen <input type="checkbox"/>	+\$0
666	coffee walnut, matte sheen <input type="checkbox"/>	+\$0
667	smoked paldao, quarter cut, matte sheen <input type="checkbox"/>	+\$1054
669	warm paldao, quarter cut, matte sheen <input type="checkbox"/>	+\$1054
66A	recograin frosty ash <input type="checkbox"/>	+\$0
677	chocolate ash, matte sheen <input type="checkbox"/>	+\$0
678	natural oak <input type="checkbox"/>	+\$0
68R	recograin rosewood <input type="checkbox"/>	+\$0
69A	recograin frosty ash <input type="checkbox"/>	+\$0
69R	recograin rosewood <input type="checkbox"/>	+\$0
69T	recograin teak <input type="checkbox"/>	+\$0
6A1	white ash <input type="checkbox"/>	+\$0
6K1	rift oak <input type="checkbox"/>	+\$0
6K6	burnt oak <input type="checkbox"/>	+\$0
ET	clear on ash <input type="checkbox"/>	+\$0
EU	oak on ash <input type="checkbox"/>	+\$0
EV	walnut on ash <input type="checkbox"/>	+\$0
GOU	natural walnut, flat cut, matte sheen <input type="checkbox"/>	+\$0

RecoGrain Veneer		
<i>For two doors (-C2) with two doors (C2)</i>		
68W	recograin walnut, flat cut, matte sheen <input type="checkbox"/>	-\$352
69K	recograin oak, quarter cut, matte sheen <input type="checkbox"/>	-\$352
69W	recograin walnut, quarter cut, matte sheen <input type="checkbox"/>	-\$352

Recon Veneer -		
<i>For two doors (-C2) with two doors (C2)</i>		
98W	recograin walnut, flat cut, low sheen <input type="checkbox"/>	-\$352
99K	recograin oak, quarter cut, low sheen <input type="checkbox"/>	-\$352
99W	recograin walnut, quarter cut, low sheen <input type="checkbox"/>	-\$352

H-Frame Credenza Two Units

Wide *continued*

Premium Veneer - Low Sheen

For two doors (-C2) with six box drawers (top two pencil trays) (CG)

931	champagne anigre (natural) <input type="checkbox"/>	+\$3530
932	sundance anigre <input type="checkbox"/>	+\$3530
933	caramel anigre <input type="checkbox"/>	+\$3530
934	henna anigre <input type="checkbox"/>	+\$3530
941	natural beech <input type="checkbox"/>	+\$0
942	sundance cherry (natural) <input type="checkbox"/>	+\$0
943	caramel cherry <input type="checkbox"/>	+\$0
946	cocoa cherry <input type="checkbox"/>	+\$0
951	natural anigre <input type="checkbox"/>	+\$3530
956	cocoa sapele <input type="checkbox"/>	+\$0
962	toasted walnut, low sheen <input type="checkbox"/>	+\$0
963	charred walnut, low sheen <input type="checkbox"/>	+\$0
964	bronzed walnut, low sheen <input type="checkbox"/>	+\$0
965	smoked walnut, low sheen <input type="checkbox"/>	+\$0
966	coffee walnut, low sheen <input type="checkbox"/>	+\$0
967	smoked paldao, low sheen <input type="checkbox"/>	+\$1324
969	warm paldao, low sheen <input type="checkbox"/>	+\$1324
977	chocolate ash, low sheen <input type="checkbox"/>	+\$0
978	natural oak <input type="checkbox"/>	+\$0
981	champagne hickory (natural) <input type="checkbox"/>	+\$0
98R	recograin rosewood <input type="checkbox"/>	+\$0
991	champagne ash <input type="checkbox"/>	+\$0
998	ebony ash <input type="checkbox"/>	+\$0
99A	recograin frosty ash <input type="checkbox"/>	+\$0
99R	recograin rosewood <input type="checkbox"/>	+\$0
99T	recograin teak <input type="checkbox"/>	+\$0
9A1	white ash, quarter cut, low sheen <input type="checkbox"/>	+\$0
9K1	rift oak, rift cut, low sheen <input type="checkbox"/>	+\$0
9K6	burnt oak, rift cut, low sheen <input type="checkbox"/>	+\$0
G2U	light brown walnut, low sheen <input type="checkbox"/>	+\$0
G40	dark brown walnut, low sheen <input type="checkbox"/>	+\$0

Premium Veneer - Matte

For two doors (-C2) with six box drawers (top two pencil trays) (CG)

662	toasted walnut, matte sheen <input type="checkbox"/>	+\$0
663	charred walnut, matte sheen <input type="checkbox"/>	+\$0
664	bronzed walnut, matte sheen <input type="checkbox"/>	+\$0
665	smoked walnut, matte sheen <input type="checkbox"/>	+\$0
666	coffee walnut, matte sheen <input type="checkbox"/>	+\$0
667	smoked paldao, quarter cut, matte sheen <input type="checkbox"/>	+\$1324
669	warm paldao, quarter cut, matte sheen <input type="checkbox"/>	+\$1324
66A	recograin frosty ash <input type="checkbox"/>	+\$0
677	chocolate ash, matte sheen <input type="checkbox"/>	+\$0
678	natural oak <input type="checkbox"/>	+\$0
68R	recograin rosewood <input type="checkbox"/>	+\$0
69A	recograin frosty ash <input type="checkbox"/>	+\$0
69R	recograin rosewood <input type="checkbox"/>	+\$0
69T	recograin teak <input type="checkbox"/>	+\$0
6A1	white ash <input type="checkbox"/>	+\$0
6K1	rift oak <input type="checkbox"/>	+\$0
6K6	burnt oak <input type="checkbox"/>	+\$0
ET	clear on ash <input type="checkbox"/>	+\$0
EU	oak on ash <input type="checkbox"/>	+\$0
EV	walnut on ash <input type="checkbox"/>	+\$0
GOU	natural walnut, flat cut, matte sheen <input type="checkbox"/>	+\$0

RecoGrain Veneer

For two doors (-C2) with six box drawers (top two pencil trays) (CG)

68W	recograin walnut, flat cut, matte sheen <input type="checkbox"/>	-\$442
69K	recograin oak, quarter cut, matte sheen <input type="checkbox"/>	-\$442
69W	recograin walnut, quarter cut, matte sheen <input type="checkbox"/>	-\$442

Recon Veneer -

For two doors (-C2) with six box drawers (top two pencil trays) (CG)

98W	recograin walnut, flat cut, low sheen <input type="checkbox"/>	-\$442
99K	recograin oak, quarter cut, low sheen <input type="checkbox"/>	-\$442
99W	recograin walnut, quarter cut, low sheen <input type="checkbox"/>	-\$442

H-Frame Credenza Two Units

Wide *continued*

Premium Veneer - Low Sheen		
<i>For two 15" file drawers (-CF) with two 15" file drawers (CF)</i>		
931	champagne anigre (natural) <input type="checkbox"/>	+\$3002
932	sundance anigre <input type="checkbox"/>	+\$3002
933	caramel anigre <input type="checkbox"/>	+\$3002
934	henna anigre <input type="checkbox"/>	+\$3002
941	natural beech <input type="checkbox"/>	+\$0
942	sundance cherry (natural) <input type="checkbox"/>	+\$0
943	caramel cherry <input type="checkbox"/>	+\$0
946	cocoa cherry <input type="checkbox"/>	+\$0
951	natural anigre <input type="checkbox"/>	+\$3002
956	cocoa sapele <input type="checkbox"/>	+\$0
962	toasted walnut, low sheen <input type="checkbox"/>	+\$0
963	charred walnut, low sheen <input type="checkbox"/>	+\$0
964	bronzed walnut, low sheen <input type="checkbox"/>	+\$0
965	smoked walnut, low sheen <input type="checkbox"/>	+\$0
966	coffee walnut, low sheen <input type="checkbox"/>	+\$0
967	smoked paldao, low sheen <input type="checkbox"/>	+\$1126
969	warm paldao, low sheen <input type="checkbox"/>	+\$1126
977	chocolate ash, low sheen <input type="checkbox"/>	+\$0
978	natural oak <input type="checkbox"/>	+\$0
981	champagne hickory (natural) <input type="checkbox"/>	+\$0
98R	recograin rosewood <input type="checkbox"/>	+\$0
991	champagne ash <input type="checkbox"/>	+\$0
998	ebony ash <input type="checkbox"/>	+\$0
99A	recograin frosty ash <input type="checkbox"/>	+\$0
99R	recograin rosewood <input type="checkbox"/>	+\$0
99T	recograin teak <input type="checkbox"/>	+\$0
9A1	white ash, quarter cut, low sheen <input type="checkbox"/>	+\$0
9K1	rift oak, rift cut, low sheen <input type="checkbox"/>	+\$0
9K6	burnt oak, rift cut, low sheen <input type="checkbox"/>	+\$0
G2U	light brown walnut, low sheen <input type="checkbox"/>	+\$0
G40	dark brown walnut, low sheen <input type="checkbox"/>	+\$0

Premium Veneer - Matte		
<i>For two 15" file drawers (-CF) with two 15" file drawers (CF)</i>		
662	toasted walnut, matte sheen <input type="checkbox"/>	+\$0
663	charred walnut, matte sheen <input type="checkbox"/>	+\$0
664	bronzed walnut, matte sheen <input type="checkbox"/>	+\$0
665	smoked walnut, matte sheen <input type="checkbox"/>	+\$0
666	coffee walnut, matte sheen <input type="checkbox"/>	+\$0
667	smoked paldao, quarter cut, matte sheen <input type="checkbox"/>	+\$1126
669	warm paldao, quarter cut, matte sheen <input type="checkbox"/>	+\$1126
66A	recograin frosty ash <input type="checkbox"/>	+\$0
677	chocolate ash, matte sheen <input type="checkbox"/>	+\$0
678	natural oak <input type="checkbox"/>	+\$0
68R	recograin rosewood <input type="checkbox"/>	+\$0
69A	recograin frosty ash <input type="checkbox"/>	+\$0
69R	recograin rosewood <input type="checkbox"/>	+\$0
69T	recograin teak <input type="checkbox"/>	+\$0
6A1	white ash <input type="checkbox"/>	+\$0
6K1	rift oak <input type="checkbox"/>	+\$0
6K6	burnt oak <input type="checkbox"/>	+\$0
ET	clear on ash <input type="checkbox"/>	+\$0
EU	oak on ash <input type="checkbox"/>	+\$0
EV	walnut on ash <input type="checkbox"/>	+\$0
GOU	natural walnut, flat cut, matte sheen <input type="checkbox"/>	+\$0

RecoGrain Veneer		
<i>For two 15" file drawers (-CF) with two 15" file drawers (CF)</i>		
68W	recograin walnut, flat cut, matte sheen <input type="checkbox"/>	-\$376
69K	recograin oak, quarter cut, matte sheen <input type="checkbox"/>	-\$376
69W	recograin walnut, quarter cut, matte sheen <input type="checkbox"/>	-\$376

Recon Veneer -		
<i>For two 15" file drawers (-CF) with two 15" file drawers (CF)</i>		
98W	recograin walnut, flat cut, low sheen <input type="checkbox"/>	-\$376
99K	recograin oak, quarter cut, low sheen <input type="checkbox"/>	-\$376
99W	recograin walnut, quarter cut, low sheen <input type="checkbox"/>	-\$376

H-Frame Credenza Two Units

Wide *continued*

Premium Veneer - Low Sheen

For two 15" file drawers (-CF) with six box drawers (top two pencil trays) (CG)

931	champagne anigre (natural) [A]	+\$3626
932	sundance anigre [A]	+\$3626
933	caramel anigre [A]	+\$3626
934	henna anigre [A]	+\$3626
941	natural beech [A]	+\$0
942	sundance cherry (natural) [A]	+\$0
943	caramel cherry [A]	+\$0
946	cocoa cherry [A]	+\$0
951	natural anigre [A]	+\$3626
956	cocoa sapele [A]	+\$0
962	toasted walnut, low sheen [A]	+\$0
963	charred walnut, low sheen [A]	+\$0
964	bronzed walnut, low sheen [A]	+\$0
965	smoked walnut, low sheen [A]	+\$0
966	coffee walnut, low sheen [A]	+\$0
967	smoked paldao, low sheen [A]	+\$1360
969	warm paldao, low sheen [A]	+\$1360
977	chocolate ash, low sheen [A]	+\$0
978	natural oak [A]	+\$0
981	champagne hickory (natural) [A]	+\$0
98R	recograin rosewood [A]	+\$0
991	champagne ash [A]	+\$0
998	ebony ash [A]	+\$0
99A	recograin frosty ash [A]	+\$0
99R	recograin rosewood [A]	+\$0
99T	recograin teak [A]	+\$0
9A1	white ash, quarter cut, low sheen [A]	+\$0
9K1	rift oak, rift cut, low sheen [A]	+\$0
9K6	burnt oak, rift cut, low sheen [A]	+\$0
G2U	light brown walnut, low sheen [A]	+\$0
G40	dark brown walnut, low sheen [A]	+\$0

Premium Veneer - Matte

For two 15" file drawers (-CF) with six box drawers (top two pencil trays) (CG)

662	toasted walnut, matte sheen [A]	+\$0
663	charred walnut, matte sheen [A]	+\$0
664	bronzed walnut, matte sheen [A]	+\$0
665	smoked walnut, matte sheen [A]	+\$0
666	coffee walnut, matte sheen [A]	+\$0
667	smoked paldao, quarter cut, matte sheen [A]	+\$1360
669	warm paldao, quarter cut, matte sheen [A]	+\$1360
66A	recograin frosty ash [A]	+\$0
677	chocolate ash, matte sheen [A]	+\$0
678	natural oak [A]	+\$0
68R	recograin rosewood [A]	+\$0
69A	recograin frosty ash [A]	+\$0
69R	recograin rosewood [A]	+\$0
69T	recograin teak [A]	+\$0
6A1	white ash [A]	+\$0
6K1	rift oak [A]	+\$0
6K6	burnt oak [A]	+\$0
ET	clear on ash [A]	+\$0
EU	oak on ash [A]	+\$0
EV	walnut on ash [A]	+\$0
GOU	natural walnut, flat cut, matte sheen [A]	+\$0

RecoGrain Veneer

For two 15" file drawers (-CF) with six box drawers (top two pencil trays) (CG)

68W	recograin walnut, flat cut, matte sheen [A]	-\$454
69K	recograin oak, quarter cut, matte sheen [A]	-\$454
69W	recograin walnut, quarter cut, matte sheen [A]	-\$454

Recon Veneer -

For two 15" file drawers (-CF) with six box drawers (top two pencil trays) (CG)

98W	recograin walnut, flat cut, low sheen [A]	-\$454
99K	recograin oak, quarter cut, low sheen [A]	-\$454
99W	recograin walnut, quarter cut, low sheen [A]	-\$454

H-Frame Credenza Two Units

Wide *continued*

Premium Veneer - Low Sheen		
<i>For one file drawer (-CH) with double doors left, 30" box/file right (CH)</i>		
931	champagne anigre (natural) <input type="checkbox"/> <input type="checkbox"/>	+\$2927
932	sundance anigre <input type="checkbox"/>	+\$2927
933	caramel anigre <input type="checkbox"/>	+\$2927
934	henna anigre <input type="checkbox"/>	+\$2927
941	natural beech <input type="checkbox"/>	+\$0
942	sundance cherry (natural) <input type="checkbox"/>	+\$0
943	caramel cherry <input type="checkbox"/>	+\$0
946	cocoa cherry <input type="checkbox"/>	+\$0
951	natural anigre <input type="checkbox"/>	+\$2927
956	cocoa sapele <input type="checkbox"/>	+\$0
962	toasted walnut, low sheen <input type="checkbox"/>	+\$0
963	charred walnut, low sheen <input type="checkbox"/>	+\$0
964	bronzed walnut, low sheen <input type="checkbox"/>	+\$0
965	smoked walnut, low sheen <input type="checkbox"/>	+\$0
966	coffee walnut, low sheen <input type="checkbox"/>	+\$0
967	smoked paldao, low sheen <input type="checkbox"/>	+\$1098
969	warm paldao, low sheen <input type="checkbox"/>	+\$1098
977	chocolate ash, low sheen <input type="checkbox"/>	+\$0
978	natural oak <input type="checkbox"/>	+\$0
981	champagne hickory (natural) <input type="checkbox"/>	+\$0
98R	recograin rosewood <input type="checkbox"/>	+\$0
991	champagne ash <input type="checkbox"/>	+\$0
998	ebony ash <input type="checkbox"/>	+\$0
99A	recograin frosty ash <input type="checkbox"/>	+\$0
99R	recograin rosewood <input type="checkbox"/>	+\$0
99T	recograin teak <input type="checkbox"/>	+\$0
9A1	white ash, quarter cut, low sheen <input type="checkbox"/>	+\$0
9K1	rift oak, rift cut, low sheen <input type="checkbox"/>	+\$0
9K6	burnt oak, rift cut, low sheen <input type="checkbox"/>	+\$0
G2U	light brown walnut, low sheen <input type="checkbox"/>	+\$0
G40	dark brown walnut, low sheen <input type="checkbox"/>	+\$0

Premium Veneer - Matte		
<i>For one file drawer (-CH) with double doors left, 30" box/file right (CH)</i>		
662	toasted walnut, matte sheen <input type="checkbox"/>	+\$0
663	charred walnut, matte sheen <input type="checkbox"/>	+\$0
664	bronzed walnut, matte sheen <input type="checkbox"/>	+\$0
665	smoked walnut, matte sheen <input type="checkbox"/>	+\$0
666	coffee walnut, matte sheen <input type="checkbox"/>	+\$0
667	smoked paldao, quarter cut, matte sheen <input type="checkbox"/>	+\$1098
669	warm paldao, quarter cut, matte sheen <input type="checkbox"/>	+\$1098
66A	recograin frosty ash <input type="checkbox"/>	+\$0
677	chocolate ash, matte sheen <input type="checkbox"/>	+\$0
678	natural oak <input type="checkbox"/>	+\$0
68R	recograin rosewood <input type="checkbox"/>	+\$0
69A	recograin frosty ash <input type="checkbox"/>	+\$0
69R	recograin rosewood <input type="checkbox"/>	+\$0
69T	recograin teak <input type="checkbox"/>	+\$0
6A1	white ash <input type="checkbox"/>	+\$0
6K1	rift oak <input type="checkbox"/>	+\$0
6K6	burnt oak <input type="checkbox"/>	+\$0
ET	clear on ash <input type="checkbox"/>	+\$0
EU	oak on ash <input type="checkbox"/>	+\$0
EV	walnut on ash <input type="checkbox"/>	+\$0
GOU	natural walnut, flat cut, matte sheen <input type="checkbox"/>	+\$0

RecoGrain Veneer		
<i>For one file drawer (-CH) with double doors left, 30" box/file right (CH)</i>		
68W	recograin walnut, flat cut, matte sheen <input type="checkbox"/>	-\$366
69K	recograin oak, quarter cut, matte sheen <input type="checkbox"/>	-\$366
69W	recograin walnut, quarter cut, matte sheen <input type="checkbox"/>	-\$366

Recon Veneer -		
<i>For one file drawer (-CH) with double doors left, 30" box/file right (CH)</i>		
98W	recograin walnut, flat cut, low sheen <input type="checkbox"/>	-\$366
99K	recograin oak, quarter cut, low sheen <input type="checkbox"/>	-\$366
99W	recograin walnut, quarter cut, low sheen <input type="checkbox"/>	-\$366

H-Frame Credenza Two Units

Wide *continued*

Premium Veneer - Low Sheen

For three box drawers (-CK) with two doors (C2)

931	champagne anigre (natural) <input type="checkbox"/>	+\$3177
932	sundance anigre <input type="checkbox"/>	+\$3177
933	caramel anigre <input type="checkbox"/>	+\$3177
934	henna anigre <input type="checkbox"/>	+\$3177
941	natural beech <input type="checkbox"/>	+\$0
942	sundance cherry (natural) <input type="checkbox"/>	+\$0
943	caramel cherry <input type="checkbox"/>	+\$0
946	cocoa cherry <input type="checkbox"/>	+\$0
951	natural anigre <input type="checkbox"/>	+\$3177
956	cocoa sapele <input type="checkbox"/>	+\$0
962	toasted walnut, low sheen <input type="checkbox"/>	+\$0
963	charred walnut, low sheen <input type="checkbox"/>	+\$0
964	bronzed walnut, low sheen <input type="checkbox"/>	+\$0
965	smoked walnut, low sheen <input type="checkbox"/>	+\$0
966	coffee walnut, low sheen <input type="checkbox"/>	+\$0
967	smoked paldao, low sheen <input type="checkbox"/>	+\$1192
969	warm paldao, low sheen <input type="checkbox"/>	+\$1192
977	chocolate ash, low sheen <input type="checkbox"/>	+\$0
978	natural oak <input type="checkbox"/>	+\$0
981	champagne hickory (natural) <input type="checkbox"/>	+\$0
98R	recograin rosewood <input type="checkbox"/>	+\$0
991	champagne ash <input type="checkbox"/>	+\$0
998	ebony ash <input type="checkbox"/>	+\$0
99A	recograin frosty ash <input type="checkbox"/>	+\$0
99R	recograin rosewood <input type="checkbox"/>	+\$0
99T	recograin teak <input type="checkbox"/>	+\$0
9A1	white ash, quarter cut, low sheen <input type="checkbox"/>	+\$0
9K1	rift oak, rift cut, low sheen <input type="checkbox"/>	+\$0
9K6	burnt oak, rift cut, low sheen <input type="checkbox"/>	+\$0
G2U	light brown walnut, low sheen <input type="checkbox"/>	+\$0
G40	dark brown walnut, low sheen <input type="checkbox"/>	+\$0

Premium Veneer - Matte

For three box drawers (-CK) with two doors (C2)

662	toasted walnut, matte sheen <input type="checkbox"/>	+\$0
663	charred walnut, matte sheen <input type="checkbox"/>	+\$0
664	bronzed walnut, matte sheen <input type="checkbox"/>	+\$0
665	smoked walnut, matte sheen <input type="checkbox"/>	+\$0
666	coffee walnut, matte sheen <input type="checkbox"/>	+\$0
667	smoked paldao, quarter cut, matte sheen <input type="checkbox"/>	+\$1192
669	warm paldao, quarter cut, matte sheen <input type="checkbox"/>	+\$1192
66A	recograin frosty ash <input type="checkbox"/>	+\$0
677	chocolate ash, matte sheen <input type="checkbox"/>	+\$0
678	natural oak <input type="checkbox"/>	+\$0
68R	recograin rosewood <input type="checkbox"/>	+\$0
69A	recograin frosty ash <input type="checkbox"/>	+\$0
69R	recograin rosewood <input type="checkbox"/>	+\$0
69T	recograin teak <input type="checkbox"/>	+\$0
6A1	white ash <input type="checkbox"/>	+\$0
6K1	rift oak <input type="checkbox"/>	+\$0
6K6	burnt oak <input type="checkbox"/>	+\$0
ET	clear on ash <input type="checkbox"/>	+\$0
EU	oak on ash <input type="checkbox"/>	+\$0
EV	walnut on ash <input type="checkbox"/>	+\$0
GOU	natural walnut, flat cut, matte sheen <input type="checkbox"/>	+\$0

RecoGrain Veneer

For three box drawers (-CK) with two doors (C2)

68W	recograin walnut, flat cut, matte sheen <input type="checkbox"/>	-\$398
69K	recograin oak, quarter cut, matte sheen <input type="checkbox"/>	-\$398
69W	recograin walnut, quarter cut, matte sheen <input type="checkbox"/>	-\$398

Recon Veneer -

For three box drawers (-CK) with two doors (C2)

98W	recograin walnut, flat cut, low sheen <input type="checkbox"/>	-\$398
99K	recograin oak, quarter cut, low sheen <input type="checkbox"/>	-\$398
99W	recograin walnut, quarter cut, low sheen <input type="checkbox"/>	-\$398

H-Frame Credenza Two Units

Wide *continued*

Premium Veneer - Low Sheen		
<i>For three box drawers (-CK) with two 15" file drawers (CF)</i>		
931	champagne anigre (natural) <input type="checkbox"/> <input type="checkbox"/>	+\$3274
932	sundance anigre <input type="checkbox"/>	+\$3274
933	caramel anigre <input type="checkbox"/>	+\$3274
934	henna anigre <input type="checkbox"/>	+\$3274
941	natural beech <input type="checkbox"/>	+\$0
942	sundance cherry (natural) <input type="checkbox"/>	+\$0
943	caramel cherry <input type="checkbox"/>	+\$0
946	cocoa cherry <input type="checkbox"/>	+\$0
951	natural anigre <input type="checkbox"/>	+\$3274
956	cocoa sapele <input type="checkbox"/>	+\$0
962	toasted walnut, low sheen <input type="checkbox"/>	+\$0
963	charred walnut, low sheen <input type="checkbox"/>	+\$0
964	bronzed walnut, low sheen <input type="checkbox"/>	+\$0
965	smoked walnut, low sheen <input type="checkbox"/>	+\$0
966	coffee walnut, low sheen <input type="checkbox"/>	+\$0
967	smoked paldao, low sheen <input type="checkbox"/>	+\$1228
969	warm paldao, low sheen <input type="checkbox"/>	+\$1228
977	chocolate ash, low sheen <input type="checkbox"/>	+\$0
978	natural oak <input type="checkbox"/>	+\$0
981	champagne hickory (natural) <input type="checkbox"/>	+\$0
98R	recograin rosewood <input type="checkbox"/>	+\$0
991	champagne ash <input type="checkbox"/>	+\$0
998	ebony ash <input type="checkbox"/>	+\$0
99A	recograin frosty ash <input type="checkbox"/>	+\$0
99R	recograin rosewood <input type="checkbox"/>	+\$0
99T	recograin teak <input type="checkbox"/>	+\$0
9A1	white ash, quarter cut, low sheen <input type="checkbox"/>	+\$0
9K1	rift oak, rift cut, low sheen <input type="checkbox"/>	+\$0
9K6	burnt oak, rift cut, low sheen <input type="checkbox"/>	+\$0
G2U	light brown walnut, low sheen <input type="checkbox"/>	+\$0
G40	dark brown walnut, low sheen <input type="checkbox"/>	+\$0

Premium Veneer - Matte		
<i>For three box drawers (-CK) with two 15" file drawers (CF)</i>		
662	toasted walnut, matte sheen <input type="checkbox"/>	+\$0
663	charred walnut, matte sheen <input type="checkbox"/>	+\$0
664	bronzed walnut, matte sheen <input type="checkbox"/>	+\$0
665	smoked walnut, matte sheen <input type="checkbox"/>	+\$0
666	coffee walnut, matte sheen <input type="checkbox"/>	+\$0
667	smoked paldao, quarter cut, matte sheen <input type="checkbox"/>	+\$1228
669	warm paldao, quarter cut, matte sheen <input type="checkbox"/>	+\$1228
66A	recograin frosty ash <input type="checkbox"/>	+\$0
677	chocolate ash, matte sheen <input type="checkbox"/>	+\$0
678	natural oak <input type="checkbox"/>	+\$0
68R	recograin rosewood <input type="checkbox"/>	+\$0
69A	recograin frosty ash <input type="checkbox"/>	+\$0
69R	recograin rosewood <input type="checkbox"/>	+\$0
69T	recograin teak <input type="checkbox"/>	+\$0
6A1	white ash <input type="checkbox"/>	+\$0
6K1	rift oak <input type="checkbox"/>	+\$0
6K6	burnt oak <input type="checkbox"/>	+\$0
ET	clear on ash <input type="checkbox"/>	+\$0
EU	oak on ash <input type="checkbox"/>	+\$0
EV	walnut on ash <input type="checkbox"/>	+\$0
GOU	natural walnut, flat cut, matte sheen <input type="checkbox"/>	+\$0

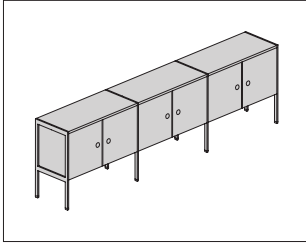
RecoGrain Veneer		
<i>For three box drawers (-CK) with two 15" file drawers (CF)</i>		
68W	recograin walnut, flat cut, matte sheen <input type="checkbox"/>	-\$410
69K	recograin oak, quarter cut, matte sheen <input type="checkbox"/>	-\$410
69W	recograin walnut, quarter cut, matte sheen <input type="checkbox"/>	-\$410

Recon Veneer -		
<i>For three box drawers (-CK) with two 15" file drawers (CF)</i>		
98W	recograin walnut, flat cut, low sheen <input type="checkbox"/>	-\$410
99K	recograin oak, quarter cut, low sheen <input type="checkbox"/>	-\$410
99W	recograin walnut, quarter cut, low sheen <input type="checkbox"/>	-\$410

Step 6. Metal Finish		
CHR	chrome <input type="checkbox"/>	+\$0
SAC	satin chrome <input type="checkbox"/>	+\$0

H-Frame Credenza Three Units Wide

JCH3-



Product Information

Description

This three-unit wide H-frame credenza has a wooden top and includes 1/2"-thick metal frame gables on the ends. H-frame credenzas are modular and shipped partially assembled.

Notes

All hardware for assembly is included.

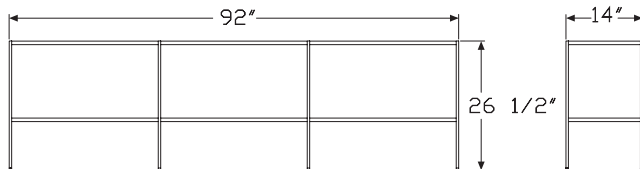
Drawer credenzas include wood boxes and self-closing hidden drawer slides.

CG six box drawer credenza includes pencil trays and felt lining in bottom of top two drawers.

When applicable, Ward Bennett Flip pulls come in matching metal finish.

Santos palisander veneer is celebrated for its unique grain and color variations. Similar products ordered in multiples or dissimilar products ordered separately should be expected to have variation in both grain and color characteristics; no two products will look exactly alike.

Dimensions



Specification Information

Step 1.

JCH3

Step 2. Size

-1492 14" deep x 92" wide x 26 1/2" high

Step 3. Configuration - left unit

-C1 open shelf

-C2 two doors

-CF two 15" file drawers

-CH one file drawer

Step 4. Configuration - middle unit

For open shelf (-C1)

C1 open shelf

C2 two doors

CF two 15" file drawers

CG six box drawers (top two pencil trays)

For two doors (-C2)

C2 two doors

For two 15" file drawers (-CF)

CF two 15" file drawers

For one file drawer (-CH)

CH one file drawer

Step 5. Configuration - right unit

For open shelf (-C1) with open shelf (C1)

C1 open shelf

For open shelf (-C1) with two doors (C2)

C2 two doors

For open shelf (-C1) with two 15" file drawers (CF)

C2 two doors

For open shelf (-C1) with six box drawers (top two pencil trays) (CG)

C2 two doors

For two doors (-C2) with two doors (C2)

C2 two doors

H-Frame Credenza Three Units

Wide *continued*

HermanMiller Ancillary-Storage

For two 15" file drawers (-CF) with two 15" file drawers (CF)

CF two 15" file drawers A

For one file drawer (-CH) with one file drawer (CH)

CH double doors left, 30" box/file right A

Prices for Steps 1-5.

			C1	CF	CH	C2
JCH3-1492	-C1	C1	\$10589	—	—	—
		C2	—	—	—	—
\$14237						
		CF	—	—	—	—
\$14623						
		CG	—	—	—	—
\$17075						
	-C2	C2	—	—	—	—
\$16069						
	-CF	CF	—\$17198	—	—	—
	-CH	CH	—	—\$16757	—	—

Step 6. Wood Finish

Premium Veneer - Low Sheen

For open shelf (-C1) with open shelf (C1) with open shelf (C1)

931	champagne anigre (natural) <input type="checkbox"/> A	+\$2692
932	sundance anigre <input type="checkbox"/> A	+\$2692
933	caramel anigre <input type="checkbox"/> A	+\$2692
934	henna anigre <input type="checkbox"/> A	+\$2692
941	natural beech <input type="checkbox"/> A	+\$0
942	sundance cherry (natural) <input type="checkbox"/> A	+\$0
943	caramel cherry <input type="checkbox"/> A	+\$0
946	cocoa cherry <input type="checkbox"/> A	+\$0
951	natural anigre <input type="checkbox"/> A	+\$2692
956	cocoa sapele <input type="checkbox"/> A	+\$0
962	toasted walnut, low sheen <input type="checkbox"/> A	+\$0
963	charred walnut, low sheen <input type="checkbox"/> A	+\$0
964	bronzed walnut, low sheen <input type="checkbox"/> A	+\$0
965	smoked walnut, low sheen <input type="checkbox"/> A	+\$0
966	coffee walnut, low sheen <input type="checkbox"/> A	+\$0
967	smoked paldao, low sheen <input type="checkbox"/> A	+\$1010
969	warm paldao, low sheen <input type="checkbox"/> A	+\$1010
977	chocolate ash, low sheen <input type="checkbox"/> A	+\$0
978	natural oak <input type="checkbox"/> A	+\$0
981	champagne hickory (natural) <input type="checkbox"/> A	+\$0
98R	recograin rosewood <input type="checkbox"/> A	+\$0
991	champagne ash <input type="checkbox"/> A	+\$0
998	ebony ash <input type="checkbox"/> A	+\$0
99A	recograin frosty ash <input type="checkbox"/> A	+\$0
99R	recograin rosewood <input type="checkbox"/> A	+\$0
99T	recograin teak <input type="checkbox"/> A	+\$0
9A1	white ash, quarter cut, low sheen <input type="checkbox"/> A	+\$0
9K1	rift oak, rift cut, low sheen <input type="checkbox"/> A	+\$0
9K6	burnt oak, rift cut, low sheen <input type="checkbox"/> A	+\$0
G2U	light brown walnut, low sheen <input type="checkbox"/> A	+\$0
G40	dark brown walnut, low sheen <input type="checkbox"/> A	+\$0

H-Frame Credenza Three Units

Wide *continued*

Premium Veneer - Matte

For open shelf (-C1) with open shelf (C1) with open shelf (C1)

662	toasted walnut, matte sheen <input type="checkbox"/>	+\$0
663	charred walnut, matte sheen <input type="checkbox"/>	+\$0
664	bronzed walnut, matte sheen <input type="checkbox"/>	+\$0
665	smoked walnut, matte sheen <input type="checkbox"/>	+\$0
666	coffee walnut, matte sheen <input type="checkbox"/>	+\$0
667	smoked paldao, quarter cut, matte sheen <input type="checkbox"/>	+\$1010
669	warm paldao, quarter cut, matte sheen <input type="checkbox"/>	+\$1010
66A	recograin frosty ash <input type="checkbox"/>	+\$0
677	chocolate ash, matte sheen <input type="checkbox"/>	+\$0
678	natural oak <input type="checkbox"/>	+\$0
68R	recograin rosewood <input type="checkbox"/>	+\$0
69A	recograin frosty ash <input type="checkbox"/>	+\$0
69R	recograin rosewood <input type="checkbox"/>	+\$0
69T	recograin teak <input type="checkbox"/>	+\$0
6A1	white ash <input type="checkbox"/>	+\$0
6K1	rift oak <input type="checkbox"/>	+\$0
6K6	burnt oak <input type="checkbox"/>	+\$0
ET	clear on ash <input type="checkbox"/>	+\$0
EU	oak on ash <input type="checkbox"/>	+\$0
EV	walnut on ash <input type="checkbox"/>	+\$0
GOU	natural walnut, flat cut, matte sheen <input type="checkbox"/>	+\$0

RecoGrain Veneer

For open shelf (-C1) with open shelf (C1) with open shelf (C1)

68W	recograin walnut, flat cut, matte sheen <input type="checkbox"/>	-\$337
69K	recograin oak, quarter cut, matte sheen <input type="checkbox"/>	-\$337
69W	recograin walnut, quarter cut, matte sheen <input type="checkbox"/>	-\$337

Recon Veneer -

For open shelf (-C1) with open shelf (C1) with open shelf (C1)

98W	recograin walnut, flat cut, low sheen <input type="checkbox"/>	-\$337
99K	recograin oak, quarter cut, low sheen <input type="checkbox"/>	-\$337
99W	recograin walnut, quarter cut, low sheen <input type="checkbox"/>	-\$337

Premium Veneer - Low Sheen

For open shelf (-C1) with two doors (C2) with two doors (C2)

931	champagne anigre (natural) <input type="checkbox"/>	+\$3620
932	sundance anigre <input type="checkbox"/>	+\$3620
933	caramel anigre <input type="checkbox"/>	+\$3620
934	henna anigre <input type="checkbox"/>	+\$3620
941	natural beech <input type="checkbox"/>	+\$0
942	sundance cherry (natural) <input type="checkbox"/>	+\$0
943	caramel cherry <input type="checkbox"/>	+\$0
946	cocoa cherry <input type="checkbox"/>	+\$0
951	natural anigre <input type="checkbox"/>	+\$3620
956	cocoa sapele <input type="checkbox"/>	+\$0
962	toasted walnut, low sheen <input type="checkbox"/>	+\$0
963	charred walnut, low sheen <input type="checkbox"/>	+\$0
964	bronzed walnut, low sheen <input type="checkbox"/>	+\$0
965	smoked walnut, low sheen <input type="checkbox"/>	+\$0
966	coffee walnut, low sheen <input type="checkbox"/>	+\$0
967	smoked paldao, low sheen <input type="checkbox"/>	+\$1358
969	warm paldao, low sheen <input type="checkbox"/>	+\$1358
977	chocolate ash, low sheen <input type="checkbox"/>	+\$0
978	natural oak <input type="checkbox"/>	+\$0
981	champagne hickory (natural) <input type="checkbox"/>	+\$0
98R	recograin rosewood <input type="checkbox"/>	+\$0
991	champagne ash <input type="checkbox"/>	+\$0
998	ebony ash <input type="checkbox"/>	+\$0
99A	recograin frosty ash <input type="checkbox"/>	+\$0
99R	recograin rosewood <input type="checkbox"/>	+\$0
99T	recograin teak <input type="checkbox"/>	+\$0
9A1	white ash, quarter cut, low sheen <input type="checkbox"/>	+\$0
9K1	rift oak, rift cut, low sheen <input type="checkbox"/>	+\$0
9K6	burnt oak, rift cut, low sheen <input type="checkbox"/>	+\$0
G2U	light brown walnut, low sheen <input type="checkbox"/>	+\$0
G40	dark brown walnut, low sheen <input type="checkbox"/>	+\$0

H-Frame Credenza Three Units

Wide *continued*

Premium Veneer - Matte		
<i>For open shelf (-C1) with two doors (C2) with two doors (C2)</i>		
662	toasted walnut, matte sheen <input type="checkbox"/>	+\$0
663	charred walnut, matte sheen <input type="checkbox"/>	+\$0
664	bronzed walnut, matte sheen <input type="checkbox"/>	+\$0
665	smoked walnut, matte sheen <input type="checkbox"/>	+\$0
666	coffee walnut, matte sheen <input type="checkbox"/>	+\$0
667	smoked paldao, quarter cut, matte sheen <input type="checkbox"/>	+\$1358
669	warm paldao, quarter cut, matte sheen <input type="checkbox"/>	+\$1358
66A	recograin frosty ash <input type="checkbox"/>	+\$0
677	chocolate ash, matte sheen <input type="checkbox"/>	+\$0
678	natural oak <input type="checkbox"/>	+\$0
68R	recograin rosewood <input type="checkbox"/>	+\$0
69A	recograin frosty ash <input type="checkbox"/>	+\$0
69R	recograin rosewood <input type="checkbox"/>	+\$0
69T	recograin teak <input type="checkbox"/>	+\$0
6A1	white ash <input type="checkbox"/>	+\$0
6K1	rift oak <input type="checkbox"/>	+\$0
6K6	burnt oak <input type="checkbox"/>	+\$0
ET	clear on ash <input type="checkbox"/>	+\$0
EU	oak on ash <input type="checkbox"/>	+\$0
EV	walnut on ash <input type="checkbox"/>	+\$0
GOU	natural walnut, flat cut, matte sheen <input type="checkbox"/>	+\$0

RecoGrain Veneer		
<i>For open shelf (-C1) with two doors (C2) with two doors (C2)</i>		
68W	recograin walnut, flat cut, matte sheen <input type="checkbox"/>	-\$453
69K	recograin oak, quarter cut, matte sheen <input type="checkbox"/>	-\$453
69W	recograin walnut, quarter cut, matte sheen <input type="checkbox"/>	-\$453

Recon Veneer -		
<i>For open shelf (-C1) with two doors (C2) with two doors (C2)</i>		
98W	recograin walnut, flat cut, low sheen <input type="checkbox"/>	-\$453
99K	recograin oak, quarter cut, low sheen <input type="checkbox"/>	-\$453
99W	recograin walnut, quarter cut, low sheen <input type="checkbox"/>	-\$453

Premium Veneer - Low Sheen		
<i>For open shelf (-C1) with two 15" file drawers (CF) with two doors (C2)</i>		
931	champagne anigre (natural) <input type="checkbox"/>	+\$3718
932	sundance anigre <input type="checkbox"/>	+\$3718
933	caramel anigre <input type="checkbox"/>	+\$3718
934	henna anigre <input type="checkbox"/>	+\$3718
941	natural beech <input type="checkbox"/>	+\$0
942	sundance cherry (natural) <input type="checkbox"/>	+\$0
943	caramel cherry <input type="checkbox"/>	+\$0
946	cocoa cherry <input type="checkbox"/>	+\$0
951	natural anigre <input type="checkbox"/>	+\$3718
956	cocoa sapele <input type="checkbox"/>	+\$0
962	toasted walnut, low sheen <input type="checkbox"/>	+\$0
963	charred walnut, low sheen <input type="checkbox"/>	+\$0
964	bronzed walnut, low sheen <input type="checkbox"/>	+\$0
965	smoked walnut, low sheen <input type="checkbox"/>	+\$0
966	coffee walnut, low sheen <input type="checkbox"/>	+\$0
967	smoked paldao, low sheen <input type="checkbox"/>	+\$1394
969	warm paldao, low sheen <input type="checkbox"/>	+\$1394
977	chocolate ash, low sheen <input type="checkbox"/>	+\$0
978	natural oak <input type="checkbox"/>	+\$0
981	champagne hickory (natural) <input type="checkbox"/>	+\$0
98R	recograin rosewood <input type="checkbox"/>	+\$0
991	champagne ash <input type="checkbox"/>	+\$0
998	ebony ash <input type="checkbox"/>	+\$0
99A	recograin frosty ash <input type="checkbox"/>	+\$0
99R	recograin rosewood <input type="checkbox"/>	+\$0
99T	recograin teak <input type="checkbox"/>	+\$0
9A1	white ash, quarter cut, low sheen <input type="checkbox"/>	+\$0
9K1	rift oak, rift cut, low sheen <input type="checkbox"/>	+\$0
9K6	burnt oak, rift cut, low sheen <input type="checkbox"/>	+\$0
G2U	light brown walnut, low sheen <input type="checkbox"/>	+\$0
G40	dark brown walnut, low sheen <input type="checkbox"/>	+\$0

H-Frame Credenza Three Units

Wide *continued*

Premium Veneer - Matte

For open shelf (-C1) with two 15" file drawers (CF) with two doors (C2)

662	toasted walnut, matte sheen <input type="checkbox"/>	+\$0
663	charred walnut, matte sheen <input type="checkbox"/>	+\$0
664	bronzed walnut, matte sheen <input type="checkbox"/>	+\$0
665	smoked walnut, matte sheen <input type="checkbox"/>	+\$0
666	coffee walnut, matte sheen <input type="checkbox"/>	+\$0
667	smoked paldao, quarter cut, matte sheen <input type="checkbox"/>	+\$1394
669	warm paldao, quarter cut, matte sheen <input type="checkbox"/>	+\$1394
66A	recograin frosty ash <input type="checkbox"/>	+\$0
677	chocolate ash, matte sheen <input type="checkbox"/>	+\$0
678	natural oak <input type="checkbox"/>	+\$0
68R	recograin rosewood <input type="checkbox"/>	+\$0
69A	recograin frosty ash <input type="checkbox"/>	+\$0
69R	recograin rosewood <input type="checkbox"/>	+\$0
69T	recograin teak <input type="checkbox"/>	+\$0
6A1	white ash <input type="checkbox"/>	+\$0
6K1	rift oak <input type="checkbox"/>	+\$0
6K6	burnt oak <input type="checkbox"/>	+\$0
ET	clear on ash <input type="checkbox"/>	+\$0
EU	oak on ash <input type="checkbox"/>	+\$0
EV	walnut on ash <input type="checkbox"/>	+\$0
GOU	natural walnut, flat cut, matte sheen <input type="checkbox"/>	+\$0

RecoGrain Veneer

For open shelf (-C1) with two 15" file drawers (CF) with two doors (C2)

68W	recograin walnut, flat cut, matte sheen <input type="checkbox"/>	-\$465
69K	recograin oak, quarter cut, matte sheen <input type="checkbox"/>	-\$465
69W	recograin walnut, quarter cut, matte sheen <input type="checkbox"/>	-\$465

Recon Veneer -

For open shelf (-C1) with two 15" file drawers (CF) with two doors (C2)

98W	recograin walnut, flat cut, low sheen <input type="checkbox"/>	-\$465
99K	recograin oak, quarter cut, low sheen <input type="checkbox"/>	-\$465
99W	recograin walnut, quarter cut, low sheen <input type="checkbox"/>	-\$465

Premium Veneer - Low Sheen

For open shelf (-C1) with six box drawers (top two pencil trays) (CG) with two doors (C2)

931	champagne anigre (natural) <input type="checkbox"/>	+\$4342
932	sundance anigre <input type="checkbox"/>	+\$4342
933	caramel anigre <input type="checkbox"/>	+\$4342
934	henna anigre <input type="checkbox"/>	+\$4342
941	natural beech <input type="checkbox"/>	+\$0
942	sundance cherry (natural) <input type="checkbox"/>	+\$0
943	caramel cherry <input type="checkbox"/>	+\$0
946	cocoa cherry <input type="checkbox"/>	+\$0
951	natural anigre <input type="checkbox"/>	+\$4342
956	cocoa sapele <input type="checkbox"/>	+\$0
962	toasted walnut, low sheen <input type="checkbox"/>	+\$0
963	charred walnut, low sheen <input type="checkbox"/>	+\$0
964	bronzed walnut, low sheen <input type="checkbox"/>	+\$0
965	smoked walnut, low sheen <input type="checkbox"/>	+\$0
966	coffee walnut, low sheen <input type="checkbox"/>	+\$0
967	smoked paldao, low sheen <input type="checkbox"/>	+\$1628
969	warm paldao, low sheen <input type="checkbox"/>	+\$1628
977	chocolate ash, low sheen <input type="checkbox"/>	+\$0
978	natural oak <input type="checkbox"/>	+\$0
981	champagne hickory (natural) <input type="checkbox"/>	+\$0
98R	recograin rosewood <input type="checkbox"/>	+\$0
991	champagne ash <input type="checkbox"/>	+\$0
998	ebony ash <input type="checkbox"/>	+\$0
99A	recograin frosty ash <input type="checkbox"/>	+\$0
99R	recograin rosewood <input type="checkbox"/>	+\$0
99T	recograin teak <input type="checkbox"/>	+\$0
9A1	white ash, quarter cut, low sheen <input type="checkbox"/>	+\$0
9K1	rift oak, rift cut, low sheen <input type="checkbox"/>	+\$0
9K6	burnt oak, rift cut, low sheen <input type="checkbox"/>	+\$0
G2U	light brown walnut, low sheen <input type="checkbox"/>	+\$0
G40	dark brown walnut, low sheen <input type="checkbox"/>	+\$0

H-Frame Credenza Three Units

Wide *continued*

Premium Veneer - Matte

For open shelf (-C1) with six box drawers (top two pencil trays) (CG) with two doors (C2)

662	toasted walnut, matte sheen A	+\$0
663	charred walnut, matte sheen A	+\$0
664	bronzed walnut, matte sheen A	+\$0
665	smoked walnut, matte sheen A	+\$0
666	coffee walnut, matte sheen A	+\$0
667	smoked paldao, quarter cut, matte sheen A	+\$1628
669	warm paldao, quarter cut, matte sheen A	+\$1628
66A	recograin frosty ash A	+\$0
677	chocolate ash, matte sheen A	+\$0
678	natural oak A	+\$0
68R	recograin rosewood A	+\$0
69A	recograin frosty ash A	+\$0
69R	recograin rosewood A	+\$0
69T	recograin teak A	+\$0
6A1	white ash A	+\$0
6K1	rift oak A	+\$0
6K6	burnt oak A	+\$0
ET	clear on ash A	+\$0
EU	oak on ash A	+\$0
EV	walnut on ash A	+\$0
GOU	natural walnut, flat cut, matte sheen A	+\$0

RecoGrain Veneer

For open shelf (-C1) with six box drawers (top two pencil trays) (CG) with two doors (C2)

68W	recograin walnut, flat cut, matte sheen A	-\$543
69K	recograin oak, quarter cut, matte sheen A	-\$543
69W	recograin walnut, quarter cut, matte sheen A	-\$543

Recon Veneer -

For open shelf (-C1) with six box drawers (top two pencil trays) (CG) with two doors (C2)

98W	recograin walnut, flat cut, low sheen A	-\$543
99K	recograin oak, quarter cut, low sheen A	-\$543
99W	recograin walnut, quarter cut, low sheen A	-\$543

Premium Veneer - Low Sheen

For two doors (-C2) with two doors (C2) with two doors (C2)

931	champagne anigre (natural) A	+\$4086
932	sundance anigre A	+\$4086
933	caramel anigre A	+\$4086
934	henna anigre A	+\$4086
941	natural beech A	+\$0
942	sundance cherry (natural) A	+\$0
943	caramel cherry A	+\$0
946	cocoa cherry A	+\$0
951	natural anigre A	+\$4086
956	cocoa sapele A	+\$0
962	toasted walnut, low sheen A	+\$0
963	charred walnut, low sheen A	+\$0
964	bronzed walnut, low sheen A	+\$0
965	smoked walnut, low sheen A	+\$0
966	coffee walnut, low sheen A	+\$0
967	smoked paldao, low sheen A	+\$1532
969	warm paldao, low sheen A	+\$1532
977	chocolate ash, low sheen A	+\$0
978	natural oak A	+\$0
981	champagne hickory (natural) A	+\$0
98R	recograin rosewood A	+\$0
991	champagne ash A	+\$0
998	ebony ash A	+\$0
99A	recograin frosty ash A	+\$0
99R	recograin rosewood A	+\$0
99T	recograin teak A	+\$0
9A1	white ash, quarter cut, low sheen A	+\$0
9K1	rift oak, rift cut, low sheen A	+\$0
9K6	burnt oak, rift cut, low sheen A	+\$0
G2U	light brown walnut, low sheen A	+\$0
G40	dark brown walnut, low sheen A	+\$0

H-Frame Credenza Three Units

Wide *continued*

Premium Veneer - Matte

For two doors (-C2) with two doors (C2) with two doors (C2)

662	toasted walnut, matte sheen <input type="checkbox"/>	+\$0
663	charred walnut, matte sheen <input type="checkbox"/>	+\$0
664	bronzed walnut, matte sheen <input type="checkbox"/>	+\$0
665	smoked walnut, matte sheen <input type="checkbox"/>	+\$0
666	coffee walnut, matte sheen <input type="checkbox"/>	+\$0
667	smoked paldao, quarter cut, matte sheen <input type="checkbox"/>	+\$1532
669	warm paldao, quarter cut, matte sheen <input type="checkbox"/>	+\$1532
66A	recograin frosty ash <input type="checkbox"/>	+\$0
677	chocolate ash, matte sheen <input type="checkbox"/>	+\$0
678	natural oak <input type="checkbox"/>	+\$0
68R	recograin rosewood <input type="checkbox"/>	+\$0
69A	recograin frosty ash <input type="checkbox"/>	+\$0
69R	recograin rosewood <input type="checkbox"/>	+\$0
69T	recograin teak <input type="checkbox"/>	+\$0
6A1	white ash <input type="checkbox"/>	+\$0
6K1	rift oak <input type="checkbox"/>	+\$0
6K6	burnt oak <input type="checkbox"/>	+\$0
ET	clear on ash <input type="checkbox"/>	+\$0
EU	oak on ash <input type="checkbox"/>	+\$0
EV	walnut on ash <input type="checkbox"/>	+\$0
GOU	natural walnut, flat cut, matte sheen <input type="checkbox"/>	+\$0

RecoGrain Veneer

For two doors (-C2) with two doors (C2) with two doors (C2)

68W	recograin walnut, flat cut, matte sheen <input type="checkbox"/>	-\$511
69K	recograin oak, quarter cut, matte sheen <input type="checkbox"/>	-\$511
69W	recograin walnut, quarter cut, matte sheen <input type="checkbox"/>	-\$511

Recon Veneer -

For two doors (-C2) with two doors (C2) with two doors (C2)

98W	recograin walnut, flat cut, low sheen <input type="checkbox"/>	-\$511
99K	recograin oak, quarter cut, low sheen <input type="checkbox"/>	-\$511
99W	recograin walnut, quarter cut, low sheen <input type="checkbox"/>	-\$511

Premium Veneer - Low Sheen

For two 15" file drawers (-CF) with two 15" file drawers (CF) with two 15" file drawers (CF)

931	champagne anigre (natural) <input type="checkbox"/>	+\$4373
932	sundance anigre <input type="checkbox"/>	+\$4373
933	caramel anigre <input type="checkbox"/>	+\$4373
934	henna anigre <input type="checkbox"/>	+\$4373
941	natural beech <input type="checkbox"/>	+\$0
942	sundance cherry (natural) <input type="checkbox"/>	+\$0
943	caramel cherry <input type="checkbox"/>	+\$0
946	cocoa cherry <input type="checkbox"/>	+\$0
951	natural anigre <input type="checkbox"/>	+\$4373
956	cocoa sapele <input type="checkbox"/>	+\$0
962	toasted walnut, low sheen <input type="checkbox"/>	+\$0
963	charred walnut, low sheen <input type="checkbox"/>	+\$0
964	bronzed walnut, low sheen <input type="checkbox"/>	+\$0
965	smoked walnut, low sheen <input type="checkbox"/>	+\$0
966	coffee walnut, low sheen <input type="checkbox"/>	+\$0
967	smoked paldao, low sheen <input type="checkbox"/>	+\$1640
969	warm paldao, low sheen <input type="checkbox"/>	+\$1640
977	chocolate ash, low sheen <input type="checkbox"/>	+\$0
978	natural oak <input type="checkbox"/>	+\$0
981	champagne hickory (natural) <input type="checkbox"/>	+\$0
98R	recograin rosewood <input type="checkbox"/>	+\$0
991	champagne ash <input type="checkbox"/>	+\$0
998	ebony ash <input type="checkbox"/>	+\$0
99A	recograin frosty ash <input type="checkbox"/>	+\$0
99R	recograin rosewood <input type="checkbox"/>	+\$0
99T	recograin teak <input type="checkbox"/>	+\$0
9A1	white ash, quarter cut, low sheen <input type="checkbox"/>	+\$0
9K1	rift oak, rift cut, low sheen <input type="checkbox"/>	+\$0
9K6	burnt oak, rift cut, low sheen <input type="checkbox"/>	+\$0
G2U	light brown walnut, low sheen <input type="checkbox"/>	+\$0
G40	dark brown walnut, low sheen <input type="checkbox"/>	+\$0

H-Frame Credenza Three Units

Wide *continued*

Premium Veneer - Matte

For two 15" file drawers (-CF) with two 15" file drawers (CF) with two 15" file drawers (CF)

662	toasted walnut, matte sheen <input type="checkbox"/>	+\$0
663	charred walnut, matte sheen <input type="checkbox"/>	+\$0
664	bronzed walnut, matte sheen <input type="checkbox"/>	+\$0
665	smoked walnut, matte sheen <input type="checkbox"/>	+\$0
666	coffee walnut, matte sheen <input type="checkbox"/>	+\$0
667	smoked paldao, quarter cut, matte sheen <input type="checkbox"/>	+\$1640
669	warm paldao, quarter cut, matte sheen <input type="checkbox"/>	+\$1640
66A	recograin frosty ash <input type="checkbox"/>	+\$0
677	chocolate ash, matte sheen <input type="checkbox"/>	+\$0
678	natural oak <input type="checkbox"/>	+\$0
68R	recograin rosewood <input type="checkbox"/>	+\$0
69A	recograin frosty ash <input type="checkbox"/>	+\$0
69R	recograin rosewood <input type="checkbox"/>	+\$0
69T	recograin teak <input type="checkbox"/>	+\$0
6A1	white ash <input type="checkbox"/>	+\$0
6K1	rift oak <input type="checkbox"/>	+\$0
6K6	burnt oak <input type="checkbox"/>	+\$0
ET	clear on ash <input type="checkbox"/>	+\$0
EU	oak on ash <input type="checkbox"/>	+\$0
EV	walnut on ash <input type="checkbox"/>	+\$0
GOU	natural walnut, flat cut, matte sheen <input type="checkbox"/>	+\$0

RecoGrain Veneer

For two 15" file drawers (-CF) with two 15" file drawers (CF) with two 15" file drawers (CF)

68W	recograin walnut, flat cut, matte sheen <input type="checkbox"/>	-\$547
69K	recograin oak, quarter cut, matte sheen <input type="checkbox"/>	-\$547
69W	recograin walnut, quarter cut, matte sheen <input type="checkbox"/>	-\$547

Recon Veneer -

For two 15" file drawers (-CF) with two 15" file drawers (CF) with two 15" file drawers (CF)

98W	recograin walnut, flat cut, low sheen <input type="checkbox"/>	-\$547
99K	recograin oak, quarter cut, low sheen <input type="checkbox"/>	-\$547
99W	recograin walnut, quarter cut, low sheen <input type="checkbox"/>	-\$547

Premium Veneer - Low Sheen

For one file drawer (-CH) with one file drawer (CH) with double doors left, 30" box/file right (CH)

931	champagne anigre (natural) <input type="checkbox"/>	+\$4260
932	sundance anigre <input type="checkbox"/>	+\$4260
933	caramel anigre <input type="checkbox"/>	+\$4260
934	henna anigre <input type="checkbox"/>	+\$4260
941	natural beech <input type="checkbox"/>	+\$0
942	sundance cherry (natural) <input type="checkbox"/>	+\$0
943	caramel cherry <input type="checkbox"/>	+\$0
946	cocoa cherry <input type="checkbox"/>	+\$0
951	natural anigre <input type="checkbox"/>	+\$4260
956	cocoa sapele <input type="checkbox"/>	+\$0
962	toasted walnut, low sheen <input type="checkbox"/>	+\$0
963	charred walnut, low sheen <input type="checkbox"/>	+\$0
964	bronzed walnut, low sheen <input type="checkbox"/>	+\$0
965	smoked walnut, low sheen <input type="checkbox"/>	+\$0
966	coffee walnut, low sheen <input type="checkbox"/>	+\$0
967	smoked paldao, low sheen <input type="checkbox"/>	+\$1598
969	warm paldao, low sheen <input type="checkbox"/>	+\$1598
977	chocolate ash, low sheen <input type="checkbox"/>	+\$0
978	natural oak <input type="checkbox"/>	+\$0
981	champagne hickory (natural) <input type="checkbox"/>	+\$0
98R	recograin rosewood <input type="checkbox"/>	+\$0
991	champagne ash <input type="checkbox"/>	+\$0
998	ebony ash <input type="checkbox"/>	+\$0
99A	recograin frosty ash <input type="checkbox"/>	+\$0
99R	recograin rosewood <input type="checkbox"/>	+\$0
99T	recograin teak <input type="checkbox"/>	+\$0
9A1	white ash, quarter cut, low sheen <input type="checkbox"/>	+\$0
9K1	rift oak, rift cut, low sheen <input type="checkbox"/>	+\$0
9K6	burnt oak, rift cut, low sheen <input type="checkbox"/>	+\$0
G2U	light brown walnut, low sheen <input type="checkbox"/>	+\$0
G40	dark brown walnut, low sheen <input type="checkbox"/>	+\$0

H-Frame Credenza Three Units

Wide *continued*

Premium Veneer - Matte

For one file drawer (-CH) with one file drawer (CH) with double doors left, 30" box/file right (CH)

662	toasted walnut, matte sheen <input type="checkbox"/>	+\$0
663	charred walnut, matte sheen <input type="checkbox"/>	+\$0
664	bronzed walnut, matte sheen <input type="checkbox"/>	+\$0
665	smoked walnut, matte sheen <input type="checkbox"/>	+\$0
666	coffee walnut, matte sheen <input type="checkbox"/>	+\$0
667	smoked paldao, quarter cut, matte sheen <input type="checkbox"/>	+\$1598
669	warm paldao, quarter cut, matte sheen <input type="checkbox"/>	+\$1598
66A	recograin frosty ash <input type="checkbox"/>	+\$0
677	chocolate ash, matte sheen <input type="checkbox"/>	+\$0
678	natural oak <input type="checkbox"/>	+\$0
68R	recograin rosewood <input type="checkbox"/>	+\$0
69A	recograin frosty ash <input type="checkbox"/>	+\$0
69R	recograin rosewood <input type="checkbox"/>	+\$0
69T	recograin teak <input type="checkbox"/>	+\$0
6A1	white ash <input type="checkbox"/>	+\$0
6K1	rift oak <input type="checkbox"/>	+\$0
6K6	burnt oak <input type="checkbox"/>	+\$0
ET	clear on ash <input type="checkbox"/>	+\$0
EU	oak on ash <input type="checkbox"/>	+\$0
EV	walnut on ash <input type="checkbox"/>	+\$0
GOU	natural walnut, flat cut, matte sheen <input type="checkbox"/>	+\$0

RecoGrain Veneer

For one file drawer (-CH) with one file drawer (CH) with double doors left, 30" box/file right (CH)

68W	recograin walnut, flat cut, matte sheen <input type="checkbox"/>	-\$533
69K	recograin oak, quarter cut, matte sheen <input type="checkbox"/>	-\$533
69W	recograin walnut, quarter cut, matte sheen <input type="checkbox"/>	-\$533

Recon Veneer -

For one file drawer (-CH) with one file drawer (CH) with double doors left, 30" box/file right (CH)

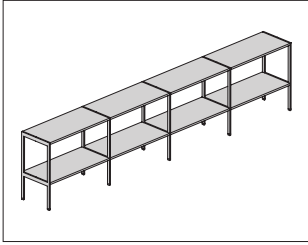
98W	recograin walnut, flat cut, low sheen <input type="checkbox"/>	-\$533
99K	recograin oak, quarter cut, low sheen <input type="checkbox"/>	-\$533
99W	recograin walnut, quarter cut, low sheen <input type="checkbox"/>	-\$533

Step 7. Metal Finish

CHR	chrome <input type="checkbox"/>	+\$0
SAC	satin chrome <input type="checkbox"/>	+\$0

H-Frame Credenza Four Units Wide

JCH4-



HermanMiller Ancillary-Storage

Product Information

Description

This four-unit wide H-frame credenza has a wooden top and includes 1/2"-thick metal frame gables on the ends. H-frame credenzas are modular and shipped partially assembled.

Notes

All hardware for assembly is included.

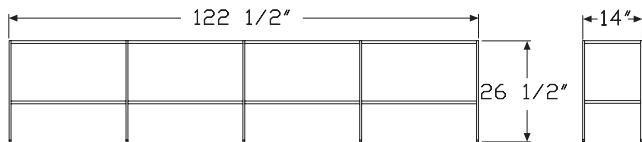
Drawer credenzas include wood boxes and self-closing hidden drawer slides.

CG six box drawer credenza includes pencil trays and felt lining in bottom of top two drawers.

When applicable, Ward Bennett Flip pulls come in matching metal finish.

Santos palisander veneer is celebrated for its unique grain and color variations. Similar products ordered in multiples or dissimilar products ordered separately should be expected to have variation in both grain and color characteristics; no two products will look exactly alike.

Dimensions



Specification Information

Step 1.

JCH4

Step 2. Size

-14123 14" deep x 122 1/2" wide x 26 1/2" high

Step 3. Configuration - left unit

-C1 open shelf

-C2 two doors

-CF two 15" file drawers

-CH one file drawer

Step 4. Configuration - left center unit

For open shelf (-C1)

C1 open shelf

CG six box drawers (top two pencil trays)

For two doors (-C2)

C2 two doors

For two 15" file drawers (-CF)

CF two 15" file drawers

For one file drawer (-CH)

CH one file drawer

Step 5. Configuration - right center unit

For open shelf (-C1) with open shelf (C1)

C1 open shelf

C2 two doors

CG six box drawers (top two pencil trays)

For open shelf (-C1) with six box drawers (top two pencil trays) (CG)

CF two 15" file drawers

For two doors (-C2) with two doors (C2)

C2 two doors

For two 15" file drawers (-CF) with two 15" file drawers (CF)

CF two 15" file drawers

For one file drawer (-CH) with one file drawer (CH)

CH one file drawer

H-Frame Credenza Four Units

Wide *continued*

Step 6. Configuration - right unit

For open shelf (-C1) with open shelf (C1) with open shelf (C1)

C1 open shelf

For open shelf (-C1) with open shelf (C1) with two doors (C2)

C2 two doors

For open shelf (-C1) with open shelf (C1) with six box drawers (top two pencil trays) (CG)

C2 two doors

For open shelf (-C1) with six box drawers (top two pencil trays) (CG) with two 15" file drawers (CF)

C2 two doors

For two doors (-C2) with two doors (C2) with two doors (C2)

C2 two doors

For two 15" file drawers (-CF) with two 15" file drawers (CF) with two 15" file drawers (CF)

CF two 15" file drawers

For one file drawer (-CH) with one file drawer (CH) with one file drawer (CH)

CH double doors left, 30" box/file right

Prices for Steps 1-6.

		C1C1	C1C2	CFCF	CFC2	CHCH	C2C2
JCH4-14123	-C1 C1	\$13780	—	—	—	—	17435
	CG	—	—	-\$22475	—	—	—
	-C2 C2	—	—	—	—	—	—
							\$21086
	-CF CF	—	—	-\$22596	—	—	—
	-CH CH	—	—	—	—	-\$22020	—
							CGCF CGC2
JCH4-14123	-C1 C1						—
							\$20267

Step 7. Wood Finish

Premium Veneer - Low Sheen

For open shelf (-C1) with open shelf (C1) with open shelf (C1) with open shelf (C1)

931	champagne anigre (natural) <input type="checkbox"/>	+\$3503
932	sundance anigre <input type="checkbox"/>	+\$3503
933	caramel anigre <input type="checkbox"/>	+\$3503
934	henna anigre <input type="checkbox"/>	+\$3503
941	natural beech <input type="checkbox"/>	+\$0
942	sundance cherry (natural) <input type="checkbox"/>	+\$0
943	caramel cherry <input type="checkbox"/>	+\$0
946	cocoa cherry <input type="checkbox"/>	+\$0
951	natural anigre <input type="checkbox"/>	+\$3503
956	cocoa sapele <input type="checkbox"/>	+\$0
962	toasted walnut, low sheen <input type="checkbox"/>	+\$0
963	charred walnut, low sheen <input type="checkbox"/>	+\$0
964	bronzed walnut, low sheen <input type="checkbox"/>	+\$0
965	smoked walnut, low sheen <input type="checkbox"/>	+\$0
966	coffee walnut, low sheen <input type="checkbox"/>	+\$0
967	smoked paldao, low sheen <input type="checkbox"/>	+\$1314
969	warm paldao, low sheen <input type="checkbox"/>	+\$1314
977	chocolate ash, low sheen <input type="checkbox"/>	+\$0
978	natural oak <input type="checkbox"/>	+\$0
981	champagne hickory (natural) <input type="checkbox"/>	+\$0
98R	recograin rosewood <input type="checkbox"/>	+\$0
991	champagne ash <input type="checkbox"/>	+\$0
998	ebony ash <input type="checkbox"/>	+\$0
99A	recograin frosty ash <input type="checkbox"/>	+\$0
99R	recograin rosewood <input type="checkbox"/>	+\$0
99T	recograin teak <input type="checkbox"/>	+\$0
9A1	white ash, quarter cut, low sheen <input type="checkbox"/>	+\$0
9K1	rift oak, rift cut, low sheen <input type="checkbox"/>	+\$0
9K6	burnt oak, rift cut, low sheen <input type="checkbox"/>	+\$0
G2U	light brown walnut, low sheen <input type="checkbox"/>	+\$0
G40	dark brown walnut, low sheen <input type="checkbox"/>	+\$0

H-Frame Credenza Four Units

Wide *continued*

Premium Veneer - Matte

For open shelf (-C1) with open shelf (C1) with open shelf (C1) with open shelf (C1)

662	toasted walnut, matte sheen <input type="checkbox"/>	+\$0
663	charred walnut, matte sheen <input type="checkbox"/>	+\$0
664	bronzed walnut, matte sheen <input type="checkbox"/>	+\$0
665	smoked walnut, matte sheen <input type="checkbox"/>	+\$0
666	coffee walnut, matte sheen <input type="checkbox"/>	+\$0
667	smoked paldao, quarter cut, matte sheen <input type="checkbox"/>	+\$1314
669	warm paldao, quarter cut, matte sheen <input type="checkbox"/>	+\$1314
66A	recograin frosty ash <input type="checkbox"/>	+\$0
677	chocolate ash, matte sheen <input type="checkbox"/>	+\$0
678	natural oak <input type="checkbox"/>	+\$0
68R	recograin rosewood <input type="checkbox"/>	+\$0
69A	recograin frosty ash <input type="checkbox"/>	+\$0
69R	recograin rosewood <input type="checkbox"/>	+\$0
69T	recograin teak <input type="checkbox"/>	+\$0
6A1	white ash <input type="checkbox"/>	+\$0
6K1	rift oak <input type="checkbox"/>	+\$0
6K6	burnt oak <input type="checkbox"/>	+\$0
ET	clear on ash <input type="checkbox"/>	+\$0
EU	oak on ash <input type="checkbox"/>	+\$0
EV	walnut on ash <input type="checkbox"/>	+\$0
GOU	natural walnut, flat cut, matte sheen <input type="checkbox"/>	+\$0

RecoGrain Veneer

For open shelf (-C1) with open shelf (C1) with open shelf (C1) with open shelf (C1)

68W	recograin walnut, flat cut, matte sheen <input type="checkbox"/>	-\$438
69K	recograin oak, quarter cut, matte sheen <input type="checkbox"/>	-\$438
69W	recograin walnut, quarter cut, matte sheen <input type="checkbox"/>	-\$438

Recon Veneer -

For open shelf (-C1) with open shelf (C1) with open shelf (C1) with open shelf (C1)

98W	recograin walnut, flat cut, low sheen <input type="checkbox"/>	-\$438
99K	recograin oak, quarter cut, low sheen <input type="checkbox"/>	-\$438
99W	recograin walnut, quarter cut, low sheen <input type="checkbox"/>	-\$438

Premium Veneer - Low Sheen

For open shelf (-C1) with open shelf (C1) with two doors (C2) with two doors (C2)

931	champagne anigre (natural) <input type="checkbox"/>	+\$4433
932	sundance anigre <input type="checkbox"/>	+\$4433
933	caramel anigre <input type="checkbox"/>	+\$4433
934	henna anigre <input type="checkbox"/>	+\$4433
941	natural beech <input type="checkbox"/>	+\$0
942	sundance cherry (natural) <input type="checkbox"/>	+\$0
943	caramel cherry <input type="checkbox"/>	+\$0
946	cocoa cherry <input type="checkbox"/>	+\$0
951	natural anigre <input type="checkbox"/>	+\$4433
956	cocoa sapele <input type="checkbox"/>	+\$0
962	toasted walnut, low sheen <input type="checkbox"/>	+\$0
963	charred walnut, low sheen <input type="checkbox"/>	+\$0
964	bronzed walnut, low sheen <input type="checkbox"/>	+\$0
965	smoked walnut, low sheen <input type="checkbox"/>	+\$0
966	coffee walnut, low sheen <input type="checkbox"/>	+\$0
967	smoked paldao, low sheen <input type="checkbox"/>	+\$1663
969	warm paldao, low sheen <input type="checkbox"/>	+\$1663
977	chocolate ash, low sheen <input type="checkbox"/>	+\$0
978	natural oak <input type="checkbox"/>	+\$0
981	champagne hickory (natural) <input type="checkbox"/>	+\$0
98R	recograin rosewood <input type="checkbox"/>	+\$0
991	champagne ash <input type="checkbox"/>	+\$0
998	ebony ash <input type="checkbox"/>	+\$0
99A	recograin frosty ash <input type="checkbox"/>	+\$0
99R	recograin rosewood <input type="checkbox"/>	+\$0
99T	recograin teak <input type="checkbox"/>	+\$0
9A1	white ash, quarter cut, low sheen <input type="checkbox"/>	+\$0
9K1	rift oak, rift cut, low sheen <input type="checkbox"/>	+\$0
9K6	burnt oak, rift cut, low sheen <input type="checkbox"/>	+\$0
G2U	light brown walnut, low sheen <input type="checkbox"/>	+\$0
G40	dark brown walnut, low sheen <input type="checkbox"/>	+\$0

H-Frame Credenza Four Units

Wide *continued*

Premium Veneer - Matte

For open shelf (-C1) with open shelf (C1) with two doors (C2) with two doors (C2)

662	toasted walnut, matte sheen <input type="checkbox"/>	+\$0
663	charred walnut, matte sheen <input type="checkbox"/>	+\$0
664	bronzed walnut, matte sheen <input type="checkbox"/>	+\$0
665	smoked walnut, matte sheen <input type="checkbox"/>	+\$0
666	coffee walnut, matte sheen <input type="checkbox"/>	+\$0
667	smoked paldao, quarter cut, matte sheen <input type="checkbox"/>	+\$1663
669	warm paldao, quarter cut, matte sheen <input type="checkbox"/>	+\$1663
66A	recograin frosty ash <input type="checkbox"/>	+\$0
677	chocolate ash, matte sheen <input type="checkbox"/>	+\$0
678	natural oak <input type="checkbox"/>	+\$0
68R	recograin rosewood <input type="checkbox"/>	+\$0
69A	recograin frosty ash <input type="checkbox"/>	+\$0
69R	recograin rosewood <input type="checkbox"/>	+\$0
69T	recograin teak <input type="checkbox"/>	+\$0
6A1	white ash <input type="checkbox"/>	+\$0
6K1	rift oak <input type="checkbox"/>	+\$0
6K6	burnt oak <input type="checkbox"/>	+\$0
ET	clear on ash <input type="checkbox"/>	+\$0
EU	oak on ash <input type="checkbox"/>	+\$0
EV	walnut on ash <input type="checkbox"/>	+\$0
GOU	natural walnut, flat cut, matte sheen <input type="checkbox"/>	+\$0

RecoGrain Veneer

For open shelf (-C1) with open shelf (C1) with two doors (C2) with two doors (C2)

68W	recograin walnut, flat cut, matte sheen <input type="checkbox"/>	-\$555
69K	recograin oak, quarter cut, matte sheen <input type="checkbox"/>	-\$555
69W	recograin walnut, quarter cut, matte sheen <input type="checkbox"/>	-\$555

Recon Veneer -

For open shelf (-C1) with open shelf (C1) with two doors (C2) with two doors (C2)

98W	recograin walnut, flat cut, low sheen <input type="checkbox"/>	-\$555
99K	recograin oak, quarter cut, low sheen <input type="checkbox"/>	-\$555
99W	recograin walnut, quarter cut, low sheen <input type="checkbox"/>	-\$555

Premium Veneer - Low Sheen

For open shelf (-C1) with open shelf (C1) with six box drawers (top two pencil trays) (CG) with two doors (C2)

931	champagne anigre (natural) <input type="checkbox"/>	+\$5153
932	sundance anigre <input type="checkbox"/>	+\$5153
933	caramel anigre <input type="checkbox"/>	+\$5153
934	henna anigre <input type="checkbox"/>	+\$5153
941	natural beech <input type="checkbox"/>	+\$0
942	sundance cherry (natural) <input type="checkbox"/>	+\$0
943	caramel cherry <input type="checkbox"/>	+\$0
946	cocoa cherry <input type="checkbox"/>	+\$0
951	natural anigre <input type="checkbox"/>	+\$5153
956	cocoa sapele <input type="checkbox"/>	+\$0
962	toasted walnut, low sheen <input type="checkbox"/>	+\$0
963	charred walnut, low sheen <input type="checkbox"/>	+\$0
964	bronzed walnut, low sheen <input type="checkbox"/>	+\$0
965	smoked walnut, low sheen <input type="checkbox"/>	+\$0
966	coffee walnut, low sheen <input type="checkbox"/>	+\$0
967	smoked paldao, low sheen <input type="checkbox"/>	+\$1933
969	warm paldao, low sheen <input type="checkbox"/>	+\$1933
977	chocolate ash, low sheen <input type="checkbox"/>	+\$0
978	natural oak <input type="checkbox"/>	+\$0
981	champagne hickory (natural) <input type="checkbox"/>	+\$0
98R	recograin rosewood <input type="checkbox"/>	+\$0
991	champagne ash <input type="checkbox"/>	+\$0
998	ebony ash <input type="checkbox"/>	+\$0
99A	recograin frosty ash <input type="checkbox"/>	+\$0
99R	recograin rosewood <input type="checkbox"/>	+\$0
99T	recograin teak <input type="checkbox"/>	+\$0
9A1	white ash, quarter cut, low sheen <input type="checkbox"/>	+\$0
9K1	rift oak, rift cut, low sheen <input type="checkbox"/>	+\$0
9K6	burnt oak, rift cut, low sheen <input type="checkbox"/>	+\$0
G2U	light brown walnut, low sheen <input type="checkbox"/>	+\$0
G40	dark brown walnut, low sheen <input type="checkbox"/>	+\$0

H-Frame Credenza Four Units

Wide *continued*

Premium Veneer - Matte

For open shelf (-C1) with open shelf (C1) with six box drawers (top two pencil trays) (CG) with two doors (C2)

662	toasted walnut, matte sheen <input type="checkbox"/>	+\$0
663	charred walnut, matte sheen <input type="checkbox"/>	+\$0
664	bronzed walnut, matte sheen <input type="checkbox"/>	+\$0
665	smoked walnut, matte sheen <input type="checkbox"/>	+\$0
666	coffee walnut, matte sheen <input type="checkbox"/>	+\$0
667	smoked paldao, quarter cut, matte sheen <input type="checkbox"/>	+\$1933
669	warm paldao, quarter cut, matte sheen <input type="checkbox"/>	+\$1933
66A	recograin frosty ash <input type="checkbox"/>	+\$0
677	chocolate ash, matte sheen <input type="checkbox"/>	+\$0
678	natural oak <input type="checkbox"/>	+\$0
68R	recograin rosewood <input type="checkbox"/>	+\$0
69A	recograin frosty ash <input type="checkbox"/>	+\$0
69R	recograin rosewood <input type="checkbox"/>	+\$0
69T	recograin teak <input type="checkbox"/>	+\$0
6A1	white ash <input type="checkbox"/>	+\$0
6K1	rift oak <input type="checkbox"/>	+\$0
6K6	burnt oak <input type="checkbox"/>	+\$0
ET	clear on ash <input type="checkbox"/>	+\$0
EU	oak on ash <input type="checkbox"/>	+\$0
EV	walnut on ash <input type="checkbox"/>	+\$0
GOU	natural walnut, flat cut, matte sheen <input type="checkbox"/>	+\$0

RecoGrain Veneer

For open shelf (-C1) with open shelf (C1) with six box drawers (top two pencil trays) (CG) with two doors (C2)

68W	recograin walnut, flat cut, matte sheen <input type="checkbox"/>	-\$645
69K	recograin oak, quarter cut, matte sheen <input type="checkbox"/>	-\$645
69W	recograin walnut, quarter cut, matte sheen <input type="checkbox"/>	-\$645

Recon Veneer -

For open shelf (-C1) with open shelf (C1) with six box drawers (top two pencil trays) (CG) with two doors (C2)

98W	recograin walnut, flat cut, low sheen <input type="checkbox"/>	-\$645
99K	recograin oak, quarter cut, low sheen <input type="checkbox"/>	-\$645
99W	recograin walnut, quarter cut, low sheen <input type="checkbox"/>	-\$645

Premium Veneer - Low Sheen

For open shelf (-C1) with six box drawers (top two pencil trays) (CG) with two 15" file drawers (CF) with two doors (C2)

931	champagne anigre (natural) <input type="checkbox"/>	+\$5714
932	sundance anigre <input type="checkbox"/>	+\$5714
933	caramel anigre <input type="checkbox"/>	+\$5714
941	natural beech <input type="checkbox"/>	+\$0
942	sundance cherry (natural) <input type="checkbox"/>	+\$0
943	caramel cherry <input type="checkbox"/>	+\$0
946	cocoa cherry <input type="checkbox"/>	+\$0
951	natural anigre <input type="checkbox"/>	+\$5714
956	cocoa sapele <input type="checkbox"/>	+\$0
962	toasted walnut, low sheen <input type="checkbox"/>	+\$0
963	charred walnut, low sheen <input type="checkbox"/>	+\$0
964	bronzed walnut, low sheen <input type="checkbox"/>	+\$0
965	smoked walnut, low sheen <input type="checkbox"/>	+\$0
966	coffee walnut, low sheen <input type="checkbox"/>	+\$0
967	smoked paldao, low sheen <input type="checkbox"/>	+\$2143
969	warm paldao, low sheen <input type="checkbox"/>	+\$2143
977	chocolate ash, low sheen <input type="checkbox"/>	+\$0
978	natural oak <input type="checkbox"/>	+\$0
981	champagne hickory (natural) <input type="checkbox"/>	+\$0
98R	recograin rosewood <input type="checkbox"/>	+\$0
991	champagne ash <input type="checkbox"/>	+\$0
998	ebony ash <input type="checkbox"/>	+\$0
99A	recograin frosty ash <input type="checkbox"/>	+\$0
99R	recograin rosewood <input type="checkbox"/>	+\$0
99T	recograin teak <input type="checkbox"/>	+\$0
9A1	white ash, quarter cut, low sheen <input type="checkbox"/>	+\$0
9K1	rift oak, rift cut, low sheen <input type="checkbox"/>	+\$0
9K6	burnt oak, rift cut, low sheen <input type="checkbox"/>	+\$0
G2U	light brown walnut, low sheen <input type="checkbox"/>	+\$0
G40	dark brown walnut, low sheen <input type="checkbox"/>	+\$0

H-Frame Credenza Four Units

Wide *continued*

Premium Veneer - Matte

For open shelf (-C1) with six box drawers (top two pencil trays) (CG) with two 15" file drawers (CF) with two doors (C2)

662	toasted walnut, matte sheen <input type="checkbox"/>	+\$0
663	charred walnut, matte sheen <input type="checkbox"/>	+\$0
664	bronzed walnut, matte sheen <input type="checkbox"/>	+\$0
665	smoked walnut, matte sheen <input type="checkbox"/>	+\$0
666	coffee walnut, matte sheen <input type="checkbox"/>	+\$0
667	smoked paldao, quarter cut, matte sheen <input type="checkbox"/>	+\$2143
669	warm paldao, quarter cut, matte sheen <input type="checkbox"/>	+\$2143
66A	recograin frosty ash <input type="checkbox"/>	+\$0
677	chocolate ash, matte sheen <input type="checkbox"/>	+\$0
678	natural oak <input type="checkbox"/>	+\$0
68R	recograin rosewood <input type="checkbox"/>	+\$0
69A	recograin frosty ash <input type="checkbox"/>	+\$0
69R	recograin rosewood <input type="checkbox"/>	+\$0
69T	recograin teak <input type="checkbox"/>	+\$0
6A1	white ash <input type="checkbox"/>	+\$0
6K1	rift oak <input type="checkbox"/>	+\$0
6K6	burnt oak <input type="checkbox"/>	+\$0
ET	clear on ash <input type="checkbox"/>	+\$0
EU	oak on ash <input type="checkbox"/>	+\$0
EV	walnut on ash <input type="checkbox"/>	+\$0
GOU	natural walnut, flat cut, matte sheen <input type="checkbox"/>	+\$0

RecoGrain Veneer

For open shelf (-C1) with six box drawers (top two pencil trays) (CG) with two 15" file drawers (CF) with two doors (C2)

68W	recograin walnut, flat cut, matte sheen <input type="checkbox"/>	-\$715
69K	recograin oak, quarter cut, matte sheen <input type="checkbox"/>	-\$715
69W	recograin walnut, quarter cut, matte sheen <input type="checkbox"/>	-\$715

Recon Veneer -

For open shelf (-C1) with six box drawers (top two pencil trays) (CG) with two 15" file drawers (CF) with two doors (C2)

98W	recograin walnut, flat cut, low sheen <input type="checkbox"/>	-\$715
99K	recograin oak, quarter cut, low sheen <input type="checkbox"/>	-\$715
99W	recograin walnut, quarter cut, low sheen <input type="checkbox"/>	-\$715

Premium Veneer - Low Sheen

For two doors (-C2) with two doors (C2) with two doors (C2) with two doors (C2)

931	champagne anigre (natural) <input type="checkbox"/>	+\$5361
932	sundance anigre <input type="checkbox"/>	+\$5361
933	caramel anigre <input type="checkbox"/>	+\$5361
934	henna anigre <input type="checkbox"/>	+\$5361
941	natural beech <input type="checkbox"/>	+\$0
942	sundance cherry (natural) <input type="checkbox"/>	+\$0
943	caramel cherry <input type="checkbox"/>	+\$0
946	cocoa cherry <input type="checkbox"/>	+\$0
951	natural anigre <input type="checkbox"/>	+\$5361
956	cocoa sapele <input type="checkbox"/>	+\$0
962	toasted walnut, low sheen <input type="checkbox"/>	+\$0
963	charred walnut, low sheen <input type="checkbox"/>	+\$0
964	bronzed walnut, low sheen <input type="checkbox"/>	+\$0
965	smoked walnut, low sheen <input type="checkbox"/>	+\$0
966	coffee walnut, low sheen <input type="checkbox"/>	+\$0
967	smoked paldao, low sheen <input type="checkbox"/>	+\$2011
969	warm paldao, low sheen <input type="checkbox"/>	+\$2011
977	chocolate ash, low sheen <input type="checkbox"/>	+\$0
978	natural oak <input type="checkbox"/>	+\$0
981	champagne hickory (natural) <input type="checkbox"/>	+\$0
98R	recograin rosewood <input type="checkbox"/>	+\$0
991	champagne ash <input type="checkbox"/>	+\$0
998	ebony ash <input type="checkbox"/>	+\$0
99A	recograin frosty ash <input type="checkbox"/>	+\$0
99R	recograin rosewood <input type="checkbox"/>	+\$0
99T	recograin teak <input type="checkbox"/>	+\$0
9A1	white ash, quarter cut, low sheen <input type="checkbox"/>	+\$0
9K1	rift oak, rift cut, low sheen <input type="checkbox"/>	+\$0
9K6	burnt oak, rift cut, low sheen <input type="checkbox"/>	+\$0
G2U	light brown walnut, low sheen <input type="checkbox"/>	+\$0
G40	dark brown walnut, low sheen <input type="checkbox"/>	+\$0

HermanMiller Ancillary-Storage

H-Frame Credenza Four Units

Wide *continued*

Premium Veneer - Matte

For two doors (-C2) with two doors (C2) with two doors (C2) with two doors (C2)

662	toasted walnut, matte sheen <input type="checkbox"/>	+\$0
663	charred walnut, matte sheen <input type="checkbox"/>	+\$0
664	bronzed walnut, matte sheen <input type="checkbox"/>	+\$0
665	smoked walnut, matte sheen <input type="checkbox"/>	+\$0
666	coffee walnut, matte sheen <input type="checkbox"/>	+\$0
667	smoked paldao, quarter cut, matte sheen <input type="checkbox"/>	+\$2011
669	warm paldao, quarter cut, matte sheen <input type="checkbox"/>	+\$2011
66A	recograin frosty ash <input type="checkbox"/>	+\$0
677	chocolate ash, matte sheen <input type="checkbox"/>	+\$0
678	natural oak <input type="checkbox"/>	+\$0
68R	recograin rosewood <input type="checkbox"/>	+\$0
69A	recograin frosty ash <input type="checkbox"/>	+\$0
69R	recograin rosewood <input type="checkbox"/>	+\$0
69T	recograin teak <input type="checkbox"/>	+\$0
6A1	white ash <input type="checkbox"/>	+\$0
6K1	rift oak <input type="checkbox"/>	+\$0
6K6	burnt oak <input type="checkbox"/>	+\$0
ET	clear on ash <input type="checkbox"/>	+\$0
EU	oak on ash <input type="checkbox"/>	+\$0
EV	walnut on ash <input type="checkbox"/>	+\$0
GOU	natural walnut, flat cut, matte sheen <input type="checkbox"/>	+\$0

RecoGrain Veneer

For two doors (-C2) with two doors (C2) with two doors (C2) with two doors (C2)

68W	recograin walnut, flat cut, matte sheen <input type="checkbox"/>	-\$671
69K	recograin oak, quarter cut, matte sheen <input type="checkbox"/>	-\$671
69W	recograin walnut, quarter cut, matte sheen <input type="checkbox"/>	-\$671

Recon Veneer -

For two doors (-C2) with two doors (C2) with two doors (C2) with two doors (C2)

98W	recograin walnut, flat cut, low sheen <input type="checkbox"/>	-\$671
99K	recograin oak, quarter cut, low sheen <input type="checkbox"/>	-\$671
99W	recograin walnut, quarter cut, low sheen <input type="checkbox"/>	-\$671

Premium Veneer - Low Sheen

For two 15" file drawers (-CF) with two 15" file drawers (CF) with two 15" file drawers (CF) with two 15" file drawers (CF)

931	champagne anigre (natural) <input type="checkbox"/>	+\$5746
932	sundance anigre <input type="checkbox"/>	+\$5746
933	caramel anigre <input type="checkbox"/>	+\$5746
934	henna anigre <input type="checkbox"/>	+\$5746
941	natural beech <input type="checkbox"/>	+\$0
942	sundance cherry (natural) <input type="checkbox"/>	+\$0
943	caramel cherry <input type="checkbox"/>	+\$0
946	cocoa cherry <input type="checkbox"/>	+\$0
951	natural anigre <input type="checkbox"/>	+\$5746
956	cocoa sapele <input type="checkbox"/>	+\$0
962	toasted walnut, low sheen <input type="checkbox"/>	+\$0
963	charred walnut, low sheen <input type="checkbox"/>	+\$0
964	bronzed walnut, low sheen <input type="checkbox"/>	+\$0
965	smoked walnut, low sheen <input type="checkbox"/>	+\$0
966	coffee walnut, low sheen <input type="checkbox"/>	+\$0
967	smoked paldao, low sheen <input type="checkbox"/>	+\$2155
969	warm paldao, low sheen <input type="checkbox"/>	+\$2155
977	chocolate ash, low sheen <input type="checkbox"/>	+\$0
978	natural oak <input type="checkbox"/>	+\$0
981	champagne hickory (natural) <input type="checkbox"/>	+\$0
98R	recograin rosewood <input type="checkbox"/>	+\$0
991	champagne ash <input type="checkbox"/>	+\$0
998	ebony ash <input type="checkbox"/>	+\$0
99A	recograin frosty ash <input type="checkbox"/>	+\$0
99R	recograin rosewood <input type="checkbox"/>	+\$0
99T	recograin teak <input type="checkbox"/>	+\$0
9A1	white ash, quarter cut, low sheen <input type="checkbox"/>	+\$0
9K1	rift oak, rift cut, low sheen <input type="checkbox"/>	+\$0
9K6	burnt oak, rift cut, low sheen <input type="checkbox"/>	+\$0
G2U	light brown walnut, low sheen <input type="checkbox"/>	+\$0
G40	dark brown walnut, low sheen <input type="checkbox"/>	+\$0

H-Frame Credenza Four Units

Wide *continued*

Premium Veneer - Matte

For two 15" file drawers (-CF) with two 15" file drawers (CF) with two 15" file drawers (CF) with two 15" file drawers (CF)

662	toasted walnut, matte sheen [A]	+\$0
663	charred walnut, matte sheen [A]	+\$0
664	bronzed walnut, matte sheen [A]	+\$0
665	smoked walnut, matte sheen [A]	+\$0
666	coffee walnut, matte sheen [A]	+\$0
667	smoked paldao, quarter cut, matte sheen [A]	+\$2155
669	warm paldao, quarter cut, matte sheen [A]	+\$2155
66A	recograin frosty ash [A]	+\$0
677	chocolate ash, matte sheen [A]	+\$0
678	natural oak [A]	+\$0
68R	recograin rosewood [A]	+\$0
69A	recograin frosty ash [A]	+\$0
69R	recograin rosewood [A]	+\$0
69T	recograin teak [A]	+\$0
6A1	white ash [A]	+\$0
6K1	rift oak [A]	+\$0
6K6	burnt oak [A]	+\$0
ET	clear on ash [A]	+\$0
EU	oak on ash [A]	+\$0
EV	walnut on ash [A]	+\$0
GOU	natural walnut, flat cut, matte sheen [A]	+\$0

RecoGrain Veneer

For two 15" file drawers (-CF) with two 15" file drawers (CF) with two 15" file drawers (CF) with two 15" file drawers (CF)

68W	recograin walnut, flat cut, matte sheen [A]	-\$719
69K	recograin oak, quarter cut, matte sheen [A]	-\$719
69W	recograin walnut, quarter cut, matte sheen [A]	-\$719

Recon Veneer -

For two 15" file drawers (-CF) with two 15" file drawers (CF) with two 15" file drawers (CF) with two 15" file drawers (CF)

98W	recograin walnut, flat cut, low sheen [A]	-\$719
99K	recograin oak, quarter cut, low sheen [A]	-\$719
99W	recograin walnut, quarter cut, low sheen [A]	-\$719

Premium Veneer - Low Sheen

For one file drawer (-CH) with one file drawer (CH) with one file drawer (CH) with double doors left, 30" box/file right (CH)

931	champagne anigre (natural) [A]	+\$5598
932	sundance anigre [A]	+\$5598
933	caramel anigre [A]	+\$5598
934	henna anigre [A]	+\$5598
941	natural beech [A]	+\$0
942	sundance cherry (natural) [A]	+\$0
943	caramel cherry [A]	+\$0
946	cocoa cherry [A]	+\$0
951	natural anigre [A]	+\$5598
956	cocoa sapele [A]	+\$0
962	toasted walnut, low sheen [A]	+\$0
963	charred walnut, low sheen [A]	+\$0
964	bronzed walnut, low sheen [A]	+\$0
965	smoked walnut, low sheen [A]	+\$0
966	coffee walnut, low sheen [A]	+\$0
967	smoked paldao, low sheen [A]	+\$2100
969	warm paldao, low sheen [A]	+\$2100
977	chocolate ash, low sheen [A]	+\$0
978	natural oak [A]	+\$0
981	champagne hickory (natural) [A]	+\$0
98R	recograin rosewood [A]	+\$0
991	champagne ash [A]	+\$0
998	ebony ash [A]	+\$0
99A	recograin frosty ash [A]	+\$0
99R	recograin rosewood [A]	+\$0
99T	recograin teak [A]	+\$0
9A1	white ash, quarter cut, low sheen [A]	+\$0
9K1	rift oak, rift cut, low sheen [A]	+\$0
9K6	burnt oak, rift cut, low sheen [A]	+\$0
G2U	light brown walnut, low sheen [A]	+\$0
G40	dark brown walnut, low sheen [A]	+\$0

H-Frame Credenza Four Units

Wide *continued*

HermanMiller Ancillary-Storage

Premium Veneer - Matte

For one file drawer (-CH) with one file drawer (CH) with one file drawer (CH) with double doors left, 30" box/file right (CH)

662	toasted walnut, matte sheen <input type="checkbox"/>	+\$0
663	charred walnut, matte sheen <input type="checkbox"/>	+\$0
664	bronzed walnut, matte sheen <input type="checkbox"/>	+\$0
665	smoked walnut, matte sheen <input type="checkbox"/>	+\$0
666	coffee walnut, matte sheen <input type="checkbox"/>	+\$0
667	smoked paldao, quarter cut, matte sheen <input type="checkbox"/>	+\$2100
669	warm paldao, quarter cut, matte sheen <input type="checkbox"/>	+\$2100
66A	recograin frosty ash <input type="checkbox"/>	+\$0
677	chocolate ash, matte sheen <input type="checkbox"/>	+\$0
678	natural oak <input type="checkbox"/>	+\$0
68R	recograin rosewood <input type="checkbox"/>	+\$0
69A	recograin frosty ash <input type="checkbox"/>	+\$0
69R	recograin rosewood <input type="checkbox"/>	+\$0
69T	recograin teak <input type="checkbox"/>	+\$0
6A1	white ash <input type="checkbox"/>	+\$0
6K1	rift oak <input type="checkbox"/>	+\$0
6K6	burnt oak <input type="checkbox"/>	+\$0
ET	clear on ash <input type="checkbox"/>	+\$0
EU	oak on ash <input type="checkbox"/>	+\$0
EV	walnut on ash <input type="checkbox"/>	+\$0
GOU	natural walnut, flat cut, matte sheen <input type="checkbox"/>	+\$0

RecoGrain Veneer

For one file drawer (-CH) with one file drawer (CH) with one file drawer (CH) with double doors left, 30" box/file right (CH)

68W	recograin walnut, flat cut, matte sheen <input type="checkbox"/>	-\$700
69K	recograin oak, quarter cut, matte sheen <input type="checkbox"/>	-\$700
69W	recograin walnut, quarter cut, matte sheen <input type="checkbox"/>	-\$700

Recon Veneer -

For one file drawer (-CH) with one file drawer (CH) with one file drawer (CH) with double doors left, 30" box/file right (CH)

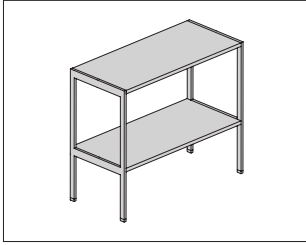
98W	recograin walnut, flat cut, low sheen <input type="checkbox"/>	-\$700
99K	recograin oak, quarter cut, low sheen <input type="checkbox"/>	-\$700
99W	recograin walnut, quarter cut, low sheen <input type="checkbox"/>	-\$700

Step 8. Metal Finish

CHR	chrome <input type="checkbox"/>	+\$0
SAC	satin chrome <input type="checkbox"/>	+\$0

H-Frame Credenza Stone Top

JCH1S
JCH2S
JCH3S
JCH4S



Product Information

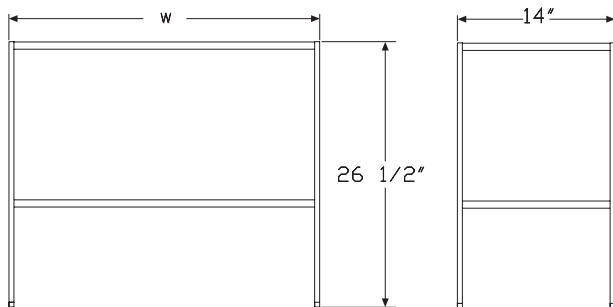
Description

This one-unit wide H-frame credenza has a stone top and includes 1/2"-thick metal frame gables on the ends. H-frame credenzas are modular and shipped partially assembled.

Notes

All hardware for assembly is included.
 Drawer credenzas include wood boxes and self-closing hidden drawer slides.
 CG six box drawer credenza includes pencil trays and felt lining in bottom of top two drawers.
 When applicable, Ward Bennett Flip pulls come in matching metal finish.
 Santos palisander veneer is celebrated for its unique grain and color variations. Similar products ordered in multiples or dissimilar products ordered separately should be expected to have variation in both grain and color characteristics; no two products will look exactly alike.

Dimensions



Specification Information

Step 1.

JCH

Step 2. Size and Configuration

1S-1431-C1 14" deep x 31" wide x 26 1/2" high, 1 unit, open
2S-1462-C1C1 14" deep x 61 1/2" wide x 26 1/2" high, 2 units, open
3S-1492-C1C1C1 14" deep x 92" wide x 26 1/2" high, 3 units, open
4S-14123-C1C1C1C1 14" deep x 122 1/2" wide x 26 1/2" high, 4 units, open

Prices for Steps 1-2.

JCH1S-1431-C1	\$5674
JCH2S-1462-C1C1	\$10336
JCH3S-1492-C1C1C1	\$14998
JCH4S-14123-C1C1C1C1	\$19659

Step 3. Stone or Marble Top

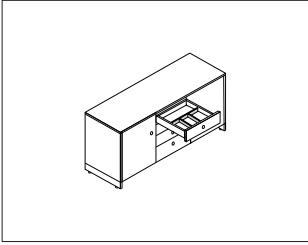
200 perfato marble <input type="checkbox"/>	+\$0
250 verde antique marble <input type="checkbox"/>	+\$0
400 black granite <input type="checkbox"/>	+\$0
5U georgia grey marble <input type="checkbox"/>	+\$0
800 autumn brown granite <input type="checkbox"/>	+\$0
960 white carrara marble <input type="checkbox"/>	+\$0

Step 4. Metal Finish

CHR chrome <input type="checkbox"/>	+\$0
SAC satin chrome <input type="checkbox"/>	+\$0

Silverware Drawer Insert

JA

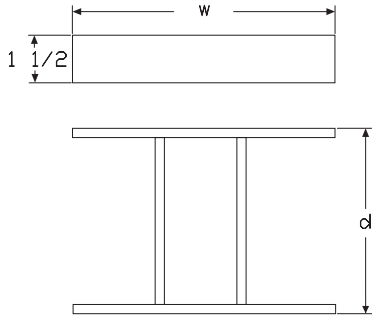


HermanMiller Ancillary-Storage

Product Information

Description
 This drawer insert is for use with H-frame, sled, and mobile credenzas, in top box drawers. The bottom of top box drawer and silverware insert are covered with fabric.

Dimensions

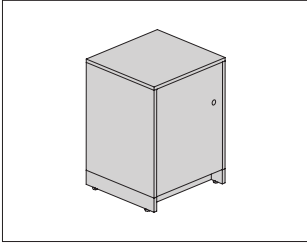


Specification Information

Step 1.		
JA	A	\$621
Step 2. Configuration		
H1-712	for use with H-frame credenza A	+\$0
S1-1015	for use with sled base or mobile credenza A	+\$0

Sled Base Pedestal

JCS1-



Product Information

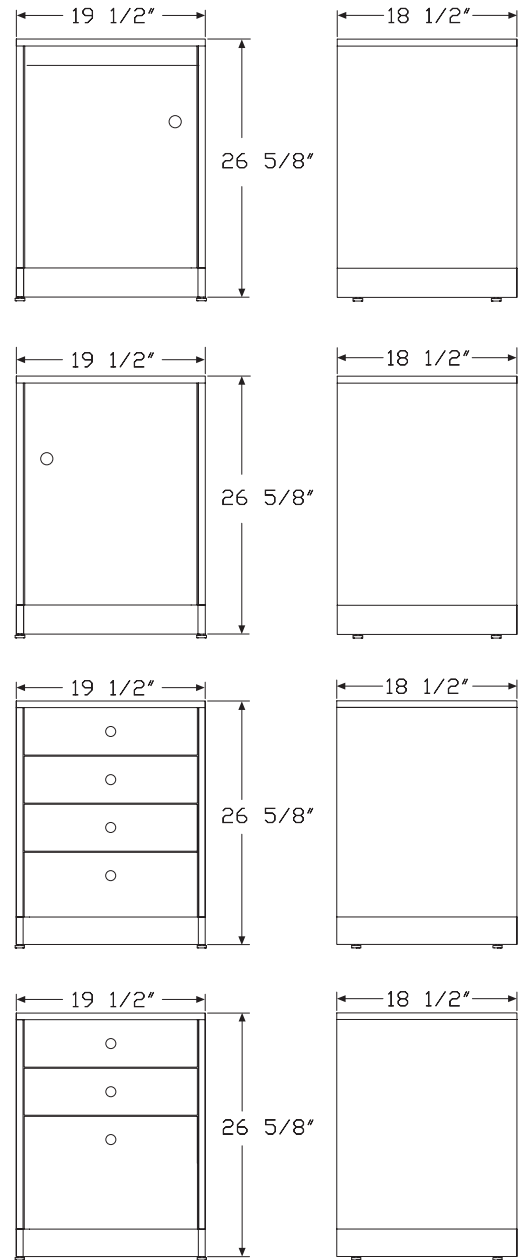
Description

This one-unit wide sled base credenza has a wood top and includes 3"-high metal base on the 3/4"-thick credenza gable. Storage unit is 18"-wide. Ward Bennett Flip pulls come in matching metal finish.

Notes

Sled base credenzas ship assembled.
 Drawer credenzas include wood boxes and self-closing hidden drawer slides. Pencil tray and felt lining in bottom of drawer also included.
 Santos palisander veneer is celebrated for its unique grain and color variations. Similar products ordered in multiples or dissimilar products ordered separately should be expected to have variation in both grain and color characteristics; no two products will look exactly alike.

Dimensions



Specification Information

Step 1.

JCS1

Step 2. Size

-1920 18¹/₂" deep x 19¹/₂" wide x 26⁵/₈" high

Step 3. Configuration

- B2L** single door, hinged left
- B2R** single door, hinged right
- B3** four box drawer
- B4** box, box, file

Prices for Steps 1-3.

JCS1-1920 -B2L	\$5335
-B2R	\$5335
-B3	\$6991
-B4	\$6358

Step 4. Wood Finish

Premium Veneer - Low Sheen

For single door, hinged left (-B2L) or single door, hinged right (-B2R)

931 champagne anigre (natural) <input type="checkbox"/>	+\$1396
932 sundance anigre <input type="checkbox"/>	+\$1396
933 caramel anigre <input type="checkbox"/>	+\$1396
934 henna anigre <input type="checkbox"/>	+\$1396
941 natural beech <input type="checkbox"/>	+\$0
942 sundance cherry (natural) <input type="checkbox"/>	+\$0
943 caramel cherry <input type="checkbox"/>	+\$0
946 cocoa cherry <input type="checkbox"/>	+\$0
951 natural anigre <input type="checkbox"/>	+\$1396
956 cocoa sapele <input type="checkbox"/>	+\$0
962 toasted walnut, low sheen <input type="checkbox"/>	+\$0
963 charred walnut, low sheen <input type="checkbox"/>	+\$0
964 bronzed walnut, low sheen <input type="checkbox"/>	+\$0
965 smoked walnut, low sheen <input type="checkbox"/>	+\$0
966 coffee walnut, low sheen <input type="checkbox"/>	+\$0
967 smoked paldao, low sheen <input type="checkbox"/>	+\$524
969 warm paldao, low sheen <input type="checkbox"/>	+\$524
977 chocolate ash, low sheen <input type="checkbox"/>	+\$0
978 natural oak <input type="checkbox"/>	+\$0
981 champagne hickory (natural) <input type="checkbox"/>	+\$0
98R recograin rosewood <input type="checkbox"/>	+\$0
991 champagne ash <input type="checkbox"/>	+\$0
998 ebony ash <input type="checkbox"/>	+\$0
99A recograin frosty ash <input type="checkbox"/>	+\$0
99R recograin rosewood <input type="checkbox"/>	+\$0
99T recograin teak <input type="checkbox"/>	+\$0
9A1 white ash, quarter cut, low sheen <input type="checkbox"/>	+\$0
9K1 rift oak, rift cut, low sheen <input type="checkbox"/>	+\$0
9K6 burnt oak, rift cut, low sheen <input type="checkbox"/>	+\$0
G2U light brown walnut, low sheen <input type="checkbox"/>	+\$0
G40 dark brown walnut, low sheen <input type="checkbox"/>	+\$0

Sled Base Pedestal *continued*

Premium Veneer - Matte

For single door, hinged left (-B2L) or single door, hinged right (-B2R)

662	toasted walnut, matte sheen <input type="checkbox"/>	+\$0
663	charred walnut, matte sheen <input type="checkbox"/>	+\$0
664	bronzed walnut, matte sheen <input type="checkbox"/>	+\$0
665	smoked walnut, matte sheen <input type="checkbox"/>	+\$0
666	coffee walnut, matte sheen <input type="checkbox"/>	+\$0
667	smoked paldao, quarter cut, matte sheen <input type="checkbox"/>	+\$524
669	warm paldao, quarter cut, matte sheen <input type="checkbox"/>	+\$524
66A	recograin frosty ash <input type="checkbox"/>	+\$0
677	chocolate ash, matte sheen <input type="checkbox"/>	+\$0
678	natural oak <input type="checkbox"/>	+\$0
68R	recograin rosewood <input type="checkbox"/>	+\$0
69A	recograin frosty ash <input type="checkbox"/>	+\$0
69R	recograin rosewood <input type="checkbox"/>	+\$0
69T	recograin teak <input type="checkbox"/>	+\$0
6A1	white ash <input type="checkbox"/>	+\$0
6K1	rift oak <input type="checkbox"/>	+\$0
6K6	burnt oak <input type="checkbox"/>	+\$0
ET	clear on ash <input type="checkbox"/>	+\$0
EU	oak on ash <input type="checkbox"/>	+\$0
EV	walnut on ash <input type="checkbox"/>	+\$0
GOU	natural walnut, flat cut, matte sheen <input type="checkbox"/>	+\$0

RecoGrain Veneer

For single door, hinged left (-B2L) or single door, hinged right (-B2R)

68W	recograin walnut, flat cut, matte sheen <input type="checkbox"/>	-\$175
69K	recograin oak, quarter cut, matte sheen <input type="checkbox"/>	-\$175
69W	recograin walnut, quarter cut, matte sheen <input type="checkbox"/>	-\$175

Recon Veneer -

For single door, hinged left (-B2L) or single door, hinged right (-B2R)

98W	recograin walnut, flat cut, low sheen <input type="checkbox"/>	-\$175
99K	recograin oak, quarter cut, low sheen <input type="checkbox"/>	-\$175
99W	recograin walnut, quarter cut, low sheen <input type="checkbox"/>	-\$175

Premium Veneer - Low Sheen

For four box drawer (-B3)

931	champagne anigre (natural) <input type="checkbox"/>	+\$1831
932	sundance anigre <input type="checkbox"/>	+\$1831
933	caramel anigre <input type="checkbox"/>	+\$1831
934	henna anigre <input type="checkbox"/>	+\$1831
941	natural beech <input type="checkbox"/>	+\$0
942	sundance cherry (natural) <input type="checkbox"/>	+\$0
943	caramel cherry <input type="checkbox"/>	+\$0
946	cocoa cherry <input type="checkbox"/>	+\$0
951	natural anigre <input type="checkbox"/>	+\$1831
956	cocoa sapele <input type="checkbox"/>	+\$0
962	toasted walnut, low sheen <input type="checkbox"/>	+\$0
963	charred walnut, low sheen <input type="checkbox"/>	+\$0
964	bronzed walnut, low sheen <input type="checkbox"/>	+\$0
965	smoked walnut, low sheen <input type="checkbox"/>	+\$0
966	coffee walnut, low sheen <input type="checkbox"/>	+\$0
967	smoked paldao, low sheen <input type="checkbox"/>	+\$687
969	warm paldao, low sheen <input type="checkbox"/>	+\$687
977	chocolate ash, low sheen <input type="checkbox"/>	+\$0
978	natural oak <input type="checkbox"/>	+\$0
981	champagne hickory (natural) <input type="checkbox"/>	+\$0
98R	recograin rosewood <input type="checkbox"/>	+\$0
991	champagne ash <input type="checkbox"/>	+\$0
998	ebony ash <input type="checkbox"/>	+\$0
99A	recograin frosty ash <input type="checkbox"/>	+\$0
99R	recograin rosewood <input type="checkbox"/>	+\$0
99T	recograin teak <input type="checkbox"/>	+\$0
9A1	white ash, quarter cut, low sheen <input type="checkbox"/>	+\$0
9K1	rift oak, rift cut, low sheen <input type="checkbox"/>	+\$0
9K6	burnt oak, rift cut, low sheen <input type="checkbox"/>	+\$0
G2U	light brown walnut, low sheen <input type="checkbox"/>	+\$0
G40	dark brown walnut, low sheen <input type="checkbox"/>	+\$0

Sled Base Pedestal *continued*

Premium Veneer - Matte		
<i>For four box drawer (-B3)</i>		
662	toasted walnut, matte sheen <input type="checkbox"/>	+\$0
663	charred walnut, matte sheen <input type="checkbox"/>	+\$0
664	bronzed walnut, matte sheen <input type="checkbox"/>	+\$0
665	smoked walnut, matte sheen <input type="checkbox"/>	+\$0
666	coffee walnut, matte sheen <input type="checkbox"/>	+\$0
667	smoked paldao, quarter cut, matte sheen <input type="checkbox"/>	+\$687
669	warm paldao, quarter cut, matte sheen <input type="checkbox"/>	+\$687
66A	recograin frosty ash <input type="checkbox"/>	+\$0
677	chocolate ash, matte sheen <input type="checkbox"/>	+\$0
678	natural oak <input type="checkbox"/>	+\$0
68R	recograin rosewood <input type="checkbox"/>	+\$0
69A	recograin frosty ash <input type="checkbox"/>	+\$0
69R	recograin rosewood <input type="checkbox"/>	+\$0
69T	recograin teak <input type="checkbox"/>	+\$0
6A1	white ash <input type="checkbox"/>	+\$0
6K1	rift oak <input type="checkbox"/>	+\$0
6K6	burnt oak <input type="checkbox"/>	+\$0
ET	clear on ash <input type="checkbox"/>	+\$0
EU	oak on ash <input type="checkbox"/>	+\$0
EV	walnut on ash <input type="checkbox"/>	+\$0
GOU	natural walnut, flat cut, matte sheen <input type="checkbox"/>	+\$0

RecoGrain Veneer		
<i>For four box drawer (-B3)</i>		
68W	recograin walnut, flat cut, matte sheen <input type="checkbox"/>	-\$229
69K	recograin oak, quarter cut, matte sheen <input type="checkbox"/>	-\$229
69W	recograin walnut, quarter cut, matte sheen <input type="checkbox"/>	-\$229

Recon Veneer -		
<i>For four box drawer (-B3)</i>		
98W	recograin walnut, flat cut, low sheen <input type="checkbox"/>	-\$229
99K	recograin oak, quarter cut, low sheen <input type="checkbox"/>	-\$229
99W	recograin walnut, quarter cut, low sheen <input type="checkbox"/>	-\$229

Premium Veneer - Low Sheen		
<i>For box, box, file (-B4)</i>		
931	champagne anigre (natural) <input type="checkbox"/>	+\$1664
932	sundance anigre <input type="checkbox"/>	+\$1664
933	caramel anigre <input type="checkbox"/>	+\$1664
934	henna anigre <input type="checkbox"/>	+\$1664
941	natural beech <input type="checkbox"/>	+\$0
942	sundance cherry (natural) <input type="checkbox"/>	+\$0
943	caramel cherry <input type="checkbox"/>	+\$0
946	cocoa cherry <input type="checkbox"/>	+\$0
951	natural anigre <input type="checkbox"/>	+\$1664
956	cocoa sapele <input type="checkbox"/>	+\$0
962	toasted walnut, low sheen <input type="checkbox"/>	+\$0
963	charred walnut, low sheen <input type="checkbox"/>	+\$0
964	bronzed walnut, low sheen <input type="checkbox"/>	+\$0
965	smoked walnut, low sheen <input type="checkbox"/>	+\$0
966	coffee walnut, low sheen <input type="checkbox"/>	+\$0
967	smoked paldao, low sheen <input type="checkbox"/>	+\$624
969	warm paldao, low sheen <input type="checkbox"/>	+\$624
977	chocolate ash, low sheen <input type="checkbox"/>	+\$0
978	natural oak <input type="checkbox"/>	+\$0
981	champagne hickory (natural) <input type="checkbox"/>	+\$0
98R	recograin rosewood <input type="checkbox"/>	+\$0
991	champagne ash <input type="checkbox"/>	+\$0
998	ebony ash <input type="checkbox"/>	+\$0
99A	recograin frosty ash <input type="checkbox"/>	+\$0
99R	recograin rosewood <input type="checkbox"/>	+\$0
99T	recograin teak <input type="checkbox"/>	+\$0
9A1	white ash, quarter cut, low sheen <input type="checkbox"/>	+\$0
9K1	rift oak, rift cut, low sheen <input type="checkbox"/>	+\$0
9K6	burnt oak, rift cut, low sheen <input type="checkbox"/>	+\$0
G2U	light brown walnut, low sheen <input type="checkbox"/>	+\$0
G40	dark brown walnut, low sheen <input type="checkbox"/>	+\$0

Sled Base Pedestal *continued*

Premium Veneer - Matte

For box, box, file (-B4)

662	toasted walnut, matte sheen <input type="checkbox"/>	+\$0
663	charred walnut, matte sheen <input type="checkbox"/>	+\$0
664	bronzed walnut, matte sheen <input type="checkbox"/>	+\$0
665	smoked walnut, matte sheen <input type="checkbox"/>	+\$0
666	coffee walnut, matte sheen <input type="checkbox"/>	+\$0
667	smoked paldao, quarter cut, matte sheen <input type="checkbox"/>	+\$624
669	warm paldao, quarter cut, matte sheen <input type="checkbox"/>	+\$624
66A	recograin frosty ash <input type="checkbox"/>	+\$0
677	chocolate ash, matte sheen <input type="checkbox"/>	+\$0
678	natural oak <input type="checkbox"/>	+\$0
68R	recograin rosewood <input type="checkbox"/>	+\$0
69A	recograin frosty ash <input type="checkbox"/>	+\$0
69R	recograin rosewood <input type="checkbox"/>	+\$0
69T	recograin teak <input type="checkbox"/>	+\$0
6A1	white ash <input type="checkbox"/>	+\$0
6K1	rift oak <input type="checkbox"/>	+\$0
6K6	burnt oak <input type="checkbox"/>	+\$0
ET	clear on ash <input type="checkbox"/>	+\$0
EU	oak on ash <input type="checkbox"/>	+\$0
EV	walnut on ash <input type="checkbox"/>	+\$0
GOU	natural walnut, flat cut, matte sheen <input type="checkbox"/>	+\$0

RecoGrain Veneer

For box, box, file (-B4)

68W	recograin walnut, flat cut, matte sheen <input type="checkbox"/>	-\$208
69K	recograin oak, quarter cut, matte sheen <input type="checkbox"/>	-\$208
69W	recograin walnut, quarter cut, matte sheen <input type="checkbox"/>	-\$208

Recon Veneer -

For box, box, file (-B4)

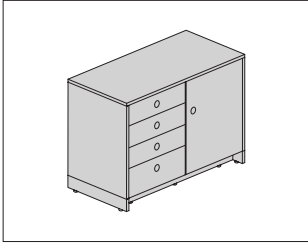
98W	recograin walnut, flat cut, low sheen <input type="checkbox"/>	-\$208
99K	recograin oak, quarter cut, low sheen <input type="checkbox"/>	-\$208
99W	recograin walnut, quarter cut, low sheen <input type="checkbox"/>	-\$208

Step 5. Metal Finish

CHR	chrome <input type="checkbox"/>	+\$0
SAC	satin chrome <input type="checkbox"/>	+\$0

Sled Base Credenza Two Units Wide

JCS2-Wide



HermanMiller Ancillary-Storage

Product Information

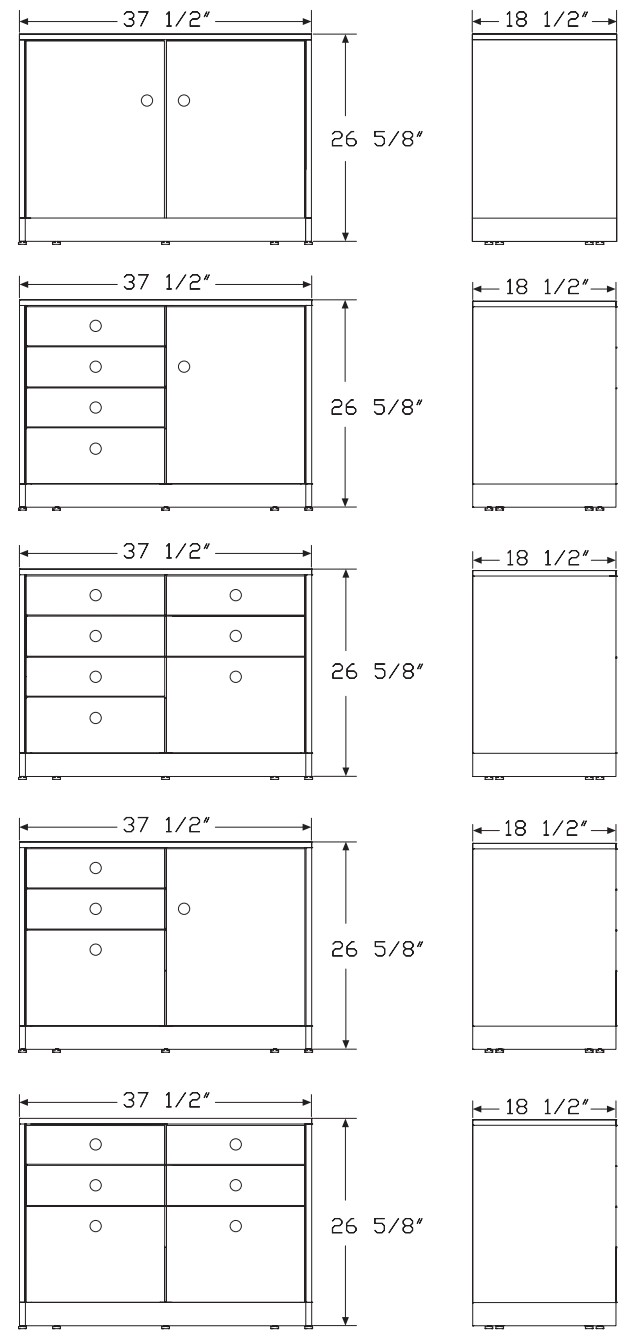
Description

This two-unit wide sled base credenza has a wood top and includes 3"-high metal base on the 3/4"-thick credenza gable. Storage unit is 18"-wide. Ward Bennett Flip pulls come in matching metal finish.

Notes

Sled base credenzas ship assembled.
 Drawer credenzas include wood boxes and self-closing hidden drawer slides. Pencil tray and felt lining in bottom of drawer also included.
 Santos palisander veneer is celebrated for its unique grain and color variations. Similar products ordered in multiples or dissimilar products ordered separately should be expected to have variation in both grain and color characteristics; no two products will look exactly alike.

Dimensions



Sled Base Credenza Two Units

Wide *continued*

Specification Information

Step 1.

JCS2

Step 2. Size

-1938 18¹/₂" deep x 37¹/₂" wide x 26⁵/₈" high

Step 3. Configuration

-B2B2 two doors

-B3B2 four drawers left, single door right

-B3B4 four drawers left, BBF right

-B4B2 BBF left, single door right

-B4B4 BBF left, BBF right

Prices for Steps 1-3.

JCS2-1938	-B2B2	\$8549
	-B3B2	\$10209
	-B3B4	\$11236
	-B4B2	\$9573
	-B4B4	\$10599

Step 4. Wood Finish

Premium Veneer - Low Sheen

For two doors (-B2B2)

931	champagne anigre (natural) <input type="checkbox"/>	+\$2239
932	sundance anigre <input type="checkbox"/>	+\$2239
933	caramel anigre <input type="checkbox"/>	+\$2239
934	henna anigre <input type="checkbox"/>	+\$2239
941	natural beech <input type="checkbox"/>	+\$0
942	sundance cherry (natural) <input type="checkbox"/>	+\$0
943	caramel cherry <input type="checkbox"/>	+\$0
946	cocoa cherry <input type="checkbox"/>	+\$0
951	natural anigre <input type="checkbox"/>	+\$2239
956	cocoa sapele <input type="checkbox"/>	+\$0
962	toasted walnut, low sheen <input type="checkbox"/>	+\$0
963	charred walnut, low sheen <input type="checkbox"/>	+\$0
964	bronzed walnut, low sheen <input type="checkbox"/>	+\$0
965	smoked walnut, low sheen <input type="checkbox"/>	+\$0
966	coffee walnut, low sheen <input type="checkbox"/>	+\$0
967	smoked paldao, low sheen <input type="checkbox"/>	+\$840
969	warm paldao, low sheen <input type="checkbox"/>	+\$840
977	chocolate ash, low sheen <input type="checkbox"/>	+\$0
978	natural oak <input type="checkbox"/>	+\$0
981	champagne hickory (natural) <input type="checkbox"/>	+\$0
98R	recograin rosewood <input type="checkbox"/>	+\$0
991	champagne ash <input type="checkbox"/>	+\$0
998	ebony ash <input type="checkbox"/>	+\$0
99A	recograin frosty ash <input type="checkbox"/>	+\$0
99R	recograin rosewood <input type="checkbox"/>	+\$0
99T	recograin teak <input type="checkbox"/>	+\$0
9A1	white ash, quarter cut, low sheen <input type="checkbox"/>	+\$0
9K1	rift oak, rift cut, low sheen <input type="checkbox"/>	+\$0
9K6	burnt oak, rift cut, low sheen <input type="checkbox"/>	+\$0
G2U	light brown walnut, low sheen <input type="checkbox"/>	+\$0
G40	dark brown walnut, low sheen <input type="checkbox"/>	+\$0

Sled Base Credenza Two Units

Wide *continued*

Premium Veneer - Matte

For two doors (-B2B2)

662	toasted walnut, matte sheen A	+\$0
663	charred walnut, matte sheen A	+\$0
664	bronzed walnut, matte sheen A	+\$0
665	smoked walnut, matte sheen A	+\$0
666	coffee walnut, matte sheen A	+\$0
667	smoked paldao, quarter cut, matte sheen A	+\$840
669	warm paldao, quarter cut, matte sheen A	+\$840
66A	recograin frosty ash A	+\$0
677	chocolate ash, matte sheen A	+\$0
678	natural oak A	+\$0
68R	recograin rosewood A	+\$0
69A	recograin frosty ash A	+\$0
69R	recograin rosewood A	+\$0
69T	recograin teak A	+\$0
6A1	white ash A	+\$0
6K1	rift oak A	+\$0
6K6	burnt oak A	+\$0
ET	clear on ash A	+\$0
EU	oak on ash A	+\$0
EV	walnut on ash A	+\$0
GOU	natural walnut, flat cut, matte sheen A	+\$0

RecoGrain Veneer

For two doors (-B2B2)

68W	recograin walnut, flat cut, matte sheen A	-\$280
69K	recograin oak, quarter cut, matte sheen A	-\$280
69W	recograin walnut, quarter cut, matte sheen A	-\$280

Recon Veneer -

For two doors (-B2B2)

98W	recograin walnut, flat cut, low sheen A	-\$280
99K	recograin oak, quarter cut, low sheen A	-\$280
99W	recograin walnut, quarter cut, low sheen A	-\$280

Premium Veneer - Low Sheen

For four drawers left, single door right (-B3B2)

931	champagne anigre (natural) A	+\$2673
932	sundance anigre A	+\$2673
933	caramel anigre A	+\$2673
934	henna anigre A	+\$2673
941	natural beech A	+\$0
942	sundance cherry (natural) A	+\$0
943	caramel cherry A	+\$0
946	cocoa cherry A	+\$0
951	natural anigre A	+\$2673
956	cocoa sapele A	+\$0
962	toasted walnut, low sheen A	+\$0
963	charred walnut, low sheen A	+\$0
964	bronzed walnut, low sheen A	+\$0
965	smoked walnut, low sheen A	+\$0
966	coffee walnut, low sheen A	+\$0
967	smoked paldao, low sheen A	+\$1003
969	warm paldao, low sheen A	+\$1003
977	chocolate ash, low sheen A	+\$0
978	natural oak A	+\$0
981	champagne hickory (natural) A	+\$0
98R	recograin rosewood A	+\$0
991	champagne ash A	+\$0
998	ebony ash A	+\$0
99A	recograin frosty ash A	+\$0
99R	recograin rosewood A	+\$0
99T	recograin teak A	+\$0
9A1	white ash, quarter cut, low sheen A	+\$0
9K1	rift oak, rift cut, low sheen A	+\$0
9K6	burnt oak, rift cut, low sheen A	+\$0
G2U	light brown walnut, low sheen A	+\$0
G40	dark brown walnut, low sheen A	+\$0

Sled Base Credenza Two Units

Wide *continued*

Premium Veneer - Matte

For four drawers left, single door right (-B3B2)

662	toasted walnut, matte sheen <input type="checkbox"/>	+\$0
663	charred walnut, matte sheen <input type="checkbox"/>	+\$0
664	bronzed walnut, matte sheen <input type="checkbox"/>	+\$0
665	smoked walnut, matte sheen <input type="checkbox"/>	+\$0
666	coffee walnut, matte sheen <input type="checkbox"/>	+\$0
667	smoked paldao, quarter cut, matte sheen <input type="checkbox"/>	+\$1003
669	warm paldao, quarter cut, matte sheen <input type="checkbox"/>	+\$1003
66A	recograin frosty ash <input type="checkbox"/>	+\$0
677	chocolate ash, matte sheen <input type="checkbox"/>	+\$0
678	natural oak <input type="checkbox"/>	+\$0
68R	recograin rosewood <input type="checkbox"/>	+\$0
69A	recograin frosty ash <input type="checkbox"/>	+\$0
69R	recograin rosewood <input type="checkbox"/>	+\$0
69T	recograin teak <input type="checkbox"/>	+\$0
6A1	white ash <input type="checkbox"/>	+\$0
6K1	rift oak <input type="checkbox"/>	+\$0
6K6	burnt oak <input type="checkbox"/>	+\$0
ET	clear on ash <input type="checkbox"/>	+\$0
EU	oak on ash <input type="checkbox"/>	+\$0
EV	walnut on ash <input type="checkbox"/>	+\$0
GOU	natural walnut, flat cut, matte sheen <input type="checkbox"/>	+\$0

RecoGrain Veneer

For four drawers left, single door right (-B3B2)

68W	recograin walnut, flat cut, matte sheen <input type="checkbox"/>	-\$335
69K	recograin oak, quarter cut, matte sheen <input type="checkbox"/>	-\$335
69W	recograin walnut, quarter cut, matte sheen <input type="checkbox"/>	-\$335

Recon Veneer -

For four drawers left, single door right (-B3B2)

98W	recograin walnut, flat cut, low sheen <input type="checkbox"/>	-\$335
99K	recograin oak, quarter cut, low sheen <input type="checkbox"/>	-\$335
99W	recograin walnut, quarter cut, low sheen <input type="checkbox"/>	-\$335

Premium Veneer - Low Sheen

For four drawers left, BBF right (-B3B4)

931	champagne anigre (natural) <input type="checkbox"/>	+\$2942
932	sundance anigre <input type="checkbox"/>	+\$2942
933	caramel anigre <input type="checkbox"/>	+\$2942
934	henna anigre <input type="checkbox"/>	+\$2942
941	natural beech <input type="checkbox"/>	+\$0
942	sundance cherry (natural) <input type="checkbox"/>	+\$0
943	caramel cherry <input type="checkbox"/>	+\$0
946	cocoa cherry <input type="checkbox"/>	+\$0
951	natural anigre <input type="checkbox"/>	+\$2942
956	cocoa sapele <input type="checkbox"/>	+\$0
962	toasted walnut, low sheen <input type="checkbox"/>	+\$0
963	charred walnut, low sheen <input type="checkbox"/>	+\$0
964	bronzed walnut, low sheen <input type="checkbox"/>	+\$0
965	smoked walnut, low sheen <input type="checkbox"/>	+\$0
966	coffee walnut, low sheen <input type="checkbox"/>	+\$0
967	smoked paldao, low sheen <input type="checkbox"/>	+\$1103
969	warm paldao, low sheen <input type="checkbox"/>	+\$1103
977	chocolate ash, low sheen <input type="checkbox"/>	+\$0
978	natural oak <input type="checkbox"/>	+\$0
981	champagne hickory (natural) <input type="checkbox"/>	+\$0
98R	recograin rosewood <input type="checkbox"/>	+\$0
991	champagne ash <input type="checkbox"/>	+\$0
998	ebony ash <input type="checkbox"/>	+\$0
99A	recograin frosty ash <input type="checkbox"/>	+\$0
99R	recograin rosewood <input type="checkbox"/>	+\$0
99T	recograin teak <input type="checkbox"/>	+\$0
9A1	white ash, quarter cut, low sheen <input type="checkbox"/>	+\$0
9K1	rift oak, rift cut, low sheen <input type="checkbox"/>	+\$0
9K6	burnt oak, rift cut, low sheen <input type="checkbox"/>	+\$0
G2U	light brown walnut, low sheen <input type="checkbox"/>	+\$0
G40	dark brown walnut, low sheen <input type="checkbox"/>	+\$0

Sled Base Credenza Two Units

Wide *continued*

Premium Veneer - Matte

For four drawers left, BBF right (-B3B4)

662	toasted walnut, matte sheen A	+\$0
663	charred walnut, matte sheen A	+\$0
664	bronzed walnut, matte sheen A	+\$0
665	smoked walnut, matte sheen A	+\$0
666	coffee walnut, matte sheen A	+\$0
667	smoked paldao, quarter cut, matte sheen A	+\$1103
669	warm paldao, quarter cut, matte sheen A	+\$1103
66A	recograin frosty ash A	+\$0
677	chocolate ash, matte sheen A	+\$0
678	natural oak A	+\$0
68R	recograin rosewood A	+\$0
69A	recograin frosty ash A	+\$0
69R	recograin rosewood A	+\$0
69T	recograin teak A	+\$0
6A1	white ash A	+\$0
6K1	rift oak A	+\$0
6K6	burnt oak A	+\$0
ET	clear on ash A	+\$0
EU	oak on ash A	+\$0
EV	walnut on ash A	+\$0
GOU	natural walnut, flat cut, matte sheen A	+\$0

RecoGrain Veneer

For four drawers left, BBF right (-B3B4)

68W	recograin walnut, flat cut, matte sheen A	-\$368
69K	recograin oak, quarter cut, matte sheen A	-\$368
69W	recograin walnut, quarter cut, matte sheen A	-\$368

Recon Veneer -

For four drawers left, BBF right (-B3B4)

98W	recograin walnut, flat cut, low sheen A	-\$368
99K	recograin oak, quarter cut, low sheen A	-\$368
99W	recograin walnut, quarter cut, low sheen A	-\$368

Premium Veneer - Low Sheen

For BBF left, single door right (-B4B2)

931	champagne anigre (natural) A	+\$2507
932	sundance anigre A	+\$2507
933	caramel anigre A	+\$2507
934	henna anigre A	+\$2507
941	natural beech A	+\$0
942	sundance cherry (natural) A	+\$0
943	caramel cherry A	+\$0
946	cocoa cherry A	+\$0
951	natural anigre A	+\$2507
956	cocoa sapele A	+\$0
962	toasted walnut, low sheen A	+\$0
963	charred walnut, low sheen A	+\$0
964	bronzed walnut, low sheen A	+\$0
965	smoked walnut, low sheen A	+\$0
966	coffee walnut, low sheen A	+\$0
967	smoked paldao, low sheen A	+\$940
969	warm paldao, low sheen A	+\$940
977	chocolate ash, low sheen A	+\$0
978	natural oak A	+\$0
981	champagne hickory (natural) A	+\$0
98R	recograin rosewood A	+\$0
991	champagne ash A	+\$0
998	ebony ash A	+\$0
99A	recograin frosty ash A	+\$0
99R	recograin rosewood A	+\$0
99T	recograin teak A	+\$0
9A1	white ash, quarter cut, low sheen A	+\$0
9K1	rift oak, rift cut, low sheen A	+\$0
9K6	burnt oak, rift cut, low sheen A	+\$0
G2U	light brown walnut, low sheen A	+\$0
G40	dark brown walnut, low sheen A	+\$0

Sled Base Credenza Two Units

Wide *continued*

Premium Veneer - Matte

For BBF left, single door right (-B4B2)

662	toasted walnut, matte sheen <input type="checkbox"/>	+\$0
663	charred walnut, matte sheen <input type="checkbox"/>	+\$0
664	bronzed walnut, matte sheen <input type="checkbox"/>	+\$0
665	smoked walnut, matte sheen <input type="checkbox"/>	+\$0
666	coffee walnut, matte sheen <input type="checkbox"/>	+\$0
667	smoked paldao, quarter cut, matte sheen <input type="checkbox"/>	+\$940
669	warm paldao, quarter cut, matte sheen <input type="checkbox"/>	+\$940
66A	recograin frosty ash <input type="checkbox"/>	+\$0
677	chocolate ash, matte sheen <input type="checkbox"/>	+\$0
678	natural oak <input type="checkbox"/>	+\$0
68R	recograin rosewood <input type="checkbox"/>	+\$0
69A	recograin frosty ash <input type="checkbox"/>	+\$0
69R	recograin rosewood <input type="checkbox"/>	+\$0
69T	recograin teak <input type="checkbox"/>	+\$0
6A1	white ash <input type="checkbox"/>	+\$0
6K1	rift oak <input type="checkbox"/>	+\$0
6K6	burnt oak <input type="checkbox"/>	+\$0
ET	clear on ash <input type="checkbox"/>	+\$0
EU	oak on ash <input type="checkbox"/>	+\$0
EV	walnut on ash <input type="checkbox"/>	+\$0
GOU	natural walnut, flat cut, matte sheen <input type="checkbox"/>	+\$0

RecoGrain Veneer

For BBF left, single door right (-B4B2)

68W	recograin walnut, flat cut, matte sheen <input type="checkbox"/>	-\$314
69K	recograin oak, quarter cut, matte sheen <input type="checkbox"/>	-\$314
69W	recograin walnut, quarter cut, matte sheen <input type="checkbox"/>	-\$314

Recon Veneer -

For BBF left, single door right (-B4B2)

98W	recograin walnut, flat cut, low sheen <input type="checkbox"/>	-\$314
99K	recograin oak, quarter cut, low sheen <input type="checkbox"/>	-\$314
99W	recograin walnut, quarter cut, low sheen <input type="checkbox"/>	-\$314

Premium Veneer - Low Sheen

For BBF left, BBF right (-B4B4)

931	champagne anigre (natural) <input type="checkbox"/>	+\$2775
932	sundance anigre <input type="checkbox"/>	+\$2775
933	caramel anigre <input type="checkbox"/>	+\$2775
934	henna anigre <input type="checkbox"/>	+\$2775
941	natural beech <input type="checkbox"/>	+\$0
942	sundance cherry (natural) <input type="checkbox"/>	+\$0
943	caramel cherry <input type="checkbox"/>	+\$0
946	cocoa cherry <input type="checkbox"/>	+\$0
951	natural anigre <input type="checkbox"/>	+\$2775
956	cocoa sapele <input type="checkbox"/>	+\$0
962	toasted walnut, low sheen <input type="checkbox"/>	+\$0
963	charred walnut, low sheen <input type="checkbox"/>	+\$0
964	bronzed walnut, low sheen <input type="checkbox"/>	+\$0
965	smoked walnut, low sheen <input type="checkbox"/>	+\$0
966	coffee walnut, low sheen <input type="checkbox"/>	+\$0
967	smoked paldao, low sheen <input type="checkbox"/>	+\$1041
969	warm paldao, low sheen <input type="checkbox"/>	+\$1041
977	chocolate ash, low sheen <input type="checkbox"/>	+\$0
978	natural oak <input type="checkbox"/>	+\$0
981	champagne hickory (natural) <input type="checkbox"/>	+\$0
98R	recograin rosewood <input type="checkbox"/>	+\$0
991	champagne ash <input type="checkbox"/>	+\$0
998	ebony ash <input type="checkbox"/>	+\$0
99A	recograin frosty ash <input type="checkbox"/>	+\$0
99R	recograin rosewood <input type="checkbox"/>	+\$0
99T	recograin teak <input type="checkbox"/>	+\$0
9A1	white ash, quarter cut, low sheen <input type="checkbox"/>	+\$0
9K1	rift oak, rift cut, low sheen <input type="checkbox"/>	+\$0
9K6	burnt oak, rift cut, low sheen <input type="checkbox"/>	+\$0
G2U	light brown walnut, low sheen <input type="checkbox"/>	+\$0
G40	dark brown walnut, low sheen <input type="checkbox"/>	+\$0

Sled Base Credenza Two Units

Wide *continued*

Premium Veneer - Matte

For BBF left, BBF right (-B4B4)

662	toasted walnut, matte sheen <input type="checkbox"/>	+\$0
663	charred walnut, matte sheen <input type="checkbox"/>	+\$0
664	bronzed walnut, matte sheen <input type="checkbox"/>	+\$0
665	smoked walnut, matte sheen <input type="checkbox"/>	+\$0
666	coffee walnut, matte sheen <input type="checkbox"/>	+\$0
667	smoked paldao, quarter cut, matte sheen <input type="checkbox"/>	+\$1041
669	warm paldao, quarter cut, matte sheen <input type="checkbox"/>	+\$1041
66A	recograin frosty ash <input type="checkbox"/>	+\$0
677	chocolate ash, matte sheen <input type="checkbox"/>	+\$0
678	natural oak <input type="checkbox"/>	+\$0
68R	recograin rosewood <input type="checkbox"/>	+\$0
69A	recograin frosty ash <input type="checkbox"/>	+\$0
69R	recograin rosewood <input type="checkbox"/>	+\$0
69T	recograin teak <input type="checkbox"/>	+\$0
6A1	white ash <input type="checkbox"/>	+\$0
6K1	rift oak <input type="checkbox"/>	+\$0
6K6	burnt oak <input type="checkbox"/>	+\$0
ET	clear on ash <input type="checkbox"/>	+\$0
EU	oak on ash <input type="checkbox"/>	+\$0
EV	walnut on ash <input type="checkbox"/>	+\$0
GOU	natural walnut, flat cut, matte sheen <input type="checkbox"/>	+\$0

RecoGrain Veneer

For BBF left, BBF right (-B4B4)

68W	recograin walnut, flat cut, matte sheen <input type="checkbox"/>	-\$347
69K	recograin oak, quarter cut, matte sheen <input type="checkbox"/>	-\$347
69W	recograin walnut, quarter cut, matte sheen <input type="checkbox"/>	-\$347

Recon Veneer -

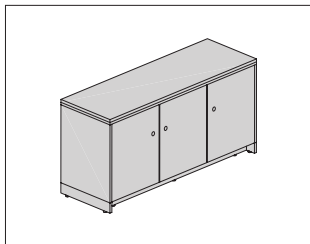
For BBF left, BBF right (-B4B4)

98W	recograin walnut, flat cut, low sheen <input type="checkbox"/>	-\$347
99K	recograin oak, quarter cut, low sheen <input type="checkbox"/>	-\$347
99W	recograin walnut, quarter cut, low sheen <input type="checkbox"/>	-\$347

Step 5. Metal Finish

CHR	chrome <input type="checkbox"/>	+\$0
SAC	satin chrome <input type="checkbox"/>	+\$0

Sled Base Credenza Three Units JCS3-Wide



Product Information

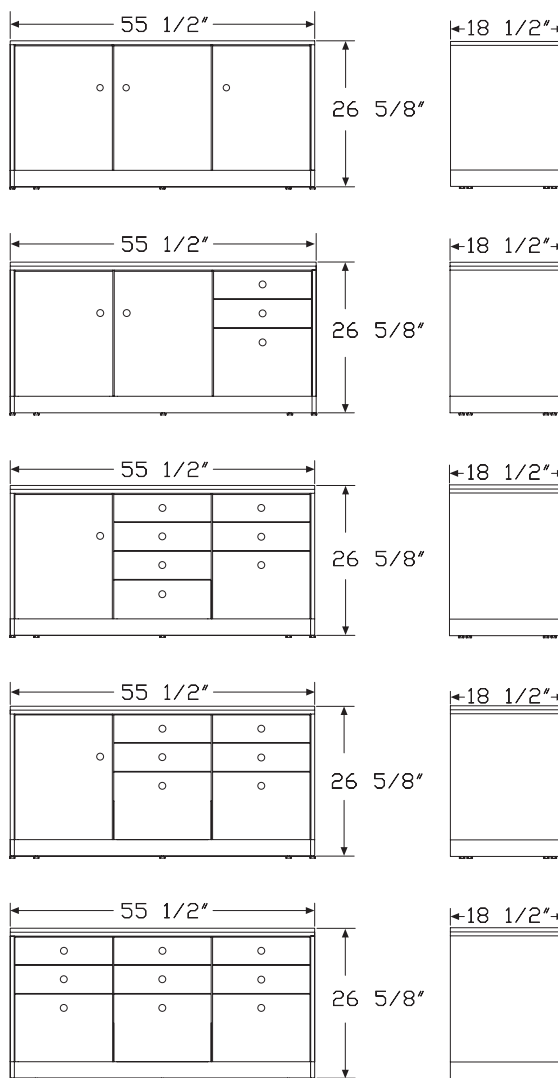
Description

This three-unit wide sled base credenza has a wood top and includes 3"-high metal base on the 3/4"-thick credenza gable. Storage unit is 18"-wide. Ward Bennett Flip pulls come in matching metal finish.

Notes

Sled base credenzas ship assembled.
 Drawer credenzas include wood boxes and self-closing hidden drawer slides. Pencil tray and felt lining in bottom of drawer also included.
 Santos palisander veneer is celebrated for its unique grain and color variations. Similar products ordered in multiples or dissimilar products ordered separately should be expected to have variation in both grain and color characteristics; no two products will look exactly alike.

Dimensions



HermanMiller Ancillary-Storage

Sled Base Credenza Three Units Wide *continued*

Specification Information

Step 1.

JCS3 A

Step 2. Size

-1956 18¹/₂" deep x 55¹/₂" wide x 26⁵/₈" high A

Step 3. Configuration

- B2B2B2** three single doors A
- B2B2B4** single door left, single door center, BBF right A
- B2B3B4** single door left, 4 box center, BBF right A
- B2B4B4** single door left, BBF center, BBF right A
- B4B4B4** BBF left, BBF center, BBF right A

Prices for Steps 1-3.

JCS3-1956	-B2B2B2	\$11845
	-B2B2B4	\$12868
	-B2B3B4	\$14527
	-B2B4B4	\$13893
	-B4B4B4	\$14917

Step 4. Wood Finish

Premium Veneer - Low Sheen

For three single doors (-B2B2B2)

931	champagne anigre (natural) A	+\$3102
932	sundance anigre A	+\$3102
933	caramel anigre A	+\$3102
934	henna anigre A	+\$3102
941	natural beech A	+\$0
942	sundance cherry (natural) A	+\$0
943	caramel cherry A	+\$0
946	cocoa cherry A	+\$0
951	natural anigre A	+\$3102
956	cocoa sapele A	+\$0
962	toasted walnut, low sheen A	+\$0
963	charred walnut, low sheen A	+\$0
964	bronzed walnut, low sheen A	+\$0
965	smoked walnut, low sheen A	+\$0
966	coffee walnut, low sheen A	+\$0
967	smoked paldao, low sheen A	+\$1164
969	warm paldao, low sheen A	+\$1164
977	chocolate ash, low sheen A	+\$0
978	natural oak A	+\$0
981	champagne hickory (natural) A	+\$0
98R	recograin rosewood A	+\$0
991	champagne ash A	+\$0
998	ebony ash A	+\$0
99A	recograin frosty ash A	+\$0
99R	recograin rosewood A	+\$0
99T	recograin teak A	+\$0
9A1	white ash, quarter cut, low sheen A	+\$0
9K1	rift oak, rift cut, low sheen A	+\$0
9K6	burnt oak, rift cut, low sheen A	+\$0
G2U	light brown walnut, low sheen A	+\$0
G40	dark brown walnut, low sheen A	+\$0

Sled Base Credenza Three Units

Wide *continued*

Premium Veneer - Matte

For three single doors (-B2B2B2)

662	toasted walnut, matte sheen <input type="checkbox"/>	+\$0
663	charred walnut, matte sheen <input type="checkbox"/>	+\$0
664	bronzed walnut, matte sheen <input type="checkbox"/>	+\$0
665	smoked walnut, matte sheen <input type="checkbox"/>	+\$0
666	coffee walnut, matte sheen <input type="checkbox"/>	+\$0
667	smoked paldao, quarter cut, matte sheen <input type="checkbox"/>	+\$1164
669	warm paldao, quarter cut, matte sheen <input type="checkbox"/>	+\$1164
66A	recograin frosty ash <input type="checkbox"/>	+\$0
677	chocolate ash, matte sheen <input type="checkbox"/>	+\$0
678	natural oak <input type="checkbox"/>	+\$0
68R	recograin rosewood <input type="checkbox"/>	+\$0
69A	recograin frosty ash <input type="checkbox"/>	+\$0
69R	recograin rosewood <input type="checkbox"/>	+\$0
69T	recograin teak <input type="checkbox"/>	+\$0
6A1	white ash <input type="checkbox"/>	+\$0
6K1	rift oak <input type="checkbox"/>	+\$0
6K6	burnt oak <input type="checkbox"/>	+\$0
ET	clear on ash <input type="checkbox"/>	+\$0
EU	oak on ash <input type="checkbox"/>	+\$0
EV	walnut on ash <input type="checkbox"/>	+\$0
GOU	natural walnut, flat cut, matte sheen <input type="checkbox"/>	+\$0

RecoGrain Veneer

For three single doors (-B2B2B2)

68W	recograin walnut, flat cut, matte sheen <input type="checkbox"/>	-\$388
69K	recograin oak, quarter cut, matte sheen <input type="checkbox"/>	-\$388
69W	recograin walnut, quarter cut, matte sheen <input type="checkbox"/>	-\$388

Recon Veneer -

For three single doors (-B2B2B2)

98W	recograin walnut, flat cut, low sheen <input type="checkbox"/>	-\$388
99K	recograin oak, quarter cut, low sheen <input type="checkbox"/>	-\$388
99W	recograin walnut, quarter cut, low sheen <input type="checkbox"/>	-\$388

Premium Veneer - Low Sheen

For single door left, single door center, BBF right (-B2B2B4)

931	champagne anigre (natural) <input type="checkbox"/>	+\$3370
932	sundance anigre <input type="checkbox"/>	+\$3370
933	caramel anigre <input type="checkbox"/>	+\$3370
934	henna anigre <input type="checkbox"/>	+\$3370
941	natural beech <input type="checkbox"/>	+\$0
942	sundance cherry (natural) <input type="checkbox"/>	+\$0
943	caramel cherry <input type="checkbox"/>	+\$0
946	cocoa cherry <input type="checkbox"/>	+\$0
951	natural anigre <input type="checkbox"/>	+\$3370
956	cocoa sapele <input type="checkbox"/>	+\$0
962	toasted walnut, low sheen <input type="checkbox"/>	+\$0
963	charred walnut, low sheen <input type="checkbox"/>	+\$0
964	bronzed walnut, low sheen <input type="checkbox"/>	+\$0
965	smoked walnut, low sheen <input type="checkbox"/>	+\$0
966	coffee walnut, low sheen <input type="checkbox"/>	+\$0
967	smoked paldao, low sheen <input type="checkbox"/>	+\$1264
969	warm paldao, low sheen <input type="checkbox"/>	+\$1264
977	chocolate ash, low sheen <input type="checkbox"/>	+\$0
978	natural oak <input type="checkbox"/>	+\$0
981	champagne hickory (natural) <input type="checkbox"/>	+\$0
98R	recograin rosewood <input type="checkbox"/>	+\$0
991	champagne ash <input type="checkbox"/>	+\$0
998	ebony ash <input type="checkbox"/>	+\$0
99A	recograin frosty ash <input type="checkbox"/>	+\$0
99R	recograin rosewood <input type="checkbox"/>	+\$0
99T	recograin teak <input type="checkbox"/>	+\$0
9A1	white ash, quarter cut, low sheen <input type="checkbox"/>	+\$0
9K1	rift oak, rift cut, low sheen <input type="checkbox"/>	+\$0
9K6	burnt oak, rift cut, low sheen <input type="checkbox"/>	+\$0
G2U	light brown walnut, low sheen <input type="checkbox"/>	+\$0
G40	dark brown walnut, low sheen <input type="checkbox"/>	+\$0

Sled Base Credenza Three Units

Wide *continued*

Premium Veneer - Matte

For single door left, single door center, BBF right (-B2B2B4)

662	toasted walnut, matte sheen A	+\$0
663	charred walnut, matte sheen A	+\$0
664	bronzed walnut, matte sheen A	+\$0
665	smoked walnut, matte sheen A	+\$0
666	coffee walnut, matte sheen A	+\$0
667	smoked paldao, quarter cut, matte sheen A	+\$1264
669	warm paldao, quarter cut, matte sheen A	+\$1264
66A	recograin frosty ash A	+\$0
677	chocolate ash, matte sheen A	+\$0
678	natural oak A	+\$0
68R	recograin rosewood A	+\$0
69A	recograin frosty ash A	+\$0
69R	recograin rosewood A	+\$0
69T	recograin teak A	+\$0
6A1	white ash A	+\$0
6K1	rift oak A	+\$0
6K6	burnt oak A	+\$0
ET	clear on ash A	+\$0
EU	oak on ash A	+\$0
EV	walnut on ash A	+\$0
GOU	natural walnut, flat cut, matte sheen A	+\$0

RecoGrain Veneer

For single door left, single door center, BBF right (-B2B2B4)

68W	recograin walnut, flat cut, matte sheen A	-\$422
69K	recograin oak, quarter cut, matte sheen A	-\$422
69W	recograin walnut, quarter cut, matte sheen A	-\$422

Recon Veneer -

For single door left, single door center, BBF right (-B2B2B4)

98W	recograin walnut, flat cut, low sheen A	-\$422
99K	recograin oak, quarter cut, low sheen A	-\$422
99W	recograin walnut, quarter cut, low sheen A	-\$422

Premium Veneer - Low Sheen

For single door left, 4 box center, BBF right (-B2B3B4)

931	champagne anigre (natural) A	+\$3805
932	sundance anigre A	+\$3805
933	caramel anigre A	+\$3805
934	henna anigre A	+\$3805
941	natural beech A	+\$0
942	sundance cherry (natural) A	+\$0
943	caramel cherry A	+\$0
946	cocoa cherry A	+\$0
951	natural anigre A	+\$3805
956	cocoa sapele A	+\$0
962	toasted walnut, low sheen A	+\$0
963	charred walnut, low sheen A	+\$0
964	bronzed walnut, low sheen A	+\$0
965	smoked walnut, low sheen A	+\$0
966	coffee walnut, low sheen A	+\$0
967	smoked paldao, low sheen A	+\$1427
969	warm paldao, low sheen A	+\$1427
977	chocolate ash, low sheen A	+\$0
978	natural oak A	+\$0
981	champagne hickory (natural) A	+\$0
98R	recograin rosewood A	+\$0
991	champagne ash A	+\$0
998	ebony ash A	+\$0
99A	recograin frosty ash A	+\$0
99R	recograin rosewood A	+\$0
99T	recograin teak A	+\$0
9A1	white ash, quarter cut, low sheen A	+\$0
9K1	rift oak, rift cut, low sheen A	+\$0
9K6	burnt oak, rift cut, low sheen A	+\$0
G2U	light brown walnut, low sheen A	+\$0
G40	dark brown walnut, low sheen A	+\$0

Sled Base Credenza Three Units

Wide *continued*

Premium Veneer - Matte

For single door left, 4 box center, BBF right (-B2B3B4)

662	toasted walnut, matte sheen <input type="checkbox"/>	+\$0
663	charred walnut, matte sheen <input type="checkbox"/>	+\$0
664	bronzed walnut, matte sheen <input type="checkbox"/>	+\$0
665	smoked walnut, matte sheen <input type="checkbox"/>	+\$0
666	coffee walnut, matte sheen <input type="checkbox"/>	+\$0
667	smoked paldao, quarter cut, matte sheen <input type="checkbox"/>	+\$1427
669	warm paldao, quarter cut, matte sheen <input type="checkbox"/>	+\$1427
66A	recograin frosty ash <input type="checkbox"/>	+\$0
677	chocolate ash, matte sheen <input type="checkbox"/>	+\$0
678	natural oak <input type="checkbox"/>	+\$0
68R	recograin rosewood <input type="checkbox"/>	+\$0
69A	recograin frosty ash <input type="checkbox"/>	+\$0
69R	recograin rosewood <input type="checkbox"/>	+\$0
69T	recograin teak <input type="checkbox"/>	+\$0
6A1	white ash <input type="checkbox"/>	+\$0
6K1	rift oak <input type="checkbox"/>	+\$0
6K6	burnt oak <input type="checkbox"/>	+\$0
ET	clear on ash <input type="checkbox"/>	+\$0
EU	oak on ash <input type="checkbox"/>	+\$0
EV	walnut on ash <input type="checkbox"/>	+\$0
GOU	natural walnut, flat cut, matte sheen <input type="checkbox"/>	+\$0

RecoGrain Veneer

For single door left, 4 box center, BBF right (-B2B3B4)

68W	recograin walnut, flat cut, matte sheen <input type="checkbox"/>	-\$476
69K	recograin oak, quarter cut, matte sheen <input type="checkbox"/>	-\$476
69W	recograin walnut, quarter cut, matte sheen <input type="checkbox"/>	-\$476

Recon Veneer -

For single door left, 4 box center, BBF right (-B2B3B4)

98W	recograin walnut, flat cut, low sheen <input type="checkbox"/>	-\$476
99K	recograin oak, quarter cut, low sheen <input type="checkbox"/>	-\$476
99W	recograin walnut, quarter cut, low sheen <input type="checkbox"/>	-\$476

Premium Veneer - Low Sheen

For single door left, BBF center, BBF right (-B2B4B4)

931	champagne anigre (natural) <input type="checkbox"/>	+\$3638
932	sundance anigre <input type="checkbox"/>	+\$3638
933	caramel anigre <input type="checkbox"/>	+\$3638
934	henna anigre <input type="checkbox"/>	+\$3638
941	natural beech <input type="checkbox"/>	+\$0
942	sundance cherry (natural) <input type="checkbox"/>	+\$0
943	caramel cherry <input type="checkbox"/>	+\$0
946	cocoa cherry <input type="checkbox"/>	+\$0
951	natural anigre <input type="checkbox"/>	+\$3638
956	cocoa sapele <input type="checkbox"/>	+\$0
962	toasted walnut, low sheen <input type="checkbox"/>	+\$0
963	charred walnut, low sheen <input type="checkbox"/>	+\$0
964	bronzed walnut, low sheen <input type="checkbox"/>	+\$0
965	smoked walnut, low sheen <input type="checkbox"/>	+\$0
966	coffee walnut, low sheen <input type="checkbox"/>	+\$0
967	smoked paldao, low sheen <input type="checkbox"/>	+\$1365
969	warm paldao, low sheen <input type="checkbox"/>	+\$1365
977	chocolate ash, low sheen <input type="checkbox"/>	+\$0
978	natural oak <input type="checkbox"/>	+\$0
981	champagne hickory (natural) <input type="checkbox"/>	+\$0
98R	recograin rosewood <input type="checkbox"/>	+\$0
991	champagne ash <input type="checkbox"/>	+\$0
998	ebony ash <input type="checkbox"/>	+\$0
99A	recograin frosty ash <input type="checkbox"/>	+\$0
99R	recograin rosewood <input type="checkbox"/>	+\$0
99T	recograin teak <input type="checkbox"/>	+\$0
9A1	white ash, quarter cut, low sheen <input type="checkbox"/>	+\$0
9K1	rift oak, rift cut, low sheen <input type="checkbox"/>	+\$0
9K6	burnt oak, rift cut, low sheen <input type="checkbox"/>	+\$0
G2U	light brown walnut, low sheen <input type="checkbox"/>	+\$0
G40	dark brown walnut, low sheen <input type="checkbox"/>	+\$0

Sled Base Credenza Three Units

Wide *continued*

Premium Veneer - Matte

For single door left, BBF center, BBF right (-B2B4B4)

662	toasted walnut, matte sheen A	+\$0
663	charred walnut, matte sheen A	+\$0
664	bronzed walnut, matte sheen A	+\$0
665	smoked walnut, matte sheen A	+\$0
666	coffee walnut, matte sheen A	+\$0
667	smoked paldao, quarter cut, matte sheen A	+\$1365
669	warm paldao, quarter cut, matte sheen A	+\$1365
66A	recograin frosty ash A	+\$0
677	chocolate ash, matte sheen A	+\$0
678	natural oak A	+\$0
68R	recograin rosewood A	+\$0
69A	recograin frosty ash A	+\$0
69R	recograin rosewood A	+\$0
69T	recograin teak A	+\$0
6A1	white ash A	+\$0
6K1	rift oak A	+\$0
6K6	burnt oak A	+\$0
ET	clear on ash A	+\$0
EU	oak on ash A	+\$0
EV	walnut on ash A	+\$0
GOU	natural walnut, flat cut, matte sheen A	+\$0

RecoGrain Veneer

For single door left, BBF center, BBF right (-B2B4B4)

68W	recograin walnut, flat cut, matte sheen A	-\$455
69K	recograin oak, quarter cut, matte sheen A	-\$455
69W	recograin walnut, quarter cut, matte sheen A	-\$455

Recon Veneer -

For single door left, BBF center, BBF right (-B2B4B4)

98W	recograin walnut, flat cut, low sheen A	-\$455
99K	recograin oak, quarter cut, low sheen A	-\$455
99W	recograin walnut, quarter cut, low sheen A	-\$455

Premium Veneer - Low Sheen

For BBF left, BBF center, BBF right (-B4B4B4)

931	champagne anigre (natural) A	+\$3907
932	sundance anigre A	+\$3907
933	caramel anigre A	+\$3907
934	henna anigre A	+\$3907
941	natural beech A	+\$0
942	sundance cherry (natural) A	+\$0
943	caramel cherry A	+\$0
946	cocoa cherry A	+\$0
951	natural anigre A	+\$3907
956	cocoa sapele A	+\$0
962	toasted walnut, low sheen A	+\$0
963	charred walnut, low sheen A	+\$0
964	bronzed walnut, low sheen A	+\$0
965	smoked walnut, low sheen A	+\$0
966	coffee walnut, low sheen A	+\$0
967	smoked paldao, low sheen A	+\$1465
969	warm paldao, low sheen A	+\$1465
977	chocolate ash, low sheen A	+\$0
978	natural oak A	+\$0
981	champagne hickory (natural) A	+\$0
98R	recograin rosewood A	+\$0
991	champagne ash A	+\$0
998	ebony ash A	+\$0
99A	recograin frosty ash A	+\$0
99R	recograin rosewood A	+\$0
99T	recograin teak A	+\$0
9A1	white ash, quarter cut, low sheen A	+\$0
9K1	rift oak, rift cut, low sheen A	+\$0
9K6	burnt oak, rift cut, low sheen A	+\$0
G2U	light brown walnut, low sheen A	+\$0
G40	dark brown walnut, low sheen A	+\$0

Sled Base Credenza Three Units

Wide *continued*

Premium Veneer - Matte

For BBF left, BBF center, BBF right (-B4B4B4)

662	toasted walnut, matte sheen <input type="checkbox"/>	+\$0
663	charred walnut, matte sheen <input type="checkbox"/>	+\$0
664	bronzed walnut, matte sheen <input type="checkbox"/>	+\$0
665	smoked walnut, matte sheen <input type="checkbox"/>	+\$0
666	coffee walnut, matte sheen <input type="checkbox"/>	+\$0
667	smoked paldao, quarter cut, matte sheen <input type="checkbox"/>	+\$1465
669	warm paldao, quarter cut, matte sheen <input type="checkbox"/>	+\$1465
66A	recograin frosty ash <input type="checkbox"/>	+\$0
677	chocolate ash, matte sheen <input type="checkbox"/>	+\$0
678	natural oak <input type="checkbox"/>	+\$0
68R	recograin rosewood <input type="checkbox"/>	+\$0
69A	recograin frosty ash <input type="checkbox"/>	+\$0
69R	recograin rosewood <input type="checkbox"/>	+\$0
69T	recograin teak <input type="checkbox"/>	+\$0
6A1	white ash <input type="checkbox"/>	+\$0
6K1	rift oak <input type="checkbox"/>	+\$0
6K6	burnt oak <input type="checkbox"/>	+\$0
ET	clear on ash <input type="checkbox"/>	+\$0
EU	oak on ash <input type="checkbox"/>	+\$0
EV	walnut on ash <input type="checkbox"/>	+\$0
GOU	natural walnut, flat cut, matte sheen <input type="checkbox"/>	+\$0

RecoGrain Veneer

For BBF left, BBF center, BBF right (-B4B4B4)

68W	recograin walnut, flat cut, matte sheen <input type="checkbox"/>	-\$489
69K	recograin oak, quarter cut, matte sheen <input type="checkbox"/>	-\$489
69W	recograin walnut, quarter cut, matte sheen <input type="checkbox"/>	-\$489

Recon Veneer -

For BBF left, BBF center, BBF right (-B4B4B4)

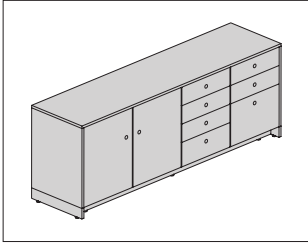
98W	recograin walnut, flat cut, low sheen <input type="checkbox"/>	-\$489
99K	recograin oak, quarter cut, low sheen <input type="checkbox"/>	-\$489
99W	recograin walnut, quarter cut, low sheen <input type="checkbox"/>	-\$489

Step 5. Metal Finish

CHR	chrome <input type="checkbox"/>	+\$0
SAC	satin chrome <input type="checkbox"/>	+\$0

Sled Base Credenza Four Units Wide

JCS4-Wide



HermanMiller Ancillary-Storage

Product Information

Description

This four-unit wide sled base credenza has a wood top and includes 3"-high metal base on the 3/4"-thick credenza gable. Storage unit is 18"-wide. Ward Bennett Flip pulls come in matching metal finish.

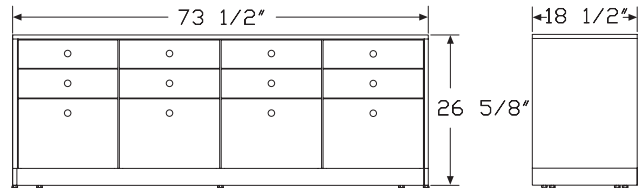
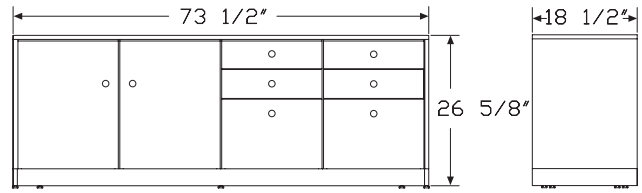
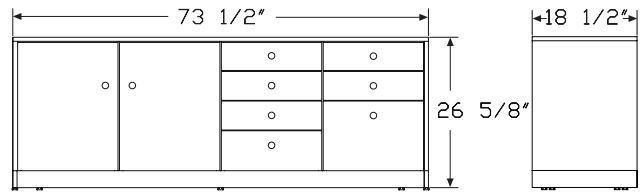
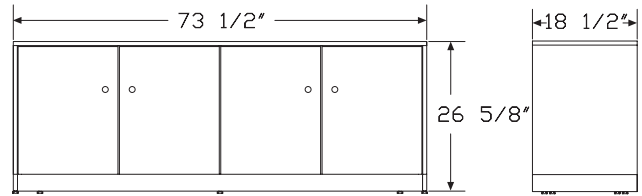
Notes

Sled base credenzas ship assembled.

Drawer credenzas include wood boxes and self-closing hidden drawer slides. Pencil tray and felt lining in bottom of drawer also included.

Santos palisander veneer is celebrated for its unique grain and color variations. Similar products ordered in multiples or dissimilar products ordered separately should be expected to have variation in both grain and color characteristics; no two products will look exactly alike.

Dimensions



Sled Base Credenza Four Units Wide *continued*

Specification Information

Step 1.

JCS4 A

Step 2. Size

-1974 18¹/₂" deep x 73¹/₂" wide x 26⁵/₈" high A

Step 3. Configuration

-B2B2B2B2 four single doors A

-B2B2B3B4 single door left, single door left center, four drawers right center, BBF right A

-B2B2B4B4 single door left, single door left center, BBF right center, BBF right A

-B4B4B4B4 four BBF A

Prices for Steps 1-3.

JCS4-1974	-B2B2B2B2	\$15123
	-B2B2B3B4	\$17810
	-B2B2B4B4	\$17175
	-B4B4B4B4	\$19223

Step 4. Wood Finish

Premium Veneer - Low Sheen

For four single doors (-B2B2B2B2)

931	champagne anigre (natural) A	+\$3961
932	sundance anigre A	+\$3961
933	caramel anigre A	+\$3961
934	henna anigre A	+\$3961
941	natural beech A	+\$0
942	sundance cherry (natural) A	+\$0
943	caramel cherry A	+\$0
946	cocoa cherry A	+\$0
951	natural anigre A	+\$3961
956	cocoa sapele A	+\$0
962	toasted walnut, low sheen A	+\$0
963	charred walnut, low sheen A	+\$0
964	bronzed walnut, low sheen A	+\$0
965	smoked walnut, low sheen A	+\$0
966	coffee walnut, low sheen A	+\$0
967	smoked paldao, low sheen A	+\$1486
969	warm paldao, low sheen A	+\$1486
977	chocolate ash, low sheen A	+\$0
978	natural oak A	+\$0
981	champagne hickory (natural) A	+\$0
98R	recograin rosewood A	+\$0
991	champagne ash A	+\$0
998	ebony ash A	+\$0
99A	recograin frosty ash A	+\$0
99R	recograin rosewood A	+\$0
99T	recograin teak A	+\$0
9A1	white ash, quarter cut, low sheen A	+\$0
9K1	rift oak, rift cut, low sheen A	+\$0
9K6	burnt oak, rift cut, low sheen A	+\$0
G2U	light brown walnut, low sheen A	+\$0
G40	dark brown walnut, low sheen A	+\$0

Sled Base Credenza Four Units Wide *continued*

Premium Veneer - Matte		
<i>For four single doors (-B2B2B2B2)</i>		
662	toasted walnut, matte sheen <input type="checkbox"/>	+\$0
663	charred walnut, matte sheen <input type="checkbox"/>	+\$0
664	bronzed walnut, matte sheen <input type="checkbox"/>	+\$0
665	smoked walnut, matte sheen <input type="checkbox"/>	+\$0
666	coffee walnut, matte sheen <input type="checkbox"/>	+\$0
667	smoked paldao, quarter cut, matte sheen <input type="checkbox"/>	+\$1486
669	warm paldao, quarter cut, matte sheen <input type="checkbox"/>	+\$1486
66A	recograin frosty ash <input type="checkbox"/>	+\$0
677	chocolate ash, matte sheen <input type="checkbox"/>	+\$0
678	natural oak <input type="checkbox"/>	+\$0
68R	recograin rosewood <input type="checkbox"/>	+\$0
69A	recograin frosty ash <input type="checkbox"/>	+\$0
69R	recograin rosewood <input type="checkbox"/>	+\$0
69T	recograin teak <input type="checkbox"/>	+\$0
6A1	white ash <input type="checkbox"/>	+\$0
6K1	rift oak <input type="checkbox"/>	+\$0
6K6	burnt oak <input type="checkbox"/>	+\$0
ET	clear on ash <input type="checkbox"/>	+\$0
EU	oak on ash <input type="checkbox"/>	+\$0
EV	walnut on ash <input type="checkbox"/>	+\$0
GOU	natural walnut, flat cut, matte sheen <input type="checkbox"/>	+\$0

RecoGrain Veneer		
<i>For four single doors (-B2B2B2B2)</i>		
68W	recograin walnut, flat cut, matte sheen <input type="checkbox"/>	-\$496
69K	recograin oak, quarter cut, matte sheen <input type="checkbox"/>	-\$496
69W	recograin walnut, quarter cut, matte sheen <input type="checkbox"/>	-\$496

Recon Veneer -		
<i>For four single doors (-B2B2B2B2)</i>		
98W	recograin walnut, flat cut, low sheen <input type="checkbox"/>	-\$496
99K	recograin oak, quarter cut, low sheen <input type="checkbox"/>	-\$496
99W	recograin walnut, quarter cut, low sheen <input type="checkbox"/>	-\$496

Premium Veneer - Low Sheen		
<i>For single door left, single door left center, four drawers right center, BBF right (-B2B2B3B4)</i>		
931	champagne anigre (natural) <input type="checkbox"/>	+\$4664
932	sundance anigre <input type="checkbox"/>	+\$4664
933	caramel anigre <input type="checkbox"/>	+\$4664
934	henna anigre <input type="checkbox"/>	+\$4664
941	natural beech <input type="checkbox"/>	+\$0
942	sundance cherry (natural) <input type="checkbox"/>	+\$0
943	caramel cherry <input type="checkbox"/>	+\$0
946	cocoa cherry <input type="checkbox"/>	+\$0
951	natural anigre <input type="checkbox"/>	+\$4664
956	cocoa sapele <input type="checkbox"/>	+\$0
962	toasted walnut, low sheen <input type="checkbox"/>	+\$0
963	charred walnut, low sheen <input type="checkbox"/>	+\$0
964	bronzed walnut, low sheen <input type="checkbox"/>	+\$0
965	smoked walnut, low sheen <input type="checkbox"/>	+\$0
966	coffee walnut, low sheen <input type="checkbox"/>	+\$0
967	smoked paldao, low sheen <input type="checkbox"/>	+\$1749
969	warm paldao, low sheen <input type="checkbox"/>	+\$1749
977	chocolate ash, low sheen <input type="checkbox"/>	+\$0
978	natural oak <input type="checkbox"/>	+\$0
981	champagne hickory (natural) <input type="checkbox"/>	+\$0
98R	recograin rosewood <input type="checkbox"/>	+\$0
991	champagne ash <input type="checkbox"/>	+\$0
998	ebony ash <input type="checkbox"/>	+\$0
99A	recograin frosty ash <input type="checkbox"/>	+\$0
99R	recograin rosewood <input type="checkbox"/>	+\$0
99T	recograin teak <input type="checkbox"/>	+\$0
9A1	white ash, quarter cut, low sheen <input type="checkbox"/>	+\$0
9K1	rift oak, rift cut, low sheen <input type="checkbox"/>	+\$0
9K6	burnt oak, rift cut, low sheen <input type="checkbox"/>	+\$0
G2U	light brown walnut, low sheen <input type="checkbox"/>	+\$0
G40	dark brown walnut, low sheen <input type="checkbox"/>	+\$0

Sled Base Credenza Four Units

Wide *continued*

Premium Veneer - Matte

For single door left, single door left center, four drawers right center, BBF right (-B2B2B3B4)

662	toasted walnut, matte sheen <input type="checkbox"/>	+\$0
663	charred walnut, matte sheen <input type="checkbox"/>	+\$0
664	bronzed walnut, matte sheen <input type="checkbox"/>	+\$0
665	smoked walnut, matte sheen <input type="checkbox"/>	+\$0
666	coffee walnut, matte sheen <input type="checkbox"/>	+\$0
667	smoked paldao, quarter cut, matte sheen <input type="checkbox"/>	+\$1749
669	warm paldao, quarter cut, matte sheen <input type="checkbox"/>	+\$1749
66A	recograin frosty ash <input type="checkbox"/>	+\$0
677	chocolate ash, matte sheen <input type="checkbox"/>	+\$0
678	natural oak <input type="checkbox"/>	+\$0
68R	recograin rosewood <input type="checkbox"/>	+\$0
69A	recograin frosty ash <input type="checkbox"/>	+\$0
69R	recograin rosewood <input type="checkbox"/>	+\$0
69T	recograin teak <input type="checkbox"/>	+\$0
6A1	white ash <input type="checkbox"/>	+\$0
6K1	rift oak <input type="checkbox"/>	+\$0
6K6	burnt oak <input type="checkbox"/>	+\$0
ET	clear on ash <input type="checkbox"/>	+\$0
EU	oak on ash <input type="checkbox"/>	+\$0
EV	walnut on ash <input type="checkbox"/>	+\$0
GOU	natural walnut, flat cut, matte sheen <input type="checkbox"/>	+\$0

RecoGrain Veneer

For single door left, single door left center, four drawers right center, BBF right (-B2B2B3B4)

68W	recograin walnut, flat cut, matte sheen <input type="checkbox"/>	-\$583
69K	recograin oak, quarter cut, matte sheen <input type="checkbox"/>	-\$583
69W	recograin walnut, quarter cut, matte sheen <input type="checkbox"/>	-\$583

Recon Veneer -

For single door left, single door left center, four drawers right center, BBF right (-B2B2B3B4)

98W	recograin walnut, flat cut, low sheen <input type="checkbox"/>	-\$583
99K	recograin oak, quarter cut, low sheen <input type="checkbox"/>	-\$583
99W	recograin walnut, quarter cut, low sheen <input type="checkbox"/>	-\$583

Premium Veneer - Low Sheen

For single door left, single door left center, BBF right center, BBF right (-B2B2B4B4)

931	champagne anigre (natural) <input type="checkbox"/>	+\$4498
932	sundance anigre <input type="checkbox"/>	+\$4498
933	caramel anigre <input type="checkbox"/>	+\$4498
934	henna anigre <input type="checkbox"/>	+\$4498
941	natural beech <input type="checkbox"/>	+\$0
942	sundance cherry (natural) <input type="checkbox"/>	+\$0
943	caramel cherry <input type="checkbox"/>	+\$0
946	cocoa cherry <input type="checkbox"/>	+\$0
951	natural anigre <input type="checkbox"/>	+\$4498
956	cocoa sapele <input type="checkbox"/>	+\$0
962	toasted walnut, low sheen <input type="checkbox"/>	+\$0
963	charred walnut, low sheen <input type="checkbox"/>	+\$0
964	bronzed walnut, low sheen <input type="checkbox"/>	+\$0
965	smoked walnut, low sheen <input type="checkbox"/>	+\$0
966	coffee walnut, low sheen <input type="checkbox"/>	+\$0
967	smoked paldao, low sheen <input type="checkbox"/>	+\$1687
969	warm paldao, low sheen <input type="checkbox"/>	+\$1687
977	chocolate ash, low sheen <input type="checkbox"/>	+\$0
978	natural oak <input type="checkbox"/>	+\$0
981	champagne hickory (natural) <input type="checkbox"/>	+\$0
98R	recograin rosewood <input type="checkbox"/>	+\$0
991	champagne ash <input type="checkbox"/>	+\$0
998	ebony ash <input type="checkbox"/>	+\$0
99A	recograin frosty ash <input type="checkbox"/>	+\$0
99R	recograin rosewood <input type="checkbox"/>	+\$0
99T	recograin teak <input type="checkbox"/>	+\$0
9A1	white ash, quarter cut, low sheen <input type="checkbox"/>	+\$0
9K1	rift oak, rift cut, low sheen <input type="checkbox"/>	+\$0
9K6	burnt oak, rift cut, low sheen <input type="checkbox"/>	+\$0
G2U	light brown walnut, low sheen <input type="checkbox"/>	+\$0
G40	dark brown walnut, low sheen <input type="checkbox"/>	+\$0

Sled Base Credenza Four Units

Wide *continued*

Premium Veneer - Matte

For single door left, single door left center, BBF right center, BBF right (-B2B2B4B4)

662	toasted walnut, matte sheen <input type="checkbox"/>	+\$0
663	charred walnut, matte sheen <input type="checkbox"/>	+\$0
664	bronzed walnut, matte sheen <input type="checkbox"/>	+\$0
665	smoked walnut, matte sheen <input type="checkbox"/>	+\$0
666	coffee walnut, matte sheen <input type="checkbox"/>	+\$0
667	smoked paldao, quarter cut, matte sheen <input type="checkbox"/>	+\$1687
669	warm paldao, quarter cut, matte sheen <input type="checkbox"/>	+\$0
66A	recograin frosty ash <input type="checkbox"/>	+\$0
677	chocolate ash, matte sheen <input type="checkbox"/>	+\$0
678	natural oak <input type="checkbox"/>	+\$0
68R	recograin rosewood <input type="checkbox"/>	+\$0
69A	recograin frosty ash <input type="checkbox"/>	+\$0
69R	recograin rosewood <input type="checkbox"/>	+\$0
69T	recograin teak <input type="checkbox"/>	+\$0
6A1	white ash <input type="checkbox"/>	+\$0
6K1	rift oak <input type="checkbox"/>	+\$0
6K6	burnt oak <input type="checkbox"/>	+\$0
ET	clear on ash <input type="checkbox"/>	+\$0
EU	oak on ash <input type="checkbox"/>	+\$0
EV	walnut on ash <input type="checkbox"/>	+\$0
GOU	natural walnut, flat cut, matte sheen <input type="checkbox"/>	+\$0

RecoGrain Veneer

For single door left, single door left center, BBF right center, BBF right (-B2B2B4B4)

68W	recograin walnut, flat cut, matte sheen <input type="checkbox"/>	-\$563
69K	recograin oak, quarter cut, matte sheen <input type="checkbox"/>	-\$563
69W	recograin walnut, quarter cut, matte sheen <input type="checkbox"/>	-\$563

Recon Veneer -

For single door left, single door left center, BBF right center, BBF right (-B2B2B4B4)

98W	recograin walnut, flat cut, low sheen <input type="checkbox"/>	-\$563
99K	recograin oak, quarter cut, low sheen <input type="checkbox"/>	-\$563
99W	recograin walnut, quarter cut, low sheen <input type="checkbox"/>	-\$563

Premium Veneer - Low Sheen

For four BBF (-B4B4B4B4)

931	champagne anigre (natural) <input type="checkbox"/>	+\$5034
932	sundance anigre <input type="checkbox"/>	+\$5034
933	caramel anigre <input type="checkbox"/>	+\$5034
934	henna anigre <input type="checkbox"/>	+\$5034
941	natural beech <input type="checkbox"/>	+\$0
942	sundance cherry (natural) <input type="checkbox"/>	+\$0
943	caramel cherry <input type="checkbox"/>	+\$0
946	cocoa cherry <input type="checkbox"/>	+\$0
951	natural anigre <input type="checkbox"/>	+\$5034
956	cocoa sapele <input type="checkbox"/>	+\$0
962	toasted walnut, low sheen <input type="checkbox"/>	+\$0
963	charred walnut, low sheen <input type="checkbox"/>	+\$0
964	bronzed walnut, low sheen <input type="checkbox"/>	+\$0
965	smoked walnut, low sheen <input type="checkbox"/>	+\$0
966	coffee walnut, low sheen <input type="checkbox"/>	+\$0
967	smoked paldao, low sheen <input type="checkbox"/>	+\$1888
969	warm paldao, low sheen <input type="checkbox"/>	+\$1888
977	chocolate ash, low sheen <input type="checkbox"/>	+\$0
978	natural oak <input type="checkbox"/>	+\$0
981	champagne hickory (natural) <input type="checkbox"/>	+\$0
98R	recograin rosewood <input type="checkbox"/>	+\$0
991	champagne ash <input type="checkbox"/>	+\$0
998	ebony ash <input type="checkbox"/>	+\$0
99A	recograin frosty ash <input type="checkbox"/>	+\$0
99R	recograin rosewood <input type="checkbox"/>	+\$0
99T	recograin teak <input type="checkbox"/>	+\$0
9A1	white ash, quarter cut, low sheen <input type="checkbox"/>	+\$0
9K1	rift oak, rift cut, low sheen <input type="checkbox"/>	+\$0
9K6	burnt oak, rift cut, low sheen <input type="checkbox"/>	+\$0
G2U	light brown walnut, low sheen <input type="checkbox"/>	+\$0
G40	dark brown walnut, low sheen <input type="checkbox"/>	+\$0

Sled Base Credenza Four Units

Wide *continued*

Premium Veneer - Matte

For four BBF (-B4B4B4B4)

662	toasted walnut, matte sheen <input type="checkbox"/>	+\$0
663	charred walnut, matte sheen <input type="checkbox"/>	+\$0
664	bronzed walnut, matte sheen <input type="checkbox"/>	+\$0
665	smoked walnut, matte sheen <input type="checkbox"/>	+\$0
666	coffee walnut, matte sheen <input type="checkbox"/>	+\$0
66A	recograin frosty ash <input type="checkbox"/>	+\$0
677	chocolate ash, matte sheen <input type="checkbox"/>	+\$0
678	natural oak <input type="checkbox"/>	+\$0
68R	recograin rosewood <input type="checkbox"/>	+\$0
69A	recograin frosty ash <input type="checkbox"/>	+\$0
69R	recograin rosewood <input type="checkbox"/>	+\$0
69T	recograin teak <input type="checkbox"/>	+\$0
6A1	white ash <input type="checkbox"/>	+\$0
6K1	rift oak <input type="checkbox"/>	+\$0
6K6	burnt oak <input type="checkbox"/>	+\$0
ET	clear on ash <input type="checkbox"/>	+\$0
EU	oak on ash <input type="checkbox"/>	+\$0
EV	walnut on ash <input type="checkbox"/>	+\$0
GOU	natural walnut, flat cut, matte sheen <input type="checkbox"/>	+\$0

RecoGrain Veneer

For four BBF (-B4B4B4B4)

68W	recograin walnut, flat cut, matte sheen <input type="checkbox"/>	-\$630
69K	recograin oak, quarter cut, matte sheen <input type="checkbox"/>	-\$630
69W	recograin walnut, quarter cut, matte sheen <input type="checkbox"/>	-\$630

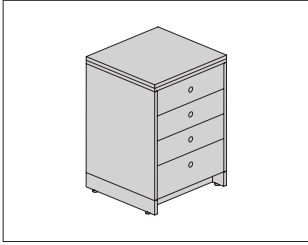
Recon Veneer -

For four BBF (-B4B4B4B4)

98W	recograin walnut, flat cut, low sheen <input type="checkbox"/>	-\$630
99K	recograin oak, quarter cut, low sheen <input type="checkbox"/>	-\$630
99W	recograin walnut, quarter cut, low sheen <input type="checkbox"/>	-\$630

Step 5. Metal Finish

CHR	chrome <input type="checkbox"/>	+\$0
SAC	satin chrome <input type="checkbox"/>	+\$0



HermanMiller Ancillary-Storage

Product Information

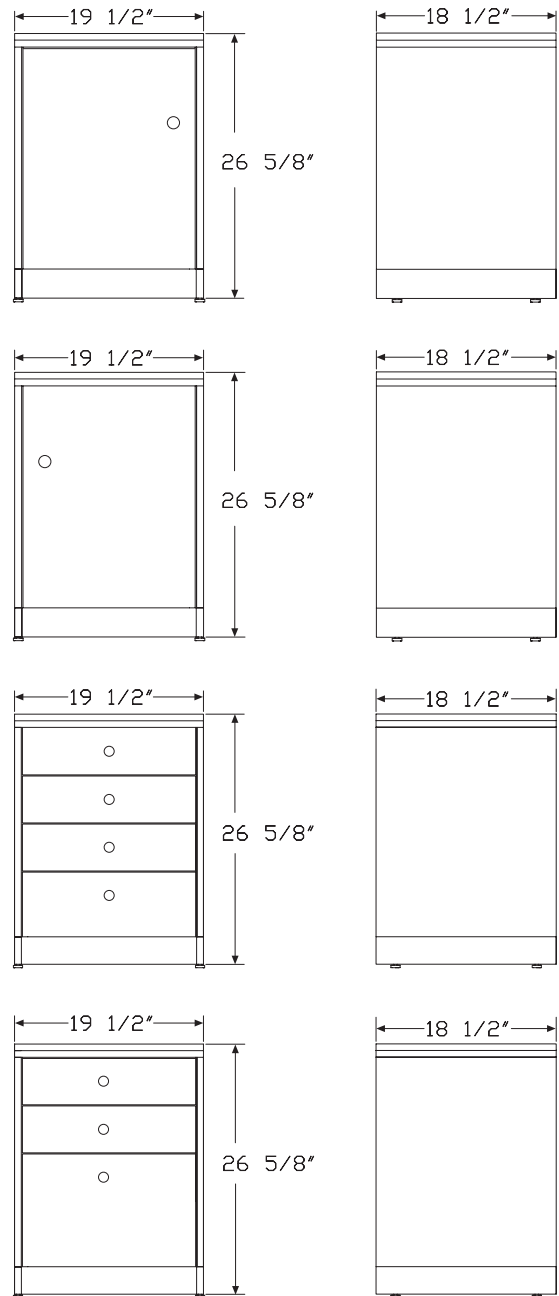
Description

This one-unit wide sled base credenza has a stone top and includes 3"-high metal base on the 3/4"-thick credenza gable. Storage unit is 18"-wide. Ward Bennett Flip pulls come in matching metal finish.

Notes

Sled base credenzas ship assembled.
 Drawer credenzas include wood boxes and self-closing hidden drawer slides. Pencil tray and felt lining in bottom of drawer also included.
 Santos palisander veneer is celebrated for its unique grain and color variations. Similar products ordered in multiples or dissimilar products ordered separately should be expected to have variation in both grain and color characteristics; no two products will look exactly alike.

Dimensions



Sled Base Pedestal Stone Top

continued

HermanMiller Ancillary-Storage

Specification Information					
Step 1.					
JCS1S <input type="checkbox"/>					
Step 2. Size					
-1920 18 ¹ / ₂ " deep x 19 ¹ / ₂ " wide x 26 ⁵ / ₈ " high <input type="checkbox"/>					
Step 3. Configuration					
-B2L	single door, hinged left	<input type="checkbox"/>			
-B2R	single door, hinged right	<input type="checkbox"/>			
-B3	four box drawer	<input type="checkbox"/>			
-B4	box, box, file	<input type="checkbox"/>			
Prices for Steps 1-3.					
		-B2L	-B2R	-B3	-B4
JCS1S -1920		\$6928	6928	8589	7956

Step 4. Wood Finish		
Premium Veneer - Low Sheen		
<i>For single door, hinged left (-B2L) or single door, hinged right (-B2R)</i>		
931	champagne anigre (natural) <input type="checkbox"/>	+\$1814
932	sundance anigre <input type="checkbox"/>	+\$1814
933	caramel anigre <input type="checkbox"/>	+\$1814
934	henna anigre <input type="checkbox"/>	+\$1814
941	natural beech <input type="checkbox"/>	+\$0
942	sundance cherry (natural) <input type="checkbox"/>	+\$0
943	caramel cherry <input type="checkbox"/>	+\$0
946	cocoa cherry <input type="checkbox"/>	+\$0
951	natural anigre <input type="checkbox"/>	+\$1814
956	cocoa sapele <input type="checkbox"/>	+\$0
962	toasted walnut, low sheen <input type="checkbox"/>	+\$0
963	charred walnut, low sheen <input type="checkbox"/>	+\$0
964	bronzed walnut, low sheen <input type="checkbox"/>	+\$0
965	smoked walnut, low sheen <input type="checkbox"/>	+\$0
966	coffee walnut, low sheen <input type="checkbox"/>	+\$0
967	smoked paldao, low sheen <input type="checkbox"/>	+\$681
969	warm paldao, low sheen <input type="checkbox"/>	+\$681
977	chocolate ash, low sheen <input type="checkbox"/>	+\$0
978	natural oak <input type="checkbox"/>	+\$0
981	champagne hickory (natural) <input type="checkbox"/>	+\$0
98R	recograin rosewood <input type="checkbox"/>	+\$0
991	champagne ash <input type="checkbox"/>	+\$0
998	ebony ash <input type="checkbox"/>	+\$0
99A	recograin frosty ash <input type="checkbox"/>	+\$0
99R	recograin rosewood <input type="checkbox"/>	+\$0
99T	recograin teak <input type="checkbox"/>	+\$0
9A1	white ash, quarter cut, low sheen <input type="checkbox"/>	+\$0
9K1	rift oak, rift cut, low sheen <input type="checkbox"/>	+\$0
9K6	burnt oak, rift cut, low sheen <input type="checkbox"/>	+\$0
G2U	light brown walnut, low sheen <input type="checkbox"/>	+\$0
G40	dark brown walnut, low sheen <input type="checkbox"/>	+\$0

Sled Base Pedestal Stone Top

continued

HermanMiller Ancillary-Storage

Premium Veneer - Matte

For single door, hinged left (-B2L) or single door, hinged right (-B2R)

662	toasted walnut, matte sheen <input type="checkbox"/>	+\$0
663	charred walnut, matte sheen <input type="checkbox"/>	+\$0
664	bronzed walnut, matte sheen <input type="checkbox"/>	+\$0
665	smoked walnut, matte sheen <input type="checkbox"/>	+\$0
666	coffee walnut, matte sheen <input type="checkbox"/>	+\$0
667	smoked paldao, quarter cut, matte sheen <input type="checkbox"/>	+\$681
669	warm paldao, quarter cut, matte sheen <input type="checkbox"/>	+\$681
66A	recograin frosty ash <input type="checkbox"/>	+\$0
677	chocolate ash, matte sheen <input type="checkbox"/>	+\$0
678	natural oak <input type="checkbox"/>	+\$0
68R	recograin rosewood <input type="checkbox"/>	+\$0
69A	recograin frosty ash <input type="checkbox"/>	+\$0
69R	recograin rosewood <input type="checkbox"/>	+\$0
69T	recograin teak <input type="checkbox"/>	+\$0
6A1	white ash <input type="checkbox"/>	+\$0
6K1	rift oak <input type="checkbox"/>	+\$0
6K6	burnt oak <input type="checkbox"/>	+\$0
ET	clear on ash <input type="checkbox"/>	+\$0
EU	oak on ash <input type="checkbox"/>	+\$0
EV	walnut on ash <input type="checkbox"/>	+\$0
GOU	natural walnut, flat cut, matte sheen <input type="checkbox"/>	+\$0

RecoGrain Veneer

For single door, hinged left (-B2L) or single door, hinged right (-B2R)

68W	recograin walnut, flat cut, matte sheen <input type="checkbox"/>	-\$227
69K	recograin oak, quarter cut, matte sheen <input type="checkbox"/>	-\$227
69W	recograin walnut, quarter cut, matte sheen <input type="checkbox"/>	-\$227

Recon Veneer -

For single door, hinged left (-B2L) or single door, hinged right (-B2R)

98W	recograin walnut, flat cut, low sheen <input type="checkbox"/>	-\$227
99K	recograin oak, quarter cut, low sheen <input type="checkbox"/>	-\$227
99W	recograin walnut, quarter cut, low sheen <input type="checkbox"/>	-\$227

Premium Veneer - Low Sheen

For four box drawer (-B3)

931	champagne anigre (natural) <input type="checkbox"/>	+\$2249
932	sundance anigre <input type="checkbox"/>	+\$2249
933	caramel anigre <input type="checkbox"/>	+\$2249
934	henna anigre <input type="checkbox"/>	+\$2249
941	natural beech <input type="checkbox"/>	+\$0
942	sundance cherry (natural) <input type="checkbox"/>	+\$0
943	caramel cherry <input type="checkbox"/>	+\$0
946	cocoa cherry <input type="checkbox"/>	+\$0
951	natural anigre <input type="checkbox"/>	+\$2249
956	cocoa sapele <input type="checkbox"/>	+\$0
962	toasted walnut, low sheen <input type="checkbox"/>	+\$0
963	charred walnut, low sheen <input type="checkbox"/>	+\$0
964	bronzed walnut, low sheen <input type="checkbox"/>	+\$0
965	smoked walnut, low sheen <input type="checkbox"/>	+\$0
966	coffee walnut, low sheen <input type="checkbox"/>	+\$0
967	smoked paldao, low sheen <input type="checkbox"/>	+\$844
969	warm paldao, low sheen <input type="checkbox"/>	+\$844
977	chocolate ash, low sheen <input type="checkbox"/>	+\$0
978	natural oak <input type="checkbox"/>	+\$0
981	champagne hickory (natural) <input type="checkbox"/>	+\$0
98R	recograin rosewood <input type="checkbox"/>	+\$0
991	champagne ash <input type="checkbox"/>	+\$0
998	ebony ash <input type="checkbox"/>	+\$0
99A	recograin frosty ash <input type="checkbox"/>	+\$0
99R	recograin rosewood <input type="checkbox"/>	+\$0
99T	recograin teak <input type="checkbox"/>	+\$0
9A1	white ash, quarter cut, low sheen <input type="checkbox"/>	+\$0
9K1	rift oak, rift cut, low sheen <input type="checkbox"/>	+\$0
9K6	burnt oak, rift cut, low sheen <input type="checkbox"/>	+\$0
G2U	light brown walnut, low sheen <input type="checkbox"/>	+\$0
G40	dark brown walnut, low sheen <input type="checkbox"/>	+\$0

Sled Base Pedestal Stone Top

continued

Premium Veneer - Matte

For four box drawer (-B3)

662	toasted walnut, matte sheen <input type="checkbox"/>	+\$0
663	charred walnut, matte sheen <input type="checkbox"/>	+\$0
664	bronzed walnut, matte sheen <input type="checkbox"/>	+\$0
665	smoked walnut, matte sheen <input type="checkbox"/>	+\$0
666	coffee walnut, matte sheen <input type="checkbox"/>	+\$0
667	smoked paldao, quarter cut, matte sheen <input type="checkbox"/>	+\$844
669	warm paldao, quarter cut, matte sheen <input type="checkbox"/>	+\$844
66A	recograin frosty ash <input type="checkbox"/>	+\$0
677	chocolate ash, matte sheen <input type="checkbox"/>	+\$0
678	natural oak <input type="checkbox"/>	+\$0
68R	recograin rosewood <input type="checkbox"/>	+\$0
69A	recograin frosty ash <input type="checkbox"/>	+\$0
69R	recograin rosewood <input type="checkbox"/>	+\$0
69T	recograin teak <input type="checkbox"/>	+\$0
6A1	white ash <input type="checkbox"/>	+\$0
6K1	rift oak <input type="checkbox"/>	+\$0
6K6	burnt oak <input type="checkbox"/>	+\$0
ET	clear on ash <input type="checkbox"/>	+\$0
EU	oak on ash <input type="checkbox"/>	+\$0
EV	walnut on ash <input type="checkbox"/>	+\$0
GOU	natural walnut, flat cut, matte sheen <input type="checkbox"/>	+\$0

RecoGrain Veneer

For four box drawer (-B3)

68W	recograin walnut, flat cut, matte sheen <input type="checkbox"/>	-\$282
69K	recograin oak, quarter cut, matte sheen <input type="checkbox"/>	-\$282
69W	recograin walnut, quarter cut, matte sheen <input type="checkbox"/>	-\$282

Recon Veneer -

For four box drawer (-B3)

98W	recograin walnut, flat cut, low sheen <input type="checkbox"/>	-\$181
99K	recograin oak, quarter cut, low sheen <input type="checkbox"/>	-\$181
99W	recograin walnut, quarter cut, low sheen <input type="checkbox"/>	-\$181

Premium Veneer - Low Sheen

For box, box, file (-B4)

931	champagne anigre (natural) <input type="checkbox"/>	+\$2083
932	sundance anigre <input type="checkbox"/>	+\$2083
933	caramel anigre <input type="checkbox"/>	+\$2083
934	henna anigre <input type="checkbox"/>	+\$2083
941	natural beech <input type="checkbox"/>	+\$0
942	sundance cherry (natural) <input type="checkbox"/>	+\$0
943	caramel cherry <input type="checkbox"/>	+\$0
946	cocoa cherry <input type="checkbox"/>	+\$0
951	natural anigre <input type="checkbox"/>	+\$2083
956	cocoa sapele <input type="checkbox"/>	+\$0
962	toasted walnut, low sheen <input type="checkbox"/>	+\$0
963	charred walnut, low sheen <input type="checkbox"/>	+\$0
964	bronzed walnut, low sheen <input type="checkbox"/>	+\$0
965	smoked walnut, low sheen <input type="checkbox"/>	+\$0
966	coffee walnut, low sheen <input type="checkbox"/>	+\$0
967	smoked paldao, low sheen <input type="checkbox"/>	+\$781
969	warm paldao, low sheen <input type="checkbox"/>	+\$781
977	chocolate ash, low sheen <input type="checkbox"/>	+\$0
978	natural oak <input type="checkbox"/>	+\$0
981	champagne hickory (natural) <input type="checkbox"/>	+\$0
98R	recograin rosewood <input type="checkbox"/>	+\$0
991	champagne ash <input type="checkbox"/>	+\$0
998	ebony ash <input type="checkbox"/>	+\$0
99A	recograin frosty ash <input type="checkbox"/>	+\$0
99R	recograin rosewood <input type="checkbox"/>	+\$0
99T	recograin teak <input type="checkbox"/>	+\$0
9A1	white ash, quarter cut, low sheen <input type="checkbox"/>	+\$0
9K1	rift oak, rift cut, low sheen <input type="checkbox"/>	+\$0
9K6	burnt oak, rift cut, low sheen <input type="checkbox"/>	+\$0
G2U	light brown walnut, low sheen <input type="checkbox"/>	+\$0
G40	dark brown walnut, low sheen <input type="checkbox"/>	+\$0

Sled Base Pedestal Stone Top

continued

HermanMiller Ancillary-Storage

Premium Veneer - Matte

For box, box, file (-B4)

662	toasted walnut, matte sheen <input type="checkbox"/>	+\$0
663	charred walnut, matte sheen <input type="checkbox"/>	+\$0
664	bronzed walnut, matte sheen <input type="checkbox"/>	+\$0
665	smoked walnut, matte sheen <input type="checkbox"/>	+\$0
666	coffee walnut, matte sheen <input type="checkbox"/>	+\$0
667	smoked paldao, quarter cut, matte sheen <input type="checkbox"/>	+\$781
669	warm paldao, quarter cut, matte sheen <input type="checkbox"/>	+\$781
66A	recograin frosty ash <input type="checkbox"/>	+\$0
677	chocolate ash, matte sheen <input type="checkbox"/>	+\$0
678	natural oak <input type="checkbox"/>	+\$0
68R	recograin rosewood <input type="checkbox"/>	+\$0
69A	recograin frosty ash <input type="checkbox"/>	+\$0
69R	recograin rosewood <input type="checkbox"/>	+\$0
69T	recograin teak <input type="checkbox"/>	+\$0
6A1	white ash <input type="checkbox"/>	+\$0
6K1	rift oak <input type="checkbox"/>	+\$0
6K6	burnt oak <input type="checkbox"/>	+\$0
ET	clear on ash <input type="checkbox"/>	+\$0
EU	oak on ash <input type="checkbox"/>	+\$0
EV	walnut on ash <input type="checkbox"/>	+\$0
GOU	natural walnut, flat cut, matte sheen <input type="checkbox"/>	+\$0

RecoGrain Veneer

For box, box, file (-B4)

68W	recograin walnut, flat cut, matte sheen <input type="checkbox"/>	-\$261
69K	recograin oak, quarter cut, matte sheen <input type="checkbox"/>	-\$261
69W	recograin walnut, quarter cut, matte sheen <input type="checkbox"/>	-\$261

Recon Veneer -

For box, box, file (-B4)

98W	recograin walnut, flat cut, low sheen <input type="checkbox"/>	-\$261
99K	recograin oak, quarter cut, low sheen <input type="checkbox"/>	-\$261
99W	recograin walnut, quarter cut, low sheen <input type="checkbox"/>	-\$261

Step 5. Stone or Marble Top

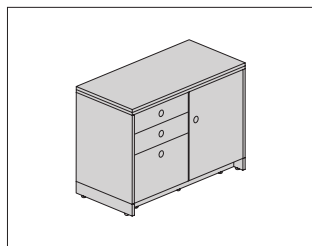
200	perfato marble <input type="checkbox"/>	+\$0
250	verde antique marble <input type="checkbox"/>	+\$0
400	black granite <input type="checkbox"/>	+\$0
5U	georgia grey marble <input type="checkbox"/>	+\$0
800	autumn brown granite <input type="checkbox"/>	+\$0
960	white carrara marble <input type="checkbox"/>	+\$0

Step 6. Metal Finish

CHR	chrome <input type="checkbox"/>	+\$0
SAC	satin chrome <input type="checkbox"/>	+\$0

Sled Base Credenza Two Units Wide and Stone Top

JCS2S



Product Information

Description

This two-unit wide sled base credenza has a stone top and includes 3"-high metal base on the 3/4"-thick credenza gable. Storage unit is 18"-wide. Ward Bennett Flip pulls come in matching metal finish.

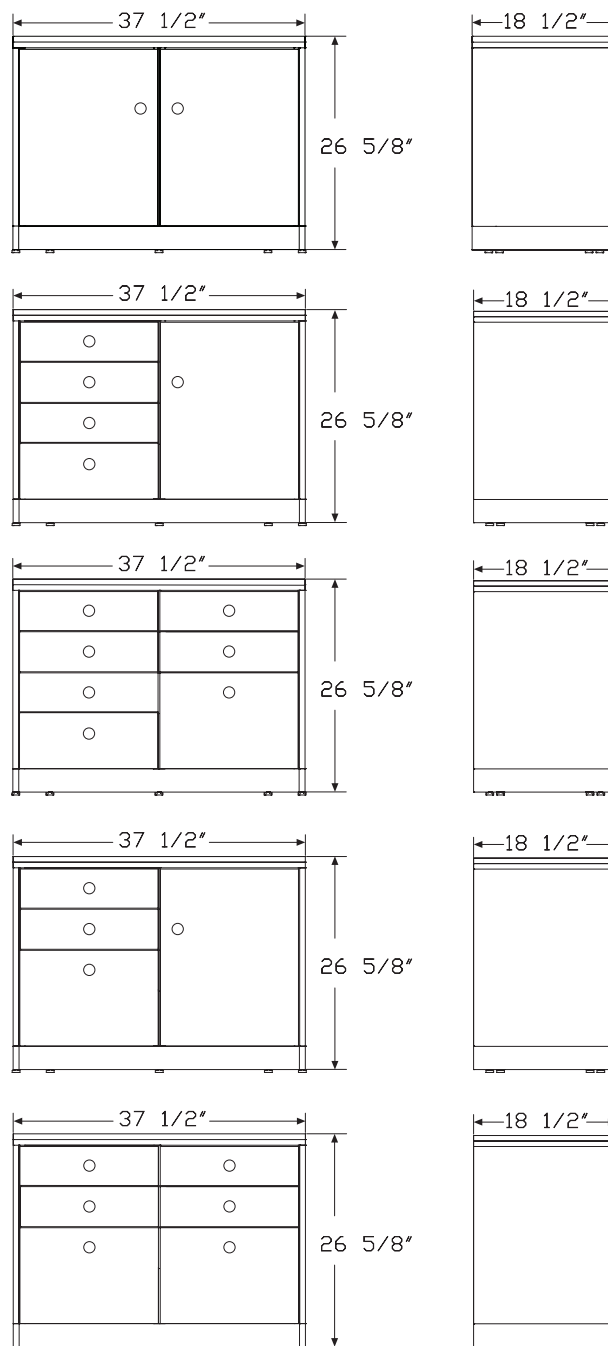
Notes

Sled base credenzas ship assembled.

Drawer credenzas include wood boxes and self-closing hidden drawer slides. Pencil tray and felt lining in bottom of drawer also included.

Santos palisander veneer is celebrated for its unique grain and color variations. Similar products ordered in multiples or dissimilar products ordered separately should be expected to have variation in both grain and color characteristics; no two products will look exactly alike.

Dimensions



HermanMiller Ancillary—Storage

Sled Base Credenza Two Units Wide and Stone Top *continued*

Specification Information					
Step 1.					
JCS2S <input type="checkbox"/>					
Step 2. Size					
-1938	18 ¹ / ₂ " deep	x 37 ¹ / ₂ " wide	x 26 ⁵ / ₈ " high	<input type="checkbox"/>	
Step 3. Configuration					
-B2B2	two doors	<input type="checkbox"/>			
-B3B2	four drawers left, single door right	<input type="checkbox"/>			
-B3B4	four drawers left, BBF right	<input type="checkbox"/>			
-B4B2	BBF left, single door right	<input type="checkbox"/>			
-B4B4	BBF left, BBF right	<input type="checkbox"/>			
Prices for Steps 1-3.					
		-B2B2	-B3B2	-B3B4	-B4B2 -B4B4
JCS2S	-1938	\$11741	13401	14428	12766 13799

Step 4. Wood Finish		
Premium Veneer - Low Sheen		
<i>For two doors (-B2B2)</i>		
931	champagne anigre (natural) <input type="checkbox"/>	+\$3075
932	sundance anigre <input type="checkbox"/>	+\$3075
933	caramel anigre <input type="checkbox"/>	+\$3075
934	henna anigre <input type="checkbox"/>	+\$3075
941	natural beech <input type="checkbox"/>	+\$0
942	sundance cherry (natural) <input type="checkbox"/>	+\$0
943	caramel cherry <input type="checkbox"/>	+\$0
946	cocoa cherry <input type="checkbox"/>	+\$0
951	natural anigre <input type="checkbox"/>	+\$3075
956	cocoa sapele <input type="checkbox"/>	+\$0
962	toasted walnut, low sheen <input type="checkbox"/>	+\$0
963	charred walnut, low sheen <input type="checkbox"/>	+\$0
964	bronzed walnut, low sheen <input type="checkbox"/>	+\$0
965	smoked walnut, low sheen <input type="checkbox"/>	+\$0
966	coffee walnut, low sheen <input type="checkbox"/>	+\$0
967	smoked paldao, low sheen <input type="checkbox"/>	+\$1153
969	warm paldao, low sheen <input type="checkbox"/>	+\$1153
977	chocolate ash, low sheen <input type="checkbox"/>	+\$0
978	natural oak <input type="checkbox"/>	+\$0
981	champagne hickory (natural) <input type="checkbox"/>	+\$0
98R	recograin rosewood <input type="checkbox"/>	+\$0
991	champagne ash <input type="checkbox"/>	+\$0
998	ebony ash <input type="checkbox"/>	+\$0
99A	recograin frosty ash <input type="checkbox"/>	+\$0
99R	recograin rosewood <input type="checkbox"/>	+\$0
99T	recograin teak <input type="checkbox"/>	+\$0
9A1	white ash, quarter cut, low sheen <input type="checkbox"/>	+\$0
9K1	rift oak, rift cut, low sheen <input type="checkbox"/>	+\$0
9K6	burnt oak, rift cut, low sheen <input type="checkbox"/>	+\$0
G2U	light brown walnut, low sheen <input type="checkbox"/>	+\$0
G40	dark brown walnut, low sheen <input type="checkbox"/>	+\$0

Sled Base Credenza Two Units

Wide and Stone Top *continued*

Premium Veneer - Matte

For two doors (-B2B2)

662	toasted walnut, matte sheen <input type="checkbox"/>	+\$0
663	charred walnut, matte sheen <input type="checkbox"/>	+\$0
664	bronzed walnut, matte sheen <input type="checkbox"/>	+\$0
665	smoked walnut, matte sheen <input type="checkbox"/>	+\$0
666	coffee walnut, matte sheen <input type="checkbox"/>	+\$0
667	smoked paldao, quarter cut, matte sheen <input type="checkbox"/>	+\$1153
669	warm paldao, quarter cut, matte sheen <input type="checkbox"/>	+\$1153
66A	recograin frosty ash <input type="checkbox"/>	+\$0
677	chocolate ash, matte sheen <input type="checkbox"/>	+\$0
678	natural oak <input type="checkbox"/>	+\$0
68R	recograin rosewood <input type="checkbox"/>	+\$0
69A	recograin frosty ash <input type="checkbox"/>	+\$0
69R	recograin rosewood <input type="checkbox"/>	+\$0
69T	recograin teak <input type="checkbox"/>	+\$0
6A1	white ash <input type="checkbox"/>	+\$0
6K1	rift oak <input type="checkbox"/>	+\$0
6K6	burnt oak <input type="checkbox"/>	+\$0
ET	clear on ash <input type="checkbox"/>	+\$0
EU	oak on ash <input type="checkbox"/>	+\$0
EV	walnut on ash <input type="checkbox"/>	+\$0
GOU	natural walnut, flat cut, matte sheen <input type="checkbox"/>	+\$0

RecoGrain Veneer

For two doors (-B2B2)

68W	recograin walnut, flat cut, matte sheen <input type="checkbox"/>	-\$385
69K	recograin oak, quarter cut, matte sheen <input type="checkbox"/>	-\$385
69W	recograin walnut, quarter cut, matte sheen <input type="checkbox"/>	-\$385

Recon Veneer -

For two doors (-B2B2)

98W	recograin walnut, flat cut, low sheen <input type="checkbox"/>	-\$385
99K	recograin oak, quarter cut, low sheen <input type="checkbox"/>	-\$385
99W	recograin walnut, quarter cut, low sheen <input type="checkbox"/>	-\$385

Premium Veneer - Low Sheen

For four drawers left, single door right (-B3B2)

931	champagne anigre (natural) <input type="checkbox"/>	+\$3510
932	sundance anigre <input type="checkbox"/>	+\$3510
933	caramel anigre <input type="checkbox"/>	+\$3510
934	henna anigre <input type="checkbox"/>	+\$3510
941	natural beech <input type="checkbox"/>	+\$0
942	sundance cherry (natural) <input type="checkbox"/>	+\$0
943	caramel cherry <input type="checkbox"/>	+\$0
946	cocoa cherry <input type="checkbox"/>	+\$0
951	natural anigre <input type="checkbox"/>	+\$3510
956	cocoa sapele <input type="checkbox"/>	+\$0
962	toasted walnut, low sheen <input type="checkbox"/>	+\$0
963	charred walnut, low sheen <input type="checkbox"/>	+\$0
964	bronzed walnut, low sheen <input type="checkbox"/>	+\$0
965	smoked walnut, low sheen <input type="checkbox"/>	+\$0
966	coffee walnut, low sheen <input type="checkbox"/>	+\$0
967	smoked paldao, low sheen <input type="checkbox"/>	+\$1316
969	warm paldao, low sheen <input type="checkbox"/>	+\$1316
977	chocolate ash, low sheen <input type="checkbox"/>	+\$0
978	natural oak <input type="checkbox"/>	+\$0
981	champagne hickory (natural) <input type="checkbox"/>	+\$0
98R	recograin rosewood <input type="checkbox"/>	+\$0
991	champagne ash <input type="checkbox"/>	+\$0
998	ebony ash <input type="checkbox"/>	+\$0
99A	recograin frosty ash <input type="checkbox"/>	+\$0
99R	recograin rosewood <input type="checkbox"/>	+\$0
99T	recograin teak <input type="checkbox"/>	+\$0
9A1	white ash, quarter cut, low sheen <input type="checkbox"/>	+\$0
9K1	rift oak, rift cut, low sheen <input type="checkbox"/>	+\$0
9K6	burnt oak, rift cut, low sheen <input type="checkbox"/>	+\$0
G2U	light brown walnut, low sheen <input type="checkbox"/>	+\$0
G40	dark brown walnut, low sheen <input type="checkbox"/>	+\$0

Sled Base Credenza Two Units Wide and Stone Top *continued*

HermanMiller Ancillary-Storage

Premium Veneer - Matte

For four drawers left, single door right (-B3B2)

662	toasted walnut, matte sheen A	+\$0
663	charred walnut, matte sheen A	+\$0
664	bronzed walnut, matte sheen A	+\$0
665	smoked walnut, matte sheen A	+\$0
666	coffee walnut, matte sheen A	+\$0
667	smoked paldao, quarter cut, matte sheen A	+\$1316
669	warm paldao, quarter cut, matte sheen A	+\$1316
66A	recograin frosty ash A	+\$0
677	chocolate ash, matte sheen A	+\$0
678	natural oak A	+\$0
68R	recograin rosewood A	+\$0
69A	recograin frosty ash A	+\$0
69R	recograin rosewood A	+\$0
69T	recograin teak A	+\$0
6A1	white ash A	+\$0
6K1	rift oak A	+\$0
6K6	burnt oak A	+\$0
ET	clear on ash A	+\$0
EU	oak on ash A	+\$0
EV	walnut on ash A	+\$0
GOU	natural walnut, flat cut, matte sheen A	+\$0

RecoGrain Veneer

For four drawers left, single door right (-B3B2)

68W	recograin walnut, flat cut, matte sheen A	-\$439
69K	recograin oak, quarter cut, matte sheen A	-\$439
69W	recograin walnut, quarter cut, matte sheen A	-\$439

Recon Veneer -

For four drawers left, single door right (-B3B2)

98W	recograin walnut, flat cut, low sheen A	-\$439
99K	recograin oak, quarter cut, low sheen A	-\$439
99W	recograin walnut, quarter cut, low sheen A	-\$439

Premium Veneer - Low Sheen

For four drawers left, BBF right (-B3B4)

931	champagne anigre (natural) A	+\$3778
932	sundance anigre A	+\$3778
933	caramel anigre A	+\$3778
934	henna anigre A	+\$3778
941	natural beech A	+\$0
942	sundance cherry (natural) A	+\$0
943	caramel cherry A	+\$0
946	cocoa cherry A	+\$0
951	natural anigre A	+\$3778
956	cocoa sapele A	+\$0
962	toasted walnut, low sheen A	+\$0
963	charred walnut, low sheen A	+\$0
964	bronzed walnut, low sheen A	+\$0
965	smoked walnut, low sheen A	+\$0
966	coffee walnut, low sheen A	+\$0
967	smoked paldao, low sheen A	+\$1417
969	warm paldao, low sheen A	+\$1417
977	chocolate ash, low sheen A	+\$0
978	natural oak A	+\$0
981	champagne hickory (natural) A	+\$0
98R	recograin rosewood A	+\$0
991	champagne ash A	+\$0
998	ebony ash A	+\$0
99A	recograin frosty ash A	+\$0
99R	recograin rosewood A	+\$0
99T	recograin teak A	+\$0
9A1	white ash, quarter cut, low sheen A	+\$0
9K1	rift oak, rift cut, low sheen A	+\$0
9K6	burnt oak, rift cut, low sheen A	+\$0
G2U	light brown walnut, low sheen A	+\$0
G40	dark brown walnut, low sheen A	+\$0

Sled Base Credenza Two Units

Wide and Stone Top *continued*

Premium Veneer - Matte

For four drawers left, BBF right (-B3B4)

662	toasted walnut, matte sheen <input type="checkbox"/>	+\$0
663	charred walnut, matte sheen <input type="checkbox"/>	+\$0
664	bronzed walnut, matte sheen <input type="checkbox"/>	+\$0
665	smoked walnut, matte sheen <input type="checkbox"/>	+\$0
666	coffee walnut, matte sheen <input type="checkbox"/>	+\$0
667	smoked paldao, quarter cut, matte sheen <input type="checkbox"/>	+\$1417
669	warm paldao, quarter cut, matte sheen <input type="checkbox"/>	+\$1417
66A	recograin frosty ash <input type="checkbox"/>	+\$0
677	chocolate ash, matte sheen <input type="checkbox"/>	+\$0
678	natural oak <input type="checkbox"/>	+\$0
68R	recograin rosewood <input type="checkbox"/>	+\$0
69A	recograin frosty ash <input type="checkbox"/>	+\$0
69R	recograin rosewood <input type="checkbox"/>	+\$0
69T	recograin teak <input type="checkbox"/>	+\$0
6A1	white ash <input type="checkbox"/>	+\$0
6K1	rift oak <input type="checkbox"/>	+\$0
6K6	burnt oak <input type="checkbox"/>	+\$0
ET	clear on ash <input type="checkbox"/>	+\$0
EU	oak on ash <input type="checkbox"/>	+\$0
EV	walnut on ash <input type="checkbox"/>	+\$0
GOU	natural walnut, flat cut, matte sheen <input type="checkbox"/>	+\$0

RecoGrain Veneer

For four drawers left, BBF right (-B3B4)

68W	recograin walnut, flat cut, matte sheen <input type="checkbox"/>	-\$473
69K	recograin oak, quarter cut, matte sheen <input type="checkbox"/>	-\$473
69W	recograin walnut, quarter cut, matte sheen <input type="checkbox"/>	-\$473

Recon Veneer -

For four drawers left, BBF right (-B3B4)

98W	recograin walnut, flat cut, low sheen <input type="checkbox"/>	-\$473
99K	recograin oak, quarter cut, low sheen <input type="checkbox"/>	-\$473
99W	recograin walnut, quarter cut, low sheen <input type="checkbox"/>	-\$473

Premium Veneer - Low Sheen

For BBF left, single door right (-B4B2)

931	champagne anigre (natural) <input type="checkbox"/>	+\$3343
932	sundance anigre <input type="checkbox"/>	+\$3343
933	caramel anigre <input type="checkbox"/>	+\$3343
934	henna anigre <input type="checkbox"/>	+\$3343
941	natural beech <input type="checkbox"/>	+\$0
942	sundance cherry (natural) <input type="checkbox"/>	+\$0
943	caramel cherry <input type="checkbox"/>	+\$0
946	cocoa cherry <input type="checkbox"/>	+\$0
951	natural anigre <input type="checkbox"/>	+\$3343
956	cocoa sapele <input type="checkbox"/>	+\$0
962	toasted walnut, low sheen <input type="checkbox"/>	+\$0
963	charred walnut, low sheen <input type="checkbox"/>	+\$0
964	bronzed walnut, low sheen <input type="checkbox"/>	+\$0
965	smoked walnut, low sheen <input type="checkbox"/>	+\$0
966	coffee walnut, low sheen <input type="checkbox"/>	+\$0
967	smoked paldao, low sheen <input type="checkbox"/>	+\$1254
969	warm paldao, low sheen <input type="checkbox"/>	+\$1254
977	chocolate ash, low sheen <input type="checkbox"/>	+\$0
978	natural oak <input type="checkbox"/>	+\$0
981	champagne hickory (natural) <input type="checkbox"/>	+\$0
98R	recograin rosewood <input type="checkbox"/>	+\$0
991	champagne ash <input type="checkbox"/>	+\$0
998	ebony ash <input type="checkbox"/>	+\$0
99A	recograin frosty ash <input type="checkbox"/>	+\$0
99R	recograin rosewood <input type="checkbox"/>	+\$0
99T	recograin teak <input type="checkbox"/>	+\$0
9A1	white ash, quarter cut, low sheen <input type="checkbox"/>	+\$0
9K1	rift oak, rift cut, low sheen <input type="checkbox"/>	+\$0
9K6	burnt oak, rift cut, low sheen <input type="checkbox"/>	+\$0
G2U	light brown walnut, low sheen <input type="checkbox"/>	+\$0
G40	dark brown walnut, low sheen <input type="checkbox"/>	+\$0

Sled Base Credenza Two Units Wide and Stone Top *continued*

Premium Veneer - Matte

For BBF left, single door right (-B4B2)

662	toasted walnut, matte sheen <input type="checkbox"/>	+\$0
663	charred walnut, matte sheen <input type="checkbox"/>	+\$0
664	bronzed walnut, matte sheen <input type="checkbox"/>	+\$0
665	smoked walnut, matte sheen <input type="checkbox"/>	+\$0
666	coffee walnut, matte sheen <input type="checkbox"/>	+\$0
667	smoked paldao, quarter cut, matte sheen <input type="checkbox"/>	+\$1254
669	warm paldao, quarter cut, matte sheen <input type="checkbox"/>	+\$1254
66A	recograin frosty ash <input type="checkbox"/>	+\$0
677	chocolate ash, matte sheen <input type="checkbox"/>	+\$0
678	natural oak <input type="checkbox"/>	+\$0
68R	recograin rosewood <input type="checkbox"/>	+\$0
69A	recograin frosty ash <input type="checkbox"/>	+\$0
69R	recograin rosewood <input type="checkbox"/>	+\$0
69T	recograin teak <input type="checkbox"/>	+\$0
6A1	white ash <input type="checkbox"/>	+\$0
6K1	rift oak <input type="checkbox"/>	+\$0
6K6	burnt oak <input type="checkbox"/>	+\$0
ET	clear on ash <input type="checkbox"/>	+\$0
EU	oak on ash <input type="checkbox"/>	+\$0
EV	walnut on ash <input type="checkbox"/>	+\$0
GOU	natural walnut, flat cut, matte sheen <input type="checkbox"/>	+\$0

RecoGrain Veneer

For BBF left, single door right (-B4B2)

68W	recograin walnut, flat cut, matte sheen <input type="checkbox"/>	-\$418
69K	recograin oak, quarter cut, matte sheen <input type="checkbox"/>	-\$418
69W	recograin walnut, quarter cut, matte sheen <input type="checkbox"/>	-\$418

Recon Veneer -

For BBF left, single door right (-B4B2)

98W	recograin walnut, flat cut, low sheen <input type="checkbox"/>	-\$418
99K	recograin oak, quarter cut, low sheen <input type="checkbox"/>	-\$418
99W	recograin walnut, quarter cut, low sheen <input type="checkbox"/>	-\$418

Premium Veneer - Low Sheen

For BBF left, BBF right (-B4B4)

931	champagne anigre (natural) <input type="checkbox"/>	+\$3614
932	sundance anigre <input type="checkbox"/>	+\$3614
933	caramel anigre <input type="checkbox"/>	+\$3614
934	henna anigre <input type="checkbox"/>	+\$3614
941	natural beech <input type="checkbox"/>	+\$0
942	sundance cherry (natural) <input type="checkbox"/>	+\$0
943	caramel cherry <input type="checkbox"/>	+\$0
946	cocoa cherry <input type="checkbox"/>	+\$0
951	natural anigre <input type="checkbox"/>	+\$3614
956	cocoa sapele <input type="checkbox"/>	+\$0
962	toasted walnut, low sheen <input type="checkbox"/>	+\$0
963	charred walnut, low sheen <input type="checkbox"/>	+\$0
964	bronzed walnut, low sheen <input type="checkbox"/>	+\$0
965	smoked walnut, low sheen <input type="checkbox"/>	+\$0
966	coffee walnut, low sheen <input type="checkbox"/>	+\$0
967	smoked paldao, low sheen <input type="checkbox"/>	+\$1355
969	warm paldao, low sheen <input type="checkbox"/>	+\$1355
977	chocolate ash, low sheen <input type="checkbox"/>	+\$0
978	natural oak <input type="checkbox"/>	+\$0
981	champagne hickory (natural) <input type="checkbox"/>	+\$0
98R	recograin rosewood <input type="checkbox"/>	+\$0
991	champagne ash <input type="checkbox"/>	+\$0
998	ebony ash <input type="checkbox"/>	+\$0
99A	recograin frosty ash <input type="checkbox"/>	+\$0
99R	recograin rosewood <input type="checkbox"/>	+\$0
99T	recograin teak <input type="checkbox"/>	+\$0
9A1	white ash, quarter cut, low sheen <input type="checkbox"/>	+\$0
9K1	rift oak, rift cut, low sheen <input type="checkbox"/>	+\$0
9K6	burnt oak, rift cut, low sheen <input type="checkbox"/>	+\$0
G2U	light brown walnut, low sheen <input type="checkbox"/>	+\$0
G40	dark brown walnut, low sheen <input type="checkbox"/>	+\$0

Sled Base Credenza Two Units Wide and Stone Top *continued*

Premium Veneer - Matte

For BBF left, BBF right (-B4B4)

662	toasted walnut, matte sheen <input type="checkbox"/>	+\$0
663	charred walnut, matte sheen <input type="checkbox"/>	+\$0
664	bronzed walnut, matte sheen <input type="checkbox"/>	+\$0
665	smoked walnut, matte sheen <input type="checkbox"/>	+\$0
666	coffee walnut, matte sheen <input type="checkbox"/>	+\$0
667	smoked paldao, quarter cut, matte sheen <input type="checkbox"/>	+\$1355
669	warm paldao, quarter cut, matte sheen <input type="checkbox"/>	+\$1355
66A	recograin frosty ash <input type="checkbox"/>	+\$0
677	chocolate ash, matte sheen <input type="checkbox"/>	+\$0
678	natural oak <input type="checkbox"/>	+\$0
68R	recograin rosewood <input type="checkbox"/>	+\$0
69A	recograin frosty ash <input type="checkbox"/>	+\$0
69R	recograin rosewood <input type="checkbox"/>	+\$0
69T	recograin teak <input type="checkbox"/>	+\$0
6A1	white ash <input type="checkbox"/>	+\$0
6K1	rift oak <input type="checkbox"/>	+\$0
6K6	burnt oak <input type="checkbox"/>	+\$0
ET	clear on ash <input type="checkbox"/>	+\$0
EU	oak on ash <input type="checkbox"/>	+\$0
EV	walnut on ash <input type="checkbox"/>	+\$0
GOU	natural walnut, flat cut, matte sheen <input type="checkbox"/>	+\$0

RecoGrain Veneer

For BBF left, BBF right (-B4B4)

68W	recograin walnut, flat cut, matte sheen <input type="checkbox"/>	-\$452
69K	recograin oak, quarter cut, matte sheen <input type="checkbox"/>	-\$452
69W	recograin walnut, quarter cut, matte sheen <input type="checkbox"/>	-\$452

Recon Veneer -

For BBF left, BBF right (-B4B4)

98W	recograin walnut, flat cut, low sheen <input type="checkbox"/>	-\$452
99K	recograin oak, quarter cut, low sheen <input type="checkbox"/>	-\$452
99W	recograin walnut, quarter cut, low sheen <input type="checkbox"/>	-\$452

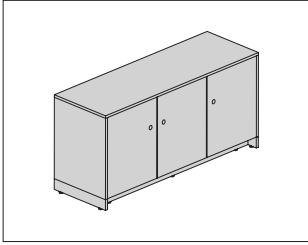
Step 5. Stone or Marble Top

200	perfato marble <input type="checkbox"/>	+\$0
250	verde antique marble <input type="checkbox"/>	+\$0
400	black granite <input type="checkbox"/>	+\$0
5U	georgia grey marble <input type="checkbox"/>	+\$0
800	autumn brown granite <input type="checkbox"/>	+\$0
960	white carrara marble <input type="checkbox"/>	+\$0

Step 6. Metal Finish

CHR	chrome <input type="checkbox"/>	+\$0
SAC	satin chrome <input type="checkbox"/>	+\$0

Sled Base Credenza Three Units JCS3S
Wide and Stone Top



HermanMiller Ancillary-Storage

Product Information

Description

This three-unit wide sled base credenza has a stone top and includes 3"-high metal base on the 3/4"-thick credenza gable. Storage unit is 18"-wide. Ward Bennett Flip pulls come in matching metal finish.

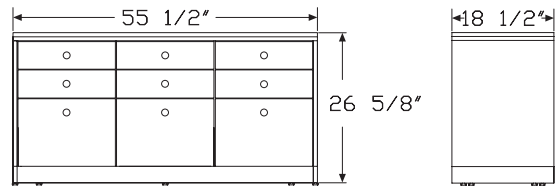
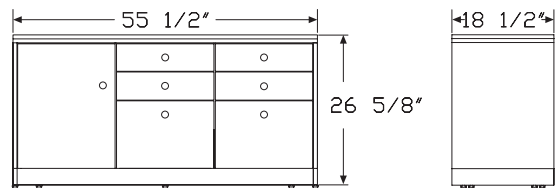
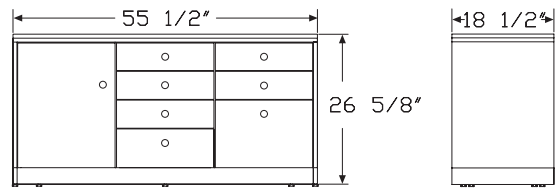
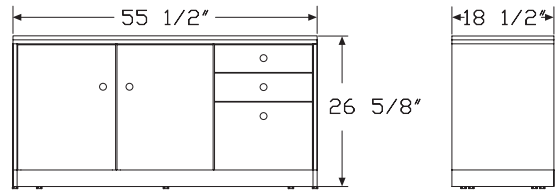
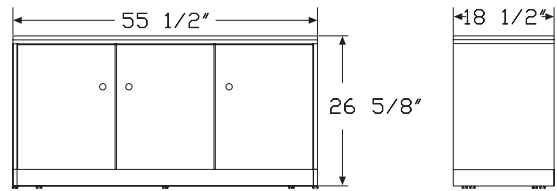
Notes

Sled base credenzas ship assembled.

Drawer credenzas include wood boxes and self-closing hidden drawer slides. Pencil tray and felt lining in bottom of drawer also included.

Santos palisander veneer is celebrated for its unique grain and color variations. Similar products ordered in multiples or dissimilar products ordered separately should be expected to have variation in both grain and color characteristics; no two products will look exactly alike.

Dimensions



Sled Base Credenza Three Units Wide and Stone Top *continued*

Specification Information

Step 1.

JCS3S

Step 2. Size

-1956 18½" deep x 55½" wide x 26⅝" high

Step 3. Configuration

-B2B2B2 three single doors

-B2B2B4 single door left, single door center, BBF right

-B2B3B4 single door left, 4 box center, BBF right

-B2B4B4 single door left, BBF center, BBF right

-B4B4B4 BBF left, BBF center, BBF right

Prices for Steps 1-3.

	-B2B2B2	-B2B2B4	-B2B3B4	-B2B4B4	-B4B4B4
JCS3S -1956	\$15840	16864	18523	17890	18912

Step 4. Wood Finish

Premium Veneer - Low Sheen

For three single doors (-B2B2B2)

931	champagne anigre (natural) <input type="checkbox"/>	+\$4148
932	sundance anigre <input type="checkbox"/>	+\$4148
933	caramel anigre <input type="checkbox"/>	+\$4148
934	henna anigre <input type="checkbox"/>	+\$4148
941	natural beech <input type="checkbox"/>	+\$0
942	sundance cherry (natural) <input type="checkbox"/>	+\$0
943	caramel cherry <input type="checkbox"/>	+\$0
946	cocoa cherry <input type="checkbox"/>	+\$0
951	natural anigre <input type="checkbox"/>	+\$4148
956	cocoa sapele <input type="checkbox"/>	+\$0
962	toasted walnut, low sheen <input type="checkbox"/>	+\$0
963	charred walnut, low sheen <input type="checkbox"/>	+\$0
964	bronzed walnut, low sheen <input type="checkbox"/>	+\$0
965	smoked walnut, low sheen <input type="checkbox"/>	+\$0
966	coffee walnut, low sheen <input type="checkbox"/>	+\$0
967	smoked paldao, low sheen <input type="checkbox"/>	+\$1556
969	warm paldao, low sheen <input type="checkbox"/>	+\$1556
977	chocolate ash, low sheen <input type="checkbox"/>	+\$0
978	natural oak <input type="checkbox"/>	+\$0
981	champagne hickory (natural) <input type="checkbox"/>	+\$0
98R	recograin rosewood <input type="checkbox"/>	+\$0
991	champagne ash <input type="checkbox"/>	+\$0
998	ebony ash <input type="checkbox"/>	+\$0
99A	recograin frosty ash <input type="checkbox"/>	+\$0
99R	recograin rosewood <input type="checkbox"/>	+\$0
99T	recograin teak <input type="checkbox"/>	+\$0
9A1	white ash, quarter cut, low sheen <input type="checkbox"/>	+\$0
9K1	rift oak, rift cut, low sheen <input type="checkbox"/>	+\$0
9K6	burnt oak, rift cut, low sheen <input type="checkbox"/>	+\$0
G2U	light brown walnut, low sheen <input type="checkbox"/>	+\$0
G40	dark brown walnut, low sheen <input type="checkbox"/>	+\$0

Sled Base Credenza Three Units Wide and Stone Top *continued*

HermanMiller Ancillary-Storage

Premium Veneer - Matte		
<i>For three single doors (-B2B2B2)</i>		
662	toasted walnut, matte sheen <input type="checkbox"/>	+\$0
663	charred walnut, matte sheen <input type="checkbox"/>	+\$0
664	bronzed walnut, matte sheen <input type="checkbox"/>	+\$0
665	smoked walnut, matte sheen <input type="checkbox"/>	+\$0
666	coffee walnut, matte sheen <input type="checkbox"/>	+\$0
667	smoked paldao, quarter cut, matte sheen <input type="checkbox"/>	+\$1556
669	warm paldao, quarter cut, matte sheen <input type="checkbox"/>	+\$1556
66A	recograin frosty ash <input type="checkbox"/>	+\$0
677	chocolate ash, matte sheen <input type="checkbox"/>	+\$0
678	natural oak <input type="checkbox"/>	+\$0
68R	recograin rosewood <input type="checkbox"/>	+\$0
69A	recograin frosty ash <input type="checkbox"/>	+\$0
69R	recograin rosewood <input type="checkbox"/>	+\$0
69T	recograin teak <input type="checkbox"/>	+\$0
6A1	white ash <input type="checkbox"/>	+\$0
6K1	rift oak <input type="checkbox"/>	+\$0
6K6	burnt oak <input type="checkbox"/>	+\$0
ET	clear on ash <input type="checkbox"/>	+\$0
EU	oak on ash <input type="checkbox"/>	+\$0
EV	walnut on ash <input type="checkbox"/>	+\$0
GOU	natural walnut, flat cut, matte sheen <input type="checkbox"/>	+\$0

RecoGrain Veneer		
<i>For three single doors (-B2B2B2)</i>		
68W	recograin walnut, flat cut, matte sheen <input type="checkbox"/>	-\$519
69K	recograin oak, quarter cut, matte sheen <input type="checkbox"/>	-\$519
69W	recograin walnut, quarter cut, matte sheen <input type="checkbox"/>	-\$519

Recon Veneer -		
<i>For three single doors (-B2B2B2)</i>		
98W	recograin walnut, flat cut, low sheen <input type="checkbox"/>	-\$519
99K	recograin oak, quarter cut, low sheen <input type="checkbox"/>	-\$519
99W	recograin walnut, quarter cut, low sheen <input type="checkbox"/>	-\$519

Premium Veneer - Low Sheen		
<i>For single door left, single door center, BBF right (-B2B2B4)</i>		
931	champagne anigre (natural) <input type="checkbox"/>	+\$4416
932	sundance anigre <input type="checkbox"/>	+\$4416
933	caramel anigre <input type="checkbox"/>	+\$4416
934	henna anigre <input type="checkbox"/>	+\$4416
941	natural beech <input type="checkbox"/>	+\$0
942	sundance cherry (natural) <input type="checkbox"/>	+\$0
943	caramel cherry <input type="checkbox"/>	+\$0
946	cocoa cherry <input type="checkbox"/>	+\$0
951	natural anigre <input type="checkbox"/>	+\$4416
956	cocoa sapele <input type="checkbox"/>	+\$0
962	toasted walnut, low sheen <input type="checkbox"/>	+\$0
963	charred walnut, low sheen <input type="checkbox"/>	+\$0
964	bronzed walnut, low sheen <input type="checkbox"/>	+\$0
965	smoked walnut, low sheen <input type="checkbox"/>	+\$0
966	coffee walnut, low sheen <input type="checkbox"/>	+\$0
967	smoked paldao, low sheen <input type="checkbox"/>	+\$1656
969	warm paldao, low sheen <input type="checkbox"/>	+\$1656
977	chocolate ash, low sheen <input type="checkbox"/>	+\$0
978	natural oak <input type="checkbox"/>	+\$0
981	champagne hickory (natural) <input type="checkbox"/>	+\$0
98R	recograin rosewood <input type="checkbox"/>	+\$0
991	champagne ash <input type="checkbox"/>	+\$0
998	ebony ash <input type="checkbox"/>	+\$0
99A	recograin frosty ash <input type="checkbox"/>	+\$0
99R	recograin rosewood <input type="checkbox"/>	+\$0
99T	recograin teak <input type="checkbox"/>	+\$0
9A1	white ash, quarter cut, low sheen <input type="checkbox"/>	+\$0
9K1	rift oak, rift cut, low sheen <input type="checkbox"/>	+\$0
9K6	burnt oak, rift cut, low sheen <input type="checkbox"/>	+\$0
G2U	light brown walnut, low sheen <input type="checkbox"/>	+\$0
G40	dark brown walnut, low sheen <input type="checkbox"/>	+\$0

Sled Base Credenza Three Units

Wide and Stone Top *continued*

Premium Veneer - Matte

For single door left, single door center, BBF right (-B2B2B4)

662	toasted walnut, matte sheen <input type="checkbox"/>	+\$0
663	charred walnut, matte sheen <input type="checkbox"/>	+\$0
664	bronzed walnut, matte sheen <input type="checkbox"/>	+\$0
665	smoked walnut, matte sheen <input type="checkbox"/>	+\$0
666	coffee walnut, matte sheen <input type="checkbox"/>	+\$0
667	smoked paldao, quarter cut, matte sheen <input type="checkbox"/>	+\$1656
669	warm paldao, quarter cut, matte sheen <input type="checkbox"/>	+\$1656
66A	recograin frosty ash <input type="checkbox"/>	+\$0
677	chocolate ash, matte sheen <input type="checkbox"/>	+\$0
678	natural oak <input type="checkbox"/>	+\$0
68R	recograin rosewood <input type="checkbox"/>	+\$0
69A	recograin frosty ash <input type="checkbox"/>	+\$0
69R	recograin rosewood <input type="checkbox"/>	+\$0
69T	recograin teak <input type="checkbox"/>	+\$0
6A1	white ash <input type="checkbox"/>	+\$0
6K1	rift oak <input type="checkbox"/>	+\$0
6K6	burnt oak <input type="checkbox"/>	+\$0
ET	clear on ash <input type="checkbox"/>	+\$0
EU	oak on ash <input type="checkbox"/>	+\$0
EV	walnut on ash <input type="checkbox"/>	+\$0
GOU	natural walnut, flat cut, matte sheen <input type="checkbox"/>	+\$0

RecoGrain Veneer

For single door left, single door center, BBF right (-B2B2B4)

68W	recograin walnut, flat cut, matte sheen <input type="checkbox"/>	-\$552
69K	recograin oak, quarter cut, matte sheen <input type="checkbox"/>	-\$552
69W	recograin walnut, quarter cut, matte sheen <input type="checkbox"/>	-\$552

Recon Veneer -

For single door left, single door center, BBF right (-B2B2B4)

98W	recograin walnut, flat cut, low sheen <input type="checkbox"/>	-\$552
99K	recograin oak, quarter cut, low sheen <input type="checkbox"/>	-\$552
99W	recograin walnut, quarter cut, low sheen <input type="checkbox"/>	-\$552

Premium Veneer - Low Sheen

For single door left, 4 box center, BBF right (-B2B3B4)

931	champagne anigre (natural) <input type="checkbox"/>	+\$4851
932	sundance anigre <input type="checkbox"/>	+\$4851
933	caramel anigre <input type="checkbox"/>	+\$4851
934	henna anigre <input type="checkbox"/>	+\$4851
941	natural beech <input type="checkbox"/>	+\$0
942	sundance cherry (natural) <input type="checkbox"/>	+\$0
943	caramel cherry <input type="checkbox"/>	+\$0
946	cocoa cherry <input type="checkbox"/>	+\$0
951	natural anigre <input type="checkbox"/>	+\$4851
956	cocoa sapele <input type="checkbox"/>	+\$0
962	toasted walnut, low sheen <input type="checkbox"/>	+\$0
963	charred walnut, low sheen <input type="checkbox"/>	+\$0
964	bronzed walnut, low sheen <input type="checkbox"/>	+\$0
965	smoked walnut, low sheen <input type="checkbox"/>	+\$0
966	coffee walnut, low sheen <input type="checkbox"/>	+\$0
967	smoked paldao, low sheen <input type="checkbox"/>	+\$1820
969	warm paldao, low sheen <input type="checkbox"/>	+\$1820
977	chocolate ash, low sheen <input type="checkbox"/>	+\$0
978	natural oak <input type="checkbox"/>	+\$0
981	champagne hickory (natural) <input type="checkbox"/>	+\$0
98R	recograin rosewood <input type="checkbox"/>	+\$0
991	champagne ash <input type="checkbox"/>	+\$0
998	ebony ash <input type="checkbox"/>	+\$0
99A	recograin frosty ash <input type="checkbox"/>	+\$0
99R	recograin rosewood <input type="checkbox"/>	+\$0
99T	recograin teak <input type="checkbox"/>	+\$0
9A1	white ash, quarter cut, low sheen <input type="checkbox"/>	+\$0
9K1	rift oak, rift cut, low sheen <input type="checkbox"/>	+\$0
9K6	burnt oak, rift cut, low sheen <input type="checkbox"/>	+\$0
G2U	light brown walnut, low sheen <input type="checkbox"/>	+\$0
G40	dark brown walnut, low sheen <input type="checkbox"/>	+\$0

Sled Base Credenza Three Units Wide and Stone Top *continued*

Premium Veneer - Matte

For single door left, 4 box center, BBF right (-B2B3B4)

662	toasted walnut, matte sheen A	+\$0
663	charred walnut, matte sheen A	+\$0
664	bronzed walnut, matte sheen A	+\$0
665	smoked walnut, matte sheen A	+\$0
666	coffee walnut, matte sheen A	+\$0
667	smoked paldao, quarter cut, matte sheen A	+\$1820
669	warm paldao, quarter cut, matte sheen A	+\$1820
66A	recograin frosty ash A	+\$0
677	chocolate ash, matte sheen A	+\$0
678	natural oak A	+\$0
68R	recograin rosewood A	+\$0
69A	recograin frosty ash A	+\$0
69R	recograin rosewood A	+\$0
69T	recograin teak A	+\$0
6A1	white ash A	+\$0
6K1	rift oak A	+\$0
6K6	burnt oak A	+\$0
ET	clear on ash A	+\$0
EU	oak on ash A	+\$0
EV	walnut on ash A	+\$0
GOU	natural walnut, flat cut, matte sheen A	+\$0

RecoGrain Veneer

For single door left, 4 box center, BBF right (-B2B3B4)

68W	recograin walnut, flat cut, matte sheen A	-\$607
69K	recograin oak, quarter cut, matte sheen A	-\$607
69W	recograin walnut, quarter cut, matte sheen A	-\$607

Recon Veneer -

For single door left, 4 box center, BBF right (-B2B3B4)

98W	recograin walnut, flat cut, low sheen A	-\$607
99K	recograin oak, quarter cut, low sheen A	-\$607
99W	recograin walnut, quarter cut, low sheen A	-\$607

Premium Veneer - Low Sheen

For single door left, BBF center, BBF right (-B2B4B4)

931	champagne anigre (natural) A	+\$4685
932	sundance anigre A	+\$4685
933	caramel anigre A	+\$4685
934	henna anigre A	+\$4685
941	natural beech A	+\$0
942	sundance cherry (natural) A	+\$0
943	caramel cherry A	+\$0
946	cocoa cherry A	+\$0
951	natural anigre A	+\$4685
956	cocoa sapele A	+\$0
962	toasted walnut, low sheen A	+\$0
963	charred walnut, low sheen A	+\$0
964	bronzed walnut, low sheen A	+\$0
965	smoked walnut, low sheen A	+\$0
966	coffee walnut, low sheen A	+\$0
967	smoked paldao, low sheen A	+\$1757
969	warm paldao, low sheen A	+\$1757
977	chocolate ash, low sheen A	+\$0
978	natural oak A	+\$0
981	champagne hickory (natural) A	+\$0
98R	recograin rosewood A	+\$0
991	champagne ash A	+\$0
998	ebony ash A	+\$0
99A	recograin frosty ash A	+\$0
99R	recograin rosewood A	+\$0
99T	recograin teak A	+\$0
9A1	white ash, quarter cut, low sheen A	+\$0
9K1	rift oak, rift cut, low sheen A	+\$0
9K6	burnt oak, rift cut, low sheen A	+\$0
G2U	light brown walnut, low sheen A	+\$0
G40	dark brown walnut, low sheen A	+\$0

Sled Base Credenza Three Units

Wide and Stone Top *continued*

Premium Veneer - Matte

For single door left, BBF center, BBF right (-B2B4B4)

662	toasted walnut, matte sheen <input type="checkbox"/>	+\$0
663	charred walnut, matte sheen <input type="checkbox"/>	+\$0
664	bronzed walnut, matte sheen <input type="checkbox"/>	+\$0
665	smoked walnut, matte sheen <input type="checkbox"/>	+\$0
666	coffee walnut, matte sheen <input type="checkbox"/>	+\$0
667	smoked paldao, quarter cut, matte sheen <input type="checkbox"/>	+\$1757
669	warm paldao, quarter cut, matte sheen <input type="checkbox"/>	+\$1757
66A	recograin frosty ash <input type="checkbox"/>	+\$0
677	chocolate ash, matte sheen <input type="checkbox"/>	+\$0
678	natural oak <input type="checkbox"/>	+\$0
68R	recograin rosewood <input type="checkbox"/>	+\$0
69A	recograin frosty ash <input type="checkbox"/>	+\$0
69R	recograin rosewood <input type="checkbox"/>	+\$0
69T	recograin teak <input type="checkbox"/>	+\$0
6A1	white ash <input type="checkbox"/>	+\$0
6K1	rift oak <input type="checkbox"/>	+\$0
6K6	burnt oak <input type="checkbox"/>	+\$0
ET	clear on ash <input type="checkbox"/>	+\$0
EU	oak on ash <input type="checkbox"/>	+\$0
EV	walnut on ash <input type="checkbox"/>	+\$0
GOU	natural walnut, flat cut, matte sheen <input type="checkbox"/>	+\$0

RecoGrain Veneer

For single door left, BBF center, BBF right (-B2B4B4)

68W	recograin walnut, flat cut, matte sheen <input type="checkbox"/>	-\$586
69K	recograin oak, quarter cut, matte sheen <input type="checkbox"/>	-\$586
69W	recograin walnut, quarter cut, matte sheen <input type="checkbox"/>	-\$586

Recon Veneer -

For single door left, BBF center, BBF right (-B2B4B4)

98W	recograin walnut, flat cut, low sheen <input type="checkbox"/>	-\$586
99K	recograin oak, quarter cut, low sheen <input type="checkbox"/>	-\$586
99W	recograin walnut, quarter cut, low sheen <input type="checkbox"/>	-\$586

Premium Veneer - Low Sheen

For BBF left, BBF center, BBF right (-B4B4B4)

931	champagne anigre (natural) <input type="checkbox"/>	+\$4953
932	sundance anigre <input type="checkbox"/>	+\$4953
933	caramel anigre <input type="checkbox"/>	+\$4953
934	henna anigre <input type="checkbox"/>	+\$4953
941	natural beech <input type="checkbox"/>	+\$0
942	sundance cherry (natural) <input type="checkbox"/>	+\$0
943	caramel cherry <input type="checkbox"/>	+\$0
946	cocoa cherry <input type="checkbox"/>	+\$0
951	natural anigre <input type="checkbox"/>	+\$4953
956	cocoa sapele <input type="checkbox"/>	+\$0
962	toasted walnut, low sheen <input type="checkbox"/>	+\$0
963	charred walnut, low sheen <input type="checkbox"/>	+\$0
964	bronzed walnut, low sheen <input type="checkbox"/>	+\$0
965	smoked walnut, low sheen <input type="checkbox"/>	+\$0
966	coffee walnut, low sheen <input type="checkbox"/>	+\$0
967	smoked paldao, low sheen <input type="checkbox"/>	+\$1858
969	warm paldao, low sheen <input type="checkbox"/>	+\$1858
977	chocolate ash, low sheen <input type="checkbox"/>	+\$0
978	natural oak <input type="checkbox"/>	+\$0
981	champagne hickory (natural) <input type="checkbox"/>	+\$0
98R	recograin rosewood <input type="checkbox"/>	+\$0
991	champagne ash <input type="checkbox"/>	+\$0
998	ebony ash <input type="checkbox"/>	+\$0
99A	recograin frosty ash <input type="checkbox"/>	+\$0
99R	recograin rosewood <input type="checkbox"/>	+\$0
99T	recograin teak <input type="checkbox"/>	+\$0
9A1	white ash, quarter cut, low sheen <input type="checkbox"/>	+\$0
9K1	rift oak, rift cut, low sheen <input type="checkbox"/>	+\$0
9K6	burnt oak, rift cut, low sheen <input type="checkbox"/>	+\$0
G2U	light brown walnut, low sheen <input type="checkbox"/>	+\$0
G40	dark brown walnut, low sheen <input type="checkbox"/>	+\$0

Sled Base Credenza Three Units

Wide and Stone Top *continued*

Premium Veneer - Matte

For BBF left, BBF center, BBF right (-B4B4B4)

662	toasted walnut, matte sheen <input type="checkbox"/>	+\$0
663	charred walnut, matte sheen <input type="checkbox"/>	+\$0
664	bronzed walnut, matte sheen <input type="checkbox"/>	+\$0
665	smoked walnut, matte sheen <input type="checkbox"/>	+\$0
666	coffee walnut, matte sheen <input type="checkbox"/>	+\$0
667	smoked paldao, quarter cut, matte sheen <input type="checkbox"/>	+\$1858
669	warm paldao, quarter cut, matte sheen <input type="checkbox"/>	+\$1858
66A	recograin frosty ash <input type="checkbox"/>	+\$0
677	chocolate ash, matte sheen <input type="checkbox"/>	+\$0
678	natural oak <input type="checkbox"/>	+\$0
68R	recograin rosewood <input type="checkbox"/>	+\$0
69A	recograin frosty ash <input type="checkbox"/>	+\$0
69R	recograin rosewood <input type="checkbox"/>	+\$0
69T	recograin teak <input type="checkbox"/>	+\$0
6A1	white ash <input type="checkbox"/>	+\$0
6K1	rift oak <input type="checkbox"/>	+\$0
6K6	burnt oak <input type="checkbox"/>	+\$0
ET	clear on ash <input type="checkbox"/>	+\$0
EU	oak on ash <input type="checkbox"/>	+\$0
EV	walnut on ash <input type="checkbox"/>	+\$0
GOU	natural walnut, flat cut, matte sheen <input type="checkbox"/>	+\$0

RecoGrain Veneer

For BBF left, BBF center, BBF right (-B4B4B4)

68W	recograin walnut, flat cut, matte sheen <input type="checkbox"/>	-\$620
69K	recograin oak, quarter cut, matte sheen <input type="checkbox"/>	-\$620
69W	recograin walnut, quarter cut, matte sheen <input type="checkbox"/>	-\$620

Recon Veneer -

For BBF left, BBF center, BBF right (-B4B4B4)

98W	recograin walnut, flat cut, low sheen <input type="checkbox"/>	-\$620
99K	recograin oak, quarter cut, low sheen <input type="checkbox"/>	-\$620
99W	recograin walnut, quarter cut, low sheen <input type="checkbox"/>	-\$620

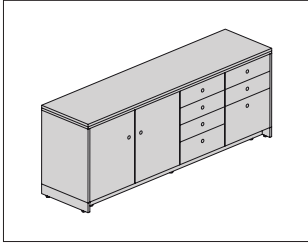
Step 5. Stone or Marble Top

200	perfato marble <input type="checkbox"/>	+\$0
250	verde antique marble <input type="checkbox"/>	+\$0
400	black granite <input type="checkbox"/>	+\$0
5U	georgia grey marble <input type="checkbox"/>	+\$0
800	autumn brown granite <input type="checkbox"/>	+\$0
960	white carrara marble <input type="checkbox"/>	+\$0

Step 6. Metal Finish

CHR	chrome <input type="checkbox"/>	+\$0
SAC	satins chrome <input type="checkbox"/>	+\$0

Sled Base Credenza Four Units JCS4S
Wide and Stone Top



Product Information

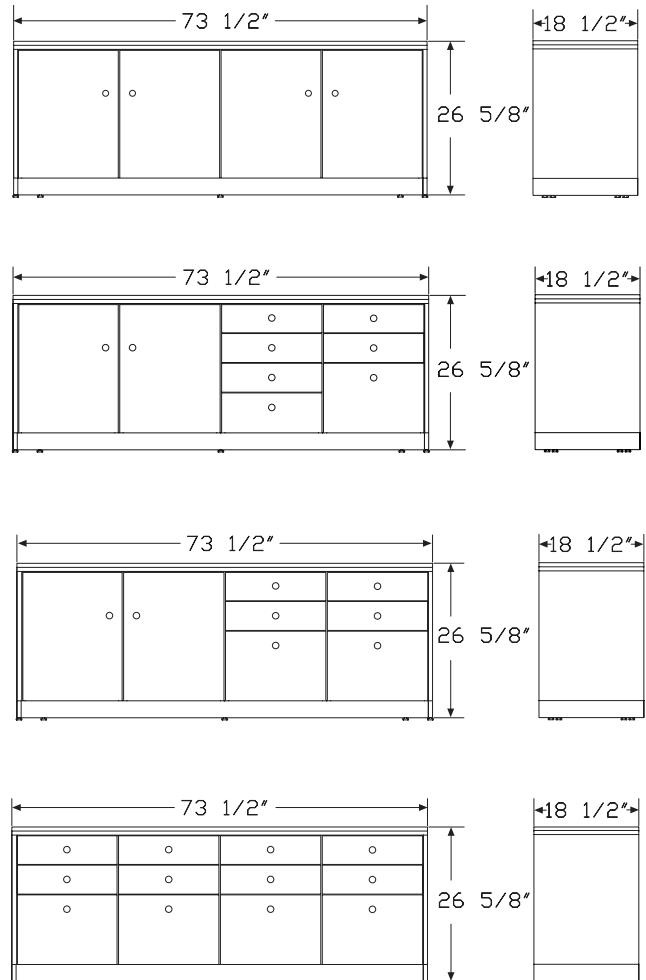
Description

This four-unit wide sled base credenza has a stone top and includes 3"-high metal base on the 3/4"-thick credenza gable. Storage unit is 18"-wide. Ward Bennett Flip pulls come in matching metal finish.

Notes

Sled base credenzas ship assembled.
 Drawer credenzas include wood boxes and self-closing hidden drawer slides. Pencil tray and felt lining in bottom of drawer also included.
 Santos palisander veneer is celebrated for its unique grain and color variations. Similar products ordered in multiples or dissimilar products ordered separately should be expected to have variation in both grain and color characteristics; no two products will look exactly alike.

Dimensions



Sled Base Credenza Four Units

Wide and Stone Top *continued*

Specification Information	
Step 1.	
JCS4S <input type="checkbox"/>	
Step 2. Size	
-1974	18 ¹ / ₂ " deep x 73 ¹ / ₂ " wide x 26 ⁵ / ₈ " high <input type="checkbox"/>
Step 3. Configuration	
-B2B2B2B2	four single doors <input type="checkbox"/>
-B2B2B3B4	single door left, single door left center, four drawers right center, BBF right <input type="checkbox"/>
-B2B2B4B4	single door left, single door left center, BBF right center, BBF right <input type="checkbox"/>
-B4B4B4B4	four BBF <input type="checkbox"/>
Prices for Steps 1-3.	
	-B2B2B2B2 -B2B2B3B4 -B2B2B4B4 -B4B4B4B4
JCS4S -1974	\$20724 23400 22767 24814

Step 4. Wood Finish		
Premium Veneer - Low Sheen		
<i>For four single doors (-B2B2B2B2)</i>		
931	champagne anigre (natural) <input type="checkbox"/>	+\$5427
932	sundance anigre <input type="checkbox"/>	+\$5427
933	caramel anigre <input type="checkbox"/>	+\$5427
934	henna anigre <input type="checkbox"/>	+\$5427
941	natural beech <input type="checkbox"/>	+\$0
942	sundance cherry (natural) <input type="checkbox"/>	+\$0
943	caramel cherry <input type="checkbox"/>	+\$0
946	cocoa cherry <input type="checkbox"/>	+\$0
951	natural anigre <input type="checkbox"/>	+\$5427
956	cocoa sapele <input type="checkbox"/>	+\$0
962	toasted walnut, low sheen <input type="checkbox"/>	+\$0
963	charred walnut, low sheen <input type="checkbox"/>	+\$0
964	bronzed walnut, low sheen <input type="checkbox"/>	+\$0
965	smoked walnut, low sheen <input type="checkbox"/>	+\$0
966	coffee walnut, low sheen <input type="checkbox"/>	+\$0
967	smoked paldao, low sheen <input type="checkbox"/>	+\$2036
969	warm paldao, low sheen <input type="checkbox"/>	+\$2036
977	chocolate ash, low sheen <input type="checkbox"/>	+\$0
978	natural oak <input type="checkbox"/>	+\$0
981	champagne hickory (natural) <input type="checkbox"/>	+\$0
98R	recograin rosewood <input type="checkbox"/>	+\$0
991	champagne ash <input type="checkbox"/>	+\$0
998	ebony ash <input type="checkbox"/>	+\$0
99A	recograin frosty ash <input type="checkbox"/>	+\$0
99R	recograin rosewood <input type="checkbox"/>	+\$0
99T	recograin teak <input type="checkbox"/>	+\$0
9A1	white ash, quarter cut, low sheen <input type="checkbox"/>	+\$0
9K1	rift oak, rift cut, low sheen <input type="checkbox"/>	+\$0
9K6	burnt oak, rift cut, low sheen <input type="checkbox"/>	+\$0
G2U	light brown walnut, low sheen <input type="checkbox"/>	+\$0
G40	dark brown walnut, low sheen <input type="checkbox"/>	+\$0

Sled Base Credenza Four Units Wide and Stone Top *continued*

Premium Veneer - Matte

For four single doors (-B2B2B2B2)

662	toasted walnut, matte sheen <input type="checkbox"/>	+\$0
663	charred walnut, matte sheen <input type="checkbox"/>	+\$0
664	bronzed walnut, matte sheen <input type="checkbox"/>	+\$0
665	smoked walnut, matte sheen <input type="checkbox"/>	+\$0
666	coffee walnut, matte sheen <input type="checkbox"/>	+\$0
667	smoked paldao, quarter cut, matte sheen <input type="checkbox"/>	+\$2036
669	warm paldao, quarter cut, matte sheen <input type="checkbox"/>	+\$2036
66A	recograin frosty ash <input type="checkbox"/>	+\$0
677	chocolate ash, matte sheen <input type="checkbox"/>	+\$0
678	natural oak <input type="checkbox"/>	+\$0
68R	recograin rosewood <input type="checkbox"/>	+\$0
69A	recograin frosty ash <input type="checkbox"/>	+\$0
69R	recograin rosewood <input type="checkbox"/>	+\$0
69T	recograin teak <input type="checkbox"/>	+\$0
6A1	white ash <input type="checkbox"/>	+\$0
6K1	rift oak <input type="checkbox"/>	+\$0
6K6	burnt oak <input type="checkbox"/>	+\$0
ET	clear on ash <input type="checkbox"/>	+\$0
EU	oak on ash <input type="checkbox"/>	+\$0
EV	walnut on ash <input type="checkbox"/>	+\$0
GOU	natural walnut, flat cut, matte sheen <input type="checkbox"/>	+\$0

RecoGrain Veneer

For four single doors (-B2B2B2B2)

68W	recograin walnut, flat cut, matte sheen <input type="checkbox"/>	-\$679
69K	recograin oak, quarter cut, matte sheen <input type="checkbox"/>	-\$679
69W	recograin walnut, quarter cut, matte sheen <input type="checkbox"/>	-\$679

Recon Veneer -

For four single doors (-B2B2B2B2)

98W	recograin walnut, flat cut, low sheen <input type="checkbox"/>	-\$679
99K	recograin oak, quarter cut, low sheen <input type="checkbox"/>	-\$679
99W	recograin walnut, quarter cut, low sheen <input type="checkbox"/>	-\$679

Premium Veneer - Low Sheen

For single door left, single door left center, four drawers right center, BBF right (-B2B2B3B4)

931	champagne anigre (natural) <input type="checkbox"/>	+\$6128
932	sundance anigre <input type="checkbox"/>	+\$6128
933	caramel anigre <input type="checkbox"/>	+\$6128
934	henna anigre <input type="checkbox"/>	+\$6128
941	natural beech <input type="checkbox"/>	+\$0
942	sundance cherry (natural) <input type="checkbox"/>	+\$0
943	caramel cherry <input type="checkbox"/>	+\$0
946	cocoa cherry <input type="checkbox"/>	+\$0
951	natural anigre <input type="checkbox"/>	+\$6128
956	cocoa sapele <input type="checkbox"/>	+\$0
962	toasted walnut, low sheen <input type="checkbox"/>	+\$0
963	charred walnut, low sheen <input type="checkbox"/>	+\$0
964	bronzed walnut, low sheen <input type="checkbox"/>	+\$0
965	smoked walnut, low sheen <input type="checkbox"/>	+\$0
966	coffee walnut, low sheen <input type="checkbox"/>	+\$0
967	smoked paldao, low sheen <input type="checkbox"/>	+\$2298
969	warm paldao, low sheen <input type="checkbox"/>	+\$2298
977	chocolate ash, low sheen <input type="checkbox"/>	+\$0
978	natural oak <input type="checkbox"/>	+\$0
981	champagne hickory (natural) <input type="checkbox"/>	+\$0
98R	recograin rosewood <input type="checkbox"/>	+\$0
991	champagne ash <input type="checkbox"/>	+\$0
998	ebony ash <input type="checkbox"/>	+\$0
99A	recograin frosty ash <input type="checkbox"/>	+\$0
99R	recograin rosewood <input type="checkbox"/>	+\$0
99T	recograin teak <input type="checkbox"/>	+\$0
9A1	white ash, quarter cut, low sheen <input type="checkbox"/>	+\$0
9K1	rift oak, rift cut, low sheen <input type="checkbox"/>	+\$0
9K6	burnt oak, rift cut, low sheen <input type="checkbox"/>	+\$0
G2U	light brown walnut, low sheen <input type="checkbox"/>	+\$0
G40	dark brown walnut, low sheen <input type="checkbox"/>	+\$0

Sled Base Credenza Four Units Wide and Stone Top *continued*

Premium Veneer - Matte

For single door left, single door left center, four drawers right center, BBF right (-B2B2B3B4)

662	toasted walnut, matte sheen <input type="checkbox"/>	+\$0
663	charred walnut, matte sheen <input type="checkbox"/>	+\$0
664	bronzed walnut, matte sheen <input type="checkbox"/>	+\$0
665	smoked walnut, matte sheen <input type="checkbox"/>	+\$0
666	coffee walnut, matte sheen <input type="checkbox"/>	+\$0
667	smoked paldao, quarter cut, matte sheen <input type="checkbox"/>	+\$2298
669	warm paldao, quarter cut, matte sheen <input type="checkbox"/>	+\$2298
66A	recograin frosty ash <input type="checkbox"/>	+\$0
677	chocolate ash, matte sheen <input type="checkbox"/>	+\$0
678	natural oak <input type="checkbox"/>	+\$0
68R	recograin rosewood <input type="checkbox"/>	+\$0
69A	recograin frosty ash <input type="checkbox"/>	+\$0
69R	recograin rosewood <input type="checkbox"/>	+\$0
69T	recograin teak <input type="checkbox"/>	+\$0
6A1	white ash <input type="checkbox"/>	+\$0
6K1	rift oak <input type="checkbox"/>	+\$0
6K6	burnt oak <input type="checkbox"/>	+\$0
ET	clear on ash <input type="checkbox"/>	+\$0
EU	oak on ash <input type="checkbox"/>	+\$0
EV	walnut on ash <input type="checkbox"/>	+\$0
GOU	natural walnut, flat cut, matte sheen <input type="checkbox"/>	+\$0

RecoGrain Veneer

For single door left, single door left center, four drawers right center, BBF right (-B2B2B3B4)

68W	recograin walnut, flat cut, matte sheen <input type="checkbox"/>	-\$766
69K	recograin oak, quarter cut, matte sheen <input type="checkbox"/>	-\$766
69W	recograin walnut, quarter cut, matte sheen <input type="checkbox"/>	-\$766

Recon Veneer -

For single door left, single door left center, four drawers right center, BBF right (-B2B2B3B4)

98W	recograin walnut, flat cut, low sheen <input type="checkbox"/>	-\$766
99K	recograin oak, quarter cut, low sheen <input type="checkbox"/>	-\$766
99W	recograin walnut, quarter cut, low sheen <input type="checkbox"/>	-\$766

Premium Veneer - Low Sheen

For single door left, single door left center, BBF right center, BBF right (-B2B2B4B4)

931	champagne anigre (natural) <input type="checkbox"/>	+\$5962
932	sundance anigre <input type="checkbox"/>	+\$5962
933	caramel anigre <input type="checkbox"/>	+\$5962
934	henna anigre <input type="checkbox"/>	+\$5962
941	natural beech <input type="checkbox"/>	+\$0
942	sundance cherry (natural) <input type="checkbox"/>	+\$0
943	caramel cherry <input type="checkbox"/>	+\$0
946	cocoa cherry <input type="checkbox"/>	+\$0
951	natural anigre <input type="checkbox"/>	+\$5962
956	cocoa sapele <input type="checkbox"/>	+\$0
962	toasted walnut, low sheen <input type="checkbox"/>	+\$0
963	charred walnut, low sheen <input type="checkbox"/>	+\$0
964	bronzed walnut, low sheen <input type="checkbox"/>	+\$0
965	smoked walnut, low sheen <input type="checkbox"/>	+\$0
966	coffee walnut, low sheen <input type="checkbox"/>	+\$0
967	smoked paldao, low sheen <input type="checkbox"/>	+\$2236
969	warm paldao, low sheen <input type="checkbox"/>	+\$2236
977	chocolate ash, low sheen <input type="checkbox"/>	+\$0
978	natural oak <input type="checkbox"/>	+\$0
981	champagne hickory (natural) <input type="checkbox"/>	+\$0
98R	recograin rosewood <input type="checkbox"/>	+\$0
991	champagne ash <input type="checkbox"/>	+\$0
998	ebony ash <input type="checkbox"/>	+\$0
99A	recograin frosty ash <input type="checkbox"/>	+\$0
99R	recograin rosewood <input type="checkbox"/>	+\$0
99T	recograin teak <input type="checkbox"/>	+\$0
9A1	white ash, quarter cut, low sheen <input type="checkbox"/>	+\$0
9K1	rift oak, rift cut, low sheen <input type="checkbox"/>	+\$0
9K6	burnt oak, rift cut, low sheen <input type="checkbox"/>	+\$0
G2U	light brown walnut, low sheen <input type="checkbox"/>	+\$0
G40	dark brown walnut, low sheen <input type="checkbox"/>	+\$0

Sled Base Credenza Four Units

Wide and Stone Top *continued*

Premium Veneer - Matte

For single door left, single door left center, BBF right center, BBF right (-B2B2B4B4)

662	toasted walnut, matte sheen <input type="checkbox"/>	+\$0
663	charred walnut, matte sheen <input type="checkbox"/>	+\$0
664	bronzed walnut, matte sheen <input type="checkbox"/>	+\$0
665	smoked walnut, matte sheen <input type="checkbox"/>	+\$0
666	coffee walnut, matte sheen <input type="checkbox"/>	+\$0
667	smoked paldao, quarter cut, matte sheen <input type="checkbox"/>	+\$2236
669	warm paldao, quarter cut, matte sheen <input type="checkbox"/>	+\$2236
66A	recograin frosty ash <input type="checkbox"/>	+\$0
677	chocolate ash, matte sheen <input type="checkbox"/>	+\$0
678	natural oak <input type="checkbox"/>	+\$0
68R	recograin rosewood <input type="checkbox"/>	+\$0
69A	recograin frosty ash <input type="checkbox"/>	+\$0
69R	recograin rosewood <input type="checkbox"/>	+\$0
69T	recograin teak <input type="checkbox"/>	+\$0
6A1	white ash <input type="checkbox"/>	+\$0
6K1	rift oak <input type="checkbox"/>	+\$0
6K6	burnt oak <input type="checkbox"/>	+\$0
ET	clear on ash <input type="checkbox"/>	+\$0
EU	oak on ash <input type="checkbox"/>	+\$0
EV	walnut on ash <input type="checkbox"/>	+\$0
GOU	natural walnut, flat cut, matte sheen <input type="checkbox"/>	+\$0

RecoGrain Veneer

For single door left, single door left center, BBF right center, BBF right (-B2B2B4B4)

68W	recograin walnut, flat cut, matte sheen <input type="checkbox"/>	-\$746
69K	recograin oak, quarter cut, matte sheen <input type="checkbox"/>	-\$746
69W	recograin walnut, quarter cut, matte sheen <input type="checkbox"/>	-\$746

Recon Veneer -

For single door left, single door left center, BBF right center, BBF right (-B2B2B4B4)

98W	recograin walnut, flat cut, low sheen <input type="checkbox"/>	-\$746
99K	recograin oak, quarter cut, low sheen <input type="checkbox"/>	-\$746
99W	recograin walnut, quarter cut, low sheen <input type="checkbox"/>	-\$746

Premium Veneer - Low Sheen

For four BBF (-B4B4B4B4)

931	champagne anigre (natural) <input type="checkbox"/>	+\$6498
932	sundance anigre <input type="checkbox"/>	+\$6498
933	caramel anigre <input type="checkbox"/>	+\$6498
934	henna anigre <input type="checkbox"/>	+\$6498
941	natural beech <input type="checkbox"/>	+\$0
942	sundance cherry (natural) <input type="checkbox"/>	+\$0
943	caramel cherry <input type="checkbox"/>	+\$0
946	cocoa cherry <input type="checkbox"/>	+\$0
951	natural anigre <input type="checkbox"/>	+\$6498
956	cocoa sapele <input type="checkbox"/>	+\$0
962	toasted walnut, low sheen <input type="checkbox"/>	+\$0
963	charred walnut, low sheen <input type="checkbox"/>	+\$0
964	bronzed walnut, low sheen <input type="checkbox"/>	+\$0
965	smoked walnut, low sheen <input type="checkbox"/>	+\$0
966	coffee walnut, low sheen <input type="checkbox"/>	+\$0
967	smoked paldao, low sheen <input type="checkbox"/>	+\$2437
969	warm paldao, low sheen <input type="checkbox"/>	+\$2437
977	chocolate ash, low sheen <input type="checkbox"/>	+\$0
978	natural oak <input type="checkbox"/>	+\$0
981	champagne hickory (natural) <input type="checkbox"/>	+\$0
98R	recograin rosewood <input type="checkbox"/>	+\$0
991	champagne ash <input type="checkbox"/>	+\$0
998	ebony ash <input type="checkbox"/>	+\$0
99A	recograin frosty ash <input type="checkbox"/>	+\$0
99R	recograin rosewood <input type="checkbox"/>	+\$0
99T	recograin teak <input type="checkbox"/>	+\$0
9A1	white ash, quarter cut, low sheen <input type="checkbox"/>	+\$0
9K1	rift oak, rift cut, low sheen <input type="checkbox"/>	+\$0
9K6	burnt oak, rift cut, low sheen <input type="checkbox"/>	+\$0
G2U	light brown walnut, low sheen <input type="checkbox"/>	+\$0
G40	dark brown walnut, low sheen <input type="checkbox"/>	+\$0

Sled Base Credenza Four Units

Wide and Stone Top *continued*

Premium Veneer - Matte		
<i>For four BBF (-B4B4B4B4)</i>		
662	toasted walnut, matte sheen <input type="checkbox"/> A	+\$0
663	charred walnut, matte sheen <input type="checkbox"/> A	+\$0
664	bronzed walnut, matte sheen <input type="checkbox"/> A	+\$0
665	smoked walnut, matte sheen <input type="checkbox"/> A	+\$0
666	coffee walnut, matte sheen <input type="checkbox"/> A	+\$0
667	smoked paldao, quarter cut, matte sheen <input type="checkbox"/> A	+\$2437
669	warm paldao, quarter cut, matte sheen <input type="checkbox"/> A	+\$2437
66A	recograin frosty ash <input type="checkbox"/> A	+\$0
677	chocolate ash, matte sheen <input type="checkbox"/> A	+\$0
678	natural oak <input type="checkbox"/> A	+\$0
68R	recograin rosewood <input type="checkbox"/> A	+\$0
69A	recograin frosty ash <input type="checkbox"/> A	+\$0
69R	recograin rosewood <input type="checkbox"/> A	+\$0
69T	recograin teak <input type="checkbox"/> A	+\$0
6A1	white ash <input type="checkbox"/> A	+\$0
6K1	rift oak <input type="checkbox"/> A	+\$0
6K6	burnt oak <input type="checkbox"/> A	+\$0
ET	clear on ash <input type="checkbox"/> A	+\$0
EU	oak on ash <input type="checkbox"/> A	+\$0
EV	walnut on ash <input type="checkbox"/> A	+\$0
GOU	natural walnut, flat cut, matte sheen <input type="checkbox"/> A	+\$0

RecoGrain Veneer		
<i>For four BBF (-B4B4B4B4)</i>		
68W	recograin walnut, flat cut, matte sheen <input type="checkbox"/> A	-\$813
69K	recograin oak, quarter cut, matte sheen <input type="checkbox"/> A	-\$813
69W	recograin walnut, quarter cut, matte sheen <input type="checkbox"/> A	-\$813

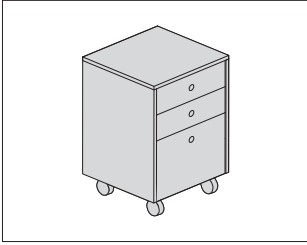
Recon Veneer -		
<i>For four BBF (-B4B4B4B4)</i>		
98W	recograin walnut, flat cut, low sheen <input type="checkbox"/> A	-\$813
99K	recograin oak, quarter cut, low sheen <input type="checkbox"/> A	-\$813
99W	recograin walnut, quarter cut, low sheen <input type="checkbox"/> A	-\$813

Step 5. Stone or Marble Top		
200	perfato marble <input type="checkbox"/> A	+\$0
250	verde antique marble <input type="checkbox"/> A	+\$0
400	black granite <input type="checkbox"/> A	+\$0
5U	georgia grey marble <input type="checkbox"/> A	+\$0
800	autumn brown granite <input type="checkbox"/> A	+\$0
960	white carrara marble <input type="checkbox"/> A	+\$0

Step 6. Metal Finish		
CHR	chrome <input type="checkbox"/> A	+\$0
SAC	satin chrome <input type="checkbox"/> A	+\$0

Sled Base Mobile Pedestal

JMS1-



Product Information

Description

This one-unit wide mobile pedestal has a wood top with metal frame. The casters are black with a silver yoke and no brake. Drawers include wood boxes and self-closing hidden drawer slides. Ward Bennett Flip Pull comes in matching metal finish.

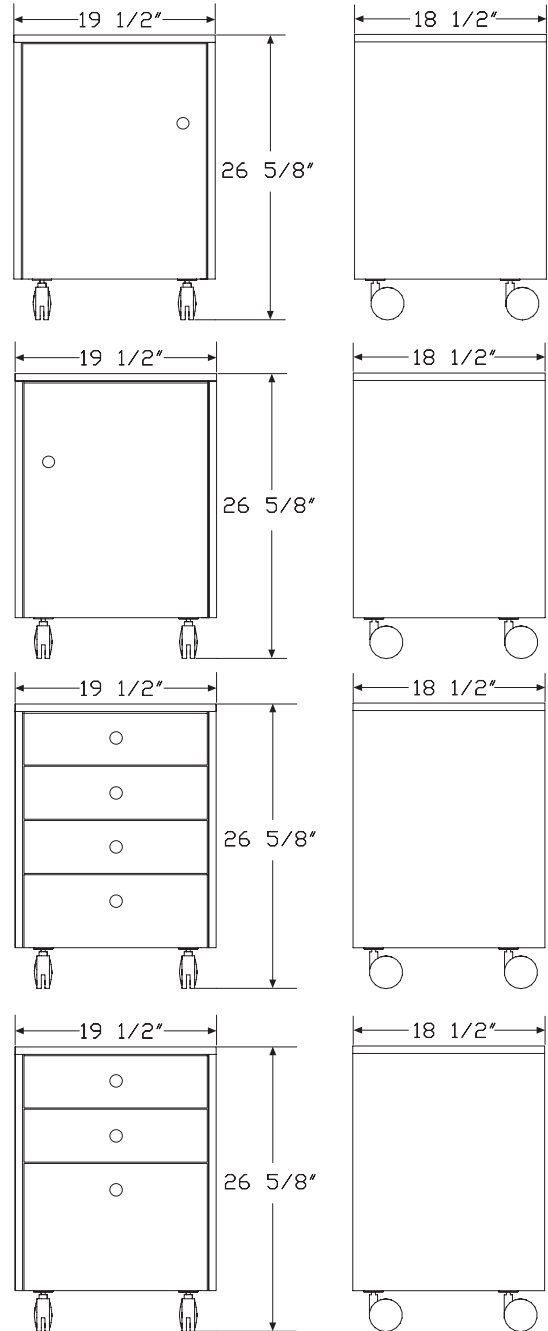
Notes

Mobile credenzas ship assembled.

B3 and B4 box drawers include pencil tray and felt lining in bottom of top drawer.

Santos palisander veneer is celebrated for its unique grain and color variations. Similar products ordered in multiples or dissimilar products ordered separately should be expected to have variation in both grain and color characteristics; no two products will look exactly alike.

Dimensions



Sled Base Mobile Pedestal

continued

Specification Information

Step 1.

JMS1

Step 2. Size

-1920 18¹/₂" deep x 19¹/₂" wide x 26⁵/₈" high

Step 3. Configuration

- B2L** single door, hinged left
- B2R** single door, hinged right
- B3** four box drawer
- B4** box, box, file

Prices for Steps 1-3.

JMS1-1920 -B2L	\$4919
-B2R	\$4919
-B3	\$6580
-B4	\$5944

Step 4. Wood Finish

Premium Veneer - Low Sheen

For single door, hinged left (-B2L) or single door, hinged right (-B2R)

931 champagne anigre (natural) <input type="checkbox"/>	+\$1288
932 sundance anigre <input type="checkbox"/>	+\$1288
933 caramel anigre <input type="checkbox"/>	+\$1288
934 henna anigre <input type="checkbox"/>	+\$1288
941 natural beech <input type="checkbox"/>	+\$0
942 sundance cherry (natural) <input type="checkbox"/>	+\$0
943 caramel cherry <input type="checkbox"/>	+\$0
946 cocoa cherry <input type="checkbox"/>	+\$0
951 natural anigre <input type="checkbox"/>	+\$1288
956 cocoa sapele <input type="checkbox"/>	+\$0
962 toasted walnut, low sheen <input type="checkbox"/>	+\$0
963 charred walnut, low sheen <input type="checkbox"/>	+\$0
964 bronzed walnut, low sheen <input type="checkbox"/>	+\$0
965 smoked walnut, low sheen <input type="checkbox"/>	+\$0
966 coffee walnut, low sheen <input type="checkbox"/>	+\$0
967 smoked paldao, low sheen <input type="checkbox"/>	+\$483
969 warm paldao, low sheen <input type="checkbox"/>	+\$483
977 chocolate ash, low sheen <input type="checkbox"/>	+\$0
978 natural oak <input type="checkbox"/>	+\$0
981 champagne hickory (natural) <input type="checkbox"/>	+\$0
98R recograin rosewood <input type="checkbox"/>	+\$0
991 champagne ash <input type="checkbox"/>	+\$0
998 ebony ash <input type="checkbox"/>	+\$0
99A recograin frosty ash <input type="checkbox"/>	+\$0
99R recograin rosewood <input type="checkbox"/>	+\$0
99T recograin teak <input type="checkbox"/>	+\$0
9A1 white ash, quarter cut, low sheen <input type="checkbox"/>	+\$0
9K1 rift oak, rift cut, low sheen <input type="checkbox"/>	+\$0
9K6 burnt oak, rift cut, low sheen <input type="checkbox"/>	+\$0
G2U light brown walnut, low sheen <input type="checkbox"/>	+\$0
G40 dark brown walnut, low sheen <input type="checkbox"/>	+\$0

Sled Base Mobile Pedestal

continued

Premium Veneer - Matte

For single door, hinged left (-B2L) or single door, hinged right (-B2R)

662	toasted walnut, matte sheen <input type="checkbox"/>	+\$0
663	charred walnut, matte sheen <input type="checkbox"/>	+\$0
664	bronzed walnut, matte sheen <input type="checkbox"/>	+\$0
665	smoked walnut, matte sheen <input type="checkbox"/>	+\$0
666	coffee walnut, matte sheen <input type="checkbox"/>	+\$0
667	smoked paldao, quarter cut, matte sheen <input type="checkbox"/>	+\$483
669	warm paldao, quarter cut, matte sheen <input type="checkbox"/>	+\$483
66A	recograin frosty ash <input type="checkbox"/>	+\$0
677	chocolate ash, matte sheen <input type="checkbox"/>	+\$0
678	natural oak <input type="checkbox"/>	+\$0
68R	recograin rosewood <input type="checkbox"/>	+\$0
69A	recograin frosty ash <input type="checkbox"/>	+\$0
69R	recograin rosewood <input type="checkbox"/>	+\$0
69T	recograin teak <input type="checkbox"/>	+\$0
6A1	white ash <input type="checkbox"/>	+\$0
6K1	rift oak <input type="checkbox"/>	+\$0
6K6	burnt oak <input type="checkbox"/>	+\$0
ET	clear on ash <input type="checkbox"/>	+\$0
EU	oak on ash <input type="checkbox"/>	+\$0
EV	walnut on ash <input type="checkbox"/>	+\$0
GOU	natural walnut, flat cut, matte sheen <input type="checkbox"/>	+\$0

RecoGrain Veneer

For single door, hinged left (-B2L) or single door, hinged right (-B2R)

68W	recograin walnut, flat cut, matte sheen <input type="checkbox"/>	-\$161
69K	recograin oak, quarter cut, matte sheen <input type="checkbox"/>	-\$161
69W	recograin walnut, quarter cut, matte sheen <input type="checkbox"/>	-\$161

Recon Veneer -

For single door, hinged left (-B2L) or single door, hinged right (-B2R)

98W	recograin walnut, flat cut, low sheen <input type="checkbox"/>	-\$161
99K	recograin oak, quarter cut, low sheen <input type="checkbox"/>	-\$161
99W	recograin walnut, quarter cut, low sheen <input type="checkbox"/>	-\$161

Premium Veneer - Low Sheen

For four box drawer (-B3)

931	champagne anigre (natural) <input type="checkbox"/>	+\$1723
932	sundance anigre <input type="checkbox"/>	+\$1723
933	caramel anigre <input type="checkbox"/>	+\$1723
934	henna anigre <input type="checkbox"/>	+\$1723
941	natural beech <input type="checkbox"/>	+\$0
942	sundance cherry (natural) <input type="checkbox"/>	+\$0
943	caramel cherry <input type="checkbox"/>	+\$0
946	cocoa cherry <input type="checkbox"/>	+\$0
951	natural anigre <input type="checkbox"/>	+\$1723
956	cocoa sapele <input type="checkbox"/>	+\$0
962	toasted walnut, low sheen <input type="checkbox"/>	+\$0
963	charred walnut, low sheen <input type="checkbox"/>	+\$0
964	bronzed walnut, low sheen <input type="checkbox"/>	+\$0
965	smoked walnut, low sheen <input type="checkbox"/>	+\$0
966	coffee walnut, low sheen <input type="checkbox"/>	+\$0
967	smoked paldao, low sheen <input type="checkbox"/>	+\$646
969	warm paldao, low sheen <input type="checkbox"/>	+\$646
977	chocolate ash, low sheen <input type="checkbox"/>	+\$0
978	natural oak <input type="checkbox"/>	+\$0
981	champagne hickory (natural) <input type="checkbox"/>	+\$0
98R	recograin rosewood <input type="checkbox"/>	+\$0
991	champagne ash <input type="checkbox"/>	+\$0
998	ebony ash <input type="checkbox"/>	+\$0
99A	recograin frosty ash <input type="checkbox"/>	+\$0
99R	recograin rosewood <input type="checkbox"/>	+\$0
99T	recograin teak <input type="checkbox"/>	+\$0
9A1	white ash, quarter cut, low sheen <input type="checkbox"/>	+\$0
9K1	rift oak, rift cut, low sheen <input type="checkbox"/>	+\$0
9K6	burnt oak, rift cut, low sheen <input type="checkbox"/>	+\$0
G2U	light brown walnut, low sheen <input type="checkbox"/>	+\$0
G40	dark brown walnut, low sheen <input type="checkbox"/>	+\$0

HermanMiller Ancillary-Storage

Sled Base Mobile Pedestal

continued

HermanMiller Ancillary-Storage

Premium Veneer - Matte

For four box drawer (-B3)

662	toasted walnut, matte sheen <input type="checkbox"/>	+\$0
663	charred walnut, matte sheen <input type="checkbox"/>	+\$0
664	bronzed walnut, matte sheen <input type="checkbox"/>	+\$0
665	smoked walnut, matte sheen <input type="checkbox"/>	+\$0
666	coffee walnut, matte sheen <input type="checkbox"/>	+\$0
667	smoked paldao, quarter cut, matte sheen <input type="checkbox"/>	+\$646
669	warm paldao, quarter cut, matte sheen <input type="checkbox"/>	+\$646
66A	recograin frosty ash <input type="checkbox"/>	+\$0
677	chocolate ash, matte sheen <input type="checkbox"/>	+\$0
678	natural oak <input type="checkbox"/>	+\$0
68R	recograin rosewood <input type="checkbox"/>	+\$0
69A	recograin frosty ash <input type="checkbox"/>	+\$0
69R	recograin rosewood <input type="checkbox"/>	+\$0
69T	recograin teak <input type="checkbox"/>	+\$0
6A1	white ash <input type="checkbox"/>	+\$0
6K1	rift oak <input type="checkbox"/>	+\$0
6K6	burnt oak <input type="checkbox"/>	+\$0
ET	clear on ash <input type="checkbox"/>	+\$0
EU	oak on ash <input type="checkbox"/>	+\$0
EV	walnut on ash <input type="checkbox"/>	+\$0
GOU	natural walnut, flat cut, matte sheen <input type="checkbox"/>	+\$0

RecoGrain Veneer

For four box drawer (-B3)

68W	recograin walnut, flat cut, matte sheen <input type="checkbox"/>	-\$216
69K	recograin oak, quarter cut, matte sheen <input type="checkbox"/>	-\$216
69W	recograin walnut, quarter cut, matte sheen <input type="checkbox"/>	-\$216

Recon Veneer -

For four box drawer (-B3)

98W	recograin walnut, flat cut, low sheen <input type="checkbox"/>	-\$216
99K	recograin oak, quarter cut, low sheen <input type="checkbox"/>	-\$216
99W	recograin walnut, quarter cut, low sheen <input type="checkbox"/>	-\$216

Premium Veneer - Low Sheen

For box, box, file (-B4)

931	champagne anigre (natural) <input type="checkbox"/>	+\$1556
932	sundance anigre <input type="checkbox"/>	+\$1556
933	caramel anigre <input type="checkbox"/>	+\$1556
934	henna anigre <input type="checkbox"/>	+\$1556
941	natural beech <input type="checkbox"/>	+\$0
942	sundance cherry (natural) <input type="checkbox"/>	+\$0
943	caramel cherry <input type="checkbox"/>	+\$0
946	cocoa cherry <input type="checkbox"/>	+\$0
951	natural anigre <input type="checkbox"/>	+\$1556
956	cocoa sapele <input type="checkbox"/>	+\$0
962	toasted walnut, low sheen <input type="checkbox"/>	+\$0
963	charred walnut, low sheen <input type="checkbox"/>	+\$0
964	bronzed walnut, low sheen <input type="checkbox"/>	+\$0
965	smoked walnut, low sheen <input type="checkbox"/>	+\$0
966	coffee walnut, low sheen <input type="checkbox"/>	+\$0
967	smoked paldao, low sheen <input type="checkbox"/>	+\$584
969	warm paldao, low sheen <input type="checkbox"/>	+\$584
977	chocolate ash, low sheen <input type="checkbox"/>	+\$0
978	natural oak <input type="checkbox"/>	+\$0
981	champagne hickory (natural) <input type="checkbox"/>	+\$0
98R	recograin rosewood <input type="checkbox"/>	+\$0
991	champagne ash <input type="checkbox"/>	+\$0
998	ebony ash <input type="checkbox"/>	+\$0
99A	recograin frosty ash <input type="checkbox"/>	+\$0
99R	recograin rosewood <input type="checkbox"/>	+\$0
99T	recograin teak <input type="checkbox"/>	+\$0
9A1	white ash, quarter cut, low sheen <input type="checkbox"/>	+\$0
9K1	rift oak, rift cut, low sheen <input type="checkbox"/>	+\$0
9K6	burnt oak, rift cut, low sheen <input type="checkbox"/>	+\$0
G2U	light brown walnut, low sheen <input type="checkbox"/>	+\$0
G40	dark brown walnut, low sheen <input type="checkbox"/>	+\$0

Sled Base Mobile Pedestal

continued

Premium Veneer - Matte

For box, box, file (-B4)

662	toasted walnut, matte sheen <input type="checkbox"/>	+\$0
663	charred walnut, matte sheen <input type="checkbox"/>	+\$0
664	bronzed walnut, matte sheen <input type="checkbox"/>	+\$0
665	smoked walnut, matte sheen <input type="checkbox"/>	+\$0
666	coffee walnut, matte sheen <input type="checkbox"/>	+\$0
667	smoked paldao, quarter cut, matte sheen <input type="checkbox"/>	+\$584
669	warm paldao, quarter cut, matte sheen <input type="checkbox"/>	+\$584
66A	recograin frosty ash <input type="checkbox"/>	+\$0
677	chocolate ash, matte sheen <input type="checkbox"/>	+\$0
678	natural oak <input type="checkbox"/>	+\$0
68R	recograin rosewood <input type="checkbox"/>	+\$0
69A	recograin frosty ash <input type="checkbox"/>	+\$0
69R	recograin rosewood <input type="checkbox"/>	+\$0
69T	recograin teak <input type="checkbox"/>	+\$0
6A1	white ash <input type="checkbox"/>	+\$0
6K1	rift oak <input type="checkbox"/>	+\$0
6K6	burnt oak <input type="checkbox"/>	+\$0
ET	clear on ash <input type="checkbox"/>	+\$0
EU	oak on ash <input type="checkbox"/>	+\$0
EV	walnut on ash <input type="checkbox"/>	+\$0
GOU	natural walnut, flat cut, matte sheen <input type="checkbox"/>	+\$0

RecoGrain Veneer

For box, box, file (-B4)

68W	recograin walnut, flat cut, matte sheen <input type="checkbox"/>	-\$195
69K	recograin oak, quarter cut, matte sheen <input type="checkbox"/>	-\$195
69W	recograin walnut, quarter cut, matte sheen <input type="checkbox"/>	-\$195

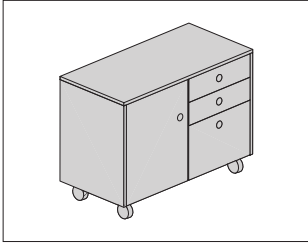
Recon Veneer -

For box, box, file (-B4)

98W	recograin walnut, flat cut, low sheen <input type="checkbox"/>	-\$195
99K	recograin oak, quarter cut, low sheen <input type="checkbox"/>	-\$195
99W	recograin walnut, quarter cut, low sheen <input type="checkbox"/>	-\$195

Step 5. Metal Finish

CHR	chrome <input type="checkbox"/>	+\$0
SAC	satin chrome <input type="checkbox"/>	+\$0



HermanMiller Ancillary-Storage

Product Information

Description

This two-unit wide mobile pedestal has a wood top with metal frame. The casters are black with a silver yoke and no brake. Drawers include wood boxes and self-closing hidden drawer slides. Ward Bennett Flip pulls come in matching metal finish.

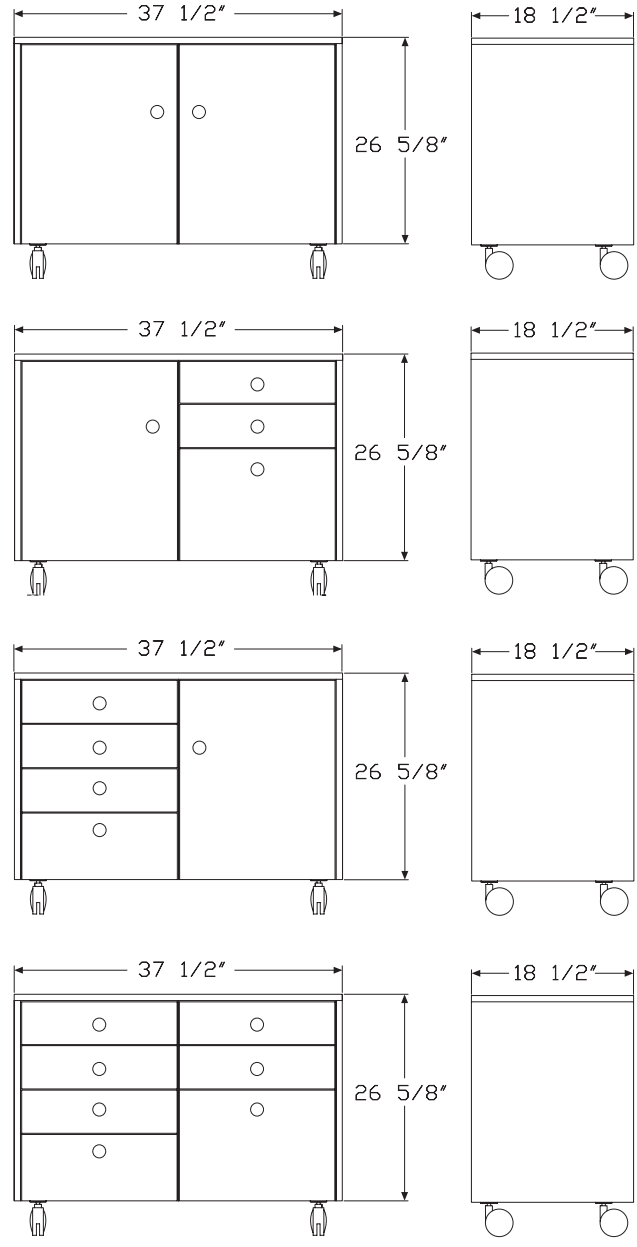
Notes

Mobile credenzas ship assembled.

B3 and B4 box drawers include pencil tray and felt lining in bottom of top drawer.

Santos palisander veneer is celebrated for its unique grain and color variations. Similar products ordered in multiples or dissimilar products ordered separately should be expected to have variation in both grain and color characteristics; no two products will look exactly alike.

Dimensions



Sled Base Mobile Credenza

continued

Specification Information

Step 1.

JMS2

Step 2. Size

-1938 18¹/₂" deep x 37¹/₂" wide x 26⁵/₈" high

Step 3. Configuration

-B2B2 two doors

-B2B4 single door left, BBF right

-B3B2 four drawers left, single door right

-B3B4 four drawers left, BBF right

Prices for Steps 1-3.

JMS2-1938 -B2B2	\$8239
-B2B4	\$9264
-B3B2	\$9900
-B3B4	\$10923

Step 4. Wood Finish

Premium Veneer - Low Sheen

For two doors (-B2B2)

931	champagne anigre (natural) <input type="checkbox"/>	+\$2158
932	sundance anigre <input type="checkbox"/>	+\$2158
933	caramel anigre <input type="checkbox"/>	+\$2158
934	henna anigre <input type="checkbox"/>	+\$2158
941	natural beech <input type="checkbox"/>	+\$0
942	sundance cherry (natural) <input type="checkbox"/>	+\$0
943	caramel cherry <input type="checkbox"/>	+\$0
946	cocoa cherry <input type="checkbox"/>	+\$0
951	natural anigre <input type="checkbox"/>	+\$2158
956	cocoa sapele <input type="checkbox"/>	+\$0
962	toasted walnut, low sheen <input type="checkbox"/>	+\$0
963	charred walnut, low sheen <input type="checkbox"/>	+\$0
964	bronzed walnut, low sheen <input type="checkbox"/>	+\$0
965	smoked walnut, low sheen <input type="checkbox"/>	+\$0
966	coffee walnut, low sheen <input type="checkbox"/>	+\$0
967	smoked paldao, low sheen <input type="checkbox"/>	+\$809
969	warm paldao, low sheen <input type="checkbox"/>	+\$809
977	chocolate ash, low sheen <input type="checkbox"/>	+\$0
978	natural oak <input type="checkbox"/>	+\$0
981	champagne hickory (natural) <input type="checkbox"/>	+\$0
98R	recograin rosewood <input type="checkbox"/>	+\$0
991	champagne ash <input type="checkbox"/>	+\$0
998	ebony ash <input type="checkbox"/>	+\$0
99A	recograin frosty ash <input type="checkbox"/>	+\$0
99R	recograin rosewood <input type="checkbox"/>	+\$0
99T	recograin teak <input type="checkbox"/>	+\$0
9A1	white ash, quarter cut, low sheen <input type="checkbox"/>	+\$0
9K1	rift oak, rift cut, low sheen <input type="checkbox"/>	+\$0
9K6	burnt oak, rift cut, low sheen <input type="checkbox"/>	+\$0
G2U	light brown walnut, low sheen <input type="checkbox"/>	+\$0
G40	dark brown walnut, low sheen <input type="checkbox"/>	+\$0

Sled Base Mobile Credenza

continued

HermanMiller Ancillary-Storage

Premium Veneer - Matte

For two doors (-B2B2)

662	toasted walnut, matte sheen A	+\$0
663	charred walnut, matte sheen A	+\$0
664	bronzed walnut, matte sheen A	+\$0
665	smoked walnut, matte sheen A	+\$0
666	coffee walnut, matte sheen A	+\$0
667	smoked paldao, quarter cut, matte sheen A	+\$809
669	warm paldao, quarter cut, matte sheen A	+\$809
66A	recograin frosty ash A	+\$0
677	chocolate ash, matte sheen A	+\$0
678	natural oak A	+\$0
68R	recograin rosewood A	+\$0
69A	recograin frosty ash A	+\$0
69R	recograin rosewood A	+\$0
69T	recograin teak A	+\$0
6A1	white ash A	+\$0
6K1	rift oak A	+\$0
6K6	burnt oak A	+\$0
ET	clear on ash A	+\$0
EU	oak on ash A	+\$0
EV	walnut on ash A	+\$0
GOU	natural walnut, flat cut, matte sheen A	+\$0

RecoGrain Veneer

For two doors (-B2B2)

68W	recograin walnut, flat cut, matte sheen A	-\$270
69K	recograin oak, quarter cut, matte sheen A	-\$270
69W	recograin walnut, quarter cut, matte sheen A	-\$270

Recon Veneer -

For two doors (-B2B2)

98W	recograin walnut, flat cut, low sheen A	-\$270
99K	recograin oak, quarter cut, low sheen A	-\$270
99W	recograin walnut, quarter cut, low sheen A	-\$270

Premium Veneer - Low Sheen

For single door left, BBF right (-B2B4)

931	champagne anigre (natural) A	+\$2426
932	sundance anigre A	+\$2426
933	caramel anigre A	+\$2426
934	henna anigre A	+\$2426
941	natural beech A	+\$0
942	sundance cherry (natural) A	+\$0
943	caramel cherry A	+\$0
946	cocoa cherry A	+\$0
951	natural anigre A	+\$2426
956	cocoa sapele A	+\$0
962	toasted walnut, low sheen A	+\$0
963	charred walnut, low sheen A	+\$0
964	bronzed walnut, low sheen A	+\$0
965	smoked walnut, low sheen A	+\$0
966	coffee walnut, low sheen A	+\$0
967	smoked paldao, low sheen A	+\$910
969	warm paldao, low sheen A	+\$910
977	chocolate ash, low sheen A	+\$0
978	natural oak A	+\$0
981	champagne hickory (natural) A	+\$0
98R	recograin rosewood A	+\$0
991	champagne ash A	+\$0
998	ebony ash A	+\$0
99A	recograin frosty ash A	+\$0
99R	recograin rosewood A	+\$0
99T	recograin teak A	+\$0
9A1	white ash, quarter cut, low sheen A	+\$0
9K1	rift oak, rift cut, low sheen A	+\$0
9K6	burnt oak, rift cut, low sheen A	+\$0
G2U	light brown walnut, low sheen A	+\$0
G40	dark brown walnut, low sheen A	+\$0

Sled Base Mobile Credenza

continued

Premium Veneer - Matte

For single door left, BBF right (-B2B4)

662	toasted walnut, matte sheen <input type="checkbox"/>	+\$0
663	charred walnut, matte sheen <input type="checkbox"/>	+\$0
664	bronzed walnut, matte sheen <input type="checkbox"/>	+\$0
665	smoked walnut, matte sheen <input type="checkbox"/>	+\$0
666	coffee walnut, matte sheen <input type="checkbox"/>	+\$0
667	smoked paldao, quarter cut, matte sheen <input type="checkbox"/>	+\$910
669	warm paldao, quarter cut, matte sheen <input type="checkbox"/>	+\$910
66A	recograin frosty ash <input type="checkbox"/>	+\$0
677	chocolate ash, matte sheen <input type="checkbox"/>	+\$0
678	natural oak <input type="checkbox"/>	+\$0
68R	recograin rosewood <input type="checkbox"/>	+\$0
69A	recograin frosty ash <input type="checkbox"/>	+\$0
69R	recograin rosewood <input type="checkbox"/>	+\$0
69T	recograin teak <input type="checkbox"/>	+\$0
6A1	white ash <input type="checkbox"/>	+\$0
6K1	rift oak <input type="checkbox"/>	+\$0
6K6	burnt oak <input type="checkbox"/>	+\$0
ET	clear on ash <input type="checkbox"/>	+\$0
EU	oak on ash <input type="checkbox"/>	+\$0
EV	walnut on ash <input type="checkbox"/>	+\$0
GOU	natural walnut, flat cut, matte sheen <input type="checkbox"/>	+\$0

RecoGrain Veneer

For single door left, BBF right (-B2B4)

68W	recograin walnut, flat cut, matte sheen <input type="checkbox"/>	-\$304
69K	recograin oak, quarter cut, matte sheen <input type="checkbox"/>	-\$304
69W	recograin walnut, quarter cut, matte sheen <input type="checkbox"/>	-\$304

Recon Veneer -

For single door left, BBF right (-B2B4)

98W	recograin walnut, flat cut, low sheen <input type="checkbox"/>	-\$304
99K	recograin oak, quarter cut, low sheen <input type="checkbox"/>	-\$304
99W	recograin walnut, quarter cut, low sheen <input type="checkbox"/>	-\$304

Premium Veneer - Low Sheen

For four drawers left, single door right (-B3B2)

931	champagne anigre (natural) <input type="checkbox"/>	+\$2592
932	sundance anigre <input type="checkbox"/>	+\$2592
933	caramel anigre <input type="checkbox"/>	+\$2592
934	henna anigre <input type="checkbox"/>	+\$2592
941	natural beech <input type="checkbox"/>	+\$0
942	sundance cherry (natural) <input type="checkbox"/>	+\$0
943	caramel cherry <input type="checkbox"/>	+\$0
946	cocoa cherry <input type="checkbox"/>	+\$0
951	natural anigre <input type="checkbox"/>	+\$2592
956	cocoa sapele <input type="checkbox"/>	+\$0
962	toasted walnut, low sheen <input type="checkbox"/>	+\$0
963	charred walnut, low sheen <input type="checkbox"/>	+\$0
964	bronzed walnut, low sheen <input type="checkbox"/>	+\$0
965	smoked walnut, low sheen <input type="checkbox"/>	+\$0
966	coffee walnut, low sheen <input type="checkbox"/>	+\$0
967	smoked paldao, low sheen <input type="checkbox"/>	+\$972
969	warm paldao, low sheen <input type="checkbox"/>	+\$972
977	chocolate ash, low sheen <input type="checkbox"/>	+\$0
978	natural oak <input type="checkbox"/>	+\$0
981	champagne hickory (natural) <input type="checkbox"/>	+\$0
98R	recograin rosewood <input type="checkbox"/>	+\$0
991	champagne ash <input type="checkbox"/>	+\$0
998	ebony ash <input type="checkbox"/>	+\$0
99A	recograin frosty ash <input type="checkbox"/>	+\$0
99R	recograin rosewood <input type="checkbox"/>	+\$0
99T	recograin teak <input type="checkbox"/>	+\$0
9A1	white ash, quarter cut, low sheen <input type="checkbox"/>	+\$0
9K1	rift oak, rift cut, low sheen <input type="checkbox"/>	+\$0
9K6	burnt oak, rift cut, low sheen <input type="checkbox"/>	+\$0
G2U	light brown walnut, low sheen <input type="checkbox"/>	+\$0
G40	dark brown walnut, low sheen <input type="checkbox"/>	+\$0

HermanMiller Ancillary-Storage

Sled Base Mobile Credenza

continued

HermanMiller Ancillary-Storage

Premium Veneer - Matte		
<i>For four drawers left, single door right (-B3B2)</i>		
662	toasted walnut, matte sheen <input type="checkbox"/>	+\$0
663	charred walnut, matte sheen <input type="checkbox"/>	+\$0
664	bronzed walnut, matte sheen <input type="checkbox"/>	+\$0
665	smoked walnut, matte sheen <input type="checkbox"/>	+\$0
666	coffee walnut, matte sheen <input type="checkbox"/>	+\$0
667	smoked paldao, quarter cut, matte sheen <input type="checkbox"/>	+\$972
669	warm paldao, quarter cut, matte sheen <input type="checkbox"/>	+\$972
66A	recograin frosty ash <input type="checkbox"/>	+\$0
677	chocolate ash, matte sheen <input type="checkbox"/>	+\$0
678	natural oak <input type="checkbox"/>	+\$0
68R	recograin rosewood <input type="checkbox"/>	+\$0
69A	recograin frosty ash <input type="checkbox"/>	+\$0
69R	recograin rosewood <input type="checkbox"/>	+\$0
69T	recograin teak <input type="checkbox"/>	+\$0
6A1	white ash <input type="checkbox"/>	+\$0
6K1	rift oak <input type="checkbox"/>	+\$0
6K6	burnt oak <input type="checkbox"/>	+\$0
ET	clear on ash <input type="checkbox"/>	+\$0
EU	oak on ash <input type="checkbox"/>	+\$0
EV	walnut on ash <input type="checkbox"/>	+\$0
GOU	natural walnut, flat cut, matte sheen <input type="checkbox"/>	+\$0

RecoGrain Veneer		
<i>For four drawers left, single door right (-B3B2)</i>		
68W	recograin walnut, flat cut, matte sheen <input type="checkbox"/>	-\$324
69K	recograin oak, quarter cut, matte sheen <input type="checkbox"/>	-\$324
69W	recograin walnut, quarter cut, matte sheen <input type="checkbox"/>	-\$324

Recon Veneer -		
<i>For four drawers left, single door right (-B3B2)</i>		
98W	recograin walnut, flat cut, low sheen <input type="checkbox"/>	-\$324
99K	recograin oak, quarter cut, low sheen <input type="checkbox"/>	-\$324
99W	recograin walnut, quarter cut, low sheen <input type="checkbox"/>	-\$324

Premium Veneer - Low Sheen		
<i>For four drawers left, BBF right (-B3B4)</i>		
931	champagne anigre (natural) <input type="checkbox"/>	+\$2860
932	sundance anigre <input type="checkbox"/>	+\$2860
933	caramel anigre <input type="checkbox"/>	+\$2860
934	henna anigre <input type="checkbox"/>	+\$2860
941	natural beech <input type="checkbox"/>	+\$0
942	sundance cherry (natural) <input type="checkbox"/>	+\$0
943	caramel cherry <input type="checkbox"/>	+\$0
946	cocoa cherry <input type="checkbox"/>	+\$0
951	natural anigre <input type="checkbox"/>	+\$2860
956	cocoa sapele <input type="checkbox"/>	+\$0
962	toasted walnut, low sheen <input type="checkbox"/>	+\$0
963	charred walnut, low sheen <input type="checkbox"/>	+\$0
964	bronzed walnut, low sheen <input type="checkbox"/>	+\$0
965	smoked walnut, low sheen <input type="checkbox"/>	+\$0
966	coffee walnut, low sheen <input type="checkbox"/>	+\$0
967	smoked paldao, low sheen <input type="checkbox"/>	+\$1073
969	warm paldao, low sheen <input type="checkbox"/>	+\$1073
977	chocolate ash, low sheen <input type="checkbox"/>	+\$0
978	natural oak <input type="checkbox"/>	+\$0
981	champagne hickory (natural) <input type="checkbox"/>	+\$0
98R	recograin rosewood <input type="checkbox"/>	+\$0
991	champagne ash <input type="checkbox"/>	+\$0
998	ebony ash <input type="checkbox"/>	+\$0
99A	recograin frosty ash <input type="checkbox"/>	+\$0
99R	recograin rosewood <input type="checkbox"/>	+\$0
99T	recograin teak <input type="checkbox"/>	+\$0
9A1	white ash, quarter cut, low sheen <input type="checkbox"/>	+\$0
9K1	rift oak, rift cut, low sheen <input type="checkbox"/>	+\$0
9K6	burnt oak, rift cut, low sheen <input type="checkbox"/>	+\$0
G2U	light brown walnut, low sheen <input type="checkbox"/>	+\$0
G40	dark brown walnut, low sheen <input type="checkbox"/>	+\$0

Sled Base Mobile Credenza

continued

Premium Veneer - Matte

For four drawers left, BBF right (-B3B4)

662	toasted walnut, matte sheen <input type="checkbox"/>	+\$0
663	charred walnut, matte sheen <input type="checkbox"/>	+\$0
664	bronzed walnut, matte sheen <input type="checkbox"/>	+\$0
665	smoked walnut, matte sheen <input type="checkbox"/>	+\$0
666	coffee walnut, matte sheen <input type="checkbox"/>	+\$0
667	smoked paldao, quarter cut, matte sheen <input type="checkbox"/>	+\$1073
669	warm paldao, quarter cut, matte sheen <input type="checkbox"/>	+\$1073
66A	recograin frosty ash <input type="checkbox"/>	+\$0
677	chocolate ash, matte sheen <input type="checkbox"/>	+\$0
678	natural oak <input type="checkbox"/>	+\$0
68R	recograin rosewood <input type="checkbox"/>	+\$0
69A	recograin frosty ash <input type="checkbox"/>	+\$0
69R	recograin rosewood <input type="checkbox"/>	+\$0
69T	recograin teak <input type="checkbox"/>	+\$0
6A1	white ash <input type="checkbox"/>	+\$0
6K1	rift oak <input type="checkbox"/>	+\$0
6K6	burnt oak <input type="checkbox"/>	+\$0
ET	clear on ash <input type="checkbox"/>	+\$0
EU	oak on ash <input type="checkbox"/>	+\$0
EV	walnut on ash <input type="checkbox"/>	+\$0
GOU	natural walnut, flat cut, matte sheen <input type="checkbox"/>	+\$0

RecoGrain Veneer

For four drawers left, BBF right (-B3B4)

68W	recograin walnut, flat cut, matte sheen <input type="checkbox"/>	-\$358
69K	recograin oak, quarter cut, matte sheen <input type="checkbox"/>	-\$358
69W	recograin walnut, quarter cut, matte sheen <input type="checkbox"/>	-\$358

Recon Veneer -

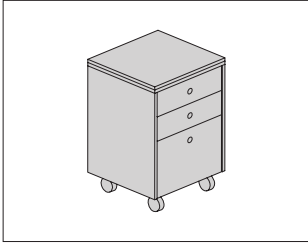
For four drawers left, BBF right (-B3B4)

98W	recograin walnut, flat cut, low sheen <input type="checkbox"/>	-\$358
99K	recograin oak, quarter cut, low sheen <input type="checkbox"/>	-\$358
99W	recograin walnut, quarter cut, low sheen <input type="checkbox"/>	-\$358

Step 5. Metal Finish

CHR	chrome <input type="checkbox"/>	+\$0
SAC	satin chrome <input type="checkbox"/>	+\$0

Sled Base Mobile Pedestal Stone JMS1S Top



HermanMiller Ancillary-Storage

Product Information

Description

This one-unit wide mobile pedestal has a stone top with metal frame. Drawers include wood boxes and self-closing hidden drawer slides. The casters are black with a silver yoke and no brake. Ward Bennett Flip pull comes in matching metal finish.

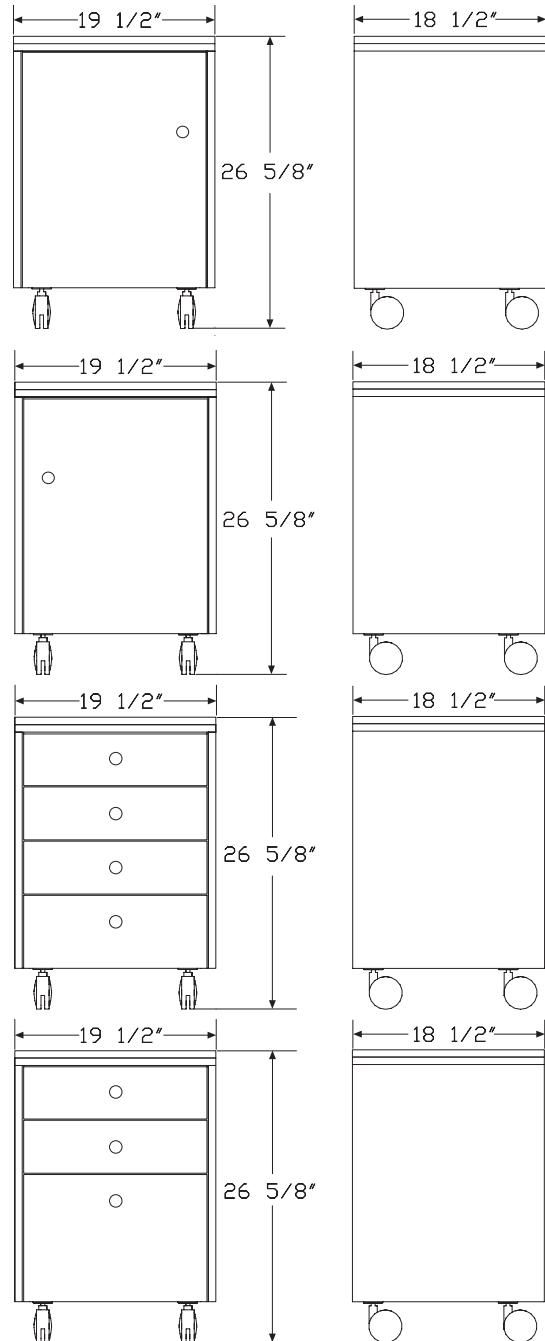
Notes

Mobile credenzas ship assembled.

B3 and B4 box drawers include pencil tray and felt lining in bottom of top drawer.

Santos palisander veneer is celebrated for its unique grain and color variations. Similar products ordered in multiples or dissimilar products ordered separately should be expected to have variation in both grain and color characteristics; no two products will look exactly alike.

Dimensions



Sled Base Mobile Pedestal Stone Top *continued*

Specification Information					
Step 1.					
JMS1S <input type="checkbox"/>					
Step 2. Size					
-1920 18 ¹ / ₂ " deep x 19 ¹ / ₂ " wide x 26 ⁵ / ₈ " high <input type="checkbox"/>					
Step 3. Configuration					
-B2L	single door, hinged left	<input type="checkbox"/>			
-B2R	single door, hinged right	<input type="checkbox"/>			
-B3	four box drawer	<input type="checkbox"/>			
-B4	box, box, file	<input type="checkbox"/>			
Prices for Steps 1-3.					
		-B2L	-B2R	-B3	-B4
JMS1S -1920		\$6525	6525	8177	7549

Step 4. Wood Finish		
Premium Veneer - Low Sheen		
<i>For single door, hinged left (-B2L) or single door, hinged right (-B2R)</i>		
931	champagne anigre (natural) <input type="checkbox"/>	+\$1708
932	sundance anigre <input type="checkbox"/>	+\$1708
933	caramel anigre <input type="checkbox"/>	+\$1708
934	henna anigre <input type="checkbox"/>	+\$1708
941	natural beech <input type="checkbox"/>	+\$0
942	sundance cherry (natural) <input type="checkbox"/>	+\$0
943	caramel cherry <input type="checkbox"/>	+\$0
946	cocoa cherry <input type="checkbox"/>	+\$0
951	natural anigre <input type="checkbox"/>	+\$1708
956	cocoa sapele <input type="checkbox"/>	+\$0
962	toasted walnut, low sheen <input type="checkbox"/>	+\$0
963	charred walnut, low sheen <input type="checkbox"/>	+\$0
964	bronzed walnut, low sheen <input type="checkbox"/>	+\$0
965	smoked walnut, low sheen <input type="checkbox"/>	+\$0
966	coffee walnut, low sheen <input type="checkbox"/>	+\$0
967	smoked paldao, low sheen <input type="checkbox"/>	+\$641
969	warm paldao, low sheen <input type="checkbox"/>	+\$641
977	chocolate ash, low sheen <input type="checkbox"/>	+\$0
978	natural oak <input type="checkbox"/>	+\$0
981	champagne hickory (natural) <input type="checkbox"/>	+\$0
98R	recograin rosewood <input type="checkbox"/>	+\$0
991	champagne ash <input type="checkbox"/>	+\$0
998	ebony ash <input type="checkbox"/>	+\$0
99A	recograin frosty ash <input type="checkbox"/>	+\$0
99R	recograin rosewood <input type="checkbox"/>	+\$0
99T	recograin teak <input type="checkbox"/>	+\$0
9A1	white ash, quarter cut, low sheen <input type="checkbox"/>	+\$0
9K1	rift oak, rift cut, low sheen <input type="checkbox"/>	+\$0
9K6	burnt oak, rift cut, low sheen <input type="checkbox"/>	+\$0
G2U	light brown walnut, low sheen <input type="checkbox"/>	+\$0
G40	dark brown walnut, low sheen <input type="checkbox"/>	+\$0

Sled Base Mobile Pedestal Stone

Top *continued*

HermanMiller Ancillary-Storage

Premium Veneer - Matte

For single door, hinged left (-B2L) or single door, hinged right (-B2R)

662	toasted walnut, matte sheen A	+\$0
663	charred walnut, matte sheen A	+\$0
664	bronzed walnut, matte sheen A	+\$0
665	smoked walnut, matte sheen A	+\$0
666	coffee walnut, matte sheen A	+\$0
667	smoked paldao, quarter cut, matte sheen A	+\$641
669	warm paldao, quarter cut, matte sheen A	+\$641
66A	recograin frosty ash A	+\$0
677	chocolate ash, matte sheen A	+\$0
678	natural oak A	+\$0
68R	recograin rosewood A	+\$0
69A	recograin frosty ash A	+\$0
69R	recograin rosewood A	+\$0
69T	recograin teak A	+\$0
6A1	white ash A	+\$0
6K1	rift oak A	+\$0
6K6	burnt oak A	+\$0
ET	clear on ash A	+\$0
EU	oak on ash A	+\$0
EV	walnut on ash A	+\$0
GOU	natural walnut, flat cut, matte sheen A	+\$0

RecoGrain Veneer

For single door, hinged left (-B2L) or single door, hinged right (-B2R)

68W	recograin walnut, flat cut, matte sheen A	-\$214
69K	recograin oak, quarter cut, matte sheen A	-\$214
69W	recograin walnut, quarter cut, matte sheen A	-\$214

Recon Veneer -

For single door, hinged left (-B2L) or single door, hinged right (-B2R)

98W	recograin walnut, flat cut, low sheen A	-\$214
99K	recograin oak, quarter cut, low sheen A	-\$214
99W	recograin walnut, quarter cut, low sheen A	-\$214

Premium Veneer - Low Sheen

For four box drawer (-B3)

931	champagne anigre (natural) A	+\$2141
932	sundance anigre A	+\$2141
933	caramel anigre A	+\$2141
934	henna anigre A	+\$2141
941	natural beech A	+\$0
942	sundance cherry (natural) A	+\$0
943	caramel cherry A	+\$0
946	cocoa cherry A	+\$0
951	natural anigre A	+\$2141
956	cocoa sapele A	+\$0
962	toasted walnut, low sheen A	+\$0
963	charred walnut, low sheen A	+\$0
964	bronzed walnut, low sheen A	+\$0
965	smoked walnut, low sheen A	+\$0
966	coffee walnut, low sheen A	+\$0
967	smoked paldao, low sheen A	+\$803
969	warm paldao, low sheen A	+\$803
977	chocolate ash, low sheen A	+\$0
978	natural oak A	+\$0
981	champagne hickory (natural) A	+\$0
98R	recograin rosewood A	+\$0
991	champagne ash A	+\$0
998	ebony ash A	+\$0
99A	recograin frosty ash A	+\$0
99R	recograin rosewood A	+\$0
99T	recograin teak A	+\$0
9A1	white ash, quarter cut, low sheen A	+\$0
9K1	rift oak, rift cut, low sheen A	+\$0
9K6	burnt oak, rift cut, low sheen A	+\$0
G2U	light brown walnut, low sheen A	+\$0
G40	dark brown walnut, low sheen A	+\$0

Sled Base Mobile Pedestal Stone Top *continued*

Premium Veneer - Matte

For four box drawer (-B3)

662	toasted walnut, matte sheen <input type="checkbox"/>	+\$0
663	charred walnut, matte sheen <input type="checkbox"/>	+\$0
664	bronzed walnut, matte sheen <input type="checkbox"/>	+\$0
665	smoked walnut, matte sheen <input type="checkbox"/>	+\$0
666	coffee walnut, matte sheen <input type="checkbox"/>	+\$0
667	smoked paldao, quarter cut, matte sheen <input type="checkbox"/>	+\$803
669	warm paldao, quarter cut, matte sheen <input type="checkbox"/>	+\$803
66A	recograin frosty ash <input type="checkbox"/>	+\$0
677	chocolate ash, matte sheen <input type="checkbox"/>	+\$0
678	natural oak <input type="checkbox"/>	+\$0
68R	recograin rosewood <input type="checkbox"/>	+\$0
69A	recograin frosty ash <input type="checkbox"/>	+\$0
69R	recograin rosewood <input type="checkbox"/>	+\$0
69T	recograin teak <input type="checkbox"/>	+\$0
6A1	white ash <input type="checkbox"/>	+\$0
6K1	rift oak <input type="checkbox"/>	+\$0
6K6	burnt oak <input type="checkbox"/>	+\$0
ET	clear on ash <input type="checkbox"/>	+\$0
EU	oak on ash <input type="checkbox"/>	+\$0
EV	walnut on ash <input type="checkbox"/>	+\$0
GOU	natural walnut, flat cut, matte sheen <input type="checkbox"/>	+\$0

RecoGrain Veneer

For four box drawer (-B3)

68W	recograin walnut, flat cut, matte sheen <input type="checkbox"/>	-\$268
69K	recograin oak, quarter cut, matte sheen <input type="checkbox"/>	-\$268
69W	recograin walnut, quarter cut, matte sheen <input type="checkbox"/>	-\$268

Recon Veneer -

For four box drawer (-B3)

98W	recograin walnut, flat cut, low sheen <input type="checkbox"/>	-\$268
99K	recograin oak, quarter cut, low sheen <input type="checkbox"/>	-\$268
99W	recograin walnut, quarter cut, low sheen <input type="checkbox"/>	-\$268

Premium Veneer - Low Sheen

For box, box, file (-B4)

931	champagne anigre (natural) <input type="checkbox"/>	+\$1976
932	sundance anigre <input type="checkbox"/>	+\$1976
933	caramel anigre <input type="checkbox"/>	+\$1976
934	henna anigre <input type="checkbox"/>	+\$1976
941	natural beech <input type="checkbox"/>	+\$0
942	sundance cherry (natural) <input type="checkbox"/>	+\$0
943	caramel cherry <input type="checkbox"/>	+\$0
946	cocoa cherry <input type="checkbox"/>	+\$0
951	natural anigre <input type="checkbox"/>	+\$1976
956	cocoa sapele <input type="checkbox"/>	+\$0
962	toasted walnut, low sheen <input type="checkbox"/>	+\$0
963	charred walnut, low sheen <input type="checkbox"/>	+\$0
964	bronzed walnut, low sheen <input type="checkbox"/>	+\$0
965	smoked walnut, low sheen <input type="checkbox"/>	+\$0
966	coffee walnut, low sheen <input type="checkbox"/>	+\$0
967	smoked paldao, low sheen <input type="checkbox"/>	+\$741
969	warm paldao, low sheen <input type="checkbox"/>	+\$741
977	chocolate ash, low sheen <input type="checkbox"/>	+\$0
978	natural oak <input type="checkbox"/>	+\$0
981	champagne hickory (natural) <input type="checkbox"/>	+\$0
98R	recograin rosewood <input type="checkbox"/>	+\$0
991	champagne ash <input type="checkbox"/>	+\$0
998	ebony ash <input type="checkbox"/>	+\$0
99A	recograin frosty ash <input type="checkbox"/>	+\$0
99R	recograin rosewood <input type="checkbox"/>	+\$0
99T	recograin teak <input type="checkbox"/>	+\$0
9A1	white ash, quarter cut, low sheen <input type="checkbox"/>	+\$0
9K1	rift oak, rift cut, low sheen <input type="checkbox"/>	+\$0
9K6	burnt oak, rift cut, low sheen <input type="checkbox"/>	+\$0
G2U	light brown walnut, low sheen <input type="checkbox"/>	+\$0
G40	dark brown walnut, low sheen <input type="checkbox"/>	+\$0

Sled Base Mobile Pedestal Stone

Top *continued*

HermanMiller Ancillary-Storage

Premium Veneer - Matte

For box, box, file (-B4)

662	toasted walnut, matte sheen <input type="checkbox"/>	+\$0
663	charred walnut, matte sheen <input type="checkbox"/>	+\$0
664	bronzed walnut, matte sheen <input type="checkbox"/>	+\$0
665	smoked walnut, matte sheen <input type="checkbox"/>	+\$0
666	coffee walnut, matte sheen <input type="checkbox"/>	+\$0
667	smoked paldao, quarter cut, matte sheen <input type="checkbox"/>	+\$741
669	warm paldao, quarter cut, matte sheen <input type="checkbox"/>	+\$741
66A	recograin frosty ash <input type="checkbox"/>	+\$0
677	chocolate ash, matte sheen <input type="checkbox"/>	+\$0
678	natural oak <input type="checkbox"/>	+\$0
68R	recograin rosewood <input type="checkbox"/>	+\$0
69A	recograin frosty ash <input type="checkbox"/>	+\$0
69R	recograin rosewood <input type="checkbox"/>	+\$0
69T	recograin teak <input type="checkbox"/>	+\$0
6A1	white ash <input type="checkbox"/>	+\$0
6K1	rift oak <input type="checkbox"/>	+\$0
6K6	burnt oak <input type="checkbox"/>	+\$0
ET	clear on ash <input type="checkbox"/>	+\$0
EU	oak on ash <input type="checkbox"/>	+\$0
EV	walnut on ash <input type="checkbox"/>	+\$0
GOU	natural walnut, flat cut, matte sheen <input type="checkbox"/>	+\$0

RecoGrain Veneer

For box, box, file (-B4)

68W	recograin walnut, flat cut, matte sheen <input type="checkbox"/>	-\$247
69K	recograin oak, quarter cut, matte sheen <input type="checkbox"/>	-\$247
69W	recograin walnut, quarter cut, matte sheen <input type="checkbox"/>	-\$247

Recon Veneer -

For box, box, file (-B4)

98W	recograin walnut, flat cut, low sheen <input type="checkbox"/>	-\$247
99K	recograin oak, quarter cut, low sheen <input type="checkbox"/>	-\$247
99W	recograin walnut, quarter cut, low sheen <input type="checkbox"/>	-\$247

Step 5. Stone or Marble Top

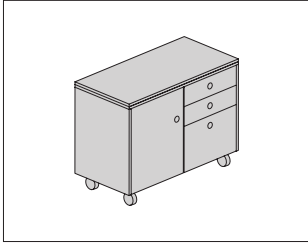
200	perfato marble <input type="checkbox"/>	+\$0
250	verde antique marble <input type="checkbox"/>	+\$0
400	black granite <input type="checkbox"/>	+\$0
5U	georgia grey marble <input type="checkbox"/>	+\$0
800	autumn brown granite <input type="checkbox"/>	+\$0
960	white carrara marble <input type="checkbox"/>	+\$0

Step 6. Metal Finish

CHR	chrome <input type="checkbox"/>	+\$0
SAC	satin chrome <input type="checkbox"/>	+\$0

Sled Base Mobile Credenza
Stone Top

JMS2S



Product Information

Description

This two-unit wide mobile pedestal has a stone top with metal frame. The casters are black with a silver yoke and no brake. Drawers include wood boxes and self-closing hidden drawer slides. Ward Bennett Flip pulls come in matching metal finish.

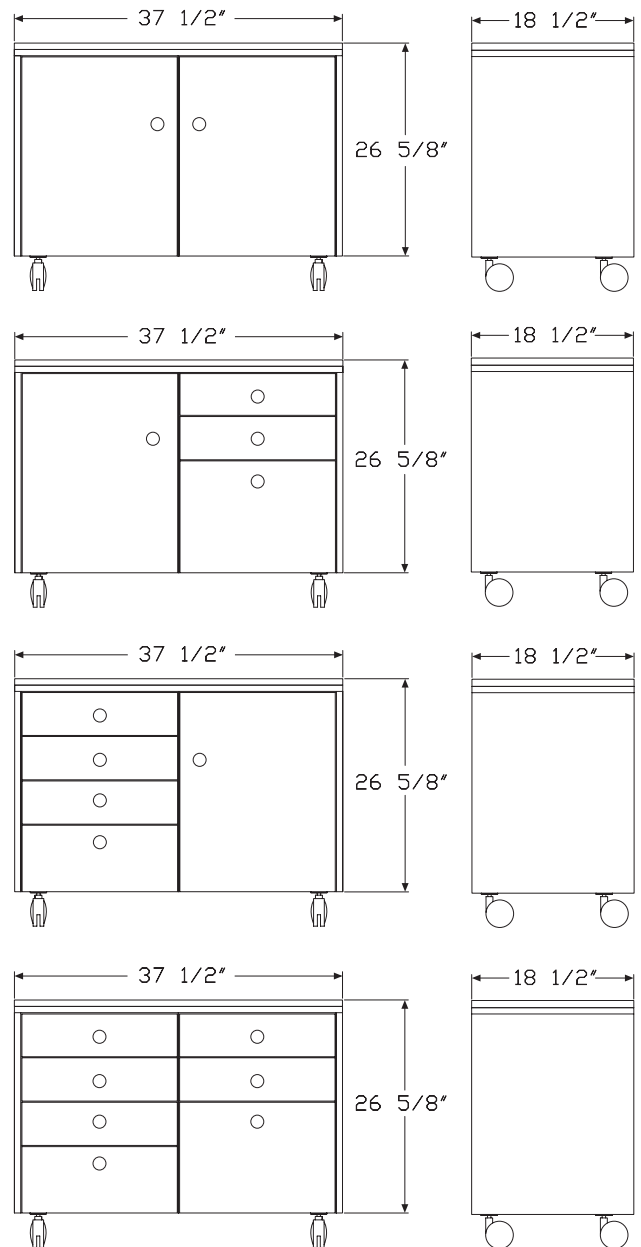
Notes

Mobile credenzas ship assembled.

B3 and B4 box drawers include pencil tray and felt lining in bottom of top drawer.

Santos palisander veneer is celebrated for its unique grain and color variations. Similar products ordered in multiples or dissimilar products ordered separately should be expected to have variation in both grain and color characteristics; no two products will look exactly alike.

Dimensions



HermanMiller Ancillary—Storage

Sled Base Mobile Credenza

Stone Top *continued*

Specification Information					
Step 1.					
JMS2S <input type="checkbox"/>					
Step 2. Size					
-1938	18 ¹ / ₂ " deep	x 37 ¹ / ₂ " wide	x 26 ⁵ / ₈ " high	<input type="checkbox"/>	
Step 3. Configuration					
-B2B2	two doors	<input type="checkbox"/>			
-B2B4	single door left, BBF right	<input type="checkbox"/>			
-B3B2	four drawers left, single door right	<input type="checkbox"/>			
-B3B4	four drawers left, BBF right	<input type="checkbox"/>			
Prices for Steps 1-3.					
		-B2B2	-B2B4	-B3B2	-B3B4
JMS2S -1938		\$11438	12464	13092	14124

Step 4. Wood Finish		
Premium Veneer - Low Sheen		
<i>For two doors (-B2B2)</i>		
931	champagne anigre (natural) <input type="checkbox"/>	+\$2996
932	sundance anigre <input type="checkbox"/>	+\$2996
933	caramel anigre <input type="checkbox"/>	+\$2996
934	henna anigre <input type="checkbox"/>	+\$2996
941	natural beech <input type="checkbox"/>	+\$0
942	sundance cherry (natural) <input type="checkbox"/>	+\$0
943	caramel cherry <input type="checkbox"/>	+\$0
946	cocoa cherry <input type="checkbox"/>	+\$0
951	natural anigre <input type="checkbox"/>	+\$2996
956	cocoa sapele <input type="checkbox"/>	+\$0
962	toasted walnut, low sheen <input type="checkbox"/>	+\$0
963	charred walnut, low sheen <input type="checkbox"/>	+\$0
964	bronzed walnut, low sheen <input type="checkbox"/>	+\$0
965	smoked walnut, low sheen <input type="checkbox"/>	+\$0
966	coffee walnut, low sheen <input type="checkbox"/>	+\$0
967	smoked paldao, low sheen <input type="checkbox"/>	+\$1124
969	warm paldao, low sheen <input type="checkbox"/>	+\$1124
977	chocolate ash, low sheen <input type="checkbox"/>	+\$0
978	natural oak <input type="checkbox"/>	+\$0
981	champagne hickory (natural) <input type="checkbox"/>	+\$0
98R	recograin rosewood <input type="checkbox"/>	+\$0
991	champagne ash <input type="checkbox"/>	+\$0
998	ebony ash <input type="checkbox"/>	+\$0
99A	recograin frosty ash <input type="checkbox"/>	+\$0
99R	recograin rosewood <input type="checkbox"/>	+\$0
99T	recograin teak <input type="checkbox"/>	+\$0
9A1	white ash, quarter cut, low sheen <input type="checkbox"/>	+\$0
9K1	rift oak, rift cut, low sheen <input type="checkbox"/>	+\$0
9K6	burnt oak, rift cut, low sheen <input type="checkbox"/>	+\$0
G2U	light brown walnut, low sheen <input type="checkbox"/>	+\$0
G40	dark brown walnut, low sheen <input type="checkbox"/>	+\$0

Sled Base Mobile Credenza

Stone Top *continued*

Premium Veneer - Matte

For two doors (-B2B2)

662	toasted walnut, matte sheen <input type="checkbox"/>	+\$0
663	charred walnut, matte sheen <input type="checkbox"/>	+\$0
664	bronzed walnut, matte sheen <input type="checkbox"/>	+\$0
665	smoked walnut, matte sheen <input type="checkbox"/>	+\$0
666	coffee walnut, matte sheen <input type="checkbox"/>	+\$0
667	smoked paldao, quarter cut, matte sheen <input type="checkbox"/>	+\$1124
669	warm paldao, quarter cut, matte sheen <input type="checkbox"/>	+\$1124
66A	recograin frosty ash <input type="checkbox"/>	+\$0
677	chocolate ash, matte sheen <input type="checkbox"/>	+\$0
678	natural oak <input type="checkbox"/>	+\$0
68R	recograin rosewood <input type="checkbox"/>	+\$0
69A	recograin frosty ash <input type="checkbox"/>	+\$0
69R	recograin rosewood <input type="checkbox"/>	+\$0
69T	recograin teak <input type="checkbox"/>	+\$0
6A1	white ash <input type="checkbox"/>	+\$0
6K1	rift oak <input type="checkbox"/>	+\$0
6K6	burnt oak <input type="checkbox"/>	+\$0
ET	clear on ash <input type="checkbox"/>	+\$0
EU	oak on ash <input type="checkbox"/>	+\$0
EV	walnut on ash <input type="checkbox"/>	+\$0
GOU	natural walnut, flat cut, matte sheen <input type="checkbox"/>	+\$0

RecoGrain Veneer

For two doors (-B2B2)

68W	recograin walnut, flat cut, matte sheen <input type="checkbox"/>	-\$375
69K	recograin oak, quarter cut, matte sheen <input type="checkbox"/>	-\$375
69W	recograin walnut, quarter cut, matte sheen <input type="checkbox"/>	-\$375

Recon Veneer -

For two doors (-B2B2)

98W	recograin walnut, flat cut, low sheen <input type="checkbox"/>	-\$375
99K	recograin oak, quarter cut, low sheen <input type="checkbox"/>	-\$375
99W	recograin walnut, quarter cut, low sheen <input type="checkbox"/>	-\$375

Premium Veneer - Low Sheen

For single door left, BBF right (-B2B4)

931	champagne anigre (natural) <input type="checkbox"/>	+\$3264
932	sundance anigre <input type="checkbox"/>	+\$3264
933	caramel anigre <input type="checkbox"/>	+\$3264
934	henna anigre <input type="checkbox"/>	+\$3264
941	natural beech <input type="checkbox"/>	+\$0
942	sundance cherry (natural) <input type="checkbox"/>	+\$0
943	caramel cherry <input type="checkbox"/>	+\$0
946	cocoa cherry <input type="checkbox"/>	+\$0
951	natural anigre <input type="checkbox"/>	+\$3264
956	cocoa sapele <input type="checkbox"/>	+\$0
962	toasted walnut, low sheen <input type="checkbox"/>	+\$0
963	charred walnut, low sheen <input type="checkbox"/>	+\$0
964	bronzed walnut, low sheen <input type="checkbox"/>	+\$0
965	smoked walnut, low sheen <input type="checkbox"/>	+\$0
966	coffee walnut, low sheen <input type="checkbox"/>	+\$0
967	smoked paldao, low sheen <input type="checkbox"/>	+\$1224
969	warm paldao, low sheen <input type="checkbox"/>	+\$1224
977	chocolate ash, low sheen <input type="checkbox"/>	+\$0
978	natural oak <input type="checkbox"/>	+\$0
981	champagne hickory (natural) <input type="checkbox"/>	+\$0
98R	recograin rosewood <input type="checkbox"/>	+\$0
991	champagne ash <input type="checkbox"/>	+\$0
998	ebony ash <input type="checkbox"/>	+\$0
99A	recograin frosty ash <input type="checkbox"/>	+\$0
99R	recograin rosewood <input type="checkbox"/>	+\$0
99T	recograin teak <input type="checkbox"/>	+\$0
9A1	white ash, quarter cut, low sheen <input type="checkbox"/>	+\$0
9K1	rift oak, rift cut, low sheen <input type="checkbox"/>	+\$0
9K6	burnt oak, rift cut, low sheen <input type="checkbox"/>	+\$0
G2U	light brown walnut, low sheen <input type="checkbox"/>	+\$0
G40	dark brown walnut, low sheen <input type="checkbox"/>	+\$0

Sled Base Mobile Credenza

Stone Top *continued*

Premium Veneer - Matte		
<i>For single door left, BBF right (-B2B4)</i>		
662	toasted walnut, matte sheen <input type="checkbox"/>	+\$0
663	charred walnut, matte sheen <input type="checkbox"/>	+\$0
664	bronzed walnut, matte sheen <input type="checkbox"/>	+\$0
665	smoked walnut, matte sheen <input type="checkbox"/>	+\$0
666	coffee walnut, matte sheen <input type="checkbox"/>	+\$0
667	smoked paldao, quarter cut, matte sheen <input type="checkbox"/>	+\$1224
669	warm paldao, quarter cut, matte sheen <input type="checkbox"/>	+\$1224
66A	recograin frosty ash <input type="checkbox"/>	+\$0
677	chocolate ash, matte sheen <input type="checkbox"/>	+\$0
678	natural oak <input type="checkbox"/>	+\$0
68R	recograin rosewood <input type="checkbox"/>	+\$0
69A	recograin frosty ash <input type="checkbox"/>	+\$0
69R	recograin rosewood <input type="checkbox"/>	+\$0
69T	recograin teak <input type="checkbox"/>	+\$0
6A1	white ash <input type="checkbox"/>	+\$0
6K1	rift oak <input type="checkbox"/>	+\$0
6K6	burnt oak <input type="checkbox"/>	+\$0
ET	clear on ash <input type="checkbox"/>	+\$0
EU	oak on ash <input type="checkbox"/>	+\$0
EV	walnut on ash <input type="checkbox"/>	+\$0
GOU	natural walnut, flat cut, matte sheen <input type="checkbox"/>	+\$0

RecoGrain Veneer		
<i>For single door left, BBF right (-B2B4)</i>		
68W	recograin walnut, flat cut, matte sheen <input type="checkbox"/>	-\$408
69K	recograin oak, quarter cut, matte sheen <input type="checkbox"/>	-\$408
69W	recograin walnut, quarter cut, matte sheen <input type="checkbox"/>	-\$408

Recon Veneer -		
<i>For single door left, BBF right (-B2B4)</i>		
98W	recograin walnut, flat cut, low sheen <input type="checkbox"/>	-\$408
99K	recograin oak, quarter cut, low sheen <input type="checkbox"/>	-\$408
99W	recograin walnut, quarter cut, low sheen <input type="checkbox"/>	-\$408

Premium Veneer - Low Sheen		
<i>For four drawers left, single door right (-B3B2)</i>		
931	champagne anigre (natural) <input type="checkbox"/>	+\$3428
932	sundance anigre <input type="checkbox"/>	+\$3428
933	caramel anigre <input type="checkbox"/>	+\$3428
934	henna anigre <input type="checkbox"/>	+\$3428
941	natural beech <input type="checkbox"/>	+\$0
942	sundance cherry (natural) <input type="checkbox"/>	+\$0
943	caramel cherry <input type="checkbox"/>	+\$0
946	cocoa cherry <input type="checkbox"/>	+\$0
951	natural anigre <input type="checkbox"/>	+\$3428
956	cocoa sapele <input type="checkbox"/>	+\$0
962	toasted walnut, low sheen <input type="checkbox"/>	+\$0
963	charred walnut, low sheen <input type="checkbox"/>	+\$0
964	bronzed walnut, low sheen <input type="checkbox"/>	+\$0
965	smoked walnut, low sheen <input type="checkbox"/>	+\$0
966	coffee walnut, low sheen <input type="checkbox"/>	+\$0
967	smoked paldao, low sheen <input type="checkbox"/>	+\$1286
969	warm paldao, low sheen <input type="checkbox"/>	+\$1286
977	chocolate ash, low sheen <input type="checkbox"/>	+\$0
978	natural oak <input type="checkbox"/>	+\$0
981	champagne hickory (natural) <input type="checkbox"/>	+\$0
98R	recograin rosewood <input type="checkbox"/>	+\$0
991	champagne ash <input type="checkbox"/>	+\$0
998	ebony ash <input type="checkbox"/>	+\$0
99A	recograin frosty ash <input type="checkbox"/>	+\$0
99R	recograin rosewood <input type="checkbox"/>	+\$0
99T	recograin teak <input type="checkbox"/>	+\$0
9A1	white ash, quarter cut, low sheen <input type="checkbox"/>	+\$0
9K1	rift oak, rift cut, low sheen <input type="checkbox"/>	+\$0
9K6	burnt oak, rift cut, low sheen <input type="checkbox"/>	+\$0
G2U	light brown walnut, low sheen <input type="checkbox"/>	+\$0
G40	dark brown walnut, low sheen <input type="checkbox"/>	+\$0

Sled Base Mobile Credenza

Stone Top *continued*

Premium Veneer - Matte

For four drawers left, single door right (-B3B2)

662	toasted walnut, matte sheen <input type="checkbox"/>	+\$0
663	charred walnut, matte sheen <input type="checkbox"/>	+\$0
664	bronzed walnut, matte sheen <input type="checkbox"/>	+\$0
665	smoked walnut, matte sheen <input type="checkbox"/>	+\$0
666	coffee walnut, matte sheen <input type="checkbox"/>	+\$0
667	smoked paldao, quarter cut, matte sheen <input type="checkbox"/>	+\$1286
669	warm paldao, quarter cut, matte sheen <input type="checkbox"/>	+\$1286
66A	recograin frosty ash <input type="checkbox"/>	+\$0
677	chocolate ash, matte sheen <input type="checkbox"/>	+\$0
678	natural oak <input type="checkbox"/>	+\$0
68R	recograin rosewood <input type="checkbox"/>	+\$0
69A	recograin frosty ash <input type="checkbox"/>	+\$0
69R	recograin rosewood <input type="checkbox"/>	+\$0
69T	recograin teak <input type="checkbox"/>	+\$0
6A1	white ash <input type="checkbox"/>	+\$0
6K1	rift oak <input type="checkbox"/>	+\$0
6K6	burnt oak <input type="checkbox"/>	+\$0
ET	clear on ash <input type="checkbox"/>	+\$0
EU	oak on ash <input type="checkbox"/>	+\$0
EV	walnut on ash <input type="checkbox"/>	+\$0
GOU	natural walnut, flat cut, matte sheen <input type="checkbox"/>	+\$0

RecoGrain Veneer

For four drawers left, single door right (-B3B2)

68W	recograin walnut, flat cut, matte sheen <input type="checkbox"/>	-\$429
69K	recograin oak, quarter cut, matte sheen <input type="checkbox"/>	-\$429
69W	recograin walnut, quarter cut, matte sheen <input type="checkbox"/>	-\$429

Recon Veneer -

For four drawers left, single door right (-B3B2)

98W	recograin walnut, flat cut, low sheen <input type="checkbox"/>	-\$429
99K	recograin oak, quarter cut, low sheen <input type="checkbox"/>	-\$429
99W	recograin walnut, quarter cut, low sheen <input type="checkbox"/>	-\$429

Premium Veneer - Low Sheen

For four drawers left, BBF right (-B3B4)

931	champagne anigre (natural) <input type="checkbox"/>	+\$3699
932	sundance anigre <input type="checkbox"/>	+\$3699
933	caramel anigre <input type="checkbox"/>	+\$3699
934	henna anigre <input type="checkbox"/>	+\$3699
941	natural beech <input type="checkbox"/>	+\$0
942	sundance cherry (natural) <input type="checkbox"/>	+\$0
943	caramel cherry <input type="checkbox"/>	+\$0
946	cocoa cherry <input type="checkbox"/>	+\$0
951	natural anigre <input type="checkbox"/>	+\$3699
956	cocoa sapele <input type="checkbox"/>	+\$0
962	toasted walnut, low sheen <input type="checkbox"/>	+\$0
963	charred walnut, low sheen <input type="checkbox"/>	+\$0
964	bronzed walnut, low sheen <input type="checkbox"/>	+\$0
965	smoked walnut, low sheen <input type="checkbox"/>	+\$0
966	coffee walnut, low sheen <input type="checkbox"/>	+\$0
967	smoked paldao, low sheen <input type="checkbox"/>	+\$1387
969	warm paldao, low sheen <input type="checkbox"/>	+\$1387
977	chocolate ash, low sheen <input type="checkbox"/>	+\$0
978	natural oak <input type="checkbox"/>	+\$0
981	champagne hickory (natural) <input type="checkbox"/>	+\$0
98R	recograin rosewood <input type="checkbox"/>	+\$0
991	champagne ash <input type="checkbox"/>	+\$0
998	ebony ash <input type="checkbox"/>	+\$0
99A	recograin frosty ash <input type="checkbox"/>	+\$0
99R	recograin rosewood <input type="checkbox"/>	+\$0
99T	recograin teak <input type="checkbox"/>	+\$0
9A1	white ash, quarter cut, low sheen <input type="checkbox"/>	+\$0
9K1	rift oak, rift cut, low sheen <input type="checkbox"/>	+\$0
9K6	burnt oak, rift cut, low sheen <input type="checkbox"/>	+\$0
G2U	light brown walnut, low sheen <input type="checkbox"/>	+\$0
G40	dark brown walnut, low sheen <input type="checkbox"/>	+\$0

Sled Base Mobile Credenza

Stone Top *continued*

Premium Veneer - Matte		
<i>For four drawers left, BBF right (-B3B4)</i>		
662	toasted walnut, matte sheen <input type="checkbox"/>	+\$0
663	charred walnut, matte sheen <input type="checkbox"/>	+\$0
664	bronzed walnut, matte sheen <input type="checkbox"/>	+\$0
665	smoked walnut, matte sheen <input type="checkbox"/>	+\$0
666	coffee walnut, matte sheen <input type="checkbox"/>	+\$0
667	smoked paldao, quarter cut, matte sheen <input type="checkbox"/>	+\$1387
669	warm paldao, quarter cut, matte sheen <input type="checkbox"/>	+\$1387
66A	recograin frosty ash <input type="checkbox"/>	+\$0
677	chocolate ash, matte sheen <input type="checkbox"/>	+\$0
678	natural oak <input type="checkbox"/>	+\$0
68R	recograin rosewood <input type="checkbox"/>	+\$0
69A	recograin frosty ash <input type="checkbox"/>	+\$0
69R	recograin rosewood <input type="checkbox"/>	+\$0
69T	recograin teak <input type="checkbox"/>	+\$0
6A1	white ash <input type="checkbox"/>	+\$0
6K1	rift oak <input type="checkbox"/>	+\$0
6K6	burnt oak <input type="checkbox"/>	+\$0
ET	clear on ash <input type="checkbox"/>	+\$0
EU	oak on ash <input type="checkbox"/>	+\$0
EV	walnut on ash <input type="checkbox"/>	+\$0
GOU	natural walnut, flat cut, matte sheen <input type="checkbox"/>	+\$0

RecoGrain Veneer		
<i>For four drawers left, BBF right (-B3B4)</i>		
68W	recograin walnut, flat cut, matte sheen <input type="checkbox"/>	-\$463
69K	recograin oak, quarter cut, matte sheen <input type="checkbox"/>	-\$463
69W	recograin walnut, quarter cut, matte sheen <input type="checkbox"/>	-\$463

Recon Veneer -		
<i>For four drawers left, BBF right (-B3B4)</i>		
98W	recograin walnut, flat cut, low sheen <input type="checkbox"/>	-\$463
99K	recograin oak, quarter cut, low sheen <input type="checkbox"/>	-\$463
99W	recograin walnut, quarter cut, low sheen <input type="checkbox"/>	-\$463

Step 5. Stone or Marble Top		
200	perfato marble <input type="checkbox"/>	+\$0
250	verde antique marble <input type="checkbox"/>	+\$0
400	black granite <input type="checkbox"/>	+\$0
5U	georgia grey marble <input type="checkbox"/>	+\$0
800	autumn brown granite <input type="checkbox"/>	+\$0
960	white carrara marble <input type="checkbox"/>	+\$0

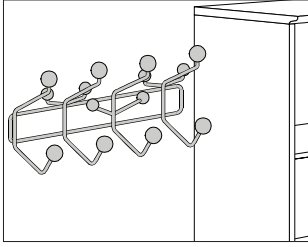
Step 6. Metal Finish		
CHR	chrome <input type="checkbox"/>	+\$0
SAC	satin chrome <input type="checkbox"/>	+\$0

Accessories

Lighting

Eames® Hang-It-All®

HIA91
 HIABK
 HIAML
 HIAOU
 HIAPR
 HIAUL

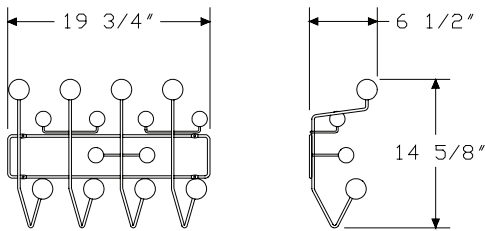


Product Information

Description

The Hang-It-All® frame is steel rod, available in white, black or dark blue. The black frame is available with solid wooden spheres in black or solid walnut. The white frame is available with either the multi-color option with 14 solid wooden spheres in 9 different colors: yellow, mustard, blue, green, red, pastel pink, bold pink, purple, and black, or the white option with solid wooden spheres in white or solid walnut. The dark blue frame is offered with solid maple spheres finished in a matte sheen. The Pride Edition is available with 14 solid wooden spheres in 7 different colors: red, orange, yellow, green, bright blue, purple, and black, and it also has a walnut sphere. Attachment hardware is included.

Dimensions



Specification Information

Step 1.

HIA

Step 2. Sphere Finish

91	white
BK	black
MLC	multi-color (multi-color spheres with white frame)
OU	walnut
PRD	pride edition
UL	natural maple

Step 3. Wire Finish

For multi-color (multi-color spheres with white frame) (MLC)

91 white

For white (91)

91 white

For black (BK)

BK black

For walnut (OU)

91 white

BK black

For natural maple (UL)

DBM dark blue maple

For pride edition (PRD)

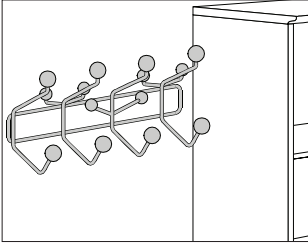
91 white

Prices for Steps 1-3.

HIA91 91	\$257
HIABK BK	\$257
HIAML 91	\$303
HIAOU 91	\$408
BK	\$408
HIAPRD 91	\$303
HIAUL DBM	\$396

Eames® Hang-It-All® Herman
Miller x HAY

HIAC.

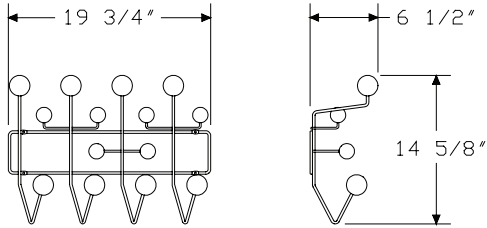


HermanMiller Ancillary-Accessories

Product Information

Description
The Hang-It-All® has solid wooden spheres on a steel rod frame. Attachment hardware is included.

Dimensions



Specification Information

Step 1.

HIAC. A

Step 2. Wire Finish

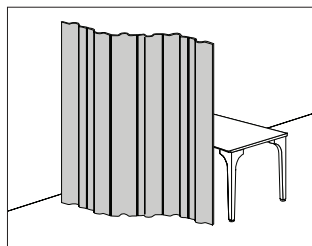
MNT mint green A

PDY powder yellow A

Prices for Steps 1-2.

HIAC.	MNT	\$496
	PDY	\$496

Eames® Molded Plywood Folding Screen FSW.



Product Information

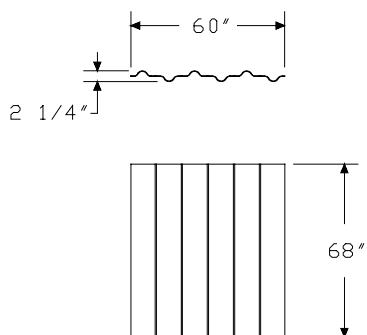
Description

This 6-paneled, 5-ply screen has natural face veneers with lightweight hardwood inner plies. It stands alone to create standing or seated privacy and divisions within an environment. Each molded plywood section is connected by woven polypropylene mesh.

Notes

Ebony (EN) option is stain on ash veneer; inner plies are not as visible.

Dimensions



Specification Information

Step 1.

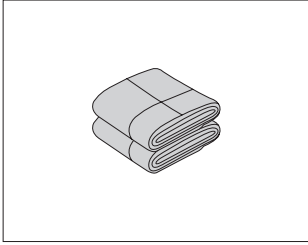
FSW. A \$4654

Step 2. Surface Finish

EN ebony A +\$0
OU walnut A +\$225
A2 white ash A +\$225

Girard® Throw

HA-GT



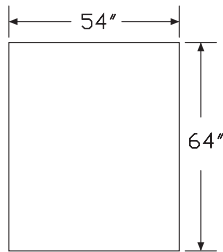
HermanMiller Ancillary—Accessories

Product Information

Description

In the 1960's, Alexander Girard designed this richly hued throw blanket as part of an astounding 17,543 item brand identity system—from logo to lounge furniture to bag tags—for Braniff International Airways. The re-created designs are crafted from a blend of 82% naturally breathable, wrinkle resistant, high quality virgin wool and 18% cotton.

Dimensions



Specification Information

Step 1.

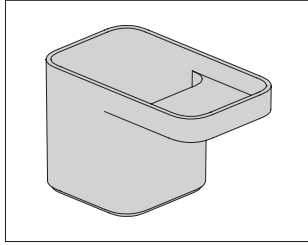
HA-GT \$476

Step 2. Finish

TLA	teal/aqua	+\$0
ORF	orange/fuchsia	+\$0
BKW	black/white	+\$0
NLW	natural/white	+\$0

Pencil Cup

CY100.



Product Information

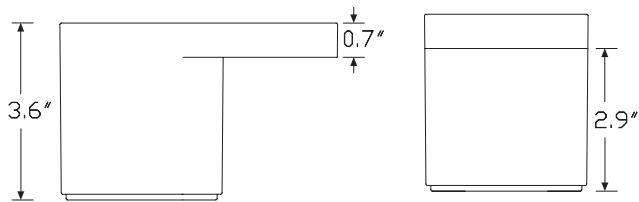
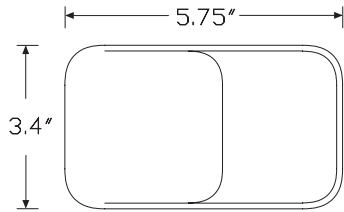
Description

The pencil cup is designed to hold pencils, pens, markers, and office tools. It also has an integrated ledge for convenient storage of other small items. It is crafted of high gloss ABS plastic with a silicone base.

Notes

Formwork® is a modular system of containers that may be arranged, stacked, and combined to best organize tools and accessories.

Dimensions



Specification Information

Step 1.

CY100. \$36

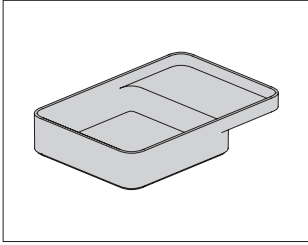
Step 2. Finish

CRT concrete +\$0

NYX onyx +\$0

Tray

CY101.



HermanMiller Ancillary-Accessories

Product Information

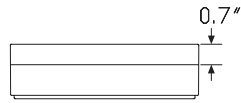
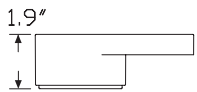
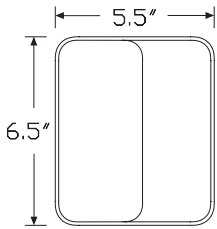
Description

These stackable trays are designed to hold small office tools and personal items, and have an integrated ledge for convenient storage of other objects such as business cards or a pad of sticky notes. They are crafted of high gloss ABS plastic with a silicone base.

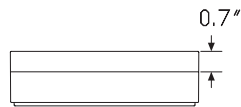
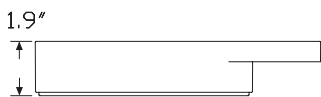
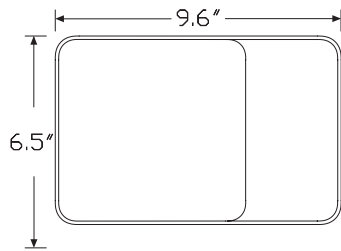
Notes

Formwork® is a modular system of containers that may be arranged, stacked, and combined to best organize tools and accessories.

Dimensions



Tray-Small



Tray-Large

Specification Information

Step 1.

CY101.

Step 2. Size

S small

L large

Prices for Steps 1-2.

CY101. S	\$38
L	\$46

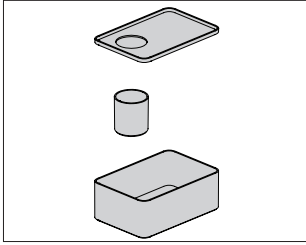
Step 3. Finish

CRT concrete +\$0

NYX onyx +\$0

Box

CY102.



Product Information

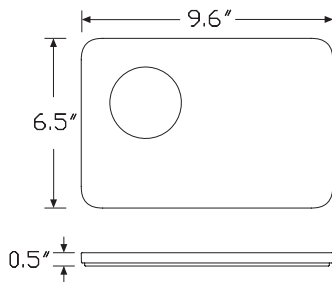
Description

These stackable boxes are designed to hold office tools and personal items, and have a cup for convenient storage of other objects such as paper clips, tacks, and loose change. They are crafted of high gloss ABS plastic with a silicone base.

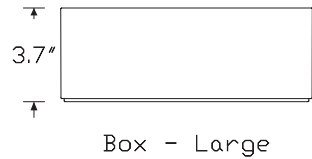
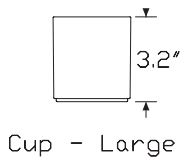
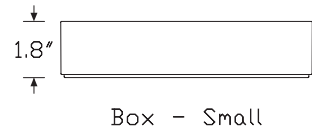
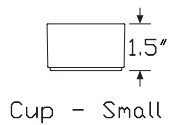
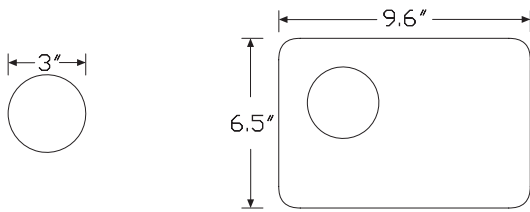
Notes

Formwork® is a modular system of containers that may be arranged, stacked, and combined to best organize tools and accessories.

Dimensions



Lid



Specification Information

Step 1.

CY102.

Step 2. Size

- S** small
- L** large

Prices for Steps 1-2.

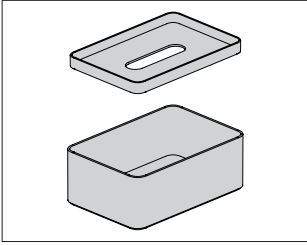
CY102. S	\$79
L	\$94

Step 3. Finish

CRT concrete	+\$0
NYX onyx	+\$0

Tissue Box

CY103.



HermanMiller Ancillary—Accessories

Product Information

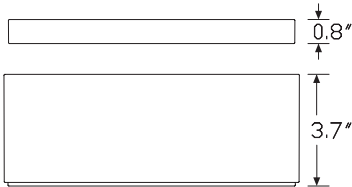
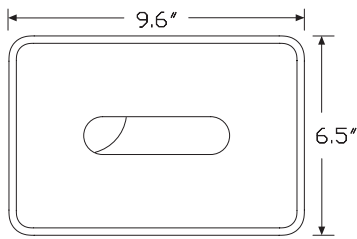
Description

The tissue box is crafted of high gloss ABS plastic with a silicone base.

Notes

Formwork® is a modular system of containers that may be arranged, stacked, and combined to best organize tools and accessories.

Dimensions



Specification Information

Step 1.

CY103. \$92

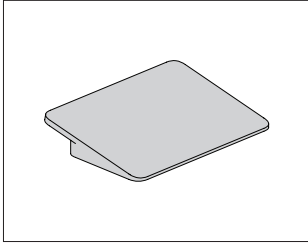
Step 2. Finish

CRT concrete +\$0

NYX onyx +\$0

Media Stand

CY104.



Product Information

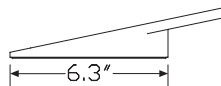
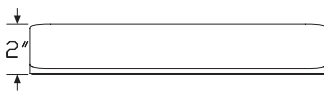
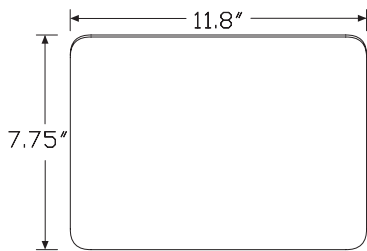
Description

The media stand supports tablets, notebooks, and small laptops. It is crafted of high gloss ABS plastic with a silicone top.

Notes

Formwork® is a modular system of containers that may be arranged, stacked, and combined to best organize tools and accessories.

Dimensions



Specification Information

Step 1.

CY104. \$99

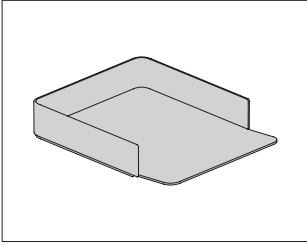
Step 2. Finish

CRT concrete +\$0

NYX onyx +\$0

Paper Tray

CY105.



HermanMiller Ancillary—Accessories

Product Information

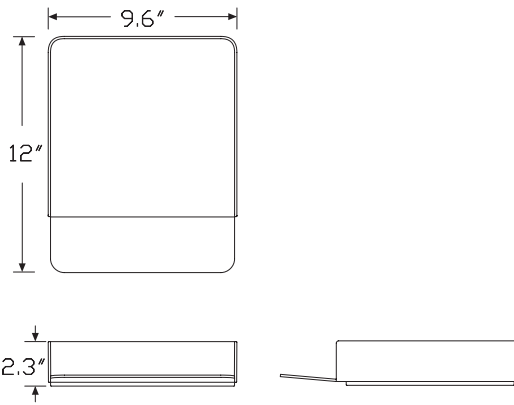
Description

This stackable paper tray is crafted of high gloss ABS plastic.

Notes

Formwork® is a modular system of containers that may be arranged, stacked, and combined to best organize tools and accessories.

Dimensions



Specification Information

Step 1.

CY105. \$44

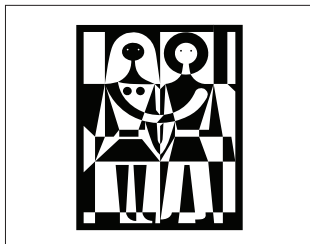
Step 2. Finish

CRT concrete +\$0

NYX onyx +\$0

Environmental Enrichment
Panel, Black and White

EE535

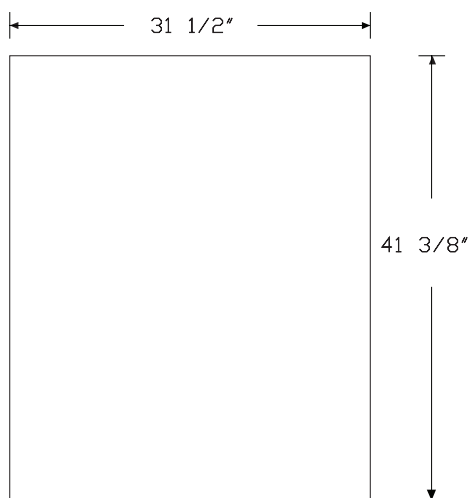


Product Information

Description

This environmental enrichment panel is 31.5"×41.33" and is screen printed by hand on 100% linen fabric with serged edges. Finished option comes with a bracket and 2 dowel rods for mounting.

Dimensions



Specification Information

Step 1.

EE A

Step 2. Form

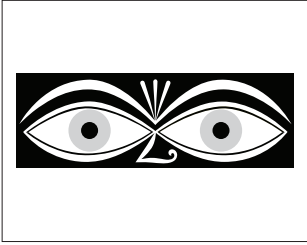
535 finished A

Prices for Steps 1-2.

EE535 \$696

Environmental Enrichment
Panel, Eyes

EE514



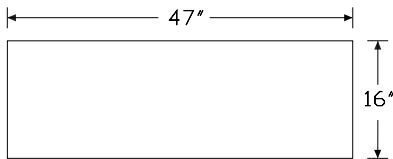
HermanMiller Ancillary-Accessories

Product Information

Description

This environmental enrichment panel is 31.5"×18.35" and is screen printed by hand on 100% linen fabric with serged edges. Finished option comes with a bracket and 2 dowel rods for mounting.

Dimensions



Specification Information

Step 1.

EE A

Step 2. Form

514 finished A

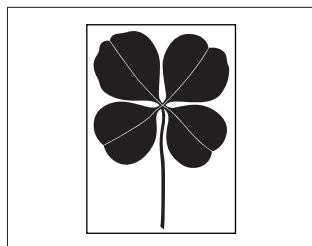
Prices for Steps 1-2.

EE514

\$729

Environmental Enrichment Panel, Four Leaf Clover

EE529

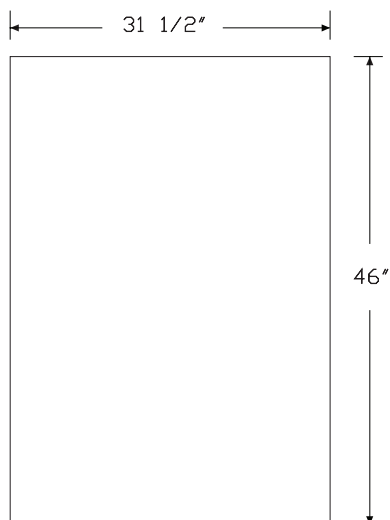


Product Information

Description

This environmental enrichment panel is 31.5"×46" and is screen printed by hand on 100% linen fabric with serged edges. Finished option comes with a bracket and 2 dowel rods for mounting.

Dimensions



Specification Information

Step 1.

EE A

Step 2. Form

529 finished A

Prices for Steps 1-2.

EE529

\$729

Environmental Enrichment Panel, Girls

EE501



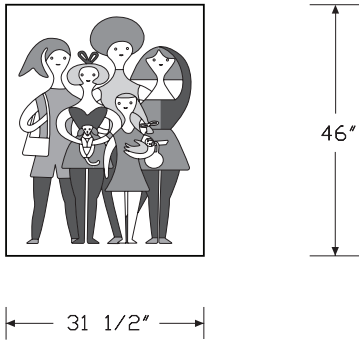
HermanMiller Ancillary-Accessories

Product Information

Description

This environmental enrichment panel is 31.5"×46" and is screen printed by hand on 100% linen fabric with serged edges. Finished option comes with a bracket and 2 dowel rods for mounting.

Dimensions



Specification Information

Step 1.

EE A

Step 2. Form

501 finished A

Prices for Steps 1-2.

EE501

\$1023

Environmental Enrichment
Panel, Hand & Dove

EE507

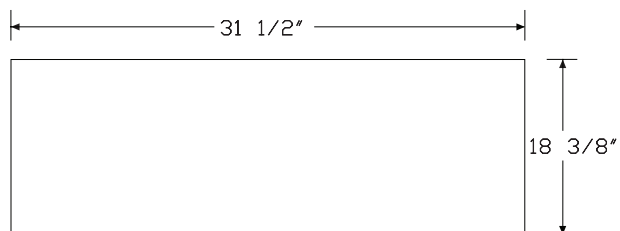


Product Information

Description

This environmental enrichment panel is 31.5"×18.35" and is screen printed by hand on 100% linen fabric with serged edges. Finished option comes with a bracket and 2 dowel rods for mounting.

Dimensions



Specification Information

Step 1.

EE A

Step 2. Form

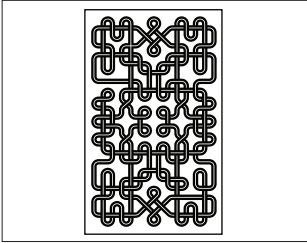
507 finished A

Prices for Steps 1-2.

EE507 \$729

Environmental Enrichment
Panel, Knot

EE532



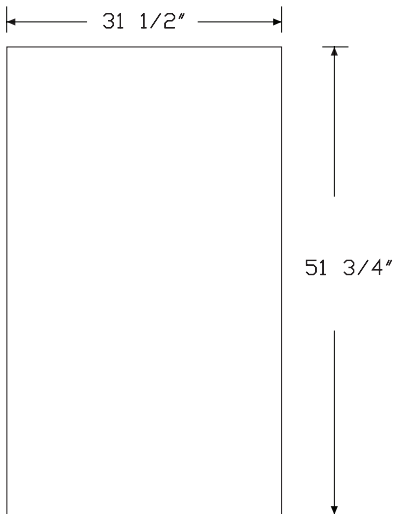
HermanMiller Ancillary—Accessories

Product Information

Description

This environmental enrichment panel is 31.5"×51.68" and is screen printed by hand on 100% linen fabric with serged edges. Finished option comes with a bracket and 2 dowel rods for mounting.

Dimensions



Specification Information

Step 1.

EE A

Step 2. Form

532 finished A

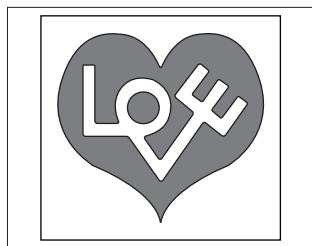
Prices for Steps 1-2.

EE532

\$793

Environmental Enrichment
Panel, Love Heart

EE517

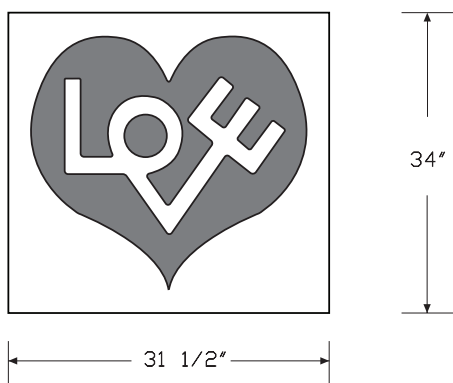


Product Information

Description

This environmental enrichment panel is 31.5"×34" and is screen printed by hand on 100% linen fabric with serged edges. Finished option comes with a bracket and 2 dowel rods for mounting.

Dimensions



Specification Information

Step 1.

EE A

Step 2. Form

517 finished A

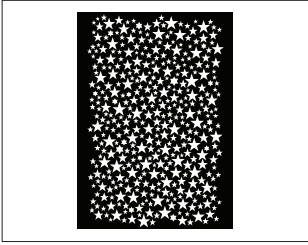
Prices for Steps 1-2.

EE517

\$696

Environmental Enrichment
Panel, Stars

EE513



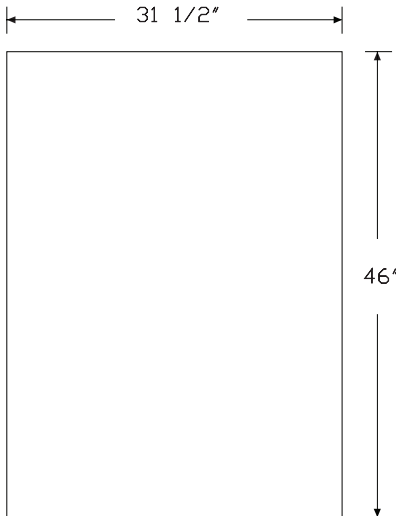
HermanMiller Ancillary—Accessories

Product Information

Description

This environmental enrichment panel is 31.5"×46" and is screen printed by hand on 100% linen fabric with serged edges. Finished option comes with a bracket and 2 dowel rods for mounting.

Dimensions



Specification Information

Step 1.

EE A

Step 2. Form

513 finished A

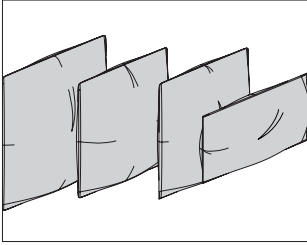
Prices for Steps 1-2.

EE513

\$729

Geiger Textile Pillow

PTA
PTB
PTC
PTD

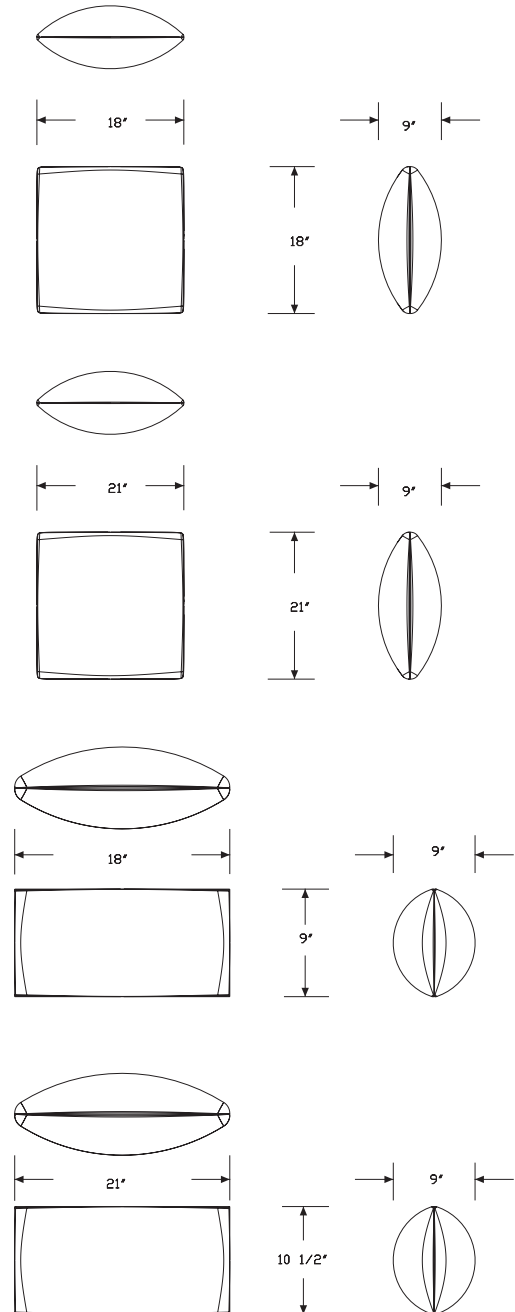


Product Information

Description

These pillows are available in 4 sizes. All pillows are filled with 95% duck feather and 5% duck down.

Dimensions



Geiger Textile Pillow *continued*

Specification Information

Step 1.

PT A

Step 2. Size

A 9" high x 18" long A

B 18" high x 18" long A

C 10.5" high x 21" long A

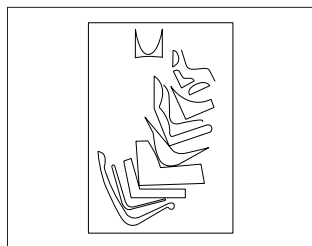
D 21" high x 21" long A

Prices for Steps 1-2.

PTA	\$203
PTB	\$243
PTC	\$216
PTD	\$304

Step 3. Fabric

Price Category (Geiger) 3	+\$37
Price Category (Geiger) 4	+\$46
Price Category (Geiger) 5	+\$66
Price Category (Geiger) 6	+\$86
Price Category (Geiger) 7	+\$107
Price Category (Geiger) 8	+\$162
Price Category (Geiger) 9	+\$202

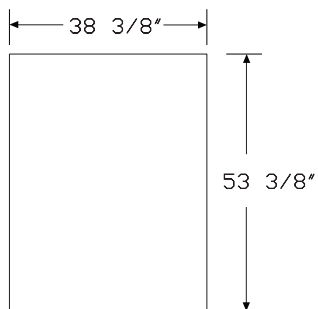


Product Information

Description

This limited edition reproduction of the Armin Hoffman poster is 35³/₈" x 50³/₈" framed in a 38³/₈" x 53³/₈" wood frame. Frame options are white, black or natural maple with glazed clear acrylic. Mounting hardware included.

Dimensions



Specification Information

Step 1.

HA-LEAH

Step 2. Option

A Armin Hoffman

Prices for Steps 1-2.

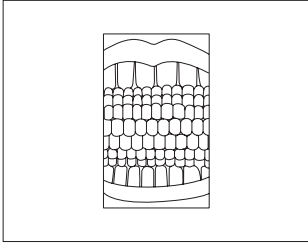
HA-LEAH A \$1741

Step 3. Wood Frame Option

91 white +\$0
BK black +\$0
UL natural maple +\$0

Sweet Corn Picnic Poster

HA-LE



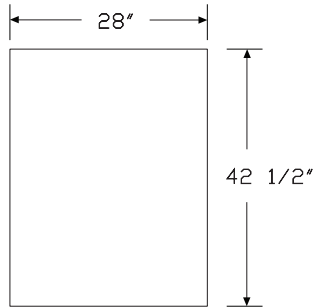
HermanMiller Ancillary-Accessories

Product Information

Description

This limited edition reproduction of the Sweet Corn Picnic Poster is 25" x 39 1/2" framed in a 28" x 42 1/2" wood frame. Frame options are white, black or natural maple with glazed clear acrylic. Mounting hardware included.

Dimensions



Specification Information

Step 1.

HA-LESC

Step 2. Option

A Sweet Corn Picnic Poster

Prices for Steps 1-2.

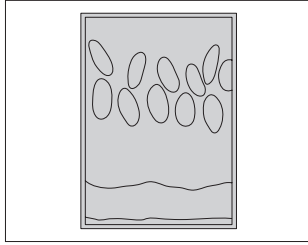
HA-LESC A \$1401

Step 3. Wood Frame Option

91	white	+\$0
BK	black	+\$0
UL	natural maple	+\$0

Watermelon Picnic Poster

HA-LE

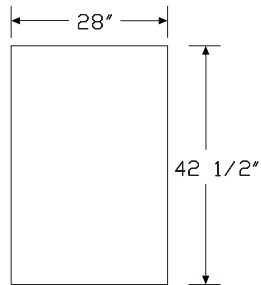


Product Information

Description

This limited edition reproduction of the Watermelon Picnic Poster is 25" x 39 1/2" framed in a 28" x 42 1/2" wood frame. Frame options are white, black or natural maple with glazed clear acrylic. Mounting hardware included.

Dimensions



Specification Information

Step 1.

HA-LEWM

Step 2. Option

A Watermelon Picnic Poster

Prices for Steps 1-2.

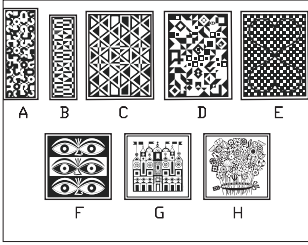
HA-LEWM A \$1401

Step 3. Wood Frame Option

91	white <input type="checkbox"/>	+\$0
BK	black <input type="checkbox"/>	+\$0
UL	natural maple <input type="checkbox"/>	+\$0

Girard® Environmental Enrichment Posters

HA-GI



HermanMiller Ancillary-Accessories

Product Information

Description

These posters are reproductions of Girard® archival environmental enrichment panels. Frame finish options are white, black, or natural maple wood with glazed clear acrylic. Mounting hardware included with framed artwork. Posters sold individually.

Notes

Individual poster dimensions are:

For framed (FF):

Poster	Height	Width
A	32"	14"
B	32"	12 ³ / ₄ "
C, D, E	32"	25 ¹ / ₄ "
F, G, H	24"	24"

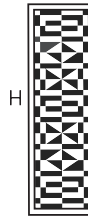
For unframed (UF):

Poster	Height	Width
A	29"	11"
B	29"	9 ³ / ₄ "
C, D, E	29"	22 ¹ / ₄ "
F, G, H	21"	21"

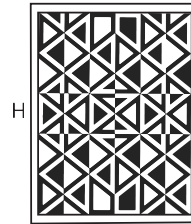
Dimensions



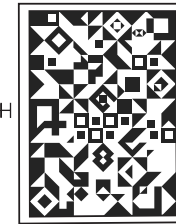
Circle Sections (A)



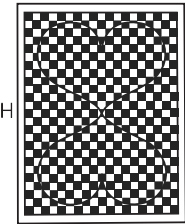
Geometric E (B)



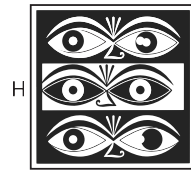
Geometric C (C)



Geometric D (D)



Double Heart (E)



Eyes (F)



Castle (G)



Bouquet (H)

Girard® Environmental
 Enrichment Posters *continued*

Specification Information

Step 1.

HA-GIR

Step 2. Poster Option

- A** Circle Sections
- B** Geometric E
- C** Geometric C
- D** Geometric D
- E** Double Heart
- F** Eyes
- G** Castle
- H** Bouquet

Step 3. Frame Option

- FF** framed
- UF** unframed

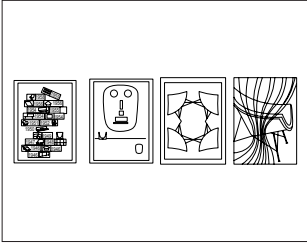
Prices for Steps 1-3.

	FF	UF
HA-GIR A	\$695	300
B	\$695	275
C	\$795	330
D	\$795	330
E	\$795	330
F	\$725	295
G	\$725	295
H	\$725	295

Step 4. Wood Frame Finish

For framed (FF)

BK black	+\$0
91 white	+\$0
UL natural maple	+\$0

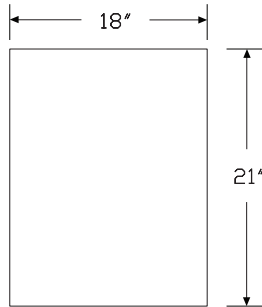


HermanMiller Ancillary—Accessories

Product Information

Description
 These poster reproductions of Nelson™ Ads are 10" × 13" framed in an 18" × 21" wood frame. Frame options are white, black or natural maple with glazed clear acrylic. Mounting hardware included.

Dimensions



Specification Information

Step 1.

HA-NEAD

Step 2. Option

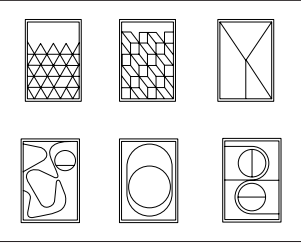
- A** Timeline Print
- B** Nelson Face Print
- C** Four Coconuts Print
- D** Coconut Chair Print

Prices for Steps 1-2.

HA-NEAD A	\$703
B	\$703
C	\$703
D	\$703

Step 3. Wood Frame Option

91 white	+\$0
BK black	+\$0
UL natural maple	+\$0

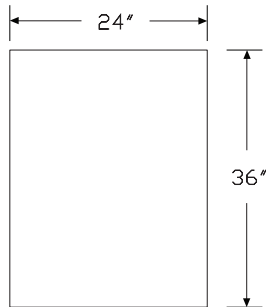


Product Information

Description

These poster reproductions of Nelson™ Pop Art Series prints are 21" × 33" framed in a 24" × 36" wood frame. Frame options are white, black or natural maple with glazed clear acrylic. Mounting hardware included.

Dimensions



Specification Information

Step 1.

HA-NPAS

Step 2. Poster Option

- A** Nelson Pop Art Purple Triangles
- B** Nelson Pop Art Rectangles
- C** Nelson Pop Art Four Color Block
- D** Nelson Pop Art Blue and Black
- E** Nelson Pop Art Blue Dot
- F** Nelson Pop Art Two Split Circles

Step 3. Frame Option

- FF** framed
- UF** unframed

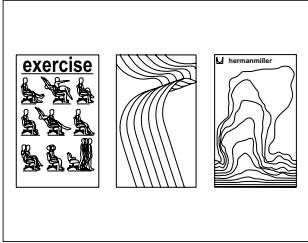
Prices for Steps 1-3.

	FF	UF
HA-NPAS A	\$762	375
B	\$762	375
C	\$762	375
D	\$762	375
E	\$762	375
F	\$762	375

Step 4. Wood Frame Finish

For framed (FF)

91	white	+\$0
BK	black	+\$0
UL	natural maple	+\$0



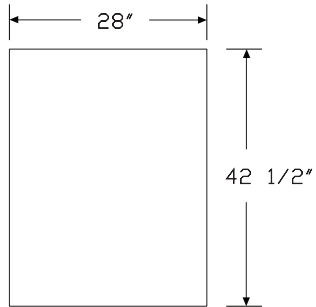
HermanMiller Ancillary—Accessories

Product Information

Description

These poster reproductions of Nelson™ Pop Art Individual prints are 25" × 39½" framed in a 28" × 42½" wood frame. Frame options are white, black or natural maple with glazed clear acrylic. Mounting hardware included.

Dimensions



Specification Information

Step 1.

HA-NPAV

Step 2. Poster Option

- A** Exercise Poster
- B** Rainbow Poster
- C** Organic Forms Poster

Step 3. Frame Option

- FF** framed
- UF** unframed

Prices for Steps 1-3.

	FF	UF
HA-NPAV A	\$1167	500
B	\$1167	500
C	\$1167	500

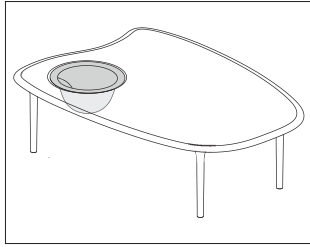
Step 4. Wood Frame Finish

For framed (FF)

91 white	+\$0
BK black	+\$0
UL natural maple	+\$0

Cyclade Glass Bowl

FE21



Product Information

Description

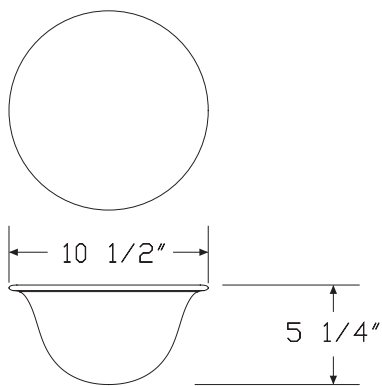
This glass bowl is an accessory to Cyclade tables. A cutout in the low top table is specifically designed to fit the bowl.

Notes

Bowl is clear glass.

Bowl cannot stand alone due to its rounded bottom.

Dimensions



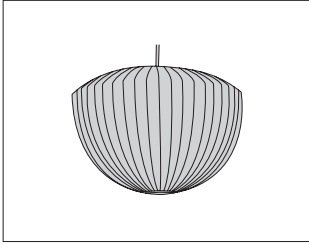
Specification Information

Step 1.

FE21 A

\$215

Nelson® Apple Bubble Pendant H766M



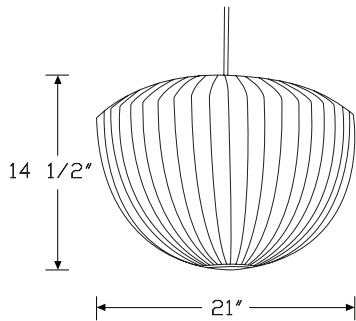
HermanMiller Ancillary—Lighting

Product Information

Description
 The Nelson® Apple Bubble Pendant comes with a 5 1/4" brushed, nickel-plated steel ceiling plate and a 10' or 20' cord. Bulb not included. 150W/120V. UL listed.

Notes
 UL rated for bulbs up to 150 watts.

Dimensions



Specification Information

Step 1.

H766

Step 2. Size

M medium

Step 3. Cord Length

10 10 feet

20 20 feet

Prices for Steps 1-3.

H766M 10 \$767

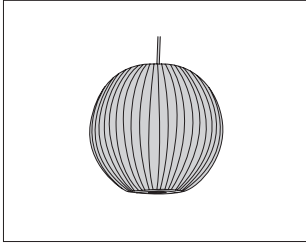
20 \$879

Step 4. Trim Finish

BNS brushed nickel +\$0

Nelson® Ball Bubble Pendant

H761L
H761M
H761S



Product Information

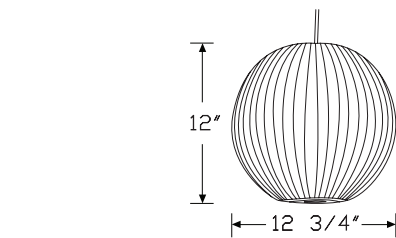
Description

The Nelson® Ball Bubble Pendant is available in 3 sizes. Each lamp comes with a 5 1/4" brushed, nickel-plated steel ceiling plate and a 10' or 20' cord. Bulb not included. 150W/120V. UL listed.

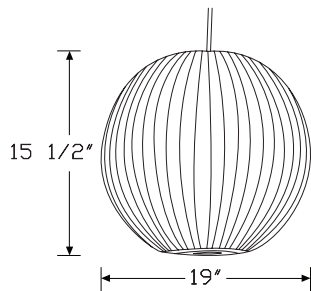
Notes

UL rated for bulbs up to 150 watts.

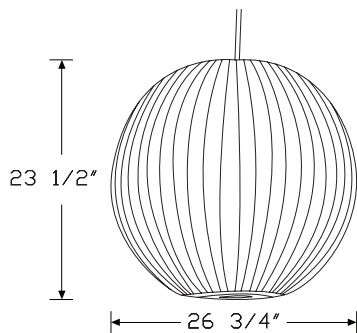
Dimensions



Small



Medium



Large

Specification Information

Step 1.

H761

Step 2. Size

- S** small
- M** medium
- L** large

Step 3. Cord Length

- 10** 10 feet
- 20** 20 feet

Prices for Steps 1-3.

H761S	10	\$615
	20	\$728
H761M	10	\$767
	20	\$879
H761L	10	\$867
	20	\$979

Step 4. Trim Finish

BNS	brushed nickel	+\$0
------------	----------------	------



HermanMiller Ancillary-Lighting

Product Information

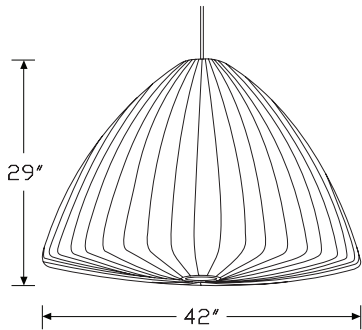
Description

The extra-large Nelson® Bell Bubble Pendant comes with a 5 1/4" brushed, nickel-plated steel ceiling plate and a 10' or 20' cord. Bulb not included. 150W/120V. UL listed.

Notes

UL rated for bulbs up to 150 watts.

Dimensions



Specification Information

Step 1.

BELL

Step 2. Size

XL x-large

Step 3. Cord Length

10 10 feet

Prices for Steps 1-3.

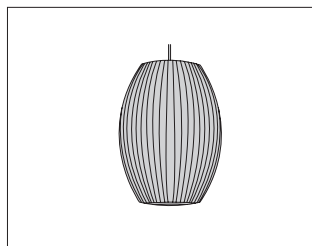
BELLXL 10 \$1825

Step 4. Trim Finish

BNS brushed nickel +\$0

Nelson® Cigar Bubble Pendant

H762L
H762M
H762S
H762X



Product Information

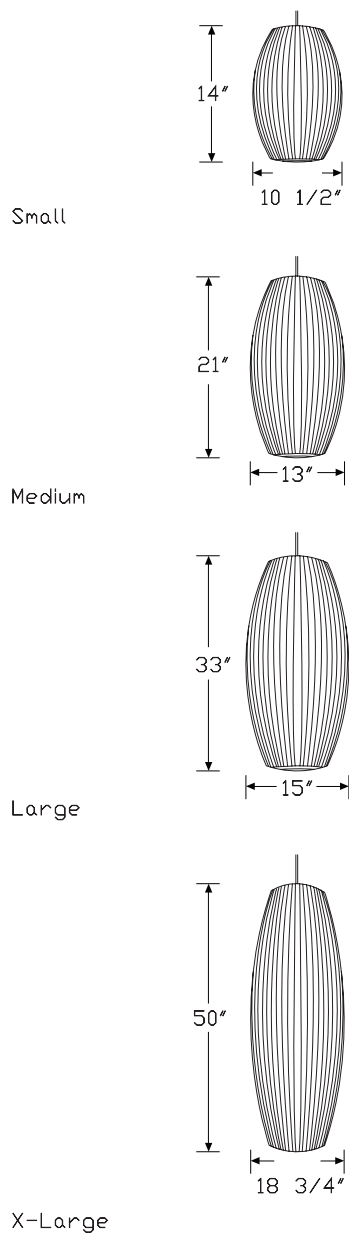
Description

The Nelson® Cigar Bubble Pendant is available in 4 sizes. Each lamp comes with a 5 1/4" brushed, nickel-plated steel ceiling plate and a 10' or 20' cord. Bulb not included. 150W/120V. UL listed.

Notes

UL rated for bulbs up to 150 watts.

Dimensions



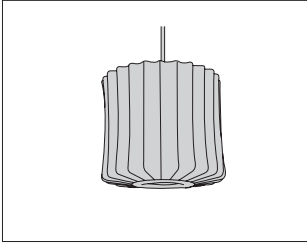
Nelson® Cigar Bubble Pendant

continued

HermanMiller Ancillary—Lighting

Specification Information		
Step 1.		
H762		
Step 2. Size		
S	small	
M	medium	
L	large	
XL	x-large	
Step 3. Cord Length		
<i>For small (S), medium (M), or large (L)</i>		
10	10 feet	
20	20 feet	
<i>For x-large (XL)</i>		
10	10 feet	
Prices for Steps 1-3.		
H762S	10	\$615
	20	\$728
H762M	10	\$767
	20	\$879
H762L	10	\$867
	20	\$979
H762XL	10	\$1825
Step 4. Trim Finish		
BNS	brushed nickel	+\$0

Nelson® Lantern Bubble Pendant H737S

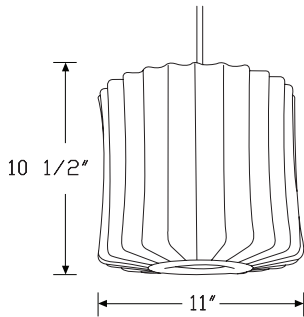


Product Information

Description
 The Nelson® Lantern Bubble Pendant comes with a 5 1/4" brushed, nickel-plated steel ceiling plate and a 10' or 20' cord. Bulb not included. 150W/120V. UL listed.

Notes
 UL rated for bulbs up to 150 watts.

Dimensions



Specification Information

Step 1.

H737

Step 2. Size

S small

Step 3. Cord Length

10 10 feet

20 20 feet

Prices for Steps 1-3.

H737S 10 \$615

20 \$728

Step 4. Trim Finish

BNS brushed nickel +\$0

Nelson® Pear Bubble Pendant

H770M
H770S



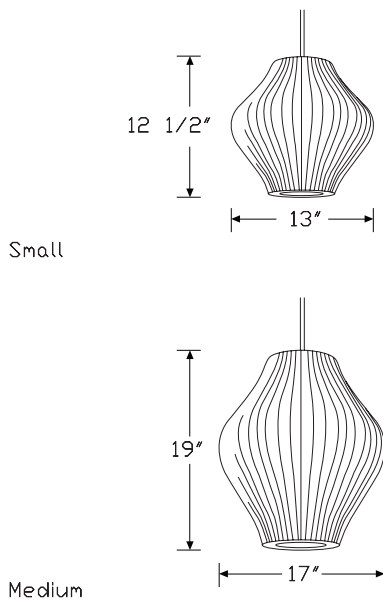
HermanMiller Ancillary—Lighting

Product Information

Description
The Nelson® Pear Bubble Pendant is available in 2 sizes. Each lamp comes with a 5 1/4" brushed, nickel-plated steel ceiling plate and a 10' or 20' cord. Bulb not included. 150W/120V. UL listed.

Notes
UL rated for bulbs up to 150 watts.

Dimensions



Specification Information

Step 1.

H770

Step 2. Size

S small
M medium

Step 3. Cord Length

10 10 feet
20 20 feet

Prices for Steps 1-3.

H770S	10	\$615
	20	\$728

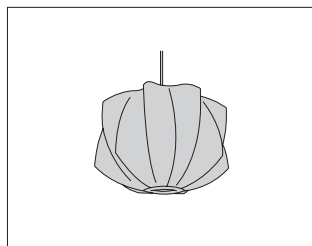
H770M	10	\$767
	20	\$879

Step 4. Trim Finish

BNS brushed nickel +\$0

Nelson® Propeller Bubble
Pendant

PROP1
PROP2



Product Information

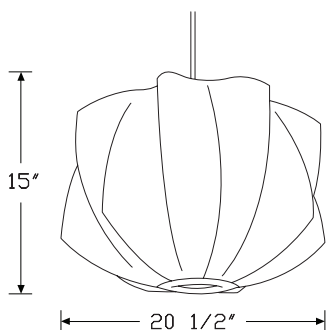
Description

The Nelson® Propeller Bubble Pendant comes with a 5 1/4" brushed, nickel-plated steel ceiling plate and a 10' or 20' cord. Bulb not included. 150W/120V. UL listed.

Notes

UL rated for bulbs up to 150 watts.

Dimensions



Specification Information

Step 1.

PROP

Step 2. Cord Length

10 10 feet

20 20 feet

Prices for Steps 1-2.

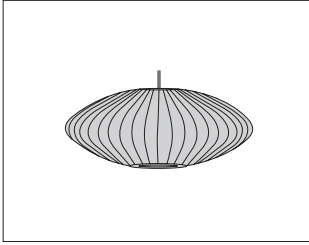
PROP10 \$767

PROP20 \$879

Step 3. Trim Finish

BNS brushed nickel +\$0

Nelson® Saucer Bubble Pendant H763L
 H763M
 H763S
 H763X



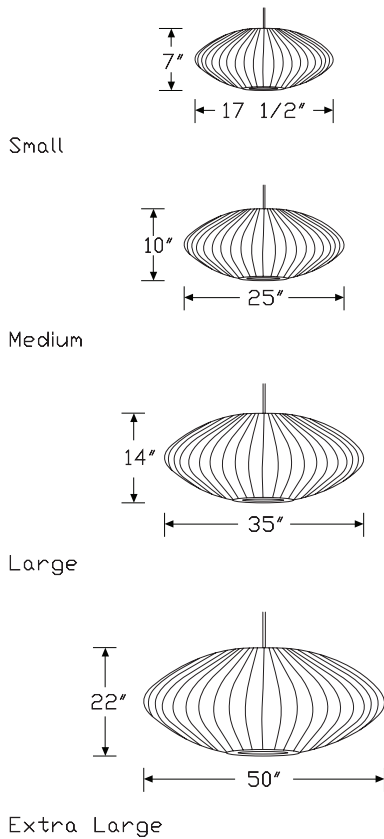
HermanMiller Ancillary—Lighting

Product Information

Description
 The Nelson® Saucer Bubble Pendant is available in 4 sizes. Each lamp comes with a 5 1/4" brushed, nickel-plated steel ceiling plate and a 10' or 20' cord. The extra-large lamp is only available with a 10' cord. Bulb not included. 150W/120V for medium, large and extra-large saucers; 60W/120V for small saucers. UL listed.

Notes
 UL rated for bulbs up to 150 watts; small saucer 60W/120V and UL rated for bulbs up to 60 watts.

Dimensions



Specification Information

Step 1.

H763

Step 2. Size

- S** small
- M** medium
- L** large
- XL** x-large

Step 3. Cord Length

For small (S), medium (M), or large (L)

- 10** 10 feet
- 20** 20 feet

For x-large (XL)

- 10** 10 feet

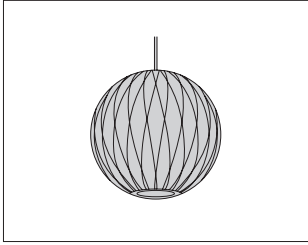
Prices for Steps 1-3.

H763S	10	\$615
	20	\$728
H763M	10	\$767
	20	\$879
H763L	10	\$867
	20	\$979
H763XL	10	\$1825

Step 4. Trim Finish

- BNS** brushed nickel +\$0

Nelson® Ball Crisscross Bubble Pendant H761C



Product Information

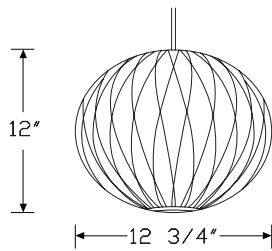
Description

The Nelson® Ball Crisscross Bubble Pendant is available in 2 sizes. Each lamp comes with a 5 1/4" brushed, nickel-plated steel ceiling plate and a 10' or 20' cord. Bulb not included. 150W/120V. UL listed.

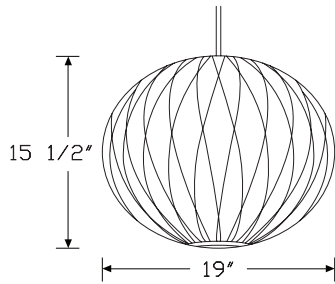
Notes

UL rated for bulbs up to 150 watts.

Dimensions



Small



Medium

Specification Information

Step 1.

H761CC

Step 2. Size

- S** small
- M** medium

Step 3. Cord Length

- 10** 10 feet
- 20** 20 feet

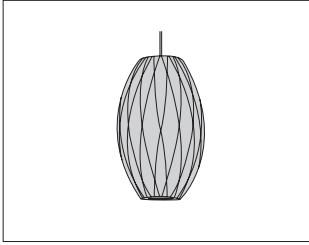
Prices for Steps 1-3.

	10	20
H761CC S	\$615	728
M	\$767	879

Step 4. Trim Finish

BNS brushed nickel		+\$0
---------------------------	--	------

Nelson® Cigar Crisscross Bubble Pendant H762C



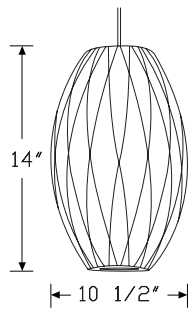
HermanMiller Ancillary-Lighting

Product Information

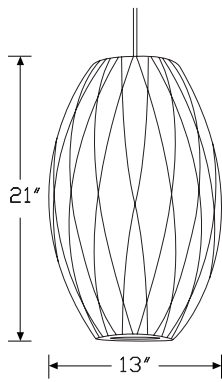
Description
 The Nelson® Cigar Crisscross Bubble Pendant is available in 2 sizes. Each lamp comes with a 5 1/4" brushed, nickel-plated steel ceiling plate and a 10' or 20' cord. Bulb not included. 150W/120V. UL listed.

Notes
 UL rated for bulbs up to 150 watts.

Dimensions



Small



Medium

Specification Information

Step 1.
H762CC

Step 2. Size
S small
M medium

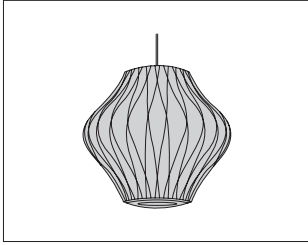
Step 3. Cord Length
10 10 feet
20 20 feet

Prices for Steps 1-3.

	10	20
H762CC S	\$615	728
M	\$767	879

Step 4. Trim Finish
BNS brushed nickel +\$0

Nelson® Pear Crisscross Bubble Pendant H770C



Product Information

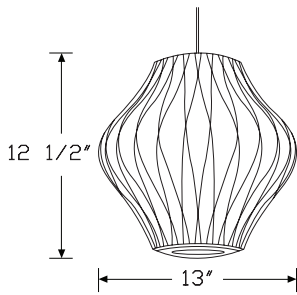
Description

The Nelson® Pear Crisscross Bubble Pendant is available in 2 sizes. Each lamp comes with a 5 1/4" brushed, nickel-plated steel ceiling plate and a 10' or 20' cord. Bulb not included. 150W/120V. UL listed.

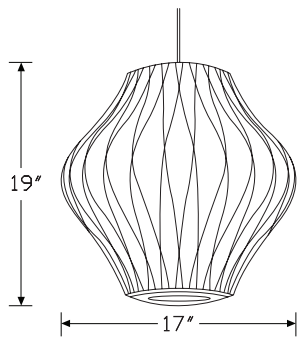
Notes

UL rated for bulbs up to 150 watts.

Dimensions



Small



Medium

Specification Information

Step 1.

H770CC

Step 2. Size

- S** small
- M** medium

Step 3. Cord Length

- 10** 10 feet
- 20** 20 feet

Prices for Steps 1-3.

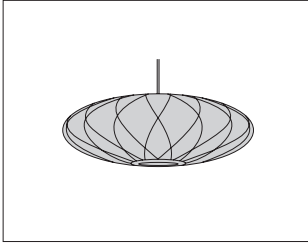
	10	20
H770CC S	\$615	728
M	\$767	879

Step 4. Trim Finish

BNS brushed nickel		+\$0
---------------------------	--	------

Nelson® Saucer Crisscross
Bubble Pendant

H763C



HermanMiller Ancillary—Lighting

Product Information

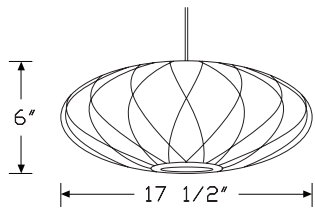
Description

The Nelson® Saucer Crisscross Bubble Pendant is available in 2 sizes. Each lamp comes with a 5 1/4" brushed, nickel-plated steel ceiling plate and a 10' or 20' cord. Bulb not included. 150W/120V for medium saucers; 60W/120V for small saucers. UL listed.

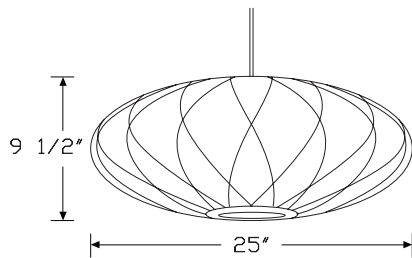
Notes

UL rated for bulbs up to 150 watts; small saucer 60W/120V and UL rated for bulbs up to 60 watts.

Dimensions



Small



Medium

Specification Information

Step 1.

H763CC

Step 2. Size

- S** small
- M** medium

Step 3. Cord Length

- 10** 10 feet
- 20** 20 feet

Prices for Steps 1-3.

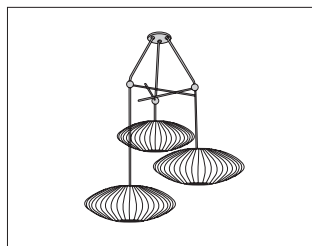
	10	20
H763CC S	\$615	728
M	\$767	879

Step 4. Trim Finish

BNS brushed nickel	+\$0
---------------------------	------

Nelson® Triple Bubble Lamp Fixture

B-3-7



Product Information

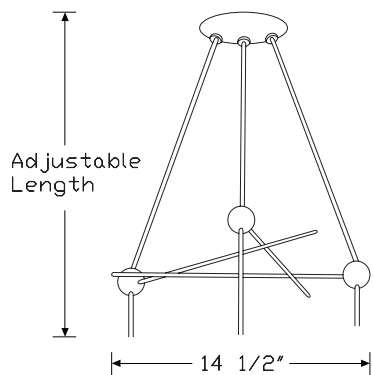
Description

This lamp fixture comes with a 5¹/₄" brushed, nickel-plated steel ceiling plate for mounting and metal rods with walnut spheres spaced 14¹/₂" apart. Nelson® Bubble lamps with cord are sold separately.

Notes

For use with this fixture, Bubble Lamp pendants should be 19" in diameter or smaller.

Dimensions



Specification Information

Step 1.

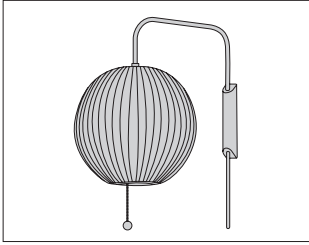
B-3-740

\$451

Step 2. Finish

BNS brushed nickel

+\$0



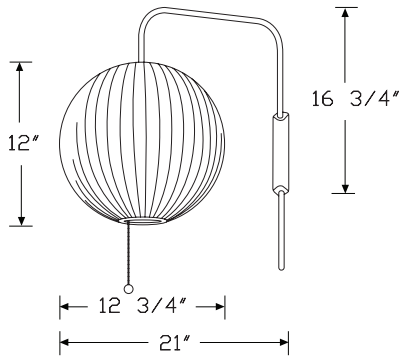
HermanMiller Ancillary—Lighting

Product Information

Description
 The Nelson® Ball Wall Sconce has a 2"-thick solid walnut wall mount and a brushed-nickel steel arm that extends out approximately 14". The arm has a swivel hinge and an adjustable 12' plug-in cord with a counterweight that allows for height adjustments. The sconce swivels left-to-right and adjusts vertically without changing its wall-mount position. Ships with bulb included. 150W/120V. UL listed.

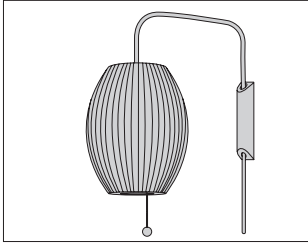
Notes
 UL rated for bulbs up to 150 watts.

Dimensions



Specification Information

Step 1.	
H761SC	\$793
Step 2. Bracket Finish	
WAL walnut	+\$0
Step 3. Arm Finish	
BNS brushed nickel	+\$0



Product Information

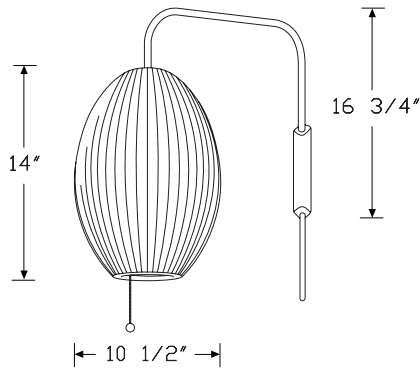
Description

The Nelson® Cigar Wall Sconce has a 2"-thick solid walnut wall mount and a brushed-nickel steel arm that extends out approximately 14". The arm has a swivel hinge and an adjustable 12' plug-in cord with a counterweight that allows for height adjustments. The sconce swivels left-to-right and adjusts vertically without changing its wall-mount position. Ships with bulb included. 150W/120V. UL listed.

Notes

UL rated for bulbs up to 150 watts.

Dimensions



Specification Information

Step 1.

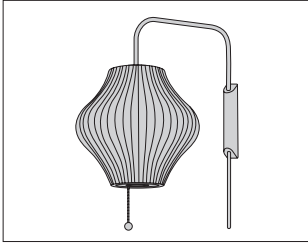
H762SC \$793

Step 2. Bracket Finish

WAL walnut +\$0

Step 3. Arm Finish

BNS brushed nickel +\$0



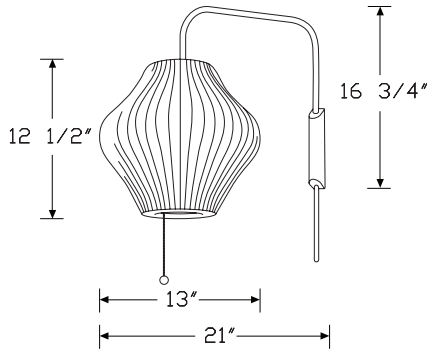
HermanMiller Ancillary—Lighting

Product Information

Description
 The Nelson® Pear Wall Sconce has a 2"-thick solid walnut wall mount and a brushed-nickel steel arm that extends out approximately 14". The arm has a swivel hinge and an adjustable 12' plug-in cord with a counterweight that allows for height adjustments. The sconce swivels left-to-right and adjusts vertically without changing its wall-mount position. Ships with bulb included. 150W/120V. UL listed.

Notes
 UL rated for bulbs up to 150 watts.

Dimensions



Specification Information

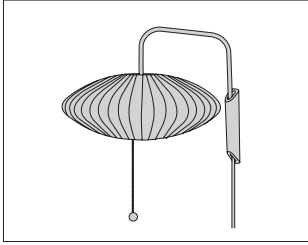
Step 1.
H770SC \$793

Step 2. Bracket Finish
WAL walnut +\$0

Step 3. Arm Finish
BNS brushed nickel +\$0

Nelson® Saucer Wall Sconce

H763S



Product Information

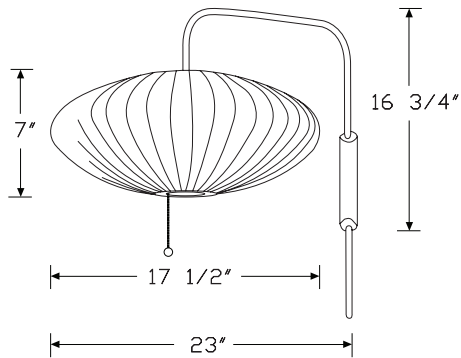
Description

The Nelson® Saucer Wall Sconce has a 2"-thick solid walnut wall mount and a brushed-nickel steel arm that extends out approximately 14". The arm has a swivel hinge and an adjustable 12' plug-in cord with a counterweight that allows for height adjustments. The sconce swivels left-to-right and adjusts vertically without changing its wall-mount position. Ships with bulb included. 60W/120V. UL listed.

Notes

UL rated for bulbs up to 60 watts.

Dimensions



Specification Information

Step 1.

H763SC \$793

Step 2. Bracket Finish

WAL walnut +\$0

Step 3. Arm Finish

BNS brushed nickel +\$0

HermanMiller Ancillary-Lighting

Nelson® Ball Lotus Table Lamp H761L

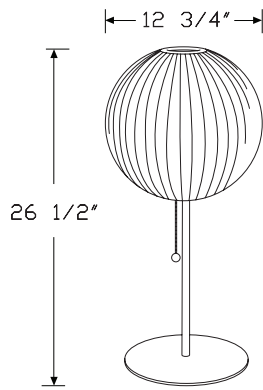


HermanMiller Ancillary—Lighting

Product Information

Description
 The Nelson® Ball Lotus Table Lamp has an 8"-diameter brushed nickel-plated steel base available with or without a walnut cover. The lamp has an on/off pull chain with a solid walnut end. Cord is 86" long. 150W/120V. Ships with bulb included.

Dimensions



Specification Information

Step 1.

H761LT A

Step 2. Size

S small A

Prices for Steps 1-2.

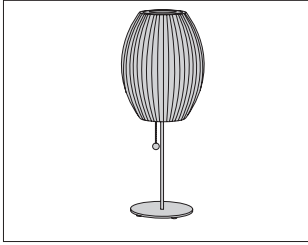
H761LT S \$750

Step 3. Base Finish

BNS brushed nickel A +\$0

WAL walnut A +\$100

Nelson® Cigar Lotus Table Lamp H762L

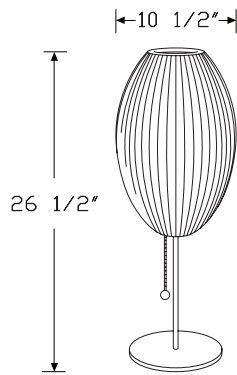


Product Information

Description

The Nelson® Cigar Lotus Table Lamp has an 8"-diameter brushed nickel-plated steel base available with or without a walnut cover. The lamp has an on/off pull chain with a solid walnut end. Cord is 86" long. 150W/120V. Ships with bulb included.

Dimensions



Specification Information

Step 1.

H762LT

Step 2. Size

S small

Prices for Steps 1-2.

H762LT S \$750

Step 3. Base Finish

BNS brushed nickel +\$0

WAL walnut +\$100

Nelson® Pear Lotus Table Lamp H770L

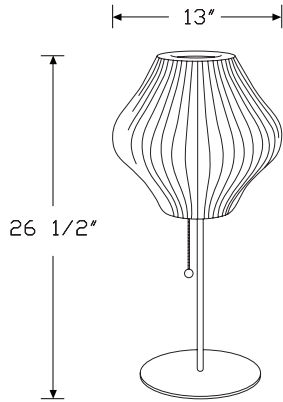


HermanMiller Ancillary-Lighting

Product Information

Description
 The Nelson® Pear Lotus Table Lamp has an 8"-diameter brushed nickel-plated steel base available with or without a walnut cover. The lamp has an on/off pull chain with a solid walnut end. Cord is 86" long. 150W/120V. Ships with bulb included.

Dimensions



Specification Information

Step 1.

H770LT A

Step 2. Size

S small A

Prices for Steps 1-2.

H770LT S \$750

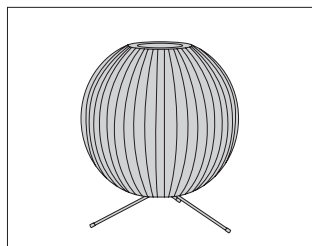
Step 3. Base Finish

BNS brushed nickel A +\$0

WAL walnut A +\$100

Nelson® Ball Tripod Lamp

H761T



Product Information

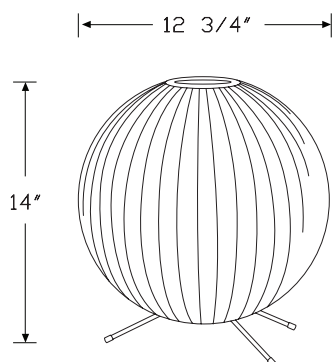
Description

The Nelson® Ball Tripod Lamp has a durable, brushed nickel-plated steel stand, an on/off switch, and a 90" cord. Ships with bulb included. 150W/120V. UL listed.

Notes

UL rated for bulbs up to 150 watts.

Dimensions



Specification Information

Step 1.

H761T

Step 2. Size

S small

Prices for Steps 1-2.

H761T S \$683

Step 3. Base Finish

BNS brushed nickel +\$0

Nelson® Cigar Tripod Lamp

H762T



HermanMiller Ancillary—Lighting

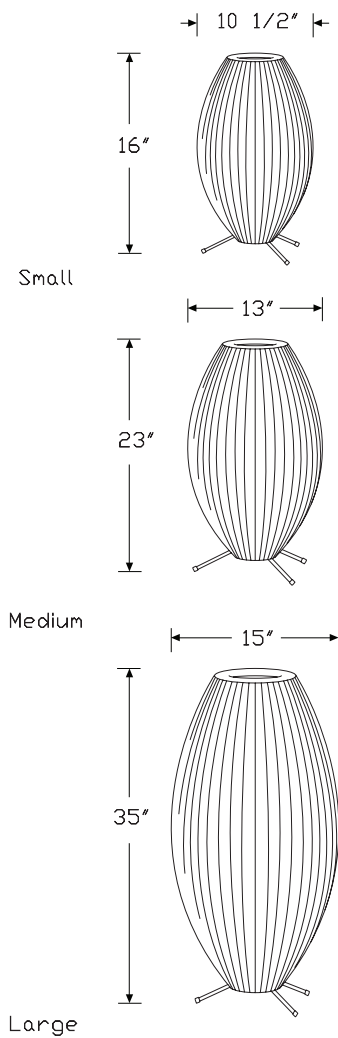
Product Information

Description
 The Nelson® Cigar Tripod Lamp is available in 3 sizes. It has a durable, brushed nickel-plated steel stand, an on/off switch, and a 90" cord. Ships with bulb included. 150W/120V. UL listed.

Notes

UL rated for bulbs up to 150 watts.

Dimensions



Specification Information

Step 1.

H762T

Step 2. Size

- S** small
- M** medium
- L** large

Prices for Steps 1-2.

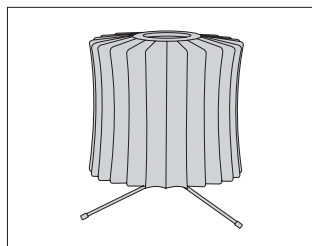
H762T S	\$683
M	\$835
L	\$941

Step 3. Base Finish

BNS brushed nickel	+\$0
---------------------------	------

Nelson® Lantern Tripod Lamp

H737T



Product Information

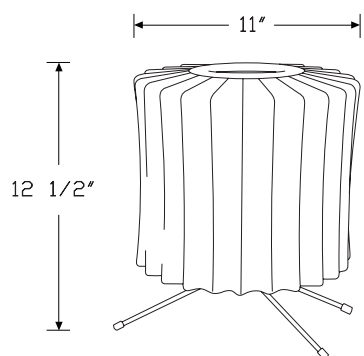
Description

The Nelson® Lantern Tripod Lamp has a durable, brushed nickel-plated steel stand, an on/off switch, and a 90" cord. Ships with bulb included. 150W/120V. UL listed.

Notes

UL rated for bulbs up to 150 watts.

Dimensions



Specification Information

Step 1.

H737T

Step 2. Size

S small

Prices for Steps 1-2.

H737T S \$683

Step 3. Base Finish

BNS brushed nickel +\$0

Nelson® Pear Tripod Lamp

H770T



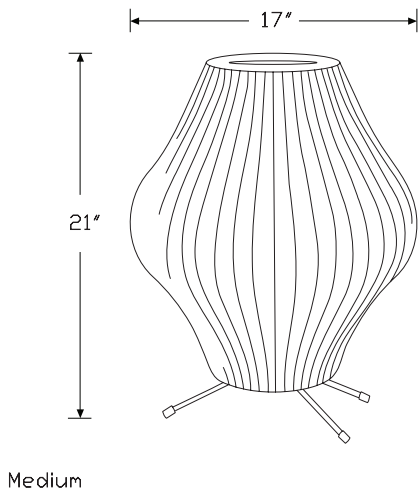
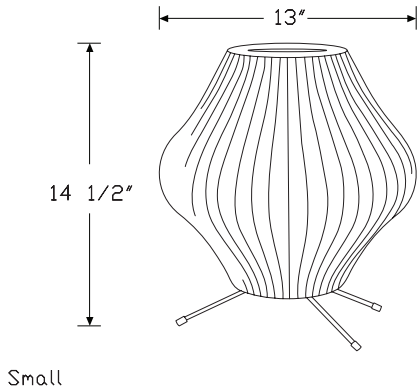
HermanMiller Ancillary-Lighting

Product Information

Description
 The Nelson® Pear Tripod Lamp is available in 2 sizes. It has a durable, brushed nickel-plated steel stand, an on/off switch, and a 90" cord. Ships with bulb included. 150W/120V. UL listed.

Notes
 UL rated for bulbs up to 150 watts.

Dimensions



Specification Information

Step 1.

H770T

Step 2. Size

- S** small
- M** medium

Prices for Steps 1-2.

H770T S	\$683
M	\$835

Step 3. Base Finish

BNS brushed nickel	+\$0
---------------------------	------

Nelson® Cigar Lotus Floor Lamp H762L

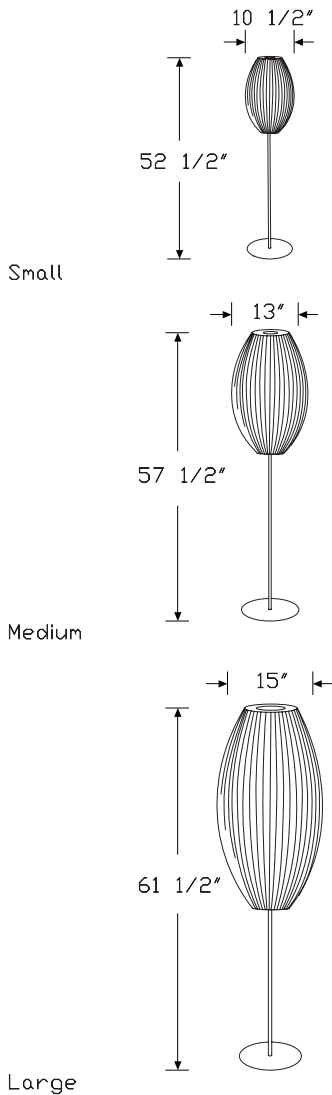


Product Information

Description

The Nelson® Cigar Lotus Floor Lamp is available in 3 sizes. It has a 10"-diameter brushed nickel-plated steel stand with a 6½-pound base for stability, available with or without a walnut cover. The lamp has an on/off floor switch and a 9' cord. Ships with bulb included. 150W/120V.

Dimensions



Specification Information

Step 1.

H762LF

Step 2. Size

- S** small
- M** medium
- L** large

Prices for Steps 1-2.

H762LF S	\$867
M	\$1036
L	\$1133

Step 3. Base Finish

For small (S)

BNS brushed nickel <input type="checkbox"/>	+\$0
WAL walnut <input type="checkbox"/>	+\$100

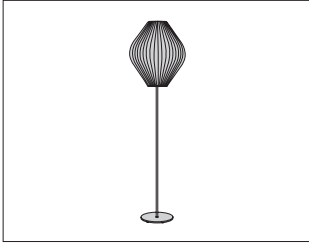
For medium (M)

BNS brushed nickel <input type="checkbox"/>	+\$0
WAL walnut <input type="checkbox"/>	+\$100

For large (L)

BNS brushed nickel <input type="checkbox"/>	+\$0
WAL walnut <input type="checkbox"/>	+\$100

Nelson® Pear Lotus Floor Lamp H770L

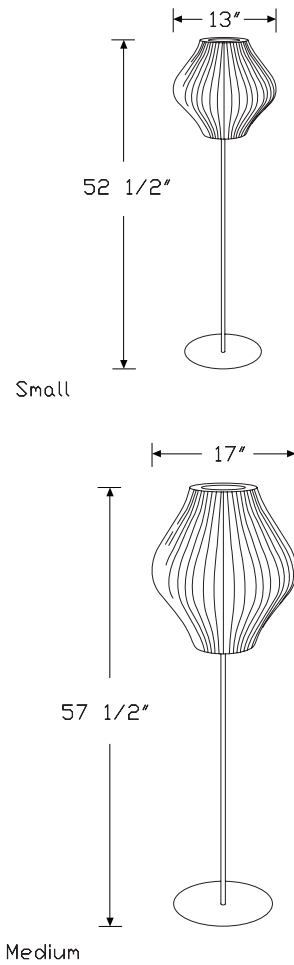


HermanMiller Ancillary—Lighting

Product Information

Description
 The Nelson® Pear Lotus Floor Lamp is available in 2 sizes. It has a 10"-diameter brushed nickel-plated steel stand with a 6½-pound base for stability, available with or without a walnut cover. Base is brushed nickel and comes with or without a walnut cover. The lamp has an on/off floor switch and a 9' cord. Ships with bulb included. 150W/120V.

Dimensions



Specification Information

Step 1.

H770LF A

Step 2. Size

S small A

M medium A

Prices for Steps 1-2.

H770LF S	\$867
M	\$1036

Step 3. Base Finish

For small (S)

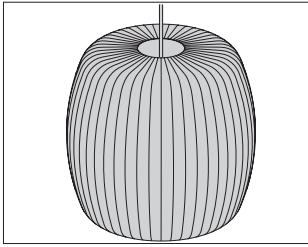
BNS brushed nickel <input type="checkbox"/> A	+\$0
WAL walnut <input type="checkbox"/> A	+\$100

For medium (M)

BNS brushed nickel <input type="checkbox"/> A	+\$0
WAL walnut <input type="checkbox"/> A	+\$100

Nelson® Roll Bubble Pendant

H764M



Product Information

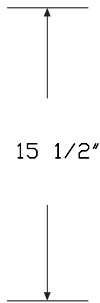
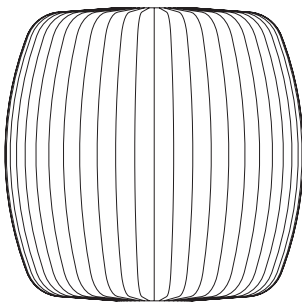
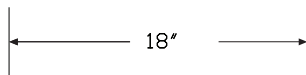
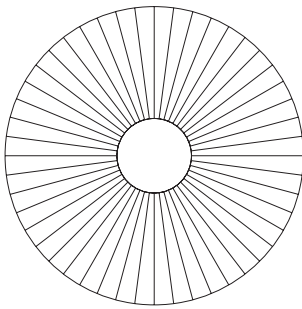
Description

The Nelson® Roll Bubble Pendant comes with a 5 1/4" brushed, nickel-plated steel ceiling plate and a 10' or 20' cord. Bulb not included. 150W/120V. UL listed.

Notes

UL rated for bulbs up to 150 watts.

Dimensions



Specification Information

Step 1.

H764

Step 2. Size

M medium

Step 3. Cord Length

10 10 feet

20 20 feet

Prices for Steps 1-3.

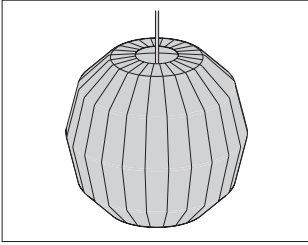
H764M 10	\$767
20	\$879

Step 4. Trim Finish

BNS brushed nickel +\$0

HermanMiller Ancillary-Lighting

Nelson® Angled Bubble Pendant H769L
 H769M
 H769S



Product Information

Description

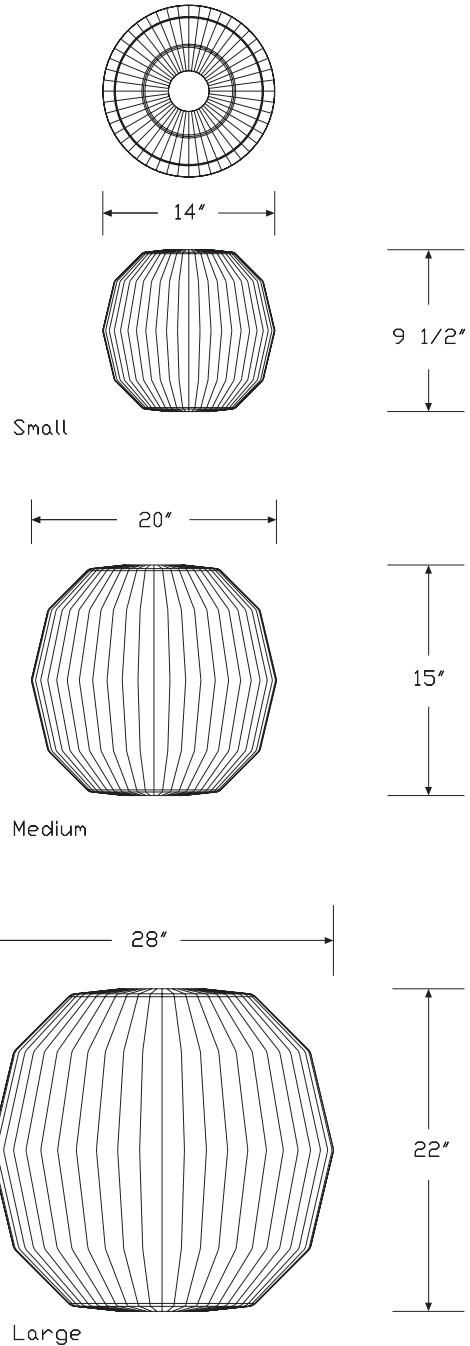
The Nelson® Angled Sphere Bubble Pendant is available in 3 sizes. Each lamp comes with a 5 1/4" brushed, nickel-plated steel ceiling plate and a 10' or 20' cord. Bulb not included. 150W/120V. UL listed.

Notes

UL rated for bulbs up to 150 watts.

HermanMiller Ancillary—Lighting

Dimensions



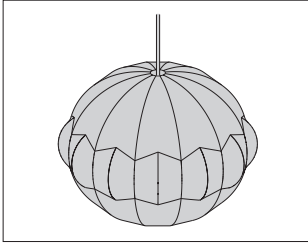
Nelson® Angled Bubble Pendant

continued

Specification Information		
Step 1.		
H769		
Step 2. Size		
S	small	
M	medium	
L	large	
Step 3. Cord Length		
10	10 feet	
20	20 feet	
Prices for Steps 1-3.		
H769S	10	\$615
	20	\$728
H769M	10	\$767
	20	\$879
H769L	10	\$867
	20	\$979
Step 4. Trim Finish		
BNS	brushed nickel	+\$0

Nelson® Orbit Bubble Pendant

H771M
H771S



HermanMiller Ancillary—Lighting

Product Information

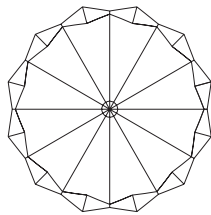
Description

The Nelson® Orbit Bubble Pendant is available in 2 sizes. Each lamp comes with a 5 1/4" brushed, nickel-plated steel ceiling plate and a 10' or 20' cord. Bulb not included. 150W/120V. UL listed.

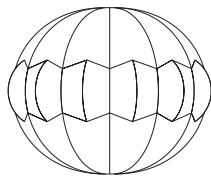
Notes

UL rated for bulbs up to 150 watts.

Dimensions



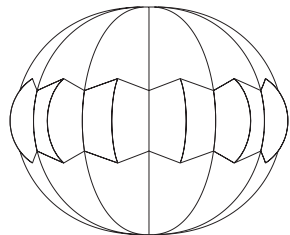
14"



Small

9,5"

20"



Medium

16"

Specification Information

Step 1.

H771

Step 2. Size

- S** small
- M** medium

Step 3. Cord Length

- 10** 10 feet
- 20** 20 feet

Prices for Steps 1-3.

H771S	10	\$615
	20	\$728

H771M	10	\$767
	20	\$879

Step 4. Trim Finish

BNS	brushed nickel	+\$0
------------	----------------	------

HermanMiller Ancillary Outdoor Furniture

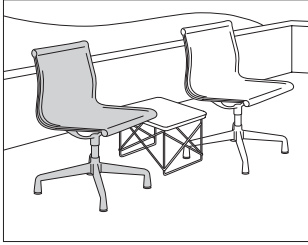
Seating

Tables



Eames® Aluminum Group Side
Chair Outdoor

EA506
EA508

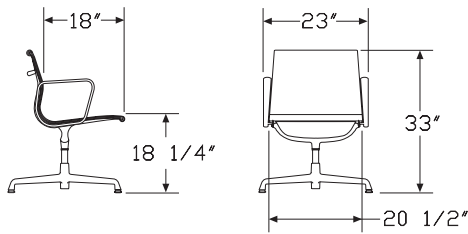


Product Information

Description

This outdoor low back side chair has a lightweight aluminum frame and suspended mesh upholstery. It has a 4-star base with adjustable glides. The chair is available with or without arms.

Dimensions



Specification Information

Step 1.

EA50 A

Step 2. Arms

6 no arms A

8 arms A

Step 3. Swivel

S swivel base A

F fixed base, no swivel A

Prices for Steps 1-3.

EA506 S \$1761
F \$1871

EA508 S \$2327
F \$2441

Step 4. Base/Frame Finish

BK black A +\$91

91 white A +\$91

Step 5. Fabric

Price Category 6 +\$222

Eames® Wire Chair Outdoor

DKQR.
DKQX.



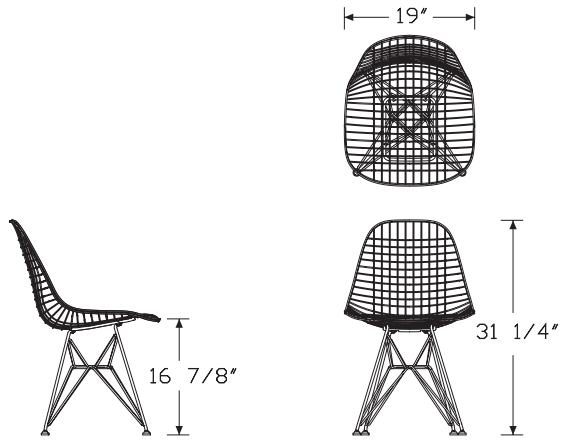
HermanMiller Ancillary—Outdoor Seating

Product Information

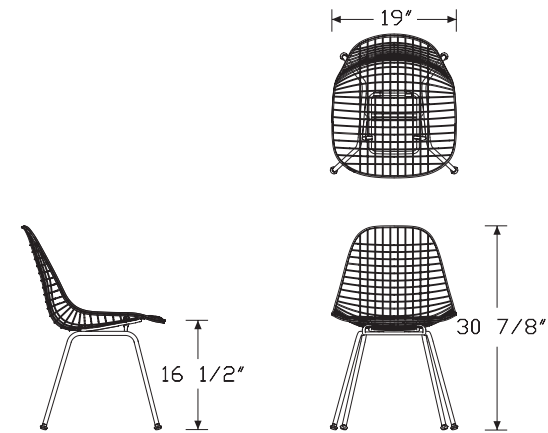
Description

This outdoor chair has a wire shell with wire base or 4-leg base. Finish is white or black. Chair comes with standard outdoor glides.

Dimensions



Wire Base



4-Leg Base

Specification Information

Step 1.

DKQ

Step 2. Base

R.0 wire base

X.0 4 leg base

Prices for Steps 1-2.

DKQR.0 \$1229

DKQX.0 \$1181

Step 3. Seat Frame/Leg Finish

91 white +\$0

BK black +\$0

Step 4. Glide Option

E8 standard glide +\$0

Eames® Wire Stool Outdoor

DKHQBX
DKHQCX

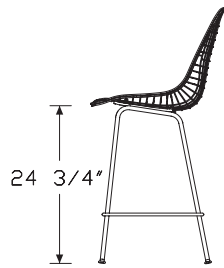
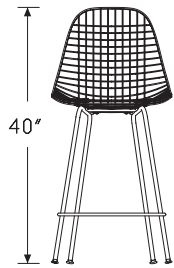
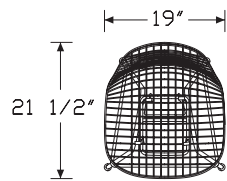


Product Information

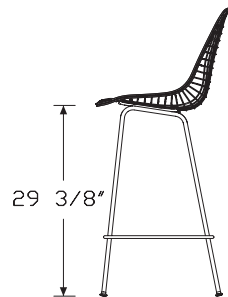
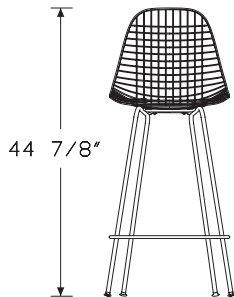
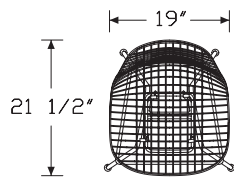
Description

This outdoor stool has a wire shell and is available in bar height or counter height. Finish is white or black. Stool comes with standard outdoor glides.

Dimensions



Counter Height



Bar Height

Specification Information

Step 1.

DKHQ

Step 2. Base Height

BX. bar height stool

CX. counter height stool

Prices for Steps 1-2.

DKHQBX. \$1568

DKHQCX. \$1542

Step 3. Seat Frame/Leg Finish

91 white +\$0

BK black +\$0

Step 4. Glide Option

E8 standard glide +\$0

Eames® Aluminum Group Lounge Chair Outdoor EA516



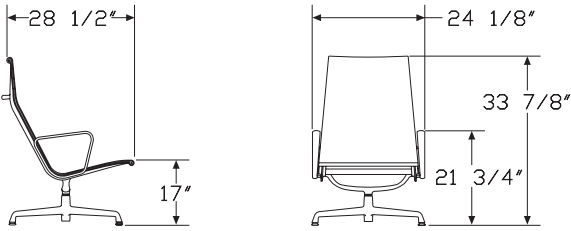
HermanMiller Ancillary—Outdoor Seating

Product Information

Description

This outdoor lounge chair has a lightweight aluminum frame and suspended mesh upholstery. It has a 4-star swiveling base with adjustable glides.

Dimensions



Specification Information

Step 1.

EA516 [A] \$2695

Step 2. Base/Frame Finish

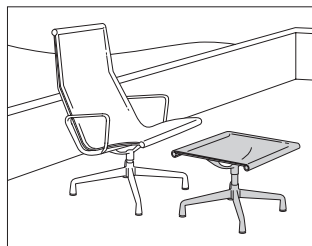
BK black [A] +\$140
91 white [A] +\$140

Step 3. Fabric

Price Category 6 +\$293

Eames® Aluminum Group
Ottoman Outdoor

EA523

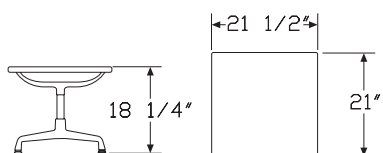


Product Information

Description

This outdoor ottoman has a lightweight aluminum frame and suspended mesh upholstery. It has a 4-star base with adjustable glides.

Dimensions



Specification Information

Step 1.

EA523 A \$1294

Step 2. Base/Frame Finish

BK black A +\$72

91 white A +\$72

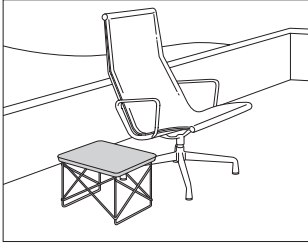
Step 3. Fabric

Price Category 6 +\$155

HermanMiller Ancillary—Outdoor Seating

Eames® Wire Base Low Table Outdoor

LTRT.



HermanMiller Ancillary-Outdoor Tables

Product Information

Description

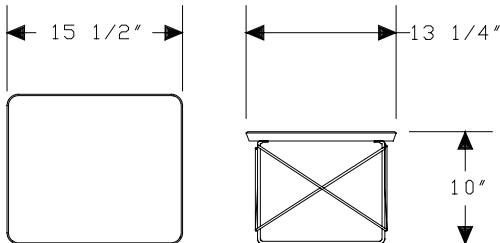
This outdoor table has a 3/4" thick stone top or a thin profile HPL top. The base is powder-coated wire.

Notes

Stone has a honed finish and knife edge profile.

Natural characteristics in stone cause variations in hues, veins, crystals, and distinctive marks. These variations and subtle changes seen as the stone ages are values associated with natural materials. No two tabletops are identically the same; variations in both color and veining are to be expected. Over time the stone may fade in color, staining of the surface may appear, and surface cracks-if not already visible at time of purchase-may appear. Small cracks do not affect the structure of the tabletop.

Dimensions



Specification Information

Step 1.

LTRT.5 A

Step 2. Top Type

S stone A

M thin profile HPL top A

Prices for Steps 1-2.

LTRT.5	S	\$318
	M	\$318

Step 3. Top Finish

For stone (S)

5U	georgia grey marble A	+\$1359
CRR	Carrara marble A	+\$1289

For thin profile HPL top (M)

91	white A	+\$110
BK	black A	+\$110

Step 4. Base Finish

91	white A	+\$21
G2	graphite satin A	+\$21
BK	black A	+\$21

Nelson™ Pedestal Table Outdoor

5451.
5452.
5453.
5454.
5455.



Product Information

Description

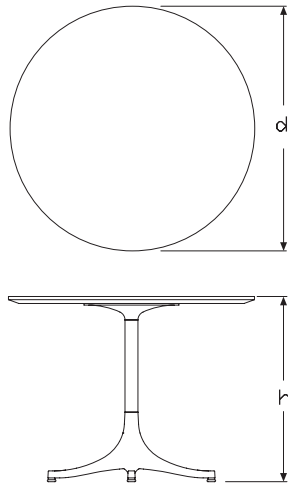
This outdoor table has a 3/4"-thick stone top or a thin profile HPL top and adjustable glides.

Notes

Stone has a honed finish and knife edge profile.

Natural characteristics in stone cause variations in hues, veins, crystals, and distinctive marks. These variations and subtle changes seen as the stone ages are values associated with natural materials. No two tabletops are identically the same; variations in both color and veining are to be expected. Over time the stone may fade in color, staining of the surface may appear, and surface cracks-if not already visible at time of purchase-may appear. Small cracks do not affect the structure of the tabletop.

Dimensions



Specification Information

Step 1.

545 A

Step 2. Height/Diameter

- 1.5** 21 1/2" high x 17" diameter
- 5.5** 26" high x 17" diameter A
- 2.5** 16" high x 28 1/2" diameter
- 3.5** 21 1/2" high x 28 1/2" diameter
- 4.5** 26" high x 28 1/2" diameter A

Step 3. Surface Material

- M** thin profile HPL top A
- S** stone top A

Prices for Steps 1-3.

5451.5 M	\$1162
S	\$2904
5455.5 M	\$1162
S	\$2904
5452.5 M	\$2523
S	\$4631
5453.5 M	\$2523
S	\$4631
5454.5 M	\$2523
S	\$4631

Step 4. Base Finish

- 91** white A +\$0
- 91** white A +\$30
- G2** graphite satin A +\$0
- G2** graphite satin A +\$30
- BK** black A +\$0
- BK** black A +\$30

Step 5. Top Finish

For 21 1/2" high x 17" diameter (1.5) with stone top (S)

- 5U** georgia grey marble A +\$225
- CRR** Carrara marble A +\$100

Nelson™ Pedestal Table Outdoor

continued

HermanMiller Ancillary-Outdoor Tables

For 26" high x 17" diameter (5.5) with stone top (S)

5U	georgia grey marble <input type="checkbox"/> A	+\$225
CRR	Carrara marble <input type="checkbox"/> A	+\$100

For 16" high x 28½" diameter (2.5) with stone top (S)

5U	georgia grey marble <input type="checkbox"/> A	+\$360
CRR	Carrara marble <input type="checkbox"/> A	+\$285

For 21½" high x 28½" diameter (3.5) with stone top (S)

5U	georgia grey marble <input type="checkbox"/> A	+\$360
CRR	Carrara marble <input type="checkbox"/> A	+\$285

For 26" high x 28½" diameter (4.5) with stone top (S)

5U	georgia grey marble <input type="checkbox"/> A	+\$360
CRR	Carrara marble <input type="checkbox"/> A	+\$285

For 21½" high x 17" diameter (1.5) with thin profile HPL top (M)

91	white <input type="checkbox"/> A	+\$0
BK	black <input type="checkbox"/> A	+\$0
G1	graphite <input type="checkbox"/> A	+\$0

For 26" high x 17" diameter (5.5) with thin profile HPL top (M)

91	white <input type="checkbox"/> A	+\$0
BK	black <input type="checkbox"/> A	+\$0
G1	graphite <input type="checkbox"/> A	+\$0

For 16" high x 28½" diameter (2.5) with thin profile HPL top (M)

91	white <input type="checkbox"/> A	+\$0
BK	black <input type="checkbox"/> A	+\$0
G1	graphite <input type="checkbox"/> A	+\$0

For 21½" high x 28½" diameter (3.5) with thin profile HPL top (M)

91	white <input type="checkbox"/> A	+\$0
BK	black <input type="checkbox"/> A	+\$0
G1	graphite <input type="checkbox"/> A	+\$0

For 26" high x 28½" diameter (4.5) with thin profile HPL top (M)

91	white <input type="checkbox"/> A	+\$0
BK	black <input type="checkbox"/> A	+\$0
G1	graphite <input type="checkbox"/> A	+\$0

Index by Product Name

HermanMiller Ancillary Accessories	
	page(s)
Box	671
Cyclade Glass Bowl	693
Eames® Hang-It-All®	665
Eames® Hang-It-All® Herman Miller x HAY	666
Eames® Molded Plywood Folding Screen	667
Environmental Enrichment Panel, Black and White	675
Environmental Enrichment Panel, Eyes	676
Environmental Enrichment Panel, Four Leaf Clover	677
Environmental Enrichment Panel, Girls	678
Environmental Enrichment Panel, Hand & Dove	679
Environmental Enrichment Panel, Knot	680
Environmental Enrichment Panel, Love Heart	681
Environmental Enrichment Panel, Stars	682
Geiger Textile Pillow	683
Girard® Environmental Enrichment Posters	688
Girard® Throw	668
Limited Edition Armin Hoffman	685
Media Stand	673
Nelson® Angled Bubble Pendant	722
Nelson® Apple Bubble Pendant	694
Nelson® Ball Bubble Pendant	695
Nelson® Ball Crisscross Bubble Pendant	703
Nelson® Ball Lotus Table Lamp	712
Nelson® Ball Tripod Lamp	715
Nelson® Ball Wall Sconce	708
Nelson® Bell Bubble Pendant	696
Nelson® Cigar Bubble Pendant	697
Nelson® Cigar Crisscross Bubble Pendant	704
Nelson® Cigar Lotus Floor Lamp	719
Nelson® Cigar Lotus Table Lamp	713
Nelson® Cigar Tripod Lamp	716
Nelson® Cigar Wall Sconce	709
Nelson® Lantern Bubble Pendant	699
Nelson® Lantern Tripod Lamp	717
Nelson® Orbit Bubble Pendant	724
Nelson® Pear Bubble Pendant	700
Nelson® Pear Crisscross Bubble Pendant	705
Nelson® Pear Lotus Floor Lamp	720
Nelson® Pear Lotus Table Lamp	714
Nelson® Pear Tripod Lamp	718
Nelson® Pear Wall Sconce	710
Nelson® Propeller Bubble Pendant	701
Nelson® Roll Bubble Pendant	721
Nelson® Saucer Bubble Pendant	702
Nelson® Saucer Crisscross Bubble Pendant	706
Nelson® Saucer Wall Sconce	711

Nelson® Triple Bubble Lamp Fixture	707
Nelson Ads	690
Nelson Pop Art Series	691
Paper Tray	674
Pencil Cup	669
Pop Art Individual	692
Sweet Corn Picnic Poster	686
Tissue Box	672
Tray	670
Watermelon Picnic Poster	687

HermanMiller Ancillary Desks and Tables	
	page(s)
AGL™ Table Group	439
AGL™ Table Group Power Kit	443
AGL™ Table Group Power Kit, Chicago version	445
Brabo Occasional Table	476
Burdick Group™ Base Assembly	451
Burdick Group™ Beam	450
Burdick Group™ Oval Table	448
Burdick Group™ Rectangular Table	447
Burdick Group™ Rectangular Work Surface	453
Burdick Group™ Round Work Surface	452
Claw Occasional Table, Square	479
Claw Table	478
Cyclade Tables	516
Eames® 2500 Series Executive Desk	438
Eames® Coffee Table	460
Eames® Desk Unit	435
Eames® Indoor/Outdoor Table, Round Herman Miller x HAY	459
Eames® Molded Plywood Coffee Table Metal Base	462
Eames® Molded Plywood Coffee Table Wood Base	463
Eames® Rectangular Coffee Table	464
Eames® Wire Base Elliptical Table	465
Eames® Wire Base Low Table	466
Eames® Wire Base Low Table Herman Miller x HAY	467
Full Round Table	480
H-Frame Coffee Table	489
H-Frame Side Table	486
I-Beam Coffee Table	492
I-Beam Side Table	493
Layer Occasional Table, High Nesting	507
Layer Occasional Table, Low Nesting	509
Layer Occasional Table, No Shelf	513
Layer Occasional Table, Stone Shelf	514
Layer Occasional Table, Wood Shelf	511
Luva Modular Sofa, 3 Seat Sofa	518
Mode Desk	436
Nelson™ Cane Bench	468

Index by Product Name *continued*

Index: Product Name

Nelson™ Pedestal Table	469
Nelson™ Swag Leg Desk	437
Nelson™ Swag Leg Dining Table Rectangular	454
Nelson™ Swag Leg Dining Table Round	455
Nelson™ Swag Leg Work Table	456
Nelson™ X-Leg Table	457
Noguchi® Rudder Table	472
Noguchi® Table	471
Polygon Wire Table	519
Reframe Occasional Table	515
Saiba Table Glass Top	503
Saiba Table Thin Profile Top	505
Saiba Table Wood Top	500
Striad® Pedestal Table	473
Tuxedo Component Lounge Tables Rectangular	498
Tuxedo Component Lounge Tables Square	496
Tuxedo Component Lounge Tables Tray	494
HermanMiller Ancillary Outdoor Furniture	
Eames® Aluminum Group Lounge Chair Outdoor	page(s) 730
Eames® Aluminum Group Ottoman Outdoor	731
Eames® Aluminum Group Side Chair Outdoor	727
Eames® Wire Base Low Table Outdoor	732
Eames® Wire Chair Outdoor	728
Eames® Wire Stool Outdoor	729
Nelson™ Pedestal Table Outdoor	733
HermanMiller Ancillary Seating	
Betwixt Bar Stool	page(s) 223
Betwixt Bench	246
Betwixt Chair, Armless	51
Betwixt Chair with Arms	49
Betwixt Counter Stool	221
Bevel Chaise	298
Bevel Club Chair	293
Bevel Corner	294
Bevel Curved Settee	301
Bevel Ottoman	297
Bevel Rounded Ottoman	304
Bevel Settee	295
Bevel Single Seat	303
Bevel Sofa	299
Bolster Chaise	310
Bolster Club Chair	305
Bolster Corner	306
Bolster Ottoman	309
Bolster Settee	307
Bolster Sofa	311
Brabo Lounge Chair	181

Brabo Settee	402
Brabo Sofa	405
Bumper High Arm Conference Chair, 5 Star	285
Bumper High Arm Lounge Chair, 4 Star	215
Bumper High Arm Side Chair, 4 Leg	287
Bumper Low Arm Conference Chair, 5 Star	277
Bumper Low Arm Side Chair, 4 Leg	279
Bumper Low Arm Side Chair, 4 Star	283
Chadwick Base Cover Kit	353
Chadwick Module	351
Chadwick Power Entry	354
Chadwick Power Jumper	356
Chadwick Receptacle Kit	355
ColourForm Bench, Not Quilted, Single Textile	335
ColourForm Bench, Quilted, Single Textile	336
ColourForm Chaise, Not Quilted, Single Textile	324
ColourForm Chaise, Quilted, Single Textile	326
ColourForm Chaise, Quilted, Two Textiles	328
ColourForm Club Chair, Not Quilted, Single Textile	319
ColourForm Club Chair, Quilted, Single Textile	320
ColourForm Club Chair, Quilted, Two Textiles	321
ColourForm Corner, Not Quilted, Single Textile	333
ColourForm Corner, Quilted, Single Textile	334
ColourForm Ganging Kit	337
ColourForm Ottoman, Not Quilted, Single Textile	322
ColourForm Ottoman, Quilted, Single Textile	323
ColourForm Sofa, Not Quilted, Single Textile	313
ColourForm Sofa, Quilted, Single Textile	315
ColourForm Sofa, Quilted, Two Textiles	317
ColourForm Tete-a-Tete, Not Quilted, Single Textile	330
ColourForm Tete-a-Tete, Quilted, Single Textile	331
ColourForm Tete-a-Tete, Quilted, Two Textiles	332
Comma Bar Stool	225
Comma Chair, Armless	48
Comma Chair with Arms	47
Comma Counter Stool	226
Crosshatch Lounge Chair	108
Crosshatch Ottoman	111
Crosshatch Settee	114
Crosshatch Side Chair	71
Crosshatch Stool	241
Eames® Aluminum Group Executive Chair	255
Eames® Aluminum Group Lounge Chair	82
Eames® Aluminum Group Management Chair	257
Eames® Aluminum Group Ottoman	84
Eames® Aluminum Group Side Chair	5
Eames® Arm Caps, Package of 2	281

Index by Product Name *continued*

Eames® Arm Caps, Package of 20	282	Eames® Upholstered Molded Wood Stool	235
Eames® Chaise	106	Eames® Walnut Stool	219
Eames® Executive Chair	266	Eames® Wire Chair	27
Eames® Lounge Chair	92	Eames® Wire Chair Herman Miller x HAY	30
Eames® Lounge Chair and Ottoman	88	Eames® Wire Stool	237
Eames® Lounge Chair and Ottoman, Ebony	90	Envelope® Chair	53
Eames® Lounge Chair and Ottoman White Ash	91	Full Twist™ Guest Chair	55
Eames® Lounge Chair, Ebony	94	Girard Color Wheel Ottoman	413
Eames® Lounge Chair White Ash	95	Landmark Chair	61
Eames® Low Wire Base, Arm Shell	36	Landmark Low Arm Chair	58
Eames® Molded Fiberglass Armchair	34	Leeway™ Metal Frame Side Chair	73
Eames® Molded Fiberglass Side Chair	19	Leeway™ Stool	243
Eames® Molded Fiberglass Stool	227	Leeway™ Wood Side Chair	76
Eames® Molded Plastic Armchair	31	Lispenard Chair	291
Eames® Molded Plastic Armchair Herman Miller x HAY	33	Lispenard Ottoman	290
Eames® Molded Plastic Armchair Rocker Base	99	Lispenard Sectional	292
Eames® Molded Plastic Side Chair	13	Lispenard Sofa	289
Eames® Molded Plastic Side Chair Herman Miller x HAY	15	Luva Modular Sofa, 2 Seat Sectional	424
Eames® Molded Plastic Stool	231	Luva Modular Sofa, 2 Seat Sofa	425
Eames® Molded Plywood Dining Chair Metal Base	9	Luva Modular Sofa, 3 Seat Sectional	426
Eames® Molded Plywood Dining Chair Wood Base	11	Luva Modular Sofa, Chaise	430
Eames® Molded Plywood Lounge Chair Metal Base	102	Luva Modular Sofa, Corner Sectional	427
Eames® Molded Plywood Lounge Chair Wood Base	104	Luva Modular Sofa, Ganging Hardware	432
Eames® Molded Wood Side Chair	24	Luva Modular Sofa, Ottoman	431
Eames® Molded Wood Stool	234	Luva Modular Sofa, Single Seat	428
Eames® Ottoman	96	Mantle Club Chair	196
Eames® Ottoman, Ebony	97	Mantle Ganging Plate	214
Eames® Ottoman White Ash	98	Mantle Ottoman	210
Eames® Side Chair Stacking Base Dolly	26	Mantle Settee	200
Eames® Sofa	399	Mantle Sofa	205
Eames® Sofa Compact	397	Nelson Cube Lounge Chair	217
Eames® Sofa Compact, Herman Miller x HAY	398	Nelson Cube Sofa 81	422
Eames® Soft Pad Group Executive Chair	260	Nelson Cube Sofa 92	423
Eames® Soft Pad Group Management Chair	263	Nelson™ Coconut Lounge Chair	107
Eames® Soft Pad Lounge Chair	85	Nelson™ Coconut Lounge Chair Leather	218
Eames® Soft Pad Ottoman	87	Nelson™ Marshmallow Sofa	401
Eames® Soft Pad Side Chair	7	Nelson™ Pedestal Stool	220
Eames® Task Chair, Arm Shell	268	Nelson™ Platform Bench	248
Eames® Task Chair, Side Shell	270	Nelson™ Platform Bench Cushion	249
Eames® Upholstered Molded Fiberglass Armchair	41	Nelson™ Swag Leg Armchair	46
Eames® Upholstered Molded Fiberglass Side Chair	21	Nessel Chair	64
Eames® Upholstered Molded Fiberglass Stool	228	Portrait™ Side Chair	79
Eames® Upholstered Molded Plastic Armchair	38	Rapport Corner	184
Eames® Upholstered Molded Plastic Armchair Rocker Base	100	Rapport Large Pillow	194
Eames® Upholstered Molded Plastic Side Chair	16	Rapport Ottoman	192
Eames® Upholstered Molded Plastic Stool	232	Rapport Settee	186
Eames® Upholstered Molded Wood Side Chair	44	Rapport Small Pillow	195

Index by Product Name *continued*

Index: Product Name

Rapport Sofa	189
Reframe High-Back Lounge Chair	118
Reframe Mid-Back Lounge Chair	116
Reframe Wing-Back Lounge Chair	120
Rolled Arm Club Chair	122
Rolled Arm Sofa	408
Saiba Conference Chair	69
Saiba Guest Chair	179
Saiba Lounge	177
Saiba Multitask Chair	273
Saiba Ottoman	178
Scissor Chair	128
Single Power Unit/Housing	421
Sled Chair	130
Spot Stool	239
Striad High-Back Lounge Chair, 4-Star Base	161
Striad High-Back Lounge Chair, Wire Base	163
Striad High Back Sofa	415
Striad Low Back Armless	342
Striad Low Back Corner	344
Striad Low Back Curve	346
Striad Low-Back Lounge Chair, 4-Star Base	169
Striad Low-Back Lounge Chair, Wire Base	171
Striad Low Back Settee	340
Striad Low Back Sofa	338
Striad Mid-Back Lounge Chair, 4-Star Base	165
Striad Mid-Back Lounge Chair, Wire Base	167
Striad Ottoman, 4-Star Base	173
Striad Ottoman, Wire Base	175
Taper Chair	275
Tuxedo Classic Club Chair	158
Tuxedo Classic Corner Settee	383
Tuxedo Classic Corner Sofa	393
Tuxedo Classic Settee	377
Tuxedo Classic Sofa	387
Tuxedo Component Lounge™ Bench	251
Tuxedo Component Lounge™ Club Chair	132
Tuxedo Component Lounge™ Corner Sofa with Attached Settee	373
Tuxedo Component Lounge™ Corner Sofa with Attached Sofa	375
Tuxedo Component Lounge™ Daybed	145
Tuxedo Component Lounge™ Museum Bench	253
Tuxedo Component Lounge™ Ottoman	143
Tuxedo Component Lounge™ Settee	362
Tuxedo Component Lounge™ Settee Corner	367
Tuxedo Component Lounge™ Sofa	357
Tuxedo Component Lounge™ Sofa Corner	370
Tuxedo Component Lounge with Table - One Seat	147

Tuxedo Component Lounge with Table - Two Seats	152
Tuxedo Ganging Plate	414
U-Chair Lounge Chair	135
U-Chair Lounge Chair with Casters	137
U-Settee	139
U-Sofa	141
Wilkes Modular Sofa Group	348
Wilkes Modular Sofa Group with Table	417
Wireframe™ Chair	124
Wireframe™ Ottoman	126
Wireframe™ Sofa	411

HermanMiller Ancillary Storage	
Domino Credenza	page(s) 542, 544, 546, 547, 550, 551
Domino Sideboard	543, 545, 548, 549, 552, 553
Eames® Storage Unit	523
H-Frame Credenza Four Units Wide	580
H-Frame Credenza One Unit Wide	554
H-Frame Credenza Stone Top	589
H-Frame Credenza Three Units Wide	571
H-Frame Credenza Two Units Wide	561
Nelson® Basic Cabinet Series 16.5 x 18	525
Nelson® Basic Cabinet Series 24 x 24	526
Nelson® Basic Cabinet Series 24 x 34	527
Nelson® Basic Cabinet Series 24 x 34 Bookcase	528
Nelson® Thin Edge Bedside Table	532
Nelson® Thin Edge Buffet	538
Nelson® Thin Edge Chest	534
Nelson® Thin Edge Chest Cabinet	536
Nelson® Thin Edge Double Dresser	540
Nelson™ Miniature Chest 6 Drawer	529
Nelson™ Miniature Chest 9 Drawer	530
Silverware Drawer Insert	590
Sled Base Credenza Four Units Wide	610
Sled Base Credenza Four Units Wide and Stone Top	635
Sled Base Credenza Three Units Wide	603
Sled Base Credenza Three Units Wide and Stone Top	628
Sled Base Credenza Two Units Wide	596
Sled Base Credenza Two Units Wide and Stone Top	621
Sled Base Mobile Credenza	646
Sled Base Mobile Credenza Stone Top	657
Sled Base Mobile Pedestal	641
Sled Base Mobile Pedestal Stone Top	652
Sled Base Pedestal	591
Sled Base Pedestal Stone Top	616

Index by Product Number

411	Eames® Walnut Stool	page(s) 219	AJN04	ColourForm Ottoman, Quilted, Single Textile	323
412			AJN10	ColourForm Chaise, Not Quilted, Single Textile	324
413			AJN10	ColourForm Chaise, Quilted, Single Textile	326
473	Eames® Sofa Compact	397	AJN10	ColourForm Chaise, Quilted, Two Textiles	328
473X	Eames® Sofa Compact, Herman Miller x HAY	398	AJN10	ColourForm Club Chair, Not Quilted, Single Textile	319
2003	U-Chair Lounge Chair	135	AJN10	ColourForm Club Chair, Quilted, Single Textile	320
2004	U-Chair Lounge Chair with Casters	137	AJN10	ColourForm Club Chair, Quilted, Two Textiles	321
2006	U-Settee	139	AJN10	ColourForm Corner, Not Quilted, Single Textile	333
2007	U-Sofa	141	AJN10	ColourForm Corner, Quilted, Single Textile	334
5291.	Nelson™ Cane Bench	468	AJN10	ColourForm Sofa, Not Quilted, Single Textile	313
5451.	Nelson™ Pedestal Table Outdoor	733	AJN10	ColourForm Sofa, Quilted, Single Textile	315
5451L	Nelson™ Pedestal Table	469	AJN10	ColourForm Sofa, Quilted, Two Textiles	317
5451S			AJN10	ColourForm Tete-a-Tete, Not Quilted, Single Textile	330
5451W			AJN10	ColourForm Tete-a-Tete, Quilted, Single Textile	331
5452.	Nelson™ Pedestal Table Outdoor	733	AJN10	ColourForm Tete-a-Tete, Quilted, Two Textiles	332
5452L	Nelson™ Pedestal Table	469	AJNG	ColourForm Ganging Kit	337
5452S			AL1C0	Bolster Ottoman	309
5452W			AL1C1	Bolster Chaise	310
5453.	Nelson™ Pedestal Table Outdoor	733	AL1C1	Bolster Club Chair	305
5453L	Nelson™ Pedestal Table	469	AL1C1	Bolster Corner	306
5453S			AL1C1	Bolster Settee	307
5453W			AL1C1	Bolster Sofa	311
5454.	Nelson™ Pedestal Table Outdoor	733	AL6C0	Bevel Ottoman	297
5454L	Nelson™ Pedestal Table	469	AL6C0	Bevel Rounded Ottoman	304
5454S			AL6C0	Bevel Single Seat	303
5454W			AL6C1	Bevel Chaise	298
5455.	Nelson™ Pedestal Table Outdoor	733	AL6C1	Bevel Club Chair	293
5455L	Nelson™ Pedestal Table	469	AL6C1	Bevel Corner	294
5455S			AL6C1	Bevel Settee	295
5455W			AL6C1	Bevel Sofa	299
5569.	Nelson™ Coconut Lounge Chair	107	AL6C2	Bevel Curved Settee	301
5569L	Nelson™ Coconut Lounge Chair Leather	218	AL6C3		
5670	Nelson™ Marshmallow Sofa	401	AL510	Lispenard Chair	291
66332	Girard Color Wheel Ottoman	413	AL510	Lispenard Ottoman	290
ACL1A	Claw Table	478	AL510	Lispenard Sectional	292
ACL2A	Claw Occasional Table, Square	479	AL510	Lispenard Sofa	289
AFCA	Reframe Occasional Table	515	ALNHS	Layer Occasional Table, High Nesting	507
AFCW			ALNLT	Layer Occasional Table, Low Nesting	509
AFRA			ALYSA	Layer Occasional Table, Wood Shelf	511
AFRW			ALYSN	Layer Occasional Table, No Shelf	513
AFSA			ALYSS	Layer Occasional Table, Stone Shelf	514
AFSW			ALYSW	Layer Occasional Table, Wood Shelf	511
AJN2B	ColourForm Bench, Not Quilted, Single Textile	335	APN22	Mode Desk	436
AJN2B	ColourForm Bench, Quilted, Single Textile	336	APS22		
AJN3B	ColourForm Bench, Not Quilted, Single Textile	335	ASB1A	Saiba Table Wood Top	500
AJN3B	ColourForm Bench, Quilted, Single Textile	336	ASB1G	Saiba Table Glass Top	503
AJN04	ColourForm Ottoman, Not Quilted, Single Textile	322	ASB1T	Saiba Table Thin Profile Top	505

Index by Product Number *continued*

Index: Product Number

ASB1W	Saiba Table Wood Top	500	CCL100	Striad High-Back Lounge Chair, 4-Star Base	161
AV3AL	Brabo Occasional Table	476	CCL101	Striad High-Back Lounge Chair, Wire Base	163
AV3AW			CCL200	Striad Mid-Back Lounge Chair, 4-Star Base	165
AV3WL			CCL201	Striad Mid-Back Lounge Chair, Wire Base	167
AV3WW			CCL300	Striad Low-Back Lounge Chair, 4-Star Base	169
AWB1Z	I-Beam Side Table	493	CCL301	Striad Low-Back Lounge Chair, Wire Base	171
AWB2G	I-Beam Coffee Table	492	CCL400	Striad Ottoman, 4-Star Base	173
AWB2M			CCL401	Striad Ottoman, Wire Base	175
AWH2G	H-Frame Coffee Table	489	CCL500	Striad® Pedestal Table	473
AWH2G	H-Frame Side Table	486	CM101	Chadwick Module	351
AWH2S	H-Frame Coffee Table	489	CM102		
AWH2S	H-Frame Side Table	486	CM103		
AWH2W	H-Frame Coffee Table	489	CM104	Chadwick Base Cover Kit	353
AWH2W	H-Frame Side Table	486	CM105	Chadwick Module	351
AWR2-	Full Round Table	480	CM106		
AXT3-	Tuxedo Component Lounge Tables Tray	494	CM107	Chadwick Power Entry	354
AXW2-	Tuxedo Component Lounge Tables Square	496	CM108	Chadwick Receptacle Kit	355
AXW3-	Tuxedo Component Lounge Tables Rectangular	498	CM109	Chadwick Power Jumper	356
B-3-7	Nelson® Triple Bubble Lamp Fixture	707	CTM.	Eames® Molded Plywood Coffee Table Metal Base	462
BC1618	Nelson® Basic Cabinet Series 16.5 x 18	525	CTW.	Eames® Molded Plywood Coffee Table Wood Base	463
BC2400	Nelson® Basic Cabinet Series 24 x 34 Bookcase	528	CTW1.	Eames® Rectangular Coffee Table	464
BC2424	Nelson® Basic Cabinet Series 24 x 24	526	CY100.	Pencil Cup	669
BC2434	Nelson® Basic Cabinet Series 24 x 34	527	CY101.	Tray	670
BELLX	Nelson® Bell Bubble Pendant	696	CY102.	Box	671
BG105	Burdick Group™ Beam	450	CY103.	Tissue Box	672
BG106			CY104.	Media Stand	673
BG107	Burdick Group™ Base Assembly	451	CY105.	Paper Tray	674
BG120	Burdick Group™ Rectangular Work Surface	453	DAC.	Eames® Molded Plastic Armchair Herman Miller x HAY	33
BG121			DAF	Nelson™ Swag Leg Armchair	46
BG122	Burdick Group™ Round Work Surface	452	DAR.	Eames® Molded Plastic Armchair	31
BG321	Burdick Group™ Rectangular Table	447	DAR.	Eames® Upholstered Molded Plastic Armchair	38
BG322			DAW.	Eames® Molded Plastic Armchair	31
BG331			DAW.	Eames® Upholstered Molded Plastic Armchair	38
BG332			DAX.	Eames® Molded Plastic Armchair	31
BG335	Burdick Group™ Oval Table	448	DAX.	Eames® Upholstered Molded Plastic Armchair	38
BG336			DCM.	Eames® Molded Plywood Dining Chair Metal Base	9
BG435			DCW.	Eames® Molded Plywood Dining Chair Wood Base	11
BG436			DF100.	AGL™ Table Group	439
BK104	Wireframe™ Ottoman	126	DF900.	AGL™ Table Group Power Kit	443
BK110	Wireframe™ Chair	124	DF901.	AGL™ Table Group Power Kit, Chicago version	445
BK110	Wireframe™ Sofa	411	DFAR.	Eames® Molded Fiberglass Armchair	34
CCL60	Striad High Back Sofa	415	DFAR.	Eames® Upholstered Molded Fiberglass Armchair	41
CCL70	Striad Low Back Sofa	338	DFAW.	Eames® Molded Fiberglass Armchair	34
CCL80	Striad Low Back Settee	340	DFAW.	Eames® Upholstered Molded Fiberglass Armchair	41
CCL90	Striad Low Back Armless	342	DFAX.	Eames® Molded Fiberglass Armchair	34
CCL92	Striad Low Back Corner	344	DFAX.	Eames® Upholstered Molded Fiberglass Armchair	41
CCL94	Striad Low Back Curve	346	DFH BX.	Eames® Molded Fiberglass Stool	227

Index by Product Number *continued*

DFHBX. Eames® Upholstered Molded Fiberglass Stool	228	EA322	
DFHCX. Eames® Molded Fiberglass Stool	227	EA323 Eames® Aluminum Group Ottoman	84
DFHCX. Eames® Upholstered Molded Fiberglass Stool	228	EA334 Eames® Aluminum Group Management Chair	257
DFSR. Eames® Molded Fiberglass Side Chair	19	EA335	
DFSR. Eames® Upholstered Molded Fiberglass Side Chair	21	EA337 Eames® Aluminum Group Executive Chair	255
DFSS. Eames® Molded Fiberglass Side Chair	19	EA402 Eames® Soft Pad Side Chair	7
DFSW.		EA406	
DFSW. Eames® Upholstered Molded Fiberglass Side Chair	21	EA408	
DFSX. Eames® Molded Fiberglass Side Chair	19	EA416 Eames® Soft Pad Lounge Chair	85
DFSX. Eames® Upholstered Molded Fiberglass Side Chair	21	EA422	
DKC. Eames® Wire Chair Herman Miller x HAY	30	EA423 Eames® Soft Pad Ottoman	87
DKHBX. Eames® Wire Stool	237	EA434 Eames® Soft Pad Group Management Chair	263
DKHCX.		EA435	
DKHQBX Eames® Wire Stool Outdoor	729	EA437 Eames® Soft Pad Group Executive Chair	260
DKHQCX		EA506 Eames® Aluminum Group Side Chair Outdoor	727
DKQR. Eames® Wire Chair Outdoor	728	EA508	
DKQX.		EA516 Eames® Aluminum Group Lounge Chair Outdoor	730
DKR. Eames® Wire Chair	27	EA523 Eames® Aluminum Group Ottoman Outdoor	731
DKW.		EAC02 Eames® Arm Caps, Package of 2	281
DKX.		EAC20 Eames® Arm Caps, Package of 20	282
DOLLY. Eames® Side Chair Stacking Base Dolly	26	ECT30 Eames® Coffee Table	460
DSC. Eames® Molded Plastic Side Chair Herman Miller x HAY	15	EDU10. Eames® Desk Unit	435
DSHBX. Eames® Molded Plastic Stool	231	EDU20.	
DSHBX. Eames® Upholstered Molded Plastic Stool	232	EDU21.	
DSHCX. Eames® Molded Plastic Stool	231	EE501 Environmental Enrichment Panel, Girls	678
DSHCX. Eames® Upholstered Molded Plastic Stool	232	EE507 Environmental Enrichment Panel, Hand & Dove	679
DSR. Eames® Molded Plastic Side Chair	13	EE513 Environmental Enrichment Panel, Stars	682
DSR. Eames® Upholstered Molded Plastic Side Chair	16	EE514 Environmental Enrichment Panel, Eyes	676
DSS. Eames® Molded Plastic Side Chair	13	EE517 Environmental Enrichment Panel, Love Heart	681
DSW.		EE529 Environmental Enrichment Panel, Four Leaf Clover	677
DSW. Eames® Upholstered Molded Plastic Side Chair	16	EE532 Environmental Enrichment Panel, Knot	680
DSX. Eames® Molded Plastic Side Chair	13	EE535 Environmental Enrichment Panel, Black and White	675
DSX. Eames® Upholstered Molded Plastic Side Chair	16	ES106 Eames® Chaise	106
DWHBX. Eames® Molded Wood Stool	234	ES108 Eames® Sofa	399
DWHBX. Eames® Upholstered Molded Wood Stool	235	ES110	
DWHCX. Eames® Molded Wood Stool	234	ES204 Eames® Executive Chair	266
DWHCX. Eames® Upholstered Molded Wood Stool	235	ES670 Eames® Lounge Chair	92
DWSR. Eames® Molded Wood Side Chair	24	ES670 Eames® Lounge Chair and Ottoman	88
DWSR. Eames® Upholstered Molded Wood Side Chair	44	ES670 Eames® Lounge Chair and Ottoman, Ebony	90
DWSW. Eames® Molded Wood Side Chair	24	ES670 Eames® Lounge Chair and Ottoman White Ash	91
DWSW. Eames® Upholstered Molded Wood Side Chair	44	ES670 Eames® Lounge Chair, Ebony	94
DWSX. Eames® Molded Wood Side Chair	24	ES670 Eames® Lounge Chair White Ash	95
DWSX. Eames® Upholstered Molded Wood Side Chair	44	ES671 Eames® Ottoman	96
EA302 Eames® Aluminum Group Side Chair	5	ES671 Eames® Ottoman, Ebony	97
EA306		ES671 Eames® Ottoman White Ash	98
EA308		ESU100 Eames® Storage Unit	523
EA316 Eames® Aluminum Group Lounge Chair	82	ESU150	

Index by Product Number *continued*

Index: Product Number

ESU201		
ESU230		
ESU420		
ET5C.	Eames® Indoor/Outdoor Table, Round Herman Miller x HAY	459
ET22R	Eames® 2500 Series Executive Desk	438
ET87R		
ETRT.	Eames® Wire Base Elliptical Table	465
FE1LS	Cyclade Tables	516
FE1LW		
FE1MS		
FE1MW		
FE1TS		
FE1TW		
FE21	Cyclade Glass Bowl	693
FSW.	Eames® Molded Plywood Folding Screen	667
GLR10	Luva Modular Sofa, Single Seat	428
GLR20	Luva Modular Sofa, Chaise	430
GLR30	Luva Modular Sofa, Ottoman	431
GLR40	Luva Modular Sofa, 2 Seat Sofa	425
GLR45	Luva Modular Sofa, 2 Seat Sectional	424
GLR50	Luva Modular Sofa, 3 Seat Sofa	518
GLR55	Luva Modular Sofa, 3 Seat Sectional	426
GLR60	Luva Modular Sofa, Corner Sectional	427
GLR70	Luva Modular Sofa, Ganging Hardware	432
H737S	Nelson® Lantern Bubble Pendant	699
H737T	Nelson® Lantern Tripod Lamp	717
H761C	Nelson® Ball Crisscross Bubble Pendant	703
H761L	Nelson® Ball Bubble Pendant	695
H761L	Nelson® Ball Lotus Table Lamp	712
H761M	Nelson® Ball Bubble Pendant	695
H761S		
H761S	Nelson® Ball Wall Sconce	708
H761T	Nelson® Ball Tripod Lamp	715
H762C	Nelson® Cigar Crisscross Bubble Pendant	704
H762L	Nelson® Cigar Bubble Pendant	697
H762L	Nelson® Cigar Lotus Floor Lamp	719
H762L	Nelson® Cigar Lotus Table Lamp	713
H762M	Nelson® Cigar Bubble Pendant	697
H762S		
H762S	Nelson® Cigar Wall Sconce	709
H762T	Nelson® Cigar Tripod Lamp	716
H762X	Nelson® Cigar Bubble Pendant	697
H763C	Nelson® Saucer Crisscross Bubble Pendant	706
H763L	Nelson® Saucer Bubble Pendant	702
H763M		
H763S		

H763S	Nelson® Saucer Wall Sconce	711
H763X	Nelson® Saucer Bubble Pendant	702
H764M	Nelson® Roll Bubble Pendant	721
H766M	Nelson® Apple Bubble Pendant	694
H769L	Nelson® Angled Bubble Pendant	722
H769M		
H769S		
H770C	Nelson® Pear Crisscross Bubble Pendant	705
H770L	Nelson® Pear Lotus Floor Lamp	720
H770L	Nelson® Pear Lotus Table Lamp	714
H770M	Nelson® Pear Bubble Pendant	700
H770S		
H770S	Nelson® Pear Wall Sconce	710
H770T	Nelson® Pear Tripod Lamp	718
H771M	Nelson® Orbit Bubble Pendant	724
H771S		
HA-GI	Girard® Environmental Enrichment Posters	688
HA-GT	Girard® Throw	668
HA-LE	Limited Edition Armin Hoffman	685
HA-LE	Sweet Corn Picnic Poster	686
HA-LE	Watermelon Picnic Poster	687
HA-NE	Nelson Ads	690
HA-NP	Nelson Pop Art Series	691
HA-NP	Pop Art Individual	692
HIA91	Eames® Hang-It-All®	665
HIABK		
HIAC.	Eames® Hang-It-All® Herman Miller x HAY	666
HIAML	Eames® Hang-It-All®	665
HIAOU		
HIAPR		
HIAUL		
IN50	Noguchi® Table	471
IN52	Noguchi® Rudder Table	472
IWCM2	Domino Credenza	547
IWCM3	Domino Credenza	550
IWCM4	Domino Credenza	551
IWCS2	Domino Credenza	542
IWCS3	Domino Credenza	544
IWCS4	Domino Credenza	546
IWSM2	Domino Sideboard	549
IWSM3	Domino Sideboard	552
IWSM4	Domino Sideboard	553
IWSS2	Domino Sideboard	543
IWSS3	Domino Sideboard	545
IWSS4	Domino Sideboard	548
JA	Silverware Drawer Insert	590
JCH1-	H-Frame Credenza One Unit Wide	554

Index by Product Number *continued*

JCH1S	H-Frame Credenza Stone Top	589	NC559	Nelson™ Miniature Chest 9 Drawer	530
JCH2-	H-Frame Credenza Two Units Wide	561	NCU1	Nelson Cube Lounge Chair	217
JCH2S	H-Frame Credenza Stone Top	589	NCU2	Nelson Cube Sofa 81	422
JCH3-	H-Frame Credenza Three Units Wide	571	NCU3	Nelson Cube Sofa 92	423
JCH3S	H-Frame Credenza Stone Top	589	NS585	Nelson™ Swag Leg Desk	437
JCH4-	H-Frame Credenza Four Units Wide	580	NS585	Nelson™ Swag Leg Dining Table Rectangular	454
JCH4S	H-Frame Credenza Stone Top	589	NS585	Nelson™ Swag Leg Dining Table Round	455
JCS1-	Sled Base Pedestal	591	NS585	Nelson™ Swag Leg Work Table	456
JCS1S	Sled Base Pedestal Stone Top	616	NX100.	Nelson™ X-Leg Table	457
JCS2-	Sled Base Credenza Two Units Wide	596	PACCF.	Eames® Task Chair, Arm Shell	268
JCS2S	Sled Base Credenza Two Units Wide and Stone Top	621	PACCP.		
JCS3-	Sled Base Credenza Three Units Wide	603	PB.	Nelson™ Platform Bench	248
JCS3S	Sled Base Credenza Three Units Wide and Stone Top	628	PBC.	Nelson™ Platform Bench Cushion	249
JCS4-	Sled Base Credenza Four Units Wide	610	PROP1	Nelson® Propeller Bubble Pendant	701
JCS4S	Sled Base Credenza Four Units Wide and Stone Top	635	PROP2		
JMS1-	Sled Base Mobile Pedestal	641	PS16	Nelson™ Pedestal Stool	220
JMS1S	Sled Base Mobile Pedestal Stone Top	652	PSCCD.	Eames® Task Chair, Side Shell	270
JMS2-	Sled Base Mobile Credenza	646	PSCCF.		
JMS2S	Sled Base Mobile Credenza Stone Top	657	PSCCP.		
LARF.	Eames® Low Wire Base, Arm Shell	36	PSCCR.		
LARP.			PTA	Geiger Textile Pillow	683
LCM.	Eames® Molded Plywood Lounge Chair Metal Base	102	PTB		
LCW.	Eames® Molded Plywood Lounge Chair Wood Base	104	PTC		
LN10A	Betwixt Chair with Arms	49	PTD		
LN10N	Betwixt Chair, Armless	51	PWL14	Polygon Wire Table	519
LN20N	Betwixt Counter Stool	221	PWL22		
LN30N	Betwixt Bar Stool	223	PWL26		
LN40A	Betwixt Bench	246	PWM14		
LTRT.	Eames® Wire Base Low Table	466	PWM18		
LTRT.	Eames® Wire Base Low Table Outdoor	732	PWM26		
LTRTC.	Eames® Wire Base Low Table Herman Miller x HAY	467	PWS16		
MAS18	Spot Stool	239	PWS20		
MAS24			PWS26		
MAS30			PX501.	Single Power Unit/Housing	421
MG101	Wilkes Modular Sofa Group	348	RAR.	Eames® Molded Plastic Armchair Rocker Base	99
MG102			RAR.	Eames® Upholstered Molded Plastic Armchair Rocker Base	100
MG103			SBEV-	Envelope® Chair	53
MG104			SBLAC	Landmark Low Arm Chair	58
MG105			SBLAF		
MG106			SBLLC	Landmark Chair	61
MG123	Wilkes Modular Sofa Group with Table	417	SBLLF		
MG124			SBN1H	Saiba Conference Chair	69
MG125			SBN1M		
MG126			SBN3H	Saiba Multitask Chair	273
NC526	Nelson™ Miniature Chest 6 Drawer	529	SBN3M		
NC529	Nelson™ Miniature Chest 9 Drawer	530	SBN5H	Saiba Lounge	177
NC556	Nelson™ Miniature Chest 6 Drawer	529			

Index by Product Number *continued*

Index: Product Number

SBN6	Saiba Ottoman	178	SK2CL		
SBN7M	Saiba Guest Chair	179	SK2CR		
SBR4H	Bumper High Arm Lounge Chair, 4 Star	215	SK2N		
SBR4L	Bumper Low Arm Side Chair, 4 Star	283	SK3A	Rapport Sofa	189
SBR5H	Bumper High Arm Conference Chair, 5 Star	285	SK3CL		
SBR5L	Bumper Low Arm Conference Chair, 5 Star	277	SK3CR		
SBRA-	Rolled Arm Club Chair	122	SK3N		
SBRA-	Rolled Arm Sofa	408	SK4A	Rapport Ottoman	192
SBRLH	Bumper High Arm Side Chair, 4 Leg	287	SK4B		
SBRL	Bumper Low Arm Side Chair, 4 Leg	279	SK5	Rapport Large Pillow	194
SBSC-	Scissor Chair	128	SK6	Rapport Small Pillow	195
SBSD-			SNS1A	Nessel Chair	64
SBSU-	Sled Chair	130	SNS1W		
SEB1B	Crosshatch Stool	241	SNS2A		
SEB1C			SNS2W		
SES1A	Crosshatch Lounge Chair	108	SR1AN	Mantle Club Chair	196
SES1W			SR1AP		
SES2A	Crosshatch Side Chair	71	SR1NN		
SES2W			SR1NP		
SES3A	Crosshatch Ottoman	111	SR2AL	Mantle Settee	200
SES3W			SR2AN		
SES4A	Crosshatch Settee	114	SR2AP		
SES4W			SR2AR		
SFA1P	Taper Chair	275	SR2CL		
SFA1S			SR2CR		
SFA1T			SR2NN		
SFA2P			SR2NP		
SFA2S			SR3AL	Mantle Sofa	205
SFA2T			SR3AN		
SFT1A	Full Twist™ Guest Chair	55	SR3AP		
SFT1M			SR3AR		
SFT1N			SR3CL		
SFT1W			SR3CR		
SH1AS	Portrait™ Side Chair	79	SR3NN		
SH1AU			SR3NP		
SH1AW			SR4LW	Mantle Ottoman	210
SH1NS			SR4RW		
SH1NU			SR5	Mantle Ganging Plate	214
SH1NW			SR40W	Mantle Ottoman	210
SJAA	Reframe Mid-Back Lounge Chair	116	SR41W		
SJAW			SR42W		
SJBA	Reframe High-Back Lounge Chair	118	SR43W		
SJBW			ST1AN	Tuxedo Component Lounge™ Club Chair	132
SJCA	Reframe Wing-Back Lounge Chair	120	ST1AQ		
SJCW			ST1BN	Tuxedo Component Lounge™ Ottoman	143
SK1	Rapport Corner	184	ST1BQ		
SK2A	Rapport Settee	186	ST1NN	Tuxedo Component Lounge™ Club Chair	132

Index by Product Number *continued*

ST1NQ		
ST2AL	Tuxedo Component Lounge™ Settee	362
ST2AN		
ST2AQ		
ST2AR		
ST2BN	Tuxedo Component Lounge™ Bench	251
ST2BQ		
ST2CL	Tuxedo Component Lounge™ Settee Corner	367
ST2CR		
ST2MN	Tuxedo Component Lounge™ Corner Sofa with Attached Settee	373
ST2MQ		
ST2NN	Tuxedo Component Lounge™ Settee	362
ST2NQ		
ST3AL	Tuxedo Component Lounge™ Sofa	357
ST3AN		
ST3AQ		
ST3AR		
ST3BN	Tuxedo Component Lounge™ Museum Bench	253
ST3BQ		
ST3CL	Tuxedo Component Lounge™ Sofa Corner	370
ST3CR		
ST3DN	Tuxedo Component Lounge™ Daybed	145
ST3DQ		
ST3MN	Tuxedo Component Lounge™ Corner Sofa with Attached Sofa	375
ST3MQ		
ST3NN	Tuxedo Component Lounge™ Sofa	357
ST3NQ		
STGP	Tuxedo Ganging Plate	414
SVMP	Leeway™ Metal Frame Side Chair	73
SVMUA		
SVMUW		
SVMWA		
SVMWW		
SVSPB	Leeway™ Stool	243
SVSPC		
SVSUA		
SVSUW		
SVSWA		
SVSWW		
SVV4A	Brabo Lounge Chair	181
SVV4W		
SVV5A	Brabo Settee	402
SVV5W		
SVV6A	Brabo Sofa	405
SVV6W		

SVWUA	Leeway™ Wood Side Chair	76
SVWUW		
SVWWA		
SVWWW		
SX1AL	Tuxedo Component Lounge with Table - One Seat	147
SX1AR		
SX1NL		
SX1NR		
SX2AL	Tuxedo Component Lounge with Table - Two Seats	152
SX2AR		
SX2CL		
SX2CR		
SX2NL		
SX2NR		
SZ1AB	Tuxedo Classic Club Chair	158
SZ2AB	Tuxedo Classic Settee	377
SZ2AL		
SZ2AN		
SZ2AR		
SZ2CL	Tuxedo Classic Corner Settee	383
SZ2CR		
SZ2ZL		
SZ2ZR		
SZ3AB	Tuxedo Classic Sofa	387
SZ3AL		
SZ3AN		
SZ3AR		
SZ3CL	Tuxedo Classic Corner Sofa	393
SZ3CR		
SZ3ZL		
SZ3ZR		
TE0204	Nelson® Thin Edge Double Dresser	540
TE1618	Nelson® Thin Edge Bedside Table	532
TE2100	Nelson® Thin Edge Chest	534
TE2167	Nelson® Thin Edge Buffet	538
TE3400	Nelson® Thin Edge Chest Cabinet	536
WA10A	Comma Chair with Arms	47
WA10N	Comma Chair, Armless	48
WA20N	Comma Counter Stool	226
WA30N	Comma Bar Stool	225



Index: Product Number



20-Day or Less/Assigned Lead-Time Order Information

20-Day or Less and Assigned Lead-Time Programs

20-day or less and assigned lead-time products are designed for established Herman Miller dealers with pre-approved credit.

Products are distributed from multiple manufacturing facilities across the United States. All products and options not designated by an Assigned Lead-Time icon  will ship in 20 business days or less after being acknowledged by Herman Miller. Products and options designated by an  are on the assigned lead-time program and will ship in 20 days, less than 20 days, or more than 20 days from order acknowledgement.

Ordering Procedure

Please place orders through Order Manager. If this is not available to you, place orders through mail or fax. Verbal purchase orders will not be accepted.

Order Entry fax number for Meridian®

Filing and Storage: (616) 846 9236.

Order Entry fax number for all other products:

(616) 654 3085.

For more information, contact your Customer Care representative at:
(866) 854 3048 ext 3400.

Shipments and Delivery

Per Herman Miller Terms and Conditions.

Changes and Cancellation

Per Herman Miller Terms and Conditions.

Stain-to-Match Program

Stain-to-Match Program

Program Overview

The Stain-to-Match program gives you the option of using veneer finishes that are not listed in the standard offering. The program allows Herman Miller to match a customer's existing recut or natural veneer, or create a new finish that is unique to an installation.

Specific information on approval, ordering, pricing, and warranty for the Stain-to-Match program is listed below. Questions and requests for assistance may be directed to Herman Miller Options at:

(800) 654 3910

Stain-to-Match Process

1. Fill out the Options Stain-to-Match Request Form and send along with a color sample (2" x 3" minimum) to the Herman Miller Options Applications Team at the address provided on the form. The form can be found on Omni.
2. Within 7-10 working days, Herman Miller Options will send a sample of the color-matched stain on Herman Miller veneer to the requester for the customer's signed approval.
3. If the sample meets the customer's approval, sign the reverse side of the sample, scan and email the approval to: options@hermanmiller.com.
4. After the stain has been approved, a formal quotation with special number and pricing can be provided, or the product can be specified through the Vary Easy program, if available. Work with the Options team on final product needs and how to specify.
5. A purchase order can then be placed.

Stain-to-Match Warranty

Herman Miller warrants its products to be free from defects in craftsmanship from the date of delivery for the applicable warranty period. Herman Miller is responsible for the physical properties of the veneers available through the Stain-to-Match program, which include:

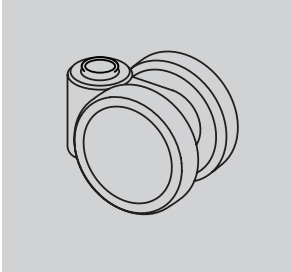
- STA: Stain-to-Match on Recut Ash
- STC: Stain-to-Match on Cherry
- STD: Stain-to-Match on Oak
- STK: Stain-to-Match on Reltech Anigre (Geiger)
- STP: Stain-to-Match on Maple
- STU: Stain-to-Match on Walnut (Geiger)

See your specification tool for product specific finish offering limitations.

Casters and Glides

▲	WARNING	▲
Depending on the floor surface, chair may unexpectedly roll away from user when entering or exiting the chair, possibly leading to unexpected injury. Please refer to descriptions of floor types when selecting casters.		

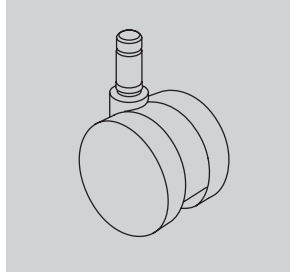
32 Caster



1⁷/₈-inch-diameter hard double-wheel caster; black nylon wheels and yoke; for use on carpet only

Applicable on:
Keyn Chairs
Sayl® Chairs

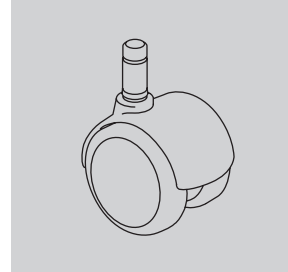
BB Caster



2¹/₂-inch-diameter hard double-wheel caster; black nylon wheels and yoke; for use on carpet only

Applicable on:
Asari Chair by Herman Miller™
New Aeron® Chairs
Caper® Chairs
Embody® Chairs
Equa 2® Chairs
Ergon 3® Chairs
Lino™ Chairs
Sayl Chairs
Mirra® 2 Chairs, Verus™ Chairs

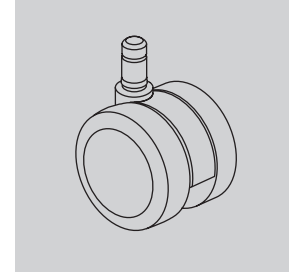
BSC Caster



2-inch-diameter double-wheel caster; black nylon wheels and hood; soft polyurethane tread; for use on hard floors or carpet

Applicable on:
Eames® Aluminum Group
Eames Executive Chairs
Eames Soft Pad Group
Eames Task Chairs

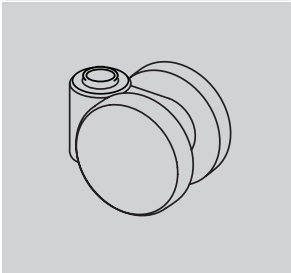
C9 Caster



2¹/₂-inch-diameter double-wheel caster; black nylon wheels and yoke; soft polyurethane tread; internal brake; for use on hard floors or carpet

Applicable on:
Caper Chairs
Embody Chairs
Equa 2 Chairs
Ergon 3 Chairs
Keyn Chairs
Lino Chairs
Mirra 2 Chairs
Sayl Chairs
Setu® Chairs
Verus Chairs

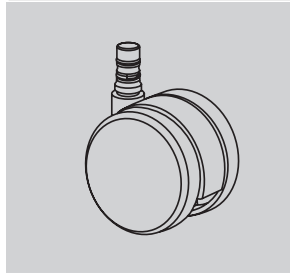
49 Caster



1⁷/₈-inch-diameter soft double-wheel caster; black nylon wheels and yoke; for use on hard floors or carpet

Applicable on:
Keyn Chairs
Sayl Chairs

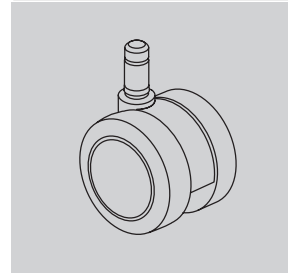
BKS Caster



2¹/₂-inch-diameter hard double-wheel caster; black yoke; quiet roll technology; for use on carpet only

Applicable on:
Cosm™ Chairs

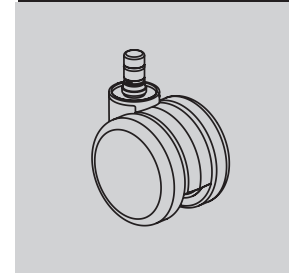
C7 Caster



2¹/₂-inch-diameter double-wheel caster; black nylon wheels and yoke; soft polyurethane tread; for use on hard floors or carpet

Applicable on:
Asari Chair by Herman Miller™
New Aeron Chairs
Caper Chairs
Embody Chairs
Equa 2 Chairs
Ergon 3 Chairs
Lino Chairs
Mirra 2 Chairs
Sayl Chairs
Verus Chairs

CSQ Caster



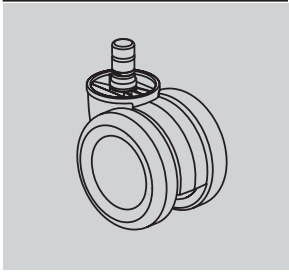
2¹/₂-inch-diameter double-wheel caster; color-matched nylon wheels and yoke; soft polyurethane tread; for use on hard floors or carpet

Applicable on:
Zeph™ Chairs

Casters and Glides

continued

DC1 Caster

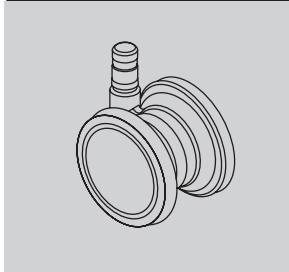


2¹/₂-inch-diameter double-wheel braking caster; black nylon wheels and yoke; for use on hard floors or carpet; quiet roll technology

Applicable on:

New Aeron Chairs

H9 Caster

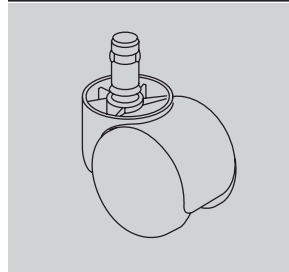


2¹/₂-inch-diameter double-wheel caster; clear polycarbonate wheels; nylon yoke; soft polyurethane tread; for use on carpet only

Applicable on:

Embody Chairs
Keyn Chairs

HW Caster

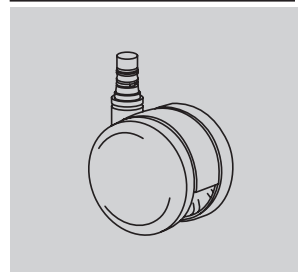


2-inch-diameter double-wheel caster; black nylon wheels and hood; for use on carpet only

Applicable on:

Limerick® Cart

O2 Caster

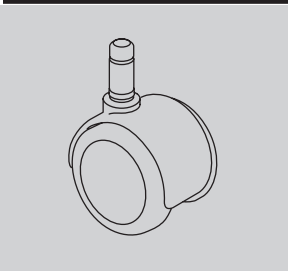


2¹/₂-inch-diameter double-wheel caster; nylon wheels and yoke; soft polyurethane tread; quiet roll technology; for use on hard floors or carpet

Applicable on:

Cosm Chairs

DS Caster

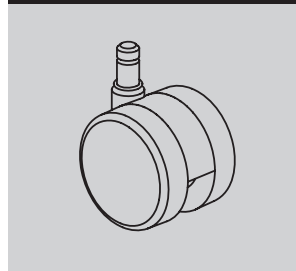


2-inch-diameter soft double-wheel braking caster; black nylon wheels and hood; for use on hard floors only

Applicable on:

Aside® Chairs
Caper Chairs

HCC Caster

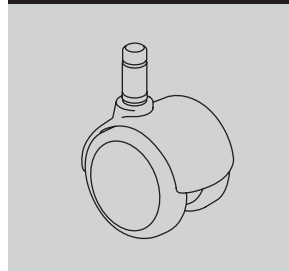


2¹/₂-inch-diameter double-wheel low roll resistance caster; black yoke; for use on hard floors or carpet

Applicable on:

Keyn Chairs
Setu Chairs

MD Caster



2-inch-diameter double-wheel caster; black nylon wheels with integral chrome hood; soft polyurethane tread; for use on hard floors or carpet

Applicable on:

Eames® Aluminum Group
Eames Executive Chairs
Eames Soft Pad Group
Eames Task Chairs

OC Caster



2¹/₂-inch-diameter double-wheel medium roll-resistant caster; black nylon wheels and yoke; soft polyurethane tread; for use on hard floors or carpet; quiet roll technology

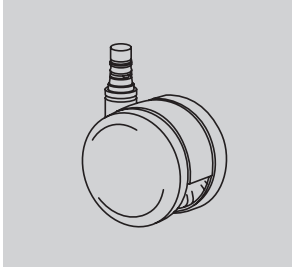
Applicable on:

Cosm Chairs
Keyn Chairs
Setu Chairs

Casters and Glides

continued

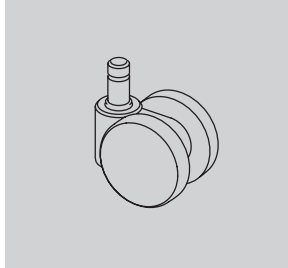
SC8 Caster



2¹/₂-inch-diameter double-wheel caster; black nylon wheels and yoke; soft polyurethane tread; quiet roll technology; for use on hard floors or carpet

Applicable on:
Cosm Chairs
Lino Chairs
Mirra 2 Chairs
Verus Chairs

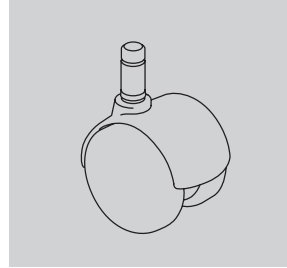
U4 Caster



1⁷/₈-inch-diameter hard double-wheel caster; black nylon wheels and yoke; for use on carpet only

Applicable on:
Aside Chairs
Verus Chairs

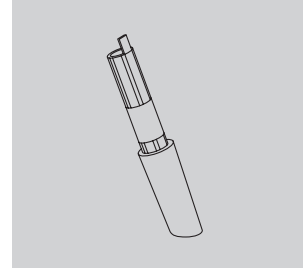
UD Caster



2-inch-diameter hard double-wheel caster; black nylon wheels with painted hood; for use on carpet only

Applicable on:
Eames® Aluminum Group
Eames Executive Chairs
Eames Soft Pad Group
Eames Task Chairs

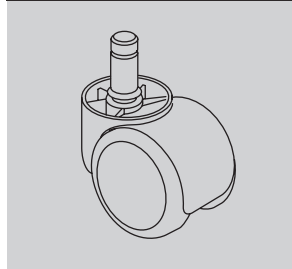
16 Glide



(Front glide shown)
2¹/₈-inch-high glide; black or fog acetal; for use on carpet only

Applicable on:
Sayl Chairs

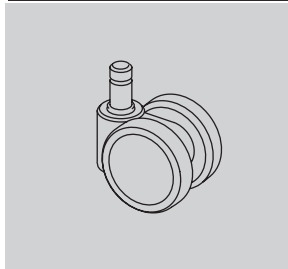
SW Caster



2-inch-diameter soft double-wheel caster; black nylon wheels and hood; for use on hard floors only

Applicable on:
Limerick Cart

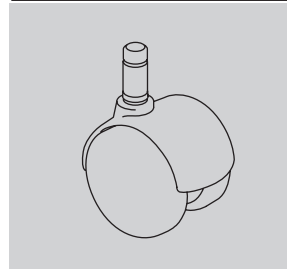
U5 Caster



1⁷/₈-inch-diameter soft double-wheel caster; black nylon wheels and yoke; for use on hard floors or carpet

Applicable on:
Aside Chairs
Caper Chairs
Verus Chairs

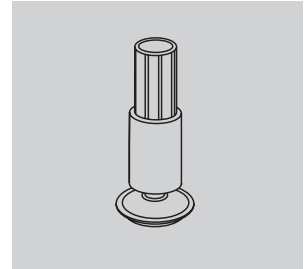
VD Caster



2-inch-diameter hard double-wheel caster; black nylon wheels with integral chrome hood; for use on carpet only

Applicable on:
Eames Aluminum Group
Eames Executive Chairs
Eames Soft Pad Group
Eames Task Chairs

69 Glide



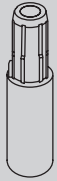
(Front glide shown)
2¹/₈-inch-high glide; black glass-filled nylon stem; steel-plated swivel foot with Floor Saver Glide™ insert; for use on hard floors only

Applicable on:
Sayl Chairs

Casters and Glides

continued

AGL Glide



2¹/₄-inch-high glide; black or white nylon stem; for use on carpet only

Applicable on:
Keyn Chairs

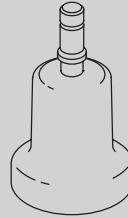
G4 Glide



1⁷/₈-inch-high glide; black acetal; for use on carpet only

Applicable on:
Verus Chairs

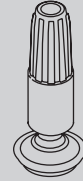
GF Glide



2¹/₂-inch-high glide; black nylon; for use on hard floors or carpet

Applicable on:
New Aeron Chairs
Caper Chairs
Cosm Chairs
Equa 2 Chairs
Ergon 3 Chairs
Lino Chairs
Mirra 2 Chairs
Sayl Chairs
Verus Chairs

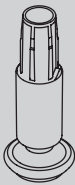
GL Glide



1⁷/₈-inch-high glide; black nylon stem; steel-plated swivel foot with Floor Saver Glide™ insert; for use on hard floors only

Applicable on:
Verus chairs

FSG Glide



2¹/₄-inch-high glide; black or white nylon stem; steel-plated swivel foot with Floor Saver Glide™ insert; for use on hard floors only

Applicable on:
Keyn Chairs

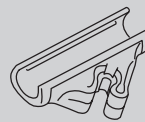
GD Glide



1¹/₂-inch-diameter glide; 1/2 inch in height; black nylon; for use on hard floors or carpet

Applicable on:
Eames Aluminum Group
Eames Executive Chairs
Eames Soft Pad Group
Eames Task Chairs

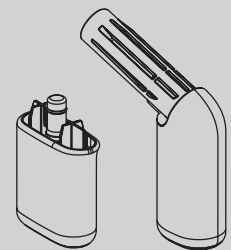
GG Glide



1/2-inch-high ganging glide; clear polycarbonate; for use on hard floors or carpet

Applicable on:
Limerick Chairs
Pronta Stacking Chairs

GLN Glide



Acetal glide; for use on carpet only

Applicable on:
Fuld Nesting Chair

Casters and Glides

continued



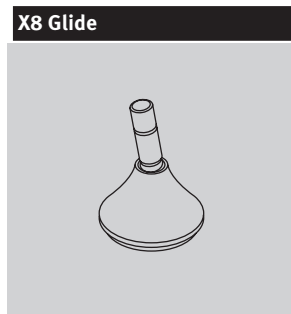
1/2-inch-high glide; black nylon glide with stainless-steel insert; for use on hard floors or carpet

Applicable on:
Aside Chairs



1/2-inch-high glide; black nylon; for use on carpet only

Applicable on:
Aside Chairs



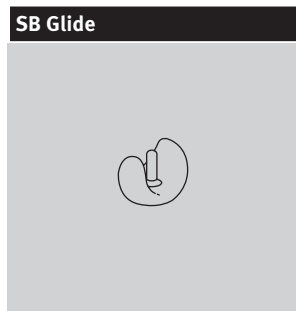
Glide; low profile; for use on hard floors or carpet

Applicable on:
Setu Chairs



17/8-inch-high glide; black acetal; for use on carpet only

Applicable on:
Caper Chairs



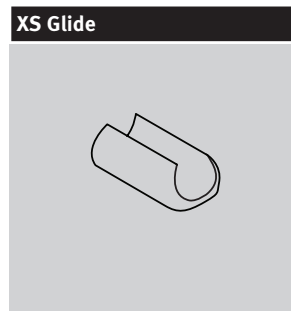
1/4-inch-high, 1-inch diameter glide; thermoplastic CAP material (G1 base has black glides; XT base has clear glides); for use on hard floors or carpet

Applicable on:
Equa 2 Chairs



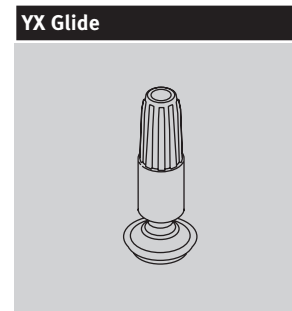
1/2-inch-high glide; clear polycarbonate; for use on hard floors or carpet

Applicable on:
Limerick Chairs
Pronta Stacking Chairs



1/8-inch-high glide; polycarbonate in black, fog, clear, and studio white finishes; for use on hard floors or carpet

Applicable on:
Sayl Chairs



17/8-inch-high glide; black nylon stem; steel-plated swivel foot with Floor Saver Glide™ insert; for use on hard floors only

Applicable on:
Caper Chairs



Customer's Own Material/Customer's Own Leather Order Information — Seating

Packaging

Packaging varies according to individual product. A surcharge may be added for special packaging requests. Contact Customer Care for specific information.

Customer's Own Material/Customer's Own Leather

Program Overview

The Customer's Own Material (COM) and Customer's Own Leather (COL) program gives you the option of using textiles other than those listed. Herman Miller will test textiles for application to Herman Miller products and will process orders for those with approved COM/COL textiles only. COM/COL are assigned lead-time textiles.

Omni lists an overview of fabrics and leathers that have been tested and indicates whether or not they were approved for application to Herman Miller products.

Specific information on the terms and conditions, testing, approval, and ordering process for COM/COL is listed below. Questions about the COM/COL program and requests for assistance may be directed to your COM representative at:

(616) 654 3400

(866) 854 3048 ext 6543400

Customer's Own Material/Customer's Own Leather Warranty

Herman Miller does not warrant COM/COL textiles. COM/COL textiles are tested for application only; they are not tested for performance. The Herman Miller warranty does apply to the underlying products.

Suppliers of COM/COL textiles are responsible for color consistency within commercial tolerances, UV stability, and resistance to soiling and perspiration.

Customer's Own Material/Customer's Own Leather Pricing

COM is a Category 1 fabric. There are no application charges for COM fabrics. COL is a Category 7 textile; refer to prices on specific products to determine the application charge.

Ordering and payment for COM/COL textile yardage are the responsibility of the customer and the textile supplier.

If desired, Herman Miller will purchase COM textiles directly from Maharam, Camira, C.F. Stinson, Guilford of Maine, Luna Textiles, Momentum Textiles and Ultrafabrics to simplify ordering and shipment. For this service, refer to the Supplier Connection program.

Textile Approval

1. Select a COM textile and a Herman Miller product.
2. If your textile does not show as tested in Omni, submit a request. You will be required to select a specific color of the textile and feature of the product to test, i.e., seat, back, etc.
3. Herman Miller will notify you of approval or disapproval within 4 days from receipt of the test yardage.

Ordering Products with COM/COL

1. Refer to the specific products to determine the yardage required for COM/COL textiles.
Note: Additional yardage may be needed due to the unique characteristics of a textile.
2. Obtain the COM ID# in Omni. If the color you are ordering does not have a COM ID# assigned, click "Create ID".
3. Enter your order on Order Manager in Omni.
4. Upon receipt of your purchase order, Herman Miller will send you a PO acknowledgment.
5. Arrangements must be made for the textiles to be shipped from the supplier to Herman Miller for application to the seating products. Textiles must be tagged with the assigned identification number and the roll yardage quantity. See Omni for shipping procedures and current shipping addresses or contact a COM representative at
(616) 654 3400 or (866) 854 3048 ext 6543400.

Products will be scheduled for production when COM/COL textiles are received at Herman Miller. Standard lead times in effect at that time will apply.

Note: If textiles are to be purchased directly by Herman Miller through the Supplier Connection program, Herman Miller will handle the ordering and shipping process and will schedule your order for production upon receipt of your purchase order (dependent on textile availability). Refer to the Supplier Connection program for more information.

Customer's Own Material/Customer's Own Leather Order Information — Seating

continued

Supplier Connection

Program Overview

The Supplier Connection program is a service offered by Herman Miller to purchase approved COM textiles directly from Maharam, Camira, C.F. Stinson, Guilford of Maine, Luna Textiles, Momentum Textiles and Ultrafabrics. When you select a textile through this program, Herman Miller will facilitate the ordering, scheduling, and shipment of the textile directly with the supplier.

Suppliers included in the Supplier Connection program keep an active inventory of textiles that are pre-approved for application to Herman Miller products. Pre-approval applies only to the suitability of a textile for manufacturing and application to a Herman Miller product. Omni provides an overview of fabrics that have been tested and indicates whether or not they were approved for application to Herman Miller products.

Specific information on the terms and conditions, testing, approval, and ordering process for the Supplier Connection program is listed below. Questions and requests for assistance may be directed to your COM representative at:

(616) 654 3400

(866) 854 3048 ext 6543400

Supplier Connection Warranty

Textiles purchased by Herman Miller through the Supplier Connection program are COM and are not warranted by Herman Miller. COM textiles are tested for application only; they are not tested for performance. The Herman Miller warranty does apply to the underlying products.

Suppliers of COM textiles are responsible for color consistency within commercial tolerances, UV stability, and resistance to soiling and perspiration.

Supplier Connection Pricing

Textiles purchased by Herman Miller through the Supplier Connection program are COM. COM is a Category 1 fabric. There are no application charges for COM fabrics.

Payment for textiles purchased by Herman Miller through the Supplier Connection program is the responsibility of the customer or dealer. Herman Miller will invoice the order at a total product cost based on the supplier's price published at the time of the order.

Textile Approval

1. Select a COM textile and a Herman Miller product.
2. If your textile does not show as tested in Omni, submit a request. You will be required to select a specific color of the textile and feature of the product to test, i.e., seat, back, etc.
3. Herman Miller will notify you of approval or disapproval within 4 days from receipt of the test yardage.

Ordering Products with Supplier Connection COM

1. Identify and include the following information on your purchase order:
 - Product number and option
 - Herman Miller's COM identification number
2. Enter your order on Order Manager in Omni.
3. Upon receipt of the purchase order, Herman Miller will process your order and send you a PO acknowledgment. Herman Miller will determine the yardage required to produce your product and will order and schedule for delivery the required textile. Standard lead times in effect at the time the textile is allocated at the supplier will apply to products ordered through this program.

Proprietary Textiles Application Chart – Ancillary Seating, HermanMiller

• Available

[A] Assigned lead-time textile.
See below for exception notes.

[N] Non-woven textile.

* Available in select colors on 20-day lead-time. Refer to “Proprietary Textile Colors - Ancillary Seating”.

	Betwixt Seating	Bevel Sofa Group	Bolster Sofa Group	Chadwick Modular Seating	ColourForm Sofa Group	Eames® Aluminum Group Outdoor	Eames Aluminum Group Chairs/Ottomans	Eames Executive Chairs	Eames Lounge Chairs/Ottomans	Eames Molded Fiberglass/Plastic/Wood Chairs Upholstered Seat Pad	Eames Molded Fiberglass/Plastic Chairs Upholstered	Eames Molded Plywood Chair Upholstered	Eames Sofa, 2 and 3 Seat	Eames Sofa Compact	Eames Soft Pad Chairs	Eames Task Chair	Eames Wire Seating Upholstered Seat Pad	Eames Wire Seating Upholstered Seat and Back	Lispenard Sofa Group	Luva Sofa Group	Nelson™ Daybed Cushion/Bolsters	Nelson Marshmallow Sofa	Nelson Pedestal Stool	Nelson Platform Bench Cushion	Portrait™ Chair	Striad Lounge Seating	Wilkes Modular Sofa Group	Wireframe™ Sofa Group	
Price Category 1																													
COM Customer's Own Material [A]	1	1	1	1			1	1		1	1	1	13	13	1		1		1			1	1	1	1	1	1	1	1
3DE__ Dex		•	•							•	•	•	13									•	•	•	•	•	•	•	•
95__ Gem								•			•	•	13	•								•	•	•	•	•	•	•	•
1MN__ Monologue		•	•				•	•			•	•	13						•				•	•	•	•	•	•	•
4SC__ Scatter							•	•		•	•	•		•		•						•	•	•	•	•	•	•	•
3DN__ Scribe	•	•	•				•	•		•	•	•			•							•	•	•	•	•	•	•	•
235__ Tailored													13	•									•	•	•	•	•	•	•
1WS__ Whisper		•	•	•								•			•								•	•	•	•	•	•	•
Price Category 2																													
3AR__ Aristo		•	•							•	•	•	13						•				•	•	•	•	•	•	•
1DB__ Canon - Geiger Textile										•	•	•	13				•					•	•	•	•	•	•	•	•
92__ Crepe							•	•		•	•	•	13	•	•	•					•	•	•	•	•	•	•	•	•
3EP__ Epic		•	•							•	•	•	13										•	•	•	•	•	•	•
1DA__ Even - Geiger Textile										•	•	•	13				•						•	•	•	•	•	•	•
1MV__ Marvel [N]		•	•																		•		•	•	•	•	•	•	•
1HA__ Medley	•	•	•	•			•	•		•	•	•	13	•	•	•				•		•	•	•	•	•	•	•	•
4ME__ Mellow			•							•	•	•	13				•					•	•	•	•	•	•	•	•
30__ Rhythm											•	•										•	•	•	•	•	•	•	•
3SL__ Sequel [N]							•	•		•	•	•	13	•	•	•					•	•	•	•	•	•	16	•	•
4TE__ Terra		•	•					•	•	•	•	•	13				•					•	•	•	•	•	•	•	•
8R__ Twist							•	•			•	•	13	•								•	•	•	•	•	•	•	•
Price Category 3																													
3AC__ Ace [N]		•	•				•	•		•	•	•	13	•					•				•	•	•	•	•	•	•
216__ Cambrai - Geiger Textile		•	•	•				•		•	•	•	13	•					•				•	•	•	•	•	•	•
ZM2__ Meld - Maharam [A] *		•	•							•	•	•	13								•	•	•	•	•	•	•	•	•
198__ Pinpoint - Geiger Textile		•	•								•	•	13						•				•	•	•	•	•	•	•
180__ Saille - Geiger Textile		•	•	•				•			•	•	13	5					•				•	•	•	•	•	•	•
Price Category 4																													
1GM__ Antico - Geiger Textile [N]		•	•				•	•		•	•	•	13	•		•			•				•	•	•	•	•	•	•
54__ Cygnus™							7																						
3DM__ Daydream								•		•	•	•	13		•	•						•	•	•	•	•	•	•	•
1AF__ Fringe - Geiger Textile		•	•										13									•	•	•	•	•	•	•	•
177__ Granno - Geiger Textile [N]										•	•	•	13	•		•							•	•	•	•	•	•	•
1AT__ Irregular Grid - Geiger Textile		•	•									•	13									•	•	•	•	•	•	•	•
1AL__ Kalista - Geiger Textile		•	•					•	•				13	•								•	•	•	•	•	•	•	•
1MH__ Micro Houndstooth - Geiger Textile		•	•																			•	•	•	•	•	•	•	•
1AU__ Piccolo - Geiger Textile		•	•									•												•	•	•	•	•	•
197__ Ottoman - Geiger Textile	•	•	•					•			•	•	13								•	•	•	•	•	•	•	•	•
3SY__ Sync				•				•		•	•	•	13	•	•	•						•	•	•	•	•	•	•	•

continued on next page

Proprietary Textiles Application Chart — Ancillary Seating, HermanMiller

continued

• Available

A Assigned lead-time textile.
See below for exception notes.

Appendix: Proprietary Textiles Application Chart — Ancillary Seating, HermanMiller

	Betwixt Seating	Bevel Sofa Group	Bolster Sofa Group	Chadwick Modular Seating	ColourForm Sofa Group	Eames® Aluminum Group Outdoor	Eames Aluminum Group Chairs/Ottomans	Eames Executive Chairs	Eames Lounge Chairs/Ottomans	Eames Molded Fiberglass/Plastic/Wood Chairs Upholstered Seat Pad	Eames Molded Fiberglass/Plastic Chairs Upholstered	Eames Molded Plywood Chair Upholstered	Eames Sofa, 2 and 3 Seat	Eames Sofa Compact	Eames Soft Pad Chairs	Eames Task Chair	Eames Wire Seating Upholstered Seat Pad	Eames Wire Seating Upholstered Seat and Back	Lispensard Sofa Group	Luva Sofa Group	Nelson™ Daybed Cushion/Bolsters	Nelson Marshmallow Sofa	Nelson Pedestal Stool	Nelson Platform Bench Cushion	Portrait™ Chair	Striad Lounge Seating	Wilkes Modular Sofa Group	Wireframe™ Sofa Group		
Price Category 5																														
1GA__ Bouclé - Geiger Textile	•	•	•			•							•	13						•					•	•	•	•	•	•
1DD__ Cheswick - Geiger Textile	•						•			•				13		•	•							•	•	•	•	•	•	
1GV__ Claremont - Geiger Textile							•			•				13		•	•							•	•	•			•	
3CY__ Cozy		•	•	•			•			•	•			13	•	•	•			•	•					•	•	•	•	
1JA__ Envie - Geiger Textile							•			•				13		•	•							•	•	•	•	•	•	
168__ Essential Twill - Geiger Textile		•	•																•					•	•				•	
1GE__ Harlow - Geiger Textile							•	•		•				13	•		•						•	•	•	•			•	
193__ Herringbone - Geiger Textile														13															•	
14A__ Hopsak		•	•	•	•		•			•	•			13		•	•	•	•	•		•	•	•	•	•	•	•	•	
1DC__ Houndstooth Check - Geiger Textile																•	•												•	
1GH__ Ingenuie - Geiger Textile	•						•	•		•				13		•	•						•	•	•	•	•	•	•	
1AS__ Iota - Geiger Textile		•	•							•				13										•	•	•	•	•	•	
195__ Iron Cloth - Geiger Textile																														
1DK__ Lona del Sol - Geiger Textile		•	•																•				•	•					•	
3SU__ Summit [N]							•	•		•				13	•		•						•	•	•	•	•	•	•	
174__ Vavare - Geiger Textile		•	•											13									•	•	•	•	•	•	•	
1GJ__ Vionette - Geiger Textile							•			•				13		•	•					•	•	•	•	•	•	•	•	
Price Category 6																														
165__ Classic Velvet - Geiger Textile		•	•											13						•				•						
1AM__ Gridwork - Geiger Textile		•	•											13										•	•				•	
1DM__ Matiz - Geiger Textile		•	•											13		•	•						•	•	•	•			•	
72__ Outdoor Weave						•																								
1GF__ Overture - Geiger Textile							•	•		•				13	•		•						•	•	•	•	•	•	•	
1AJ__ Sommar - Geiger Textile		•	•				•	•		•				13	•								•	•	•	•	•	•	•	
200__ Tattersall Reverse - Geiger Textile		•	•					•						13									•	•	•	•	•	•	•	
1DJ__ Toluca Ikat - Geiger Textile		•	•							•						•	•						•	•	•	•	•	•	•	

continued on next page

Proprietary Textiles Application Chart – Ancillary Seating, HermanMiller

continued

- Available

[A] Assigned lead-time textile.
See below for exception notes.

[N] Non-woven textile.

	Betwixt Seating	Bevel Sofa Group	Bolster Sofa Group	Chadwick Modular Seating	ColourForm Sofa Group	Eames® Aluminum Group Outdoor	Eames Aluminum Group Chairs/Ottomans	Eames Executive Chairs	Eames Lounge Chairs/Ottomans	Eames Molded Fiberglass/Plastic/Wood Chairs Upholstered Seat Pad	Eames Molded Fiberglass/Plastic Chairs Upholstered	Eames Molded Plywood Chair Upholstered	Eames Sofa, 2 and 3 Seat	Eames Sofa Compact	Eames Soft Pad Chairs	Eames Task Chair	Eames Wire Seating Upholstered Seat Pad	Eames Wire Seating Upholstered Seat and Back	Lispemard Sofa Group	Luva Sofa Group	Nelson™ Daybed Cushion/Bolsters	Nelson Marshmallow Sofa	Nelson Pedestal Stool	Nelson Platform Bench Cushion	Portrait™ Chair	Striad Lounge Seating	Wilkes Modular Sofa Group	Wireframe™ Sofa Group	
Price Category 7																													
COL Customer's Own Leather [A]	1	1	1				1	1	1	1	1	1	1		1		1		1			1	1	1	1	1	1	1	1
1GR_ Amenia - Geiger Textile	•									•		•		13		•	•						•	•	•	•	•	•	•
1AX_ Bellano - Geiger Textile	•	•	•					•		•		•	•	13	•								•	•	•	•	•	•	•
172_ Capri - Geiger Textile	•	•	•	•			•	•		•		•		13			•							•	•	•	•	•	•
1GW_ Dorset - Geiger Textile	•							•		•		•		13		•	•						•	•	•	•	•	•	•
220_ Double Beam Redux - Geiger Textile		•	•				•	•		•		•		13	•									•	•	•	•	•	•
1GC_ Epinglé - Geiger Textile		•	•				•					•	•	13															•
1GU_ Graphton - Geiger Textile								•		•		•		13		•	•						•	•	•	•	•	•	•
171_ Milaner - Geiger Textile		•	•					•	•				•	13										•	•	•	•	•	•
1AN_ Pantile - Geiger Textile		•	•									•		13										•	•	•	•	•	•
1AV_ Panno di Dolce - Geiger Textile	•	•	•							•		•		13	•								•	•	•	•	•	•	•
1JC_ Pristina - Geiger Textile										•		•		13		•	•	•						•	•	•	•	•	•
1JD_ Renata - Geiger Textile										•		•			•	•	•							•	•	•	•	•	•
1AW_ Resca - Geiger Textile		•	•					•		•		•		13	•								•	•	•	•	•	•	•
163_ Sateen Weave - Geiger Textile		•	•	•										13									•						•
224_ True Herringbone - Geiger Textile		•	•									•		13										•	•	•	•	•	•
169_ Twill Plaid - Geiger Textile		•	•							•				13									•	•	•	•	•	•	•
217_ Vesture - Geiger Textile		•	•																						•	•			•
162_ Wool Epinglé - Geiger Textile																									•	•			•
166_ Wool Tweed - Geiger Textile		•	•	•				•		•		•		13									•	•	•	•	•	•	•
Price Category 8																													
1GS_ Allusion - Geiger Textile		•	•																			•							•
187_ Basketweave - Geiger Textile	•																												•
1GT_ Foot Hills - Geiger Textile										•		•				•	•						•	•	•	•	•	•	•
1SE_ Semplice Leather - Geiger Textile [N]							•			•		•			•		•										•		•
161_ Staple - Geiger Textile																													•
1GK_ Starlet - Geiger Textile		•	•							•		•		13		•	•							•	•	•	•	•	•
1AY_ Striscia - Geiger Textile										•		•		13									•	•					•
9DA_ Whim																						•							•
Price Category 9																													
185_ Alpaca Mohair - Geiger Textile		•	•																					•					•
223_ Corded Stripe - Geiger Textile		•	•																										•
21_ Leather [N]	•	•	•				•	•	•	•	•	•	•	•	•	•	•	•	•	•	•	•	•	•	•	•	•	•	•
Price Category 10																													
5-5_ Bristol Leather - Geiger Textile (5-6_) [N]		•	•				•	•	•	•	•	•	•	•	•	•	•	•	•	•	•	•	•	•	•	•	•	•	•
Price Category 11																													
175_ Tenera Leather - Geiger Textile [N]	•	•	•					•	•			•											•	•	•	•	•	•	•

1 Refer to price book appendices and Omni for COM/COL information. 13 Fabric is railroaded.
 5 Not available in Saille 18005 White on Eames Soft Pad Group Chairs/Ottomans. 16 Not available on Striad Settee, Sofa, Corner, and Curve.
 7 Available only on Eames Aluminum Group Chair EA334, EA335.



Proprietary Textiles Application Chart – Ancillary Seating, Geiger

• Available

[A] Assigned lead-time textile.
See below for exception notes.

[N] Non-woven textile.

* Available in select colors on 20-day lead-time. Refer to “Proprietary Textile Colors - Ancillary Seating”.

	Brabo™ Lounge Seating	Bumper™ Seating	Crosshatch™ Lounge Seating	Crosshatch Side Chair	Envelope™ Chair	Full Twist™ Chair	Landmark™ Chair	Leeway™ Seating	Nessel™ Chair	Reframe™ Lounge Seating High-Back Chair	Reframe Lounge Seating Mid-Back Chair	Reframe Lounge Seating Wing-Back Chair	Rolled Arm™ Sofa Group	Saiba™ Seating	Scissor™ Chair	Sled™ Chair	Taper™ Chair	Mantle Lounge Seating	Tuxedo Component Lounge™ /Tuxedo Classic Seating—Non-quilted	Tuxedo Component Lounge/Tuxedo Classic Seating—Quilted	U-Series Lounge Seating
Price Category 1																					
COM Customer’s Own Material [A]	1	1	1	1	1	1	1	1	1	1	1	1	1	1	1	1	1	1	1	1	1
3DE__Dex	•	•	•	•	•	•	•	•	•	•	•	•	•	•	•	•	•	•	•	•	•
95__Gem	•	•	•	•	•	•	•	•	•	•	•	•	•	•	•	•	•	•	•	•	•
1MN__Monologue	•	•	•	•	•	•	•	•	•	•	•	•	•	•	•	•	•	•	•	•	•
4SC__Scatter	•	•	•	•	•	•	•	•	•	•	•	•	•	•	•	•	•	•	•	•	•
235__Tailored	•	•	•	•	•	•	•	•	•	•	•	•	•	•	•	•	•	•	•	•	•
1WS__Whisper	•	•	•	•	•	•	•	•	•	•	•	•	•	•	•	•	•	•	•	•	•
Price Category 2																					
3AR__Aristo	•	•	•	•	•	•	•	•	•	•	•	•	•	•	•	•	•	•	•	•	•
1DB__Canon - Geiger Textile	•	•	•	•	•	•	•	•	•	•	•	•	•	•	•	•	•	•	•	•	•
92__Crepe	•	•	•	•	•	•	•	•	•	•	•	•	•	•	•	•	•	•	•	•	•
3EP__Epic	•	•	•	•	•	•	•	•	•	•	•	•	•	•	•	•	•	•	•	•	•
1DA__Even - Geiger Textile	•	•	•	•	•	•	•	•	•	•	•	•	•	•	•	•	•	•	•	•	•
1MV__Marvel [N]	•	•	•	•	•	•	•	•	•	•	•	•	•	•	•	•	•	•	•	•	•
1HA__Medley	•	•	•	•	•	•	•	•	•	•	•	•	•	•	•	•	•	•	•	•	•
4ME__Mellow	•	•	•	•	•	•	•	•	•	•	•	•	•	•	•	•	•	•	•	•	•
3A__Moiré	•	•	•	•	•	•	•	•	•	•	•	•	•	•	•	•	•	•	•	•	•
30__Rhythm	•	•	•	•	•	•	•	•	•	•	•	•	•	•	•	•	•	•	•	•	•
3SL__Sequel [N]	•	•	•	•	•	•	•	•	•	•	•	•	•	•	•	•	•	•	•	•	•
4TE__Terra	•	•	•	•	•	•	•	•	•	•	•	•	•	•	•	•	•	•	•	•	•
8R__Twist	•	•	•	•	•	•	•	•	•	•	•	•	•	•	•	•	•	•	•	•	•
Price Category 3																					
3AC__Ace [N]	•	•	•	•	•	•	•	•	•	•	•	•	•	•	•	•	•	•	•	•	•
216__Cambrai - Geiger Textile	•	•	•	•	•	•	•	•	•	•	•	•	•	•	•	•	•	•	•	•	•
ZM2__Meld - Maharam [A] *	•	•	•	•	•	•	•	•	•	•	•	•	•	•	•	•	•	•	•	•	•
198__Pinpoint - Geiger Textile	•	•	•	•	•	•	•	•	•	•	•	•	•	•	•	•	•	•	•	•	•
180__Saille - Geiger Textile	•	•	•	•	•	•	•	•	•	•	•	•	•	•	•	•	•	•	•	•	•
Price Category 4																					
1GM__Antico - Geiger Textile [N]	•	•	•	•	•	•	•	•	•	•	•	•	•	•	•	•	•	•	•	•	•
54__Cygnus™	•	•	•	•	•	•	•	•	•	•	•	•	•	•	•	•	•	•	•	•	•
3DM__Daydream	•	•	•	•	•	•	•	•	•	•	•	•	•	•	•	•	•	•	•	•	•
1AF__Fringe - Geiger Textile	•	•	•	•	•	•	•	•	•	•	•	•	•	•	•	•	•	•	•	•	•
177__Granno - Geiger Textile [N]	•	•	•	•	•	•	•	•	•	•	•	•	•	•	•	•	•	•	•	•	•
1AT__Irregular Grid - Geiger Textile	•	•	•	•	•	•	•	•	•	•	•	•	•	•	•	•	•	•	•	•	•
1AL__Kalista - Geiger Textile	•	•	•	•	•	•	•	•	•	•	•	•	•	•	•	•	•	•	•	•	•
1AU__Piccolo - Geiger Textile	•	•	•	•	•	•	•	•	•	•	•	•	•	•	•	•	•	•	•	•	•
197__Ottoman - Geiger Textile	•	•	•	•	•	•	•	•	•	•	•	•	•	•	•	•	•	•	•	•	•
3SY__Sync	•	•	•	•	•	•	•	•	•	•	•	•	•	•	•	•	•	•	•	•	•

continued on next page

Proprietary Textiles Application Chart — Ancillary Seating, Geiger

continued

• Available

[A] Assigned lead-time textile.

See below for exception notes.

Appendix: Proprietary Textiles Application Chart — Ancillary Seating, Geiger

	Brabo™ Lounge Seating	Bumpel™ Seating	Crosshatch™ Lounge Seating	Crosshatch Side Chair	Envelope™ Chair	Full Twist™ Chair	Landmark™ Chair	Leeway™ Seating	Nessel™ Chair	Reframe™ Lounge Seating High-Back Chair	Reframe Lounge Seating Mid-Back Chair	Reframe Lounge Seating Wing-Back Chair	Rolled Arm™ Sofa Group	Saiba™ Seating	Scissor™ Chair	Sled™ Chair	Taper™ Chair	Mantle Lounge Seating	Tuxedo Component Lounge™/Tuxedo Classic Seating—Non-quilted	Tuxedo Component Lounge/Tuxedo Classic Seating—Quilted	U-Series Lounge Seating
Price Category 5																					
1GA__ Bouclé - Geiger Textile	•	•	•	•	•	•	•	•	•	•	•	•	•	•	•	•	•	•	•	•	•
1DD__ Cheswick - Geiger Textile	•	•	•	•	•	•	•	•	•	•	•	•	•	•	•	•	•	•	•	•	•
1GV__ Claremont - Geiger Textile	•	•	•	•	•	•	•	•	•	•	•	•	•	•	•	•	•	•	•	•	•
3CY__ Cozy	•	•	•	•	•	•	•	•	•	•	•	•	•	•	•	•	•	•	•	•	•
1JA__ Envie - Geiger Textile	•	•	•	•	•	•	•	•	•	•	•	•	•	•	•	•	•	•	•	•	•
168__ Essential Twill - Geiger Textile	•	•	•	•	•	•	•	•	•	•	•	•	•	•	•	•	•	•	•	•	•
1GE__ Harlow - Geiger Textile	•	•	•	•	•	•	•	•	•	•	•	•	•	•	•	•	•	•	•	•	•
193__ Herringbone - Geiger Textile	•	•	•	•	•	•	•	•	•	•	•	•	•	•	•	•	•	•	•	•	•
14A__ Hopsak	•	•	•	•	•	•	•	•	•	•	•	•	•	•	•	•	•	•	•	•	•
1DC__ Houndstooth Check - Geiger Textile	•	•	•	•	•	•	•	•	•	•	•	•	•	•	•	•	•	•	2	2	•
1GH__ Ingenue - Geiger Textile	•	•	•	•	•	•	•	•	•	•	•	•	•	•	•	•	•	•	•	•	•
1AS__ Iota - Geiger Textile	•	•	•	•	•	•	•	•	•	•	•	•	•	•	•	•	•	•	•	•	•
195__ Iron Cloth - Geiger Textile	•	•	•	•	•	•	•	•	•	•	•	•	•	•	•	•	•	•	•	•	•
1DK__ Lona del Sol - Geiger Textile	•	•	•	•	•	•	•	•	•	•	•	•	•	•	•	•	•	•	•	•	•
3SU__ Summit [N]	•	•	•	•	•	•	•	•	•	•	•	•	•	•	•	•	•	•	•	•	•
174__ Vavare - Geiger Textile	•	•	•	•	•	•	•	•	•	•	•	•	•	•	•	•	•	•	•	•	•
1GJ__ Vionette - Geiger Textile	•	•	•	•	•	•	•	•	•	•	•	•	•	•	•	•	•	•	•	•	•
Price Category 6																					
165__ Classic Velvet - Geiger Textile	•	•	•	•	•	•	•	•	•	•	•	•	•	•	•	•	•	•	•	•	•
1AM__ Gridwork - Geiger Textile	•	•	•	•	•	•	•	•	•	•	•	•	•	•	•	•	•	•	•	•	•
1DM__ Matiz - Geiger Textile	•	•	•	•	•	•	•	•	•	•	•	•	•	•	•	•	•	•	•	•	•
72__ Outdoor Weave	•	•	•	•	•	•	•	•	•	•	•	•	•	•	•	•	•	•	•	•	•
1GF__ Overture - Geiger Textile	•	•	•	•	•	•	•	•	•	•	•	•	•	•	•	•	•	•	•	•	•
1AJ__ Sommar - Geiger Textile	•	•	•	•	•	•	•	•	•	•	•	•	•	•	•	•	•	•	•	•	•
200__ Tattersall Reverse - Geiger Textile	•	•	•	•	•	•	•	•	•	•	•	•	•	•	•	•	•	•	•	•	•
1DJ__ Toluca Ikat - Geiger Textile	•	•	•	•	•	•	•	•	•	•	•	•	•	•	•	•	•	•	•	•	•

continued on next page

Proprietary Textiles Application Chart – Ancillary Seating, Geiger

• Available

[A] Assigned lead-time textile.
See below for exception notes.

[N] Non-woven textile.

	Brabo™ Lounge Seating	Bumper™ Seating	Crosshatch™ Lounge Seating	Crosshatch Side Chair	Envelope™ Chair	Full Twist™ Chair	Landmark™ Chair	Leeway™ Seating	Nessel™ Chair	Reframe™ Lounge Seating High-Back Chair	Reframe Lounge Seating Mid-Back Chair	Reframe Lounge Seating Wing-Back Chair	Rolled Arm™ Sofa Group	Saiba™ Seating	Scissor™ Chair	Sled™ Chair	Taper™ Chair	Mantle Lounge Seating	Tuxedo Component Lounge™/Tuxedo Classic Seating—Non-quilted	Tuxedo Component Lounge/Tuxedo Classic Seating—Quilted	U-Series Lounge Seating
Price Category 7																					
COL Customer's Own Leather [A]	1																		1		
1GX__Amenia - Geiger Textile	•	•	•		•	•	•	•	•					•	•	•	•	•	•	•	•
1AX__Bellano - Geiger Textile	•	•	•		•	•	•	•	•					•	•	•	•	•	•	•	•
172__Capri - Geiger Textile	•	•	•	•		•	•	•	•					•	•	•	•	•	•	•	•
1GW__Dorset - Geiger Textile	•	•	•		•	•	•	•	•					•	•	•	•	•	•	•	•
220__Double Beam Redux - Geiger Textile	•	•	•	•	•	•	•	•	•					•	•	•	•	•	•	•	•
1GC__Epinglé - Geiger Textile	•	•	•		•	•	•	•	•					•	•	•	•	•	•	•	•
1GU__Graphon - Geiger Textile	•	•	•		•	•	•	•	•					•	•	•	•	•	•	•	•
171__Milaner - Geiger Textile	•	•	•	•		•	•	•	•					•	•	•	•	•	•	•	•
1AN__Pantile - Geiger Textile	•	•	•		•	•	•	•	•					•	•	•	•	•	•	•	•
1AV__Panno di Dolce - Geiger Textile	•	•	•		•	•	•	•	•					•	•	•	•	•	•	•	•
1JC__Pristina - Geiger Textile	•	•	•	•	•	•	•	•	•					•	•	•	•	•	•	•	•
1JD__Renata - Geiger Textile	•	•	•	•	•	•	•	•	•					•	•	•	•	•	•	•	•
1AW__Resca - Geiger Textile	•	•	•	•	•	•	•	•	•					•	•	•	•	•	•	•	•
163__Sateen Weave - Geiger Textile	•	•	•		•	•	•	•	•					•	•	•	•	•	•	•	•
224__True Herringbone - Geiger Textile	•	•	•	•	•	•	•	•	•					•	•	•	•	•	•	•	•
169__Twill Plaid - Geiger Textile	•	•	•		•	•	•	•	•					•	•	•	•	•	•	•	•
217__Vesture - Geiger Textile	•	•	•		•	•	•	•	•					•	•	•	•	•	•	•	•
162__Wool Epinglé - Geiger Textile	•	•	•		•	•	•	•	•					•	•	•	•	•	•	•	•
202__Wool Satin - Geiger Textile	•	•	•	•	•	•	•	•	•					•	•	•	•	•	•	•	•
166__Wool Tweed - Geiger Textile	•	•	•		•	•	•	•	•					•	•	•	•	•	•	•	•
Price Category 8																					
1GS__Allusion - Geiger Textile	•	•	•		•	•	•	•	•					•	•	•	•	•	•	•	•
187__Basketweave - Geiger Textile	•	•	•	•	•	•	•	•	•					•	•	•	•	•	•	•	•
1GT__Foot Hills - Geiger Textile	•	•	•		•	•	•	•	•					•	•	•	•	•	•	•	•
1SE__Semplice Leather - Geiger Textile [N]	•	•	•	•	•	•	•	•	•					•	•	•	•	•	•	•	•
161__Staple - Geiger Textile	•	•	•		•	•	•	•	•					•	•	•	•	•	•	•	•
1GK__Starlet - Geiger Textile	•	•	•	•	•	•	•	•	•					•	•	•	•	•	•	•	•
1AY__Striscia - Geiger Textile	•	•	•		•	•	•	•	•					•	•	•	•	•	•	•	•
Price Category 9																					
185__Alpaca Mohair - Geiger Textile			•		•	•	•								•	•					
223__Corded Stripe - Geiger Textile	•	•	•	•	•	•	•								•	•				•	
21__Leather [N]	•	•	•	•	•	•	•	•	•	•	•	•	•	•	•	•	•	•	•	•	•
Price Category 10																					
5-5__Bristol Leather - Geiger Textile (5-6__) [N]	•	•	•	•	•	•	•	•	•	•	•	•	•	•	3	•	•	•	•	•	•
Price Category 11																					
175__Tenera Leather - Geiger Textile [N]	•	•	•	•	•	•	•	•	•	•	•	•	•	•	•	•	•	•	•	•	•

Appendix: Proprietary Textiles Application Chart – Ancillary Seating, Geiger

1 Refer to Price Book appendices and Omni for COM/COL information.
 2 Not available on quilted versions.
 3 Not available in Bristol Leather 5-597 Pure on Saiba Chair.



Proprietary Textile Colors — Ancillary Seating

Price Category 1

Customer's Own Material
See Order Information in Appendices. Assigned lead-time textile. [A](#)

Dex
54" wide
50% recycled polyester
50% polyester
3DE01 Frost
3DE02 Silver Pine
3DE03 Stone
3DE04 Shale
3DE05 Charcoal

Gem
54" wide
100% antimony-free polyester
9502 Tangerine
9503 Red
9507 Twilight
9508 Bayou
9510 Berry Blue
9511 Aqua Green
9512 Green Apple
9514 Black
9515 Slate Grey
9516 Fog

Monologue
54" wide
56% recycled polyester
44% polyester
1MN01 Linen
1MN02 Alabaster
1MN03 Truffle
1MN04 Folkstone
1MN05 Silver Pine
1MN06 Slate
1MN07 Seed
1MN08 Yellow Oxide
1MN09 Persimmon
1MN10 Tundra
1MN11 Meadow
1MN12 Blue Sky
1MN13 Blue Spruce
1MN14 Deep Sea

Scatter
54" wide
100% recycled polyester,
with 26% ocean bound plastic
4SC01 Alpine
4SC02 Fog
4SC03 Shale
4SC04 Persimmon
4SC05 Red Violet
4SC06 Lime Zest
4SC07 Olive
4SC08 Glacier
4SC09 Blue Sky
4SC10 Lagoon
4SC11 Slate Grey
4SC12 Blue Black

Tailored
54" wide
56% polyester
44% recycled polyester
23501 Studio White
23502 Sugar
23503 Tomato
23504 Orchid
23505 Boysenberry
23506 Chive
23507 Bluegrass
23508 Cobalt
23509 Cadet
23510 Fog
23511 Graphite
23512 Black
23513 Coffee

Whisper
54" wide
73% recycled polyester
27% polyester
with 11.3% ocean bound plastic
1WS01 Sand Dollar
1WS02 Pebble
1WS03 Silver Birch
1WS04 Iceberg
1WS05 Silver Pine
1WS06 Carbon
1WS07 Cumin
1WS08 Adobe
1WS09 Strawberry
1WS10 Blush
1WS11 Eggplant
1WS12 Willow
1WS13 Sea Grass
1WS14 Pool
1WS15 Blueberry
1WS16 Glacier
1WS17 Grey
1WS18 Canyon

Price Category 2

Aristo
54" wide
88% recycled polyester
12% polyester
Acrylic backing
3AR01 Forest Moss
3AR02 Light Brindle
3AR03 Mink
3AR04 Copper
3AR05 Adobe
3AR06 Cherry
3AR07 Lilac
3AR08 Green Apple
3AR09 Surf
3AR10 Waterfall
3AR11 Cadet
3AR12 Tin
3AR13 Pewter
3AR14 Grey Brindle
3AR15 Grey Black

Canon - Geiger Textile
55" wide
100% polyester
PFOA-free stain resistant
Acrylic backing
1DB01 Pearl Gray
1DB02 Dune
1DB03 Flax
1DB04 Bluestone
1DB07 Adriatic
1DB08 Red Hot
1DB09 Swiss Red
1DB10 Steel
1DB12 Black

Price category 2 continued on next page

Proprietary Textile Colors — Ancillary Seating

continued

Price Category 2

Appendix: Proprietary Textile Colors — Ancillary Seating

Crepe	
54" wide	
100% recycled polyester, with 43.6% ocean bound plastic	
9201	Licorice
9203	Smoke
9207	Cherry
9223	Cadet
9241	Beachglass
9249	Stone
9251	Fog
9252	Slate Grey
9261	Shale
9262	Graphite
9265	Mineral
9266	Persimmon
9267	Juniper
9268	Glacier
9269	Cascade
9270	Navy

Epic	
54" wide	
56% recycled polyester 44% polyester	
Acrylic backing	
3EP01	Alabaster
3EP02	Smoke
3EP03	Falcon
3EP04	Citrus Spring
3EP05	Copper
3EP06	Urban Orange
3EP07	Poppy
3EP08	Wild Plum
3EP09	Sugar Plum
3EP10	Clover
3EP11	Loden
3EP12	Everglade
3EP13	Mist
3EP14	Peacock
3EP15	Cadet
3EP16	Indigo
3EP17	Spring Wood
3EP18	Grey Brindle
3EP19	Seed
3EP20	Carbon Dark

Even - Geiger Textile	
55" wide	
100% polyester	
PFOA-free stain resistant	
Acrylic backing	
1DA01	Silver Ore
1DA02	Blue Gray
1DA04	Kale
1DA06	Lapis
1DA07	Poppy
1DA09	Smoke
1DA10	Black

Marvel	
54" wide	
100% pvc-free polyurethane antimicrobial, antibacterial finish	
1MV01	Summer White
1MV02	Sand Dollar
1MV03	Espresso
1MV04	Folkstone Grey
1MV05	Graphite
1MV06	Onyx
1MV07	Polar Blue
1MV08	Blush Grey
1MV09	Woodrose
1MV10	Citrus
1MV11	Adobe
1MV12	Red
1MV13	Kiwi Green
1MV14	Pine
1MV15	Teal Green
1MV16	Twilight

Medley	
54" wide	
100% polyester	
1HA01	Stone
1HA02	Trail
1HA03	Charcoal
1HA04	Cinder
1HA05	Citrus
1HA06	Papaya
1HA07	Chutney
1HA08	Tundra
1HA09	Feather Grey
1HA10	Chartreuse
1HA11	Loden
1HA12	Peacock
1HA13	Bayou
1HA14	Blue Grotto
1HA15	Blueberry
1HA22	Khaki
1HA23	Pewter
1HA24	Yellow Oxide
1HA25	Vintage Rose
1HA26	Raspberry
1HA27	Acai Berry

Mellow	
54" wide	
100% recycled polyester, with 16% ocean bound plastic	
4ME01	Mineral
4ME02	Pewter
4ME03	Wisteria
4ME04	Olive
4ME05	Glacier
4ME06	Oceanside
4ME07	Charcoal

Rhythm	
54" wide	
100% polyester	
3001	Kiwi Green
3002	Green Apple
3003	Peacock
3004	Bayou
3005	Berry Blue
3006	Iris
3007	Twilight
3008	Pumpkin
3009	Poppy
3010	Molasses
3011	Mulberry
3012	Khaki
3013	Mink
3014	Black
3015	Charcoal

Price category 2 continued on next page

Proprietary Textile Colors – Ancillary Seating

continued

Price Category 2

continued

Sequel

54" wide
100% vinyl
100% polyester knit backing
Resilience® finish

3SL01	White
3SL02	Pebble
3SL03	Mushroom
3SL04	Stone
3SL05	Chestnut
3SL06	Rattan
3SL07	Black Cherry
3SL08	Tundra
3SL09	Seal
3SL10	Blue Fog
3SL11	Folkstone
3SL12	Shale
3SL13	Slate Grey
3SL14	Charcoal
3SL15	Carbon Dark
3SL28	Navy

Terra

54" wide
100% post-consumer recycled
biodegradable polyester *

4TE01	Spring Wood
4TE02	Zinc
4TE03	Pine Cone
4TE04	Charcoal

* 1% biodegradation in 1,278 days under ASTM D5511 conditions. No evidence of further degradation.

Twist

54" wide
80% antimony-free polyester
13% recycled polyester
7% polyester

8R05	Wicker
8R10	Poppy
8R14	Tin
8R15	Shale
8R16	Graphite
8R17	Birch
8R18	Sepia
8R22	Blueberry
8R23	Green Apple
8R26	Gunmetal
8R27	Cinder
8R28	Citrus
8R29	Pekoe
8R30	Tangerine
8R31	Red Plum
8R32	Wisteria
8R33	Forest
8R34	Jade Dark
8R35	Waterfall
8R36	Midnight Blue
8R37	Carbon Dark

Price Category 3

Ace

54" wide
100% polyurethane
Polyester knit backing
Stain resistant finish

3AC01	Summer White
3AC02	White Ash
3AC03	Rye
3AC04	Metal
3AC05	Clay
3AC06	Chestnut
3AC07	Citrus
3AC08	Camelback
3AC09	Chipotle
3AC10	Claret
3AC11	Slate Purple
3AC12	Artichoke
3AC13	Sepia Dark
3AC14	Aloe
3AC15	Flint
3AC16	Blue Sky
3AC17	Oceanside
3AC18	Midnight
3AC19	Spring Wood
3AC20	Frost
3AC21	Lead
3AC22	Black

Cambrai - Geiger Textile

54" wide
100% polyester
Antimicrobial stain resistant finish
Acrylic backing

21603	Hemp
21606	Carbon
21607	Ink

Meld – Maharam

54" wide
68% post-consumer recycled polyester
32% polyester
PFOA-Free stain resistant

ZM201/466387-201	Vast
ZM202/466387-202	Panda *
ZM203/466387-203	Skyline *
ZM204/466387-204	Knight *
ZM205/466387-205	Quill *
ZM206/466387-206	Pipe
ZM207/466387-207	Grate *
ZM208/466387-208	Gloss
ZM209/466387-209	Bulb
ZM210/466387-210	Bride
ZM211/466387-211	Stark
ZM212/466387-212	Seashell
ZM213/466387-213	Antler
ZM214/466387-214	Crater *
ZM215/466387-215	Perennial
ZM216/466387-216	Mulberry
ZM217/466387-217	Fuchsia *
ZM218/466387-218	Amethyst *
ZM219/466387-219	Merlot
ZM220/466387-220	Magma *
ZM221/466387-221	Rooster
ZM222/466387-222	Heat *

* Colors available on 20-day lead time.

Price category 3 continued on next page

Proprietary Textile Colors — Ancillary Seating

continued

Price Category 3

continued

Meld *continued*

ZM223/466387-223	Clementine
ZM224/466387-224	Fox
ZM225/466387-225	Kiss *
ZM226/466387-226	Bare
ZM227/466387-227	Blonde
ZM228/466387-228	Mimosa
ZM229/466387-229	Comet *
ZM230/466387-230	Honeydew
ZM231/466387-231	Wild *
ZM232/466387-232	Vine
ZM233/466387-233	Seed
ZM234/466387-234	Kale *
ZM235/466387-235	Waterfall *
ZM236/466387-236	Nordic *
ZM237/466387-237	Reef *
ZM238/466387-238	Wave
ZM239/466387-239	Isle
ZM240/466387-240	Creek
ZM241/466387-241	Mariner *
ZM242/466387-242	Globe
ZM243/466387-243	Spa

* Colors available on 20-day lead time.

Pinpoint - Geiger Textile

57" wide	
100% antimony-free polyester	
19811	Camel
19820	Luggage
19830	Red
19832	Cordovan
19850	Navy
19870	Trench Dark
19880	Charcoal

Saille - Geiger Textile

57" wide	
69% cotton	
31% polyester	
PFOA-Free stain resistant finish	
Acrylic backing	
18001	Coal
18002	Shale
18003	Haze
18004	Stone
18005	White *
18006	Beach
18007	Sand
18008	Blush
18009	Brick
18010	Fog
18011	Celadon
18012	Poolside
18013	Summer Sky
18014	Lake
18015	Midnight Blue

* Color not available on Eames® Soft Pad Group Chairs/Ottomans.

Price Category 4

Antico - Geiger Textile

54" wide	
100% polyurethane	
Polyester/cotton backing	
Stain resistant finish	
1GM04	Desert
1GM05	Ash Gray
1GM08	Dark Shale

Cygnus™

For Eames® Aluminum Group Chairs	
69% elastomeric	
31% polyester	
5401	Black
5402	Zinc
5403	Quartz

Daydream

54" wide	
48% wool	
41% recycled polyester	
9% nylon	
2% polyester	
3DM01	Rye Grass
3DM02	Silver Birch
3DM03	Pewter
3DM04	Graphite
3DM05	Black
3DM06	Lemongrass
3DM07	Permission
3DM08	Juniper
3DM09	Sea Grass
3DM10	Nightfall

Price category 4 continued on next page

Proprietary Textile Colors — Ancillary Seating

continued

Price Category 4

continued

Fringe - Geiger Textile	
54" wide	
74% recycled polyester	
20% nylon	
6% polyester	
1AF03	Silver Bay
1AF05	Morning Sky
1AF08	Paprika
1AF11	French Press

Granno - Geiger Textile	
54" wide	
100% polyurethane	
Polyester/cotton backing	
Stain resistant finish	
17703	Warm Sand
17707	Cargo Gray
17709	Black
17710	Navy
17780	Abite
17791	Light Silver

Irregular Grid - Geiger Textile	
56" wide	
85% polyester	
14% rayon	
1% nylon	
PFOA-Free stain resistant	
Acrylic backing	
1AT01	Fog
1AT02	Stone
1AT04	Gray Blue

Kalista - Geiger Textile	
54" wide	
71% post-industrial recycled cotton	
18% post-industrial recycled polyester	
11% polyester	
PFOA-Free stain resistant finish	
1AL01	Cotton
1AL02	Natural
1AL03	Titanium
1AL04	Pewter
1AL05	Starry Night
1AL06	Red Hot
1AL07	Sun Kissed
1AL08	Dune
1AL09	Beach Glass
1AL10	Bluestone
1AL11	Seaside
1AL12	Night Sky

Ottoman - Geiger Textile	
54" wide	
100% recycled polyester	
GreenShield	
19710	Cream
19711	Camel
19713	Stone
19719	Aqua
19720	Citron
19728	Ruby
19729	Currant
19730	Red
19731	Blaze
19751	Cadet Dark
19752	Blue
19761	Napa
19767	Sterling
19768	Flint
19769	Slate
19770	Trench
19771	Java
19779	Metal
19780	Black

Piccolo - Geiger Textile	
54" wide	
39% wool, 36% nylon, 13% rayon	
12% post-consumer recycled polyester	
PFOA-Free stain resistant	
Acrylic backing	
1AU01	Grey Blue
1AU02	City Night
1AU03	Trench
1AU04	Sangria
1AU05	Cerise
1AU06	Navy
1AU08	Wine
1AU09	Charcoal
1AU10	Midnight Blue

Sync	
55" wide	
100% polyester	
3SY01	Pine Cone
3SY02	Citron
3SY03	Canyon
3SY04	Truffle
3SY05	Wild Berry
3SY06	Everglade
3SY07	Glacier
3SY08	Nightfall
3SY09	Dark Mineral
3SY10	Slate Grey
3SY11	Dark Carbon
3SY12	Black

Price Category 5

Bouclé - Geiger Textile	
54" wide	
100% recycled polyester	
GreenShield	
1GA10	Creme
1GA11	Dune
1GA20	Luggage
1GA30	Wine
1GA50	Navy
1GA61	Fir
1GA70	Umber
1GA81	Graphite
1GA82	Black

Cheswick - Geiger Textile	
55" wide	
55% acrylic	
45% polyester	
1DD01	Blanc
1DD02	Sterling
1DD03	Charcoal
1DD04	Royal
1DD05	Garnet
1DD06	Rosa
1DD07	Copper
1DD10	Silver Ore
1DD13	Ginger

Price category 5 continued on next page

Proprietary Textile Colors — Ancillary Seating

continued

Price Category 5

continued

Appendix: Proprietary Textile Colors — Ancillary Seating

Claremont - Geiger Textile

56" wide
67% cotton
31% polyester
2% nylon
PFOA-Free stain resistant finish
Acrylic backing
1GV03 Haze
1GV05 Coffee
1GV07 Gray Violet
1GV08 Goldenrod
1GV09 Wine
1GV10 Adriatic
1GV11 Charcoal
1GV12 Dark Denim

Cozy

54" wide
100% wool
3CY01 Heathered Warm Grey
3CY02 Heathered Rye Grass
3CY03 Heathered Cool Grey
3CY04 Heathered Blue Grey
3CY05 Heathered Black
3CY06 Heathered Persimmon
3CY07 Heathered Loden
3CY08 Heathered Jade
3CY09 Heathered Lagoon
3CY10 Heathered Twilight

Envie - Geiger Textile

54" wide
70% post-consumer recycled polyester
30% polyester
GreenShield Zero Finish
1JA03 Lemon
1JA05 Orange
1JA07 Plum
1JA08 Navy
1JA10 Deep Cerulean Blue
1JA13 Sterling
1JA14 Anthracite

Essential Twill - Geiger Textile

53" wide
70% post-consumer recycled polyester
27% wool
3% nylon
PFOA-Free stain resistant finish
Acrylic backing
16801 Cream
16803 Orange
16804 Natier Blue
16806 Forest
16807 Smoke

Harlow - Geiger Textile

54" wide
37% viscose
26% cotton
17% acrylic
13% linen
7% polyester
PFOA-Free stain resistant finish
1GE01 Andro
1GE02 Linota
1GE03 Norland
1GE04 Valour
1GE05 Arras

Herringbone - Geiger Textile

54" wide
50% nylon
27% cotton
23% polyester
GreenShield
19330 Vermillion
19351 Cadet
19371 Umber
19381 Flannel

Hopsak

56" wide
100% recycled polyester
14A20 Black
14A22 Raw Umber Dark
14A26 Grey Blue Dark
14A30 Sepia Dark
14A38 Emerald Dark
14A39 Yellow Dark
14A40 Orange
14A41 Sienna
14A42 Olive Green Dark
14A43 Crimson
14A44 Crimson Dark Dark
14A45 Violet Dark
14A46 Pink Dark Dark
14A47 Ultramarine Dark
14A48 Cobalt Blue
14A49 Terra Cotta
14A50 Ochre Dark

Houndstooth Check - Geiger Textile

56" wide
66% acrylic
34% polyester
1DC01 Platinum
1DC02 Charcoal

Price category 5 continued on next page

Proprietary Textile Colors — Ancillary Seating

continued

Price Category 5

continued

Ingenue - Geiger Textile	
54" wide	
28% wool	
26% viscose	
25% acrylic	
16% polyester	
5% cotton	
PFOA-Free stain resistant finish	
1GH01 Sand	
1GH02 Fog	
1GH03 Flannel	
1GH04 Trench	
1GH05 Vermillion	
1GH06 Adriatic	
1GH07 Umber	
1GH08 Charcoal	

Iron Cloth - Geiger Textile	
54" wide	
61% nylon	
22% rayon	
17% cotton	
19511 Stone	
19512 Camel	
19520 Citron	
19530 Red	
19531 Cordovan	
19550 Sky	
19551 Navy	
19552 Cadet	
19560 Leaf	
19570 Trench	
19580 Black	

Summit	
54" wide	
100% silicone	
Polyester knit backing	
3SU01 Bright White	
3SU02 Oyster	
3SU03 Zinc	
3SU04 Sparrow	
3SU05 Taupe	
3SU06 Java	
3SU07 Black	
3SU08 Cherry	
3SU09 Beachglass	
3SU10 Midnight	

Vionette - Geiger Textile	
55" wide	
100% polyester	
1GJ01 White Sand Mix	
1GJ02 Desert Mix	
1GJ03 Light Gray Mix	
1GJ04 Pewter Mix	
1GJ05 Cobalt Mix	
1GJ06 Prussian Blue Mix	
1GJ07 Chocolate Mix	
1GJ08 Champagne	
1GJ09 Morning Sky	
1GJ10 Aquatic	
1GJ11 Sapphire	
1GJ12 Midnight Blue	
1GJ13 Shadow	
1GJ14 Java	
1GJ15 Carbon	
1GJ16 Black	
1GJ17 Claret	
1GJ18 Poppy	

Iota - Geiger Textile	
55" wide	
72% post-consumer recycled polyester	
28% cotton	
GreenShield	
Acrylic backing	
1AS03 Light Blue	
1AS05 Ferric Gray	
1AS06 Deep Cerulean Blue	
1AS07 Carrot	
1AS10 Claret	
1AS11 Ruby Red	
1AS13 Navy	

Lona del Sol - Geiger Textile	
54" wide	
98% Sunbrella® solution dyed acrylic	
2% polyester	
PFOA-Free stain resistant	
1DK01 Blanca	
1DK03 Zinc	
1DK05 Allspice	
1DK07 Sumac	
1DK08 Azul	
1DK09 Armada	
1DK10 Deep Teal	
1DK11 Sage	
1DK12 Carbon	

Vavare - Geiger Textile	
54" wide	
50% post-consumer recycled cotton	
28% cotton	
13% polyester	
9% acrylic	
PFOA-Free stain resistant finish	
Acrylic backing	
17403 Monochrome	
17406 Lakeside	
17407 Midsummer	

Appendix: Proprietary Textile Colors — Ancillary Seating

Proprietary Textile Colors — Ancillary Seating

continued

Appendix: Proprietary Textile Colors — Ancillary Seating

Price Category 6

Classic Velvet - Geiger Textile

55" wide
100% polyester
Polyester/cotton backing

16502 Ice Blue
16503 Platinum
16506 Majestic Red
16508 Obsidian
16509 Truffle

Gridwork - Geiger Textile

54" wide
100% post-consumer recycled polyester
PFOA-Free stain resistant
Acrylic backing

1AM01 Mustard
1AM02 Persimmon
1AM03 Willow
1AM04 Red
1AM05 Camel
1AM06 Natier Blue

Matiz - Geiger Textile

54" wide
100% Sunbrella® solution dyed acrylic
PFOA-Free stain resistant

1DM01 Crema
1DM02 Platinum
1DM03 Sky Blue
1DM04 Aluminum
1DM05 Wheat
1DM06 Sunflower
1DM07 Marigold
1DM08 Grenache
1DM09 Cobalt
1DM10 Sialia
1DM11 Talavera
1DM12 Pacific
1DM13 Caribbean
1DM14 Juniper
1DM15 Graphite

Outdoor Weave

For Eames® Aluminum Group
Outdoor Chairs
50% elastomeric
50% polypropylene

7203 Lead
7205 Graphite

Overture - Geiger Textile

54" wide
36% cotton, 26% acrylic
16% rayon, 10% nylon
7% wool, 5% cotton linen
PFOA-Free stain resistant finish

1GF01 Fawn
1GF02 Fog
1GF03 Earthen

Sommar - Geiger Textile

55" wide
62% cotton
24% polyester
14% acrylic
PFOA-Free stain resistant finish

1AJ01 Cloud
1AJ02 Natural
1AJ03 Light Silver
1AJ04 Oxford
1AJ05 Sweet Tea
1AJ06 Amber
1AJ08 Dark Roast

Tattersall Reverse - Geiger Textile

54" wide
35% cotton
29% polyester
27% nylon
9% recycled polyester
GreenShield

20010 Saddle
20020 Willow
20030 Red
20070 Trench
20071 Latte Umber
20080 Flannel Umber

Toluca Ikat - Geiger Textile

54" wide
65% Sunbrella® solution dyed acrylic
35% Sunbrella® solution dyed polyester
PFOA-Free stain resistant

1DJ01 Sky
1DJ02 Gris
1DJ03 Playa
1DJ05 Lila
1DJ06 Azul
1DJ07 Avocado
1DJ08 Obscura

Price Category 7

Customer's Own Leather

See Order Information in
Appendices. Assigned lead-time
textile. [A](#)

Amenia - Geiger Textile

53" wide
67% wool
23% nylon
10% post-consumer recycled polyester
PFOA-Free stain resistant finish
Acrylic backing

1GX01 Fog
1GX02 Dark Sand
1GX03 Steel
1GX04 Pewter
1GX06 Sunflower
1GX07 Bittersweet
1GX08 Magenta
1GX11 Gray Blue

Bellano - Geiger Textile

55" wide
75% wool
10% linen
8% nylon
7% alpaca

1AX01 Pearl
1AX02 Fog
1AX03 Fawn
1AX04 Pumice
1AX05 Pewter
1AX06 Atlantic
1AX07 Black Green
1AX08 Adriatic
1AX09 Coffee
1AX10 Charcoal
1AX11 Umber
1AX12 Magenta
1AX13 Bittersweet
1AX14 Sunflower

Price category 7 continued on next page

Proprietary Textile Colors — Ancillary Seating

continued

Price Category 7

continued

Capri - Geiger Textile	
55" wide	
36% cotton	
32% acrylic	
24% rayon	
8% polyester	
PFOA-Free stain resistant finish	
Acrylic backing	
17201	Snow
17202	Stone
17203	Trench
17204	Graphite
17205	Anthracite
17206	Light Silver
17207	Russet
17208	Chestnut Brown
17209	Sand
17210	Sterling
17211	Cobalt
17212	Ink

Dorset - Geiger Textile	
52" wide	
73% wool	
18% nylon	
9% post-consumer recycled polyester	
PFOA-Free stain resistant finish	
Acrylic backing	
1GW02	Dark Sand
1GW07	Bittersweet
1GW08	Magenta
1GW11	Gray Blue

Double Beam Redux - Geiger Textile	
52" wide	
52% rayon	
45% post-consumer recycled polyester	
3% nylon	
PFOA-Free stain resistant finish	
Acrylic backing	
22001	Oyster
22002	Mortar
22004	Pewter
22006	Dark Denim
22007	Cocoa

Epinglé - Geiger Textile	
56" wide	
57% acrylic, 43% polyester pile	
60% polyester, 40% acrylic	
1GC10	Ivory
1GC30	Red
1GC71	Java
1GC80	Charcoal
1GC81	Fog

Graphton - Geiger Textile	
52" wide	
61% wool	
21% cotton	
18% nylon	
PFOA-Free stain resistant finish	
1GU01	Camel
1GU02	Meadow
1GU03	Loden
1GU04	Shale
1GU07	Atlantic
1GU08	Bordeaux

Milaner - Geiger Textile	
55" wide	
56% wool, 10% acrylic	
10% alpaca, 10% cotton	
8% nylon, 6% rayon	
17101	Linen
17102	Flax
17103	Bark
17104	Deep Navy
17105	Charcoal
17106	Medium Grey
17107	Ash
17108	Crimson

Panno di Dolce - Geiger Textile	
55" wide	
65% wool	
20% nylon	
15% alpaca	
1AV01	Fog
1AV02	Dune
1AV03	Trench
1AV04	Flannel
1AV05	Charcoal
1AV06	Umber
1AV07	Deep Navy
1AV08	Graphite
1AV09	Orange
1AV10	Pink
1AV11	Deep Red
1AV12	Bright Green
1AV13	Cerulean Blue
1AV14	Deep Cerulean Blue

Pantile - Geiger Textile	
54" wide	
54% cotton	
40% polyester	
6% acrylic	
PFOA-Free stain resistant	
Acrylic backing	
1AN01	Stone
1AN03	Red
1AN05	Sapphire
1AN06	Black

Pristina - Geiger Textile	
55" wide	
37% wool	
25% viscose	
17% acrylic	
15% cotton	
6% polyester	
PFOA-Free stain resistant	
1JC01	Dove
1JC02	Goldstone
1JC03	Daybreak
1JC04	Pumice
1JC05	Cappuccino
1JC06	Gunmetal
1JC07	Caspian
1JC08	Café Noir

Price category 7 continued on next page

Proprietary Textile Colors — Ancillary Seating

continued

Appendix: Proprietary Textile Colors — Ancillary Seating

Price Category 7

continued

Renata - Geiger Textile	
55" wide	
46% acrylic	
24% cotton	
21% viscose	
9% polyester	
PFOA-Free stain resistant	
1JD02	Sepia
1JD03	Metal
1JD04	Smoky
1JD05	Raven

Resca - Geiger Textile	
56" wide	
75% wool	
10% linen	
8% nylon	
7% alpaca	
1AW01	Fog
1AW02	Dune
1AW03	Trench
1AW04	Flannel
1AW05	Umber
1AW06	Bordeaux

Sateen Weave - Geiger Textile	
54" wide	
92% wool, 8% nylon	
16301	Bright Red
16303	Chestnut Brown
16304	Pale Native Umber
16305	Light Native Umber
16306	Sahara Sand Deep
16307	Light Blue
16309	Light Veronese Green
16310	Black Green
16311	Deep Native Umber
16312	Chestnut Brown

True Herringbone - Geiger Textile	
54" wide	
49% rayon	
48% post-consumer recycled polyester	
3% nylon	
PFOA-Free stain resistant finish	
Acrylic backing	
22401	Olivine
22402	Camel
22403	Earthen
22405	Vermilion
22407	Bordeaux

Twill Plaid - Geiger Textile	
53" wide	
70% post-consumer recycled polyester	
27% wool	
3% nylon	
PFOA-Free stain resistant finish	
Acrylic backing	
16901	Cream
16903	Orange
16904	Natier Blue
16907	Smoke

Vesture - Geiger Textile	
55" wide	
40% wool, 25% polyester	
20% silk, 15% nylon	
PFOA-Free stain resistant finish	
21701	Ashen
21702	Dark Blush
21703	Dusk
21704	Medium Gray
21705	Twilight

Wool Epingle - Geiger Textile	
54" wide	
100% wool	
16201	Swiss Red
16202	Orange
16203	Light Chestnut Brown
16204	Light Burnt Umber
16205	Pale Native Umber
16207	Grey
16208	Natier Blue
16209	Deep Cerulean Blue
16210	Anthracite
16211	Natural Native Umber
16212	Chestnut Brown

Wool Tweed - Geiger Textile	
54" wide	
80% wool, 20% nylon	
16601	Trench
16602	Pewter
16603	Ruby
16604	Blue Gray
16605	Navy
16606	Umber
16607	Charcoal

Price Category 8

Allusion - Geiger Textile	
56" wide	
60% alpaca	
27% wool	
13% nylon	
Cotton backing	
1GS01	Moonlight
1GS02	Pearl Gray
1GS03	Platinum
1GS05	Camel
1GS06	Swiss Red
1GS09	Navy
1GS10	Black Green
1GS12	Anthracite

Basketweave - Geiger Textile	
53" wide	
60% cotton	
40% wool	
18710	Dune
18711	Saddle
18712	Camel Flannel
18770	Umber

Price category 8 continued on next page

Proprietary Textile Colors — Ancillary Seating

continued

Price Category 8

continued

Foot Hills - Geiger Textile

56" wide
54% rayon
43% wool
3% nylon
PFOA-Free stain resistant finish
Acrylic backing
1GT01 Steel Stripe
1GT02 Loden Stripe
1GT03 Ingot Stripe
1GT05 Blackberry Stripe
1GT06 Steel
1GT08 Ingot
1GT09 Cobalt
1GT10 Blackberry

Semplice Leather - Geiger Textile

approx. 55 sq. ft. per hide
100% leather
1SE01 Alabaster
1SE02 Stone
1SE03 Parchment
1SE04 Titanium
1SE05 Dark Brown
1SE07 Charcoal
1SE08 Black

Staple - Geiger Textile

54" wide
100% wool
16101 Light Native Umber
16102 Medium Native Umber
16103 Pearl Grey
16105 Ferric Grey
16107 Prussian Blue
16109 Burnt Umber
16111 Ruby Red

Starlet - Geiger Textile

55" wide
47% cotton
33% viscose
16% polyester
4% linen
Resin backing
1GK01 Stone
1GK02 Lemon
1GK03 Sunset
1GK04 Celadon
1GK05 Dusk
1GK06 Navy
1GK07 Shale

Striscia - Geiger Textile

53" wide
73% wool
24% rayon
3% nylon
PFOA-Free stain resistant
Acrylic backing
1AY01 Mojave
1AY02 Cheyenne
1AY03 Santa Fe
1AY04 Zion
1AY05 Portland
1AY06 Everglade
1AY08 Huron

Whim - Geiger Textile

54" wide
34% viscose
33% acrylic
17% wool
8% polyester
9DA01 Warm White
9DA02 Rye
9DA03 Mustard Seed
9DA04 Terra Cotta
9DA05 Fir
9DA06 Navy
9DA07 Pewter

Price Category 9

Alpaca Mohair - Geiger Textile

54" wide
63% alpaca
21% cotton, 16% polyester
18510 Dune
18511 Trench
18512 Vicuna
18570 Sepia
18571 Umber
18580 Fog
18581 Flannel
18582 Charcoal

Corded Stripe - Geiger Textile

54" wide
100% cotton
22301 Federal Taupe
22302 Cool Navy
22303 Swiss Red
22304 Deep Sea
22306 Red Madder

Leather

approx. 50 sq. ft. per hide
100% leather
2101 Ivory
2109 Black
2110 Smoke
2111 Graphite
2112 Khaki
2113 Rattan
2114 Truffle
2115 Alpine
2116 Haze
2117 Sable Grey
2118 Dark Mineral
2119 Dark Carbon
2120 Cranberry
2121 Deep Sea

Appendix: Proprietary Textile Colors — Ancillary Seating

Proprietary Textile Colors — Ancillary Seating

continued

Price Category 10

Bristol Leather - Geiger Textile	
approx. 55 sq. ft. per hide	
100% leather	
5-507	Black
5-511	Putty
5-519	Hunter
5-520	White
5-521	Ivory
5-522	Parchment
5-537	Caribbean
5-546	Pumice
5-547	Smoke
5-548	Charcoal
5-549	Dark Shale
5-556	Downtown Grey
5-557	City Night
5-559	Ash Grey
5-563	Champagne
5-564	Chestnut Brown
5-565	Dark Sienna
5-566	Earthen
5-567	Desert
5-568	British Green
5-579	Paris Blue
5-583	Atlantic
5-592	Camel
5-594	Taupe
5-597	Pure *
5-598	Cream
5-600	Midnight Blue
5-603	Sangria
5-604	Swiss Red
5-605	Nordic Yellow
5-606	Sky Grey
5-608	Natural

* Color not available on Saiba Chair.

Price Category 11

Tenera Leather - Geiger Textile	
approx. 55 sq. ft. per hide	
100% leather	
17501	Cement
17502	Marzipan
17503	Sunglow
17504	Raw Sienna
17505	Maple
17506	Poppy
17507	Salsa
17508	Cranberry
17509	Burnt Sienna
17510	Dark Chocolate
17511	Black
17512	Carbon
17513	Sapphire

Maharam® Application Chart — Ancillary Seating, HermanMiller

• Available

[A] Maharam textiles are on assigned lead times.

[N] Non-woven textile.

	Betwixt Seating	Bevel Sofa Group	Bolster Sofa Group	Chadwick Modular Seating	ColourForm Sofa Group	Eames® Aluminum Group Chairs/Ottomans	Eames Executive Chairs	Eames Lounge Chairs/Ottomans	Eames Molded Fiberglass/Plastic/Wood Chairs Upholstered Seat Pad	Eames Molded Fiberglass/Plastic Chairs Upholstered	Eames Molded Plywood Chair Upholstered	Eames Sofa Compact	Eames Sofa, 2 and 3 Seat	Eames Soft Pad Chairs/Ottomans	Eames Task Chair	Eames Wire Seating Upholstered Seat Pad	Eames Wire Seating Upholstered Seat and Back	Girard Color Wheel Ottoman	Lispenard Sofa Group	Luva Sofa Group	Nelson™ Coconut Chair—Prone Leather	Nelson Cube Sofa Group	Nelson Daybed Cushion/Bolsters	Nelson Pedestal Stool	Nelson Platform Bench Cushion	Portrait™ Chair	Striad Lounge Seating	Wilkes Modular Sofa Group	Wireframe™ Sofa Group		
Price Category 1																															
No fabrics available at this time.																															
Price Category 2																															
ZMA__ Metaphor		•	•			1	•		1		•	1		1	1	1				•						•	1		•		•
811__ Muse						•	•					•		•												•	•				•
Price Category 3																															
ZM2__ Meld *		•	•						•			•														•	•		•		•
Price Category 4																															
ZLR__ Lariat [N]		•				•																						•			
Price Category 5																															
40G__ Method - Maharam		•	•						•		•	•					•									•	•	•	•	•	•
ZNC__ Nico			•	•			•		•		•	•				•										•	•	•	•	•	•
Price Category 6																															
No fabrics available at this time.																															
Price Category 7																															
ZB3__ Beck		•	•	•			•		•	•	•	•		•	•	•				•	•					•	•	•	•	•	•
6VQ__ Cumulus		•																									•				
Price Category 8																															
ZLU__ Luce		•	•				•		•		•	•		•		•						•				•	•	•	•	•	•
26S__ Tempo - Maharam																												•		•	•
Price Category 9																															
ZCO__ Campana		•	•						•		•	•				•	•									•	•	•	•	•	•
ZGE__ Gemma		•	•	•			•		•		•	•		•		•										•	•	•	•	•	•
ZJA__ Jasper		•	•						•		•	•				•	•									•	•				•
Price Category 10																															
3KH__ Firma - Maharam		•	•	•	•		•		•		•	•															•	•	•	•	•
ZGF__ Gemma Multi		•	•	•			•		•		•	•		•		•										•	•	•	•	•	•
ZGF__ Gemma Multi Reverse		•	•	•			•		•		•	•		•		•										•	•	•	•	•	•
ZP4__ Petra		•	•						•		•	•		•	•	•	•									•	•	•	•	•	•
Z22__ Superweave		•	•								•	•														•		•			•
Price Category 11																															
1NX__ Prone Leather [N]		•	•	•			•	•	•	•	•	•		•	•	•	•	•	•	•	•							•	•		•
Price Category 12-13																															
No fabrics available at this time.																															
Price Category 14																															
Z13__ Lanalux		•	•	•							•	•														•	•	•	•	•	•
Price Category A																															
No fabrics available at this time.																															

continued on next page

* Available in select colors on 20-day lead-time. Refer to "Maharam Textile Colors-Ancillary Seating" for 20-day colors.

Maharam® Application Chart — Ancillary Seating, HermanMiller

continued

Appendix: Maharam Application Chart — Ancillary Seating, HermanMiller

	Betwixt Seating	Bevel Sofa Group	Bolster Sofa Group	Chadwick Modular Seating	ColourForm Sofa Group	Eames Aluminum Group Chairs/Ottomans	Eames Executive Chairs	Eames Lounge Chairs/Ottomans	Eames Molded Fiberglass/Plastic/Wood Chairs Upholstered Seat Pad	Eames Molded Fiberglass/Plastic Chairs Upholstered	Eames Molded Plywood Chair Upholstered	Eames Sofa Compact	Eames Sofa, 2 and 3 Seat	Eames Soft Pad Chairs/Ottomans	Eames Task Chair	Eames Wire Seating Upholstered Seat Pad	Eames Wire Seating Upholstered Seat and Back	Girard Color Wheel Ottoman	Lispenard Sofa Group	Luva Sofa Group	Nelson™ Coconut Chair—Prone Leather	Nelson Cube Sofa Group	Nelson Daybed Cushion/Bolsters	Nelson Pedestal Stool	Nelson Platform Bench Cushion	Portrait™ Chair	Striad Lounge Seating	Wilkes Modular Sofa Group	Wireframe™ Sofa Group	
Price Category B																														
VM__ Medium						•				•		•																		
TI__ Messenger *				•	•	•	•	1		•		•		•												•	•			
Price Category C																														
Z27__ Manner	•		•		1	1		•		1	1		•	•	•									•	•	•				•
88Z__ Merit								•							•	•								•	•	•				
Z3__ Metric										•	•													•						•
ZML__ Milestone						1	1			1	1	•	•											•	•					•
8EY__ Murmur																						•					•			•
Price Category D																														
8I8__ Bluff						•	•		•	•	•		•	•	•									•	•					•
ZMD__ Mode	•			•		•				•	•		•	•	•	•	•		•	•		•	•	•	•					
Price Category E																														
ZAT__ Article [N]		•	•			•	•			•	•	•	•	•											•					•
896__ Dwell																														•
ZMB__ Micro							•			•	•	•												•						•
ZR2__ Roster								•		•	•				•	•								•						•
Price Category F																														
82T__ Apt [N]						•	•	•		•						•														•
871__ Brindle																														•
V9M__ Chime [N]												•	•											•						•
87Z__ Conduit																														•
74M__ Instill [N]						•																								•
89N__ Keen								•		•	•			•	•									•			•			•
V9G__ Ledger [N]						•	•			•	•	•	•	•										•						•
ZLL__ Loop								•		•	•				•	•								•						•
82A__ Multiply																														•
8LW__ Pepper								•		•	•				•	•								•	•					•
ZPC__ Pitch [N]							•			•	•	•												•						•
ZRA__ Runner Standard											•	•	•											•						•
V9B__ Scuba [N]						•	•			•	•	•	•											•						•
Z31__ Sequence											•	•	•											•						•
Z33__ Strum [N]											•	•	•											•						•

continued on next page

Maharam®
Application Chart —
Ancillary Seating,
HermanMiller

continued

	Betwixt Seating	Bevel Sofa Group	Bolster Sofa Group	Chadwick Modular Seating	ColourForm Sofa Group	Eames Aluminum Group Chairs/Ottomans	Eames Executive Chairs	Eames Lounge Chairs/Ottomans	Eames Molded Fiberglass/Plastic/Wood Chairs Upholstered Seat Pad	Eames Molded Fiberglass/Plastic Chairs Upholstered	Eames Molded Plywood Chair Upholstered	Eames Sofa Compact	Eames Sofa, 2 and 3 Seat	Eames Soft Pad Chairs/Ottomans	Eames Task Chair	Eames Wire Seating Upholstered Seat Pad	Eames Wire Seating Upholstered Seat and Back	Girard Color Wheel Ottoman	Lispenard Sofa Group	Luva Sofa Group	Nelson™ Coconut Chair—Prone Leather	Nelson Cube Sofa Group	Nelson Daybed Cushion/Bolsters	Nelson Pedestal Stool	Nelson Platform Bench Cushion	Portrait™ Chair	Striad Lounge Seating	Wilkes Modular Sofa Group	Wireframe™ Sofa Group								
Price Category L																																					
ZBN__ Blumen											•	•	•																	•			•				
ZEP__ Exaggerated Plaid												•	•	•																			•				
ZGM__ Geometri												•	•	•																			•				
V16__ Jacobs Coat											•	•							1					•	•								•				
V17__ Millerstripe											•	•												•										•			
ZMW__ Monk's Wool																																		•			
V11__ Palio												•														•	•								•		
ZPW__ Pebble Wool											•														•		•								•		
ZPM__ Pebble Wool Multi											•		•												•		•								•		
V21__ Quatrefoil												•													•	•									•		
ZRS__ Repeat Classic Stripe												•	•	•											•		•								•		
ZRR__ Repeat Dot Ring											•	•	•												•		•								•		
ZSP__ Stripes											•	•	•												•		•								•		
ZTS__ The Story of My Life						•					•	•	•	•											•		•								•		
V22__ Toostripe											•	•												•											•		
Price Category M																																					
V18__ Names												•														•	•								•		
ZQN__ Ottoman Stripe											•	•	•												•		•									•	
T11__ Pressed Plaid											•	•													•												•
T12__ Wool Striae											•	•													•												•
Price Category N																																					
ZAE__ Alpaca Epinglé																																					•
ZAV__ Alpaca Velvet																																					•
ZBP__ Bespoke Stripe												•	•													•											•
ZKP__ Herringbone Stripe											•	•	•												•		•										•
ZPT__ Point											•														•												•
ZWV__ Wool Velvet																									•												•
Price Category O																																					
ZBS__ Bavaria Stripe												•	•																								•
Price Category P																																					
ZBR__ Big Stripe																																					•
ZBJ__ Brushed Merino																																					•
ZES__ Epinglé Stripe																																					•
ZLY__ Layers Garden											•	•	•																								•
ZLP__ Layers Park											•	•	•													•											•
ZLV__ Layers Vineyard Large											•	•	•																								•
ZLS__ Layers Vineyard Small											•	•	•	•											•		•										•
ZMS__ Mohair Supreme																																					•

continued on next page

Maharam® Application Chart — Ancillary Seating, Geiger

- Available

[A] Maharam textiles are on assigned lead times.

[N] Non-woven textile.

	Brabo™ Lounge Seating	Bumper™ Seating	Crosshatch™ Lounge Seating	Crosshatch Side Chair	Envelope™ Chair	Full Twist™ Chair	Landmark™ Chair	Leeway™ Seating	Nessel™ Chair	Reframe™ Lounge Seating High-Back Chair	Reframe Lounge Seating Mid-Back Chair	Reframe Lounge Seating Wing-Back Chair	Rolled Arm™ Sofa Group	Saiba™ Seating	Scissor™ Chair	Sled™ Chair	Mantle Lounge Seating	Taper™ Chair	Tuxedo Component Lounge™/Tuxedo Classic Seating Quilted	Tuxedo Component Lounge/Tuxedo Classic Seating Non-quilted	U-Series Lounge Seating		
Price Category 1																							
No fabrics available at this time.																							
Price Category 2																							
ZMA__ Metaphor	•	•	•	•	•	•	•	•	•				•	•	•	•				•	•		
811__ Muse	•	•		•	•		•	•					•	•	•	•					•		
Price Category 3																							
ZM2__ Meld *	•	•	•	•	•	•	•						•	•	•	•	•			•	•	•	
Price Category 4																							
ZLR__ Lariat [N]	•	•	•	•	•	•	•	•	•	•	•		•		•	•				•	•		
Price Category 5																							
40G__ Method - Maharam	•	•	•	•	•	•	•	•	•	•	•		•	•	•	•	•			•	•	•	
ZNC__ Nico	•	•	•	•	•	•	•	•	•	•	•	•	•	•	•	•	•	•	•	•	•	•	
Price Category 6																							
No fabrics available at this time.																							
Price Category 7																							
ZB3__ Beck	•	•	•	•	•	•	•	•	•	•	•	•	•	•	•	•	•	•	•	•	•	•	
Price Category 8																							
ZLU__ Luce	•	•	•	•	•	•	•	•	•	•	•	•	•	•	•	•	•	•	•	•	•	•	
26S__ Tempo - Maharam	•	•	•	•		•	•	•					•		•								
Price Category 9																							
ZCO__ Campana	•	•	•	•	•	•	•	•	•				•	•	•	•	•	•	•	•	•	•	
ZGE__ Gemma	•	•	•	•	•	•	•	•	•	•	•	•	•	•	•	•	•	•	•	•	•	•	
ZJA__ Jasper	•	•	•			•	•	•							•						•		
Price Category 10																							
3KH__ Firma - Maharam	•	•	•	•	•	•		•	•	•	•	•	•	•	•	•	•			•	•	•	
ZGF__ Gemma Multi	•	•	•	•	•	•	•	•	•	•	•	•	•	•	•	•	•	•	•	•	•	•	
ZGF__ Gemma Multi Reverse	•	•	•	•	•	•	•	•	•	•	•	•	•	•	•	•	•	•	•	•	•	•	
ZP4__ Petra	•	•	•	•	•	•	•	•	•	•	•	•	•	•	•	•	•	•	•	•	•	•	
Z22__ Superweave	•	•	•			•	•						•		•						•	•	•
Price Category 11																							
1NX__ Prone Leather [N]	•	•	•	•	•	•	•	•	•	•	•		•	•	•	•				•	•	•	
Price Category 12-13																							
No fabrics available at this time.																							
Price Category 14																							
Z13__ Lanalux	•	•	•	•		•	•	•		•	•		•		•					•	•	•	
Price Category A																							
No fabrics available at this time.																							
Price Category B																							
VM__ Medium																							
TI__ Messenger *										•													

continued on next page

* Available in select colors on 20-day lead-time. Refer to "Maharam Textile Colors-Ancillary Seating" for 20-day colors.

Maharam®
Application Chart —
Ancillary Seating,
Geiger
continued

	Brabo™ Lounge Seating	Bumper™ Seating	Crosshatch™ Lounge Seating	Crosshatch Side Chair	Envelope™ Chair	Full Twist™ Chair	Landmark™ Chair	Leeway™ Seating	Nessel™ Chair	Reframe™ Lounge Seating High-Back Chair	Reframe Lounge Seating Mid-Back Chair	Reframe Lounge Seating Wing-Back Chair	Rolled Arm™ Sofa Group	Saiba™ Seating	Scissor™ Chair	Sled™ Chair	Mantle Lounge Seating	Taper™ Chair	Tuxedo Component Lounge™/Tuxedo Classic Seating Quilted	Tuxedo Component Lounge/Tuxedo Classic Seating Non-quilted	U-Series Lounge Seating
Price Category C																					
Z27__ Manner	•	•	•		•	•	•	•	•	•			•	•	•	•	•		•	•	•
88Z__ Merit		•	•	•			•		•				•	•	•	•			•	•	•
Z3__ Metric	•	•	•		•	•	•	•					•	•	•	•	•		•	•	•
ZML__ Milestone	•	•	•		•	•	•	•	•				•	•	•	•			•	•	•
8EY__ Murmur	•	•	•		•	•		•	•				•	•	•	•			•	•	•
Price Category D																					
818__ Bluff	•		•	•	•	•	•	•	•				•		•	•	•		•	•	•
ZMD__ Mode	•	•	•		•	•	•	•	•				•		•	•	•	•	•	•	•
Price Category E																					
ZAT__ Article [N]	•	•	•		•	•	•		•				•		•	•			•	•	•
896__ Dwell	•		•		•	•	•	•					•	•	•	•			•	•	•
ZMB__ Micro	•	•	•		•	•	•	•		•			•		•	•			•	•	•
ZR2__ Roster	•		•	•	•	•	•	•	•					•	•	•			•	•	•
Price Category F																					
82T__ Apt [N]	•	•	•		•	•	•	•					•	•	•			•	•	•	•
871__ Brindle			•		•	•	•	•					•		•				•	•	•
V9M__ Chime [N]	•	•	•		•	•	•	•					•		•	•			•	•	•
87Z__ Conduit	•		•		•	•	•	•					•		•	•			•	•	•
74M__ Instill [N]	•	•	•		•	•	•	•					•		•	•			•	•	•
89N__ Keen	•		•	•	•	•	•	•	•	•			•	•	•	•			•	•	•
V9G__ Ledger [N]	•	•	•		•	•	•	•		•			•		•	•			•	•	•
ZLL__ Loop	•		•	•	•	•	•	•						•	•	•			•	•	•
82A__ Multiply	•		•		•	•	•	•							•	•			•	•	•
8LW__ Pepper	•		•	•	•	•	•	•	•				•		•	•			•	•	•
ZPC__ Pitch [N]	•	•	•		•	•	•	•	•				•		•	•			•	•	•
Z29__ Plait	•	•	•		•	•	•	•	•				•		•	•			•	•	•
ZRA__ Runner Standard	•		•		•	•	•								•	•			•	•	•
V9B__ Scuba [N]	•	•	•		•	•	•		•				•		•	•			•	•	•
Z31__ Sequence	•	•	•		•	•	•						•		•	•			•	•	•
Z33__ Strum [N]	•	•	•		•	•	•		•				•		•	•			•	•	•

continued on next page

Maharam®
Application Chart –
Ancillary Seating,
Geiger

continued

	Brabo™ Lounge Seating	Bumper™ Seating	Crosshatch™ Lounge Seating	Crosshatch Side Chair	Envelope™ Chair	Full Twist™ Chair	Landmark™ Chair	Leeway™ Seating	Nessel™ Chair	Reframe™ Lounge Seating High-Back Chair	Reframe Lounge Seating Mid-Back Chair	Reframe Lounge Seating Wing-Back Chair	Rolled Arm™ Sofa Group	Saiba™ Seating	Scissor™ Chair	Sled™ Chair	Mantle Lounge Seating	Taper™ Chair	Tuxedo Component Lounge™/Tuxedo Classic Seating Quilted	Tuxedo Component Lounge™/Tuxedo Classic Seating Non-quilted	U-Series Lounge Seating
Price Category G																					
ZBU__ Bushel by Lisa Scull	•	•	•	•		•	•	•		•	•			•	•					•	
ZCU__ Circuit	•	•	•		•	•	•		•				•		•	•				•	•
ZC2__ Compound [N]	•	•	•		•	•	•		•	•	•		•		•	•				•	•
ZCZ__ Crew	•	•	•		•	•	•						•		•	•				•	•
ZDP__ Disperse	•	•	•		•	•	•		•		•		•		•	•				•	•
ZFC__ Fluent Crypton	•	•	•		•	•	•		•				•		•	•				•	•
8AR__ Gild	•	•	•	•	•	•	•	•	•					•	•	•		•		•	•
ZMM__ Mimic [N]	•	•	•		•	•	•		•				•		•	•				•	•
ZPR__ Pare	•	•	•		•	•	•	•	•				•	•	•	•				•	•
ZRF__ Runner	•		•			•	•								•	•				•	•
ZSD__ Sudden [N]	•	•	•		•	•	•		•				•		•	•					
Price Category H																					
ZAC__ Abacus	•	•	•		•	•	•						•		•	•				•	•
ZAN__ Anagram	•	•	•		•	•	•		•						•	•				•	
ZT__ Circles																					
ZS__ Crosspatch																					
ZK__ Dot Pattern																			3	3	
ZMC__ Mechanism	•	•	•		•	•	•						•		•	•					
ZMG__ Mister	•		•		•	•	•		•						•	•					•
ZQT__ Octave	•	•	•		•	•	•								•	•				•	•
ZQF__ Offset	•	•	•		•	•	•								•	•				•	•
ZRT__ Regatta	•	•	•		•	•	•		•				•		•	•				•	•
ZRU__ Rule	•		•			•	•								•					•	•
ZL__ Small Dot Pattern																			3	3	

continued on next page

Maharam®
Application Chart —
Ancillary Seating,
Geiger
continued

	Brabo™ Lounge Seating	Bumper™ Seating	Crosshatch™ Lounge Seating	Crosshatch Side Chair	Envelope™ Chair	Full Twist™ Chair	Landmark™ Chair	Leeway™ Seating	Nessel™ Chair	Reframe™ Lounge Seating High-Back Chair	Reframe Lounge Seating Mid-Back Chair	Reframe Lounge Seating Wing-Back Chair	Rolled Arm™ Sofa Group	Saiba™ Seating	Scissor™ Chair	Sled™ Chair	Mantle Lounge Seating	Taper™ Chair	Tuxedo Component Lounge™/Tuxedo Classic Seating Quilted	Tuxedo Component Lounge/Tuxedo Classic Seating Non-quilted	U-Series Lounge Seating
Price Category I																					
ZCW__ Colorwheel	•	•	•		•	•	•		•				•		•	•			•	•	•
7CW__ Cursive	•		•		•	•	•														
ZGN__ Garden	•	•	•		•	•	•		•				•		•	•				•	•
ZSY__ Study	•	•				•	•								•	•				•	
ZVS__ Vases	•	•	•		•	•	•		•				•		•	•				•	•
ZVY__ Vineyard	•	•	•		•	•	•		•				•		•	•				•	•
ZVG__ Voyage	•		•		•	•	•						•		•	•				•	•
Price Category J																					
ZCL__ Coach Cloth	•	•	•			•	•		•				•		•	•				•	•
ZDD__ Design 9297	•	•	•		•	•	•		•				•		•	•				•	•
ZFK__ Fluted Silk																					
V19__ Mikado																					
ZTG__ Tangram	•	•	•		•	•	•		•						•	•				•	•
ZTB__ Transport	•	•	•		•	•	•						•		•	•				•	•
ZWR__ Wool Rib	•	•	•		•	•	•						•		•	•				•	•
Price Category K																					
V12__ Checker	•	•	•		•	•	•		•						•	•				•	•
V13__ Checker Split	•	•	•		•	•	•		•						•	•				•	•
ZDB__ Dingbats	•	•	•		•	•	•		•				•		•	•				•	•
V14__ Double Triangles	•	•	•		•	•	•		•				•		•	•				•	•
V15__ Facets	•	•	•		•	•	•		•				•		•	•				•	•
ZQP__ Optik	•	•	•		•	•	•		•				•		•	•				•	•
ZQR__ Orakelblume	•	•	•		•	•	•		•				•		•	•				•	•
ZPS__ Painted Stripe	•	•	•		•	•	•		•						•	•				•	•
ZUN__ Unisol	•	•	•		•	•	•		•						•	•				•	•

continued on next page

Maharam®
Application Chart —
Ancillary Seating,
Geiger

continued

	Brabo™ Lounge Seating	Bumper™ Seating	Crosshatch™ Lounge Seating	Crosshatch Side Chair	Envelope™ Chair	Full Twist™ Chair	Landmark™ Chair	Leeway™ Seating	Nessel™ Chair	Reframe™ Lounge Seating High-Back Chair	Reframe Lounge Seating Mid-Back Chair	Reframe Lounge Seating Wing-Back Chair	Rolled Arm™ Sofa Group	Saiba™ Seating	Scissor™ Chair	Sled™ Chair	Mantle Lounge Seating	Taper™ Chair	Tuxedo Component Lounge™/Tuxedo Classic Seating Quilted	Tuxedo Component Lounge/Tuxedo Classic Seating Non-quilted	U-Series Lounge Seating
Price Category L																					
ZBN__ Blumen	•	•	•		•	•	•		•				•		•	•			•	•	•
ZEP__ Exaggerated Plaid	•	•	•		•	•	•								•	•					
ZGM__ Geometri	•	•	•		•	•	•		•				•		•	•				•	•
V16__ Jacobs Coat	•	•	•		•	•	•		•												
V17__ Millerstripe	•	•	•		•	•	•								•	•				•	
ZMW__ Monk's Wool																					
V11__ Palio				•				•													
ZPW__ Pebble Wool																					
ZPM__ Pebble Wool Multi																					
V21__ Quatrefoil			•	•	•	•	•	•	•						•	•			3	3	
ZRS__ Repeat Classic Stripe	•	•	•			•	•		•						•	•				•	•
ZRR__ Repeat Dot Ring	•	•	•		•	•	•		•						•	•				•	•
ZSP__ Stripes	•	•	•		•	•	•		•				•		•	•				•	•
ZTS__ The Story of My Life	•	•	•		•	•	•		•				•		•	•				•	•
V22__ Toostripe	•	•	•		•	•	•		•						•	•				•	•
Price Category M																					
V18__ Names			•	•	•	•	•	•	•						•	•				•	•
ZQN__ Ottoman Stripe	•	•	•		•	•	•		•						•	•				•	•
T11__ Pressed Plaid					•	•	•								•	•				•	•
T12__ Wool Striae					•	•	•								•	•					
Price Category N																					
ZAE__ Alpaca Epinglé	•	•	•		•	•	•						•		•	•				•	•
ZAV__ Alpaca Velvet	•	•	•		•	•	•						•		•	•					
ZBP__ Bespoke Stripe	•	•	•		•	•	•		•						•	•				•	•
ZKP__ Herringbone Stripe	•	•	•		•	•	•		•						•	•				•	•
ZPT__ Point	•	•	•		•	•	•								•	•					
ZWV__ Wool Velvet	•	•	•		•	•	•						•		•	•				•	•
Price Category O																					
ZBS__ Bavaria Stripe	•	•	•		•	•	•		•						•	•					
Price Category P																					
ZBR__ Big Stripe	•	•	•		•	•	•		•						•	•				•	•
ZBJ__ Brushed Merino	•	•	•		•	•	•		•					•	•	•				•	•
ZES__ Epinglé Stripe	•	•	•		•	•	•		•						•	•				•	•
ZLY__ Layers Garden	•	•	•		•	•	•		•				•		•	•				•	•
ZLP__ Layers Park	•	•	•		•	•	•		•				•		•	•				•	•
ZLV__ Layers Vineyard Large	•	•	•		•	•	•		•						•	•				•	•
ZLS__ Layers Vineyard Small	•	•	•		•	•	•		•				•		•	•				•	•
ZMS__ Mohair Supreme	•	•	•		•	•	•								•	•				•	•

continued on next page

Maharam®
Application Chart —
Ancillary Seating,
Geiger
continued

	Brabo™ Lounge Seating	Bumper™ Seating	Crosshatch™ Lounge Seating	Crosshatch Side Chair	Envelope™ Chair	Full Twist™ Chair	Landmark™ Chair	Leeway™ Seating	Nessel™ Chair	Reframe™ Lounge Seating High-Back Chair	Reframe Lounge Seating Mid-Back Chair	Reframe Lounge Seating Wing-Back Chair	Rolled Arm™ Sofa Group	Saiba™ Seating	Scissor™ Chair	Sled™ Chair	Mantle Lounge Seating	Taper™ Chair	Tuxedo Component Lounge™/Tuxedo Classic Seating Quilted	Tuxedo Component Lounge/Tuxedo Classic Seating Non-quilted	U-Series Lounge Seating	
Price Category Q																						
ZAB__ A Band Apart	•	•	•		•	•	•								•	•			•	•		
ZBA__ Brushed Camel	•	•	•		•	•	•		•				•		•	•				•	•	•
ZDS__ Deconstructed Rose			•		•	•																
ZMV__ Massive Paisley	•	•	•		•	•	•		•						•	•				•	•	
ZTF__ The Firm	•	•	•		•	•	•		•						•	•				•	•	•
Price Category R																						
ZBB__ Borders	•	•	•		•	•	•						•		•	•				•	•	
ZCA__ Compartment	•	•	•		•	•	•								•	•				•	•	
ZSV__ Stow Leather [N]	•	•	•	•	•	•	•	•	•	•	•	•	•	•	•	•	•	•	•	•	•	•
Price Category S																						
ZBV__ Bavaria	•	•	•		•	•	•		•						•	•						•
Price Category T																						
ZKR__ Hours	•	•	•		•	•	•								•	•						
Price Category U																						
ZLD__ Layers Garden Double	•	•	•		•	•	•						•		•	•						
ZLB__ Layers Park Double	•	•	•		•	•	•						•		•	•						
Price Category V-W																						
No fabrics available at this time.																						
Price Category X																						
ZED__ Eden	•	•			•	•									•						•	•
ZFG__ Foliage	•	•			•	•							•		•	•					•	•
Price Category Y																						
ZND__ Industry	•	•			•	•									•						•	•
Price Category Z																						
ZAG__ Agency	•	•	•		•	•	•								•	•					•	•
Leather Price Category 10M																						
ZPA__ Pace Leather [N]																	•					

1 Available in select colors. Refer to "Maharam Textile Colors - Ancillary Seating" for color offering.
3 Available on Tuxedo Classic Seating products only.

Maharam Textile Colors — Ancillary Seating

Price Category 1

No fabrics available at this time.

Price Category 2

Metaphor – Maharam

54" wide
100% polyester
Acrylic backing
ZMA01/466553-001 Afterfeather *
ZMA02/466553-002 Moonflower
ZMA03/466553-003 Handcraft
ZMA04/466553-004 Crossroad
ZMA05/466553-005 Chondrite
ZMA06/466553-006 Detective
ZMA07/466553-007 Steamship
ZMA08/466553-008 Electricity
ZMA09/466553-009 Takeoff
ZMA10/466553-010 Parachute
ZMA11/466553-011 Blueshift
ZMA12/466553-012 Dockyard
ZMA13/466553-013 Bathe
ZMA14/466553-014 Icebound
ZMA15/466553-015 Thermosphere
ZMA16/466553-016 Aboard
ZMA17/466553-017 Agateware
ZMA18/466553-018 Homeland
ZMA19/466553-019 Rockfall
ZMA20/466553-020 Undergrowth
ZMA21/466553-021 Gremolata
ZMA22/466553-022 Patina
ZMA23/466553-023 Sylvan
ZMA24/466553-024 Outfield
ZMA25/466553-025 Windbreak
ZMA26/466553-026 Saguaro

Metaphor *continued*

ZMA27/466553-027 Barnwood
ZMA28/466553-028 Cookshop
ZMA29/466553-029 Amandine
ZMA30/466553-030 Bodhran
ZMA31/466553-031 Centerstage
ZMA32/466553-032 Focaccia
ZMA33/466553-033 Bumblebee
ZMA34/466553-034 Microbrew
ZMA35/466553-035 Sauna
ZMA36/466553-036 Gazebo
ZMA37/466553-037 Pirouette
ZMA38/466553-038 Heartbeat
ZMA39/466553-039 Shino
ZMA40/466553-040 Sunrise
ZMA41/466553-041 Florist
ZMA42/466553-042 Beadwork
ZMA43/466553-043 Framboise
ZMA44/466553-044 Wisteria
ZMA45/466553-045 Warrior

* Colors not available on Eames Aluminum Group, Soft Pad, Sofa Compact, Molded Fiberglass/Plastic Chairs, Task Chair, Wire Chairs, Nelson Platform Bench Cushion, Swoop Plywood Lounge Chair.

Muse – Maharam

54" wide
100% post-consumer recycled polyester
81101/466487-001 Crescendo
81102/466487-002 Resonate
81103/466487-003 Runway
81104/466487-004 Ascend
81105/466487-005 Veil
81106/466487-006 Refresh
81107/466487-007 Clear
81108/466487-008 Fantasy
81109/466487-009 Miso
81110/466487-010 Compass
81111/466487-011 Bergamot
81112/466487-012 Grasshopper
81113/466487-013 Goal
81114/466487-014 Mistletoe
81115/466487-015 Seaglass
81116/466487-016 Frigid
81117/466487-017 Riverbend
81118/466487-018 Noble
81119/466487-019 Pulsar
81120/466487-020 Velella
81121/466487-021 Sailboat
81122/466487-022 Sparse
81123/466487-023 Vase
81124/466487-024 Haven
81125/466487-025 Mead
81126/466487-026 Neat
81127/466487-027 Jovial
81128/466487-028 Theater
81129/466487-029 Poinsettia
81130/466487-030 Celebrate
81131/466487-031 Spectacle

- Maharam textiles are on assigned lead times [A](#).
- Fabric numbers are listed as Herman Miller fabric number/Maharam fabric number.

Maharam Textile Colors — Ancillary Seating

continued

Price Category 3

Meld – Maharam	
54" wide	
68% post-consumer recycled polyester	
32% polyester	
PFOA-Free stain resistant	
ZM201/466387-201 Vast	
ZM202/466387-202 Panda **	
ZM203/466387-203 Skyline *	
ZM204/466387-204 Knight **	
ZM205/466387-205 Quill **	
ZM206/466387-206 Pipe	
ZM207/466387-207 Grate *	
ZM208/466387-208 Gloss	
ZM209/466387-209 Bulb	
ZM210/466387-210 Bride	
ZM211/466387-211 Stark	
ZM212/466387-212 Seashell	
ZM213/466387-213 Antler	
ZM214/466387-214 Crater *	
ZM215/466387-215 Perennial	
ZM216/466387-216 Mulberry	
ZM217/466387-217 Fuchsia *	
ZM218/466387-218 Amethyst *	
ZM219/466387-219 Merlot	
ZM220/466387-220 Magma *	
ZM221/466387-221 Rooster	
ZM222/466387-222 Heat *	
ZM223/466387-223 Clementine	
ZM224/466387-224 Fox	
ZM225/466387-225 Kiss *	
ZM226/466387-226 Bare	
ZM227/466387-227 Blonde	
ZM228/466387-228 Mimosa	
ZM229/466387-229 Comet *	
ZM230/466387-230 Honeydew	
ZM231/466387-231 Wild *	
ZM232/466387-232 Vine	
ZM233/466387-233 Seed	
ZM234/466387-234 Kale *	
ZM235/466387-235 Waterfall *	
ZM236/466387-236 Nordic *	
ZM237/466387-237 Reef *	
ZM238/466387-238 Wave	
ZM239/466387-239 Isle **	

Meld continued	
ZM240/466387-240 Creek	
ZM241/466387-241 Mariner *	
ZM242/466387-242 Globe	
ZM243/466387-243 Spa	

* Colors available on 20-day lead time.
 ** Colors available on 10-day lead time.

Price Category 4

Lariat – Maharam	
54" wide	
100% vinyl	
ZLR01/440401-001 001	
ZLR02/440401-002 002	
ZLR03/440401-003 003	
ZLR04/440401-004 004	
ZLR06/440401-006 006	
ZLR07/440401-007 007	
ZLR08/440401-008 008	
ZLR10/440401-010 010	
ZLR11/440401-011 011	
ZLR12/440401-012 012	
ZLR13/440401-013 013	
ZLR14/440401-014 014	
ZLR15/440401-015 015	
ZLR16/440401-016 016	
ZLR18/440401-018 018	
ZLR20/440401-020 020	
ZLR21/440401-021 021	
ZLR23/440401-023 023	
ZLR24/440401-024 024	
ZLR25/440401-025 025	
ZLR26/440401-026 026	
ZLR27/440401-027 027	
ZLR28/440401-028 028	
ZLR29/440401-029 029	
ZLR30/440401-030 030	
ZLR31/440401-031 031	
ZLR32/440401-032 032	
ZLR33/440401-033 033	
ZLR34/440401-034 034	
ZLR35/440401-035 035	
ZLR36/440401-036 036	
ZLR37/440401-037 037	
ZLR38/440401-038 038	

Price Category 5

Method - Maharam	
54" wide	
100% recycled polyester	
with 9% ocean-bound plastic	
40G01/466579-001 Inspire	
40G02/466579-002 Rhea	
40G03/466579-003 Noise	
40G04/466579-004 Speedway	
40G05/466579-005 Villanelle	
40G06/466579-006 Maestro	
40G07/466579-007 Destiny	
40G08/466579-008 Possess	
40G09/466579-009 Waterside	
40G10/466579-010 Relax	
40G11/466579-011 Delightful	
40G12/466579-012 Parrotlet	
40G13/466579-013 Verdurous	
40G14/466579-014 Bosky	
40G15/466579-015 Acreage	
40G16/466579-016 Allude	
40G17/466579-017 Tweed	
40G18/466579-018 Korma	
40G19/466579-019 Fossilize	
40G20/466579-020 Cattail	
40G21/466579-021 Shortcake	
40G22/466579-022 Racecar	
40G23/466579-023 Courtship	
40G24/466579-024 Jam	
40G25/466579-025 Sparrow	

Price category 5 continued on next page

- Maharam textiles are on assigned lead times [A](#).
- Fabric numbers are listed as Herman Miller fabric number/Maharam fabric number.

Maharam Textile Colors — Ancillary Seating

continued

Price Category 5

continued

Nico - Maharam	
54" wide	
63% wool	
21% polyester	
16% solution-dyed nylon	
ZNC01/466564-001	Alcazar
ZNC02/466564-002	Ironclad
ZNC03/466564-003	Tune
ZNC04/466564-004	Bridegroom
ZNC05/466564-005	Diode
ZNC06/466564-006	Jest
ZNC07/466564-007	Sanctuary
ZNC08/466564-008	Aquarius
ZNC09/466564-009	Houseboat
ZNC10/466564-010	Olympian
ZNC11/466564-011	Tennis
ZNC12/466564-012	Dressage
ZNC13/466564-013	Zing
ZNC14/466564-014	Bitterroot
ZNC15/466564-015	Gemini
ZNC16/466564-016	Posh
ZNC17/466564-017	Sizzle
ZNC18/466564-018	Cheerful
ZNC19/466564-019	Watermelon
ZNC20/466564-020	Toucan
ZNC21/466564-021	Rosin
ZNC22/466564-022	Jousting
ZNC23/466564-023	Jojoba
ZNC24/466564-024	Dromedary
ZNC25/466564-025	Toasty
ZNC26/466564-026	Casaba
ZNC27/466564-027	Greenhouse
ZNC28/466564-028	Sibyl
ZNC29/466564-029	Spearmint
ZNC30/466564-030	Pothos
ZNC31/466564-031	Calathea
ZNC32/466564-032	Landscape
ZNC33/466564-033	Espalier
ZNC34/466564-034	Gecko
ZNC35/466564-035	Meditation

Price Category 6

No fabrics available at this time.

Price Category 7

Beck – Maharam	
55" wide	
78% wool	
22% nylon	
ZB301/466571-001	Overshadow
ZB302/466571-002	Molecule
ZB303/466571-003	Zeitgeist
ZB304/466571-004	Blacksmith
ZB305/466571-005	Cornerstone
ZB306/466571-006	Chainmail
ZB307/466571-007	Buckram
ZB308/466571-008	Callisto
ZB309/466571-009	Interlude
ZB310/466571-010	Letterpress
ZB311/466571-011	Memoir
ZB312/466571-012	Litmus
ZB313/466571-013	Stoic
ZB314/466571-014	Inkpad
ZB315/466571-015	Praxis
ZB316/466571-016	Astute
ZB317/466571-017	Percolate
ZB318/466571-018	Halocline
ZB319/466571-019	Semblance
ZB320/466571-020	Loch
ZB321/466571-021	Lido
ZB322/466571-022	Underwater
ZB323/466571-023	Tetrapod
ZB324/466571-024	Nymph
ZB325/466571-025	Appalachian
ZB326/466571-026	Menthol
ZB327/466571-027	Woodruff
ZB328/466571-028	Malachite
ZB329/466571-029	Botanist
ZB330/466571-030	Woodlet
ZB331/466571-031	Katydid
ZB332/466571-032	Exuberant
ZB333/466571-033	Retrospect
ZB334/466571-034	Lambic
ZB335/466571-035	Argil
ZB336/466571-036	Brushstroke
ZB337/466571-037	Candescent
ZB338/466571-038	Reedbuck
ZB339/466571-039	Clayware
ZB340/466571-040	Curio
ZB341/466571-041	Whimsy

Beck continued	
ZB342/466571-042	Effervescent
ZB343/466571-043	Lingonberry
ZB344/466571-044	Resplendent
ZB345/466571-045	Hollyhock
ZB346/466571-046	Filigree
ZB347/466571-047	Plutonic
ZB348/466571-048	Foundry
ZB349/466571-049	Patisserie
ZB390	Gold 007/032/033 *
ZB391	Russet 036/040/039 *
ZB392	Indigo 008/013/014 *
ZB393	Forest 006/031/028 *

* Colors available only on Girard Color Wheel Ottoman.

Cumulus - Maharam	
54" wide	
100% biodegradable	
post-consumer recycled polyester	
6VQ01/466609-001	Lenticular
6VQ02/466609-002	Provoke
6VQ03/466609-003	Matrix
6VQ04/466609-004	Saturate
6VQ05/466609-005	Anabranch
6VQ06/466609-006	Outward
6VQ07/466609-007	Backwoods
6VQ08/466609-008	Dreamer
6VQ09/466609-009	Incandescent
6VQ10/466609-010	Minute
6VQ11/466609-011	Bungalow
6VQ12/466609-012	Temperature
6VQ13/466609-013	Stiletto
6VQ14/466609-014	Precise
6VQ15/466609-015	Floccus

- Maharam textiles are on assigned lead times ^A.
- Fabric numbers are listed as Herman Miller fabric number/Maharam fabric number.

Maharam Textile Colors — Ancillary Seating

continued

Price Category 8

Luce - Maharam	
59" wide	
75% post-consumer recycled wool	
20% polyester	
5% nylon	
ZLU01/466566-001	Brioche
ZLU02/466566-002	Blanched
ZLU03/466566-003	Relic
ZLU04/466566-004	Sinter
ZLU05/466566-005	Scoria
ZLU06/466566-006	Austere
ZLU07/466566-007	Pigment
ZLU08/466566-008	Alkali
ZLU09/466566-009	Tidal
ZLU10/466566-010	Imbue
ZLU11/466566-011	Reservoir
ZLU12/466566-012	Brine
ZLU13/466566-013	Undertone
ZLU14/466566-014	Prelude
ZLU15/466566-015	Submerge
ZLU16/466566-016	Cypress
ZLU17/466566-017	Awash
ZLU18/466566-018	Adriatic
ZLU19/466566-019	Province
ZLU20/466566-020	Virescent
ZLU21/466566-021	Nettle
ZLU22/466566-022	Agrarian
ZLU23/466566-023	Serpentine
ZLU24/466566-024	Laurel
ZLU25/466566-025	Clarion
ZLU26/466566-026	Gooseberry
ZLU27/466566-027	Swelter
ZLU28/466566-028	Etruscan
ZLU29/466566-029	Coulis
ZLU30/466566-030	Rubescens
ZLU31/466566-031	Akoya
ZLU32/466566-032	Radiant
ZLU33/466566-033	Regent
ZLU34/466566-034	Spectral
ZLU35/466566-035	Thistle

Tempo – Maharam	
55" wide	
100% polyester	
Polyester backing	
26S01/466589-001	Chert
26S02/466589-002	Grandstand
26S03/466589-003	Restful
26S04/466589-004	Battleship
26S05/466589-005	Lavender
26S06/466589-006	Dockside
26S07/466589-007	Swimming
26S08/466589-008	Ambience
26S09/466589-009	Adornment
26S10/466589-010	Remedy
26S11/466589-011	Fang
26S12/466589-012	Inshore
26S13/466589-013	Camouflage
26S14/466589-014	Mesclun
26S15/466589-015	Farmland
26S16/466589-016	Tadpole
26S17/466589-017	Purr
26S18/466589-018	Snowman
26S19/466589-019	Beehive
26S20/466589-020	Gazelle
26S21/466589-021	Shiitake
26S22/466589-022	Flaxseed
26S23/466589-023	Crawdad
26S24/466589-024	Flowery
26S25/466589-025	Burgundy
26S26/466589-026	Rangoli
26S27/466589-027	Petunia
26S28/466589-028	Campsite

Price Category 9

Campana – Maharam	
59" wide	
85% wool	
15% nylon	
ZC001/466571-001	Viverine
ZC002/466571-002	Lithograph
ZC003/466571-003	Moonscape
ZC004/466571-004	Brevity
ZC005/466571-005	Linear
ZC006/466571-006	Hinterland
ZC007/466571-007	Mural
ZC008/466571-008	Sloe
ZC009/466571-009	Interstellar
ZC010/466571-010	Mythology
ZC011/466571-011	Scintillate
ZC012/466571-012	Succession
ZC013/466571-013	Visceral
ZC014/466571-014	Hemisphere
ZC015/466571-015	Troposphere
ZC016/466571-016	Skye
ZC017/466571-017	Seaward
ZC018/466571-018	Nemorous
ZC019/466571-019	Allegory
ZC020/466571-020	Olivine
ZC021/466571-021	Reptilian
ZC022/466571-022	Basil
ZC023/466571-023	Fanleaf
ZC024/466571-024	Beachgrass
ZC025/466571-025	Hayfield
ZC026/466571-026	Freesia
ZC027/466571-027	Rhodium
ZC028/466571-028	Undercoat
ZC029/466571-029	Airbrush
ZC030/466571-030	Shellfish
ZC031/466571-031	Mojave
ZC032/466571-032	Renaissance
ZC033/466571-033	Decoupage
ZC034/466571-034	Outback
ZC035/466571-035	Millipede

Gemma – Maharam	
55" wide	
85% wool	
15% nylon	
ZGE01/466568-001	Crinoline
ZGE02/466568-002	Angelic
ZGE03/466568-003	Savory
ZGE04/466568-004	Honeycomb
ZGE05/466568-005	Gilded
ZGE06/466568-006	Paddleboat
ZGE07/466568-007	Stagecoach
ZGE08/466568-008	Waterbuck
ZGE09/466568-009	Earnest
ZGE10/466568-010	Auric
ZGE11/466568-011	Carmine
ZGE12/466568-012	Serape
ZGE13/466568-013	Ferric
ZGE14/466568-014	Canyon
ZGE15/466568-015	Alembic
ZGE16/466568-016	Patio
ZGE17/466568-017	Sorrel
ZGE18/466568-018	Root
ZGE19/466568-019	Mansion
ZGE20/466568-020	Buff
ZGE21/466568-021	Starch
ZGE22/466568-022	Dawn
ZGE23/466568-023	Countryside
ZGE24/466568-024	Dewy
ZGE25/466568-025	Reliquary
ZGE26/466568-026	Deluge
ZGE27/466568-027	Overlay
ZGE28/466568-028	Electron
ZGE29/466568-029	Sheath
ZGE30/466568-030	Quietude
ZGE31/466568-031	Jargon
ZGE32/466568-032	Powder
ZGE33/466568-033	Tide
ZGE34/466568-034	Outwash
ZGE35/466568-035	Enamored
ZGE36/466568-036	Smitten
ZGE37/466568-037	Revere
ZGE38/466568-038	Mangosteen
ZGE39/466568-039	Allium
ZGE40/466568-040	Immense
ZGE41/466568-041	Chamber

- Maharam textiles are on assigned lead times [A](#).
- Fabric numbers are listed as Herman Miller fabric number/Maharam fabric number.

Price category 9 continued on next page

Maharam Textile Colors — Ancillary Seating

continued

Price Category 9

continued

Gemma continued	
ZGE42/466568-042	Cosmos
ZGE43/466568-043	Inkling
ZGE44/466568-044	Rainwater
ZGE45/466568-045	Shade
ZGE46/466568-046	Pendant
ZGE47/466568-047	Axial
ZGE48/466568-048	Fervent
ZGE49/466568-049	Legacy
ZGE50/466568-050	Caliber
ZGE51/466568-051	Temple
ZGE52/466568-052	Evenfall

Jasper - Maharam	
53" wide	
55% wool	
27% solution-dyed nylon	
18% cotton	
ZJA01/466563-001	Thrill
ZJA02/466563-002	Anise
ZJA03/466563-003	Grapefruit
ZJA04/466563-004	Lifeguard
ZJA05/466563-005	Heartfelt
ZJA06/466563-006	Corsage
ZJA07/466563-007	Earthenware
ZJA08/466563-008	Bear
ZJA09/466563-009	Firelight
ZJA10/466563-010	Dreamcatcher
ZJA11/466563-011	Bobcat
ZJA12/466563-012	Glacial
ZJA13/466563-013	Vaporize
ZJA14/466563-014	Trapdoor
ZJA15/466563-015	Halcyon
ZJA16/466563-016	Observatory
ZJA17/466563-017	Steamboat
ZJA18/466563-018	Aquathlon
ZJA19/466563-019	Cloudless
ZJA20/466563-020	Briny
ZJA21/466563-021	Magical
ZJA22/466563-022	Picnic
ZJA23/466563-023	Herbage
ZJA24/466563-024	Pasture
ZJA25/466563-025	Courtyard
ZJA26/466563-026	Leapfrog

Price Category 10

Firma – Maharam	
55" wide	
78% wool	
22% nylon	
3KH01/466582-001	Wrath
3KH02/466582-002	Pantomime
3KH03/466582-003	Shaded
3KH04/466582-004	Prologue
3KH05/466582-005	Framework
3KH06/466582-006	Railroad
3KH07/466582-007	Grommet
3KH08/466582-008	Lunisolar
3KH09/466582-009	Snowpack
3KH10/466582-010	Coldsnap
3KH11/466582-011	Sealift
3KH12/466582-012	Brood
3KH13/466582-013	Intertidal
3KH14/466582-014	Confide
3KH15/466582-015	Secluded
3KH16/466582-016	Leisure
3KH17/466582-017	Portfolio
3KH18/466582-018	Strato
3KH19/466582-019	Fogbow
3KH20/466582-020	Snowcone
3KH21/466582-021	Kazoo
3KH22/466582-022	Esteem
3KH23/466582-023	Mackerel
3KH24/466582-024	Brooch
3KH25/466582-025	Caesious
3KH26/466582-026	Islet
3KH27/466582-027	Biosphere
3KH28/466582-028	Hilltop
3KH29/466582-029	Arboreal
3KH30/466582-030	Lineage
3KH31/466582-031	Comfrey
3KH32/466582-032	Circe
3KH33/466582-033	Ecosystem
3KH34/466582-034	Knack
3KH35/466582-035	Watt
3KH36/466582-036	Epiphany
3KH37/466582-037	Gamma
3KH38/466582-038	Taxicab
3KH39/466582-039	Varietal
3KH40/466582-040	Tale

Firma continued	
3KH41/466582-041	Elemental
3KH42/466582-042	Cuff
3KH43/466582-043	Emu
3KH44/466582-044	Tempeh
3KH45/466582-045	Tephra
3KH46/466582-046	Shellac
3KH47/466582-047	Emporium
3KH48/466582-048	Keratin
3KH49/466582-049	Camwood
3KH50/466582-050	Gloam
3KH51/466582-051	Novela
3KH52/466582-052	Fruitpunch
3KH53/466582-053	Decant
3KH54/466582-054	Milkshake
3KH55/466582-055	Metaphysic
3KH56/466582-056	Carafe
3KH57/466582-057	Voyager
3KH58/466582-058	Tenebrous
3KH59/466582-059	Subtext
3KH60/466582-060	Silent

Gemma Multi – Maharam	
55" wide	
85% wool	
15% nylon	
ZGF01/466569-001	Andromeda
ZGF02/466569-002	Dappled
ZGF03/466569-003	Lyra
ZGF04/466569-004	Flaunt
ZGF05/466569-005	Celluloid
ZGF06/466569-006	Hydrozoa
ZGF07/466569-007	Firefly
ZGF08/466569-008	Pisces
ZGF09/466569-009	Strath
ZGF10/466569-010	Erosion
ZGF11/466569-011	Cabaret
ZGF12/466569-012	Candytuft
ZGF13/466569-013	Juice
ZGF14/466569-014	Fairground
ZGF15/466569-015	Copperplate
ZGF16/466569-016	Sunbird
ZGF17/466569-017	Cinematic
ZGF18/466569-018	Clairvoyant

Gemma Multi continued	
ZGF19/466569-019	Crocus
ZGF20/466569-020	Memor
ZGF21/466569-021	Roulette
ZGF22/466569-022	Voltaic
ZGF23/466569-023	Compote
ZGF24/466569-024	Lambent
ZGF25/466569-025	Twister
ZGF26/466569-026	Chronicle
ZGF27/466569-027	Sidereal
ZGF28/466569-028	Tanzanite
ZGF29/466569-029	Crystalize
ZGF30/466569-030	Chromium
ZGF31/466569-031	Pallium
ZGF32/466569-032	Spectre
ZGF33/466569-033	Courgette
ZGF34/466569-034	Viper
ZGF35/466569-035	Sunlit
ZGF36/466569-036	Heavenly
ZGF37/466569-037	Vernal
ZGF38/466569-038	Cress
ZGF39/466569-039	Limn
ZGF40/466569-040	Horseradish
ZGF41/466569-041	Shandy
ZGF42/466569-042	Granary
ZGF43/466569-043	Percolate
ZGF44/466569-044	Motor
ZGF45/466569-045	Unicorn
ZGF46/466569-046	Lobster
ZGF47/466569-047	Rhododendron
ZGF48/466569-048	Taffy
ZGF49/466569-049	Rishi
ZGF50/466569-050	Backcountry
ZGF51/466569-051	Buckthorn
ZGF52/466569-052	Coniferous
ZGF53/466569-053	Delphic
ZGF54/466569-054	Hieroglyph
ZGF55/466569-055	Eiderdown
ZGF56/466569-056	Sandbar
ZGF57/466569-057	Tanager

Price category 10 continued on next page

- Maharam textiles are on assigned lead times [A](#).
- Fabric numbers are listed as Herman Miller fabric number/Maharam fabric number.

Maharam Textile Colors – Ancillary Seating

continued

Price Category 10

continued

Appendix: Maharam Textile Colors – Ancillary Seating

Gemma Multi Reverse – Maharam

55" wide	
85% wool	
15% nylon	
ZGF58/466569-101	Andromeda
	Reverse
ZGF59/466569-102	Dappled
	Reverse
ZGF60/466569-103	Lyra
	Reverse
ZGF61/466569-104	Flaut
	Reverse
ZGF62/466569-105	Celluloid
	Reverse
ZGF63/466569-106	Hydrozoa
	Reverse
ZGF64/466569-107	Firefly
	Reverse
ZGF65/466569-108	Pisces
	Reverse
ZGF66/466569-109	Strath
	Reverse
ZGF67/466569-110	Erosion
	Reverse
ZGF68/466569-111	Cabaret
	Reverse
ZGF69/466569-112	Candytuft
	Reverse
ZGF70/466569-113	Juice
	Reverse
ZGF71/466569-114	Fairground
	Reverse
ZGF72/466569-115	Copperplate
	Reverse
ZGF73/466569-116	Sunbird
	Reverse
ZGF74/466569-117	Cinematic
	Reverse
ZGF75/466569-118	Clairvoyant
	Reverse
ZGF76/466569-119	Crocus
	Reverse
ZGF77/466569-120	Memoir
	Reverse

Gemma Multi Reverse continued

ZGF78/466569-121	Roulette
	Reverse
ZGF79/466569-122	Voltaic
	Reverse
ZGF80/466569-123	Compote
	Reverse
ZGF81/466569-124	Lambent
	Reverse
ZGF82/466569-125	Twister
	Reverse
ZGF83/466569-126	Chronicle
	Reverse
ZGF84/466569-127	Sidereal
	Reverse
ZGF85/466569-128	Tanzanite
	Reverse
ZGF86/466569-129	Crystalize
	Reverse
ZGF87/466569-130	Chromium
	Reverse
ZGF88/466569-131	Pallium
	Reverse
ZGF89/466569-132	Spectre
	Reverse
ZGF90/466569-133	Courgette
	Reverse
ZGF91/466569-134	Viper
	Reverse
ZGF92/466569-135	Sunlit
	Reverse
ZGF93/466569-136	Heavenly
	Reverse
ZGF94/466569-137	Vernal
	Reverse
ZGF95/466569-138	Cress
	Reverse
ZGF96/466569-139	Limn
	Reverse
ZGF97/466569-140	Horseradish
	Reverse
ZGF98/466569-141	Shandy
	Reverse
ZGF99/466569-142	Granary
	Reverse

Gemma Multi Reverse continued

ZGFA0/466569-143	Percolate
	Reverse
ZGFA1/466569-144	Motor
	Reverse
ZGFA2/466569-145	Unicorn
	Reverse
ZGFA3/466569-146	Lobster
	Reverse
ZGFA4/466569-147	Rhododendron
	Reverse
ZGFA5/466569-148	Taffy
	Reverse
ZGFA6/466569-149	Rishi
	Reverse
ZGFA7/466569-150	Backcountry
	Reverse
ZGFA8/466569-151	Buckthorn
	Reverse
ZGFA9/466569-152	Coniferous
	Reverse
ZGFB0/466569-153	Delphic
	Reverse
ZGFB1/466569-154	Hieroglyph
	Reverse
ZGFB2/466569-155	Eiderdown
	Reverse
ZGFB3/466569-157	Tanager
	Reverse

Petra - Maharam

55" wide	
70% wool	
19% linen	
11% nylon	
ZP401/466580-001	Hieroglyph
ZP402/466580-002	Interior
ZP403/466580-003	Samovar
ZP404/466580-004	Calcite
ZP405/466580-005	Silversmith
ZP406/466580-006	Rivet
ZP407/466580-007	Carpolite
ZP408/466580-008	Bonbon
ZP409/466580-009	Dreamy
ZP410/466580-010	Bejewel

Petra continued

ZP411/466580-011	Sashimi
ZP412/466580-012	Spirula
ZP413/466580-013	Chalet
ZP414/466580-014	Reindeer
ZP415/466580-015	Nostalgia
ZP416/466580-016	Trove
ZP417/466580-017	Narcissus
ZP418/466580-018	Yurt
ZP419/466580-019	Congee
ZP420/466580-020	Genepy
ZP421/466580-021	Herbaceous
ZP422/466580-022	Paddock
ZP423/466580-023	Precious
ZP424/466580-024	Biome
ZP425/466580-025	Tinted
ZP426/466580-026	Pelagic
ZP427/466580-027	Bluebill
ZP428/466580-028	Chicory
ZP429/466580-029	Eaglet
ZP430/466580-030	Permafrost
ZP431/466580-031	Atlantic
ZP432/466580-032	Airstream
ZP433/466580-033	Debonair

Superweave - Maharam

54" wide	
75% polyester	
25% cotton	
Z2203/466241-005	Sienna
Z2204/466241-002	Ochre
Z2207/466241-004	Marine
Z2208/466241-003	Olive
Z2220/466241-001	Orange and Pink

- Maharam textiles are on assigned lead times **A**.
- Fabric numbers are listed as Herman Miller fabric number/Maharam fabric number.

Maharam Textile Colors — Ancillary Seating

continued

Price Category 11	Price Category 12-13	Price Category 14	Price Category A
<p>Prone Leather - Maharam approx. 50 sq. ft. per hide 100% leather protective top coat</p> <p>1NX01/700020-001 Lotus 1NX02/700020-002 Timbre 1NX03/700020-003 Essence 1NX04/700020-004 Script 1NX05/700020-005 Gambit 1NX06/700020-006 Obsidian 1NX07/700020-007 Sail 1NX09/700020-009 Vine 1NX10/700020-010 Yarrow 1NX13/700020-013 Balsa 1NX14/700020-014 Shore 1NX15/700020-015 Bricolage 1NX17/700020-017 Ledge 1NX19/700020-019 Mantra 1NX20/700020-020 Java 1NX21/700020-021 Lute 1NX22/700020-022 Glow 1NX23/700020-023 Hickory</p>	<p>No fabrics available at this time.</p>	<p>Lanalux - Maharam 54" wide 100% wool</p> <p>Z1375/466240-005 Black/White Z1378/466240-006 Olive/Black Z1380/466240-001 Natural Z1383/466240-002 Umber Z1384/466240-007 Natural/Black Z1386/466240-003 Orange Z1387/466240-004 Crimson</p>	<p>No fabrics available at this time.</p>

- Maharam textiles are on assigned lead times [A](#).
- Fabric numbers are listed as Herman Miller fabric number/Maharam fabric number.

Maharam Textile Colors — Ancillary Seating

continued

Appendix: Maharam Textile Colors — Ancillary Seating

Price Category B

Medium – Maharam

54" wide
100% polyester
VM01/463490-001 Raven
VM02/463490-002 Smoke
VM03/463490-003 Alloy
VM04/463490-004 Flax
VM07/463490-007 Espresso
VM08/463490-008 Pecan
VM14/463490-014 Laser
VM16/463490-016 Port
VM22/463490-022 Marina
VM29/463490-029 Pistachio
VM32/463490-032 Prospect
VM36/463490-036 Delight
VM39/463490-039 Nautical
VM40/463490-040 Pool
VM44/463490-044 Washed
VM45/463490-045 Sculpture
VM46/463490-046 Thatched
VM47/463490-047 Hike
VM48/463490-048 Tangle
VM49/463490-049 Pacific
VM50/463490-050 Cosmic
VM51/463490-051 Cascade
VM52/463490-052 Blackberry
VM53/463490-053 Nasturtium

Messenger – Maharam

54" wide
78% post-industrial recycled polyester
15% polyester, 7% nylon
TI07/458640-007 Shadow
TI08/458640-008 Bayou *
TI24/458640-024 Poppy
TI25/458640-025 Mao
TI29/458640-029 Onyx *
TI31/458640-031 Cloud *
TI38/458640-038 Depth *
TI40/458640-040 Nile *
TI41/458640-041 Azure *
TI45/458640-045 Cactus *

Messenger continued

TI46/458640-046 Ice * **
TI48/458640-048 Neon
TI50/458640-050 Hydrangea
TI53/458640-053 Tangelo
TI54/458640-054 Lumine *
TI58/458640-058 Snow **
TI60/458640-060 Peridot
TI61/458640-061 Capri *
TI62/458640-062 Ultramarine
TI63/458640-063 Squall
TI66/458640-066 Cassis
TI67/458640-067 Aster
TI69/458640-069 Cherry
TI70/458640-070 Vibrant
TI71/458640-071 Satsuma *
TI72/458640-072 Maize
TI76/458640-076 Fossil
TI77/458640-077 Ash
TI78/458640-078 Tusk
TI79/458640-079 Oyster **
TI81/458640-081 Husk
TI84/458640-084 Robust
TI85/458640-085 Beyond
TI86/458640-086 Voyage *
TI87/458640-087 Everglade
TI89/458640-089 Blanch
TI90/458640-090 Longspur
TI91/458640-091 Vireo
TI92/458640-092 Dipper
TI93/458640-093 Gale
TI94/458640-094 Hunter
TI95/458640-095 Lime
TI96/458640-096 Apple
TI97/458640-097 Krill
TI98/458640-098 Catalyst

* Colors available on 20-day lead time.

** Colors not available on Eames Molded Fiberglass and Molded Plastic Side Chairs.

Price Category C

Manner - Maharam

54" wide
65% post-industrial recycled polyester
35% post-consumer recycled polyester
Z2701/466177-001 Magic
Z2702/466177-002 Carob
Z2703/466177-003 Porpoise
Z2704/466177-004 Flint
Z2705/466177-005 Hush *
Z2706/466177-006 Nuance
Z2711/466177-011 Ember
Z2712/466177-012 Wagon
Z2713/466177-013 Ablaze
Z2714/466177-014 Peel
Z2716/466177-016 Butterscotch
Z2717/466177-017 Harvest
Z2720/466177-020 Parakeet
Z2722/466177-022 Aquatic
Z2723/466177-023 Cottage
Z2724/466177-024 Dahlia
Z2725/466177-025 Vivid
Z2726/466177-026 Basin
Z2727/466177-027 Schooner
Z2728/466177-028 Slope
Z2729/466177-029 Silverpoint
Z2730/466177-030 Lattice
Z2731/466177-031 Smoky
Z2732/466177-032 Magnetic
Z2733/466177-033 Woad
Z2734/466177-034 Resolute
Z2735/466177-035 Cruise
Z2736/466177-036 Atmospheric
Z2737/466177-037 Cloudburst
Z2738/466177-038 Tidewater
Z2739/466177-039 Firth
Z2740/466177-040 Oceanside
Z2741/466177-041 Grandeur
Z2742/466177-042 Comfort
Z2743/466177-043 Dill
Z2744/466177-044 Poplar
Z2745/466177-045 Citronella
Z2746/466177-046 Passerine

Manner continued

Z2747/466177-047 Southwest
Z2748/466177-048 Roseate
Z2749/466177-049 Charisma
Z2750/466177-050 Siltstone
Z2751/466177-051 Kimono
Z2752/466177-052 Valiant
Z2753/466177-053 Baroness

* Color not available on Eames Aluminum Group, Executive Chairs, Upholstered Molded Plywood Chairs, and Sofa Compact.

Merit - Maharam

54" wide
76% post-industrial recycled polyester
24% polyester
PFOA-Free stain resistant
88Z01/466444-001 Trickle
88Z02/466444-002 Beluga
88Z03/466444-003 Gunmetal
88Z04/466444-004 Blackout
88Z05/466444-005 Superior
88Z06/466444-006 Ocean
88Z07/466444-007 Highborn
88Z08/466444-008 Immersed
88Z09/466444-009 Rainfall
88Z10/466444-010 Blizzard
88Z11/466444-011 Poolside
88Z12/466444-012 Steel
88Z13/466444-013 Zircon
88Z14/466444-014 Ripple
88Z15/466444-015 Aegean
88Z16/466444-016 Armada
88Z17/466444-017 Hedera
88Z18/466444-018 Rainforest
88Z19/466444-019 Gator
88Z20/466444-020 Vineyard
88Z21/466444-021 Pine
88Z22/466444-022 Kiwi
88Z23/466444-023 Kookaburra

Price category C continued on next page

- Maharam textiles are on assigned lead times [A](#).
- Fabric numbers are listed as Herman Miller fabric number/Maharam fabric number.

Maharam Textile Colors – Ancillary Seating

continued

Price Category C

continued

Merit continued	
88Z24/466444-024	Bellini
88Z25/466444-025	Sunflower
88Z26/466444-026	Sandstorm
88Z27/466444-027	Mudder
88Z28/466444-028	Lynx
88Z29/466444-029	Farro
88Z30/466444-030	Manila
88Z31/466444-031	Starfish
88Z32/466444-032	Brass
88Z33/466444-033	Arrow
88Z34/466444-034	Gelato
88Z35/466444-035	Nectarine
88Z36/466444-036	Macaron
88Z37/466444-037	Alert
88Z38/466444-038	Goji
88Z39/466444-039	Cabernet
88Z40/466444-040	Eggplant
88Z41/466444-041	Hawk
88Z42/466444-042	Stag
88Z43/466444-043	Overcast

Metric – Maharam	
54" wide	
51% post-industrial recycled polyester	
49% polyester	
Z302/466014-002	Fog
Z303/466014-003	Fleece
Z312/466014-012	Cardinal
Z313/466014-013	Lava
Z318/466014-018	Pollen
Z320/466014-020	Alligator
Z323/466014-023	Tar
Z324/466014-024	Anchor
Z326/466014-026	Admiral
Z327/466014-027	Seaport
Z328/466014-028	Scuba
Z329/466014-029	Skate
Z330/466014-030	Hopscotch
Z331/466014-031	Film
Z332/466014-032	Whale
Z333/466014-033	Downpour
Z334/466014-034	Midday

Metric continued	
Z335/466014-035	Talisman
Z336/466014-036	Hedgerow
Z337/466014-037	Snorkel
Z338/466014-038	Highway
Z339/466014-039	Canary
Z340/466014-040	Sunny
Z341/466014-041	Aztec
Z342/466014-042	Fruit
Z343/466014-043	Galah
Z344/466014-044	Kiln
Z345/466014-045	Moth

Milestone – Maharam	
54" wide	
78% post-industrial recycled polyester	
15% polyester	
7% nylon	
ZML22/403901-022	Pewter
ZML25/403901-025	Charcoal
ZML26/403901-026	Ebony
ZML47/403901-047	Rush
ZML54/403901-054	Linger
ZML55/403901-055	Embrace
ZML57/403901-057	Coffee
ZML58/403901-058	Bison
ZML61/403901-061	Tiger Lily
ZML71/403901-071	Daffodil
ZML78/403901-078	Spruce
ZML79/403901-079	Fountain

Murmur - Maharam	
55" wide	
100% polyester	
PFOA-Free stain resistant	
8EY01/466446-001	Gust
8EY02/466446-002	Harmonica
8EY03/466446-003	Canopy
8EY04/466446-004	Dim
8EY05/466446-005	Peppercorn
8EY06/466446-006	Cauldron
8EY07/466446-007	Conquer
8EY08/466446-008	Rapids
8EY09/466446-009	Seawater
8EY10/466446-010	Baby
8EY11/466446-011	Elderberry
8EY12/466446-012	Iceberg
8EY13/466446-013	Tallgrass
8EY14/466446-014	Underground
8EY15/466446-015	Biome
8EY16/466446-016	Cask
8EY17/466446-017	Argan
8EY18/466446-018	Sundown
8EY19/466446-019	Ignite
8EY20/466446-020	Sultry
8EY21/466446-021	Sangria

Price Category D

Bluff - Maharam	
54" wide	
100% polyurethane	
Ink-resistant protective top coat	
Polyester backing	
8I801/466489-001	Loom
8I802/466489-002	Helm
8I803/466489-003	Cruller
8I804/466489-004	Folklore
8I805/466489-005	Beguile
8I806/466489-006	Sherpa
8I807/466489-007	Teleport
8I808/466489-008	Annex
8I809/466489-009	Lorimer
8I810/466489-010	Cinema
8I811/466489-011	Zip
8I812/466489-012	Coach
8I813/466489-013	Supernova
8I814/466489-014	Pirate
8I815/466489-015	Academy
8I816/466489-016	Disco
8I817/466489-017	Equator
8I818/466489-018	Brink
8I819/466489-019	Scene
8I820/466489-020	Petrichor
8I821/466489-021	Exotic
8I822/466489-022	Fauna
8I823/466489-023	Calabash
8I824/466489-024	Fuscous
8I825/466489-025	Wildling
8I826/466489-026	Blitz
8I827/466489-027	Allspice
8I828/466489-028	Lumos
8I829/466489-029	Pilot
8I830/466489-030	Jukebox
8I831/466489-031	Dugout
8I832/466489-032	Claret
8I833/466489-033	Flamenco

Mode – Maharam	
54" wide	
80% post-consumer recycled polyester	
20% polyester	
PFOA-Free stain resistant finish	

- Maharam textiles are on assigned lead times ^A.
- Fabric numbers are listed as Herman Miller fabric number/Maharam fabric number.

Price category D continued on next page

Maharam Textile Colors — Ancillary Seating

continued

Price Category D

continued

Mode continued	
ZMD01/466337-001	Stroll
ZMD02/466337-002	Intaglio
ZMD03/466337-003	Ominous
ZMD04/466337-004	Machine
ZMD05/466337-005	Talus
ZMD06/466337-006	Marsh
ZMD07/466337-007	Hollow
ZMD08/466337-008	Sycamore
ZMD09/466337-009	Clavicle
ZMD10/466337-010	Billygoat
ZMD11/466337-011	Spindle
ZMD12/466337-012	Lemon
ZMD13/466337-013	Oxeye
ZMD14/466337-014	Henge
ZMD15/466337-015	Goldenrod
ZMD16/466337-016	Cottontail
ZMD17/466337-017	Lioness
ZMD18/466337-018	Oriole
ZMD19/466337-019	Rust
ZMD20/466337-020	Carotene
ZMD21/466337-021	Blush
ZMD22/466337-022	Vermilion
ZMD23/466337-023	Alder
ZMD24/466337-024	Kermes
ZMD25/466337-025	Barberry
ZMD26/466337-026	Petal
ZMD27/466337-027	Valley
ZMD28/466337-028	Odyssey
ZMD29/466337-029	Ballpoint
ZMD30/466337-030	Toile
ZMD31/466337-031	Paradise
ZMD32/466337-032	Angelfish
ZMD33/466337-033	Denim
ZMD34/466337-034	Crush
ZMD35/466337-035	Jetty
ZMD36/466337-036	Saltwater
ZMD37/466337-037	Mallard
ZMD38/466337-038	Celtic
ZMD39/466337-039	Eucalyptus
ZMD40/466337-040	Bonsai
ZMD41/466337-041	Sassafra
ZMD42/466337-042	Yucca
ZMD43/466337-043	Lichen

Price Category E

Article – Maharam	
54" wide	
100% vinyl	
ZAT08/458600-008	Marina
ZAT13/458600-013	Flume
ZAT14/458600-014	Storm
ZAT15/458600-015	Toast
ZAT19/458600-019	Fleece
ZAT22/458600-022	Stone
ZAT26/458600-026	Mercury
ZAT29/458600-029	Bluegrass
ZAT31/458600-031	Truffle
ZAT32/458600-032	Gravel
ZAT33/458600-033	Value
ZAT34/458600-034	Tint
ZAT35/458600-035	Snowflake
ZAT36/458600-036	Chalice
ZAT37/458600-037	Trail
ZAT38/458600-038	Pyramid
ZAT39/458600-039	Desert
ZAT40/458600-040	Lei
ZAT41/458600-041	Rouge
ZAT42/458600-042	Karma
ZAT43/458600-043	Opal
ZAT44/458600-044	Periwinkle
ZAT45/458600-045	Vampire
ZAT46/458600-046	Surf
ZAT47/458600-047	Plumage

Dwell - Maharam	
54" wide	
68% post-industrial recycled polyester	
32% post-consumer recycled polyester	
PFOA-Free stain resistant	
Latex backing	
89602/466419-002	Summit
89603/466419-003	Freeze
89604/466419-004	Poolside
89605/466419-005	Teal
89606/466419-006	Mojito

Dwell continued	
89608/466419-008	Thunder
89609/466419-009	Foil
89611/466419-011	Firecracker

Micro – Maharam	
54" wide	
100% vinyl	
ZMB01/466099-001	Muslin
ZMB04/466099-004	Basalt
ZMB06/466099-006	Phantom
ZMB07/466099-007	Depth
ZMB08/466099-008	Cottage
ZMB09/466099-009	Hunter
ZMB11/466099-011	Tomatillo
ZMB12/466099-012	Brew
ZMB14/466099-014	Tang
ZMB15/466099-015	Risk

Roster - Maharam	
54" wide	
68% post-consumer recycled polyester	
32% polyester	
PFOA-Free stain resistant	
Acrylic backing	
ZR201/466445-001	Jacana
ZR202/466445-002	Wythe
ZR203/466445-003	Grosgrain
ZR204/466445-004	Ceremony
ZR205/466445-005	Breton
ZR206/466445-006	Frigate

Price Category F

Apt – Maharam	
54" wide	
100% polyurethane/silicone	
Ink-resistant protective top coat	
Polyester backing	
82T12/466392-012	Iris
82T13/466392-013	Nocturnal
82T14/466392-014	Fluid
82T15/466392-015	Eden
82T16/466392-016	Galactic
82T17/466392-017	Shoreline
82T18/466392-018	Jade
82T19/466392-019	Garden
82T20/466392-020	Botanic
82T21/466392-021	Chartreuse
82T23/466392-023	Lyric
82T24/466392-024	Turmeric
82T25/466392-025	Bengal
82T26/466392-026	Core
82T27/466392-027	Mantle
82T28/466392-028	Sorbet
82T32/466392-032	Oak
82T33/466392-033	Castle
82T34/466392-034	Follow
82T35/466392-035	Elixir
82T36/466392-036	Charm
82T37/466392-037	Descend
82T38/466392-009	Sketch
82T39/466392-010	Glacier
82T40/466392-031	Fortress
82T41/466392-030	Lotus
82T42/466392-001	Coconut
82T43/466392-011	Cobblestone
82T44/466392-029	Bloom
82T45/466392-022	Crepe
82T46/466392-006	Hickory
82T47/466392-007	Constellation
82T48/466392-008	Labyrinth
82T49/466392-002	Vibe
82T50/466392-003	Stampede
82T51/466392-004	Lumber
82T52/466392-005	Gingerbread

Price category F continued on next page

- Maharam textiles are on assigned lead times [A](#).
- Fabric numbers are listed as Herman Miller fabric number/Maharam fabric number.

Maharam Textile Colors – Ancillary Seating

continued

Price Category F

continued

Brindle - Maharam

58" wide
100% polyester
PFOA-free stain resistant
Acrylic backing
87101/466418-001 Calico
87102/466418-002 Mauve
87103/466418-003 Torch
87104/466418-004 Burnt
87105/466418-005 Barn
87106/466418-006 Pharaoh
87107/466418-007 Sandbur
87108/466418-008 Jungle
87109/466418-009 Inland
87110/466418-009 Seagrass
87111/466418-009 Watercolor
87112/466418-009 Aquarium
87113/466418-009 Drill

Chime - Maharam

54" wide
100% vinyl
V9M3/465350-003 Morel
V9MB/465350-011 Tranquil
V9MJ/465350-020 Slate
V9MV/465350-031 Verve
V9MW/465350-032 Understory

Conduit - Maharam

58" wide
100% polyester
PFOA-free stain resistant
Acrylic backing
87Z01/466428-001 Space
87Z02/466428-002 Syrup
87Z03/466428-003 Nimbus
87Z04/466428-004 Greystone
87Z05/466428-005 Fawn
87Z06/466428-006 Ghost
87Z07/466428-007 Caribbean
87Z08/466428-008 Canal
87Z09/466428-009 Bonfire

Instill – Maharam

54" wide
100% polyurethane
Ink-resistant protective top coat
Polyester backing
74M01/466351-001 Page
74M02/466351-002 Limestone
74M03/466351-003 Bobwhite
74M04/466351-004 Loafer
74M05/466351-005 Moor
74M06/466351-006 Barley
74M07/466351-007 Shaker
74M08/466351-008 Doe
74M09/466351-009 Ride
74M10/466351-010 Squire
74M11/466351-011 Tannin
74M12/466351-012 Vitis
74M13/466351-013 Sonar
74M14/466351-014 Quail
74M15/466351-015 Brittanica
74M16/466351-016 Narwhal
74M17/466351-017 Synth
74M18/466351-018 Stowaway
74M19/466351-019 Koala
74M20/466351-020 Dorsal
74M21/466351-021 Stealth

Keen - Maharam

54" wide
61% polyester
39% polyolefin
PFOA-Free stain resistant
Acrylic backing
89N01/466433-001 Gaur
89N02/466433-002 Lock
89N03/466433-003 Elk
89N04/466433-004 Oatmeal
89N05/466433-005 Lakefront
89N06/466433-006 Argent
89N07/466433-007 Coyote
89N08/466433-008 Eventide
89N09/466433-009 Canal
89N10/466433-010 Rosemary
89N11/466433-011 Herb
89N12/466433-012 Ruby
89N13/466433-013 Loganberry

Ledger – Maharam

54" wide
100% polyurethane
V9G1/463770-001 001
V9G2/463770-002 002
V9G3/463770-003 003
V9G4/463770-004 004
V9GG/463770-017 017
V9GQ/463770-025 025
V9GS/463770-026 026
V9GU/463770-028 028
V9GV/463770-029 029
V9GW/463770-030 030
V9GX/463770-031 031
V9GY/463770-032 032
V9G18/463770-042 042
V9G19/463770-043 043
V9G20/463770-044 044
V9G21/463770-045 045
V9G22/463770-046 046

Loop - Maharam

57" wide
48% post-industrial recycled polyester
26% polyester
26% post-consumer recycled polyester
PFOA-Free stain resistant
Acrylic Backing
ZLL01/466469-001 Opossum
ZLL02/466469-002 Foundation
ZLL03/466469-003 Naval
ZLL04/466469-004 Buoyant
ZLL05/466469-005 Mockingbird
ZLL06/466469-006 Dynasty
ZLL07/466469-007 Zori
ZLL08/466469-008 Wildfire
ZLL09/466469-009 Floral
ZLL10/466469-010 Penguin

Multiply - Maharam

58" wide
57% post-consumer recycled polyester
43% post-industrial recycled polyester
PFOA-Free stain resistant
Acrylic Backing
82A01/466341-001 Winter
82A02/466341-002 Encore
82A03/466341-003 Swing
82A04/466341-004 Contrast
82A05/466341-005 Sterling
82A06/466341-006 Daze
82A07/466341-007 Sway
82A08/466341-008 Sailor
82A09/466341-009 Mystique
82A10/466341-010 Deep
82A11/466341-011 Craft
82A12/466341-012 Town
82A13/466341-013 Limit
82A14/466341-014 Tamale

Price category F continued on next page

- Maharam textiles are on assigned lead times ^A.
- Fabric numbers are listed as Herman Miller fabric number/Maharam fabric number.

Maharam Textile Colors — Ancillary Seating

continued

Price Category F

continued

Pitch - Maharam	
54" wide	
100% vinyl	
ZPC01/466186-001 Alpine	
ZPC02/466186-002 Cottonseed	
ZPC04/466186-004 Pollen	
ZPC05/466186-005 Citron	
ZPC07/466186-007 Apple	
ZPC09/466186-009 Chive	
ZPC10/466186-010 Ridge	
ZPC11/466186-011 Voyage	
ZPC12/466186-012 Turquoise	
ZPC14/466186-014 Inlet	
ZPC15/466186-015 Captain	
ZPC16/466186-016 Aura	
ZPC17/466186-017 Coastal	
ZPC18/466186-018 Fog	
ZPC19/466186-019 Coal	
ZPC21/466186-021 Mulberry	
ZPC22/466186-022 Brick	
ZPC24/466186-024 Flame	
ZPC26/466186-026 Tumbleweed	
ZPC27/466186-027 Tawny	
ZPC28/466186-028 Derby	
ZPC29/466186-029 Subtle	
ZPC30/466186-030 Buff	

Pepper - Maharam	
58" wide	
49% polyester	
41% post-industrial recycled polyester	
10% post-consumer recycled polyester	
PFOA-Free stain resistant	
Acrylic Backing	
8LW01/466486-001 Dojo	
8LW02/466486-002 Marengo	
8LW03/466486-003 Harlequin	
8LW04/466486-004 Pavlova	
8LW05/466486-005 Sedona	
8LW06/466486-006 Achioté	
8LW07/466486-007 Essence	
8LW08/466486-008 Genome	
8LW09/466486-009 Myriad	
8LW10/466486-010 Terrarium	

Runner Standard - Maharam	
58" wide	
57% post-industrial recycled polyester	
43% post-consumer recycled polyester	
ZRA07/466167-007 Bluff	
ZRA09/466167-009 Grove	
ZRA10/466167-010 Starboard	
ZRA12/466167-012 Carousel	

Scuba - Maharam	
54" wide	
100% polyurethane	
V9B1/464930-001 Vanilla	
V9B5/464930-005 Chinchilla	
V9B6/464930-006 Mahogany	
V9B7/464930-007 Jet	
V9B8/464930-008 Charcoal	
V9B9/464930-009 Dolphin	
V9BA/464930-010 Drizzle	
V9BC/464930-012 Conifer	
V9BD/464930-013 Bottle	
V9BF/464930-015 Tourmaline	
V9BG/464930-016 Sapphire	
V9BH/464930-017 Electric	
V9BL/464930-020 Cabernet	
V9BM/464930-021 Brick	
V9BN/464930-022 Coral	
V9BP/464930-023 Autumn	

Sequence - Maharam	
54" wide	
100% solution-dyed polyolefin with silver-based antimicrobial	
Z3101/466179-001 Driftwood	
Z3104/466179-004 Alfresco	
Z3105/466179-005 Plunge	
Z3106/466179-006 Starboard	
Z3107/466179-007 Veranda	
Z3109/466179-009 Flare	

Strum - Maharam	
54" wide	
100% polyurethane with silane-based antimicrobial	
Z3301/466122-001 Overcast	
Z3302/466122-002 Ridge	
Z3304/466122-004 Pigeon	
Z3307/466122-007 Bur	
Z3308/466122-008 Abalone	
Z3311/466122-011 Wheat	
Z3312/466122-012 Lemongrass	

Price Category G

Chassis - Maharam	
54" wide	
50% solution-dyed nylon	
50% solution-dyed post-industrial recycled nylon	
PFOA-Free stain resistant	
Acrylic backing	
8GI01/466458-001 Locomotive	
8GI02/466458-002 Owl	
8GI03/466458-003 Minuet	
8GI04/466458-004 Galax	
8GI05/466458-005 Stratus	
8GI06/466458-006 Cape	
8GI07/466458-007 Cirrus	
8GI08/466458-008 Inlet	
8GI09/466458-009 Petrol	
8GI10/466458-010 Peppermint	
8GI11/466458-011 Hemic	

Circuit - Maharam	
54" wide	
38% rayon	
34% post-industrial recycled polyester	
28% post-consumer recycled polyester	
ZCU07/466089-007 Radar	

Price category G continued on next page

- Maharam textiles are on assigned lead times [A](#).
- Fabric numbers are listed as Herman Miller fabric number/Maharam fabric number.

Maharam Textile Colors – Ancillary Seating

continued

Price Category G

continued

Compound - Maharam	Disperse - Maharam	Gild - Maharam	Pare – Maharam
54" wide	53" wide	54" wide	54" wide
100% polyurethane with silane-based antimicrobial	100% post-consumer recycled polyester	100% non-phthalate vinyl Ink-resistant protective top coat Polyester backing	52% wool 26% polyester 22% nylon PFOA-free stain resistant finish
ZC201/466196-001 Quartz	ZDP02/466017-002 Sky	8AR01/466432-005 Grapevine	ZPR01/466359-001 Polaris
ZC203/466196-003 Weathered	ZDP03/466017-003 Chalk	8AR02/466432-009 Frosting	ZPR02/466359-002 Mountain
ZC204/466196-004 Cliff	ZDP05/466017-005 Lime	8AR03/466432-007 Smokey	ZPR03/466359-003 Mineral
ZC205/466196-005 Espresso	ZDP06/466017-006 Mediterranean	8AR04/466432-003 Skylight	ZPR04/466359-004 Fresco
ZC206/466196-006 Smolder	ZDP07/466017-007 Cornflower	8AR05/466432-011 Sandstone	ZPR06/466359-006 Wink
ZC207/466196-007 Blaze	ZDP09/466017-009 Ember	8AR06/466432-004 Hurricane	ZPR07/466359-007 Concord
ZC208/466196-008 Mandarin	ZDP10/466017-010 Carnelian	8AR07/466432-002 Wreath	ZPR08/466359-008 Strawberry
ZC209/466196-009 Maple	ZDP13/466017-013 Midnight	8AR08/466432-001 Rainforest	ZPR09/466359-009 Solar
ZC210/466196-010 Perennial		8AR09/466432-012 Fudge	ZPR10/466359-010 Amulet
ZC211/466196-011 Mountainside	Fluent Crypton - Maharam	8AR10/466432-010 Lantern	ZPR11/466359-011 Zest
ZC212/466196-012 Tundra	54" wide	8AR11/466432-006 Planet	ZPR12/466359-012 Elmwood
ZC213/466196-013 Manatee	52% polyester	8AR12/466432-008 Reflection	ZPR13/466359-013 Thyme
ZC214/466196-014 Marine	31% post-industrial recycled polyester		ZPR14/466359-014 Frost
ZC215/466196-015 Twilight	17% post-consumer recycled polyester	Mimic - Maharam	ZPR16/466359-016 Denim
ZC216/466196-016 Shelter	ZFC01/466073-001 Lynx	54" wide	ZPR17/466359-017 Blueberry
ZC217/466196-017 Vessel	ZFC09/466073-009 Mulch	100% polyurethane with silane-based antimicrobial	
ZC218/466196-018 Smoke	ZFC12/466073-012 Bayou	ZMM01/466136-001 Cloud *	Runner - Maharam
ZC219/466196-019 Fog	ZFC13/466073-013 Bottle	ZMM02/466136-002 Enamel	54" wide
	ZFC14/466073-014 Cadet	ZMM03/466136-003 Almond	57% post-industrial recycled polyester
Crew - Maharam	ZFC18/466073-018 Patch	ZMM05/466136-005 Clay	43% post-consumer recycled polyester
54" wide	ZFC21/466073-021 Bedrock	ZMM07/466136-007 Totem	ZRF01/466108-001 Bluff
100% polyester	ZFC22/466073-022 Turf	ZMM08/466136-008 Castanet	ZRF03/466108-003 Grove
ZCZ03/466149-003 Dock	ZFC23/466073-023 Cobalt	ZMM10/466136-010 Umbra	ZRF04/466108-004 Starboard
ZCZ04/466149-004 Topiary	ZFC24/466073-024 Steady	ZMM11/466136-011 Ultramarine	ZRF05/466108-005 Plot
ZCZ06/466149-006 Cork		ZMM15/466136-015 Chutney	ZRF06/466108-006 Carousel
ZCZ07/466149-007 Cinnamon			
ZCZ09/466149-009 Soak			
ZCZ10/466149-010 Jam			

* Color not available on Eames Aluminum Group, Executive Chairs, Upholstered Molded Plywood Chairs, and Sofa Compact.

Price category G continued on next page

- Maharam textiles are on assigned lead times [A](#).
- Fabric numbers are listed as Herman Miller fabric number/Maharam fabric number.

Maharam Textile Colors — Ancillary Seating

continued

Price Category G

continued

Sudden – Maharam	
54" wide	
100% polyurethane	
ZSD02/463000-002	002
ZSD03/463000-003	003
ZSD05/463000-005	005
ZSD06/463000-006	006
ZSD07/463000-007	007
ZSD08/463000-008	008
ZSD09/463000-009	009
ZSD10/463000-010	010
ZSD11/463000-011	011
ZSD13/463000-013	013
ZSD15/463000-015	015
ZSD16/463000-016	016
ZSD17/463000-017	017
ZSD18/463000-018	018
ZSD19/463000-019	019
ZSD20/463000-020	020
ZSD24/463000-024	024
ZSD27/463000-027	027
ZSD29/463000-029	029
ZSD36/463000-036	036

Waver - Maharam	
54" wide	
50% solution-dyed nylon	
50% solution-dyed post-industrial recycled nylon	
PFOA-Free stain resistant	
Acrylic backing	
8DW01/466459-001	Mingle
8DW02/466459-002	Numinous
8DW03/466459-003	Gale
8DW04/466459-004	Dual
8DW05/466459-005	Azure
8DW06/466459-006	Wash
8DW07/466459-007	Magpie
8DW08/466459-008	Stellar
8DW09/466459-009	Peony
8DW10/466459-010	Kermes
8DW11/466459-011	Oar

Price Category H

Abacus - Maharam	
54" wide	
54% post-industrial recycled polyester	
46% post-consumer recycled polyester	
ZAC03/466118-003	Cellar
ZAC04/466118-004	Restore
ZAC05/466118-005	Sprig
ZAC07/466118-007	Festive
ZAC09/466118-009	Silhouette

Anagram - Maharam	
54" wide	
42% cotton	
32% polyester	
26% nylon	
ZAN01/466067-001	Quarry
ZAN02/466067-002	Hush
ZAN03/466067-003	Electric
ZAN04/466067-004	Range
ZAN05/466067-005	Settle

Circles — Maharam	
55" wide	
70% cotton	
30% polyester	
ZT01/458310-001	Khaki
ZT02/458310-002	Fatigue
ZT03/458310-003	Document
ZT04/458310-004	Engine

Crosspatch — Maharam	
54" wide	
75% rayon	
25% polyester	
ZS01/458920-001	Song

Dot Pattern — Maharam	
55" wide	
71% cotton	
29% polyester	
ZK01/458300-001	Document
ZK02/458300-002	Taupe
ZK04/458300-004	Red
ZK05/458300-005	Navy

Mechanism – Maharam	
54" wide	
100% polyester	
ZMC01/465952-001	Mercury
ZMC10/465952-010	Pearl
ZMC11/465952-011	Bronze
ZMC13/465952-013	Titanium
ZMC15/465952-015	Tangerine
ZMC17/465952-017	Sprout

Mister – Maharam	
54" wide	
67% solution-dyed acrylic	
33% solution-dyed polyester	
ZMG01/466178-001	Breeze
ZMG04/466178-004	Enliven
ZMG05/466178-005	Notice
ZMG06/466178-006	Azurite

Offset – Maharam	
54" wide	
40% cotton	
36% nylon	
24% wool	
ZQF03/465951-003	Coast
ZQF05/465951-005	Oasis

Regatta – Maharam	
54" wide	
65% solution-dyed acrylic	
35% solution-dyed polyester	
ZRT01/466189-001	Drift
ZRT02/466189-002	Parasol
ZRT04/466189-004	Swell

Small Dot Pattern — Maharam	
55" wide	
71% cotton	
29% polyester	
ZL01/458320-001	Document
ZL02/458320-002	Sand
ZL03/458320-003	Khaki
ZL04/458320-004	Taupe
ZL05/458320-005	Charcoal
ZL06/458320-006	Document Reverse
ZL07/458320-007	Red
ZL08/458320-008	Yellow
ZL09/458320-009	Green

- Maharam textiles are on assigned lead times [A](#).
- Fabric numbers are listed as Herman Miller fabric number/Maharam fabric number.

Maharam Textile Colors – Ancillary Seating

continued

Price Category I

Colorwheel – Maharam
54" wide
62% cotton
38% solution-dyed
post-industrial recycled nylon
ZCW02/466163-002 Pumice
ZCW03/466163-003 Viridian
ZCW06/466163-006 Charcoal
ZCW07/466163-007 Carbon

Cursive – Maharam
54" wide
67% solution-dyed acrylic
33% solution-dyed polyester
PFOA-Free stain resistant
7CW01/466335-001 Fast
7CW03/466335-003 Beachcomb
7CW05/466335-005 Swift
7CW07/466335-007 Inkwell
7CW08/466335-008 Rubber

Garden – Maharam
54" wide
39% solution-dyed
post-industrial recycled nylon
31% rayon
30% cotton
ZGN03/466134-003 Pumice/Cay
ZGN04/466134-004 Fir/Moss
ZGN06/466134-006 Iron/Mineral
ZGN07/466134-007 Raven/ Graphite

Passage - Maharam
54" wide
100% polyester
59P01/466614-001 Mirage
59P02/466614-002 Poolside
59P03/466614-003 Cascade
59P04/466614-004 Lacinato
59P05/466614-005 Overstory
59P06/466614-006 Celadon
59P07/466614-007 Echo

Passage continued
59P08/466614-008 Bentonite
59P09/466614-009 Buttercup
59P10/466614-010 Maple
59P11/466614-011 Blossom
59P12/466614-012 Cloudberry
59P13/466614-013 Contessa
59P14/466614-014 Claret
59P15/466614-015 Katana

Study - Maharam
54" wide
73% solution-dyed acrylic
27% solution-dyed polyester
ZSY01/466269-001 001
ZSY02/466269-002 002
ZSY03/466269-003 003
ZSY04/466269-004 004
ZSY05/466269-005 005

Tracery – Maharam
52" wide
34% solution-dyed nylon
26% wool
21% polyester
19% cotton
acrylic backing
PFOA-free stain resistant finish
ZT501/466372-001 Birch
ZT502/466372-002 Sterling
ZT503/466372-003 Flint
ZT504/466372-004 Indigo
ZT505/466372-005 Arctic
ZT506/466372-006 Kelp
ZT507/466372-007 Melon
ZT508/466372-008 Poppy
ZT509/466372-009 Copper
ZT510/466372-010 Papaya
ZT511/466372-011 Sepia

Vases – Maharam
54" wide
62% cotton
38% solution dyed
post-industrial recycled nylon
ZVS01/466164-001 Berry
ZVS02/466164-002 Citrus
ZVS03/466164-003 Sprout
ZVS04/466164-004 Goldenrod

Vineyard – Maharam
54" wide
39% solution-dyed
post-industrial recycled nylon
31% rayon
30% cotton
ZVY01/466133-001 Taro
ZVY02/466133-002 Arbor
ZVY03/466133-003 Cay
ZVY08/466133-008 Pitch

Voyage – Maharam
54" wide
100% wool
ZVG26/456801-026 Harvest
ZVG27/456801-027 Currant
ZVG28/456801-028 Twilight
ZVG34/456801-034 Thicket
ZVG36/456801-036 Chinchilla
ZVG37/456801-037 Parcel

Price Category J

Coach Cloth – Maharam
54" wide
100% wool
ZCL08/458950-008 Dusk
ZCL09/458950-009 Mars
ZCL15/458950-015 Savile
ZCL19/458950-019 Graphite
ZCL20/458950-020 Bittersweet

Design 9297 – Maharam
55" wide
51% cotton
45% rayon
4% polyester
ZDD03/465230-003 Lake
ZDD04/465230-004 Ocher
ZDD05/465230-005 Scarlet
ZDD06/465230-006 Magenta
ZDD07/465230-007 Peacock
ZDD08/465230-008 Umbra

Fluted Silk – Maharam
54" wide
85% silk
8% cotton
7% acrylic
ZFK02/465982-002 Tarnish
ZFK04/465982-004 Virtue
ZFK05/465982-005 Calm
ZFK06/465982-006 Flaxen
ZFK08/465982-008 Merry
ZFK10/465982-010 Noticed
ZFK11/465982-011 Moody
ZFK12/465982-012 Constant
ZFK13/465982-013 Seed
ZFK14/465982-014 Eternal
ZFK15/465982-015 Honor
ZFK16/465982-016 Winkle
ZFK17/465982-017 Cranach
ZFK19/465982-019 Faint
ZFK20/465982-020 Discreet

Price category J continued on next page

- Maharam textiles are on assigned lead times [A](#).
- Fabric numbers are listed as Herman Miller fabric number/Maharam fabric number.

Maharam Textile Colors — Ancillary Seating

continued

Price Category J

continued

Mikado – Maharam	
54" wide	
79% cotton	
21% polyester	
V1901/459330-001	Umber
V1902/459330-002	Orange
V1903/459330-003	Ultramarine
V1904/459330-004	Pink
V1905/459330-005	Sepia

Tangram – Maharam	
54" wide	
68% polyester	
32% cotton	
ZTG01/466084-001	Tusk
ZTG03/466084-003	Lead
ZTG04/466084-004	Resin

Transport – Maharam	
56" wide	
48% rayon	
32% polyester	
20% linen	
ZTB01/466176-001	Breaker
ZTB02/466176-002	Grain
ZTB05/466176-005	Avenue

Trestle - Maharam	
54" wide	
36% acrylic	
32% wool	
23% cotton	
9% polyester	
3WG01/466613-001	Loam
3WG02/466613-002	Rift
3WG03/466613-003	Fuse
3WG04/466613-004	Cumulus
3WG05/466613-005	Strand
3WG06/466613-006	Pomelo
3WG07/466613-007	Tawny
3WG08/466613-008	Sunstone
3WG09/466613-009	Kindling
3WG10/466613-010	Sidcar
3WG11/466613-011	Beak

Price Category K

Trestle continued	
3WG12/466613-012	Ficus
3WG13/466613-013	Hinge
3WG14/466613-014	Bluefish
3WG15/466613-015	Oblivion

Checker – Maharam	
55" wide	
77% cotton	
23% polyester	
V1201/459830-001	Emerald Light/ Ivory
V1204/459830-004	Ultramarine/ Emerald
V1206/459830-007	Sienna Dark/ Khaki
V1207/459830-008	Black/White
V1209/459830-009	Ultramarine/ Turquoise
V1210/459830-010	Blue Gray/ Emerald
V1211/459830-011	Olive/Pink
V1212/459830-012	Magenta/ Orange
V1213/459830-013	Crimson/ Orange

Checker Split – Maharam	
55" wide	
77% cotton	
23% polyester	
V1301/460290-01	Black/White

Dingbats – Maharam	
54" wide	
74% cotton	
26% nylon	
ZDB03/465994-003	Indigo
ZDB04/465994-004	Earth

Double Triangles – Maharam	
55" wide	
77% cotton	
23% polyester	
V1401/459840-001	Black/White

Facets – Maharam	
55" wide	
77% cotton	
23% polyester	
V1501/459850-001	Black/White

Isa – Maharam	
59" wide	
85% wool	
15% nylon	
VKZ01/466624-001	Bashful
VKZ02/466624-002	Median
VKZ03/466624-003	Observe
VKZ04/466624-004	Plains
VKZ05/466624-005	Drawn
VKZ06/466624-006	Connect
VKZ07/466624-007	Fennel
VKZ08/466624-008	Skyward
VKZ09/466624-009	Oceanic
VKZ10/466624-010	Neptune
VKZ11/466624-011	Sprint
VKZ12/466624-012	Ledge
VKZ13/466624-013	Surround
VKZ14/466624-014	Foretell
VKZ15/466624-015	Lory
VKZ16/466624-016	Dear
VKZ17/466624-017	Foxtrot
VKZ18/466624-018	Sincere
VKZ19/466624-019	Begonia

Optik – Maharam	
55" wide	
76% cotton	
24% polyester	
ZQP01/459960-001	Sun Yellow/ Orange
ZQP06/459960-006	White/Black

Orakelblume – Maharam	
55" wide	
59% cotton	
41% rayon	
ZQR02/463900-002	Bark
ZQR03/463900-003	Mineral
ZQR04/463900-004	Document
ZQR06/463900-006	Loden
ZQR07/463900-007	Danube

Painted Stripe – Maharam	
55" wide	
75% cotton	
25% polyester	
ZPS01/465998-001	Rosin
ZPS02/465998-002	Tempera
ZPS04/465998-004	Variance

Unisol – Maharam	
55" wide	
61% rayon	
21% polyester	
18% cotton	
ZUN01/461160-001	Black/ White

- Maharam textiles are on assigned lead times [A](#).
- Fabric numbers are listed as Herman Miller fabric number/Maharam fabric number.

Maharam Textile Colors – Ancillary Seating

continued

Price Category L

Blumen – Maharam	
55" wide	
53% cotton	
47% rayon	
ZBN02/462870-002	Mustard
ZBN03/462870-003	Robin
ZBN05/462870-005	Espresso

Exaggerated Plaid – Maharam	
59" wide	
100% wool	
ZEP01/466039-001	Glen
ZEP02/466039-002	Brae
ZEP03/466039-003	Firth

Geometri – Maharam	
55" wide	
77% cotton	
23% polyester	
ZGM01/459970-001	Sun Yellow/ Orange
ZGM02/459970-002	Red/ Carmine
ZGM03/459970-003	Lilac/Blue
ZGM04/459970-004	White/ Black

Jacobs Coat – Maharam	
54" wide	
92% wool	
8% nylon	
V1601/462270-001	Multicolored Bright *
V1602/462270-002	Multicolored Neutral

* Color available on Girard Color Wheel Ottoman.

Millerstripe – Maharam	
54" wide	
92% wool	
8% rayon	
V1701/462250-001	Multicolored Bright
V1702/462250-002	Multicolored Neutral

Monk's Wool – Maharam	
54" wide	
96% wool	
4% nylon	
ZMW01/457301-001	Tusk
ZMW03/457301-003	Slate
ZMW05/457301-005	Cherokee

Palio – Maharam	
55" wide	
61% cotton	
39% solution dyed post-industrial recycled nylon	
V1101/466107-001	Earth
V1102/466107-002	Sky
V1103/466107-003	Sun
V1104/466107-004	Multi

Pebble Wool – Maharam	
54" wide	
90% wool	
10% nylon	
ZPW01/457401-001	Birch
ZPW10/457401-010	Cottage
ZPW13/457401-013	Eggshell
ZPW14/457401-014	Whisper
ZPW15/457401-015	Ceramic
ZPW16/457401-016	Seamist
ZPW17/457401-017	Armory
ZPW18/457401-018	Glaze
ZPW19/457401-019	Cordial

Pebble Wool Multi – Maharam	
54" wide	
97% wool	
3% nylon	
ZPM01/461200-001	Fawn
ZPM02/461200-002	Slate
ZPM05/461200-005	Moss
ZPM06/461200-006	Tabasco

Quatrefoil – Maharam	
54" wide	
75% cotton	
25% nylon	
V2101/459350-001	Silver
V2102/459350-002	Pink
V2103/459350-003	Crimson
V2104/459350-004	Emerald
V2105/459350-005	Violet

Repeat Classic Stripe – Maharam	
55" wide	
47% cotton	
27% rayon	
26% polyester	
ZRS01/462170-001	Inca
ZRS02/462170-002	Pistachio
ZRS03/462170-003	Poppy
ZRS04/462170-004	Cadet
ZRS05/462170-005	Peacock

Repeat Dot Ring – Maharam	
55" wide	
75% cotton	
25% polyester	
ZRR01/462150-001	Gold
ZRR04/462150-004	Pink
ZRR05/462150-005	Coral
ZRR07/462150-007	Gold Reverse
ZRR10/462150-010	Pink Reverse
ZRR11/462150-011	Coral Reverse

Stripes - Maharam	
56" wide	
92% wool	
8% nylon	
ZSP01/463980-001	001
ZSP02/463980-002	002
ZSP03/463980-003	003
ZSP04/463980-004	004
ZSP05/463980-005	005
ZSP06/463980-006	006
ZSP07/463980-007	007
ZSP08/463980-008	008
ZSP09/463980-009	009
ZSP10/463980-010	010

The Story of My Life – Maharam	
54" wide	
83% rayon	
17% polyester	
ZTS02/464670-002	Hay
ZTS03/464670-003	Abyss
ZTS04/464670-004	Venetian

Toostripe – Maharam	
54" wide	
92% wool	
8% nylon	
V2201/462260-001	Orange Dark/ Crimson Dark
V2202/462260-002	Black/ Raw Umber
V2203/462260-003	Ochre Dark/ Sienna

Appendix: Maharam Textile Colors – Ancillary Seating

- Maharam textiles are on assigned lead times [A](#).
- Fabric numbers are listed as Herman Miller fabric number/Maharam fabric number.

Maharam Textile Colors — Ancillary Seating

continued

Price Category M

Names – Maharam	
55" wide	
73% cotton	
27% polyester	
V1801/462510-001	Crimson On White
V1802/462510-002	Ultramarine On White
V1803/462510-003	Black On White
Ottoman Stripe – Maharam	
58" wide	
92% wool	
8% nylon	
ZQN01/466142-001	Brass
ZQN02/466142-002	Cocoa
ZQN03/466142-003	Dusk
ZQN04/466142-004	Pistachio
ZQN05/466142-005	Apricot
Pressed Plaid – Maharam	
54" wide	
100% wool	
T1101/466181-001	001
T1102/466181-002	002
T1103/466181-003	003
T1104/466181-004	004
T1105/466181-005	005
T1106/466181-006	006
Wool Striae – Maharam	
54" wide	
100% wool	
T1201/466184-001	001
T1202/466184-002	002
T1203/466184-003	003
T1204/466184-004	004
T1205/466184-005	005
T1206/466184-006	006
T1207/466184-007	007

Price Category N

Alpaca Epingle - Maharam	
55" wide	
100% alpaca	
ZAE01/465902-001	Vellum
ZAE02/465902-002	Slate
ZAE06/465902-006	Graphite
ZAE07/465902-007	Beignet
Alpaca Velvet - Maharam	
54" wide	
100% alpaca	
ZAV01/465901-001	Alpine
ZAV06/465901-006	Charcoal
ZAV07/465901-007	Pewter
ZAV08/465901-008	Squash
ZAV09/465901-009	Wallaby
ZAV10/465901-010	Brunia
Bespoke Stripe - Maharam	
56" wide	
100% wool	
ZBP01/463540-001	Navy
ZBP02/463540-002	Tobacco
ZBP03/463540-003	Chocolate
ZBP04/463540-004	Charcoal
ZBP05/463540-005	Black
ZBP06/463540-006	Pewter
Herringbone Stripe - Maharam	
57" wide	
100% wool	
ZKP01/465945-001	Granite
ZKP02/465945-002	Espresso
ZKP03/465945-003	Graphite
ZKP04/465945-004	Indigo
ZKP05/465945-005	Raven

Price Category O

Point – Maharam	
53" wide	
97% rayon	
3% nylon	
ZPT01/466090-001	Ivory and Ember
ZPT02/466090-002	Black and Coral
ZPT03/466090-003	Slate and Khaki
ZPT04/466090-004	Black and Cobalt
ZPT05/466090-005	Black and Khaki
ZPT06/466090-006	Slate and Mandarin
ZPT07/466090-007	Slate and Black
ZPT08/466090-008	Brick and Greige
ZPT09/466090-009	Gold and Black
ZPT10/466090-010	Greige and Peat
ZPT11/466090-011	Peat and Mandarin
ZPT12/466090-012	Crimson
ZPT13/466090-013	Mandarin
ZPT14/466090-014	Citrus
ZPT15/466090-015	Grass
ZPT16/466090-016	Cyan
ZPT17/466090-017	Cobalt
Wool Velvet - Maharam	
54" wide	
100% wool	
ZWV01/466120-001	Plush
ZWV02/466120-002	Subdue
ZWV03/466120-003	Flagstone
ZWV04/466120-004	Nori
ZWV06/466120-006	Bridle
ZWV07/466120-007	Covert
ZWV08/466120-008	Gateway

Price Category O

Bavaria Stripe – Maharam	
55" wide	
77% polyester	
23% cotton	
ZBS02/466161-002	Unique

- Maharam textiles are on assigned lead times [A](#).
- Fabric numbers are listed as Herman Miller fabric number/Maharam fabric number.

Maharam Textile Colors – Ancillary Seating

continued

Price Category P

Big Stripe – Maharam	
55" wide	
92% wool	
8% nylon	
ZBR01/466174-001	Peacock
ZBR02/466174-002	Spring
ZBR03/466174-003	Umber
ZBR04/466174-004	Poppy
ZBR05/466174-005	Cobalt

Brushed Merino – Maharam	
54" wide	
90% merino wool	
10% cashmere	
ZBJ01/465983-001	Non
ZBJ02/465983-002	Feather
ZBJ03/465983-003	Doe
ZBJ04/465983-004	Wither
ZBJ05/465983-005	Nook
ZBJ06/465983-006	Senf
ZBJ07/465983-007	Cheshire
ZBJ08/465983-008	Cadmium
ZBJ09/465983-009	Hewn
ZBJ11/465983-011	Ardenne
ZBJ12/465983-012	Dandy

Epinglé Stripe - Maharam	
50" wide	
100% cotton	
ZES01/466007-001	Caramel
ZES02/466007-002	Lead
ZES03/466007-003	Violet
ZES04/466007-004	Mahogany
ZES05/466007-005	Olive

Layers Garden – Maharam	
52" wide	
96% wool	
3% nylon	
1% polyester	
ZLY01/465916-001	Ivy/Bronze
ZLY02/465916-002	Putty/ Turquoise
ZLY03/465916-003	Pewter/ White
ZLY04/465916-004	Chocolate/ Lilac
ZLY05/465916-005	Peat/Copper

Layers Park – Maharam	
52" wide	
95% wool	
3% nylon	
2% polyester	
ZLP01/465918-001	Ash/Snow
ZLP02/465918-002	Mineral/Sky
ZLP03/465918-003	Poppy/ Melon
ZLP04/465918-004	Indigo/ White
ZLP05/465918-005	Earth/Cobalt

Layers Vineyard Large – Maharam	
52" wide	
95% wool	
3% nylon	
2% polyester	
ZLV01/465921-001	Ivory/Onyx
ZLV02/465921-002	Slate/Azure
ZLV03/465921-003	Loden/Sky
ZLV04/465921-004	Taupe/ Crimson
ZLV05/465921-005	Black/ Mahogany

Layers Vineyard Small – Maharam	
52" wide	
92% wool	
5% polyester	
3% nylon	
ZLS01/465920-001	Ochre/White
ZLS02/465920-002	Scarlet/ Peony
ZLS03/465920-003	Taupe/Violet
ZLS04/465920-004	Jade/ Turquoise
ZLS05/465920-005	Ginger/Rose

Mohair Supreme - Maharam	
54" wide	
100% mohair	
ZMS02/451801-072	Stonehenge
ZMS06/451801-112	Slate *
ZMS07/451801-113	Rich Chocolate *
ZMS09/451801-126	Cayenne
ZMS10/451801-127	Cognac
ZMS12/451801-129	Peat *
ZMS15/451801-133	Abyss
ZMS16/451801-134	Intrigue
ZMS18/451801-136	Lupine *
ZMS28/451801-146	League
ZMS29/451801-147	Armory *
ZMS32/451801-150	Capiz
ZMS33/451801-151	Underneath
ZMS34/451801-152	Crescent
ZMS35/451801-153	National
ZMS36/451801-154	Rooftop
ZMS37/451801-155	Skewer
ZMS38/451801-156	Party
ZMS39/451801-157	Keepsake
ZMS40/451801-158	Travel
ZMS41/451801-159	Estate
ZMS42/451801-160	Grassland
ZMS43/451801-161	Limoncello
ZMS44/451801-162	Mango
ZMS45/451801-163	Doll
ZMS46/451801-164	Carousel
ZMS47/451801-165	Palette
ZMS48/451801-166	Brandy
ZMS49/451801-167	Aristocrat
ZMS50/451801-168	Soulmate
ZMS51/451801-169	Rosette

* Colors available on Eames Lounge Chair and Ottoman.

- Maharam textiles are on assigned lead times [A](#).
- Fabric numbers are listed as Herman Miller fabric number/Maharam fabric number.

Maharam Textile Colors — Ancillary Seating

continued

Price Category Q

A Band Apart – Maharam
56" wide
75% polyester
25% cotton
ZAB01/466000-001 Unique
Aftermath – Maharam
55" wide
75% polyester
25% cotton
ZAM01/466169-001 Unique
Brushed Camel – Maharam
58" wide
100% baby camel hair
ZBA01/465977-001 Albino
ZBA02/465977-002 Natural
Deconstructed Rose – Maharam
55" wide
65% polyester
32% cotton
3% rayon
ZDS01/466086-001 Golden
ZDS02/466086-002 Vivid
ZDS03/466086-003 Earthen
Massive Paisley – Maharam
57" wide
76% polyester
24% cotton
ZMV01/465915-001 Ash
ZMV03/465915-003 Cardinal
ZMV06/465915-006 Night
The Firm – Maharam
56" wide
75% polyester
25% cotton
ZTF03/465999-003 Unique

Price Category R

Borders – Maharam
53" wide
98% wool
2% polyester
ZBB01/466082-001 Natural
ZBB02/466082-002 Greige
ZBB03/466082-003 Charcoal
ZBB04/466082-004 Walnut
Compartment – Maharam
50" wide
100% cotton
ZCA01/466154-001 001
ZCA02/466154-002 002
ZCA03/466154-003 003
Stow Leather - Maharam
approx. 50 sq. ft. per hide
100% leather
protective top coat
ZSV01/700014-001 Opera
ZSV02/700014-002 Japonica
ZSV03/700014-003 Masquerade
ZSV04/700014-004 Laguna
ZSV05/700014-005 Jettison
ZSV06/700014-006 Razor
ZSV07/700014-007 Holiday
ZSV08/700014-008 Patchouli
ZSV09/700014-009 Macrame
ZSV10/700014-010 Grace
ZSV11/700014-011 Seraphim
ZSV12/700014-012 Ricotta
ZSV13/700014-013 Neroli
ZSV14/700014-014 Sultana
ZSV15/700014-015 Sundance
ZSV16/700014-016 Quince
ZSV17/700014-017 Babka
ZSV18/700014-018 Maitake
ZSV19/700014-019 Mercer
ZSV20/700014-020 Gaucho

Stow Leather *continued*

ZSV21/700014-021 Chia
ZSV22/700014-022 Vanguard
ZSV23/700014-023 Zone
ZSV24/700014-024 Zeppelin
ZSV25/700014-025 Clandestine
ZSV26/700014-026 Raven
ZSV27/700014-027 Cabana
ZSV28/700014-028 Rime
ZSV29/700014-029 Forsythia
ZSV30/700014-030 Panthera
ZSV31/700014-031 Dune
ZSV32/700014-032 Madera
ZSV33/700014-033 Russet
ZSV34/700014-034 Gala
ZSV35/700014-035 Heron

Price Category S

Bavaria – Maharam
55" wide
73% polyester
27% cotton
ZBV01/466162-001 Unique

- Maharam textiles are on assigned lead times [A](#).
- Fabric numbers are listed as Herman Miller fabric number/Maharam fabric number.

Maharam Textile Colors — Ancillary Seating

continued

Price Category T	Price Category U	Price Category V-W	Price Category X
<p>Hours – Maharam 56" wide 95% wool 3% nylon 2% rayon ZKR01/466092-001 Day ZKR02/466092-002 Night</p>	<p>Layers Garden Double – Maharam 52" wide 96% wool 3% nylon 1% polyester ZLD01/465917-001 Ash/ Quartz/ Grass ZLD02/465917-002 Earth/ Chocolate/ Coral ZLD03/465917-003 Black/ Navy/ Cobalt</p> <p>Layers Park Double – Maharam 52" wide 96% wool 3% nylon 1% polyester ZLB01/465919-001 Mineral/ Taupe/ Lemon ZLB02/465919-002 Sienna/ Ginger/ Rose ZLB03/465919-003 Black/ Peat/ Copper</p>	<p>No fabrics available at this time.</p>	<p>Eden – Maharam 56" wide 83% polyester 17% cotton ZED01/466258-001 001 ZED02/466258-002 002 ZED03/466258-003 003 ZED04/466258-004 004 ZED05/466258-005 005</p> <p>Foliage – Maharam 56" wide 75% polyester 25% cotton ZFG02/466257-002 002 ZFG04/466257-004 004 ZFG05/466257-005 005</p>

Appendix: Maharam Textile Colors — Ancillary Seating

- Maharam textiles are on assigned lead times [A](#).
- Fabric numbers are listed as Herman Miller fabric number/Maharam fabric number.

Maharam Textile Colors — Ancillary Seating

continued

Appendix: Maharam Textile Colors — Ancillary Seating

Price Category Y

Industry – Maharam
55" wide
80% polyester
20% cotton
ZND01/466255-001 001

Price Category Z

Agency – Maharam
55" wide
75% polyester
25% cotton
ZAG02/466001-002 002
ZAG04/466001-004 004
ZAG05/466001-005 005
ZAG06/466001-006 006
ZAG07/466001-007 007
ZAG08/466001-008 008

Leather Price Category 10M

Pace Leather – Maharam
approx. 50 sq. ft. per hide
100% leather
ZPA01/700011-001 Whisper
ZPA02/700011-002 Shy
ZPA03/700011-003 Granite
ZPA04/700011-004 Misty
ZPA05/700011-005 Studio
ZPA06/700011-006 Throne
ZPA07/700011-007 Proper
ZPA08/700011-008 Huron
ZPA09/700011-009 Darkroom
ZPA10/700011-010 Bark
ZPA11/700011-011 Raspberry
ZPA12/700011-012 Sangria
ZPA13/700011-013 Admiral
ZPA14/700011-014 Juniper
ZPA15/700011-015 Regal
ZPA16/700011-016 Vapor
ZPA17/700011-017 Valley
ZPA18/700011-018 Bushel
ZPA19/700011-019 Heirloom
ZPA20/700011-020 Palomino
ZPA21/700011-021 Bamboo
ZPA22/700011-022 Saffron
ZPA23/700011-023 Tearose
ZPA24/700011-024 Canyon
ZPA25/700011-025 Bistro
ZPA26/700011-026 Toffee
ZPA27/700011-027 Rodeo
ZPA28/700011-028 Mudslide
ZPA29/700011-029 Greige
ZPA30/700011-030 Reflection
ZPA31/700011-031 Pure
ZPA32/700011-032 Desert
ZPA33/700011-033 Griffin
ZPA34/700011-034 Urbane
ZPA35/700011-035 Woodrose

- Maharam textiles are on assigned lead times [A](#).
- Fabric numbers are listed as Herman Miller fabric number/Maharam fabric number.

For more information about our products and services or to see a list of dealers, please visit us at HermanMiller.com or call (800) 851 1196.

© 2023 Herman Miller, Inc., Zeeland, Michigan

Distribution Rights

Working together since 1956, Herman Miller and Vitra are the authentic sources of designs by Charles and Ray Eames, Alexander Girard, and George Nelson. All the designs shown in this book are protected by law. Herman Miller has obtained all rights to make and sell these designs. Also, Herman Miller holds exclusive worldwide manufacturing and distribution rights for these products with the following exceptions:

Charles and Ray Eames, George Nelson, and Alexander Girard—Worldwide distribution rights for furniture in all areas except Europe and the Middle East. For those areas, please contact Vitra.

Isamu Noguchi—Worldwide distribution rights for the Noguchi Rudder Table. Distribution rights for the Noguchi Table in North America and Central America only. For all other areas, please contact Vitra.

Magis—Exclusive distribution rights in the US and Canada. For all other areas, please contact Magis.

© **HermanMiller**, 3D Intelligent, AO, Action Office, Aeron, ArcSpan, Aside, Avall, Bubble Lamps, Canvas Office Landscape, Caper, Celle, Cosm, Co/Struc, Daisyone, Distil, Eames, Eco-Dematerialized, Embody, Envelop, Ethospace, Exclave, Fine-Tune, FlexFront, Flo, Formcoat, Formwork, Ground Cloth, Kinemat, Layout Studio, Lifework, Lino, Live Unframed, Living Office, Maharam, Meridian, Mirra, Motia, Nelson, Pellicle, Perspectives, Plex, PostureFit, PostureFit SL, Prospects, Public Office Landscape, Rodney, Sayl, Setu, Tu, Ubi, Verus, Wishbone, and Y-Tower are among the registered trademarks of Herman Miller, Inc., and its owned subsidiaries.

™ 8Z Pellicle, About Face, AireWeave, Albert, Ambit, Asari Chair by HermanMiller, Backfit, Bublelactack, Burdick Group, Butterfly Back, Cellular Suspension, Clam, Commend, Compass, Connect, DOT, Duracare, Durawrap, EnhancedAccess, Everywhere, Flex-Edge, Flute, Harmonic, Headway, Herman Miller Select, Hopsak 2, Intent, Iota, Jaw, Keyless Entry, Latitude, Logic Mini, Logic Power Access Solutions, Live Platform, Loop, Lyrus, Lyrus 2, Made-to-Measure Storage, Mora, Multiscrim, Nevi, OE1 Workspace Collection, Overlay, Pari, Pixelated Support, Pronta Stacking Chairs by Herman Miller, Prospect, Renew, Sense, Soft Pad, Stackable, Stackable Storage, Striad, Swoop, Thrive, Tone, TriFlex, Twist, Vista, Wireframe, and Zeph are among the trademarks of Herman Miller, Inc., and its owned subsidiaries.

SM Herman Miller Options is among the service marks of Herman Miller, Inc.

AAP™ is a trademark of Extron Electronics.

Alexander Girard® is a registered trademark of The Alexander Girard Estate.

Chemsurf® is a registered trademark of Wilsonart International.

Corian® is a registered trademark of E. I. du Pont de Nemours and Company Corporation.

Crypton® is a registered trademark of Crypton, Inc.

DACRON® is a registered trademark of INVISTA S.a r.l.

Danzer® is a registered trademark of Danzer Holding AG.

Decora® is a registered trademark of Leviton Manufacturing Co., Inc.

Edelman® Leather is a registered trademark of Edelman Leather, Inc.

Extron® is a registered trademark of RGB Systems, Inc.

FENIX NTM® is a registered trademark of Arpa Industriale S.p.A.

FLEXNET™ is a trademark of Milliken & Company.

Floor Saver Glide® is a registered trademark of Carpin Manufacturing, Inc.

Forest Stewardship Council® is a registered trademark of the Forest Stewardship Council A.C. (FSC). We are FSC® certified (FSC® C102895).

FSC® is a registered trademark of the Forest Stewardship Council A.C. (FSC).

Geiger® is a registered trademark, and Bumper™, Saiba™, and Ward Bennett™ are trademarks, of Geiger International.

Hang-It-All® is a registered trademark of Lucia Eames Demetrios, d.b.a. Eames Office.

Holophane® is a registered trademark of Holophane.

Ingeo™ is a trademark of Cargill Dow LLC.

iPad® and Mac mini® are registered trademarks of Apple Inc.

Leviton® is a registered trademark of Leviton Manufacturing Co., Inc.

LifeSize® is a registered trademark of LifeSize Communications, Inc.

Logitech G® is a registered trademark of Logitech International S.A.

Magis®, Bombo®, and Me Too® are registered trademarks of Magis S.p.A.

MicrobeCare™ is a trademark of Parasol Medical LLC.

Microsoft® and Natural® Keyboard are registered trademarks of Microsoft Corporation.

Noguchi® and the Noguchi table configuration (trade dress) are registered trademarks, and Rudder Table™ is a trademark, of The Isamu Noguchi Foundation and Garden Museum.

Place Textiles® is a registered trademark of Place Textiles.

Sunbrella® is a registered trademark of Glen Raven, Inc.

SuperSeat™ is a trademark of Dahti Seating, a division of ITW.

Valor™ is among the trademarks owned by Nemschoff, Inc.