



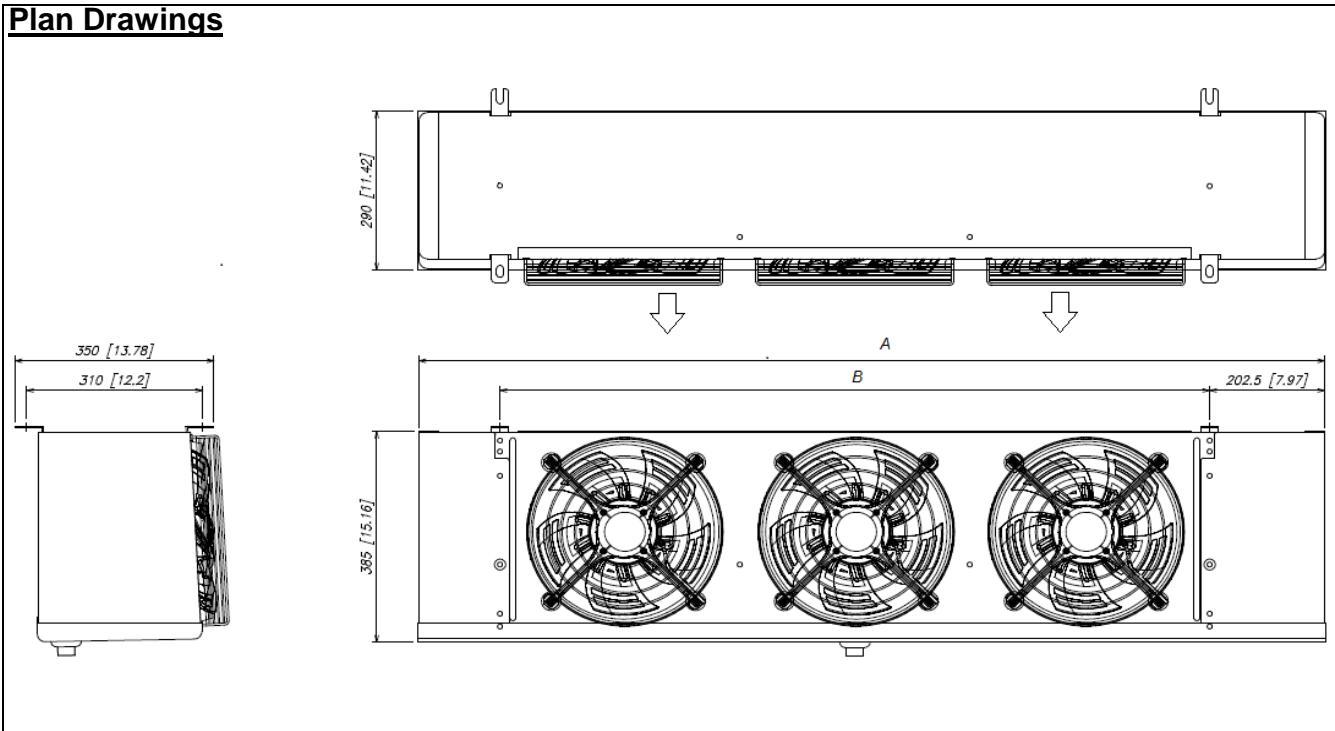
Infinity Refrigeration Inc
 9419 Ann Street
 Santa Fe Springs, CA 90670
 Ph: 888-328-9050
 Fax: 562-287-8903

Submittal Data/Drawings Sheet
 Low Profile Unit Cooler "ILA" Med Temp Model
 Remote Type Refrigeration System

For Review Date: 12/21/2017
 For Approval By:

Job Name: _____ Job Location: _____
 Engineer/ Architect : _____ Customer: _____ Order # _____
 Model No. : _____ Item No. : _____ Unit Qty: _____ Ref. # _____
 Notes:

Plan Drawings



Performance Data "ILA" Air Defrost, Medium Temperature (60Hz)

Unit Model Number	Capacity BTuH / Watts 10° F TD 25° F SST	Fan Data		EC Motor Data 115V / 60Hz / 1Φ		Airthrow Ft
		12in / 30cm Diameter Qty	CFM/ m³H	HP	Amps / Watts	
ILA200A	20,000 / 5,857	3	2,433 / 4,134	1/15	1.71 / 197	25

Physical Data

Unit Model Number	Refrigeration Connections (Inches)			Drain	Dimensions (inches/cm)				Weight (lbs/kgs)
	Coil Inlet/ Liquid	Suction	External Equalizer		A	B	C	D	
ILA200A	1/2 OD	7/8 ID	1/4 OD	3/4MPT	63 / 1,600	49.2 / 1,250			

