

3 kW Solar PV Array
 (12) of 250W modules (type 60 cell)
 4 parallel strings of 3 modules in series
EACH MODULE
 Vmp = 30V, Imp=8.2A
 Vmax=40V, Imax=8.6A
For the ARRAY
 Vmp = 90V, Imp=32.8A
 Vmax=120V, Imax=43A

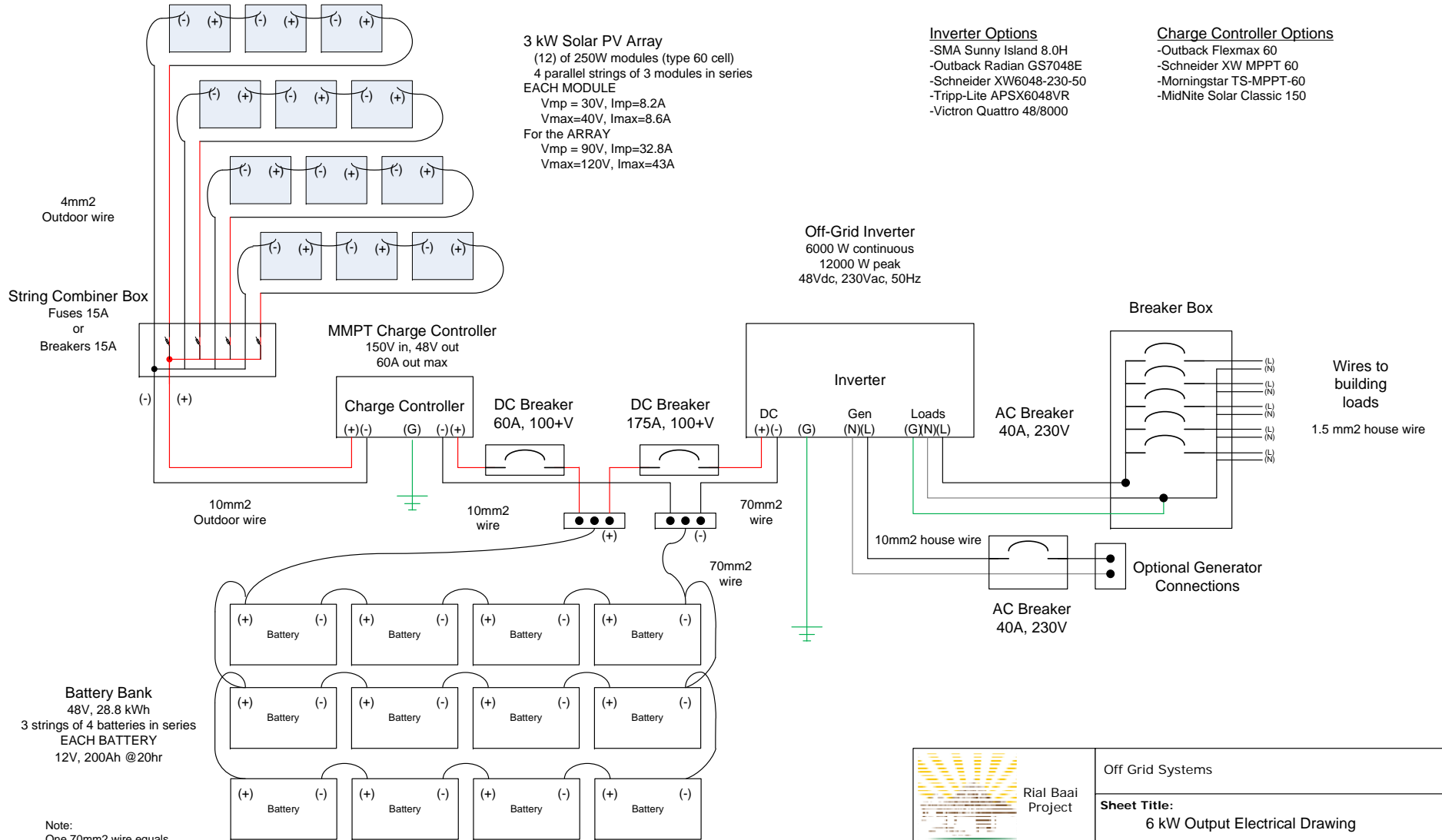
Inverter Options

- SMA Sunny Island 8.0H
- Outback Radian GS7048E
- Schneider XW6048-230-50
- Tripp-Lite APSX6048VR
- Victron Quattro 48/8000

Charge Controller Options

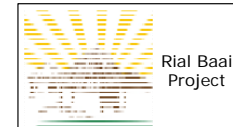
- Outback Flexmax 60
- Schneider XW MPPT 60
- Morningstar TS-MPPT-60
- MidNite Solar Classic 150

Off-Grid Inverter
 6000 W continuous
 12000 W peak
 48Vdc, 230Vac, 50Hz



Battery Bank
 48V, 28.8 kWh
 3 strings of 4 batteries in series
EACH BATTERY
 12V, 200Ah @20hr

Note:
 One 70mm2 wire equals
 two parallel 35mm2 wire



Rial Baai
 Project

Off Grid Systems

Sheet Title:
 6 kW Output Electrical Drawing

Project No:	SIZE	FSCM NO	DWG NO	REV
Revisions: CCB 31-Oct-14	SCALE	NTS	SHEET	5 OF 6