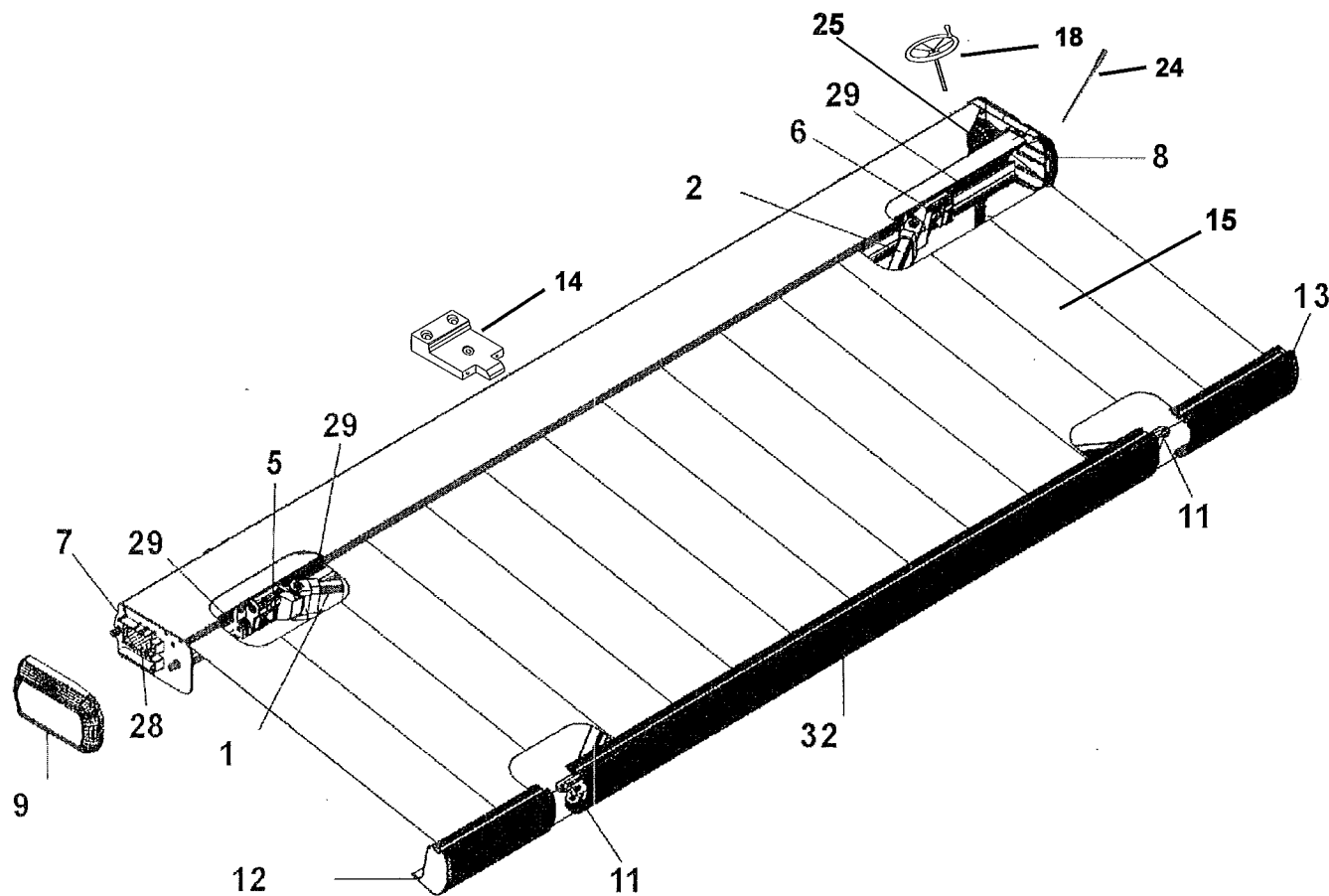




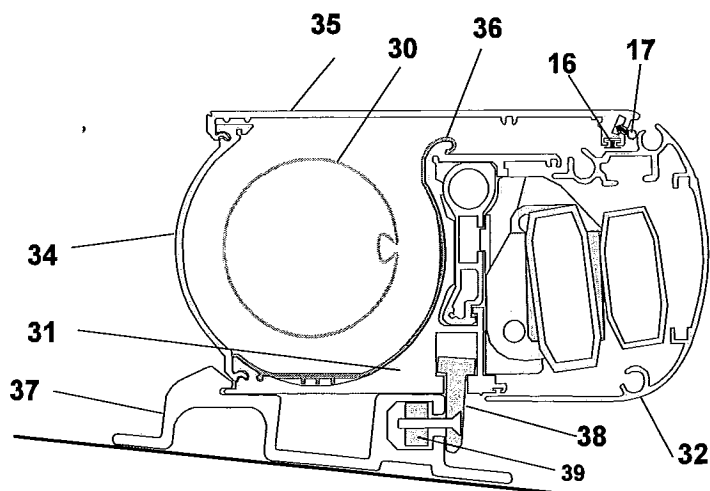
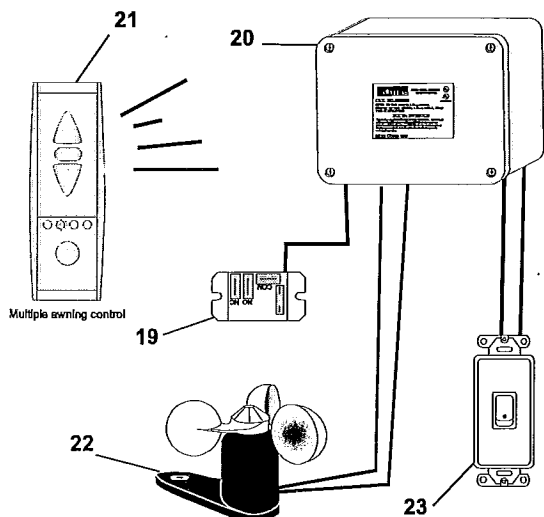
NEW CENTURY

# Automatic Awning

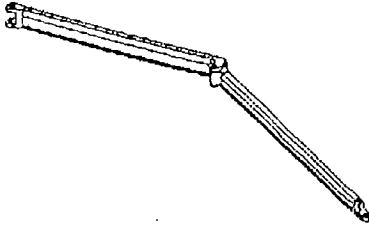
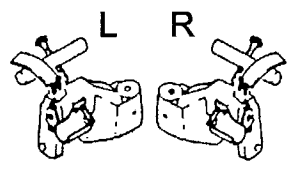
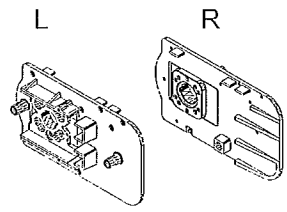
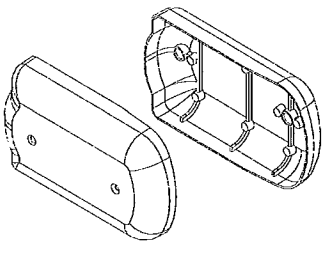
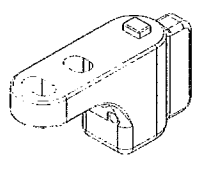
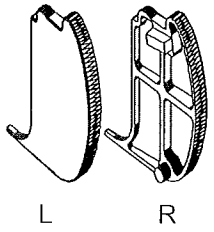
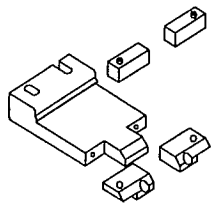
## PARTS LIST




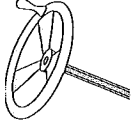
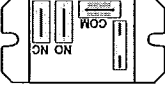


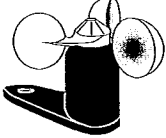
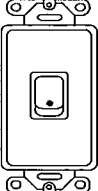



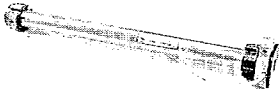
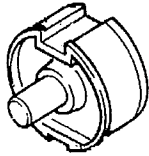
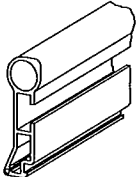
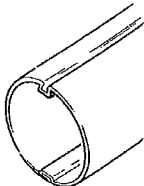
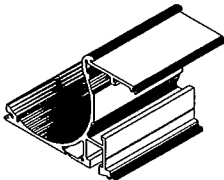
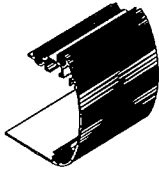

### CONTROL GROUP

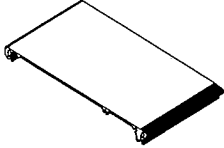
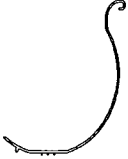
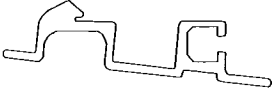
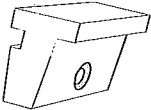
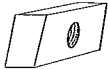


### BOX AND MOUNTING COMPONENTS



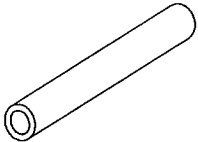

Ref. No.	Part No.	Part Illustration	Description	Std. Qty per Awning
1	360003		Seculflex70 (150 cm) LEFT	1
2	360004		Seculflex70 (150 cm) Right	1
1	360005		Seculflex70 (300cm) LEFT	1
2	360006		Seculflex70 (300 cm) Right	1-2
5	360007		Tilting arm bracket, left, with tappet adjustment	1
6	360008		Tilting arm bracket, right, with tappet adjustment	1
7	360010		Side bearing, left, with bushing; use with cover	1
7C	360011		Side bearing, left, milled flat; use <u>without</u> cover	1
8	360012		Side bearing, right, with bushing; use with cover	1
8C	360013		Side bearing, right, milled flat; use <u>without</u> cover	1
9	360016		PVC Cover (Left or right) with countersunk screw hole	
11	360021		Front bar connector, type 2001	
12	360022		Front bar end cap, left, round	1
12C	360023		Front bar end cap, left, CC Custom	1
13	360024		Front bar end cap, right, round	1
13C	360025		Front bar end cap, right, CC Custom	1
14	360026		Bracket Assembly (with connectors, insert and fasteners)	2 - 6 Pieces

Ref. No.	Part No.	Part Illustration	Description	Std. Qty per Awning
15	224240 225240		Full fabric canopy 10 ft. Extension per. Ft. 5 ft. Extension, per. Ft.	
16	360028		Sealing brush for top cover	
17	360030		Sealing ledge for top cover	
18	299800		Emergency Wheel	
19	318231		Ignition Cut-off Relay	
20	318092		Receiver	
21	318095 318096	 Channel Selector 4 Channel transmitter 1 Channel transmitter	Transmitters: Single Channel 4 Channel	
22	318091		Wind Sensor (Anemometer)	
23	318093		Wall Switch	
24	321030		Limit Switch Adjusting tool	

Ref No.	Part No.	Part Illustration	Description	Std. Qty per Awning
25	201450		Motor assembly, including drive, tube adapter and CMO bracket; 120 VAC	
25A	318114		Motor only	
25B	318115		Drive and Tube Adapter	
25C	318118		CMO Braket	
28	360032		Pivot (casted) d=78 mm	
29	360036		Support extrusion	
30	360042 360046 360050		Roller tube galvanized steel with flat groove	
31	360056 360060 360064		Central extrusion	
32	360070 360074 360076		Front bar, round	
34	360082 360086 360088		Back cover	

Ref. No.	Part No.	Part Illustration	Description	Std. Qty Per Awning
35	360094 360098 360100		Top cover	
36	360102		PVC seam inlay shell for central rails	6
37	346402		44" Adapter Plate 30" Adapter Plate 22" Adapter Plate	2 - 3
38	346411		"T" connector	6
39	346420		Insert	6

**PARTS NOT ILLUSTRATED**

NI	318094		10 ft. Connector cord: Wall Switch to Receiver	
NI	360104		Cover plate for support extrusion	
NI	360106 360108		PVC tube d= 4.8 mm    Insert into roller tube slot d=6.0 mm    Insert into Front Bar slot	
NI	360110		Fabric lock	2