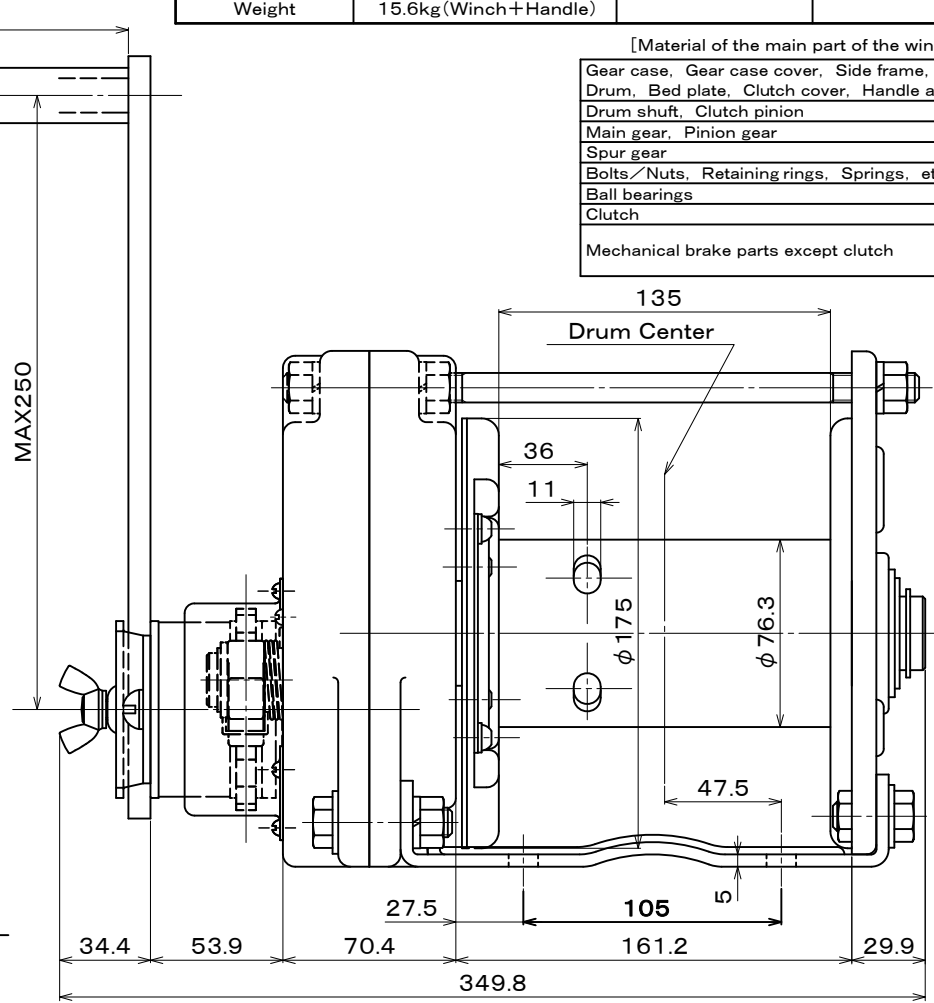
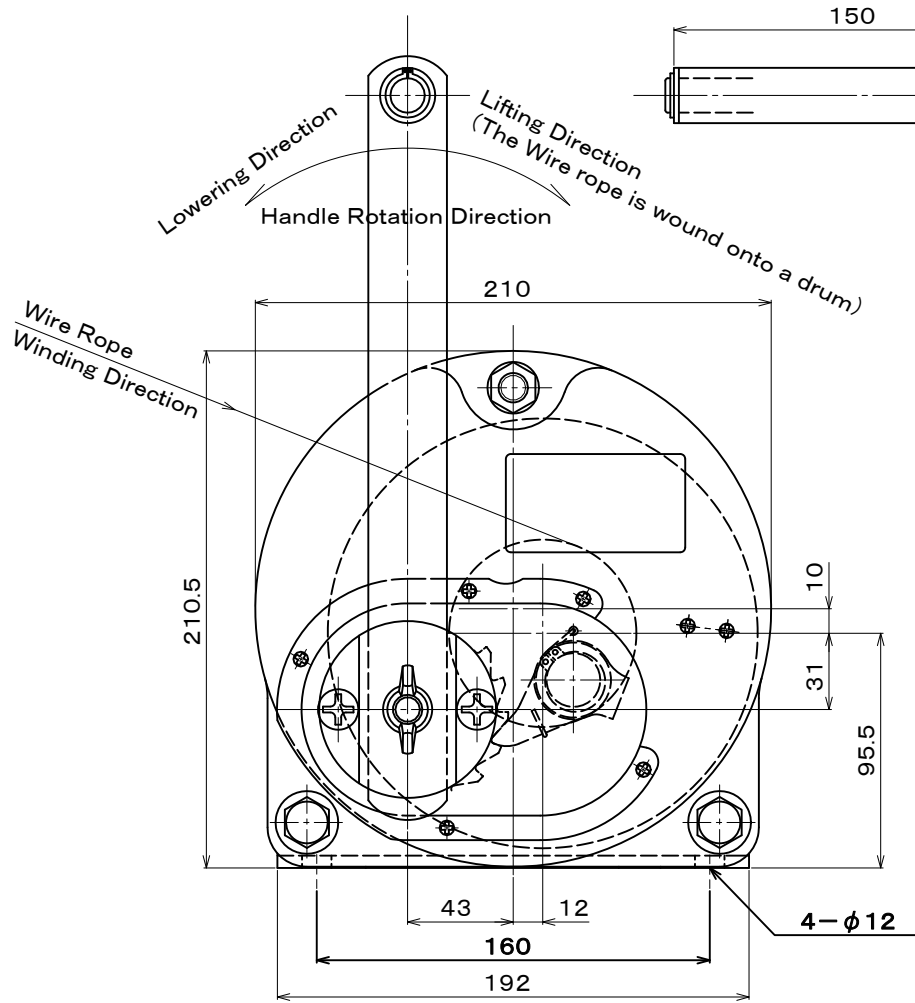


※To prevent irregular winding of the wire rope around the drum, keep the fleet angle 2 degrees or less.

Please install the pulley 2025mm or more away from the drum on the center line of the drum.

※The value of specified "Wire Rope Tension" on this drawing is for the standard layer or less.

The value of the "Wire Rope Tension" must be decreased accordance with the ratio of the actual winding layers, if it exceeded.



### Specifications

(The wire rope composition is a manufacturer recommendation.)

Load Rating	4,900N (=500kgf)	Handle Force	Handle Length	Number of Wire Rope Winding Layer
Wire Rope Tension	5th Layer (Standard Layer)		250mm	
Drum Capacity	Wire Rope 6-Layer Windings φ6mm (6 × 37) × 40m	Standard Accessories	Wire Rope Tension	3rd Layer 142N (=14.4kgf)
Gear Ratio	1/8.9		4,900N	5th Layer 174N (=17.7kgf)
Effective Handle Length	250mm (Maximum)	Painting	One Handle	
Weight	15.6kg (Winch+Handle)		One Hex Wrench for Anchoring the Wire Rope	

[Material of the main part of the winch]

Gear case, Gear case cover, Side frame, Drum, Bed plate, Clutch cover, Handle arm	SUS304
Drum shaft, Clutch pinion	SUS304
Main gear, Pinion gear	SCM415
Spur gear	S25C
Bolts/Nuts, Retaining rings, Springs, etc.	SUS304
Ball bearings	SUS440C
Clutch	CAC403
Mechanical brake parts except clutch	SUS303 SUS304 SUS420J2

△ x	..	図面番号 / DRAWING No.	ESB5SI-161031-01E	改訂番号 / REVISION No.	00	お客様 / CUSTOMER	符号 / MARK	項目 / PARTICULARS	材料 / MATERIAL	数量 / QTY	単体合計 / PER ONE TOTAL	備考 / REMARKS
△ x	..	承認 / APPROVED	検図 / CHECKED	作成 / DRAWN	図面名 / TITLE	MAXPULL STAINLESS STEEL WINCH (ELECTROPOLISHING) STOPPER ARMLESS ROTATING MODEL ESB-5-SI	投影法 / PROJECTION METHOD	第三角法 / THIRD ANGLE PROJECTION	尺度 / SCALE	台数 / QTY		
△ x	..	設計部	設計部	設計部								
△ x	..	16.10.31	16.10.31	16.10.31								
改訂 / REVISION	..	米澤	松嶺	武松								

