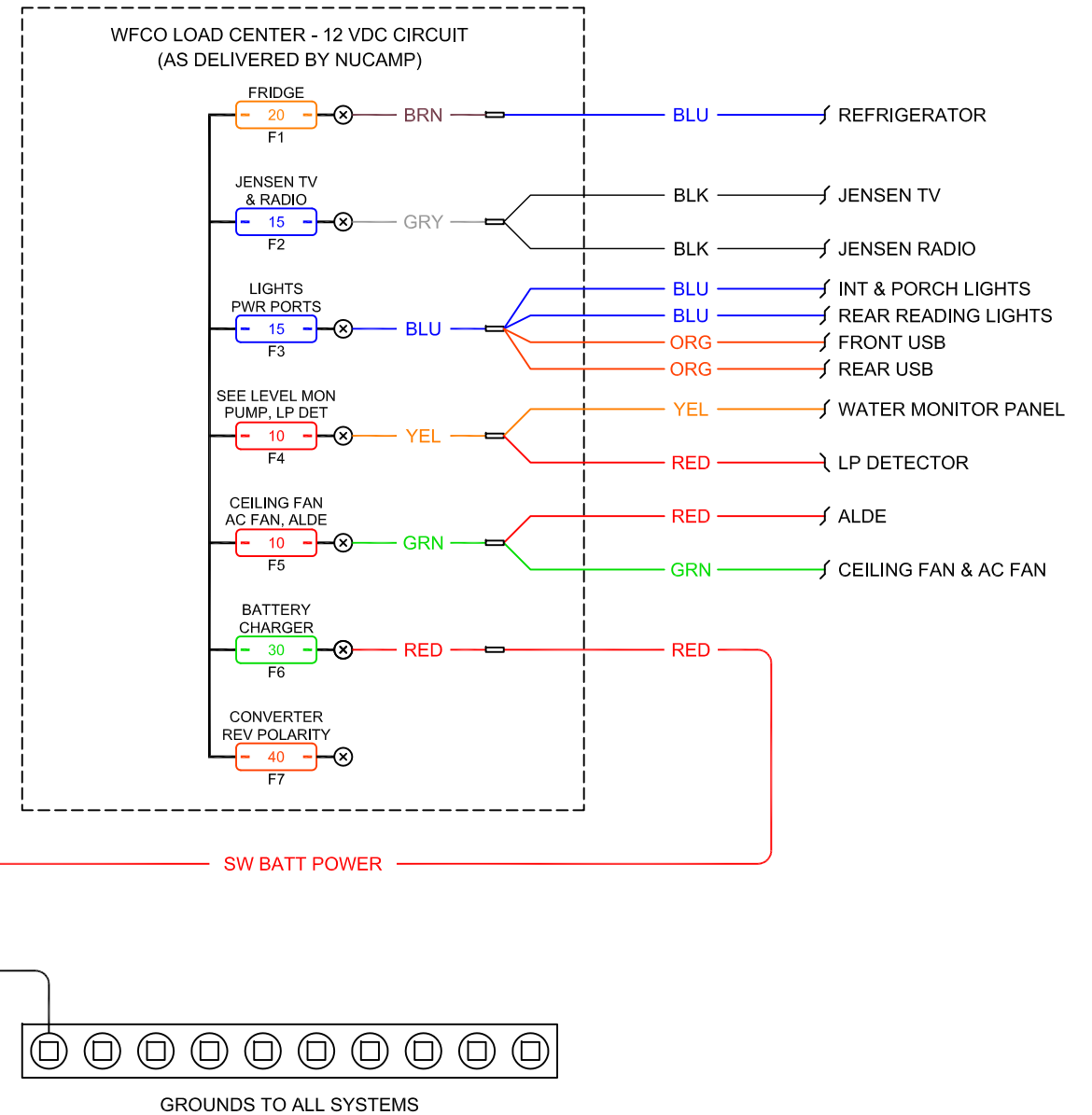
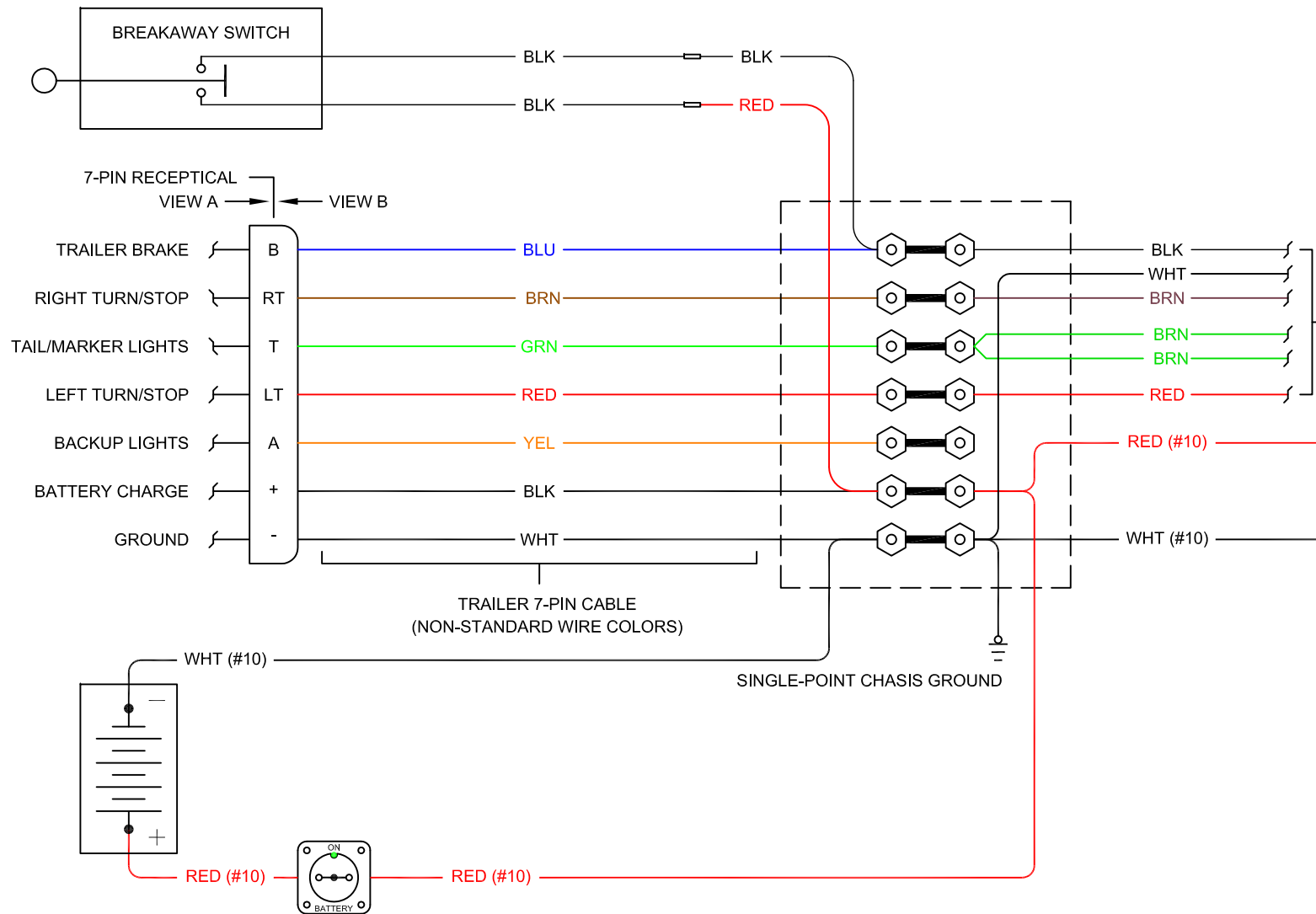
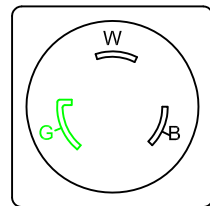


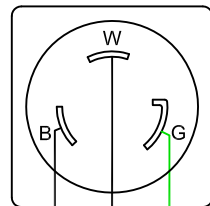
There seems to be considerable variation in the exact layout of the DC fuse panel by nuCamp. If your layout does not match the one shown below, you can create your own fuse map by systematically removing fuses and checking to see which loads are affected. The wire colors connected to the DC power loads shown below should provide a good list of which systems to check.



NEMA L5-30P
WIRE SIDE

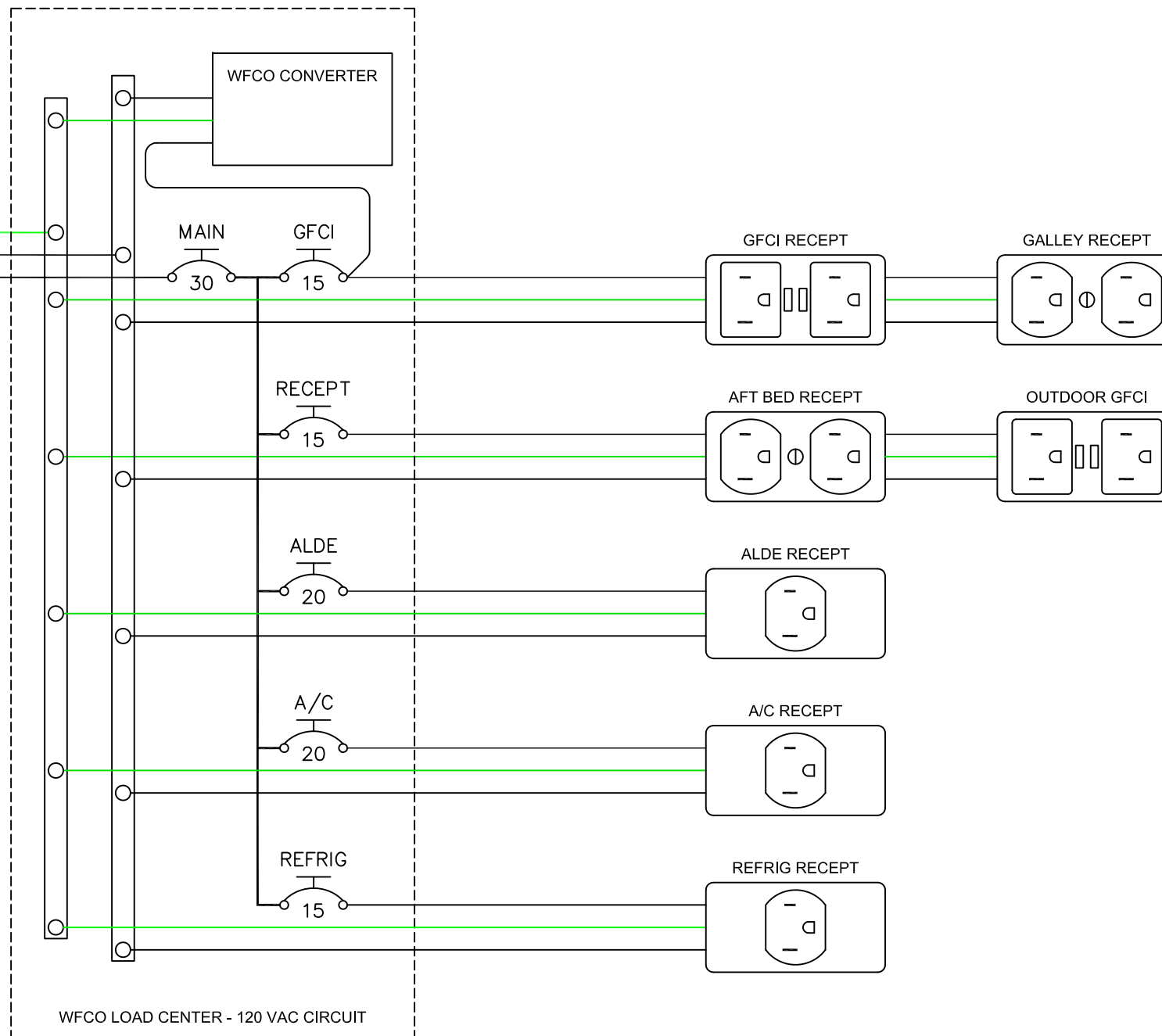


MALE NEMA L5-30P
MATING SIDE
TRAILER POWER CONNECTOR



GRN #10 — GND
WHT #10 — COM
BLK #10 — HOT

LOC: LOWER L.H. BENCH



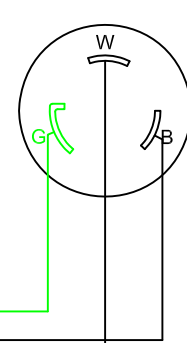
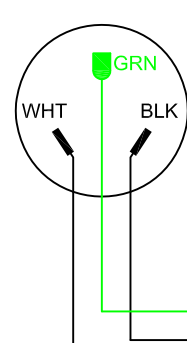
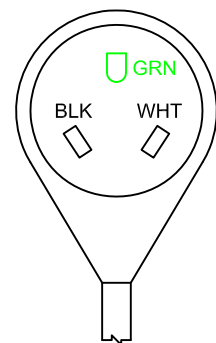
PEDESTAL CONNECTION

POWER CORD

NEMA TT-30R
MATING SIDE

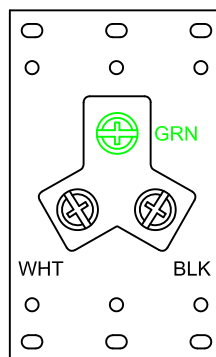
NEMA TT-30P
MATING SIDE

NEMA L5-30R
MATING SIDE

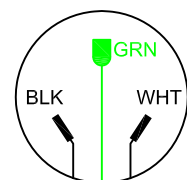


GRN #10
BLK #10
WHT #10

NEMA TT-30R
(WIRE SIDE)



NEMA TT-30P
WIRE SIDE



NEMA L5-30R
WIRE SIDE

