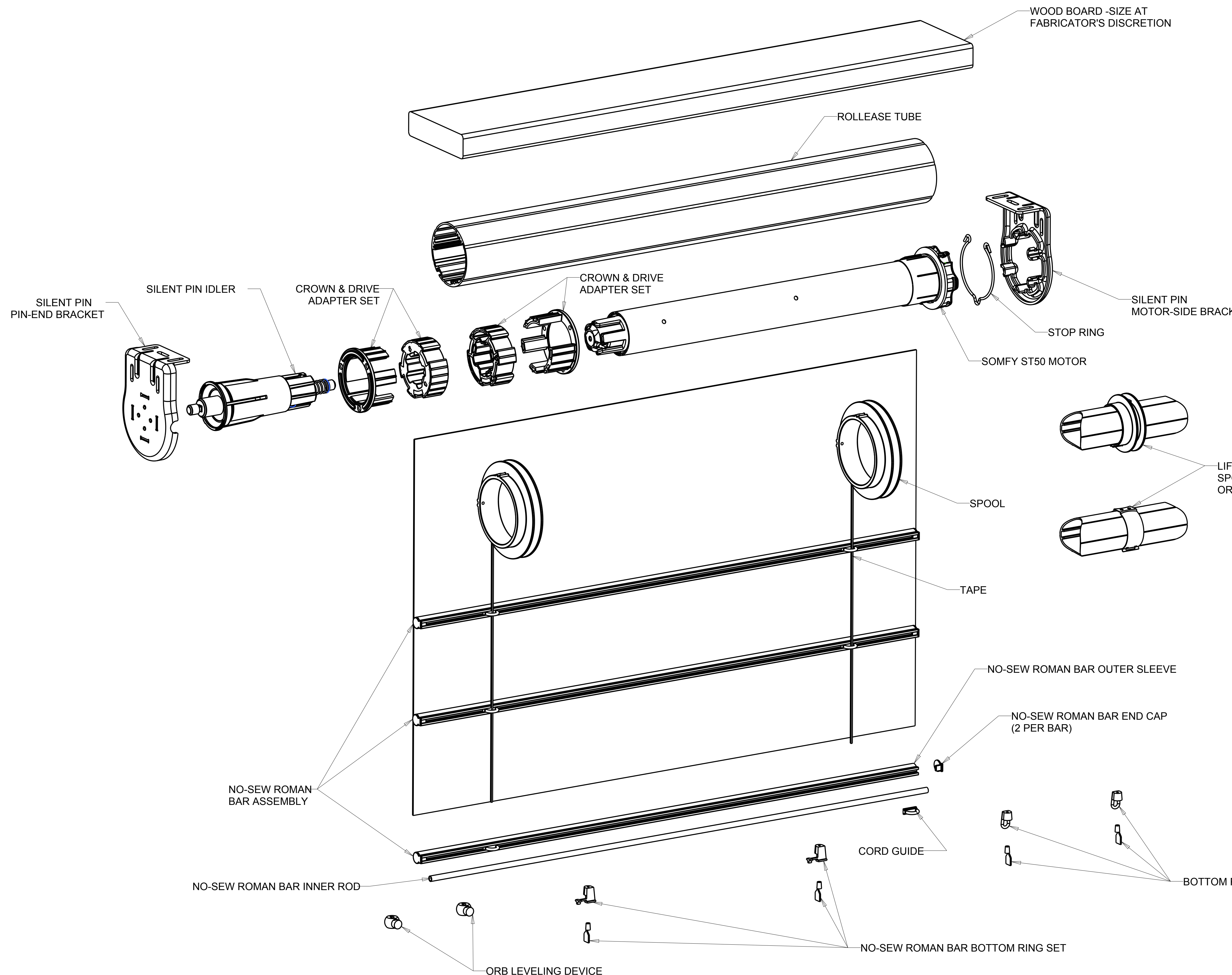


REVISION RECORD				
SYM	DESCRIPTION	BY	DATE	CHK



LIFT FASTENING OPTIONS:
SPOOL & TAPE
OR CLIP & CORD

<small>THIS INFORMATION IS CONFIDENTIAL AND PROPRIETARY TO ROLLEASE, INC. THE POSSESSOR AGREES TO MAINTAIN THIS INFORMATION AS CONFIDENTIAL, NOT REPRODUCE OR DISSEMINATE IN WHOLE OR IN PART TO ANY THIRD PARTY.</small>	INCHES	RollEase Window Covering Systems		
	TOLERANCES	<small>X.XX ± 0.015</small> <small>X.XXX ± 0.005</small> <small>ANG ± 1°</small>	<small>DESIGNED BY</small> RAE	<small>TITLE</small> ROLLER ROMAN ST50
	DATE	<small>SCALE</small> D	<small>ENGINEERING DRAWING NUMBER</small> W174P031	<small>REV</small> 1
	<small>14MAY13</small>	<small>1</small>	<small>1.1</small>	<small>1</small>