

## AB330135 Radial Transmitter and Controller AB330136 Axial Transmitter and Controller

### Application:

AB330135/6 Radial/Axial Transmitter and Controller is widely used in the condition monitoring and failure analysis of the shell vibration of mechanical devices, such as: petrochemical pipeline, centrifuge, steam turbine, blowing engine, generator, motor, air compressor, engine, pumps, gear boxes, industrial fans and other critical machineries.

### Features:

- Built-in integrated driver, directly-connected sensor
- EMC electromagnetic compatibility
- High sensitivity and accuracy
- Double circuit alarm control relays; AB330136 with 4-level alarm settings
- 4-20mA output or 1-5v output
- Remote reset (bypass alarm) function
- Bright LED local display
- Optional DIN-rail mounting
- Two groups of dynamic signal output
- Sensor malfunction indication
- Compatible to 5/8/11mm proximity probes by most major manufacturers

### Specifications

#### Electrical

#### Power Supply Voltage:

**20 to 30VDC, 100mA; 90 to 265 VAC; 50/60Hz, 50mA.**

**Output:** 4-20mA, **Maximum** Signal Transmission Distance: 1000m, **Maximum** Load Resistance: 750  $\Omega$ ; 1-5V, **Maximum** Signal Transmission Distance: 300m to 500m, Output Impedance: 50 $\Omega$ ;

#### Double circuit alarm control relays

**Type: SPDT:** 7A, 30VDC; 7A, 250VAC; 12A, 125VAC.

#### Alarm Setpoint Range:

0-100% of vibration full range. AB330136 with 4-level alarm settings: 0-100% of vibration full range.

LED Indicator: Bright LED,

Green OK light: indicating sensor condition

Yellow Alert Light: Indicating 1st circuit "Alert" condition

Red Alert Light: Indicating 2nd circuit "Danger" condition

**Sensor Malfunction:** Output current driven below 3mA, sensor breaks off; Green "OK" light off.

**Frequency Response:** 2-3KHz

**Testing Material:** AISI4140

**ESD Protect:** Connectors provide ESD protection.

#### Linear Range:

-1 to 1mm (5/8mm probe);

-2 to 2mm (11mm probe);



### Signal Output Connection:

#### BNC connector (TEST) and terminal (GAPV):

Used with 5/8mm probes, sensitivity is 8mV/ $\mu$ m;

Used with 11mm probes, sensitivity is 4mV/ $\mu$ m;

Sensor Output: 2-18VDC

Suggested probe voltage:  $8 \pm 0.2$ v.

Output Impedance: 100 $\Omega$ .

#### Maximum Signal Transmission Distance:

**300m to 500m.**

### Environmental

**Temperature Limits:** -40°C to +85°C;

**Storage Temperature Range:** -51°C to +100°C;

**Operating Humidity Range:**

**95% non-condensing, external environmental protection is required.**

### Physical

#### Dimensions(mm):

35mm DIN Rail-Mounting:

130 (Length) x 73 (wide) x 82 (height)

Baseplate mounting:

120 (Length) x 88 (wide) x 79 (height)

**Weight:** 600g;

**Enclosure:** Aluminum casting

#### Installation:

35mm DIN rail or baseplate mounting:

35mm DIN Rail-Mounting:

90 (Length) x 38 (wide) x 86 (height)

Baseplate mounting:

78 (Length) x 60 (wide) x 80 (height)

**Weight:** 280g;

**Enclosure:** Aluminum casting

#### Installation:

**35mm DIN rail or baseplate mounting**

## How to Select

**MODEL** AB330135-AXX-BX-CX-DX-EX-MXX

**Standard:** AB330135-01-0-0-0-0-00

### A: Range Code (PK-PK)

- 01: 0-75um
- 02: 0-100um
- 03: 0-125um
- 04: 0-200um
- 05: 0-250um
- 06: 0-500um
- 07: 0-800um
- 08: 0-1000um

### B: Power Supply

- 0: 24VDC
- 1: 90 - 265 VAC

### C: Alarm control relays

- 0: Double circuit alarm control relays
- 1: None

### D. Transmitter Output

- 0: 4-20mA
- 1: 1-5V

### E. Mounting Style:

- 0: 35mm DIN-rail
- 1: Baseplate

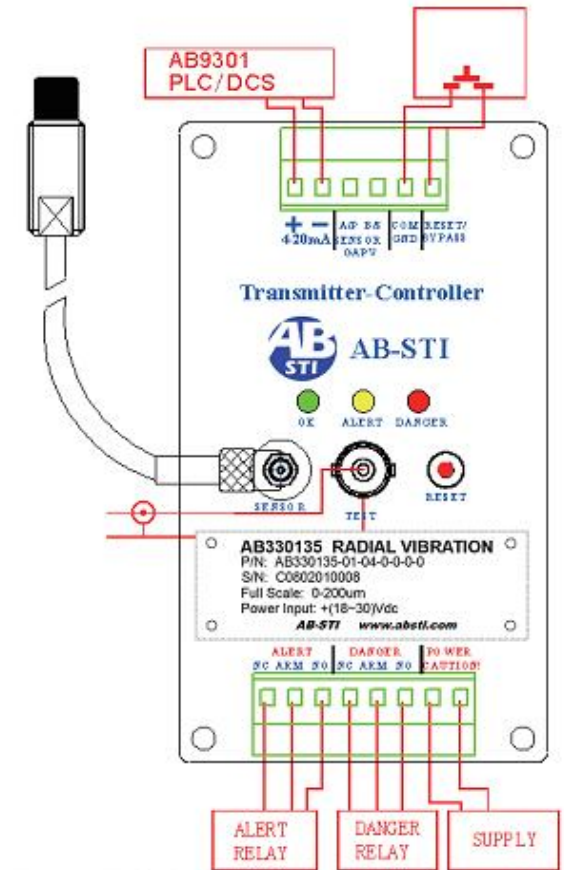
### M: Sensor input type

- 00: AB33 series 5/8mm proximity probe, 5m system,
- 01: AB33 series 5/8mm proximity probe, 9m system,
- 02: AB33 series 11mm proximity probe, 5m system,
- 03: AB33 series 11mm proximity probe, 9m system,
- 04: Bently's 7200 series 5/8mm proximity probe, 5m system,
- 05: Bently's 7200 series 5/8mm proximity probe, 9m system,
- 06: Bently's 7200 series 11mm proximity probe, 5m system,
- 07: Bently's 7200 series 11mm proximity probe, 9m system,
- 08: Bently's 3300 series, 3300XL series 8mm proximity probe, 1m system,
- 09: Bently's 3300 series, 3300XL series 8mm proximity probe, 5m system,
- 10: Bently's 3300 series, 3300XL series 8mm proximity probe, 9m system,
- 11: Bently's 3300 series, 3300XL series 11mm proximity probe, 5m system,
- 12: Bently's 3300 series, 3300XL series 11mm proximity probe, 9m system,
- 13: Bently's 3300RAM, 3300XL Nsv series 5mm proximity probe, 5m system,
- 14: Bently's 3300RAM, 3300XL Nsv series 5mm proximity probe, 7m system,

### NOTES:

When using this model, proximity sensors or compatible products must be selected; no driver

needed.



## How to Select

**MODEL** AB330136-AX-BX-CX-DX-EX-MXX  
**Standard:** AB330136-1-0-0-0-0-00

### A: Range Code (mm)

0: (-1) - 0 - (+1)

1: (-0.75) - 0 - (+0.75)

2: (-2) - 0 - (+2)

### B: Power Supply

0: 24VDC

1: 90 - 265 VAC

### C: Alarm control relays

0: Double circuit alarm control relays

1: None

### D. Transmitter Output

0: 4-20mA

1: 1-5V

### E. Mounting Style:

0: 35mm DIN-rail

1: Baseplate

### M: Sensor input type

00: AB33 series 5/8mm proximity probe,  
5m system,

01: AB33 series 5/8mm proximity probe,  
9m system,

02: AB33 series 11mm proximity probe,  
5m system,

03: AB33 series 11mm proximity probe,  
9m system,

04: Bently's 7200 series 5/8mm  
proximity probe, 5m system,

05: Bently's 7200 series 5/8mm  
proximity probe, 9m system,

06: Bently's 7200 series 11mm  
proximity probe, 5m system,

07: Bently's 7200 series 11mm  
proximity probe, 9m system,

08: Bently's 3300 series, 3300XL series 8mm  
proximity probe, 1m system,

09: Bently's 3300 series, 3300XL series 8mm  
proximity probe, 5m system,

10: Bently's 3300 series, 3300XL series 8mm  
proximity probe, 9m system,

11: Bently's 3300 series, 3300XL series 11mm  
proximity probe, 5m system,

12: Bently's 3300 series, 3300XL series 11mm  
proximity probe, 9m system,

13: Bently's 3300RAM, 3300XL Nsv series 5mm  
proximity probe, 5m system,

14: Bently's 3300RAM, 3300XL Nsv series 5mm  
proximity probe, 7m system,

