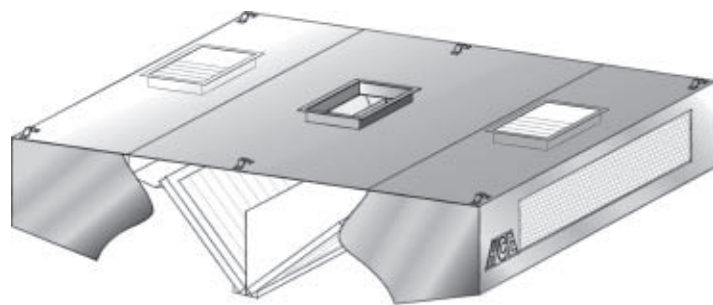


Model **LC-HAI-C-MKA**

**Filter hood
 with frontal
 make-up air**

C




Suggested model

- Restaurant chains (hospitals, schools, hotels, etc.)
- Island hood
- Low-ceiling kitchens

Description :

HCE central island exhaust hood model LC-HAI-C-MKA complete with baffle filters.

Specifications:

- Constructed of sturdy 18-gauge (1.2 mm) stainless steel
- Available in lengths of 3' 0" to 16' 0" (914 mm to 4,877 mm)
- Specially designed for low-ceiling kitchens
- Washable baffle filters
- Replacement tempered air distributed at front of hood
- Improves productivity by ensuring efficiency, performance and comfort for the kitchen staff
- Easy installation
- Listed 
- Many options available (see reverse)
- Quick delivery

Construction :

Exposed hood surface: type 430 stainless steel (304 optional) with #4 finish (brushed). Non-exposed hood surface: stainless steel with #2B finish. Minimum 18-gauge (1.2 mm) thickness. All visible welded joints are polished to match original finish. To meet NFPA- 96 requirements.

Installation :

Suspension (recommended height)

The hood should be installed 6' 6" (1,981 mm) from the floor. Hanging brackets are welded at all four corners.

Semi-combustible materials

A clearance of 3" (76 mm) is required when the hood is in contact with semi-combustible materials. As per NFPA-96 standards, a stainless steel spacer will be required.

Enclosure panels (optional):

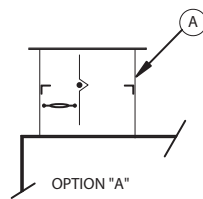
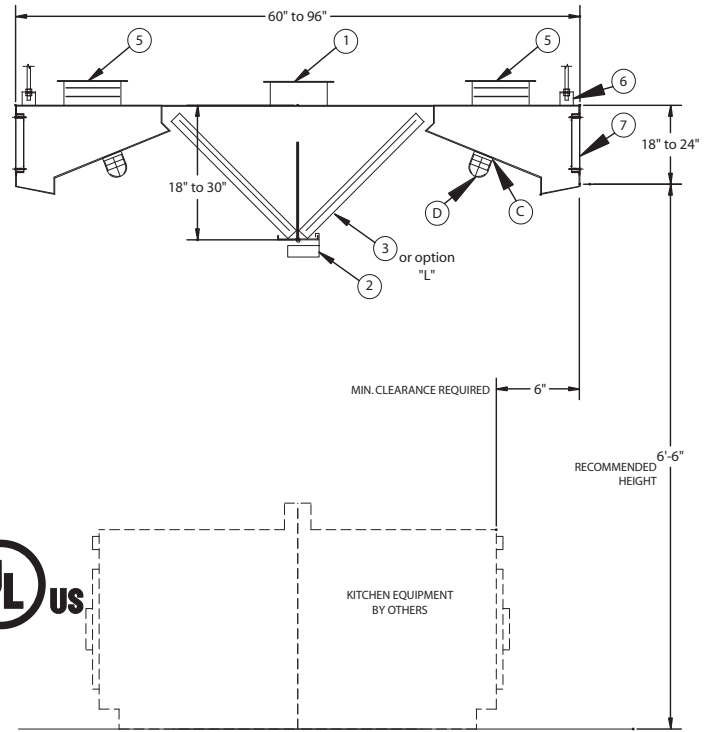
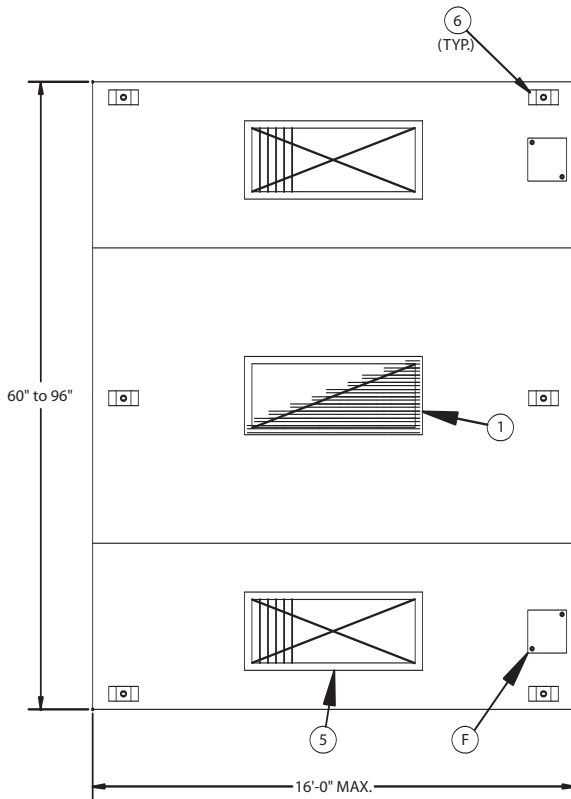
The space between the top of the hood and the ceiling may be closed with stainless steel panels in the same finish as the hood.

Electrical:

Junction box and pre-wiring for lighting system may be factory installed if required.

C

Filter hood with frontal make-up air



Optional accessories: (see section "K" for details)

A	ULC-listed exhaust collar with fire damper
B	ULC-listed exhaust collar with balancing damper
C	Incandescent lights (Quantity recommended: (1) light per 5 linear feet of hood)
D	Wire guard for incandescent lights
F	Junction box and pre-wiring for lighting
H	Enclosure panels, stainless steel with #4 finish, between hood and ceiling
I	PAC-02 programmable control panel
J	End skirts should be used to maximize hood performance
L	ULC-listed stainless steel baffle filters

Accessories included:

1	Exhaust collar (3" high)
2	Used grease receptacle
3	ULC-listed galvanized steel baffle filters
5	Supply collar with ULC-listed fire damper
6	Hanging brackets
7	Stainless steel supply grid



Model **LC-HAI-C-MKA**



Filter hood with frontal make-up air

Length		520 CFM (245 L/S) / Linear Ft. *				Supply		Collar/Opening 12" (305 mm) x _____	
Feet	mm	CFM	L/S	Inches	mm	CFM	L/S	Inches	mm
3'-6"	1068	1820	860	14	356	1400	660	(2) 12	(2) 305
4'-0"	1220	2080	982	14	356	1650	780	(2) 12	(2) 305
4'-6"	1372	2340	1105	16	406	1800	850	(2) 14	(2) 356
5'-0"	1524	2600	1227	18	457	2050	970	(2) 14	(2) 356
5'-6"	1676	2860	1350	20	508	2250	1060	(2) 16	(2) 406
6'-0"	1828	3120	1473	22	559	2480	1170	(2) 18	(2) 457
6'-6"	1981	3380	1595	24	610	2720	1285	(2) 20	(2) 508
7'-0"	2134	3640	1718	26	660	2950	1390	(2) 22	(2) 559
7'-6"	2286	3900	1840	28	711	3150	1485	(2) 22	(2) 559
8'-0"	2438	4160	1964	30	762	3250	1535	(2) 24	(2) 610
8'-6"	2590	4420	2086	32	812	3500	1650	(2) 26	(2) 660
9'-0"	2743	4680	2208	34	864	3800	1795	(2) 28	(2) 711
9'-6"	2895	4940	2332	(2) 18	(2) 457	4050	1910	(2) 28	(2) 711
10'-0"	3048	5200	2455	(2) 18	(2) 457	4300	2030	(4) 16	(4) 406
10'-6"	3200	5460	2577	(2) 20	(2) 508	4550	2150	(4) 16	(4) 406
11'-0"	3352	5720	2700	(2) 20	(2) 508	4800	2265	(4) 18	(4) 457
11'-6"	3505	5980	2823	(2) 22	(2) 559	5100	2410	(4) 18	(4) 457
12'-0"	3657	6240	2945	(2) 22	(2) 559	5300	2500	(4) 18	(4) 457
12'-6"	3810	6500	3068	(2) 24	(2) 610	5500	2595	(4) 20	(4) 508
13'-0"	3962	6760	3190	(2) 24	(2) 610	5750	2715	(4) 20	(4) 508
13'-6"	4115	7020	3314	(2) 26	(2) 660	6000	2830	(4) 22	(4) 559
14'-0"	4267	7280	3435	(2) 26	(2) 660	6300	2975	(4) 22	(4) 559
14'-6"	4420	7540	3560	(2) 28	(2) 711	6550	3090	(4) 24	(4) 610
15'-0"	4572	7800	3680	(2) 28	(2) 711	6800	3210	(4) 24	(4) 610
15'-6"	4724	8060	3804	(2) 30	(2) 762	7000	3300	(4) 26	(4) 660
16'-0"	4877	8320	3926	(2) 30	(2) 762	7200	3400	(4) 26	(4) 660

* Exhaust for 84" (2,130 mm) V-bank filter central island hood. Contact us for assistance to determine the appropriate air volume.



	Exhaust VOLUME (CFM / Lin. Ft.)	Internal pressure loss (IN / H ₂ O)	Exhaust VOLUME (L/S per linear metre)	Internal pressure loss (Pa)
Light cooking	450	0,40	696	100
Medium cooking	520	0,40	800	100
Heavy cooking	700	0,60	1080	150