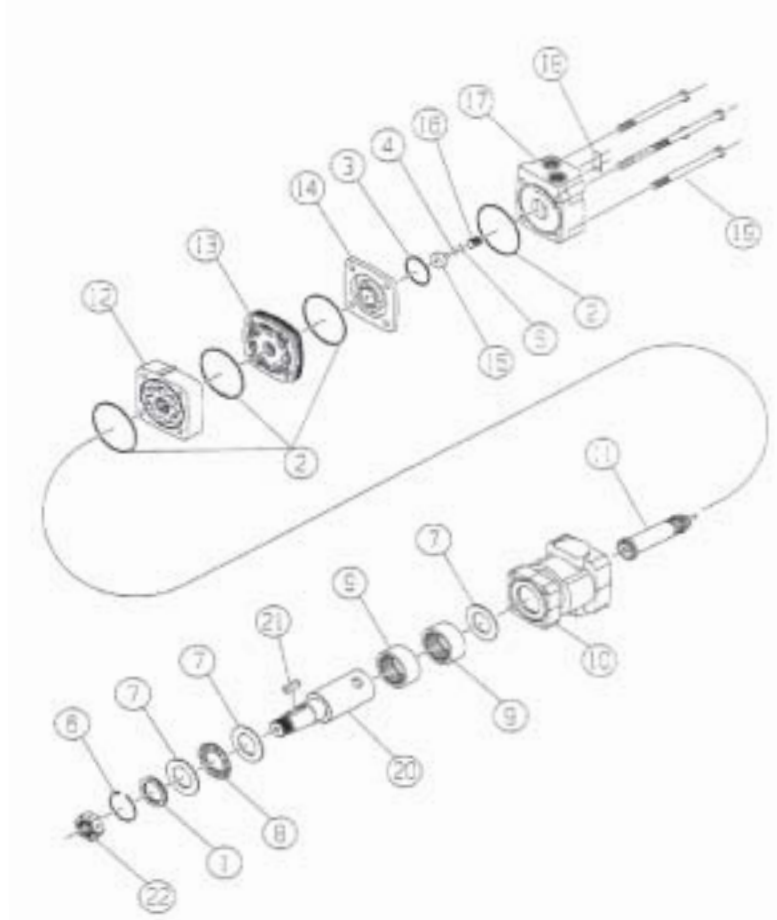
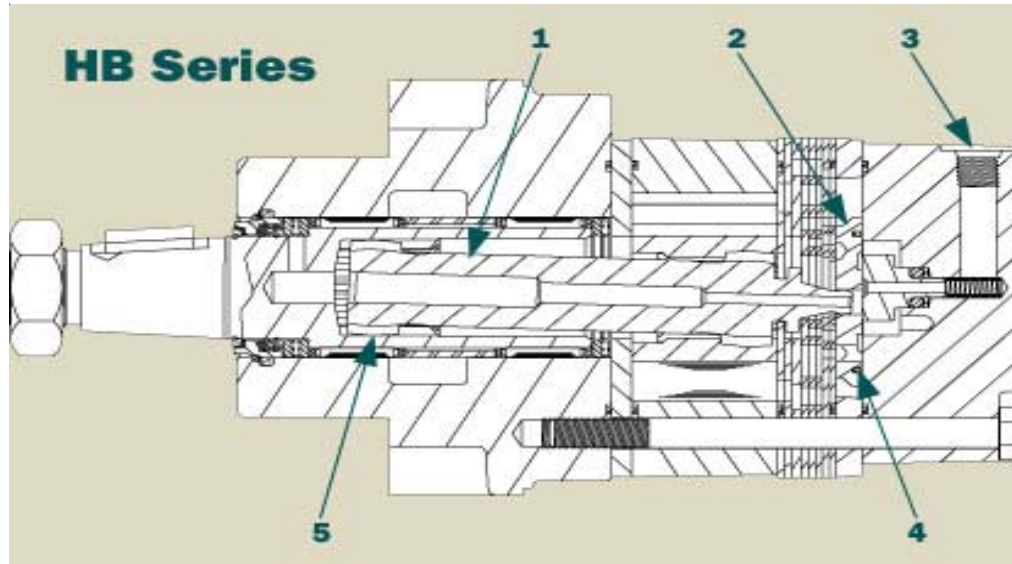


# DIXIE CHOPPER

The World's Fastest Lawn Mower

## Wheel Motor

Parts and reference Guide.  
From 1990 to 2003



# **DIXIE CHOPPER**

## **Addendum to page 125 In the 2003 PARTS MANUAL**

The wheel motor on the 1990-1994 machines is no longer serviced in component parts.

However: If your machine has not already been converted, complete replacement wheel motors are available. These are PN#67112 for XF and PN#67114 for the LX,X,XW, machines. You need an PN#67002 wheel flange and PN#W-137 Belleville washer. These replace the one inch axle wheel motors in the older machines.

This motor is serviced with sub-components from Dixie Chopper parts department.

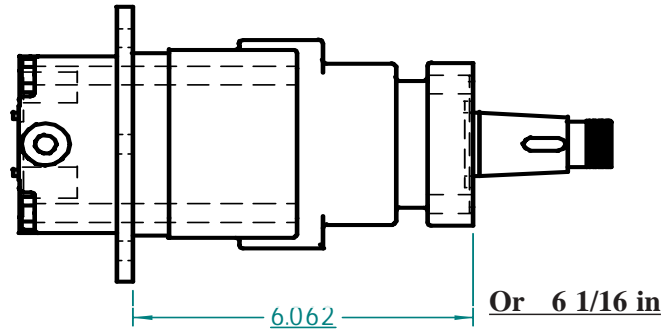
# DIXIE CHOPPER

The World's Fastest Lawn Mower

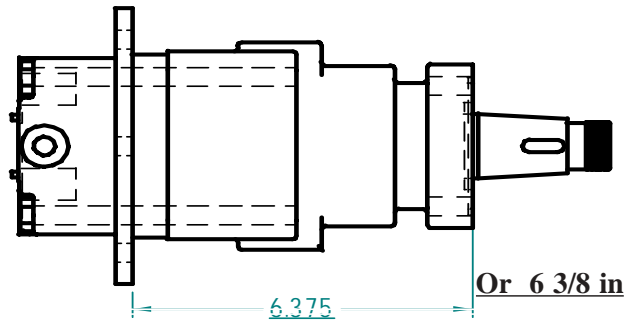
This will help to identify the Part Number of the wheelmotor by measuring the length of the motor from the mounting plate to the flange.

## WHEEL MOTOR COMPARISON

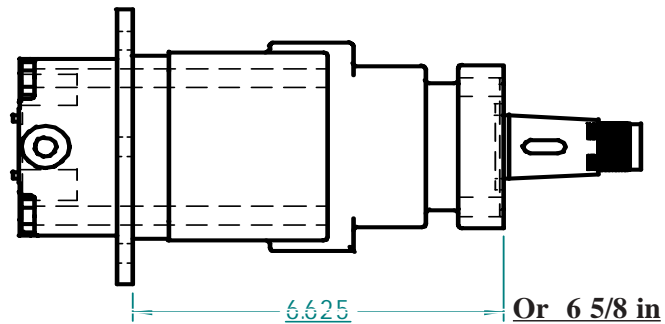
12 cubic inch  
PN#67112



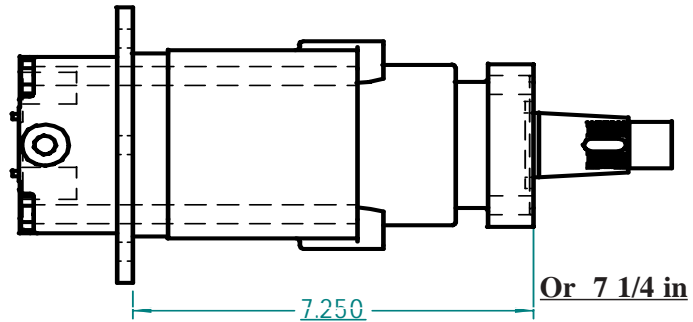
14 cubic inch  
PN#67114



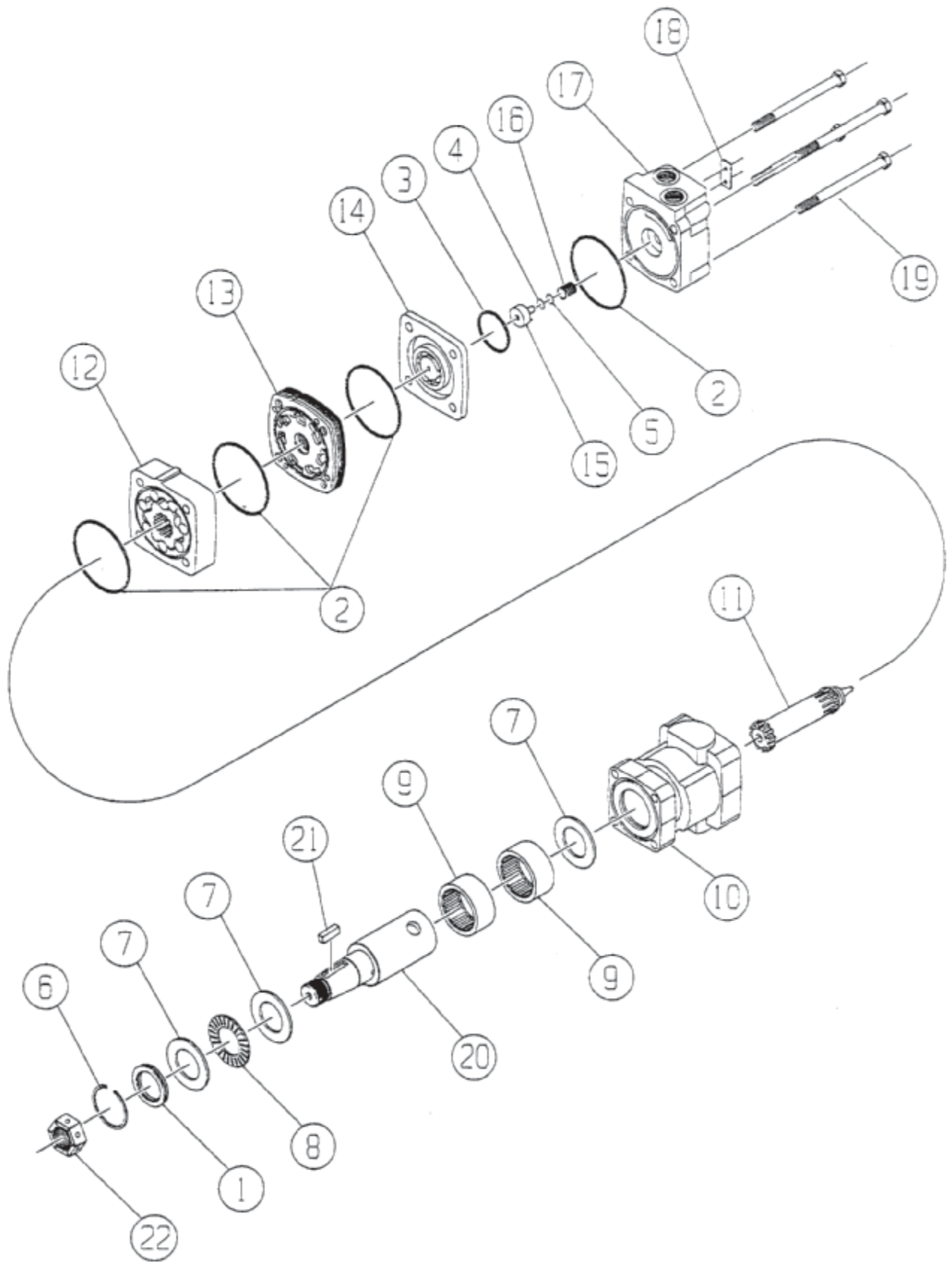
18 cubic inch  
PN#67118-W



24 cubic inch  
PN#97363



		12 Cubic Inch	14 Cubic Inch	18 Cubic Inch	24 Cubic Inch
		PN#67112	PN#67114	PN#67118	PN#97363
1	Dust/shaft seal 1-5 IN SEAL KIT	PB018069 <i>In Seal Kit</i>	PB018069 <i>In Seal Kit</i>	PB018069 <i>In Seal Kit</i>	PB018069 <i>In Seal Kit</i>
2	Body seal 4 1-5 IN SEAL KIT	<i>In Seal Kit</i>	<i>In Seal Kit</i>	<i>In Seal Kit</i>	<i>In Seal Kit</i>
3	Commutator seal 1-5 IN SEAL KIT	<i>In Seal Kit</i>	<i>In Seal Kit</i>	<i>In Seal Kit</i>	<i>In Seal Kit</i>
4	O-Ring seal 1-5 IN SEAL KIT	<i>In Seal Kit</i>	<i>In Seal Kit</i>	<i>In Seal Kit</i>	<i>In Seal Kit</i>
5	Teflon backup seal 1-5 IN SEAL KIT	<i>In Seal Kit</i>	<i>In Seal Kit</i>	<i>In Seal Kit</i>	<i>In Seal Kit</i>
	Seal Kit	PB333700	PB333700	PB333700	PB333700
6	Snap Ring	PB018073	PB018073	PB018073	PB018073
7	Thrust Washers	PB018054	PB018054	PB018054	PB018054
8	Thrust Bearings	PB018052	PB018052	PB018052	PB018052
9	Housing Bearings	PB018053	PB018053	PB018053	PB018053
10	Housing	PT130015	PT130015	PT130015	PT130015
11	Drive Link	PB014030	PB01427	PB01427	PB014031
12	Rotor Assembly	PB332012	PB332014	PB332018	PB332024
13	Manifold	PB015008	PB015008	PB015008	PB015008
14	Commutator Assy.	PB012015	PB012015	PB012015	PB012015
15	Endcover Piston	PB018056	PB018056	PB018056	PB018056
16	Piston Spring	PB018059	PB018059	PB018059	PB018059
17	Endcover	PB160007G	PB160007G	PB160007G	PB160007G
18	I.D. Tag Assy.	O.E.M	O.E.M	O.E.M	O.E.M
19	Assembly Bolts 4	PB334012	PB334014	PB334018	PB334024L
20	Shaft	PW72545	PW72545	PW72545	PW72545
21	Shaft Key	PW72546	PW72546	PW72546	PW72546
22	Shaft Nut	PB339303P	PB339303P	PB339303P	PB339303P

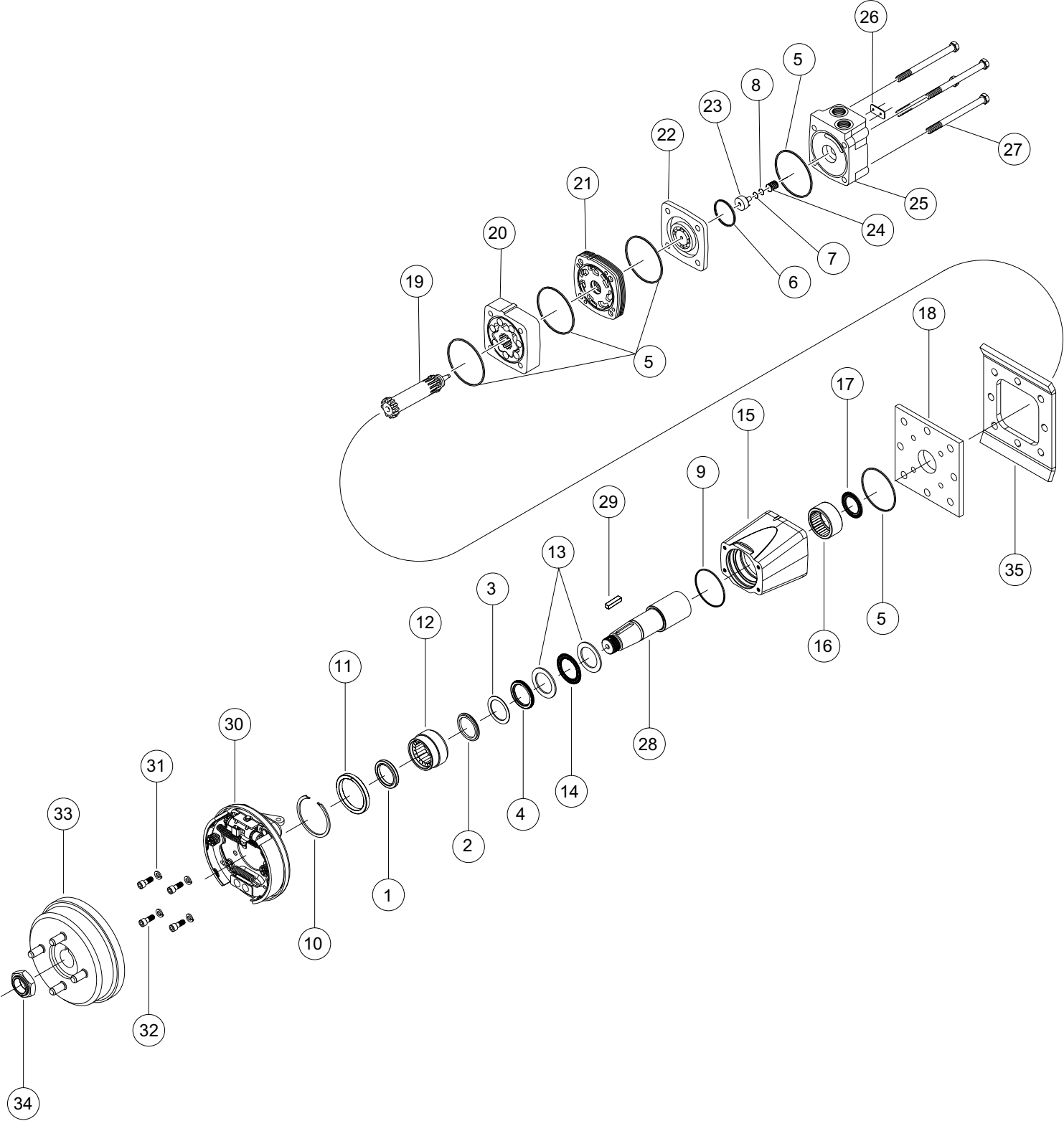


DESCRIPTION	EXP.VIEW ITEM #	KIT
RETAINING RING	10	700018013
BEARING SPACER	11	700018085
ROLLER BEARING	12	300018021
THRUST WASHER	13	300018002
THRUST WASHER	14	300018003
REAR HOUSING BEARING	16	500018003
REAR THRUST WASHER	17	300018107
MID MOUNT PLATE	18	300012016
MANIFOLD	21	300015008
COMMUTATOR ASSEMBLY	22	300012013
ENDCOVER PISTON	23	300018056
PISTON SPRING	24	300018059
BRAKE PLATE	30	300018105
BRAKE MOUNTING BOLTS	31	500180050
BRAKE MOUNTING WASHERS	32	500180045
BRAKE HUB 4" BOLT CIRCLE	33	300018106
WHEEL MOTOR BRACKET	35	65019W

DRIVEMOTOR KIT ITEM# 20	DRIVE LINK KIT ITEM#19	BOLT SET KIT ITEM#27
18 CID. MOTOR 300332018	300014027	300335018
24 CID. MOTOR 300332024	300014031	300335024

DESCRIPTION	EXP. VIEW ITEM #	KIT
DUST SEAL	1	
METAL BACKUP RING	1	
BACK UP SEAL	1	ITEMS # 1-10and11
SHAFT SEAL	1	INCLUDED IN
BODY SEALS (5)	1	SEAL KIT
COMMUTATOR SEAL	1	300333850
O-RING SEAL	1	
TEFLON BACKUP SEAL	1	
CARRIER SEAL	1	

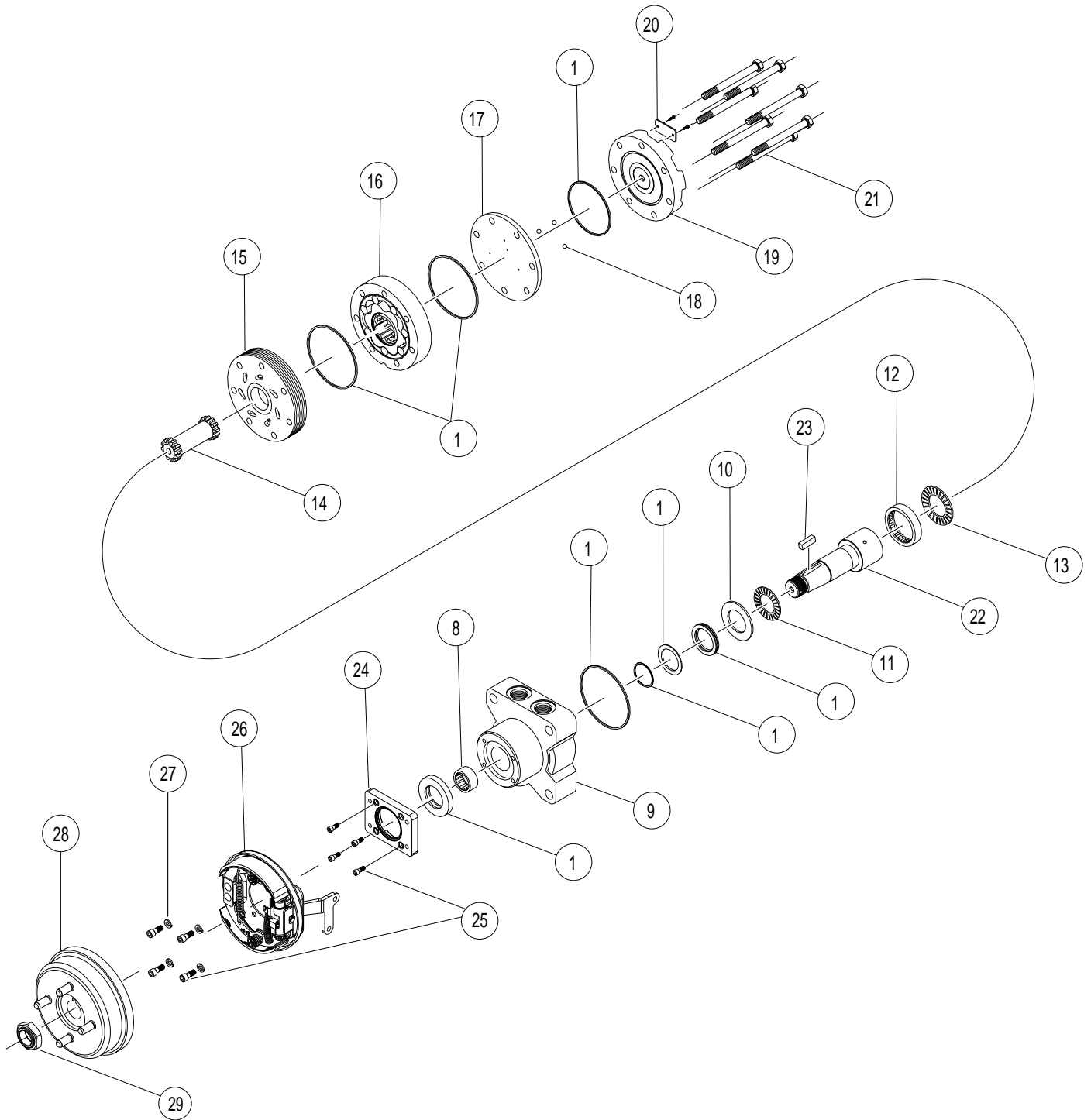
Please Note; **Items 1 through 11 are in the seal kit and at this time there are no plans to separate the parts out of the seal kit.**



DESCRIPTION	EXP. VIEW ITEM #	KIT
FRONT HOUSING BEARING	8	500018006
FRONT THRUST WASHER	10	500018253
FRONT THRUST BEARING	11	500018252
REAR HOUSING BEARING	12	500018002
REAR THRUST BEARING	13	500018246
Drive Link Kit	14	400140012
FORWARD MANIFOLD (CCW O R"0")	15	500015006
Standard Rotor Kit	16	500167004
BALANCE PLATE	17	500012001
STEEL BALLS (3)	18	500018048
ENDCOVER	19	500016001
Bolt Set Kit	21	500445012
Shaft Kit	22	400110043
Key Kit	23	500449106
BRAKE MOUNTING BLOCK	24	500018048
MOUNTING BOLTS (4)	25	500018050
BRAKE KIT (200035)	NOT SHOWN	500180047
BRAKE KIT (200034)	26	500180046
LOCK WASHERS	27	500180045
4 BOLT BRAKE HUB	28	500180008
Nut Kit	29	300339303

<b>SEAL KIT 400444300</b>		
DESCRIPTION	EXP. VIEW ITEM #	KIT
DUST SEAL	1	ITEMS # 1 INCLUDED IN SEAL KIT 400444300
REAR HOUSING SEAL	1	
METAL SHIM	1	
BACK-UP SEAL	1	
SHAFT SEAL	1	
BODY SEALS (2)	1	
ENDCOVER SEAL	1	
REAR HOUSING BEARING	1	
NOTE: REAR BEARING (#12) MUST BE REMOVED TO REPLACE SEAL KIT ITEMS (#3-5) OR FRONT THRUST BEARING AND WASHERS (#10-11). IT IS RECOMMENDED THAT A NEW REAR BEARING BE INSTALLED WHEN ASSEMBLING.		ITEMS # 1 SEAL KIT 400444300E <u>At this time there is no plan to separate the components.</u>





# ***DIXIE CHOPPER***

6302 E. County Road 100 North  
Coatesville, IN. 46121  
Phone 1-765-CHOPPER  
[www.dixiechopper.com](http://www.dixiechopper.com)

Dixie Chopper, Magic Circle, and the Magic Circle Atom Logo are all trademarks of Magic Circle Corporation and may not be reproduced without permission.

Printed In USA

Specifications and instructions subject to change without notice.

Print Date 10/03