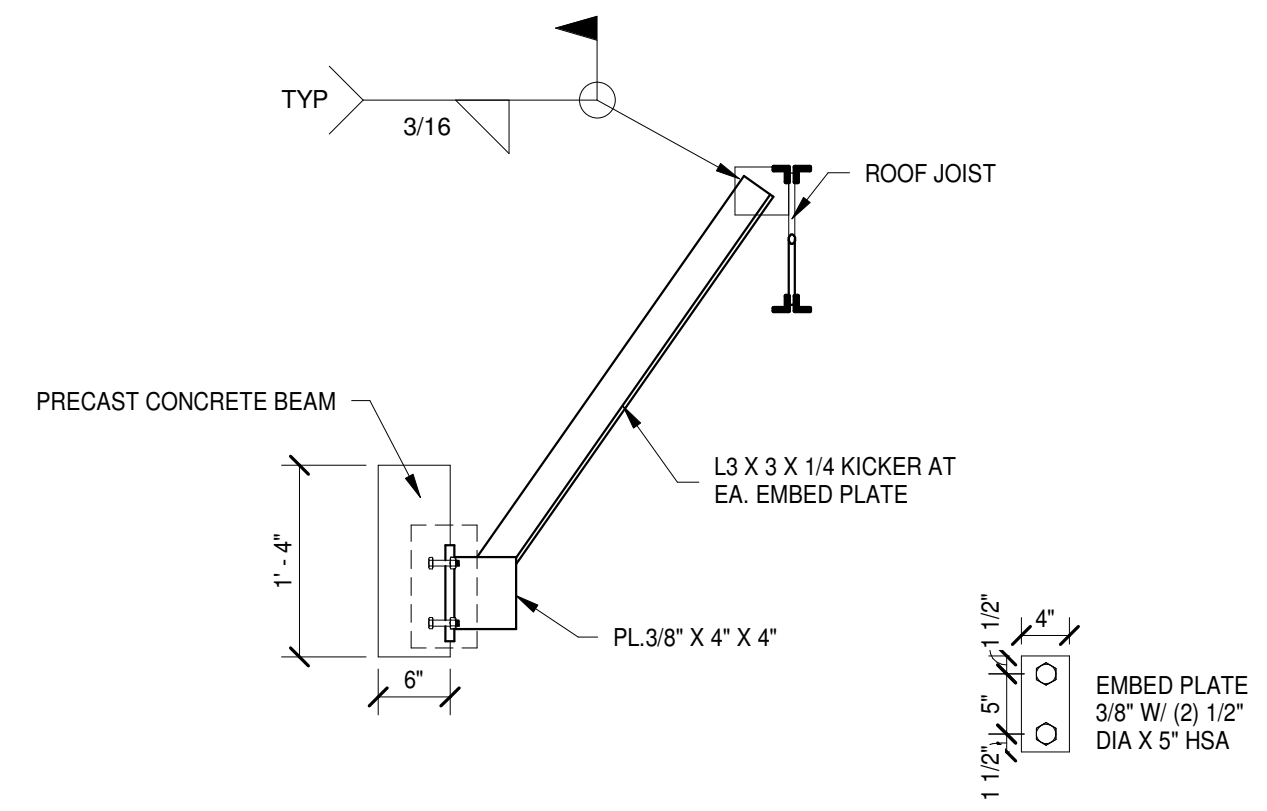
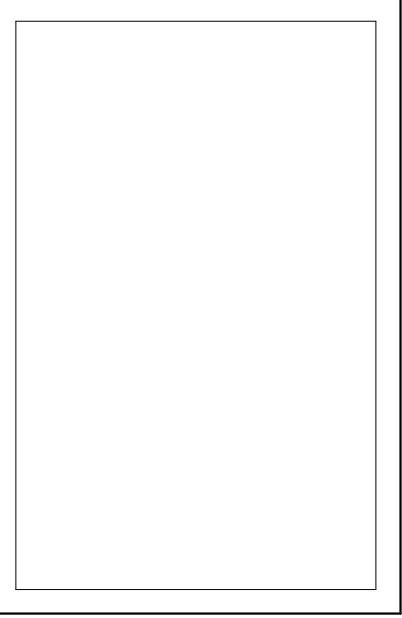


2 COLUMN DETAIL
S6.1 3/4" = 1'-0"



1 KICKER DETAIL
S6.1 3/4" = 1'-0"

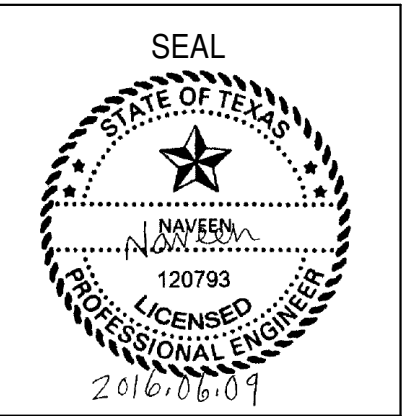
ROOF FRAMING SECTIONS AND DETAILS



PROJECT
RADHA KRISHNA TEMPLE
Owner
ALLEN TEXAS

JOB NUMBER
16DLS003
ISSUE DATE
04-22-2016
DRAWN BY
SDB
DESIGNED BY
NAV

REVISIONS



SHEET NUMBER
S6.1