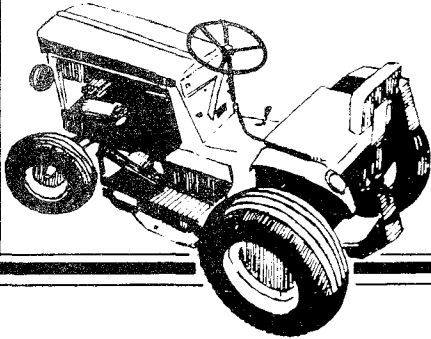


BUSH HOG
INCORPORATED



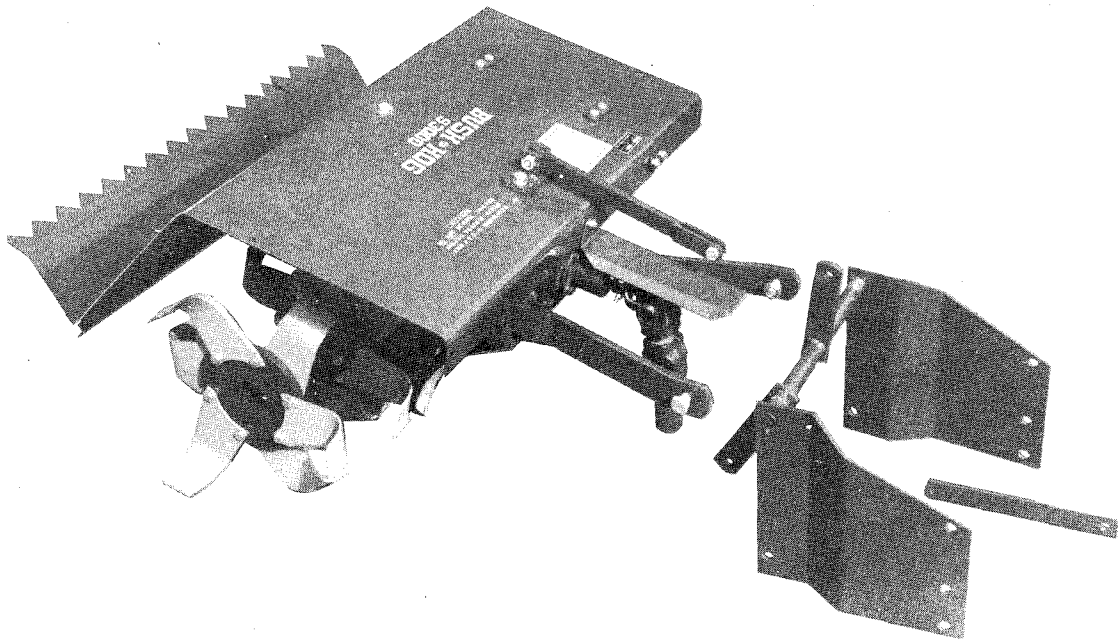
OWNER'S INSTRUCTIONS

S3000

**HEAVY
DUTY
TILLER**

SHAW MANUFACTURING COMPANY - GALESBURG, KANSAS 66740
Division of Bush Hog, Inc. - Selma, Alabama 36701

668



CONTROLS

There are two controls for operating the Tiller:

1. The Tractor Power Take Off Lever for engaging and disengaging the Tiller Rotor.
2. The Tractor Lift Lever for raising and lowering the Unit.

OPERATION

When tilling, the tractor should be operated in the low speed range, low gear, with engine at full throttle to assure maximum power.

The Tiller Depth Shoe is primarily for cultivating use. For tilling, the Shoe should be removed so that it will not resist the Tine penetration.

The performance of this tiller will be determined largely by the ground conditions and forward travel speed. If desired depth cannot be obtained in the first pass, additional passes will be necessary. **Do not use Tine Extensions when attempting deep penetration or when tilling heavy soils.**

Do not attempt to start Tiller with Tiller in ground. Raise unit to highest position at the end of each pass before turning around. When transporting Tiller, disengage tractor P.T.O. and raise unit to highest position.

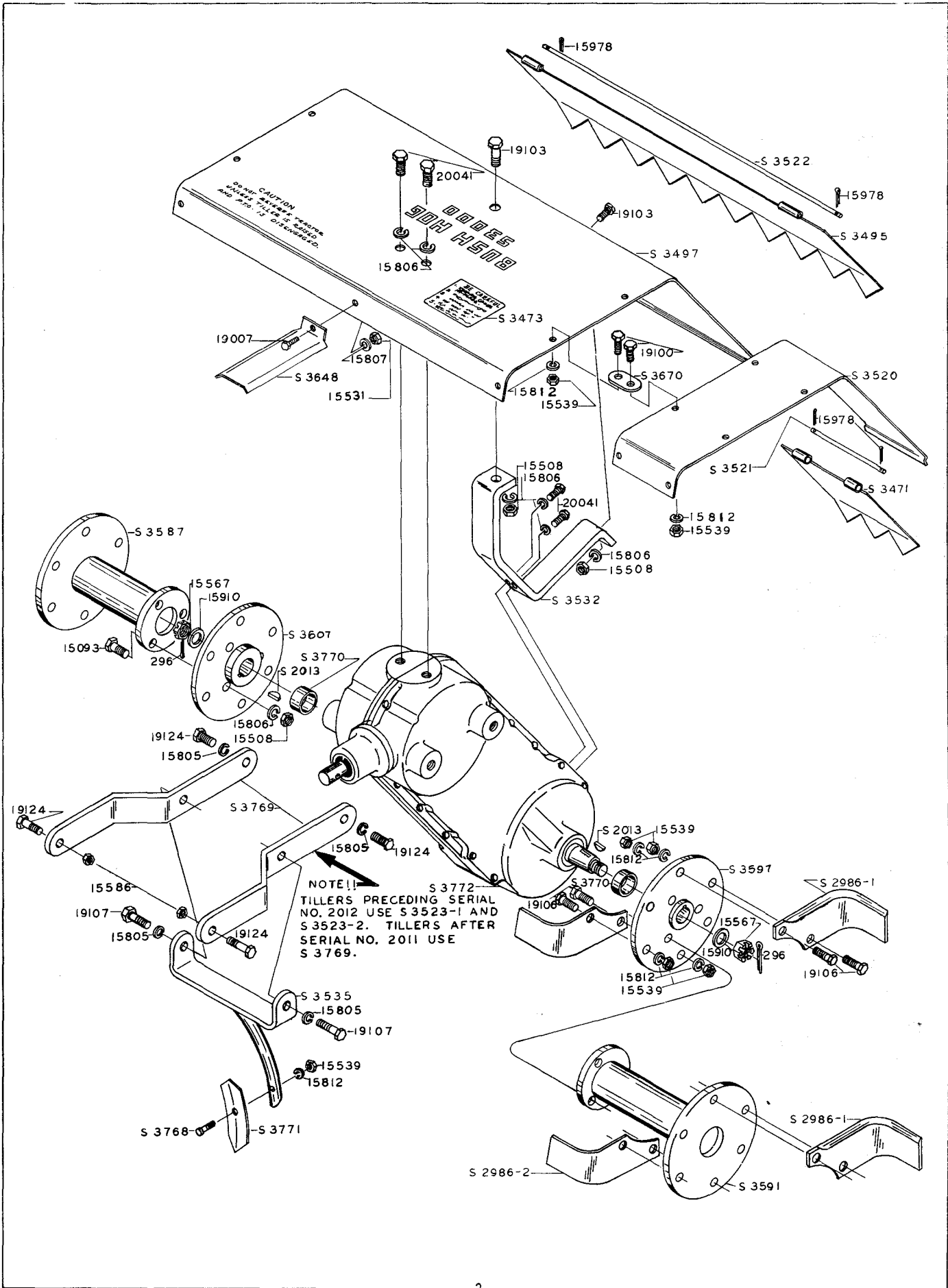
LUBRICATION

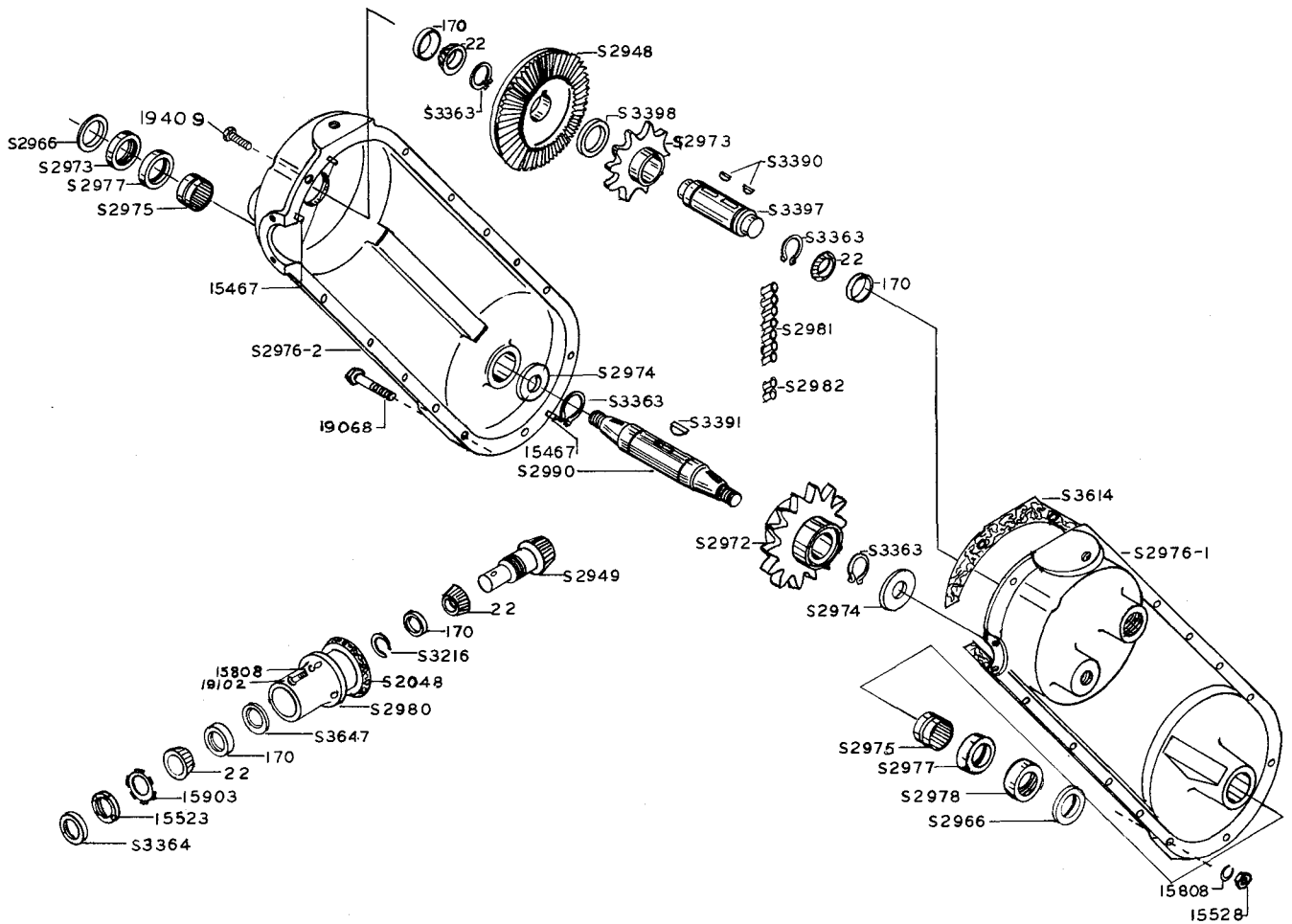
There are two oil hole plugs in the Gear Case. Raise Tiller to maximum height (Be sure engine is not running). Raise Leveling Board and on right half of Gear Case near bottom note that the top plug is for filling or check plug, and the bottom is a drain plug. The Tiller is filled with No. 90 Gear Lubricant at the factory. This should be checked every 50 hours of operation preferably after Tiller has set 15 to 20 minutes and add lubricant as necessary to maintain proper level. The Drive Shaft Assembly has a grease fitting on each universal joint. Lubricate fitting every 8 hours of operation.

Inspect Tiller at regular intervals. If any oil leakage is noted, check oil lever immediately. Inspect Oil Seals for wear and replace if necessary.

S3000 Tiller - Parts List

Part No.	Description	Qty	Part No.	Description	Qty.
296	Cotter Pin 1/8 x 1 1/2	2	S3770	Rubber Spacer	2
S2913	Woodruff Key No. 18	2	S3771	Shovel	1
S2986 - 1	Tiller Tine L. H.	12	S3772	Tiller Gear Case Assembly	1
S2986 - 2	Tiller Tine R. H.	12	15093	Capscrew 1/2 - 13 x 1 1/2	6
S3471	Leveling Board Extension Weld.	1	15508	Nut Hex 1/2 - 13	2
S3473	Decal - Be Careful	1	15531	Nut Hex 1/4 - 20	1
S3495	Leveling Board Weldment	1	15567	Slotted Nut 3/4 - 16	2
S3497	Cover Welded Assembly	1	15586	Locknut 5/8 - 11	2
S3520	Extension Cover Welded Assy.	1	15805	Lockwasher 5/8	4
S3521	Extension Pin	1	15806	Lockwasher 1/2	6
S3522	Cover Hinge Pin	1	15807	Lockwasher 1/4	1
S3532	Cover Stabilizer	1	15812	Lockwasher 3/8	35
S3535	Shoe Support Weldment	1	15910	Flatwasher 3/4	2
S3587	Drive Plate Welded Assy. R.H.	1	15978	Cotter Pin 3/32 x 3/4	4
S3591	Drive Plate Welded Assy. L.H.	1	19100	Capscrew 3/8 - 16 x 3/4	10
S3597	Hub L.H.	1	19103	Capscrew 1/2 - 13 x 1 1/4	2
S3607	Hub R.H.	1	19106	Capscrew 3/8 - 16 x 1 1/2	24
S3648	Drive Shaft Shield	1	19107	Capscrew 5/8 - 11 x 2	2
S3670	Connector	5	19124	Capscrew 5/8 - 11 x 1 1/2	4
S3768	Bolt, Shovel 3/8 - 16 x 1 1/2	1	20041	Capscrew 1/2 - 13 x 1	4
S3769	Attachment Arm	2	15539	Hex Nut 3/8 - 16	35

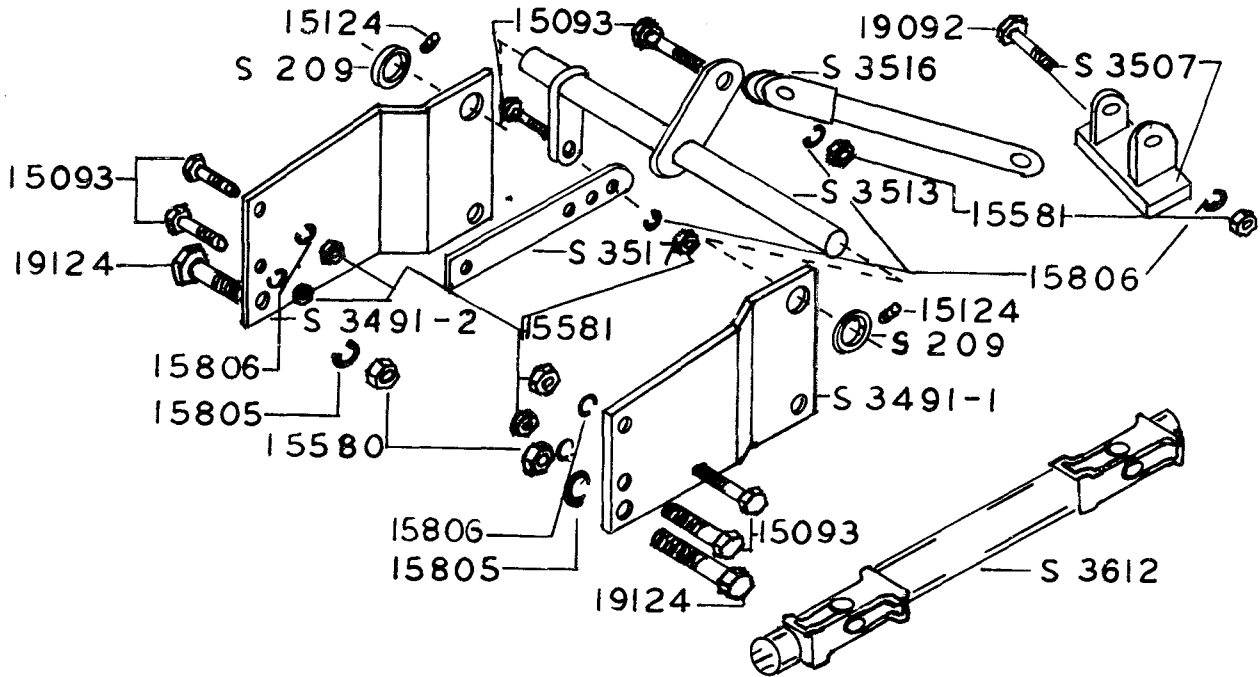




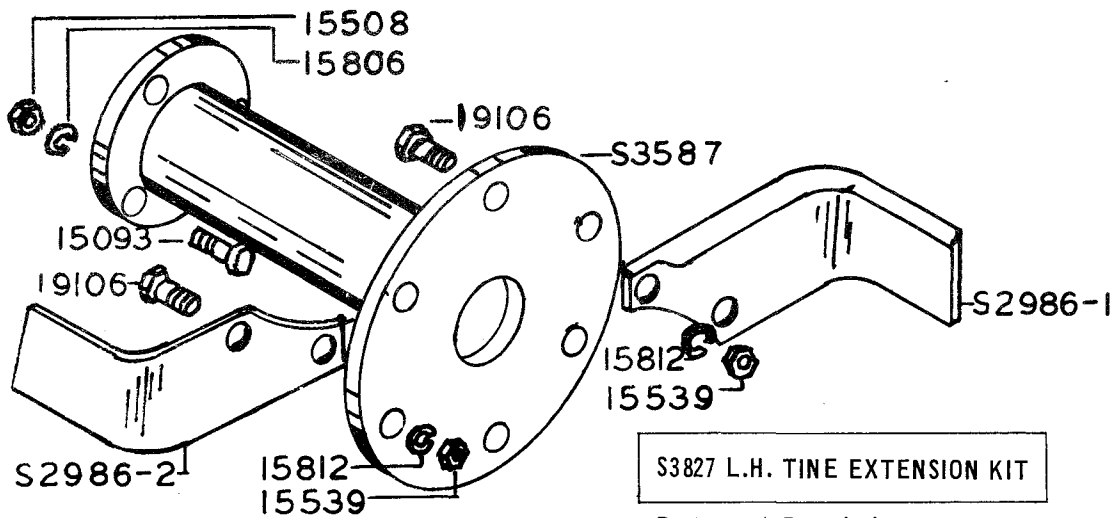
CASE ASSEMBLY FOR S3000 TILLER PARTS LIST

Part No.	Description	Qty.	Part No.	Description	Qty.
S2048	Pinion Housing Gasket	1	S3363	Snap Ring	4
S2948	Bevel Gear	1	S3390	Woodruff Key 5/16 x 1	2
S2949	Bevel Pinion	1	S3391	Woodruff Key 5/16 x 1 1/2	1
S2966	Dust Shield	2	S3397	Cross Shaft	1
S2972	Sprocket	1	S3398	Spacer	1
S2973	Sprocket	1	S3614	Gasket	1
S2974	Thrustwasher	2	S3647	Pinion Spacer	1
S2975	Needle Bearing	2	22	Bearing Cone	4
S2976-1	Case Half	1	170	Bearing Cup	4
S2976-2	Case Half	1	15467	Roll Pin 1/4 x 3/4	3
S2977	Seal	2	15523	Nut	1
S2978	Seal	2	15528	Nut 5/16 - 18 UNC	13
S2980	Pinion Housing	1	15808	Lockwasher 5/16	16
S2981	Chain	1	15903	Lockwasher	1
S2982	Master Link	1	19049	Capscrew 5/16 - 18 UNC x 1 3/4	4
S2990	Main Drive Shaft	1	19068	Capscrew 5/16 - 18 UNC x 2 1/2	9
S3216	Snap Ring	1	19102	Capscrew 5/16 - 18 UNC x 1	3

HD-12 MOUNTING FOR
S3000 TILLER



Part No.	Description	Qty.
S209	Setcollar	2
S3491-1	Mount Plate L.H.	1
S3491-2	Mount Plate R.H.	1
S3507	Lift Bracket Welded Assy.	1
S3513	Pivot Rod Welded Assy.	1
S3516	Lift Bar Welded Assy.	1
S3517	Cylinder Extension	1
S3612	Drive Shaft Assy.	1
15124	Setscrew 3/8 - 16	2
15093	Capscrew 1/2 - 13 x 1 1/2	6
19102	Capscrew 1/2 - 13 x, 2	1
19124	Capscrew 5/8 - 11 x 1 1/2	2
15581	Hex Nut 1/2 - 13	7
15580	Hex Nut 5/8 - 11	2
15806	Lockwashers 1/2	7
15805	Lockwashers 5/8	2

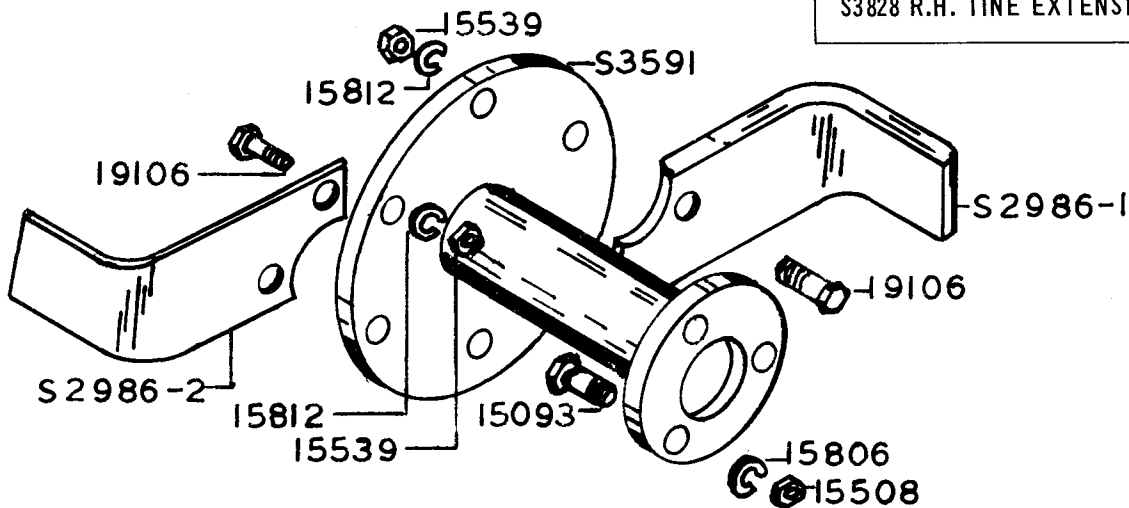


S3827 L.H. TINE EXTENSION KIT

The extensions on this page may be ordered for either end of Tiller. It is recommended **only** for cultivating well tilled ground. It is not recommended that extensions be added to both ends of Tiller at one time. Also if extension is added a maximum of 3" in depth is recommended.

Note: Each Kit includes: (1) S3520 Cover Extension, (5) S3670 Connector, (1) S3521 Hinge Pin, (1) S3471 Leveling Board Extension, (2) 15978 Cotter Pin, (10) 19100 Capscrew, (10) 15812 Lockwasher, (10) 15539 Hex Nut.

Part No.	Description	Qty.
S2986-1	Tiller Tine L.H.	3
S2986-2	Tiller Tine R.H.	3
S3587	Drive Plate Welded Assy.	1
15093	Capscrew 1/2 - 13 UNC x 1 1/2	3
15508	Nut 1/2 - 13 UNC	3
15539	Nut 3/8 - 16 UNC	6
15806	Lockwasher 1/2	3
15812	Lockwasher 3/8	6
19106	Capscrew 3/8 - 16 UNC x 1 1/2	6



S3828 R.H. TINE EXTENSION KIT

Part No.	Description	Qty.	Part No.	Description	Qty.
S2986-1	Tiller Tine L.H.	3	15539	Nut 3/8 - 16 UNC	6
S2986-2	Tiller Tine R.H.	3	15806	Lockwasher 1/2	3
S3591	Drive Plate Welded Assy. R.H.	1	15812	Lockwasher 3/8	6
15093	Capscrew 1/2 - 13 UNC x 1 1/2	3	19106	Capscrew 3/8 - 16 UNC x 1 1/2	6
15508	Nut 1/2 - 13 UNC	3			