

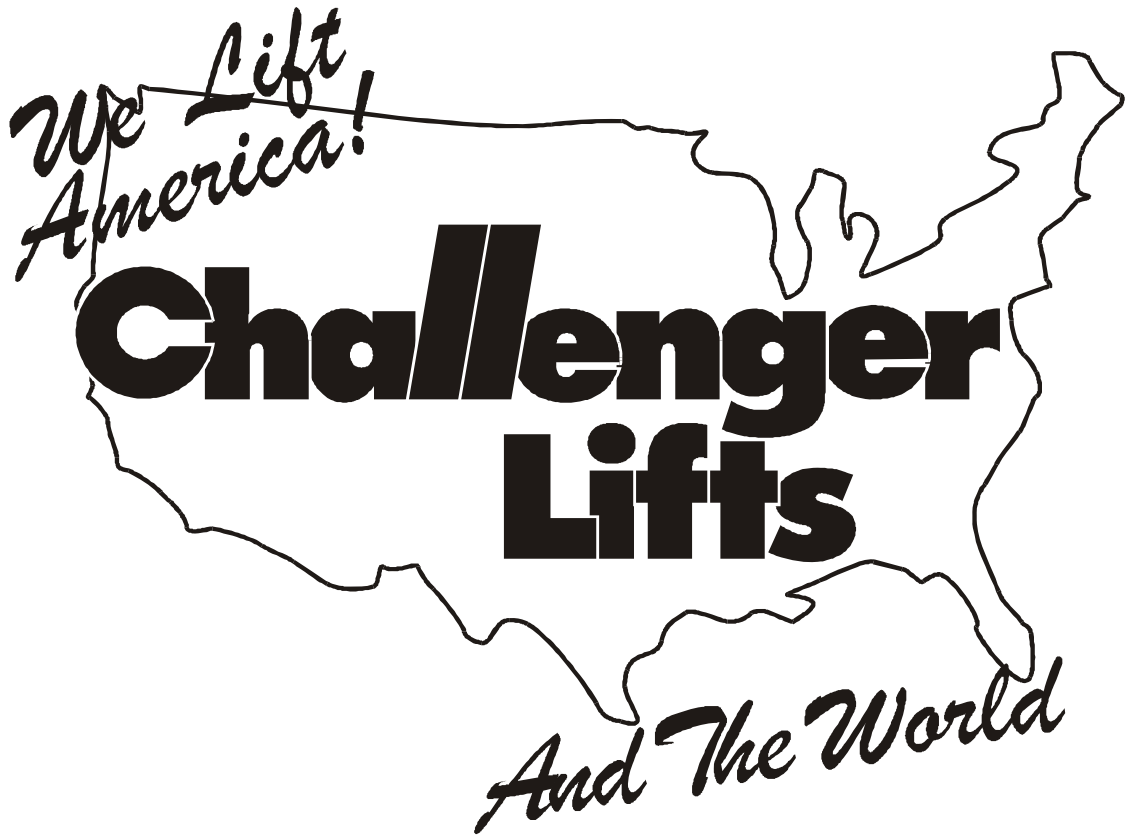
Challenger Lifts, Inc.

MODEL 12000

TWO POST SURFACE MOUNTED LIFT

OPERATION, INSTALLATION & MAINTENANCE

MANUAL



IMPORTANT

**READ THIS MANUAL COMPLETELY BEFORE INSTALLING OR
OPERATING THE LIFT**

200 CABEL STREET, P.O. BOX 3944
LOUISVILLE, KENTUCKY 40201-3944

OFFICE (502) 625-0700

FAX (502) 587-1933

Model 12000

Installation, Operation and Maintenance

General Specifications

Maximum Capacity*	12000 US Pounds (3000 Pounds Per Arm)
Lifting Time**	Approximately 1 Minute
Lowering Time**	Approximately 45 Seconds
Motor	2HP, 230 Volts, Single Phase, 60 Hz.
	Optional-2HP, 208 or 240 or 480 Volt, 3 Phase, 50/60 Hz.

Dimensions

Overall Width	142 Inches
Overall Height	164 Inches (12000)
	176 Inches (12001)
	188 Inches (12002)
Height at Full Rise	85 1/4 Inches
Overhead Clearance	157 Inches (12000)
	169 Inches (12001)
	181 Inches (12002)
Drive Through Clearance	104 1/4 Inches
Pick-Up Pad Height	5 1/4 Inches to 13 1/4 Inches

* Lift capacity ratings are based on loads equally distributed on all four arms.

** Lifting and lowering speeds may vary depending on the type and viscosity of the oil in the system and the temperature of the oil.

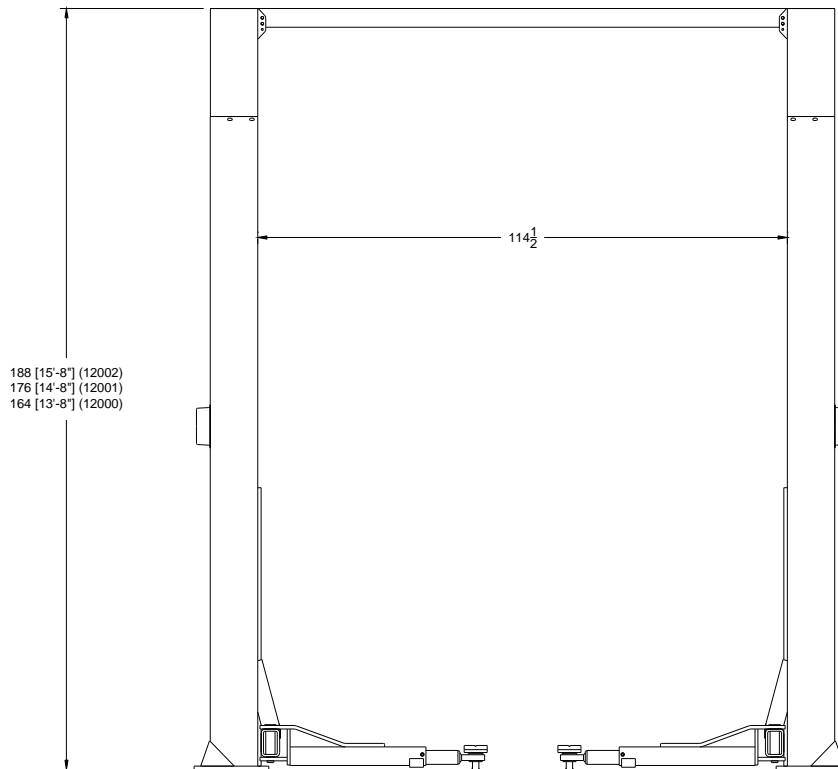


Figure 1

Model 12000
Installation, Operation and Maintenance

Component Packing List

PART #	#/LIFT	DESCRIPTION
12505	1	POWER COLUMN ASSY
12506	1	IDLER COLUMN ASSY
12507	1	OVERHEAD PACK
12508	1	HARDWARE BOX
12503	1	ARM PACK
12502	2	COLUMN EXTENSION PACK
12542	1	OVERHEAD SHUTOFF BAR ASSY
12045	1	MERCURY SWITCH
12531	2	SYNCHRONIZER CABLE ASSY
12574	2	CABLE EXTENSION (12001)
12574	4	CABLE EXTENSION (12002)
12561	2	ADAPTER EXTENSION (6")
12562	4	ADAPTER EXTENSION (3")
12567	2	ADAPTER RACK
31052	4	ARM RESTRAINT ASSEMBLY
31368	1	POWER UNIT - SINGLE PHASE
31355		POWER UNIT - THREE PHASE
12581	1	LITERATURE PACK

Important!

Before You Install

1. Before installing your Challenger 2-Post lift, read the manual(s) thoroughly. Inspect the lift to insure that it is complete and undamaged. Challenger 2-Post lifts are shipped ready to assemble to facilitate shipping and reduce damage. If it is apparent that the lift has been mishandled in shipment, or if parts or assemblies are missing, note the damage or missing part(s) on the shipping papers and notify Challenger Lifts, Inc. Immediately.
2. Be certain that the wiring in your building will handle the current required to operate this unit (Fig 9).
3. Check with the local building inspectors and/ or Permits office for any special instructions or approvals required for your installation.

Model 12000

Installation, Operation and Maintenance

VERTICAL CLEARANCE

Check the height of the area where the lift is to be installed. Clearance should be calculated based on the full raised height of the lift.



Failure by purchaser to provide adequate clearance could result in unsatisfactory lift performance, property damage, or personal injury.

FLOORING

Be certain you have the proper concrete floor to properly handle the loaded lift. Floor should be in generally good condition with no large cracks, spalling or deterioration.

Minimum requirements for concrete are 4 inches minimum depth, with steel reinforcement, 3500 psi, cured for 28 days per local commercial practice. Floor should be level within 3/8 inch over the installation area. No anchors should be installed within 8 inches of any crack, edge, or expansion joint. If these conditions cannot be met, a pad may be poured to accommodate the lift.

Check with local building inspectors and/or permits office for any special instructions or approvals required for your installation.



Failure by purchaser to provide the recommended mounting surface could result in unsatisfactory lift performance, property damage, or personal injury.

LOCATION

This lift has been evaluated for indoor use only with an operating ambient temp. range of 5 – 40°C (41– 104°F)

ELECTRICAL REQUIREMENTS

For lift installation and operation for single phase units, it is necessary to have a dedicated circuit with a double pole 25 amp circuit breaker or time delay fuse.

SAFETY NOTICES AND DECALS

For your safety, and the safety of others, read and understand all of the safety notices and decals included here.

READ ENTIRE MANUAL BEFORE ASSEMBLING, INSTALLING, OPERATING, OR SERVICING THIS EQUIPMENT.

PROPER MAINTENANCE AND INSPECTION IS NECESSARY FOR SAFE OPERATION.

DO NOT OPERATE A DAMAGED LIFT.

Safety decals similar to those shown here are found on a properly installed lift. Be sure that all safety decals have been correctly installed on the Power Unit reservoir. Verify that all authorized operators know the location of these decals and fully understand their meaning. Replace worn, faded, or damaged decals promptly.



Do not attempt to raise a vehicle on the lift until the lift has been correctly installed and adjusted as described in this manual.

 SAFETY INSTRUCTIONS Read operating and safety manuals before using lift.	 SAFETY INSTRUCTIONS Proper maintenance and inspection is necessary for safe operation.
 SAFETY INSTRUCTIONS Do not operate a damaged lift.	The messages and pictographs shown are generic in nature and are meant to generally represent hazards common to all automotive lifts regardless of specific style. Funding for the development and validation of these labels was provided by the Automotive Lift Institute, PO Box 33116 Indianapolis, FL 32903 They are protected by copyright. Set of labels may be obtained from ALI or its member companies. © 1992 by ALI, Inc. ALI/WLS/IAO

SAFETY INSTRUCTIONS
 If attachments, accessories or configuration modifying components that are located in the load path, affect operation of the lift, affect the lift electrical listing or affect intended vehicle accommodation are used on this lift and if they are not certified for use on this lift, then the certification of this lift shall become null and void. Contact the participant for information pertaining to certified attachments, accessories or configuration modifying components.
 www.autolift.org ©2007 by ALI, Inc. ALI / WLS/IAO

 CAUTION Lift to be used by trained operator only.	 CAUTION Authorized personnel only in lift area.	 WARNING Clear area if vehicle is in danger of falling.	 WARNING Position vehicle with center of gravity midway between adapters.
 CAUTION Use vehicle manufacturer's lift points.	 CAUTION Always use safety stands when removing or installing heavy components.	 WARNING Remain clear of lift when raising or lowering vehicle.	 WARNING Avoid excessive rocking of vehicle while on lift.
 CAUTION Use height extenders when necessary to ensure good contact.	 CAUTION Auxiliary adapters may reduce load capacity.	 WARNING Do not override self-closing lift controls.	 WARNING Keep feet clear of lift while lowering.
The messages and pictographs shown are generic in nature and are meant to generally represent hazards common to all automotive lifts regardless of specific style. Funding for the development and validation of these labels was provided by the Automotive Lift Institute, PO Box 33116 Indianapolis, FL 32903. They are protected by copyright. Set of labels may be obtained from ALI or its member companies. © 1992 by ALI, Inc. ALI/WLS/IAO		The messages and pictographs shown are generic in nature and are meant to generally represent hazards common to all automotive lifts regardless of specific style. Funding for the development and validation of these labels was provided by the Automotive Lift Institute, PO Box 33116 Indianapolis, FL 32903. They are protected by copyright. Set of labels may be obtained from ALI or its member companies. © 1992 by ALI, Inc. ALI/WLS/IAO	

Model 12000
Installation, Operation and Maintenance

Installation Procedure

1. Break down the packaging with the columns by supporting the upper column and using a 3/4" wrench, remove the bolts at the top and bottom of the column. Carefully remove the top cap.
2. Layout the service bay according to the architect's plans or owner's instructions (see Fig 2). Be certain that the proper conditions exist per the section entitled ABefore You Install.

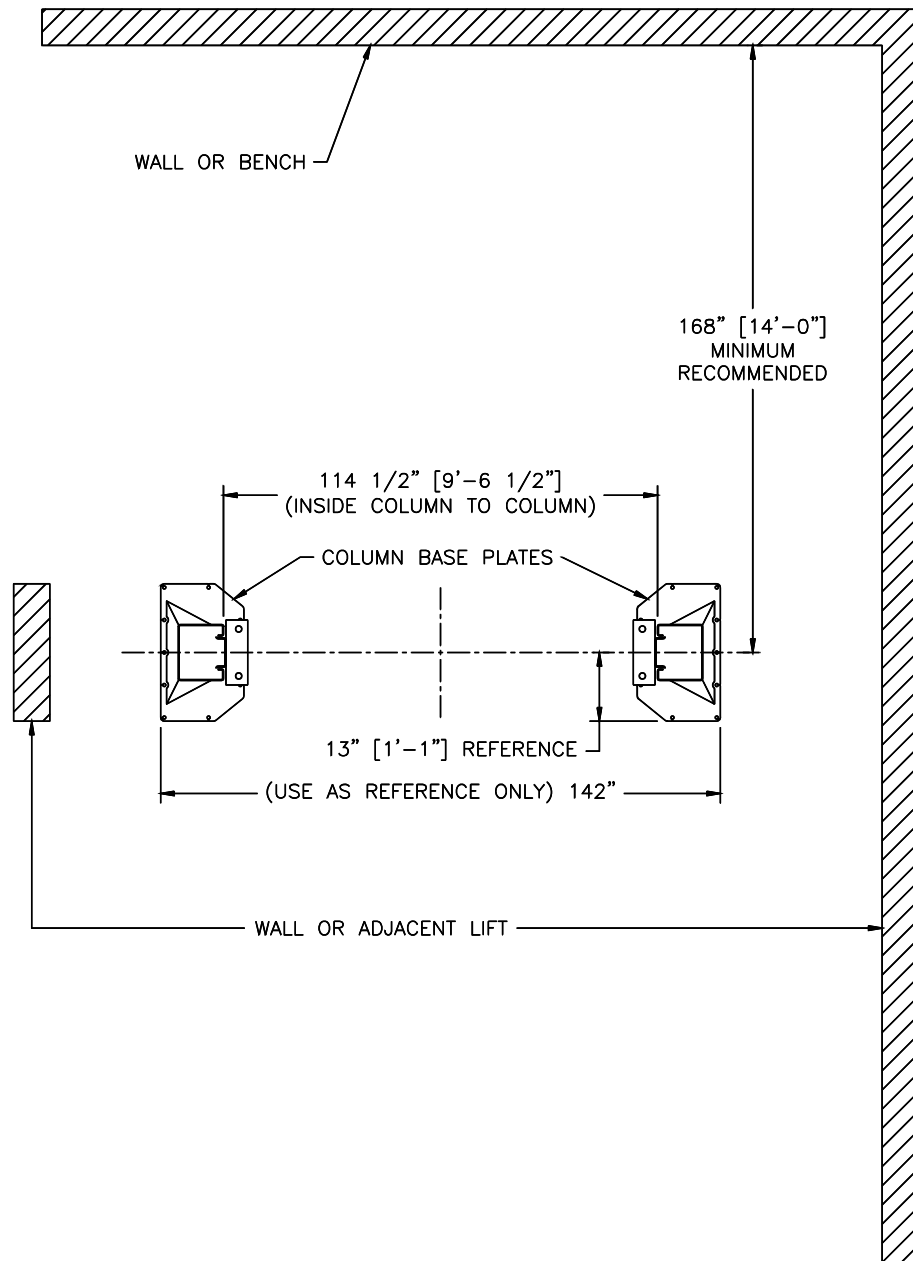


Figure 2

Model 12000
Installation, Operation and Maintenance

3. Assemble a column extension to each column using 3/8 x 1 bolts, flat washers, lock washers, and nuts.
4. Erect both column assemblies. Align the columns with the installation lines and drill the holes for the anchors using the base plate as a template. Clean the dust from the holes. Obtain the anchor bolts from the hardware box and assemble the nut and washer to the bolt, leaving about 1/4" of thread above the nut. Insert the anchors into each hole as it is drilled and tap it down to the base plate. If the floor is excessively uneven, you may wish to leave more thread exposed.
5. Shim both columns to plumb using the shims provided (Fig. 3). Do not shim more than 2" at any point. Use a level no less than 24" in length to plumb the columns.

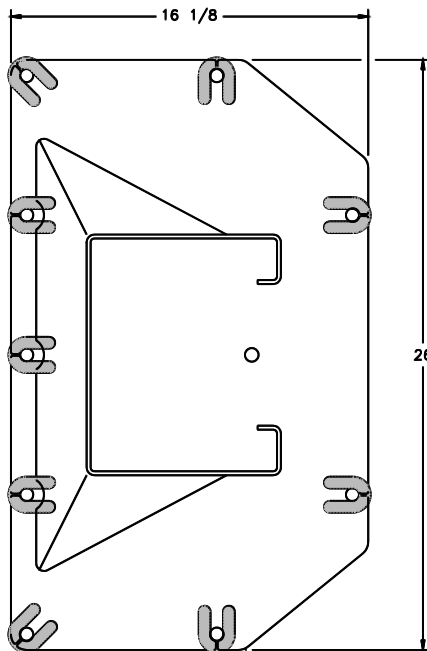


Figure 3

6. Back the nuts on the anchors up until the threads are flush with the top of the nut and tap them down against the base plate. Using a torque wrench, tighten the anchors to 150 ft-lbs to set the anchors. Check the columns for plumb after torquing the bolts and adjust by shimming if necessary.
7. Lift the overhead up into position and install with 3/8 x 1 bolts, flat washers, lock washers, and nuts.
8. Place the mercury switch inside the switch tube by folding the pigtail along side the switch housing and placing the cord end of the switch into the tube. Then attach the tube to the bracket on the power column side using the 3/8 x 1 1/2 shoulder bolt, 5/16 dia. washer and 5/16-18 Keps nut. Obtain the 1 3/8" snap bushing from the hardware box and place it into the hole in the top of the column to protect the wires. Run the free end of the wire up through the snap bushing.

Model 12000
Installation, Operation and Maintenance

9. Take the shutoff bar to the idler column side and first insert the end of the bar into the open end of the switch tube, then attach the other end to the bracket on the idler side of the overhead using the 3/8 x 1 □ shoulder bolt, 5/16 dia. washer and 5/16-18 Keps nut.
10. Install the locking pawl, actuator and spring (Fig. 4). Adjust air cylinder clevis to retract lock against inside back of column when air cylinder is fully extended. Tighten air cylinder clevis jam nut against clevis.

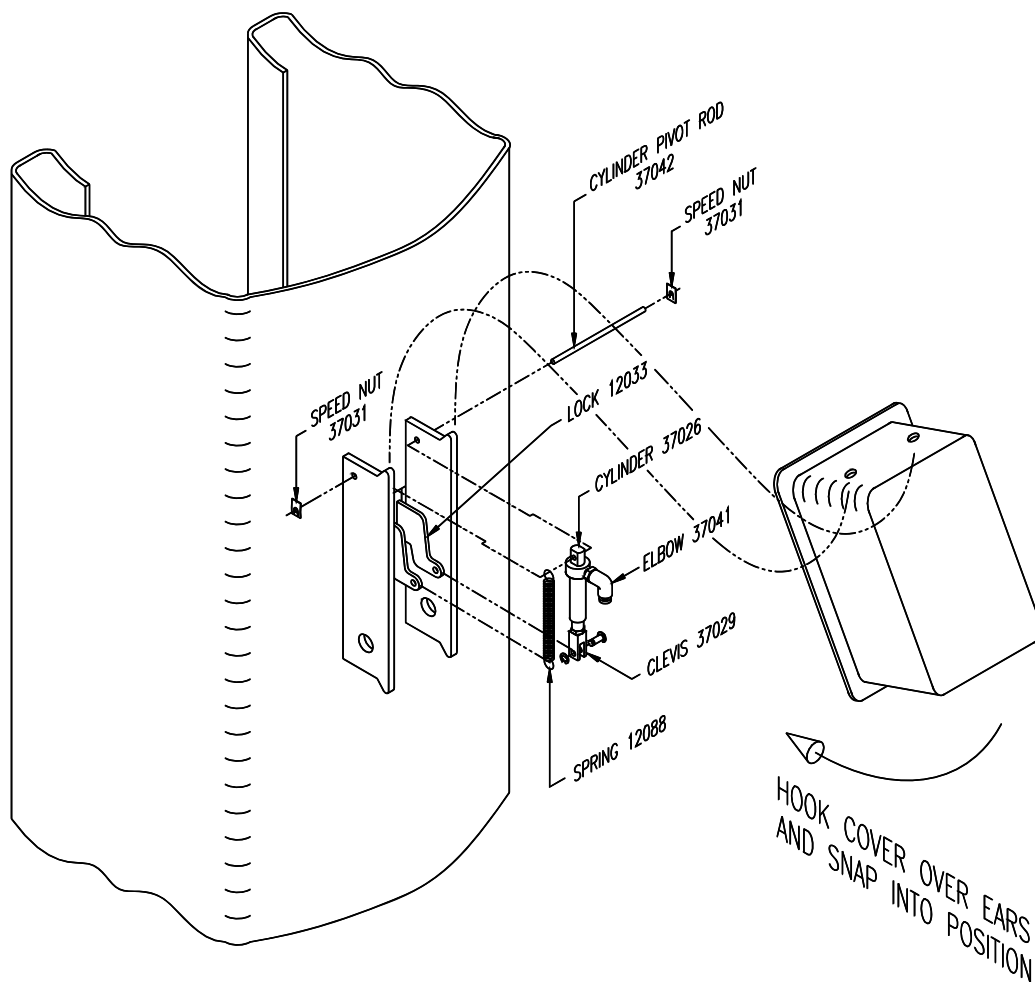


Figure 4

Model 12000

Installation, Operation and Maintenance

11. At each sheave location disassemble and reassemble the cable trapping bolt to install the cable onto the sheave.

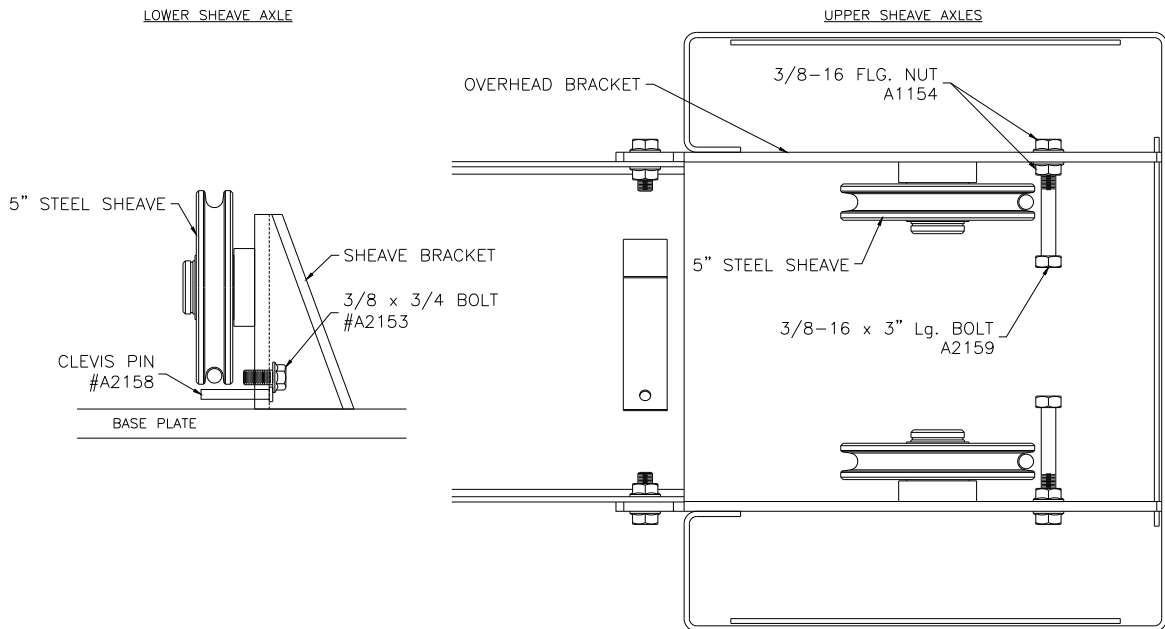


Figure 5

12. Manually raise the carriages to a comfortable working height and set in locks at equal heights. Route the synchronizer cables (Fig. 6). For Models 12001 & 12002 (extended height models) cable extensions are required. Install one extension inside each carriage for both models and an additional extension on top of each carriage for Model 12002. Install one jam nut to cable end before threading cable end 1 inch minimum into extension. Lock all cable extensions to cable ends using the jam nut.

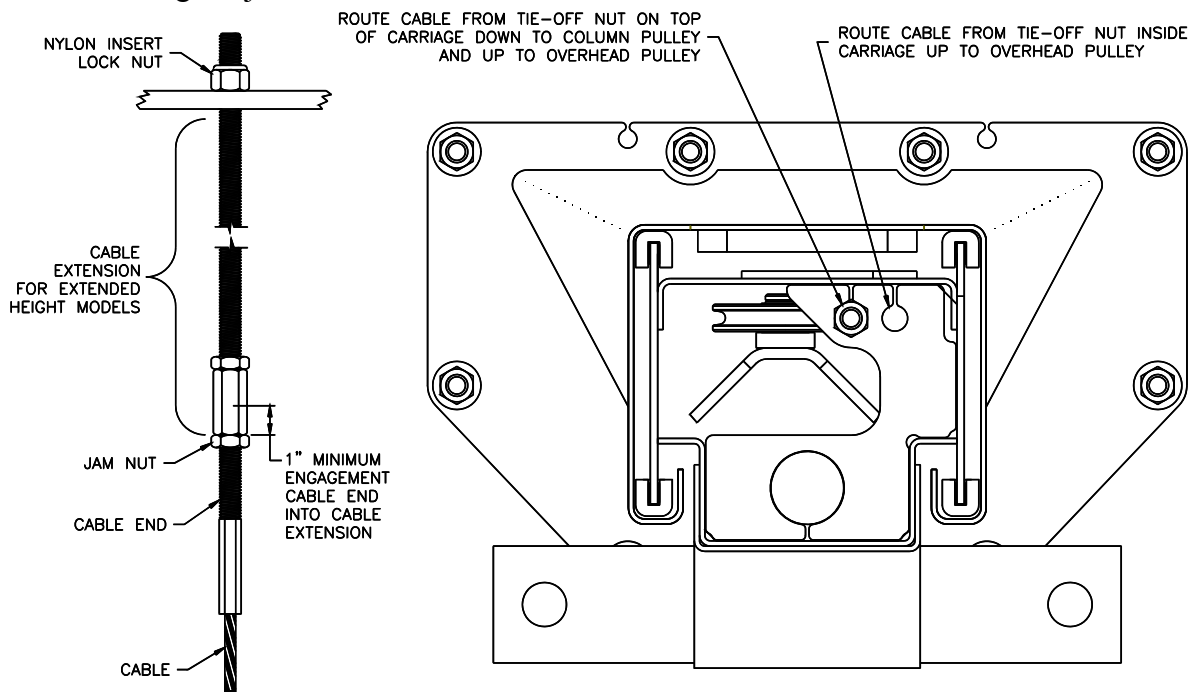


Figure 6

Model 12000
Installation, Operation and Maintenance

13. Install the power unit and button valve bracket assembly on the power column (Fig 7).

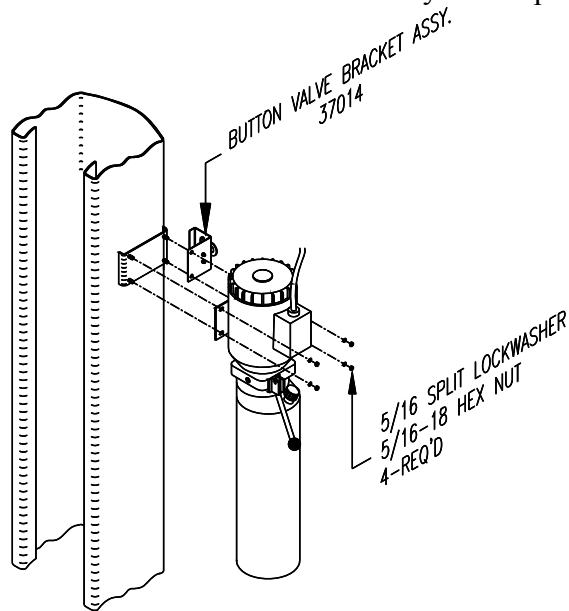


Figure 7

14. Connect the extension hydraulic lines to the cylinder lines in each column using a straight union on the idler side and a tee on the power side. Install the overhead line with the longer leg on the idler side. Install the power unit line to the tee in the power column and to the power unit outlet port. Adjust the tab in the overhead (Fig. 8). Make sure the cables clear during operation.

HYDRAULIC LINE SUPPORT TABS MUST BE FIELD ADJUSTED TO SUPPORT WEIGHT OF VERTICAL HYDRAULIC LINES

AFTER CONNECTING ALL HYDRAULIC LINES TOGETHER, BEND TAB TO PROPER POSITION AND INSTALL HYDRAULIC LINE CLAMPS

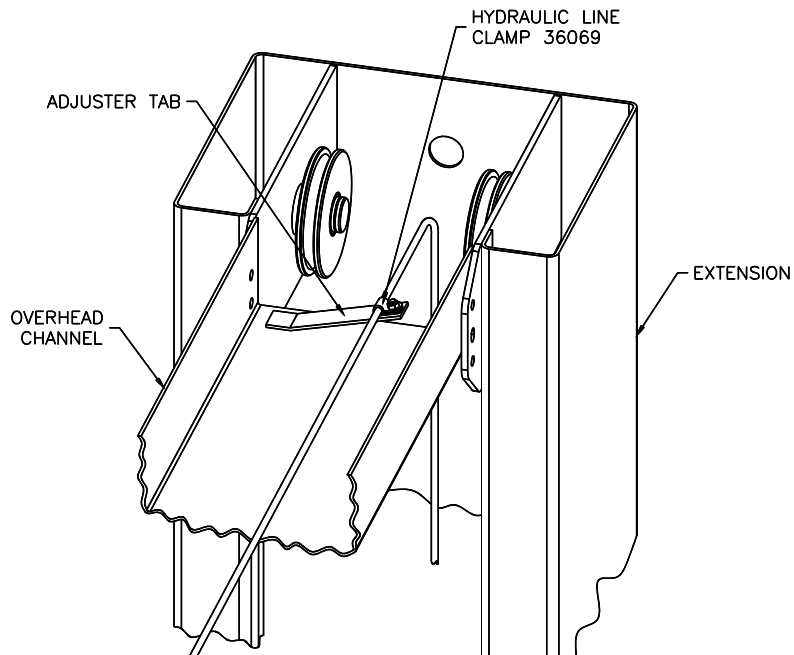


Figure 8

Model 12000
Installation, Operation and Maintenance

15. **BE CERTAIN ALL FITTINGS AND CONNECTIONS ARE TIGHT.** Fill the power unit with three (3) gallons of #10 weight hydraulic oil or Dexron III. **DO NOT USE OILS WITH DETERGENTS.**
16. Route the 1/8" air line (Fig. 9). Be certain not to kink or pinch the hose. Connect the button valve to a source of **clean, dry air** using the hose barb and clamp provided. Snap the covers onto the column.

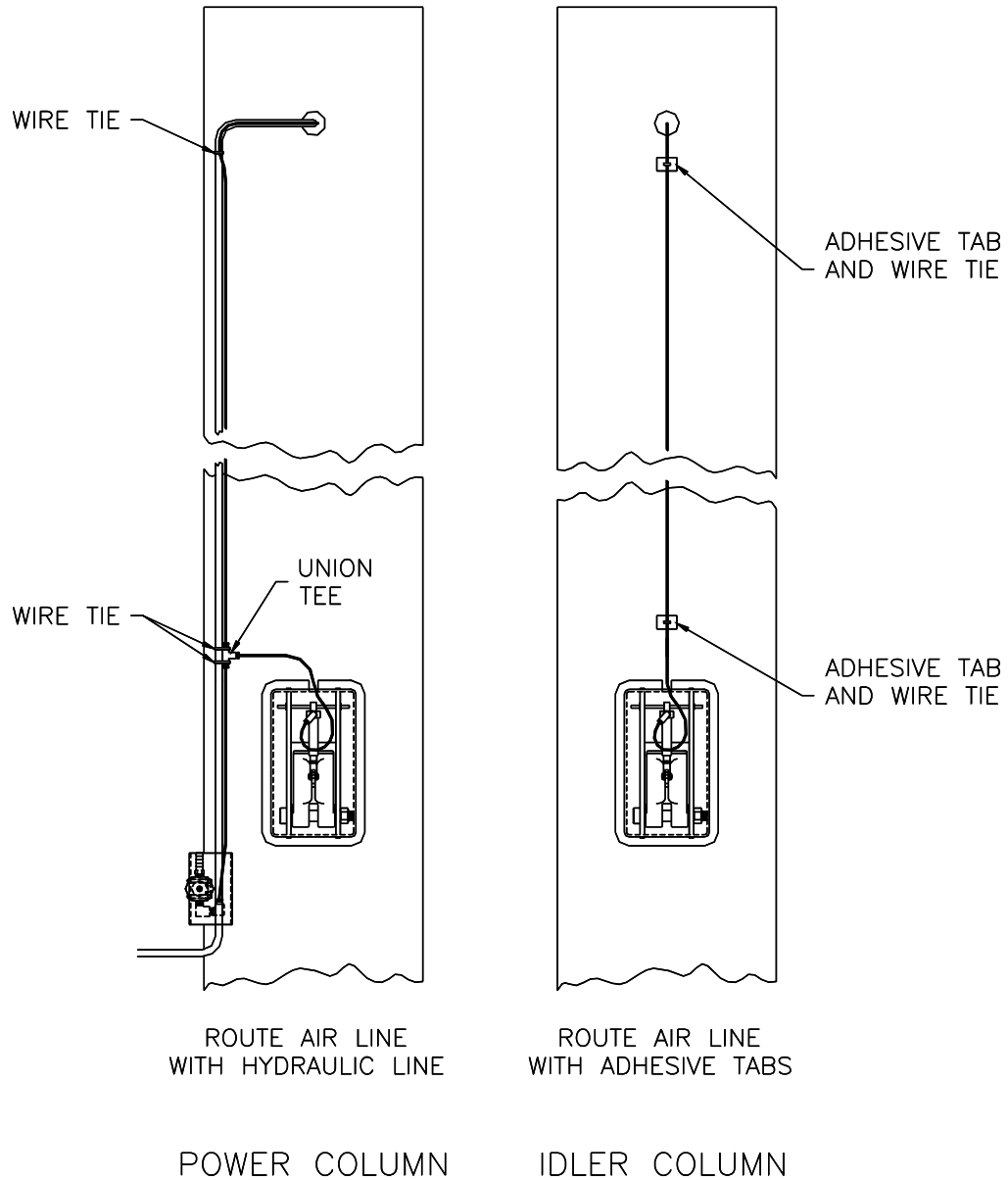


Figure 9

Model 12000 Installation, Operation and Maintenance

16. Center one adapter rack on the back of each column 27" up from the top of the column base. Using the adapter rack as a template, mark and drill mounting holes. Use 3/8 x 1 bolts, flat washers, lock washers, and nuts to mount racks.
17. Connect the overhead shutoff switch to the power unit (Fig. 10).
18. Connect the power unit to a suitable electrical power (Fig. 10).

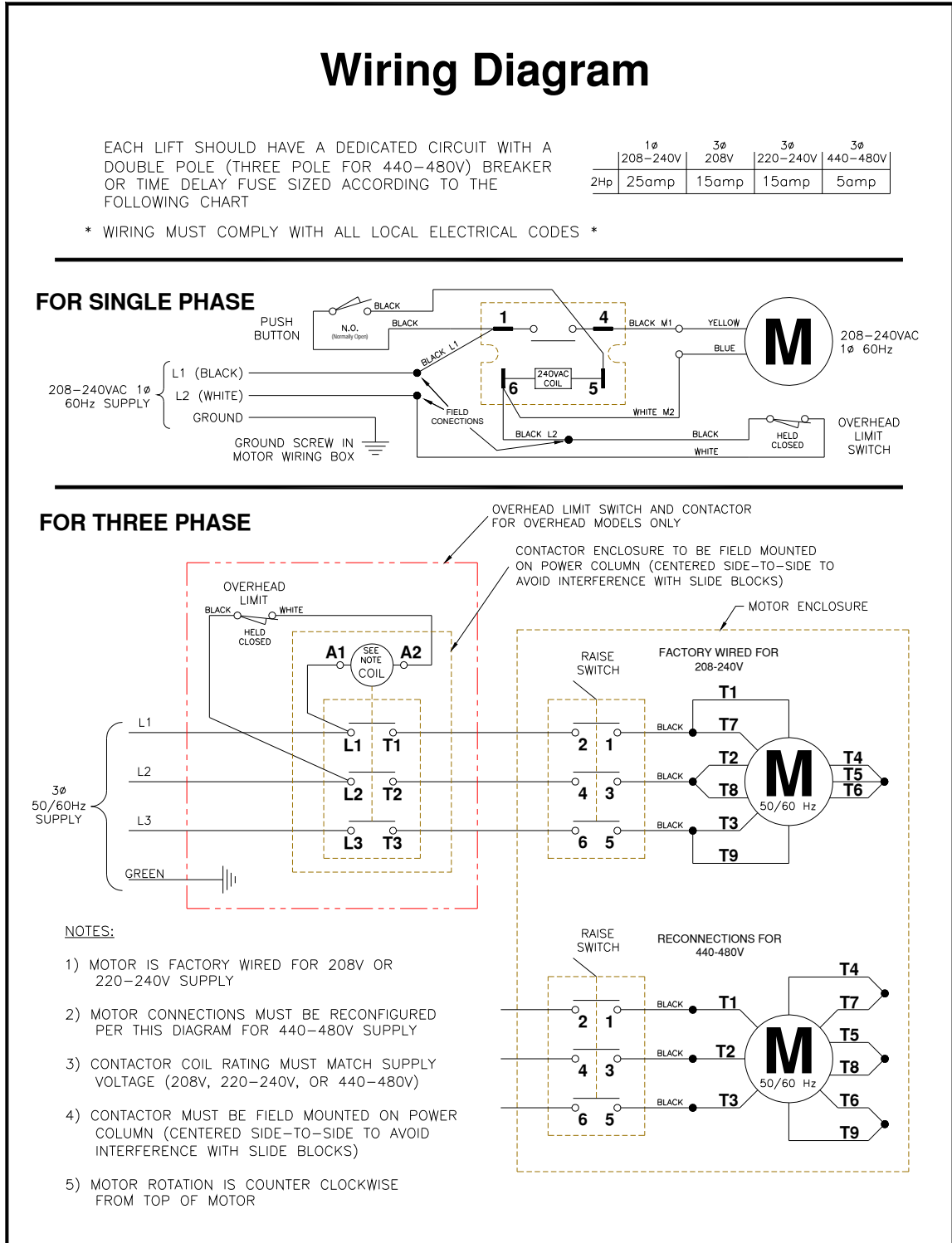


Figure 10

Model 12000
Installation, Operation and Maintenance

19. Energize the power unit until the carriages are lifted and run them up about 3 feet. **Caution!** **Wear eye protection while bleeding the cylinders!** Slowly and carefully loosen the bleed plug to allow the entrapped air to escape from the cylinder, first on the idler side and then the power side. Energize the power unit again to raise the carriages about 1-2 inches and loosen the plugs to bleed again. Repeat until no air comes out of the plug.
20. Lower the lift completely and top off the hydraulic fluid (4 gallon total tank capacity). Raise the lift until both carriages are in the locking range and engage the safety latches. Make certain that the carriages are at the same height. Adjust the synchronizer cables so that the tension is equal in both cables and both carriages are firmly on the locks. Cycle the lift to ensure that the latches operate simultaneously.
21. Lubricate the arm pin or carriage arm pin hole with “anti-seize” and install the arms (Fig. 11). Insure that the arm restraint gears engage and disengage properly. Arm restraints should disengage when lift is fully lowered. If any binding occurs, insure that the large gear mounted to the arm has been factory installed tight against the arm pin.
22. Extend the foot pad to both extents and apply “anti-seize” to the three retaining rings and where the double screw makes contact with the base of the foot pad.

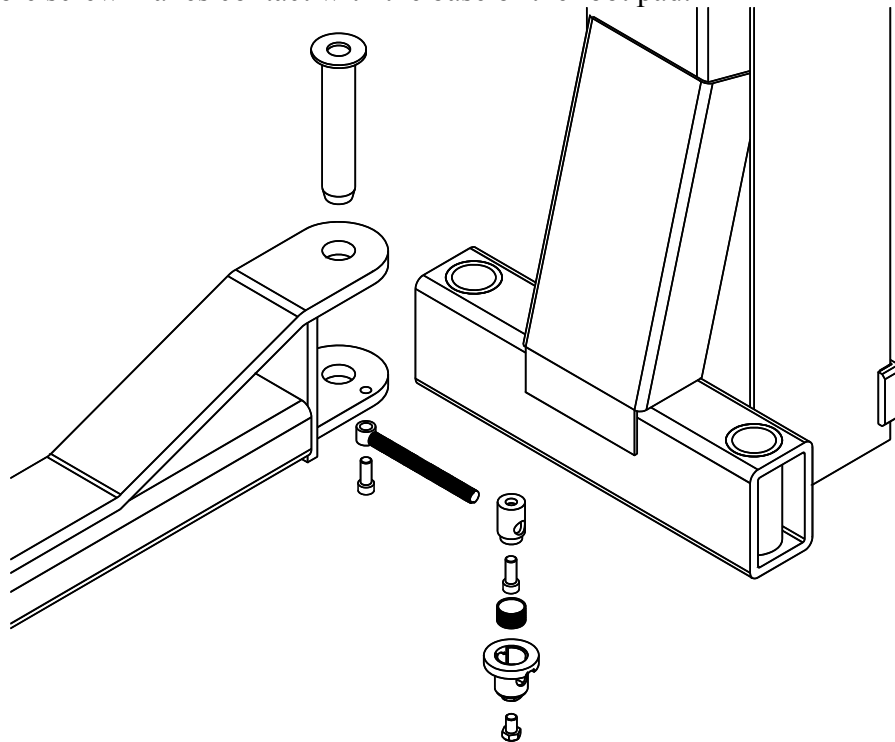


Figure 11

Model 12000

Installation, Operation and Maintenance

OWNER/OPERATOR CHECKLIST

- 1) Demonstrate the operation of the lift to the owner/operator and review correct and safe lifting procedures using the **Lifting It Right** booklet as a guide.
- 2) Complete the Installation Checklist/Warranty Validation questionnaire with the owner. Review the terms of the warranty registration card, and return the card and a copy of the questionnaires to:

Challenger Lifts, Inc.
200 Cabel Street
Louisville, KY. 40206

OPERATION PROCEDURE

SAFETY NOTICES AND DECALS

This product is furnished with graphic safety warning labels, which are reproduced on page 3 of these instructions. Do not remove or deface these warning labels, or allow them to be removed or defaced. For your safety, and the safety of others, read and understand all of the safety notices and decals included.

OWNER/EMPLOYER RESPONSIBILITIES

This lift has been designed and constructed according to ANSI/ALI ALCTV-2006 standard. The standard applies to lift manufactures, as well as to owners and employers. The owner/employer's responsibilities as prescribed by ANSI/ALI ALOIM-2000, are summarized below. For exact wording refer to the actual standard provided with this manual in the literature pack.

The Owner/Employer shall insure that lift operators are qualified and that they are trained in the safe use and operation of the lift using the manufacturer's operating instructions; ALI/SM 93 - 1, ALI Lifting it Right safety manual; ALI/ST-90 ALI Safety Tips card; ANSI/ALI ALOIM-2000, American National Standard for Automotive Lifts-Safety Requirements for Operation, Inspection and Maintenance; ALI/WL Series, ALI Uniform Warning Label Decals/Placards; and in case of frame engaging lifts, ALI/LP-GUIDE, Vehicle Lifting Points/Quick Reference Guide for Frame Engaging Lifts.

The Owner/Employer shall establish procedures to periodically inspect the lift in accordance with the lift manufacturer's instructions or ANSI/ALI ALOIM-2000, American National Standard for Automotive Lifts-Safety Requirements for Operation, Inspection and Maintenance; and the employer shall insure

that the lift inspectors are qualified and that they are adequately trained in the inspection of the lift.

The Owner/Employer shall establish procedures to periodically maintain the lift in accordance with the lift manufacturer's instructions or ANSI/ALOIM-2000, American National Standard for Automotive Lifts-Safety Requirements for Operation, Inspection and Maintenance; and the employer shall insure that the lift maintenance personnel are qualified and that they are adequately trained in the maintenance of the lift.

The Owner/Employer shall maintain the periodic inspection and maintenance records recommended by the manufacturer or ANSI/ALI ALOIM-2000, American National Standard for Automotive Lifts-Safety Requirements for Operation, Inspection and Maintenance.

The Owner/Employer shall display the lift manufacturer's operating instructions; ALI/SM 93 -1, ALI Lifting it Right safety manual; ALI/ST-90 ALI Safety Tips card; ANSI/ALI ALOIM-2000, American National Standard for Automotive Lifts-Safety Requirements for Operation, Inspection and Maintenance; and in the case of frame engaging lift, ALI/LP-GUIDE, Vehicle Lifting Points/Quick Reference Guide for Frame Engaging Lifts; in a conspicuous location in the lift area convenient to the operator.

Model 12000
Installation, Operation and Maintenance

1. Lifting a Vehicle

Ensure that the lifting arms are parked, out of the way of the vehicle.

Position the vehicle in the service bay so that the vehicle's center of gravity is on a line between the two columns, and so the vehicle is centered between the two columns.

Do not place the vehicle in the service bay backwards.

Do not attempt to lift the vehicle with only two arms, as this will void the warranty

Refer to the vehicle manufacturer's service manual, technical bulletins, or other publications to locate the recommended lifting points.

Position the arms so that all four pads contact the vehicle simultaneously.

The vehicle should remain level during lifting.

Raise the lift until all four wheels are off the ground. Test the stability of the vehicle by attempting to rock the vehicle. If the vehicle seems unstable, lower the lift and readjust the arms. If the vehicle is stable, raise the vehicle to a height a few inches above the desired working height.

When the vehicle has reached the desired working height, release the power pack button, and lower the vehicle until the safety latches on both columns engage. The vehicle should remain level when both latches are engaged. If one side engages and the other continues to descend, stop lowering the vehicle, raise it several inches, and try again to engage both latches.

Always lower lift into locks before entering the area beneath the vehicle.

Removal of large components of the vehicle could cause a change in the center of gravity resulting in an unsafe condition. If this is intended, vehicle support stands are recommended.

Model 12000
Installation, Operation and Maintenance

2. Lowering a vehicle

Ensure that the area under the vehicle is clear of personnel and tools.

Raise the vehicle until both latches are free.

Disengage the latches by depressing the palm button and holding it.

Lower the vehicle by depressing the lowering valve handle.

Continue to lower the vehicle until the carriages stop against the base plate. Retract the extension arms, and park them. It is important to fully lower the lift to release hydraulic pressure on the system.

Maintenance

To avoid personal injury, permit only qualified personnel to perform maintenance on this equipment. Maintenance personnel should follow lockout/tagout instructions per ANSI Z244.1.

The following maintenance points are suggested as the basis of a preventive maintenance program. The actual maintenance program should be tailored to the installation.

Daily

Check for fluid leaks and loose connections.

Check for broken parts

Weekly

Check fluid level in power pack reservoir.

Check for lock release activation.

Inspect the lift for loose anchor bolts (If loose tighten to 80 ft-lbs). **All anchor bolts should take full torque.**

Monthly

Check synchronizer cables for wear and tension, adjust if necessary.

Lubricate cable sheaves or chain sprockets with light oil to reduce drag.

Lubricate carriage slide tracks with heavy viscous grease.

Model 12000
Installation, Operation and Maintenance

Appendix A

Hydraulic Fitting Assembly

Hydraulic line sets are prefabricated to allow easy assembly in the field. Follow the steps outlined below for reliable, leak-free joint:

1. Remove any shipping plugs or caps, insuring that no remnants of the plugs or caps remain in the tube.
2. Lubricate the threads and seat of the fitting with hydraulic oil or a compatible lubricant. **Do not use pipe dope or Teflon tape on these fittings.**
3. Align the tubing joints so that the tubing and sleeve assemblies can be inserted easily into the fitting.
4. Insert the tubing and sleeve assemblies into the fitting and start the fitting nut by hand.

CAUTION: If the fitting nut cannot be started by hand, the joint is not aligned properly. Attempting to start a misaligned fitting with a wrench is likely to damage the fitting and result in a leaking joint.

5. Tighten the fitting nut until the force required to turn it rises sharply.
6. Tighten the fitting nut 1/4 turn past the point noted in the previous step. Only if the joint leaks in operation should the joint be tightened further.

CAUTION: Do not over tighten the hydraulic fittings.

Model 12000
Installation, Operation and Maintenance

Appendix B

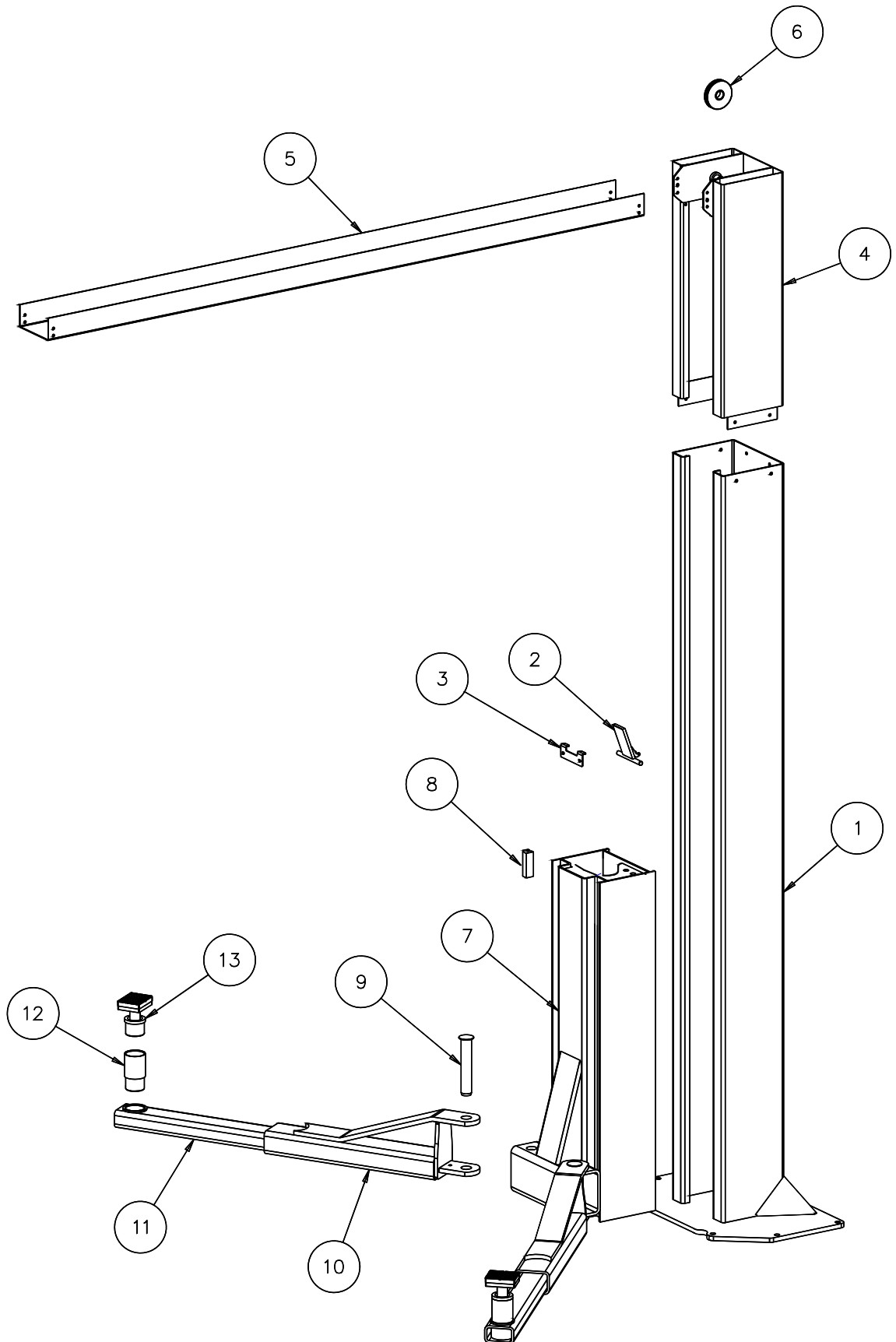
Anchor Bolt Installation

1. Insure the concrete has had sufficient time to cure - 28 days minimum.
2. Always wear safety glasses.
3. Follow the drill manufacturers safety instruction.
4. Use only solid carbide-tipped drill bits meeting ANSI B94 tip diameter standards.
5. Drill the anchor bolt holes perpendicular to the work surface. To assure full holding power, do no ream the hole or allow the drill to wobble.
6. Drill the hole at least as deep as the full length of the anchor, completely through the slab if possible.
7. Clean the hole, using compressed air and a wire brush. A clean hole is necessary for proper performance.
8. Assemble the washer and nut on the anchor bolt so that the anchor protrudes slightly beyond the nut.

The anchor should drop easily into the hole, requiring no more than a slight tap to seat it fully.

9. Tap the anchor through the fixture (lift base plate) and into the hole, making sure that the nut rests solidly against the fixture.
10. Tighten the nut to 150 ft-lbs for 3/4 inch diameter bolts and to 75 ft-lbs for 3/8 inch diameter bolts.

Model 12000
Installation, Operation and Maintenance



**Model 12000
Installation, Operation and Maintenance**

**PARTS BREAKDOWN
MODEL 12000**

ITEM #	PART #	#/LIF T	DESCRIPTION
1	12510	1	POWER COLUMN WELD
	12511	1	IDLER COLUMN WELD
2	12516	2	LOCK WELD
3	12518	2	LOCK RETAINER
	12073	4	5/16-18NC BUT.HD.CS X 1/2 LG
	37025	2	AIR CYLINDER ASSEMBLY
	12088	2	EXTENSION SPRING
4	12534	2	COLUMN EXTENSION WELD
	31035	28	3/8-16NC X 1 HEX HD. CAP SCREW
	31036	28	3/8 FLAT WASHER
	31038	28	3/8-16NC HEX NUT
5	12540	1	OVERHEAD WELD
	12542	1	OVERHEAD SHUTOFF BAR ASSY
	12045	1	MERCURY SWITCH
	12531	2	SYNCHRONIZER CABLE ASSY
	12574	2	CABLE EXTENSION (model 12001)
	12574	4	CABLE EXTENSION (model 12002)
6	31019	6	CABLE PULLEY
	31020	6	WASHER
	31021	6	RETAINER RING
7	12521	2	CARRIAGE WELD
8	31023	16	SLIDE BLOCK
9	12544	4	ARM PIN WELD
10	12547	4	FEMALE ARM WELD
11	B12552	4	MALE ARM WELD
	12072	4	1/2-13NC SHCS X 5/8 LG
12	B2206-3	4	EXTENSION (3")
	B2206-6	2	EXTENSION (6")
13	B12062-12	4	ADAPTER ASSEMBLY
	B2209	2	ADAPTER RACK
	31052	4	ARM RESTRAINT ASSEMBLY
	31368		POWER UNIT - SINGLE PHASE
	31355		POWER UNIT - THREE PHASE

Replace worn or broken parts with genuine CHALLENGER LIFTS INC. parts
Contact your local Challenger Lifts Parts Distributor for pricing and availability
(Call CHALLENGER LIFTS INC. (502) 625-0700 for the Parts Distributor in your area)

Model 12000
Installation, Operation and Maintenance