

Pre-Winterization Helpful Tips

Wrapping your above ground parts with a towel and trash bag is always a good step. For those of you who would like to drain or prepare your system for a professional blowout, these steps will come in handy.

This video from Infinity Homes is a great tutorial about protecting from freeze until your professional blowout can be completed.

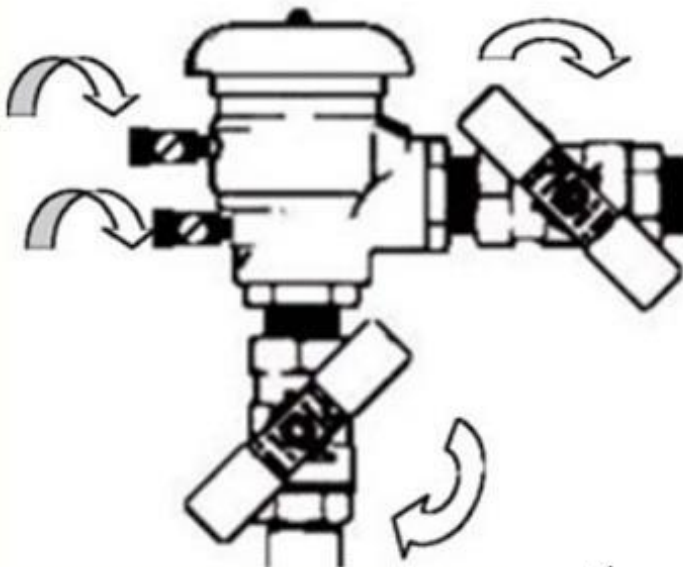
<https://youtu.be/obMcBjv5ZgY>



Inside:

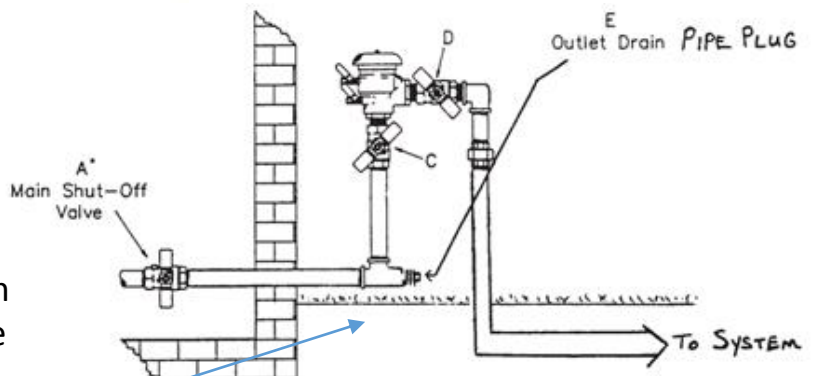
Shut off water at main supply (Often located in the basement or in a crawl space). This is ON because it is flush with the pipe. Turn it right (perpendicular) to be OFF. The handle can sometimes be a round gate valve so turn right to tighten.

Look for a drain cap like this. Loosen cap and place a bucket/bowl under it to catch any water that may drain. Replace the cap.



Outside:

Turn all (4) Valves on the PVB unit shown to a 45 % angle. A screwdriver works great on the test cocks on the left.



Look for a drain cap to loosen on the outside unit. If you have one of these outside, it takes care of the main drainage needs.

If you know where your valve boxes are, there are sometimes drains that can be opened – they are often brass cross-like handles. Lefty loosey to open. Be sure to close them again after the water drains. Note: some valve boxes like the ones we install, have automatic drains.



Lastly, remember to turn off your timer/controller.



Final
drained
settings for
WINTER



See startup
helper –
these are
spring (ON)
settings



720-851-9765

www.ActionSprinklerService.com