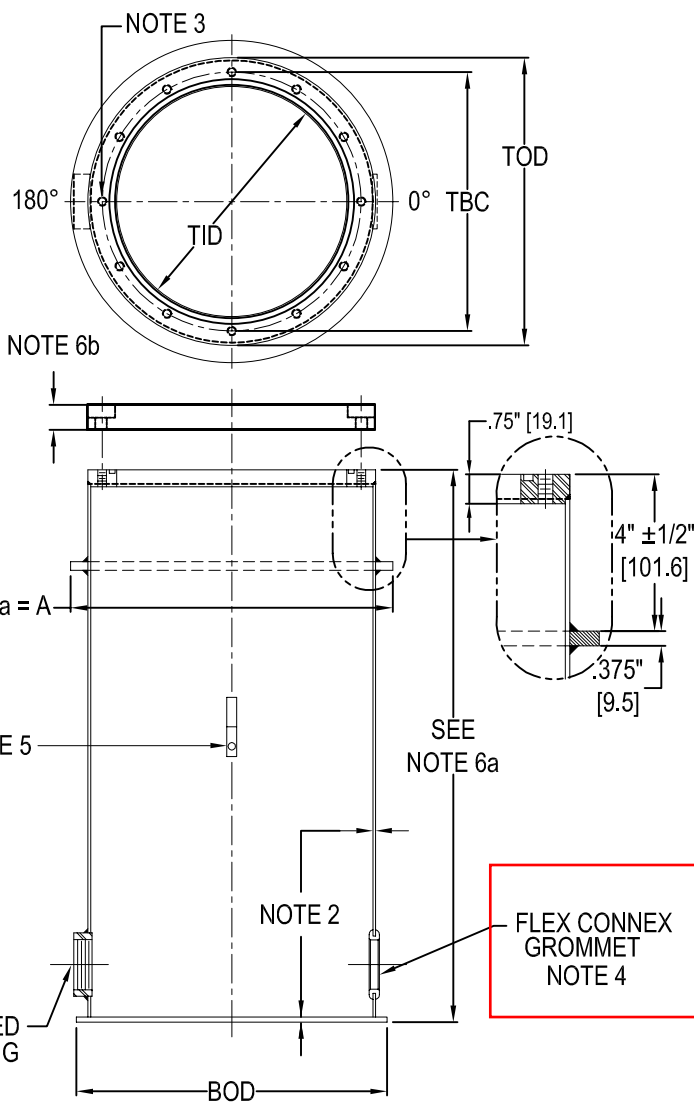




L-868 Class 1B Light Base



L-868 Class 1B Light Base



1. Approved and Certified to FAA Advisory Circular AC150/5345-42F L868 class 1B
 Size: A=8", B=12", C=15"

* 2. Material to meet 1B requirement
 ACS - 12 GA. Min. Thickness 304/18-8 Stainless Steel
 ACB - .109" Min. Thickness Class 1A with VEGA™-KOTE proprietary coating

3. ACS - (12) 3/8"-16 equally spaced, tapped holes GARDSERT™ optional.
 ACB - (12) 3/8"-16 equally spaced, Stainless Steel top ring standard, GARDSERT™ optional.

4. Conduit Openings are:
 Located 180° apart 2.5" up from bottom
 Various sizes and locations are available
 Protective plug installed in threaded couplings
 Flex Connex Grommets are shipped separately

5. Internal / External Stainless Steel Ground Straps are standard.
 ACB option equipped with uncoated ground straps
 Copper Lug AW0919 available

6a. Standard height = 24" [609.6]
 6b. L-868 Plywood Cover 3/4" or 5/8" with mud plate

Other Heights available

TYPE	PART NO.	TOD	TBC	TID	BOD	A
* L868A 8"	ACS08_____	8.5"	7.25"	6.5"	9"	10"
	ACB08_____VK	[215.9]	[184.2]	[165.1]	[228.6]	[254]
* L868B 12"	ACS24_____	12.5"	11.25"	10"	13"	14"
	ACB24_____VK	[317.5]	[285.8]	[254]	[330.2]	[355.6]
* L868C 15"	ACS35_____	15.5"	14.25"	13"	16"	17"
	ACB35_____VK	[393.7]	[362]	[330.2]	[406.4]	[431.8]

[] = dimensions in metrics; mm

* SEE NOTE 2