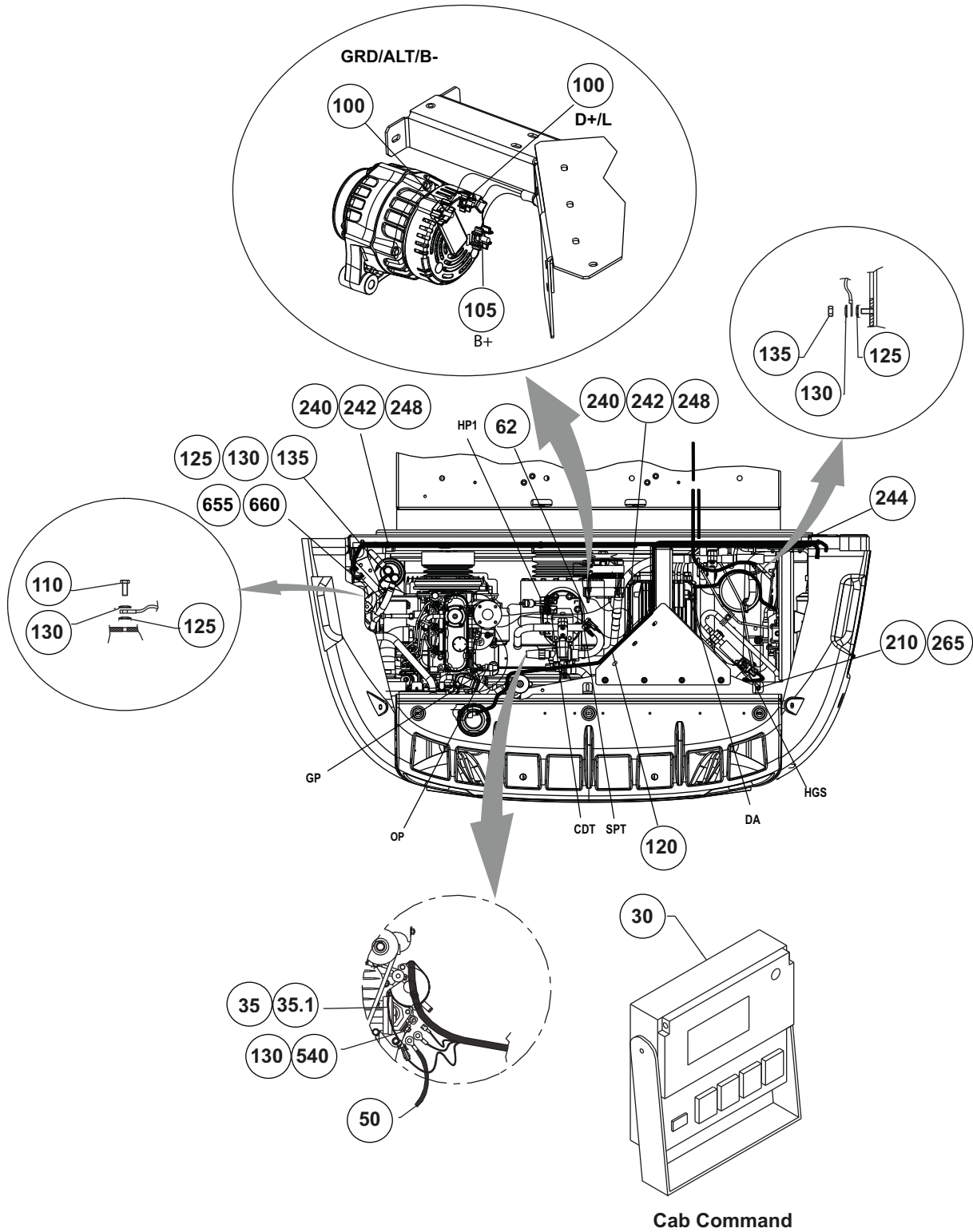


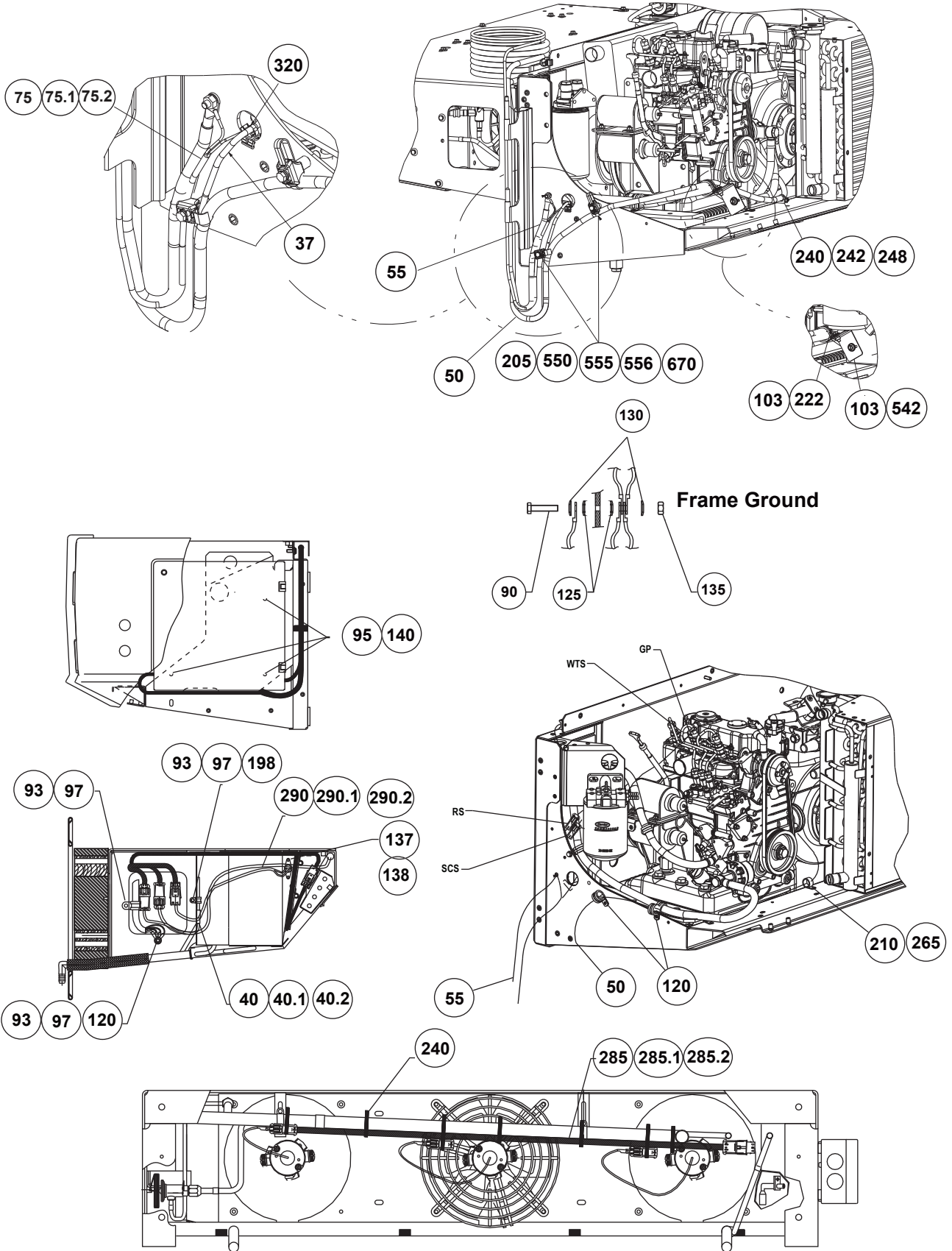
Item Number	Part Number	Part Description	Quantity
10.3.12	62-02255-00	Decal, Voltage, 230V	1
10.3.13	62-03914-00	Decal, Check Rotation	1
10.3.14	66-U---1--1251-3	O-Ring, 1.00, Hub Sealing	1
10.3.15	68-08332-01	Bracket	1
10.3.16	34-60002-56	Washer, M6, belleville	3
10.3.17	34-01184-06	Nut, Lock, M6, Nylock	3
10.4	22-02965-01	Cable Assembly, Standby, Motor	1
10.5	91-01185-00	Panel Assembly, Standby	1
10.5.1	10-00433-00	Contact, 30A	1
10.5.2	10-00473-05	Overload, 5.4 to 27A	1
10.5.3	22-02952-00	Harness, MC/OL, Control	1
10.5.3.1	22-60254-07	Connector, 3-Pin, C3	1
10.5.4	22-02953-00	Wire, Ground	1
10.5.5	34-06330-12	Screw, M4 x 12LG, Socket, HD	2
10.5.6	34-01184-05	Nut, Lock, M5, Nylock	1
10.5.7	34-00944-04	Washer, Flat, M4	2
10.5.8	34-00944-05	Washer, M5, Flat	1
10.5.9	68-08383-00	Panel Assembly, Standby	1
10.6	22-60241-03	Terminal, Pin, 1.5mm, Wire	1
30	12-00325-02	Cab Command, Micro Control	1
35	22-60030-00	Harness, Info-Start	1
35.1	22-50078-63SV	Connector, 1-Wire	1
37	22-02907-00	Harness, + Micro	1
40	22-02973-05	Harness Assembly, RAS	1
40.1	12-00500-04	Sensor, Thermistor	1
40.2	22-50078-01SV	Connector, 2-Wire	1
50	22-02941-00	Cable, Positive, Red x 9200mm Long	1
55	22-02941-01	Cable, Battery, Negative, Black x 8000mm Long	1
75	22-02979-02	Harness, Fuel Pump	1
75.1	22-01585-00SV	Connector, 2-Wire	1
75.2	22-50078-64SV	Connector, 1-Wire	1
90	34-01153-35	Screw, Cap, Hex Head, M8 x 35mm, 1.378	1
93	34-01152-20	Screw, Cap, Hex Head, M6 x 20mm, 0.787	4
95	34-01184-58	Nut, Lock, M8 Nylock	2
97	34-01184-06	Nut, Lock, M6 Nylock	3
100	34-01322-00	Nut, Flanged, M5	2
105	34-01322-01	Nut, Flanged, M6	1
110	34-01153-20	Screw, Cap, Hex Head, M8 x 20mm, 0.787	1
120	34-60095-27	Washer, Lock, M6 x 14mm	2
125	34-00372-123	Washer, Lock, M8, External Tooth	7
128	34-60002-06	Washer, M6, Bellville	1
130	34-60002-08	Washer, M8 belleville	5
133	34-00946-08	Nut, Hex, M8-1.25	1
135	34-00946-58	Nut, Hex, M8-1.25, 0.315	1
137	34-01197-10	Screw, Cap, Hex Head, M4 x 10mm, 0.394	2
138	34-60095-24	Washer, Lock, M4 x 10mm	2
140	34-00366-12	Washer, Plain, 5/16	2

Item Number	Part Number	Part Description	Quantity
160	34-00876-25	Screw, Cap, Hex Head, M8 x 25mm, 0.98	1
198	58-00079-00	Sta-Strap, Cable Clamp, 0-4.00 Diameter	4
205	58-05078-00	Sta-Strap	3
210	44-01139-02	Clamp, Cable, 0.750 Diameter, Harness	2
222	34-00373-67	Clamp, Tube, 1.25 Diameter, Cushioned	1
240	58-00079-02	Sta-Strap, Cable Clamp, 0-1.75 Diameter	24
242	58-04507-01	Holder, Wire Tie	8
248	34-00774-02	Rivet, Blind, 0.188 Diameter, 0.187-0.437	8
250	34-01152-35	Screw, Cap, Hex Head, M6 x 35mm, 1.378	1
260	34-01234-01	Rivet, Blind, 0.188 Diameter, 0.137-0.354	2
285	22-60001-00	Harness, Evaporator, Electric Drive	1
285.1	22-50078-01SV	Connector, 2-Wire	3
285.2	22-50078-08SV	Connector, 3-Wire	1
290	22-60889-00	Klixon Wire Assembly	1
290.1	12-00256-10	Thermostat, Defrost Termination, Klixon	1
290.2	22-02392-00SV	Connector, 2-Wire	1
320	44-60150-02	Clip, Harness Retainer	2
326	58-01441-00	Sta-Strap	2
330	58-01428-00	Sta-Strap	1
500	62-04170-00	Decal, Warning	1
520	34-00967-35	Screw, Cap, Hex Head, M6 x 35mm, 1.377	1
540	34-60201-03	Nut, Hex, M8	1
542	67-01079-00	Bracket, Tube	1
550	34-00967-50	Screw, Hex Head, M6 x 50mm	2
555	34-00944-06	Washer, Flat, M6	2
556	34-00945-06	Washer, Lock, M6	2
655	30-00006-00	Cable, Braided	1.33
660	30-00007-00	Terminal, Ring, 5/16 Stud, #6 AWG	4
670	58-00836-19	Spacer	2

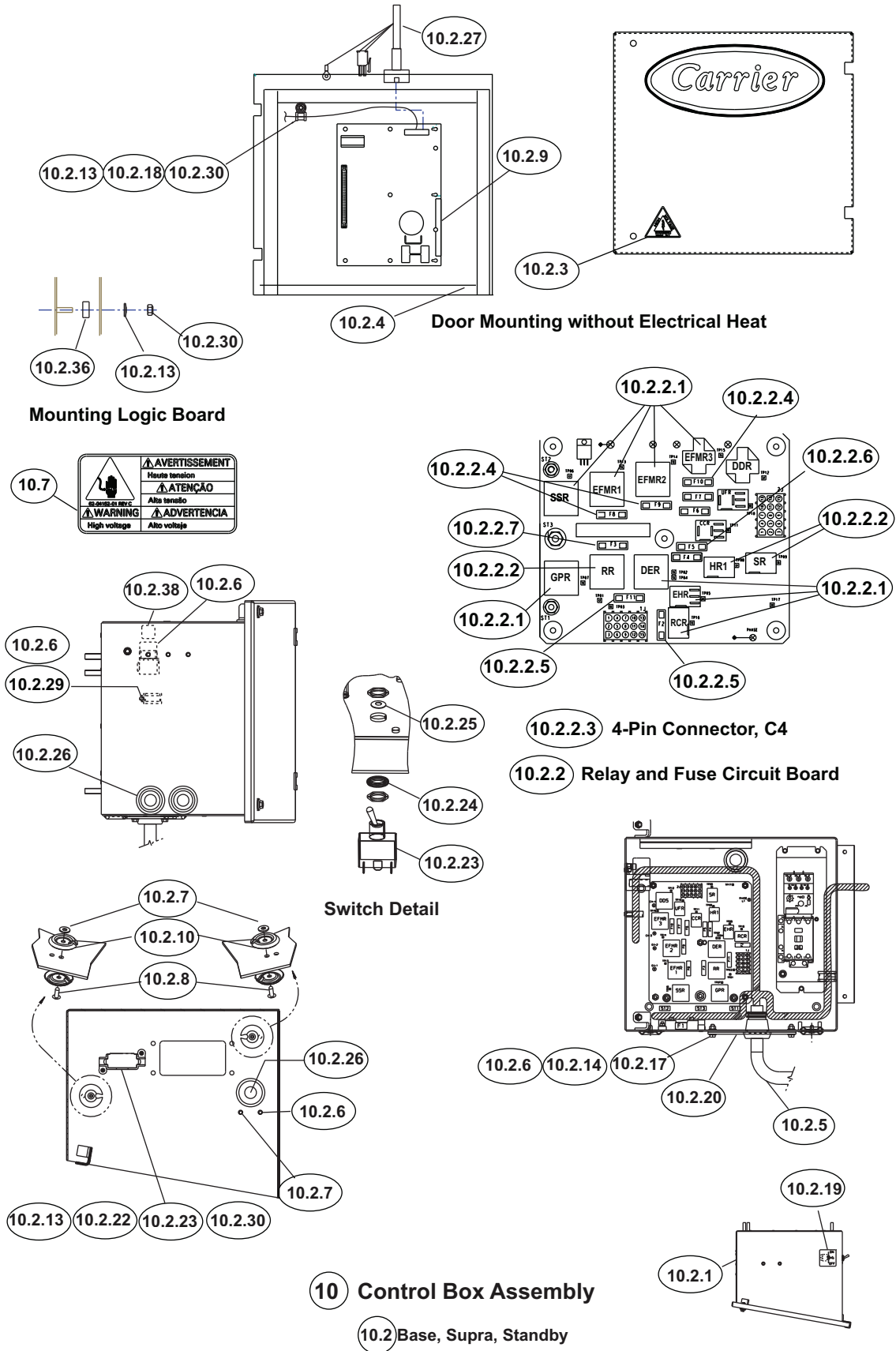
Electrical Kit - Supra 660 with Standby



Electrical Kit - Supra 660 and 760 with Standby



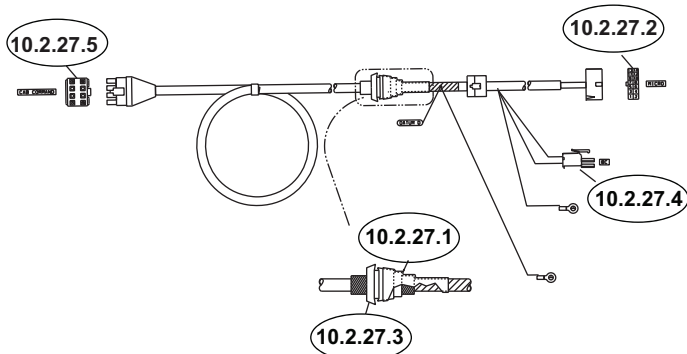
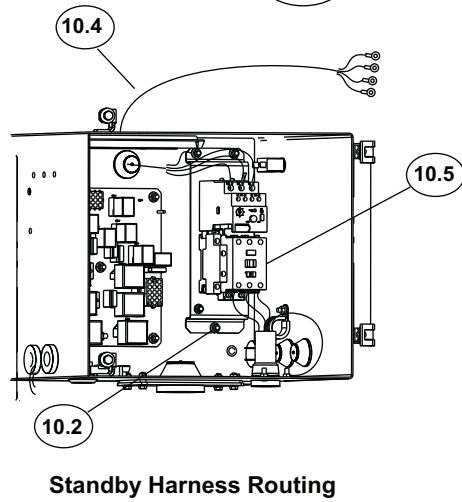
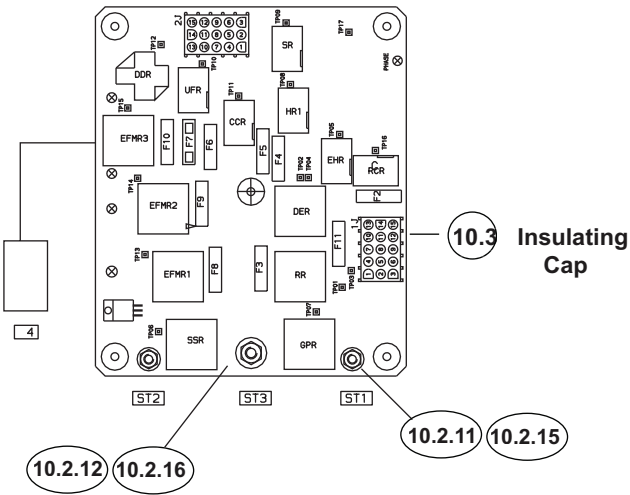
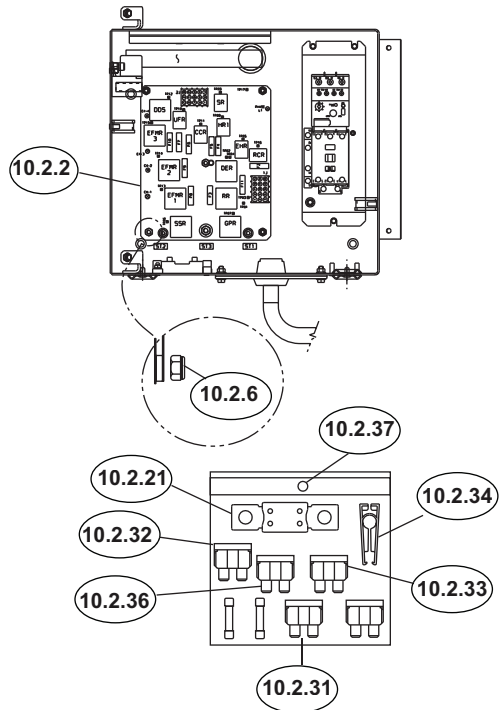
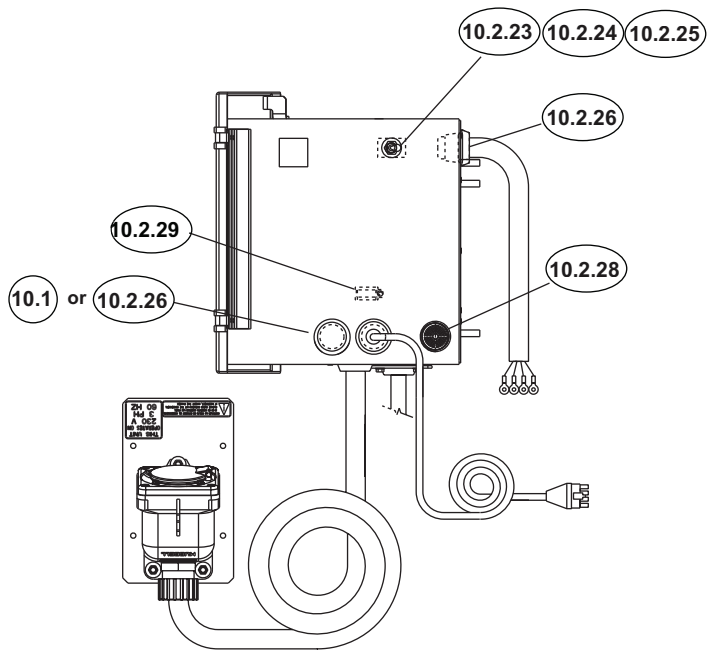
Electrical Kit - Supra 660 with Standby



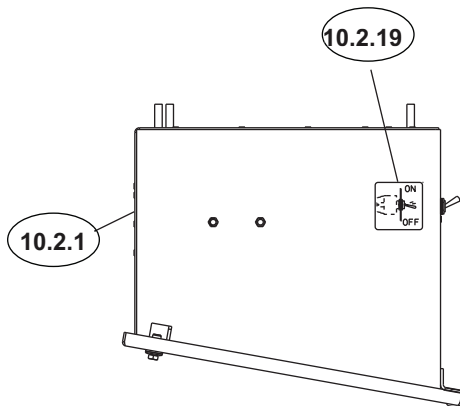
10 Control Box Assembly

10.2 Base, Supra, Standby

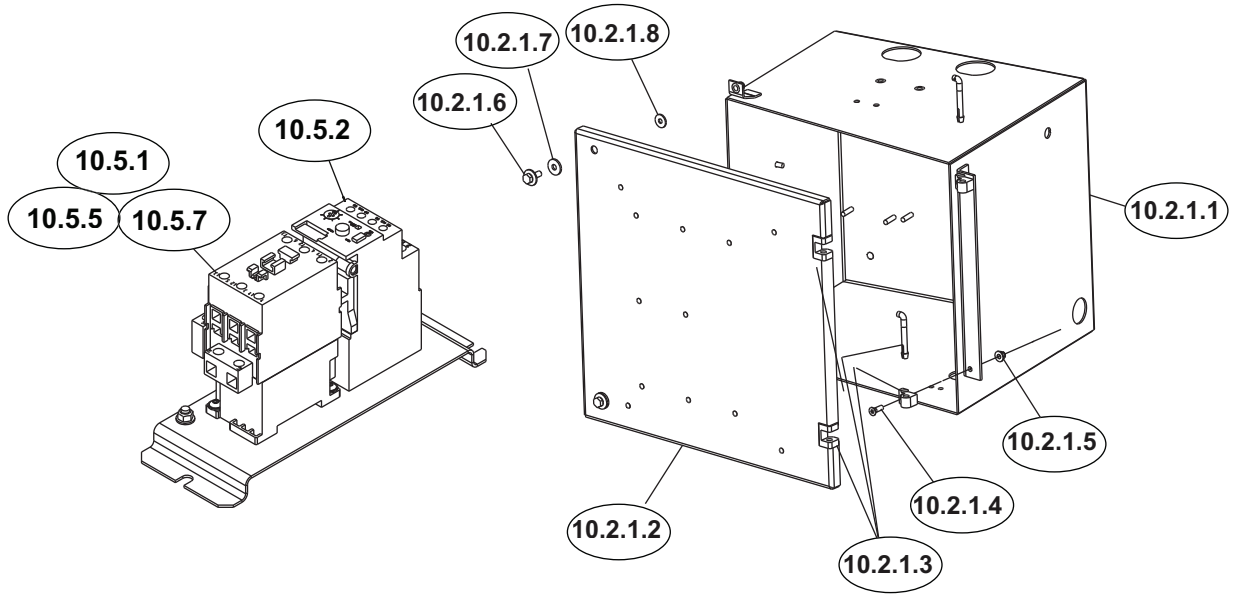
Electrical Kit - Supra 660 with Standby



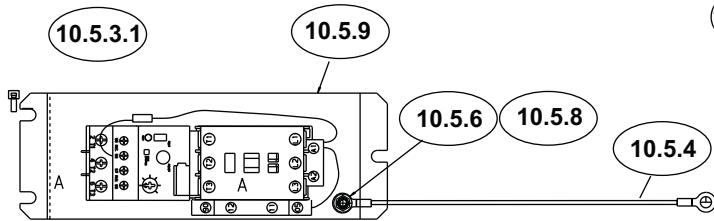
10.2.27 Cable Assembly, Cab Command



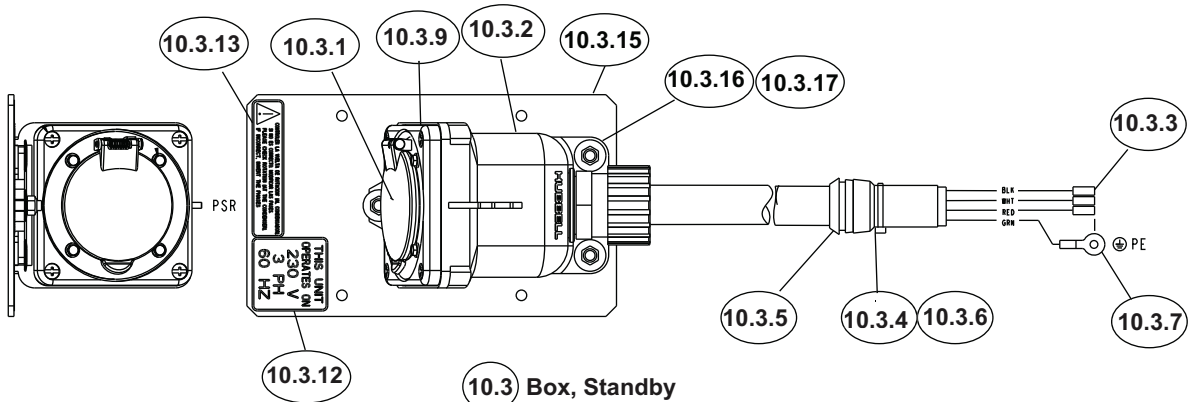
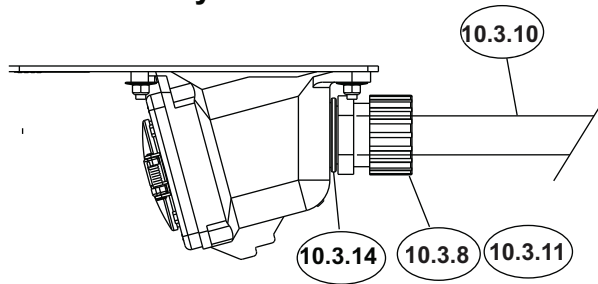
Electrical Kit - Supra 660 with Standby



10.2.1 Control Box Assembly

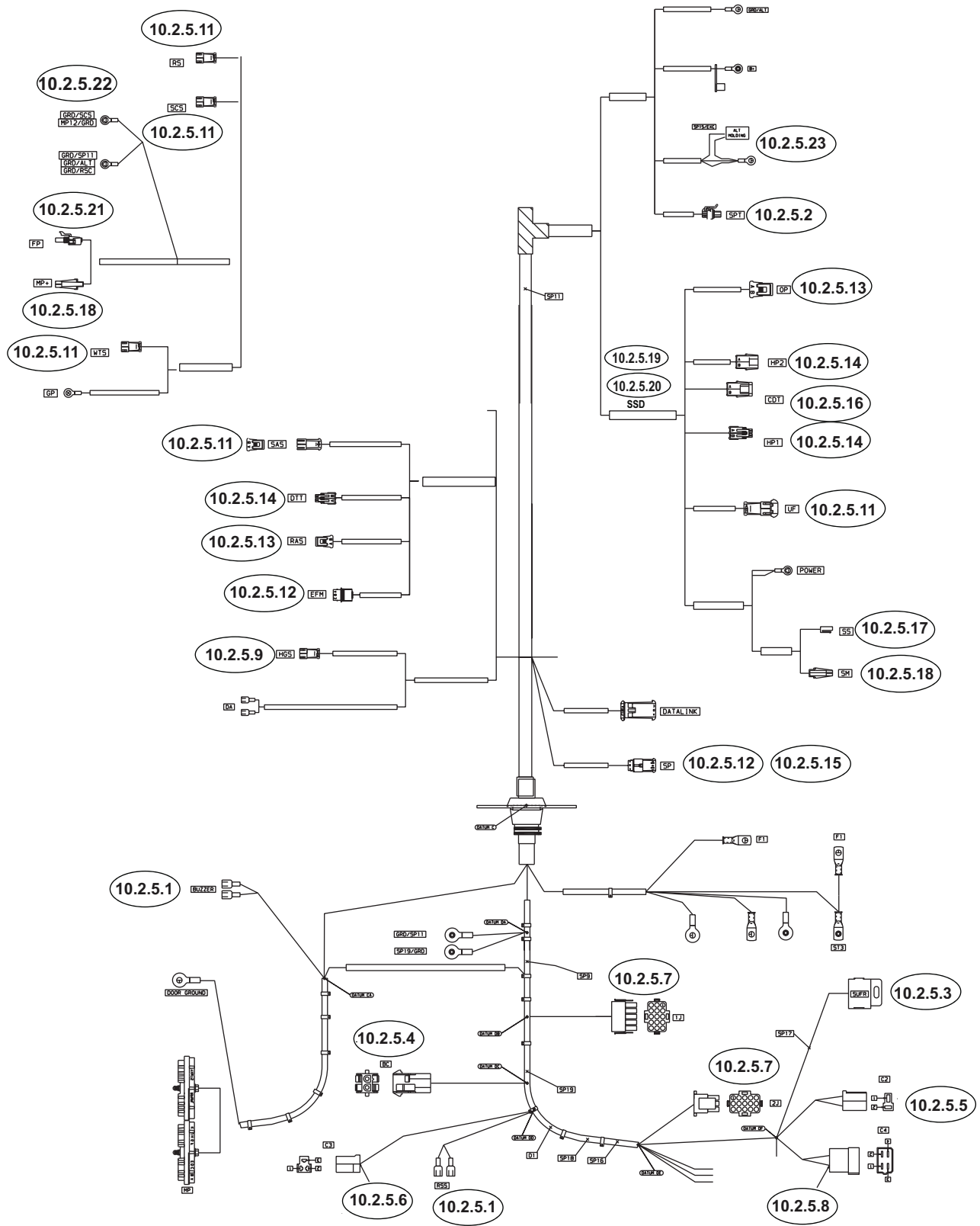


10.5 Panel Assembly



10.3 Box, Standby

Electrical Kit - Supra 660 with Standby



10.2.5.10 Grommet Plate (not shown)

10.2.5 Micro Harness

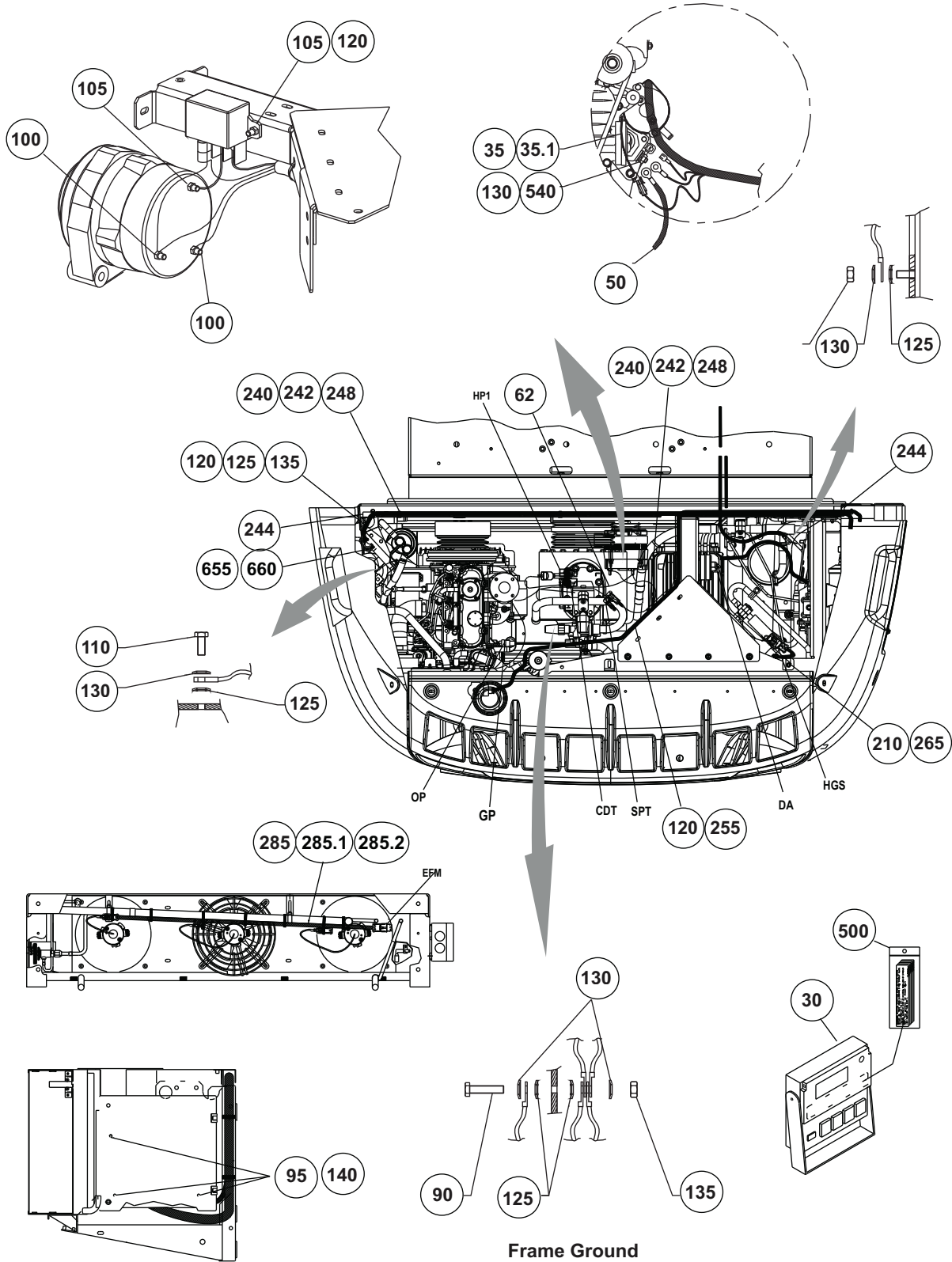
Item Number	Part Number	Part Description	Quantity
10	91-01190-33	Control Box Assembly, 208 - 230V, 3-Phase	1
10.1	34-60089-05	Nut, Lock, M5, Twolock	4
10.2	91-01190-13	Base, without Electric Heat	1
10.2.1	79-02376-02	Box Assembly, Control Box	1
10.2.1.1	86-03187-00	Control Box, Weld	1
10.2.1.2	68-08160-01	Door, Control Box	1
10.2.1.3	44-00356-00	Hinge, Two-Piece, Plastic	2
10.2.1.4	34-60236-16	Screw, M5 x 16mm, 0.62 Long	2
10.2.1.5	34-60235-00	Nut, Lock, M5	2
10.2.1.6	34-60068-20	Screw, Captive Washer, M6 x 20mm Long	2
10.2.1.7	58-60306-06	Washer, Nylon, M6 - 18	2
10.2.1.8	58-60306-05	Washer, Nylon, M5 - 15	2
10.2.2	12-00460-06	Circuit Board, Relay and Fuse	1
10.2.2.1	10-00286-10	Relay, DER, EFMR1, EFMR2, EFMR3, GPR, RR, SSR	7
10.2.2.2	10-00385-04	Relay, HR1, RCR, SR	3
10.2.2.3	22-60254-08	Connector, 4-Pin, C4	1
10.2.2.4	22-02336-00	Fuse, 30A, F8, F9, F10	3
10.2.2.5	22-02336-02	Fuse, 5A, F2, F4, F11	3
10.2.2.6	22-02336-04	Fuse, 10A, F5	1
10.2.2.7	22-02336-06	Fuse, 15A, F3	1
10.2.3	42-00715-01	Gasket	1
10.2.4	62-11144-00	Decal, Carrier	1
10.2.5	22-03020-00	Harness, Micro	1
10.2.5.1	22-50099-44	Connector, Female, 1-Pin, RSS, Buzzer	4
10.2.5.2	22-04187-10	Connector Assembly, Female, 3-Pin, SPT	1
10.2.5.3	22-50099-13	Receptacle, Relay, SUFR	1
10.2.5.4	22-60275-21	Connector, Female, 2-Pin, BC	1
10.2.5.5	22-60254-04	Connector, Male, 2-Pin, C2	1
10.2.5.6	22-60254-06	Connector, Male, 3-Pin, C3	1
10.2.5.7	22-60300-12	Connector, Male, 15-Pin, 2J, 1J	2
10.2.5.8	22-60254-09	Connector, Female, 4-Pin, C4	1
10.2.5.9	22-01613-02	Plug, 2-Socket, HGS	1
10.2.5.10	68-08126-00	Grommet Plate	1
10.2.5.11	22-50078-01	Connector, Male, 2-Pin, 3WV, SAS, UF, WTS, SCS, RS	6
10.2.5.12	22-50078-05	Connector, Female, 3-Pin, EFM, SP	2
10.2.5.13	22-50078-02	Connector, Female, 2-Pin, RAS, SAS, OP, UF	4
10.2.5.14	22-01585-00	Connector, Female, 2-Pin, DTT, HP2, HP1	3
10.2.5.15	22-50078-08	Connector, Male, 3-Pin, SP	1
10.2.5.16	22-02392-00	Connector, Male, 2-Pin, HP2, CDT	2
10.2.5.17	22-50098-06	Connector, Female, 1-Pin, SS	1
10.2.5.18	22-50078-64	Connector, Male, 1-Pin, SM, MP+	2
10.2.5.19	22-50078-07	Connector, Male, 1-Pin, SSD	1
10.2.5.20	22-50078-21	Connector, Female, 1-Pin, SSD	1
10.2.5.21	22-50078-63	Connector, Female, 1-Pin, FP	1
10.2.5.22	22-50099-01	Connector, 60-Pin, MP	1
10.2.5.23	12-60004-08	Diode/Resistor Module, Alternator	1
10.2.6	34-60089-05	Nut, Lock, M5 Twolock	12
10.2.7	34-00366-09	Washer, Plain, 10	2
10.2.8	34-00774-04	Rivet, Blind, 0.188 Diameter, 0.250 - 0.500	2

Item Number	Part Number	Part Description	Quantity
10.2.9	12-00649-39	Logic Board	1
10.2.10	58-00660-00	Washer, Condensate Drain	4
10.2.11	34-00946-105	Nut, Hex, M5	2
10.2.12	34-00946-106	Nut, Hex, M6	1
10.2.13	34-01151-04	Washer, Flat, M4	10
10.2.14	34-01151-05	Washer, Flat, M5	4
10.2.15	34-01327-05	Washer, Lock, M5, Spring	2
10.2.16	34-01327-06	Washer, Lock, M6, Spring	1
10.2.17	34-60000-16	Screw, Machine, Hex Head, M5 x 16 mm, 0.630	4
10.2.18	34-00373-01	Clamp, Tube, .25 Diameter Cushion	1
10.2.19	62-61363-00	Label, Adhesive, On-Off	1
10.2.20	42-60082-00	Gasket, Control Box	1
10.2.21	22-60340-04	Fuse, Midifuse, 80A, F1	2
10.2.22	22-60599-00	Fuse, Holder, Midival	1
10.2.23	10-01129-15	Switch, Toggle, 1-Pole, Off/On	1
10.2.24	42-00583-00	Seal, Panel, Bushing	1
10.2.25	58-60306-13	Washer, Nylon, M12 x 2.4 Thick x 19 OD	1
10.2.26	58-04842-04	Grommet	3
10.2.27	22-02964-00	Cable Assembly, Cab Command, 10M	1
10.2.27.1	22-50422-00	Connector, Female, 8-Pin	1
10.2.27.2	NSS	Connector, 14-Pin, Micro	1
10.2.27.3	22-60275-11	Connector, Male, 2-Pin, BC	1
10.2.27.4	22-50213-00	Connector, Male, 8-Pin, Cab Command	2
10.2.28	10-00375-02	Buzzer, Warning	1
10.2.29	44-60044-09	Clamp, 3/4, Cushion	2
10.2.30	34-01184-04	Nut, Lock, M4, Nylock	10
10.2.31	22-02336-02	Fuse, 5A, F2, F4, F6, F11	4
10.2.32	22-02336-06	Fuse, 15A, F3, F7	2
10.2.33	22-02336-00	Fuse, 30A, F8, F9, F10	3
10.2.34	22-02336-50	Fuse, Removal Tool	1
10.2.35	22-02336-04	Fuse, 10A, F5	1
10.2.36	58-00836-18	Spacer, Nylon	7
10.2.37	58-00079-02	Sta-Strap, 0 - 1.75 Diameter Cable	3
10.2.38	62-60223-28	Decal, SUFR	1
10.3	91-01186-00	Box Assembly, Standby, 208 - 230V	1
10.3.1	22-02955-00	Receptacle, 230V, 50A, 3-Phase	1
10.3.2	22-02937-00	Box, Conduit	1
10.3.3	22-02324-11	Bushing, 0.138 ID x 0.709, 10 AWG	7
10.3.4	22-04183-01	Heat Shrink, 1.00 ID, Black	1
10.3.5	58-60298-03	Grommet, Tap	1
10.3.6	58-00079-02	Sta-Strap, 0 - 1.75 Diameter Cable	1
10.3.7	22-50122-42	Terminal, Ring, 10, AWG, 10 - 12 Gauge	1
10.3.8	22-02343-05	Connector, 1 NPT, Yellow Ring	1
10.3.9	22-02954-00	Adapter, Receptacle, Inlet	1
10.3.10	22-66654-00	Cable, 10/4, SO, Yellow, 90`C	16.88
10.3.11	34-06136-02	Nut, Lock, 1.00 NPT	1
10.3.12	62-02255-00	Decal, Voltage, 230V	1
10.3.13	62-03914-00	Decal, Check Rotation	1
10.3.14	66-U---1--1251-3	O-Ring, 1.00, Hub Sealing	1

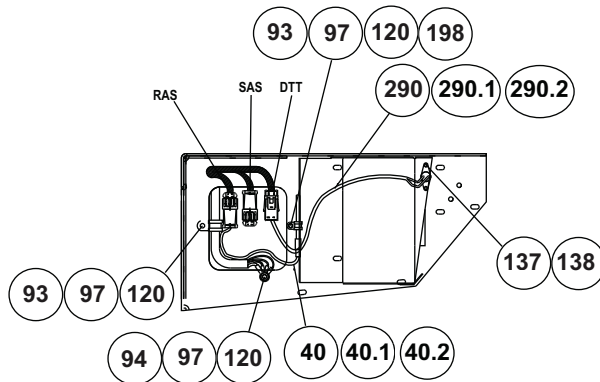
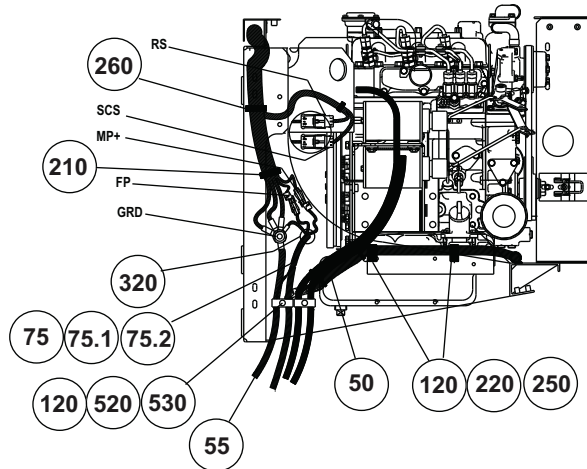
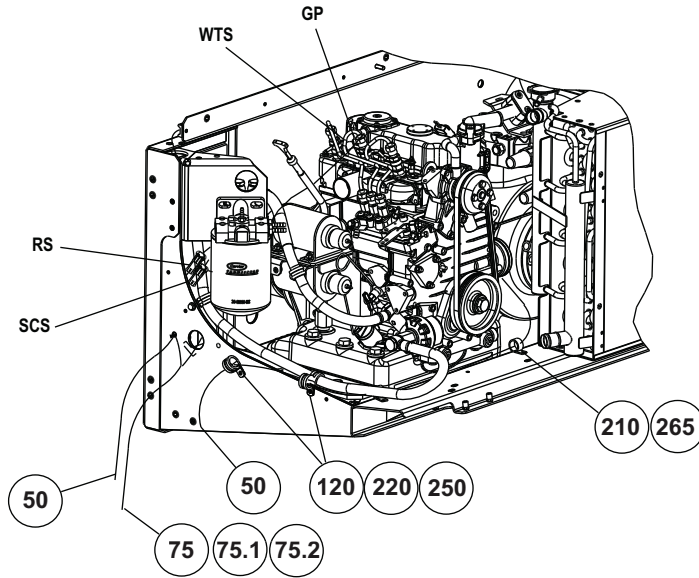
Item Number	Part Number	Part Description	Quantity
10.3.15	68-08332-01	Bracket	1
10.3.16	34-60002-56	Washer, M6, Belleville	3
10.3.17	34-01184-06	Nut, Lock, M6, Nylock	3
10.4	22-02965-01	Cable Assembly, Standby, Motor	1
10.5	91-01185-00	Panel Assembly, Standby	1
10.5.1	10-00433-00	Contactora, 30A	1
10.5.2	10-00473-05	Overload, 5.4 to 27A	1
10.5.3	22-02952-00	Harness, MC/OL, Control	1
10.5.3.1	22-60254-07	Connector, 3-Pin, C3	1
10.5.4	22-02953-00	Wire, Ground	1
10.5.5	34-06330-12	Screw, M4 x 12LG, Socket, HD	2
10.5.6	34-01184-05	Nut, Lock, M5, Nylock	1
10.5.7	34-00944-04	Washer, Flat, M4	2
10.5.8	34-00944-05	Washer, M5, Flat	1
10.5.9	68-08383-00	Panel Assembly, Standby	1
10.6	22-60241-03	Terminal, Pin, 1.5mm, Wire	1
10.7	62-04152-01	Decal, Warning, High Voltage	1
30	12-00325-02	Cab Command, Micro Control	1
35	22-60030-00	Harness, Info-Start	1
35.1	22-50078-63SV	Connector, 1-Wire	1
37	22-02907-00	Harness, + Micro	1
40	22-02973-05	Harness Assembly, RAS	1
40.1	12-00500-04	Sensor, Thermistor	1
40.2	22-50078-01SV	Connector, 2-Wire	1
50	22-02941-00	Cable, Positive, Red x 9200mm Long	1
55	22-02941-01	Cable, Battery, Negative, Black x 8000mm Long	1
62	22-02983-02	Harness, Alt. B+	1
75	22-02979-02	Harness, Fuel Pump	1
75.1	22-01585-00SV	Connector, 2-Wire	1
75.2	22-50078-64SV	Connector, 1-Wire	1
90	34-01153-35	Screw, Cap, Hex Head, M8 x 35mm, 1.378	1
93	34-01152-20	Screw, Cap, Hex Head, M6 x 20mm, 0.787	5
95	34-01184-58	Nut, Lock, M8 Nylock	3
97	34-01184-106	Nut, Lock, M6 Nylock	3
100	34-01322-00	Nut, Flanged, M5 x 0.8	2
105	34-01322-01	Nut, Flanged, M6 x 1.0	3
110	34-01153-20	Screw, Cap, Hex Head, M8 x 20mm, 0.787	1
120	34-60095-27	Washer, Lock, M6 x 14mm, OD	6
125	34-00372-123	Washer, Lock, M8, External Tooth	5
130	34-60002-08	Washer, M8 Belleville	6
133	34-00946-08	Nut, Hex, M8	1
135	34-00946-58	Nut, Hex, M8 - 1.25, 0.315	5
137	34-01197-10	Screw, Cap, Hex Head, M4 x 10mm, 0.394	2
138	34-60095-24	Washer, Lock, M4 x 10mm, OD	2
140	34-00366-12	Washer, Plain, 5/16	3
198	58-00079-00	Sta-Strap, Cable Clamp, 0 - 4.00 Diameter	4
210	44-01139-02	Clamp, Cable, 0.750 Diameter, Harness	6
225	58-05100-00	Sta-Strap	16
240	58-00079-02	Sta-Strap, Cable Clamp, 0 - 1.75 Diameter	15

Item Number	Part Number	Part Description	Quantity
241	58-00079-03	Sta-Strap, Cable Clamp, 0 - 1.75 Diameter with 3/16 Mounting Hole	4
242	58-04507-01	Holder, Wire Tie	8
248	34-00774-02	Rivet, Blind, 0.188 Diameter, 0.187 - 0.437	8
260	34-01234-01	Rivet, Blind, 0.188 Diameter, 0.137 - 0.354	1
265	34-06048-00	Rivet, 0.187 Diameter, 0.187 - 0.375	6
285	22-60001-00	Harness, Evaporator, Electric Drive	1
285.1	22-50078-01SV	Connector, 2-Wire	3
285.2	22-50078-08SV	Connector, 3-Wire	1
290	22-60889-00	Klixon Wire Assembly	1
290.1	12-00256-10	Thermostat, Defrost Termination, Klixon	1
290.2	22-02392-00SV	Connector, 2-Wire	1
315	44-60150-00	Clip, Harness Retainer,	1
320	44-60150-02	Clip, Harness Retainer	3
500	62-04170-00	Decal, Warning	1
520	34-00967-35	Screw, Cap, Hex Head, M6 x 35mm, 1.377	1
540	34-60201-03	Nut, Hex, M8	1
655	30-00006-00	Cable, Braided	1.33
660	30-00007-00	Terminal, Ring, 5/16 Stud, #6 AWG	4
665	34-00967-50	Screw, Hex Head, M6	2
666	58-05078-01	Sta-Strap, Dual Cable	4
667	58-01442-00	Sta-Strap, Edge Clip Mount	2
668	34-00945-06	Washer, Lock, M6 Spring	2
669	34-00944-06	Washer, Flat, M6	2
670	58-00836-19	Spacer, Nylon	2
Not Shown	34-00373-07	Clamp, Tube, 5/8 Diameter	1

Electrical Kit, Supra 760 with Standby

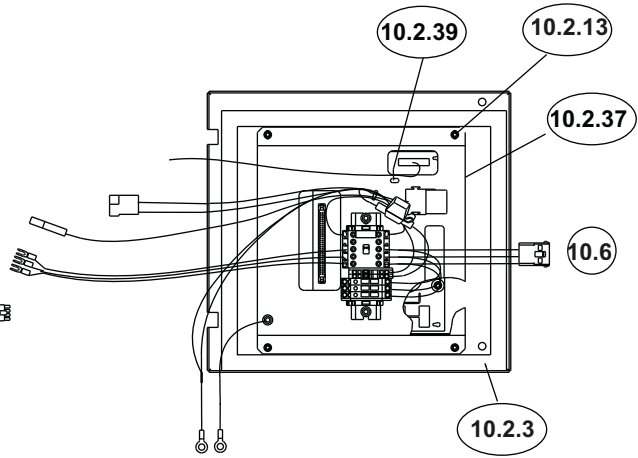
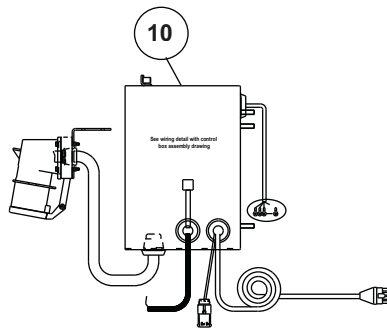


Electrical Kit, Supra 760 with Standby

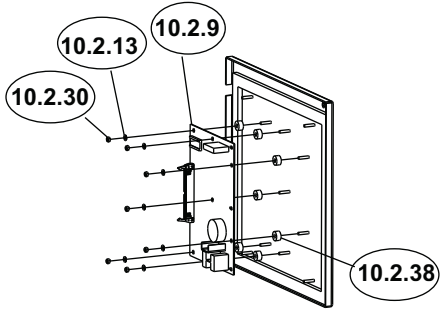
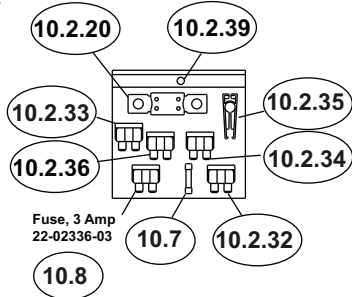


350 Micro Schematic Lamination

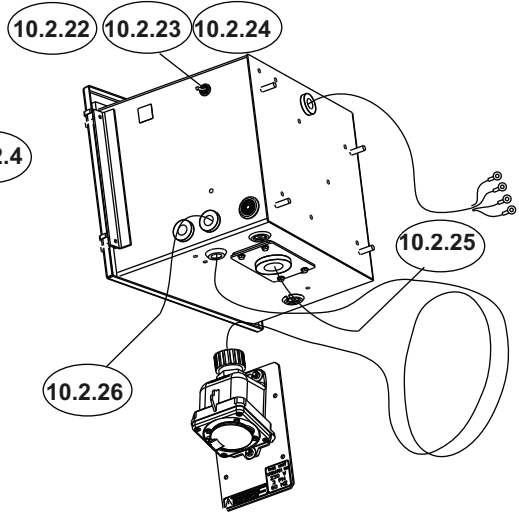
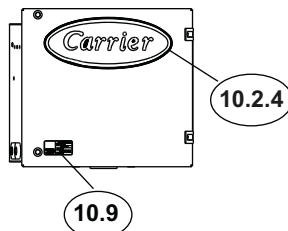
Electrical Kit, Supra 760 with Standby



Door Mounting with Electrical Heat

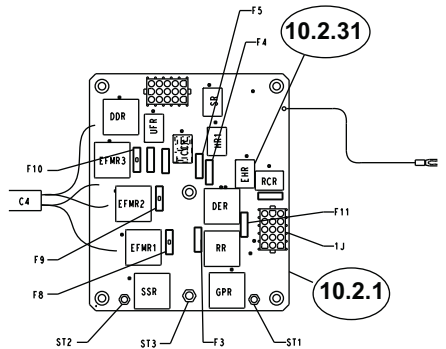
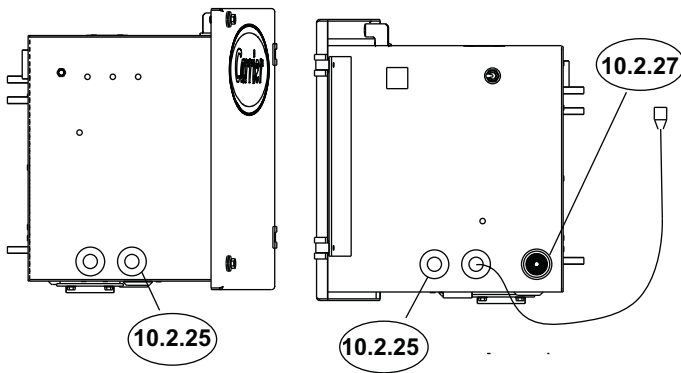


Mounting Logic Board



10.2.29 Nut, Lock M6

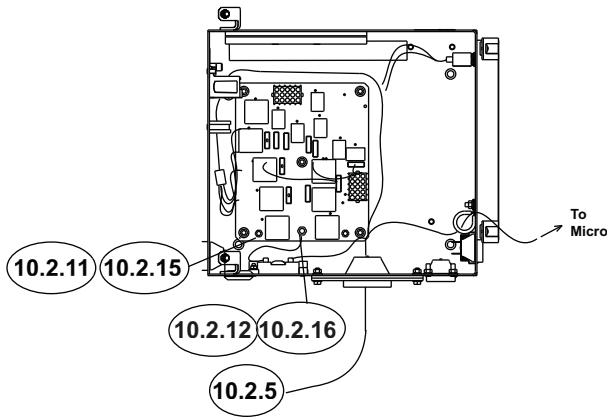
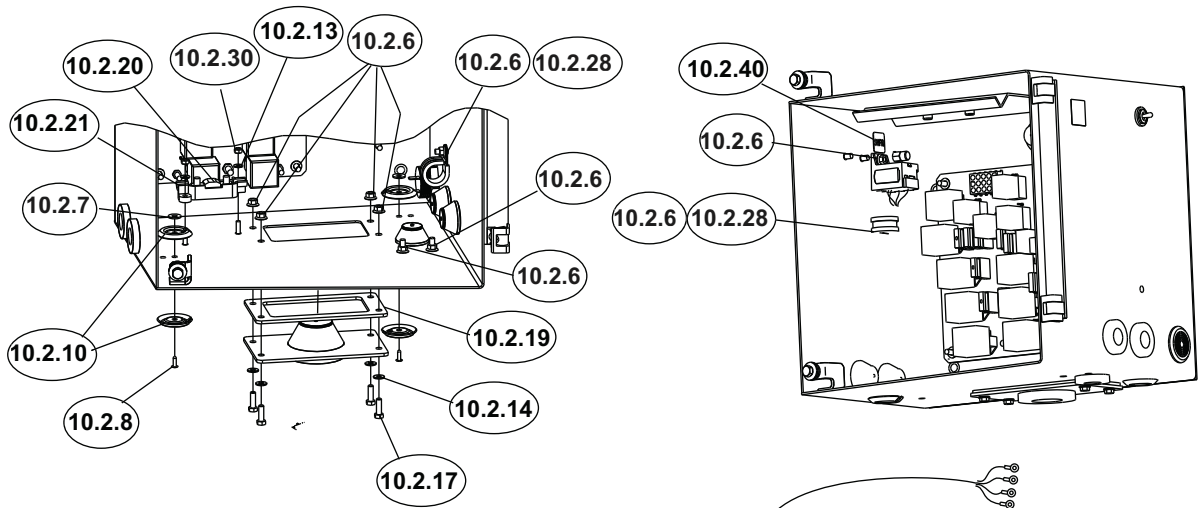
10.2.18



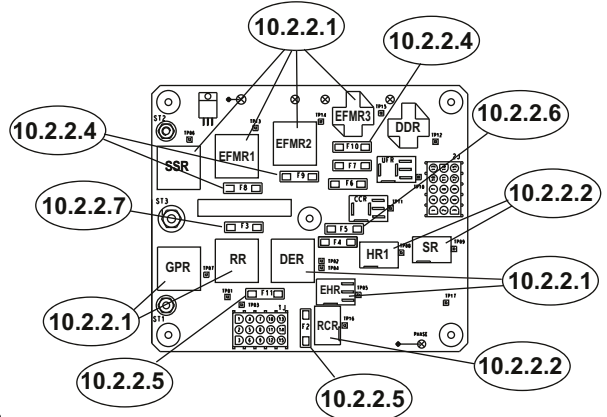
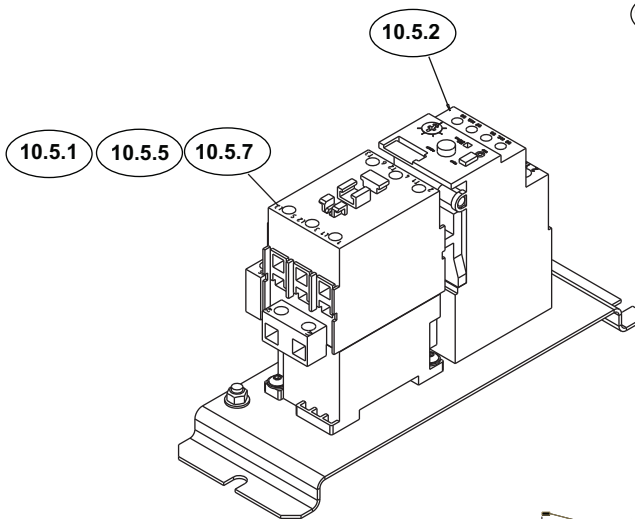
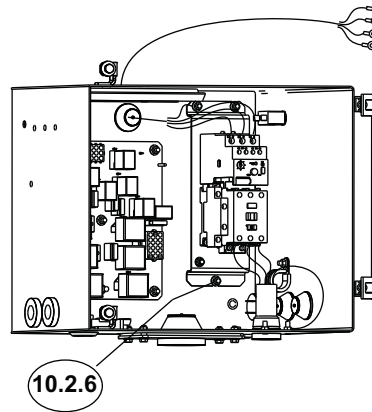
Relay Board Detail

10 Control Box Assembly

Electrical Kit, Supra 760 with Standby



Main Harness Routing



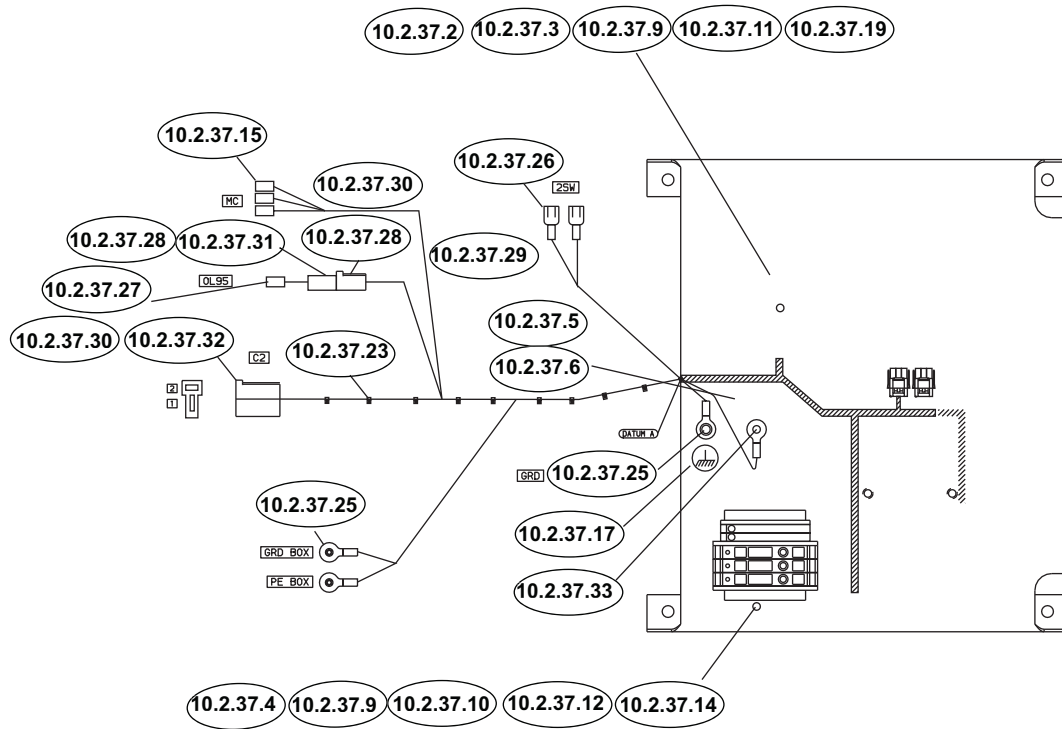
10.2.2.3 4-Pin Connector, C4

10.2.2 Relay and Fuse Circuit Board

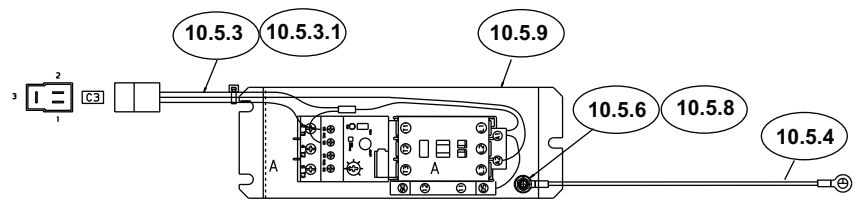


10.4 Cable Assembly, Standby Motor

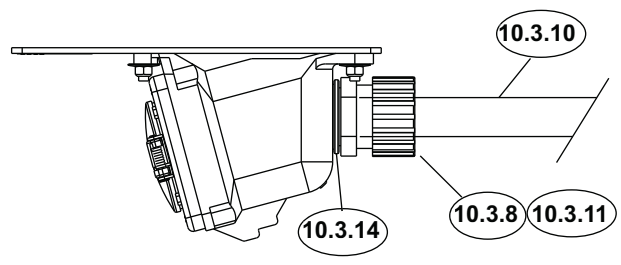
Electrical Kit, Supra 760 with Standby



10.2.37 Panel Assembly, EWHS

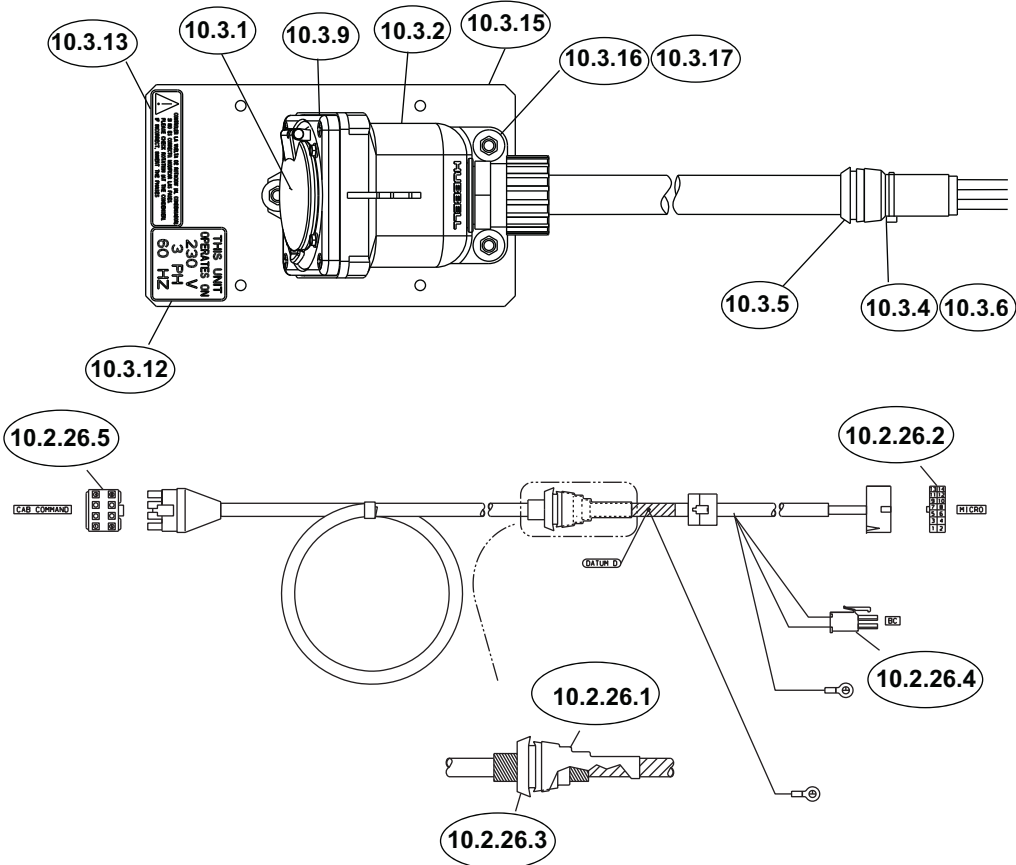


10.5 Panel Assembly

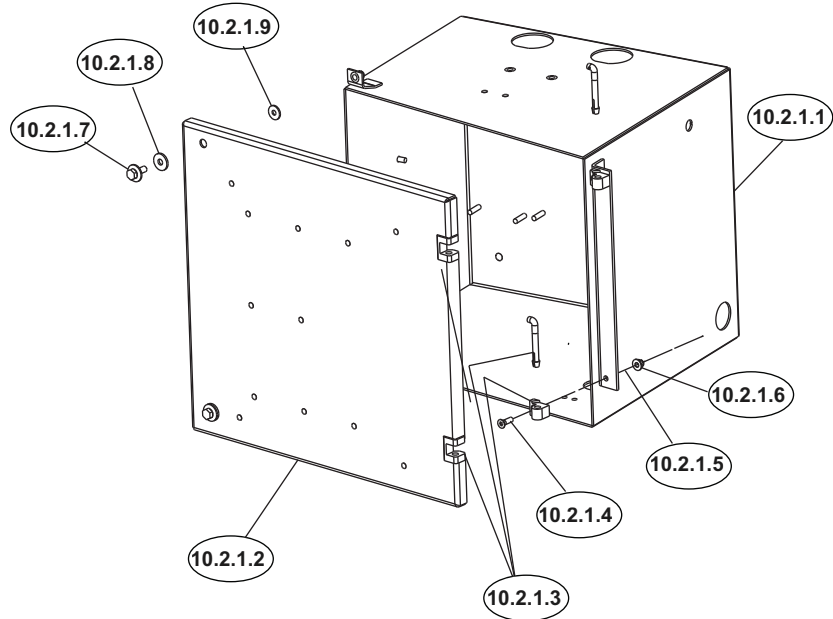


10.3 Box Assembly, Standby, 208-230V

Electrical Kit, Supra 760 with Standby



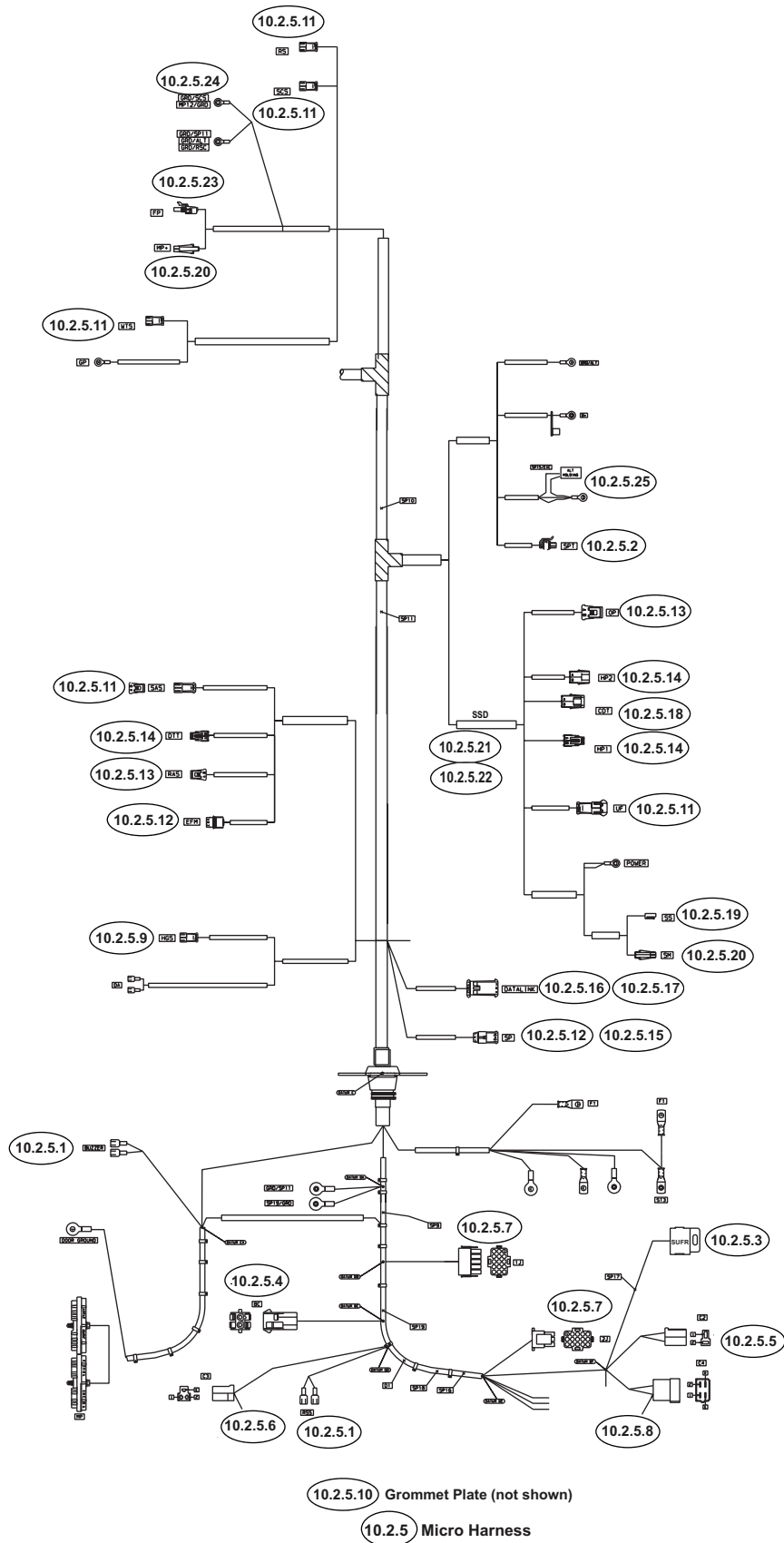
10.2.26 Cable Assembly, Cab Command



10.2.1 Control Box Assembly

10.2 Base, Supra, Standby

Electrical Kit, Supra 760 with Standby



Item Number	Part Number	Part Description	Quantity
		Electrical Kit, Supra 760 with Standby	
10	91-01190-49	Control Box, 208 - 230V, 3-Phase, EHS - Includes:	1
10.1	34-60089-05	Nut, Lock, M5, Twolock	4
10.2	91-01190-14	Base, Electric Heat - Includes:	1
10.2.1	79-02376-02	Box Assembly, Control Box - Includes:	1
10.2.1.1	86-03187-00	Control Box, Weld	1
10.2.1.2	68-08160-01	Door, Control Box	1
10.2.1.3	44-00356-00	Hinge, Two-Piece, Plastic	2
10.2.1.4	34-60236-16	Screw, M5 x 16mm, 0.62 Long	2
10.2.1.5	34-60235-00	Nut, Lock, M5	2
10.2.1.6	34-60068-20	Screw, Captive Washer, M6 x 20mm Long	2
10.2.1.7	58-60306-06	Washer, Nylon, M6 - 18	2
10.2.1.8	58-60306-05	Washer, Nylon, M5 - 15	2
10.2.2	12-00460-06	Circuit Board, Relay and Fuse - Includes:	1
10.2.2.1	10-00286-10	Relay, DER, EFMR1, EFMR2, EFMR3, GPR, RR, SSR	7
10.2.2.2	10-00385-04	Relay, HR1, RCR, SR	3
10.2.2.3	22-60254-08	Connector, 4-Pin, C4	1
10.2.2.4	22-02336-00	Fuse, 30A, F8, F9, F10	3
10.2.2.5	22-02336-02	Fuse, 5A, F2, F4, F11	3
10.2.2.6	22-02336-04	Fuse, 10A, F5	1
10.2.2.7	22-02336-06	Fuse, 15A, F3	1
10.2.3	42-00715-01	Gasket	1
10.2.4	62-11144-00	Decal, Carrier	1
10.2.5	22-03020-00	Harness, Micro - Includes:	1
10.2.5.1	22-50099-44	Connector, Female, 1-Pin, RSS, Buzzer	4
10.2.5.2	22-04187-10	Connector Assembly, Female, 3-Pin, SPT	1
10.2.5.3	22-50099-13	Receptacle, Relay, SUFR	1
10.2.5.4	22-60275-21	Connector, Female, 2-Pin, BC	1
10.2.5.5	22-60254-04	Connector, Male, 2-Pin, C2	1
10.2.5.6	22-60254-06	Connector, Male, 3-Pin, C3	1
10.2.5.7	22-60300-12	Connector, Male, 15-Pin, 2J, 1J	2
10.2.5.8	22-60254-09	Connector, Female, 4-Pin, C4	1
10.2.5.9	22-01613-02	Plug, 2-Socket, HGS	1
10.2.5.10	68-08126-00	Grommet Plate	1
10.2.5.11	22-50078-01	Connector, Male, 2-Pin, 3WV, SAS, UF, WTS, SCS, RS	6
10.2.5.12	22-50078-05	Connector, Female, 3-Pin, EFM, SP	2
10.2.5.13	22-50078-02	Connector, Female, 2-Pin, RAS, SAS, OP, UF	4
10.2.5.14	22-01585-00	Connector, Female, 2-Pin, DTT, HP2, HP1	3
10.2.5.15	22-50078-08	Connector, Male, 3-Pin, SP	1
10.2.5.16	22-02392-00	Connector, Male, 2-Pin, HP2, CDT	2
10.2.5.17	22-50098-06	Connector, Female, 1-Pin, SS	1
10.2.5.18	22-50078-64	Connector, Male, 1-Pin, SM, MP+	2
10.2.5.19	22-50078-07	Connector, Male, 1-Pin, SSD	1
10.2.5.20	22-50078-21	Connector, Female, 1-Pin, SSD	1
10.2.5.21	22-50078-63	Connector, Female, 1-Pin, FP	1
10.2.5.22	22-50099-01	Connector, 60-Pin, MP	1
10.2.5.23	12-60004-08	Diode/Resistor Module, Alternator	1

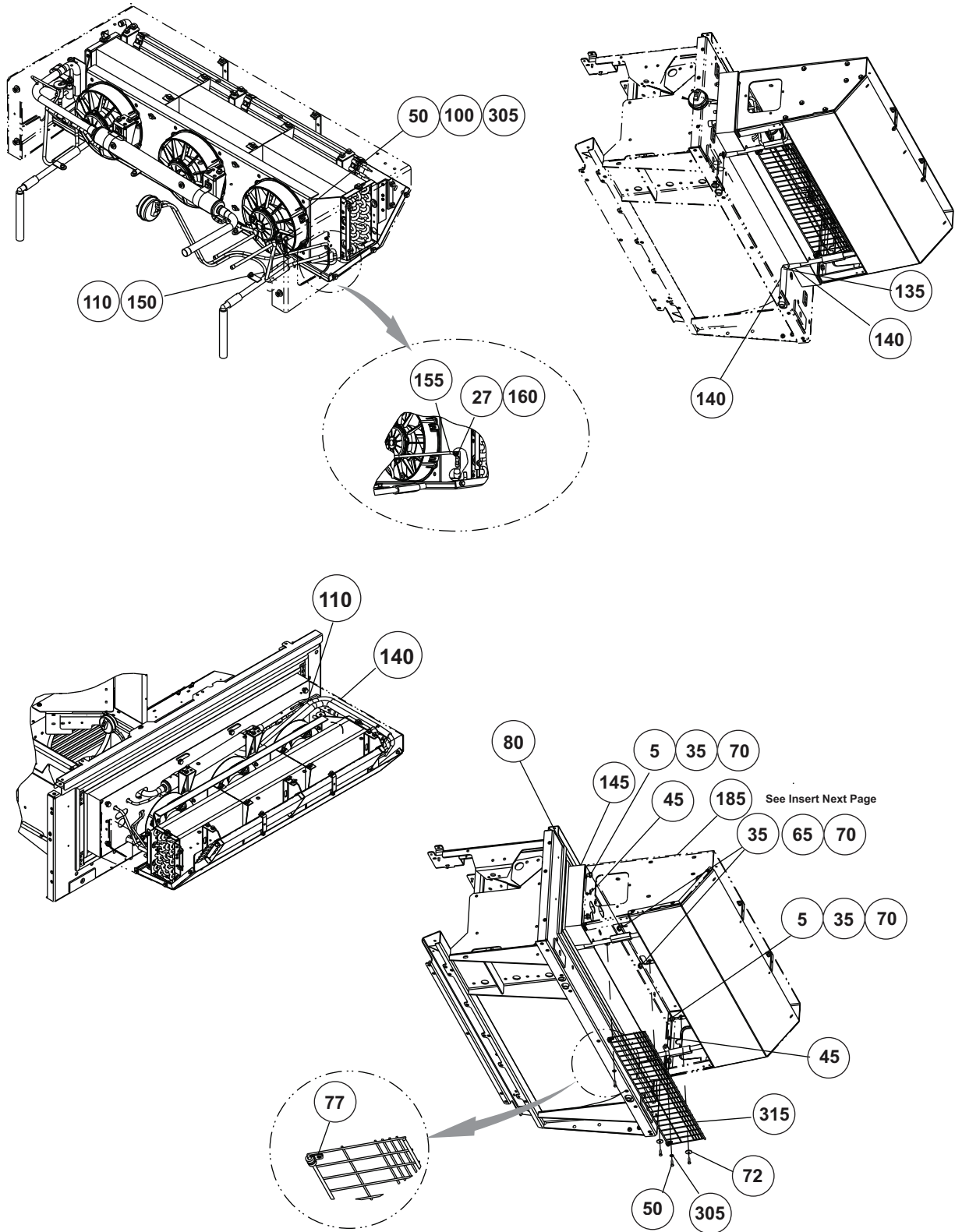
Item Number	Part Number	Part Description	Quantity
		Electrical Kit, Supra 760 with Standby (continued)	
10.2.6	34-60089-05	Nut, Lock, M5, Twolock	12
10.2.7	34-00366-09	Washer, Plain, 10	2
10.2.8	34-00774-04	Rivet, Blind, 0.188 Diameter, 0.250 - 0.500	2
10.2.9	12-00649-47	Logic Board	1
10.2.10	58-00660-00	Washer, Condensate Drain	4
10.2.11	34-00946-105	Nut, Hex, M5	2
10.2.12	34-00946-106	Nut, Hex, M6	1
10.2.13	34-01151-04	Washer, Flat, M4	13
10.2.14	34-01151-05	Washer, Flat, M5	4
10.2.15	34-01327-05	Washer, Lock, M5, Spring	2
10.2.16	34-01327-06	Washer, Lock, M6, Spring	1
10.2.17	34-60000-16	Screw, Machine, Hex Head, M5 x 16mm, 0.630	4
10.2.18	62-61363-00	Label, Adhesive, On-Off	1
10.2.19	42-60082-00	Gasket, Control Box	1
10.2.20	22-60340-04	Fuse, Midifuse, 80A, F1	2
10.2.21	22-60599-00	Fuse Holder, Midival	1
10.2.22	10-01129-15	Switch, Toggle, 1-Pole, Off/On	1
10.2.23	42-00583-00	Seal, Panel Bushing	1
10.2.24	58-60306-13	Washer, Nylon, M12 x 2.4 Thick x 19 OD	1
10.2.25	58-04842-04	Grommet	3
10.2.26	22-02964-00	Cable Assembly, Cab Command, 10M - Includes:	1
10.2.26.1	22-50422-00	Connector, Female, 8-Pin	1
10.2.26.2	NSS	Connector, 14-Pin, Micro	1
10.2.26.3	58-04842-04	Grommet	1
10.2.26.4	22-60275-11	Connector, Male, 2-Pin, BC	1
10.2.26.5	22-50213-00	Connector, Male, 8-Pin, Cab Command	2
10.2.27	10-00375-02	Buzzer, Warning	1
10.2.28	44-60044-09	Clamp, 3/4 Cushion	2
10.2.29	34-60089-06	Nut, Lock, M6	1
10.2.30	34-01184-04	Nut, Lock, M4, Nylock	13
10.2.31	10-00385-02	Relay	1
10.2.32	22-02336-02	Fuse, 5A, F2, F4, F6, F11	3
10.2.33	22-02336-06	Fuse, 15A, F3, F7	1
10.2.34	22-02336-01	Fuse, 30A, F8, F9, F10	3
10.2.35	22-02336-50	Fuse, Removal Tool	1
10.2.36	22-02336-04	Fuse, 10A, F5	1
10.2.37	91-60221-05	Panel Assembly, EWHS - Includes:	1
10.2.37.1	68-08178-01	Bracket, Control Box	1
10.2.37.2	10-00286-04	Relay, 12 VDC	1
10.2.37.3	10-00302-00	Receptacle, Relay	1
10.2.37.4	22-60505-00	Junction Block, EWHS	1
10.2.37.5	22-02338-03	Fuse Holder, 14 AWG, Mini Fuse	1
10.2.37.6	22-02336-03	Fuse, 3A	1
10.2.37.7	10-00471-01	Contact, 100 - K09, 7.5 to 15V	1
10.2.37.8	10-00471-99	Diode Assembly, 100 - KFSD 250M	1
10.2.37.9	34-01184-54	Nut, Lock, M4 Nylock	3

Item Number	Part Number	Part Description	Quantity
		Electrical Kit, Supra 760 with Standby (continued)	
10.2.37.10	34-60002-04	Washer, M4 Belleville	2
10.2.37.11	34-01197-12	Screw, Cap, Hex Head, M4 x 12mm, 0.472	1
10.2.37.12	34-01197-16	Screw, Cap, Hex Head, M4 x 16mm, 0.625	2
10.2.37.13	22-50098-03A	Terminal, Female, 16 - 18, AWG	5
10.2.37.14	22-60241-03	Terminal, Pin, 1.5mm Wire	3
10.2.37.15	22-60370-04	Splice, for 1.5 to 2.5mm	8
10.2.37.16	22-60370-09	Splice, for 2.5 to 4mm	3
10.2.37.17	62-60226-00	Decal, Ground	1
10.2.37.18	62-60785-00	Decal, EWHS	1
10.2.37.19	22-60300-01	Connector, Female, 3W, Mat-N-Lock	2
10.2.37.20	22-60300-22	Terminal, Male, Mat-N-Lock	6
10.2.37.21	62-60302-00	Decal, Voltage, 230V	1
10.2.37.22	62-60303-00	Decal, Voltage, 400V	1
10.2.37.23	44-60024-01	Sta-Strap, 0 - 21mm Diameter, Bundle	10
10.2.37.24	22-60263-07	Splice, 7.5mm, 2 to 12mm, 2	1
10.2.37.25	22-60245-09	Terminal, Ring, ID 6, AWG, 1.5 to 2.5	3
10.2.37.26	22-60248-07	Terminal, Female, 6.35 for 1.5 to 2.5	2
10.2.37.27	22-60370-00	Splice, for 0.5 to 1.5	1
10.2.37.28	22-60254-00	Connector, Male, Amp, Faston, 1W	2
10.2.37.29	22-60254-01	Connector, Female, Amp, Faston, 1W	1
10.2.37.30	22-60254-29	Terminal, Male, 0.25, 20 - 16, GA	2
10.2.37.31	22-60254-26	Terminal, Female, 6.3 for .5 to 1.5mm	1
10.2.37.32	22-60254-05	Connector, Female, Amp, Faston, 2W	1
10.2.37.33	22-60245-07	Terminal, Ring, ID 4, AWG, 1.5 to 2.5	1
10.2.37.34	66-U---1--6651-7	Screw, Machine, Pin Head, 8 - 32 x 3/8 Long	4
10.2.37.35	34-00372-120	Washer, Lock, M4 External Tooth	4
10.2.38	58-00836-18	Spacer, Nylon	7
10.2.39	58-00079-02	Sta-Strap, 0 - 1.75 Diameter, Cable	3
10.2.40	62-60223-28	Decal, SUFR	1
10.3	91-01186-00	Box Assembly, Standby, 208-230V - Includes:	1
10.3.1	22-02955-00	Receptacle, 230V, 50A, 3-Phase	1
10.3.2	22-02937-00	Box, Conduit	1
10.3.3	22-02324-11	Bushing, 0.138 ID x 0.709, 10 AWG	7
10.3.4	22-04183-01	Heat Shrink, 1.00 ID, Black	1
10.3.5	58-60298-03	Grommet, Tap	1
10.3.6	58-00079-02	Sta-Strap, 0 - 1.75 Diameter Cable	1
10.3.7	22-50122-42	Terminal, Ring, 10, AWG, 10 - 12 Gauge	1
10.3.8	22-02343-05	Connector, 1 NPT, Yellow Ring	1
10.3.9	22-02954-00	Adapter, Receptacle, Inlet	1
10.3.10	22-66654-00	Cable, 10/4, SO, Yellow, 90°C	16.88
10.3.11	34-06136-02	Nut, Lock, 1.00 NPT	1
10.3.12	62-02255-00	Decal, Voltage, 230 Volts	1
10.3.13	62-03914-00	Decal, Check Rotation	1
10.3.14	66-U---1--1251-3	O-Ring, 1.00, Hub Sealing	1
10.3.15	68-08332-01	Bracket	1
10.3.16	34-60002-56	Washer, M6, Belleville	3
10.3.17	34-01184-06	Nut, Lock, M6, Nylock	3

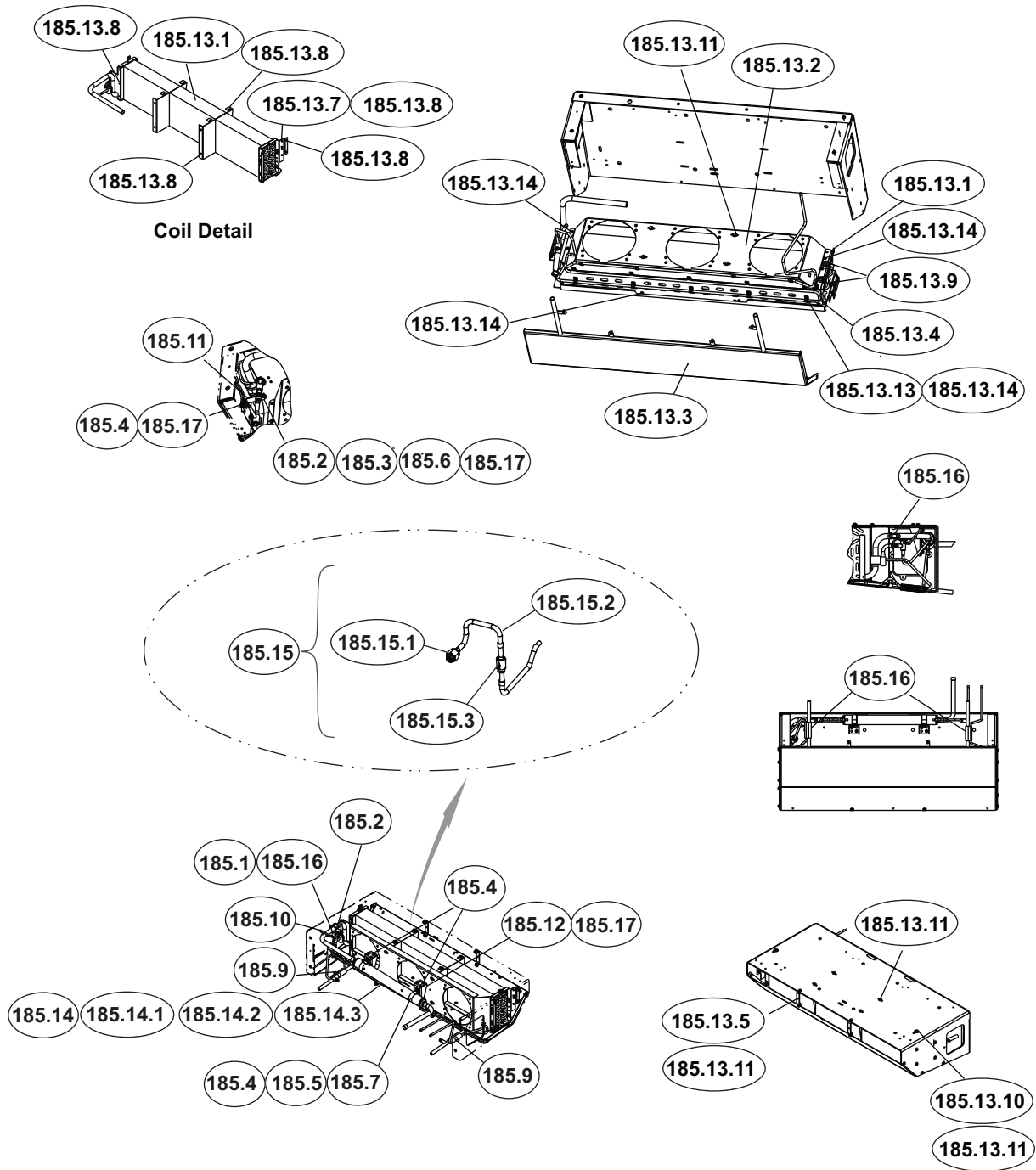
Item Number	Part Number	Part Description	Quantity
		Electrical Kit, Supra 760 with Standby (continued)	
10.4	22-02965-01	Cable Assembly, Standby, Motor	1
10.5	91-01185-02	Panel Assembly, Standby - Includes:	1
10.5.1	10-00433-00	Contactor, 30A	1
10.5.2	10-00473-05	Overload, 5.4 to 27A	1
10.5.3	22-02952-01	Harness, MC/OL, Control - Includes:	1
10.5.3.1	22-60254-07	Connector, 3-Pin, C3	1
10.5.4	22-02953-00	Wire, Ground	1
10.5.5	34-06330-12	Screw, M4 x 12LG, Socket, HD	2
10.5.6	34-01184-05	Nut, Lock, M5, Nylock	1
10.5.7	34-00944-04	Washer, Flat, M4	2
10.5.8	34-00944-05	Washer, M5, Flat	1
10.5.9	68-08383-00	Panel Assembly, Standby	1
10.6	22-60241-03	Terminal, Pin, 1.5mm, Wire	1
10.7	22-60102-08	Fuse, 5 x 20, 4A, 600V	3
10.8	22-60102-07	Fuse, 5 x 20, 6.3A, 250V	6
10.9	62-04152-01	Decal, Warning, High Voltage	1
30	12-00325-02	Cab Command, Micro Control	1
35	22-60030-00	Harness, Info-Start - Includes:	1
35.1	22-50078-63SV	Connector, 1-Wire	1
37	22-02907-00	Harness	1
40	22-02973-05	Harness Assembly, RAS - Includes:	1
40.1	12-00500-04	Sensor, Thermistor	1
40.2	22-50078-01SV	Connector, 2-Wire	1
50	22-60350-00	Cable, Positive, Red x 9200mm Long	1
55	22-60350-01	Cable, Battery, Negative, Black x 8000mm Long	1
62	22-02983-02	Harness, Alt. B+	1
75	22-02979-02	Harness, Fuel Pump - Includes:	1
75.1	22-01585-00SV	Connector, 2-Wire	1
75.2	22-50078-64SV	Connector, 1-Wire	1
90	34-01153-35	Screw, Cap, Hex Head, M8 x 35mm, 1.378	1
93	34-01152-20	Screw, Cap, Hex Head, M6 x 20mm, 0.787	4
95	34-01184-58	Nut, Lock, M8 Nylock	5
97	34-01184-106	Nut, Lock, M6 Nylock	3
100	34-01322-00	Nut, Flanged	2
105	34-01322-01	Nut, Flanged	1
110	34-01153-20	Screw, Cap, Hex Head, M8 x 20mm, 0.787	1
120	34-60095-27	Washer, Lock, M6 x 14mm, OD	6
125	34-00372-123	Washer, Lock, M8, External Tooth	5
130	34-60002-08	Washer, M8 Belleville	6
133	34-00946-08	Nut, Hex, M8	1
135	34-00946-58	Nut, Hex, M8 - 1.25, 0.315	1
137	34-01197-10	Screw, Cap, Hex Head, M4 x 10mm, 0.394	2
138	34-60095-24	Washer, Lock, M4 x 10mm, OD	2
140	34-00366-12	Washer, Plain, 5/16	3
198	58-00079-00	Sta-Strap, Cable Clamp, 0 - 4.00 Diameter, Cable	4
210	44-01139-02	Clamp, Cable, 0.750 Diameter, Harness	6

Item Number	Part Number	Part Description	Quantity
		Electrical Kit, Supra 760 with Standby (continued)	
220	34-00373-03	Clamp, Tube, 0.38 Diameter, Cushioned	2
240	58-00079-02	Sta-Strap, Cable Clamp, 0 - 1.75 Diameter	22
242	58-04507-01	Holder, Wire Tie	13
244	42-00258-11	Gasket, Rear Wall, Pod	2
248	34-00774-02	Rivet, Blind, 0.188 Diameter, 0.187 - 0.437	13
250	34-01152-35	Screw, Cap, Hex Head, M6 x 35mm, 1.378	2
260	34-01234-01	Rivet, Blind, 0.188 Diameter, 0.137 - 0.354	1
265	34-06048-00	Rivet, 0.187 Diameter, 0.187 - 0.375	6
285	22-60001-00	Harness, Evaporator, Electric Drive - Includes:	1
285.1	22-50078-01SV	Connector, 2-Wire	3
285.2	22-50078-08SV	Connector, 3-Wire	1
290	22-60889-00	Harness, Klixon - Includes:	1
290.1	12-00256-10	Thermostat, Defrost Termination, Klixon	1
290.2	22-02392-00SV	Connector, 2-Wire	1
320	58-00065-51	Grommet, 7/8 ID	1
350	62-61492-00	Lamination, Schematic Micro, WHS	1
500	62-04170-00	Decal, Warning	1
520	34-00967-35	Screw, Cap, Hex Head, M6 x 35mm, 1.377	1
530	44-01143-03	Clamp, Tube, 1/2, 1/2 Diameter, Multiple	1
540	34-60201-03	Nut, Hex, M8	41
655	30-00006-00	Cable, Braided	1.33
660	30-00007-00	Terminal, Ring, 5/16 Stud, #6 AWG	4

Evaporator Kit - Supra 560, 660, 760 without Standby



Evaporator Kit - Supra 560, 660 and 760 without Standby

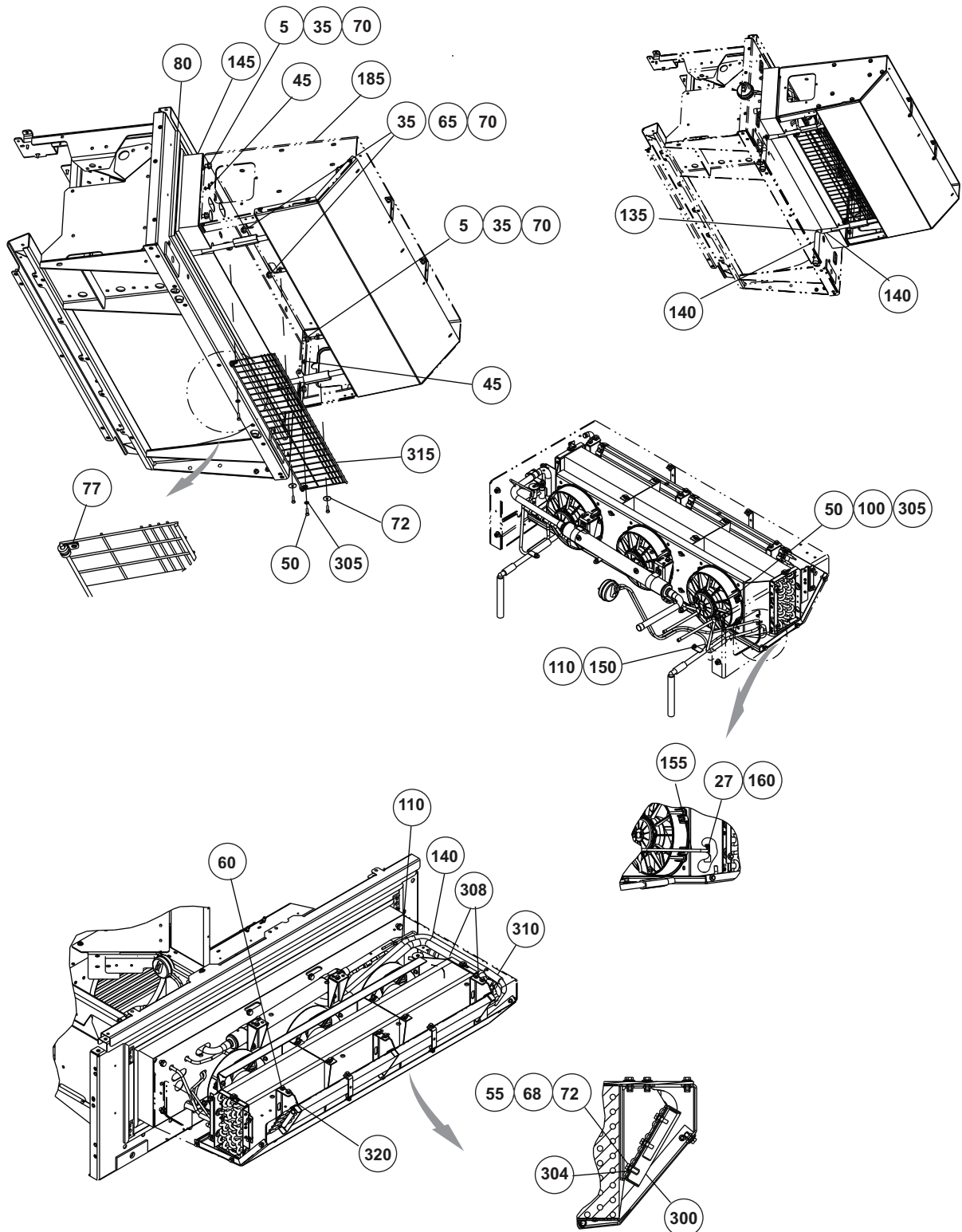


- (185.8) Sta-Strap, Cable Clamp (Not shown)
- (185.13.6) Insulation, Prestite (Not shown)
- (185.13.12) Clamp, Banding, TXV Bulb Strap (Not shown)
- (185) (185.13) Evaporator Assembly

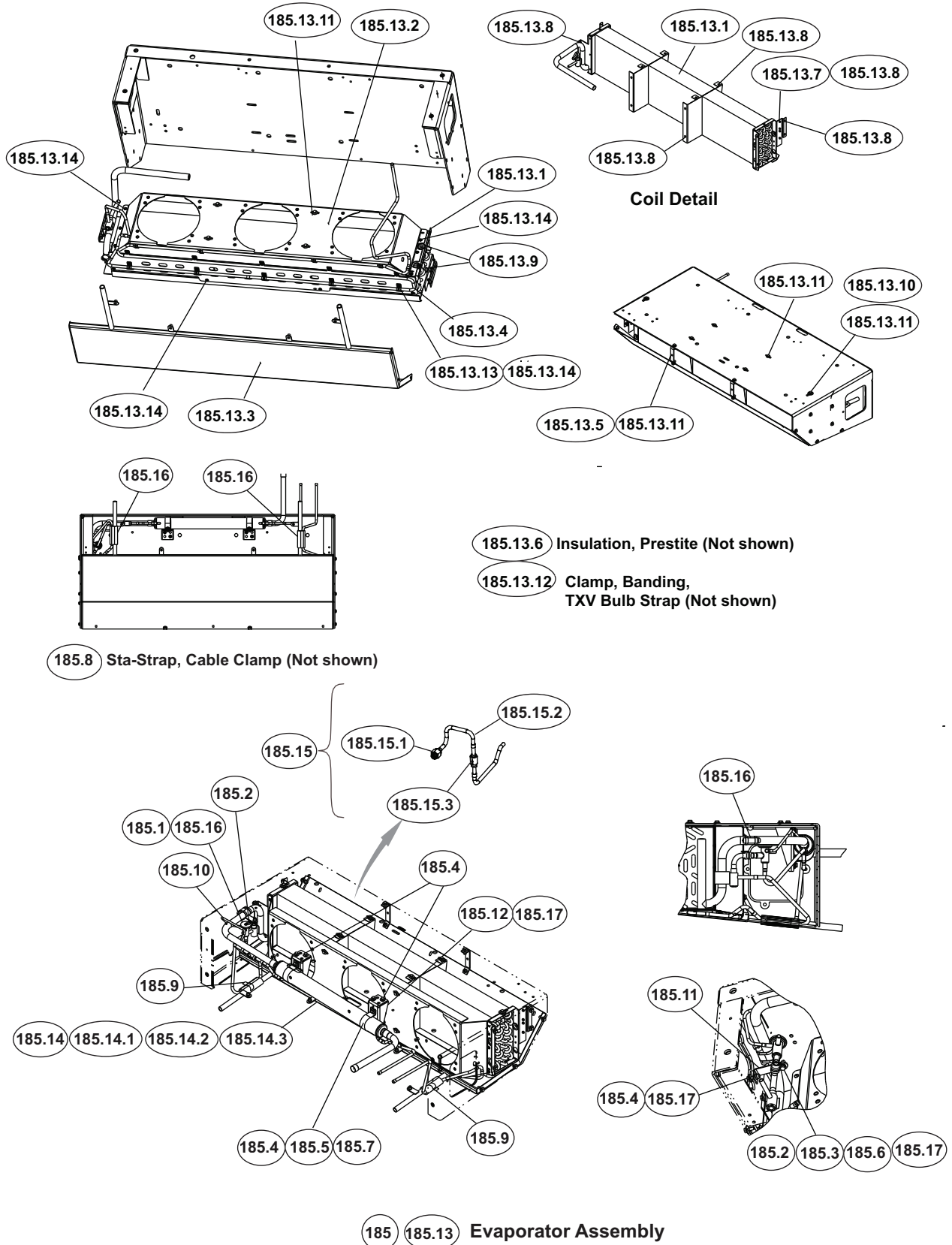
Item Number	Part Number	Part Description	Quantity
	77-00319-00	Evaporator Kit for Supra 560 without Standby - Includes:	
	77-00319-01	Evaporator Kit for Supra 660 without Standby - Includes:	
	77-00319-02	Evaporator Kit for Supra 760 without Standby - Includes:	
5	34-01261-10120	Screw, Cap, Hex Head, M10 x 120mm, 4.724	4
27	34-00928-13	Rivet, Blind, 0.187 Diameter, 0.126 - 0.250	1
35	34-01184-10	Nut, Lock, M10 Nylock	6
45	34-06048-00	Rivet, 0.187 Diameter, 0.187 - 0.375	2
50	34-01152-20	Screw, Cap, Hex Head, M6 x 20mm, 0.787	16
65	34-01261-10110	Screw, Cap, Hex Head, M10 x 110mm, 4.331	2
70	66-U-1-5321-17	Washer, Flat, M10	12
72	34-00662-20	Washer, Plain, 0.281 ID x 1.00 OD	2
77	34-00373-51	Clamp, Tube, 0.25 Diameter, Cushioned	2
80	42-01216-03	Gasket, Evaporator (Supra 560 only)	1
	42-01216-00	Gasket, Evaporator (Supra 660 and 760 only)	
100	54-00650-00	Fan, Motor Assembly, 12V	3
110	58-00079-00	Sta-Strap, Cable Clamp, 0 - 4.00 Diameter	4
135	58-01296-00	Elbow, Male, Barbed	2
140	58-00529-00	Hose, 1-Ply, 5/8 ID	1.8333
145	58-60228-00	Bulkhead, Evaporator	1
150	22-01100-00	Tube, Vinyl, 3/16 ID x 0.06 W	2.4
155	58-01149-00	Tube, Red, Vinyl, Purchase Length	2.4
160	58-60297-00	Fitting, Air Sensing (Supra 560 only)	1
		Fitting, Air Sensing (Supra 660 and 760 only)	
185	79-02391-00	Evaporator Assembly, Supra 560 without Standby	1
	79-02391-01	Evaporator Assembly, Supra 660 without Standby	
	79-02391-02	Evaporator Assembly, Supra 760 without Standby	
305	34-60095-27	Washer, Lock, M6 x 14mm OD	14
315	73-00342-00	Grille, Evaporator	1

NOTE: Parts on this page are used on all three models (560, 660, 760) except where otherwise marked.

Evaporator Kit, Supra 660 with Standby



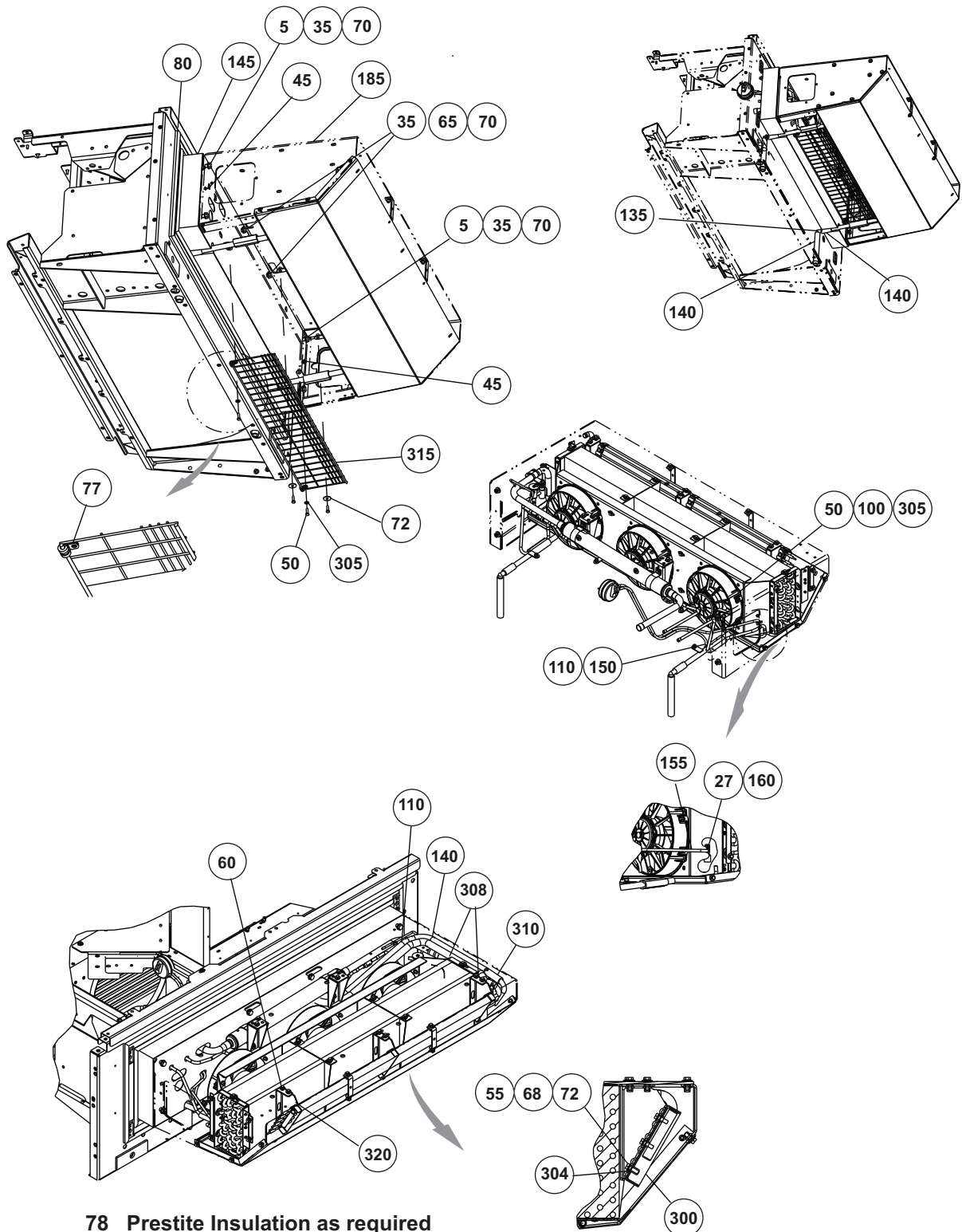
Evaporator Kit, Supra 660 with Standby



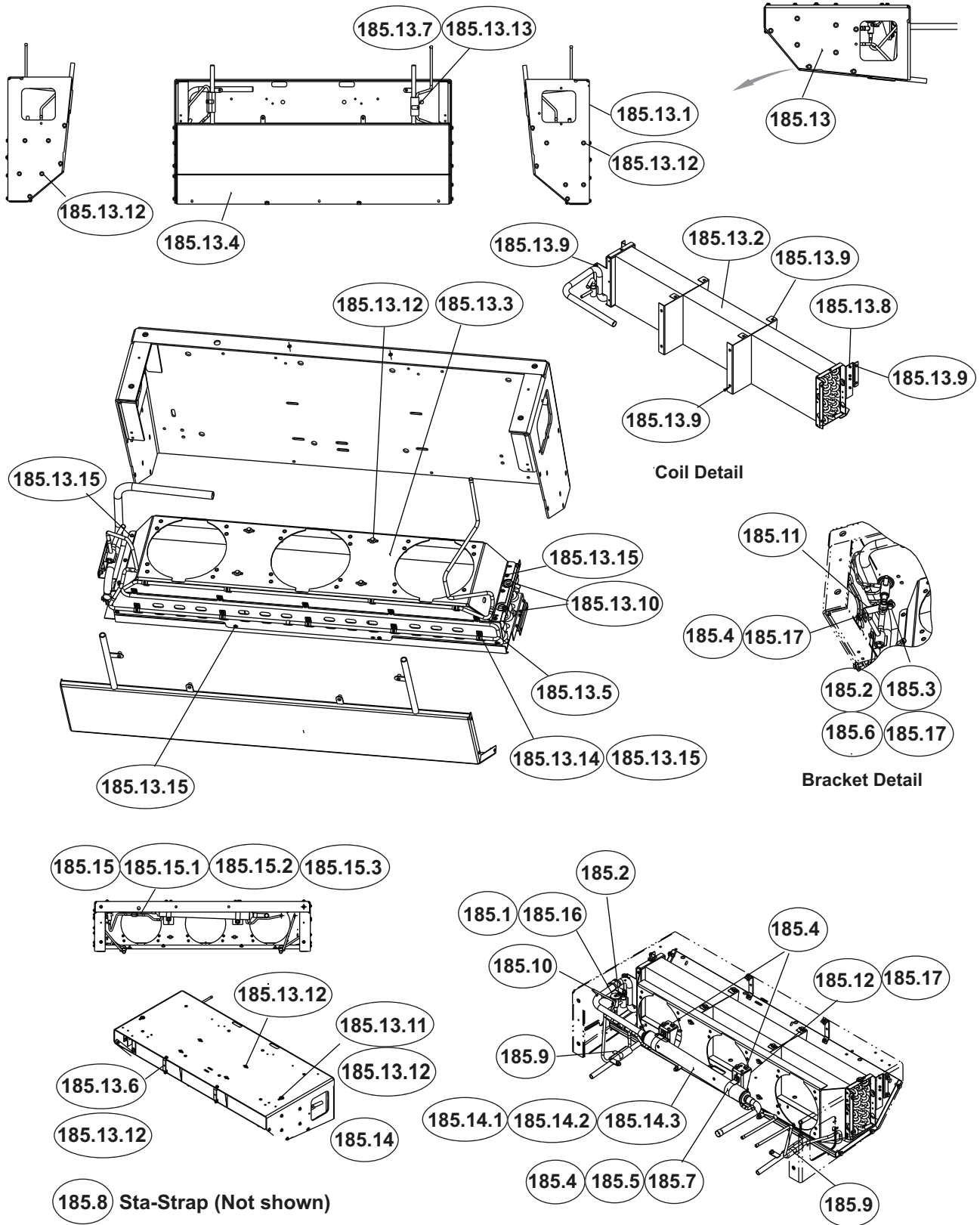
Item Number	Part Number	Part Description	Quantity
		Evaporator Kit, Supra 660 with Standby	
5	34-01261-10120	Screw, Cap, Hex Head, M10 x 120mm, 4.724	4
27	34-00928-13	Rivet, Blind, 0.187 Diameter, 0.126-0.250	1
35	34-01184-10	Nut, Lock, M10 Nylock	6
45	34-06048-00	Rivet, 0.187 Diameter, 0.187-0.375	2
50	34-01152-20	Screw, Cap, Hex Head, M6 x 20mm, 0.787	22
55	34-01336-25	Screw, Cap, Hex Head, M6 x 25mm	9
60	34-60068-20	Screw, Captive Washer, M6 x 20mm Long	6
65	34-01261-10110	Screw, Cap, Hex Head, M10 x 110mm, 4.331	2
68	34-01151-06	Washer, Flat, M6	9
70	66-U--1--5321-17	Washer, Flat, 3/8	12
72	34-00662-20	Washer, Plain, 0.281 ID x 1.00 OD	2
75	34-00663-11	Washer, Lock, 1/4	9
77	34-00373-51	Clamp, Tube, 0.25 Diameter, Cushioned	2
80	42-01216-00	Gasket, Evaporator, Bulkhead	1
100	54-00650-00	Fan, Motor Assembly, 12V	3
110	58-00079-02	Sta-Strap, Cable Clamp, 0-1.75 Diameter	6
135	58-01296-00	Elbow, Male, Barbed	2
140	58-00529-00	Hose, 1-Ply, 5/8 ID	11.8333
145	58-60228-00	Bulkhead, Evaporator	1
150	22-01100-00	Tube, Vinyl, 3/16 ID x 0.06 W	2.4
155	58-01149-00	Tube, Red	2.4
160	58-60297-00	Fitting, Air Sensing	1
185	79-02391-02	Evaporator Assembly, TDB/S-650, NAO - Includes:	1
185.1	14-00273-12	Valve, Expansion, Hermetic Liquid	1
185.2	34-00373-05	Clamp, Tube, 0.50 Diameter, Cushioned	1
185.3	34-01152-20	Screw, Cap, Hex Head, M6 x 20mm, 0.787	1
185.4	34-60068-20	Screw, Captive, Washer M6 x 20mm Long	9
185.5	34-01184-06	Nut, Lock, M6 Nylock	4
185.6	34-60095-27	Washer, Lock, M6 x 14mm OD	1
185.7	34-60095-46	Washer, Lock, M6 x 18mm OD	4
185.8	58-00079-02	Sta-Strap, Cable Clamp, 0-1.75 Diameter	2
185.9	34-00558-09	Strap, Cable, 2.12 Diameter	2
185.10	56-03990-00	Tube, Equalizer, 1/4 OD x 0.028W, Copper	1
185.11	68-08306-00	Angle, 0.090 Thick, Aluminum	1
185.12	86-02960-00	Bracket, Heat Exchanger	2
185.13	79-02390-02	Evaporator Assembly, TDB/S-650 NAO	1
185.13.1	08-01065-00	Coil, Evaporator, TDB/S-6 NAO	1
185.13.2	86-03041-01	Fan Deck, TDB/S, Weldment	1
185.13.3	86-03162-00	Drain Pan Assembly, Supra, 5/6/750	1
185.13.4	81-02693-00	Tube Assembly, Serpentine	1
185.13.5	67-01009-00	Bracket, 0.125 Thick, Aluminum	2
185.13.6	42-00032-00	Insulation, Prestite	1
185.13.7	34-06051-130	Rivnut, M4	4
185.13.8	34-06051-200	Rivnut, M6	18
185.13.9	58-00065-66	Grommet, 0.56 ID x .81 OD	2
185.13.10	34-00662-20	Washer, Plain, 0.281 ID x 1.00 OD	2

Item Number	Part Number	Part Description	Quantity
		Evaporator Kit, Supra 660 with Standby (continued)	
185.13.11	34-60068-20	Screw, Captive Washer, M6 x 20mm Long	28
185.13.12	44-01142-00	Clamp, Banding, TXV Bulb Strap	1
185.13.13	44-01162-00	Clip, Retaining, 0.38 Diameter	14
185.13.14	34-00928-13	Rivet, Blind, 0.187 Diameter, 0.126-0.250	24
185.14	81-02650-01	Tube Assembly, Heat Exchanger	1
185.14.1	08-60036-00	Heat Exchanger	1
185.14.2	56-60383-03	Tube, 7/8 x 0.045W, Copper	1
185.14.3	56-03896-00	Tube, 3/8 x 0.028W, Copper	1
185.15	81-60354-02	Liquid Line Assembly, Supra, 5, 6, 7Xx	1
185.15.1	56-03897-00	Tube, Liquid, 3/8 x 0.028W, Copper	1
185.15.2	14-00181-07	Check Valve, Solder, 3/8 ODF	1
185.15.3	56-03994-00	Tube, Liquid, 3/8 x 0.028W, Copper	1
185.16	42-00032-09	Insulation, Prestite	1
185.17	34-06051-200	Rivnut, M6	6
300	08-01060-00	Coil, Heater	1
304	34-06051-200	Rivnut, M6	9
305	34-60095-27	Washer, Lock, M6 x 14mm, OD	14
308	42-00183-22	Trim, Flexible, Fine, Pebble Black	0.2083
310	44-00045-02	Clamp, Hose, 0.69-1.25, Worm Type	2
315	73-00342-00	Grille, Evaporator	1
320	86-03053-00	Bracket Assembly, Heater	3

Evaporator Kit, Supra 760 with Standby



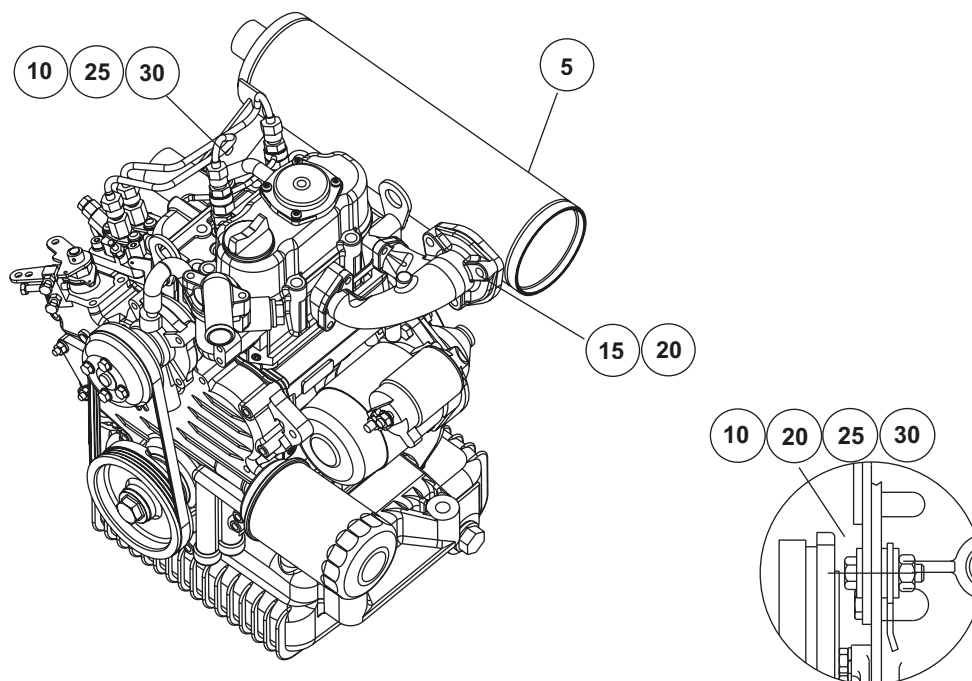
Evaporator Kit, Supra 760 with Standby



Item Number	Part Number	Part Description	Quantity
		Evapoator Kit, Supra 760 with Standby - Includes:	
5	34-01261-10120	Screw, Cap, Hex Head, M10 x 120mm, 4.724	4
27	34-00928-13	Rivet, Blind, 0.187 Diameter, 0.126-0.250	1
35	34-01184-10	Nut, Lock, M10 Nylock	6
45	34-06048-00	Rivet, 0.187 Diameter, 0.187-0.375	2
50	34-01152-20	Screw, Cap, Hex Head, M6 x 20mm, 0.787	22
55	34-01336-25	Screw, Cap, Hex Head, M6 x 25mm	9
60	34-60068-20	Screw, Captive Washer, M6 x 20mm Long	6
65	34-01261-10110	Screw, Cap, Hex Head, M10 x 110mm, 4.331	2
68	34-01151-06	Washer, Flat, M6	9
70	66-U---1--5321-17	Washer, Flat, 3/8	12
72	34-00662-20	Washer, Plain, 0.281 ID x 1.00 OD	2
75	34-00663-11	Washer, Lock, 1/4	9
77	34-00373-51	Clamp, Tube, 0.25 Diameter, Cushioned	2
78	42-00032-00	Insulation, Prestite	4.67
80	42-01216-00	Gasket, Evaporator	1
100	54-00650-00	Fan Motor Assembly	3
110	58-00079-02	Sta-Strap, Cable Clamp, 0-1.75 Diameter	6
135	58-01296-00	Elbow, Male, Barbed	2
140	58-00529-00	Hose, 1-Ply 5/8 ID	11.8333
145	58-60228-00	Bulkhead, Evaporator	1
150	22-01100-00	Tube, Vinyl, 3/16 ID x 0.06 W	2.4
155	58-01149-00	Tube, Red, Vinyl Purchase Length	2.4
160	58-60297-00	Fitting, Air Sensing	1
185	79-02391-01	Evaporator Assembly - Includes:	1
185.1	14-00273-13	Valve, Expansion, Hermetic, Liquid	1
185.2	34-00373-05	Clamp, Tube, .50 Diameter Cushion	1
185.3	34-01152-20	Screw, Cap Hex Head M6 x 20mm (.787)	1
185.4	34-60068-20	Screw, Captive Washer, M6 x 20mm	9
185.5	34-01184-06	Nut, Lock, M6 Nylock	4
185.6	34-60095-27	Washer, Lock, M6 x 14mm OD	1
185.7	34-60095-46	Washer, Lock, M6 x 18mm OD	4
185.8	58-00079-02	Sta-Strap, 0-1.75" Diameter Cable	2
185.9	34-00558-09	Strap, Cable, 2.12 Dia.	2
185.10	56-03990-00	Tube, Equalizer, 1/4 OD	1
185.11	68-08306-00	Angle	1
185.12	86-02960-00	Bracket, Heat Exchanger	2
185.13	79-02390-00	Evaporator Assembly - Includes:	1
185.13.1	86-03157-00	Wrapper Assembly, Evaporator	1
185.13.2	08-01064-00	Coil, Evaporator	1
185.13.3	86-03041-01	Fan Deck	1
185.13.4	86-03162-00	Drain Pan Assembly	1
185.13.5	81-02693-00	Tube Assembly, Serpentine	1
185.13.6	67-01009-00	Bracket	2
185.13.7	42-00032-00	Insulation, Prestite	1
185.13.8	34-06051-130	Rivnut, M4	4
185.13.9	34-06051-200	Rivnut, M6	18

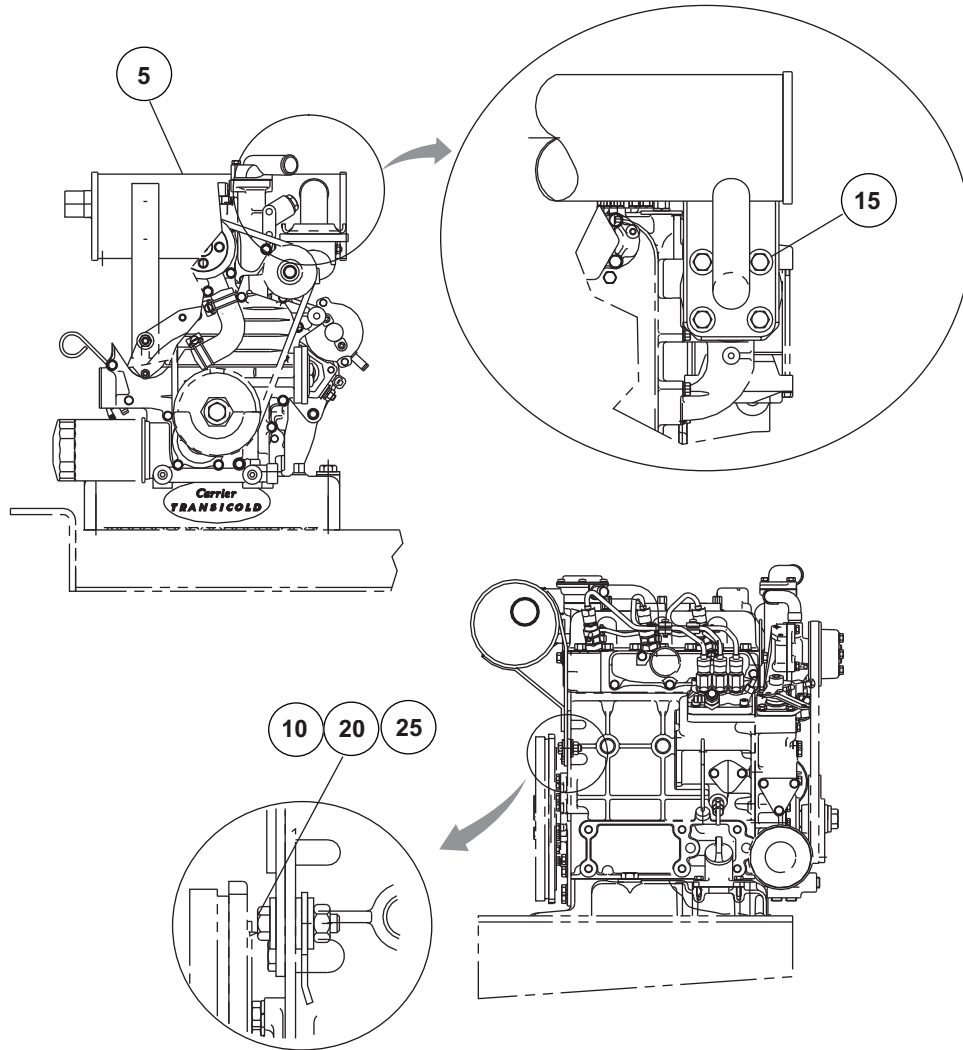
Item Number	Part Number	Part Description	Quantity
		Evapoator Kit, Supra 760 with Standby (continued)	
185.13.10	58-00065-66	Grommet, .56 ID x .81 OD	2
185.13.11	34-00662-20	Washer, Plain, .281 ID x 1.00 OD	2
185.13.12	34-60068-20	Screw, Captive Washer M6 x 20mm	28
185.13.13	44-01142-00	Clamp, Banding, TXV Bulb Strap	1
185.13.14	44-01162-00	Clip, Retaining, 0.38 Diameter	14
185.13.15	34-00928-13	Rivet, Blind, .187 Diameter .126-.250	24
185.14	81-02650-01	Tube Assembly, Heat Exchanger - Includes:	1
185.14.1	08-60036-00	Heat Exchanger	1
185.14.2	56-60383-03	Tube, 7/8 OD	1
185.14.3	56-03996-00	Tube, 3/8 OD	1
185.15	81-60354-02	Liquid Line Assembly - Includes:	1
185.15.2	56-03987-00	Tube, Liquid, 3/8 OD	1
185.15.3	14-00181-07	Check Valve, Solder, 3/8 ODF	1
185.15.4	56-03994-00	Tube, Liquid Line, 3/8 OD	1
185.16	42-00032-09	Insulation, Prestite	1
185.17	34-06051-200	Rivnut, M6	6
300	08-01060-00	Coil, Heater	1
301	24-60029-00	Heater, Electric Assembly	1
304	34-06051-200	Rivnut, M6	9
305	34-60095-27	Washer, Lock, M6 x 14mm, OD	14
308	42-00183-22	Trim, Flexible, Fine Pebble-Black	0.2083
310	44-00045-02	Clamp, Hose, 0.69-1.25, Worm Type	2
315	73-00342-00	Grille, Evaporator	1
320	86-03053-00	Bracket Assembly, Heater	3

Exhaust Kit - Supra 560 without Standby



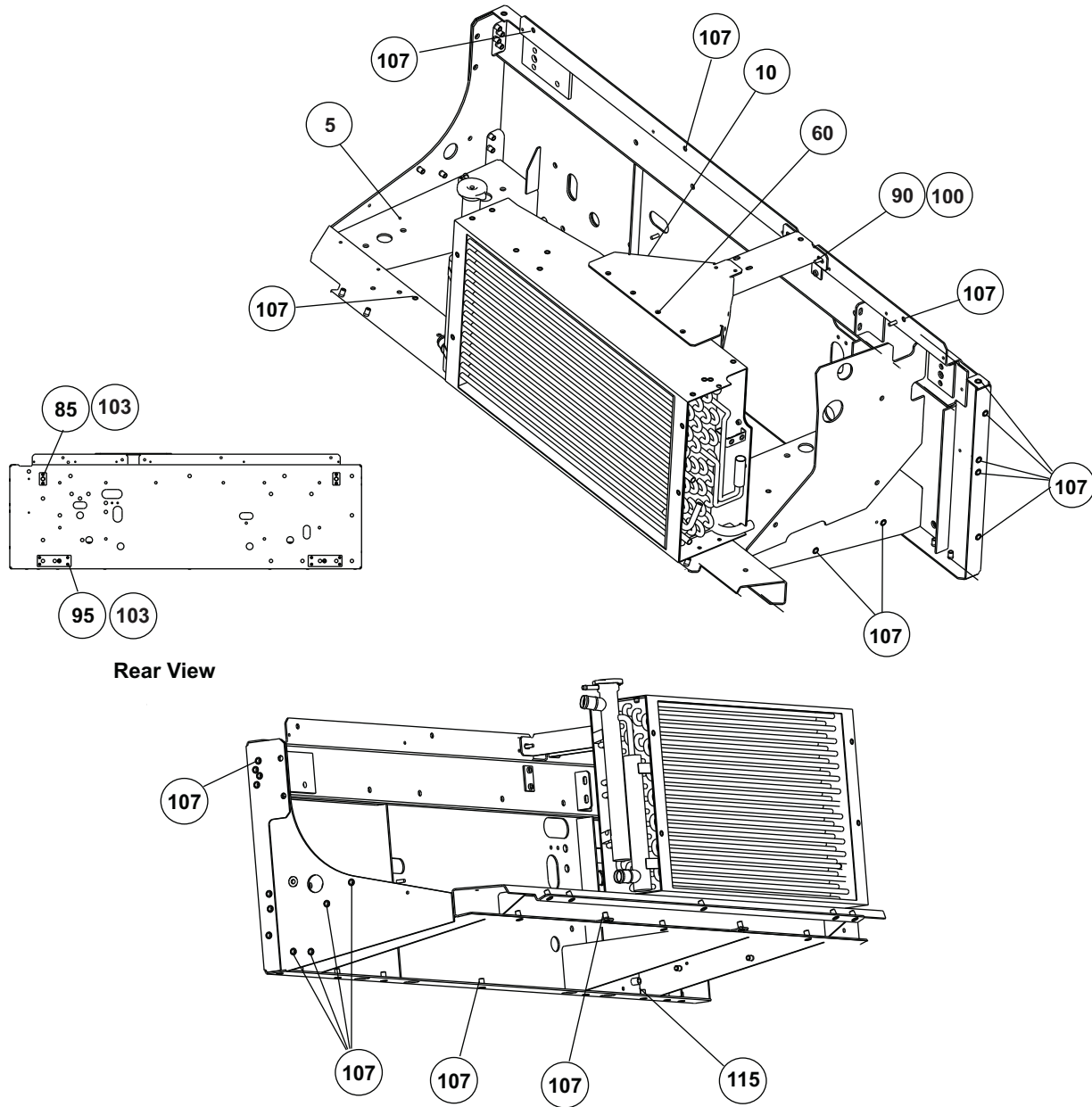
Item Number	Part Number	Part Description	Quantity
		Exhaust Kit, Supra 560 - Includes:	
5	30-01087-00	Muffler	1
10	34-01152-25	Screw, Cap, Hex Head, M6 x 25MM	2
15	34-00876-25	Screw, Cap, Hex Head, M8 x 25MM	3
20	34-60002-08	Washer, M8 Belleville	3
25	34-01184-58	Nut, Lock, M8 Nylock	2
30	34-60002-06	Washer, M6 Belleville	4

Exhaust System



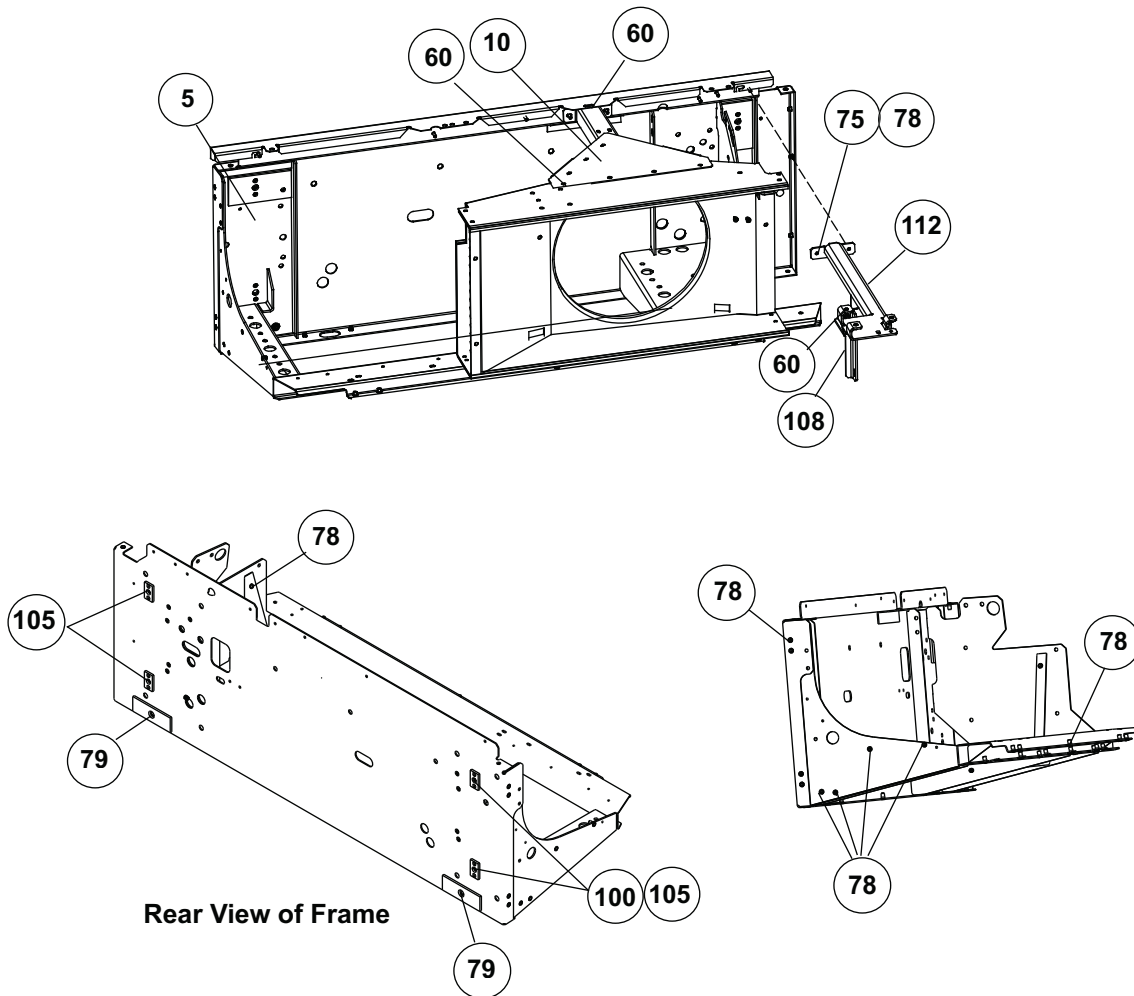
Item Number	Part Number	Part Description	Quantity
5	30-01084-01	Muffler, Exhaust,	1
10	34-00876-25	Screw, Cap, Hex Head, M8 x 25mm, 0.98	1
15	34-00876-20	Screw, Cap, Hex Head, M8 x 20mm, 0.79	4
20	34-60002-08	Washer, M8 Belville	6
25	34-01184-58	Nut, Lock, M8 Nylock	1

Frame Kit - Supra 560



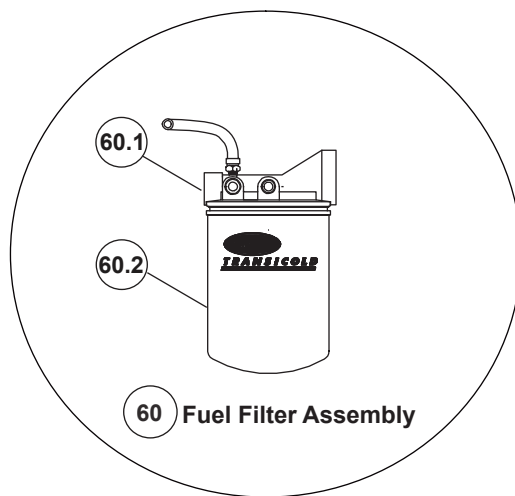
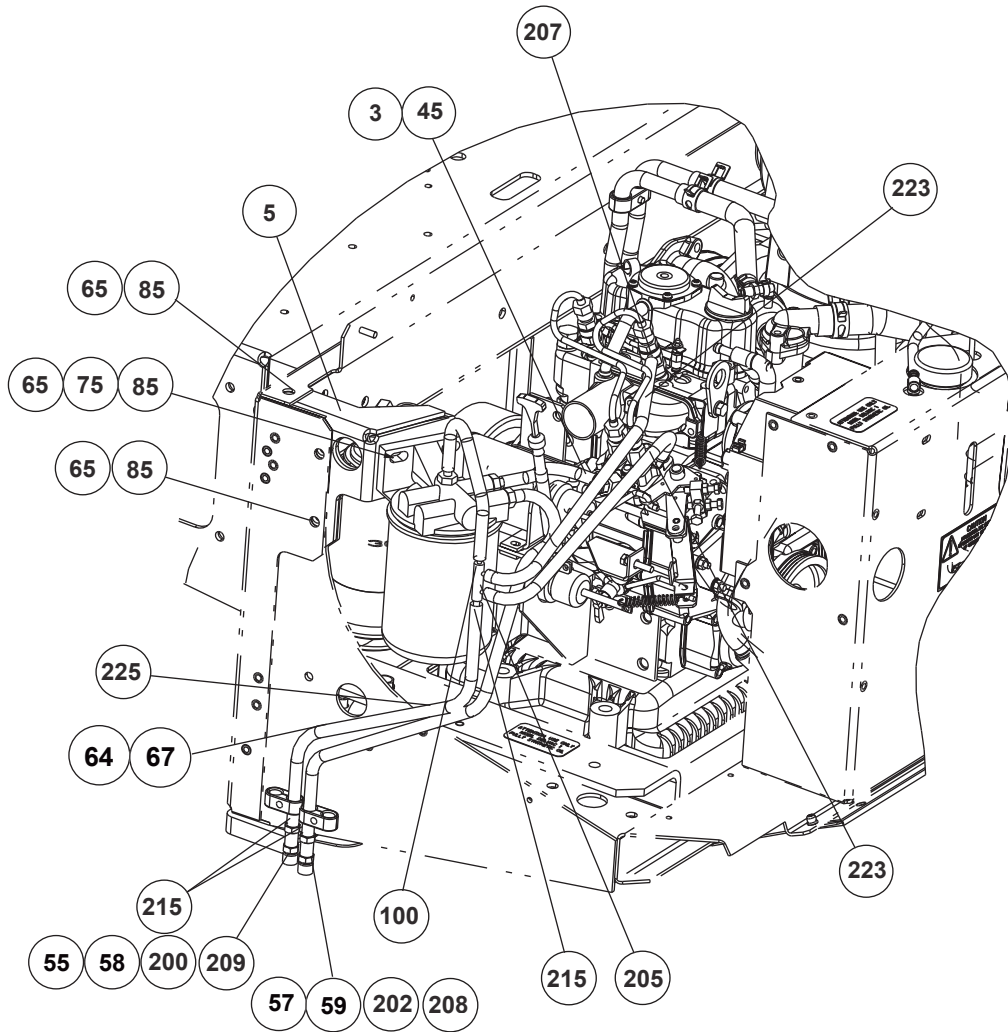
Item Number	Part Number	Part Description	Quantity
		Frame Kit, Supra 560 - Includes:	
5	86-03191-00	Frame Assembly	1
10	86-03176-00	Bracket Assembly	1
60	34-01266-20	Screw, Hex Head, Sems, M6 x 20mm, Slotted	4
85	68-07486-00	Plate	2
90	34-01184-58	Nut, Lock, M8 Nylock	2
95	68-60705-01	Plate	2
100	34-00944-08	Washer, Flat, M8	2
103	34-01347-00	Rivet, Monobolt, 0.250 Diameter, 0.125 - 0.475	12
107	34-01314-24	Rivnut, Hex, M6	40
115	34-06051-106	Rivnut, M8	2

Frame Kit - Supra 660 and 760



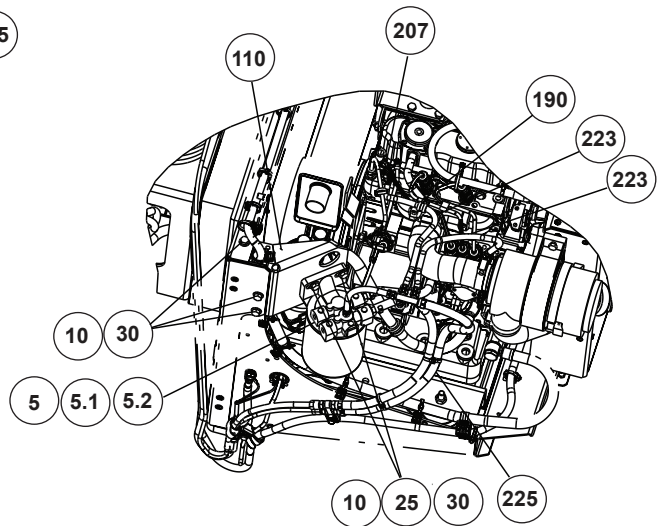
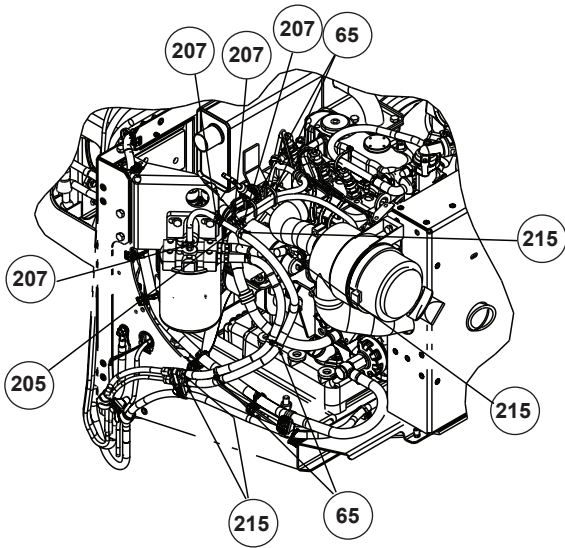
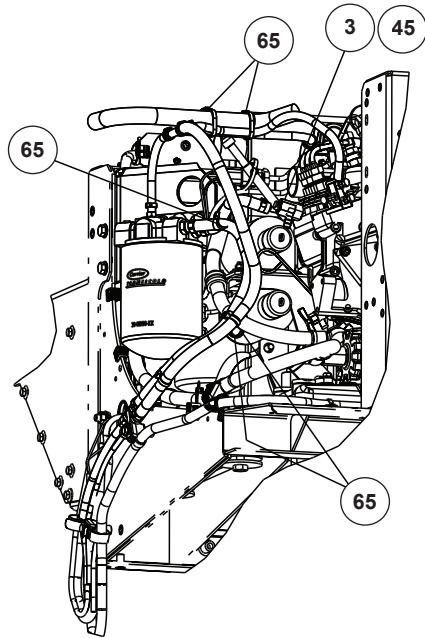
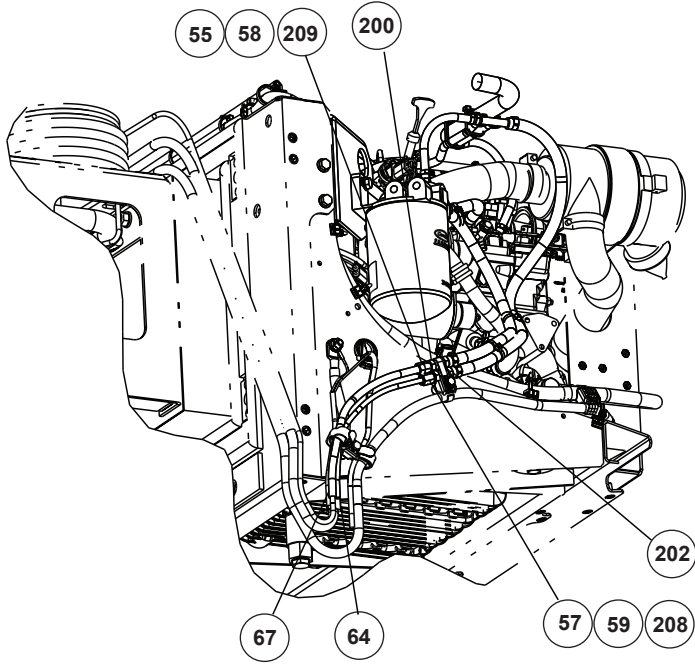
Item Number	Part Number	Part Description	Quantity
		Frame Kit, Supra 660 and 760 - Includes:	
5	86-03190-01	Frame Assembly	1
10	86-03195-00	Bracket Assembly	1
60	34-01266-20	Screw, Hex Head, Sems, M6 x 20mm, Slotted	10
78	34-01314-25	Rivnut, M6	49
79	34-06051-107	Rivnut, M8	2
100	68-07486-00	Plate	4
105	34-01347-00	Rivet, Monobolt, 0.250 Diameter, 0.125 - 0.475	8
108	67-01012-00	Bracket	1
112	86-03100-00	Weld Assembly, Support	1

Fuel System Heater - Supra 560



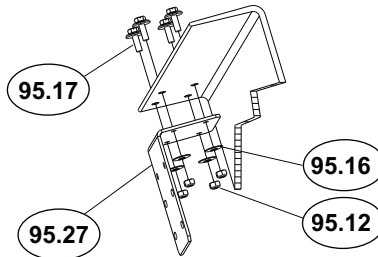
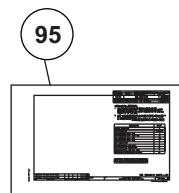
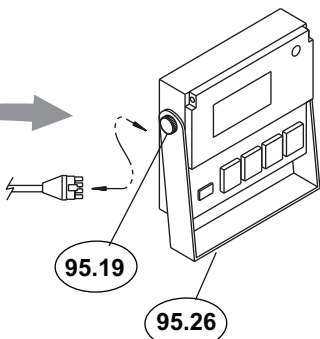
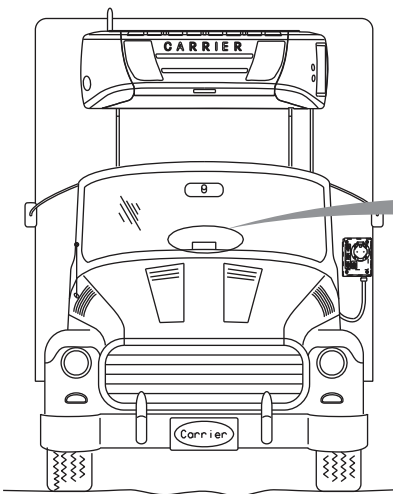
Item Number	Part Number	Part Description	Quantity
3	25-34359-00	Washer, Crush, Copper	2
5	86-60975-00	Bracket Assembly, Fuel Filter Lifting	1
45	40-60282-00	Fitting, Fuel Line Inlet	1
55	40-00409-02	Sleeve, 3/8	1
57	40-01169-00	Compression Sleeve, 1/4	1
58	40-01169-01	Compression Sleeve, 3/8	1
59	40-00409-01	Sleeve, 1/4	1
60	30-01115-16	Filter Assembly, Fuel	1
60.1	30-01115-51	Filter Head, Fuel, with Fittings	1
60.2	30-01090-05	Filter, Fuel	1
64	58-01390-00	Tube, Fuel, 1/4 OD	25
65	34-00876-30	Screw, Cap, Hex Head, M8 x 30MM, 1.18	5
67	30-01391-00	Tube, Fuel, 3/8 OD	25
75	34-06051-107	Rivnut, M8	2
85	34-60002-08	Washer, M8 Belleville	5
100	58-00079-02	Sta-strap, Cable Clamp, 0 - 1.75 Diameter	6
200	40-01170-02	Fitting, Fuel Hose, 1/4 Hose, 1/4, Brass	1
202	40-01174-02	Fitting, Fuel Hose, 3/16, Brass	1
205	40-60073-00	Fitting, 4-Way Fuel	1
207	44-00293-06	Clamp, Stepless, Ear, 7/16 Diameter	8
208	40-01168-01	Nut, 1/4, Compression, Brass	1
209	40-01168-02	Nut, 3/8, Compression, Brass	1
215	44-00293-08	Clamp, Stepless, Ear, 1/2 Diameter	3
223	58-00659-00	Hose, 3/16, Fuel	2.0833
225	58-04184-00	Hose, Fuel, 1/4, Bulk Length	1.4792

Fuel System Kit, Supra 660 and 760

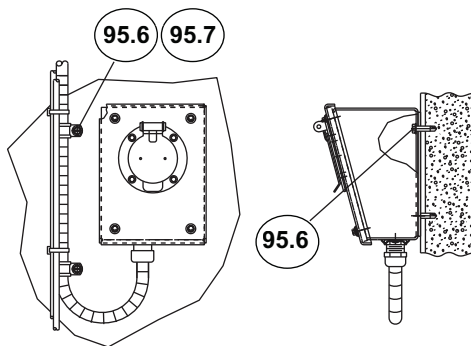
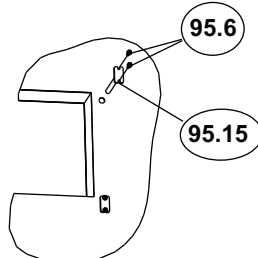
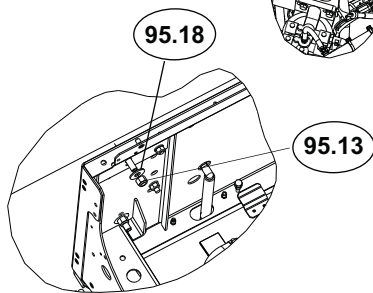
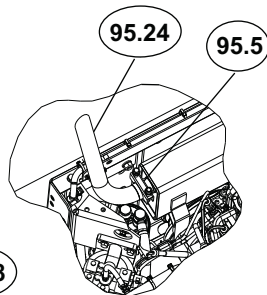
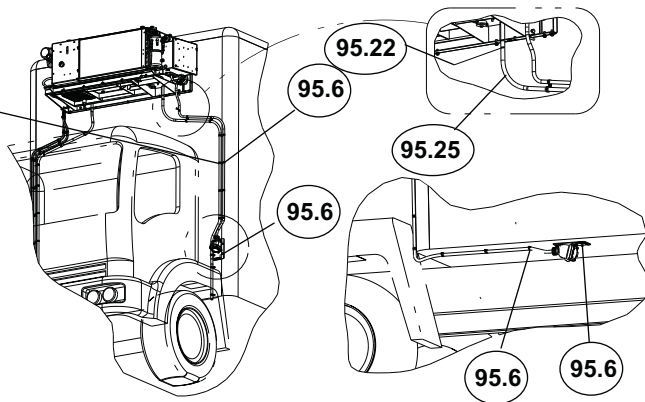
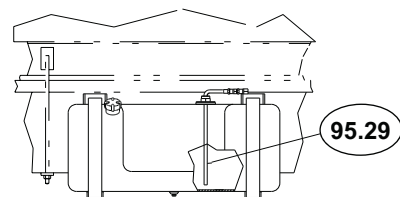
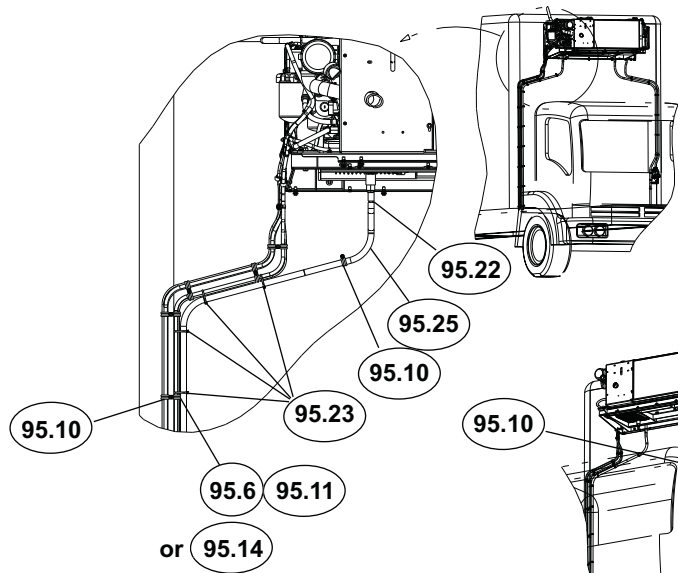


Item Number	Part Number	Part Description	Quantity
3	25-34359-00	Washer, Crush	2
5	30-01115-16	Filter Assembly, Fuel	1
5.1	30-01115-51	Filter Head, Fuel, with Fittings	1
5.2	30-01090-05	Filter, Fuel	1
10	34-00876-30	Screw, Cap, Hex Head, M8 x 30mm, 1.18	5
25	34-06051-107	Rivnut, M8	2
30	34-60002-08	Washer, M8 Belleville	5
45	40-60282-00	Fitting, Fuel-Line Inlet	1
55	40-00409-02	Sleeve, 3/8 Tube	1
57	40-01169-00	Sleeve, Compression, 1/4	1
58	40-01169-01	Sleeve, Compression, 3/8	1
59	40-00409-01	Sleeve, 1/4 Tube	1
64	58-01390-00	Tube, Fuel, 1/4 OD	25
65	58-00079-02	Sta-Strap, Cable Clamp, 0-1.75 Diameter	6
67	58-01391-00	Tube, Fuel, 3/8 OD	25
110	86-60066-03	Bracket, Fuel/Lifting	1
190	34-00373-03	Clamp, Tube, 0.38 Diameter, Cushioned	1
200	40-01170-02	Fitting, Fuel Hose, 1/4	1
202	40-01174-02	Fitting, Fuel Hose, 3/16	1
205	40-60073-00	Fitting, 4-Way Fuel	1
207	44-00293-06	Clamp, Stepless, Ear, 7/16 Diameter	8
208	40-01168-01	Nut, 1/4, Compression	1
209	40-01168-02	Nut, 3/8, Compression	1
215	44-00293-08	Clamp, Stepless, Ear, 1/2 Diameter	4
223	58-00659-00	Hose, 3/16, Fuel	2.0833
225	58-04184-00	Hose, Fuel, 1/4, Bulk Length	1.4792

Mounting Kit - Units without Standby

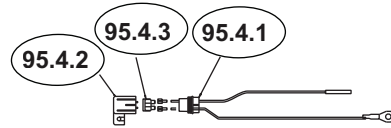
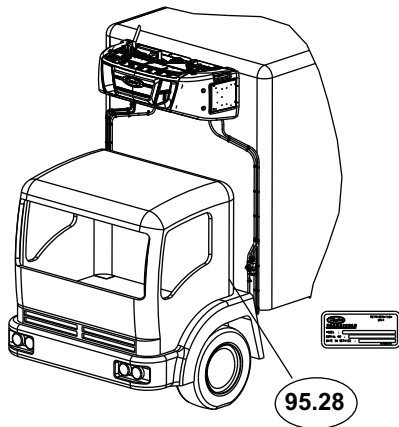


Fuel Pump Mounting Bracket

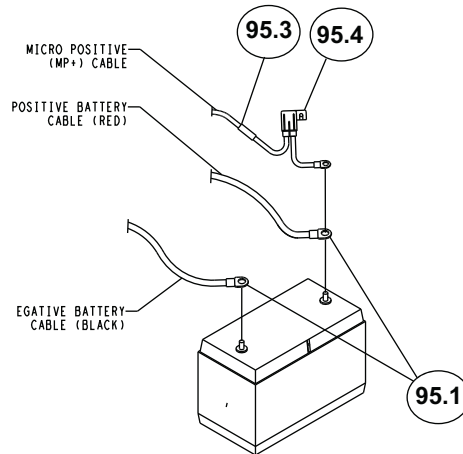


Inside Truck Body

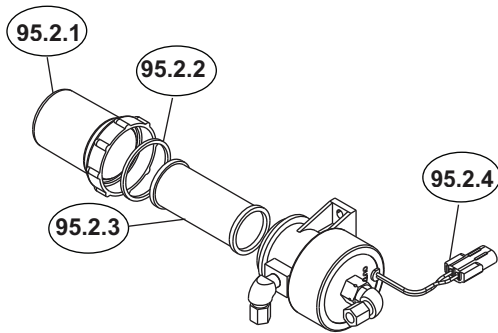
Mounting Kit - Units without Standby



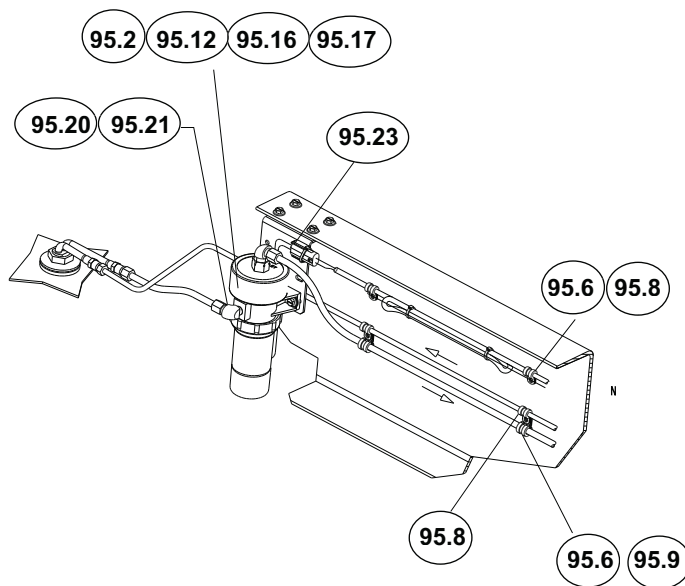
Fused Micro Harness



Battery Cable and MP+ Cable Termination

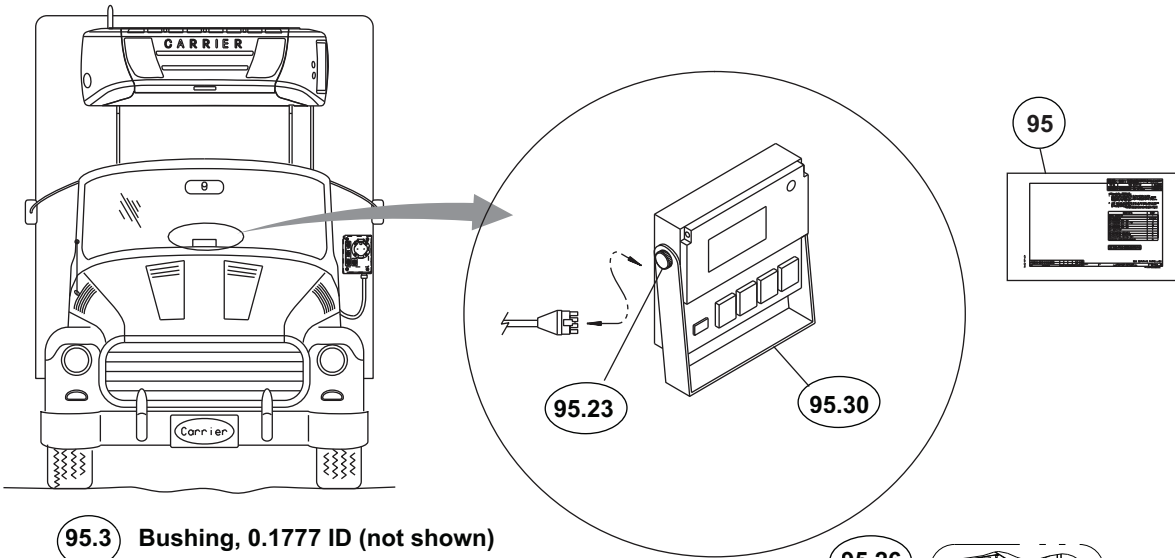


95.2 Fuel Pump, Electric, Connector



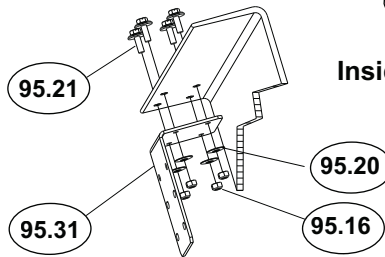
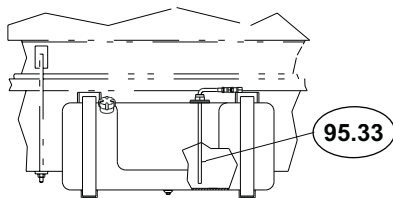
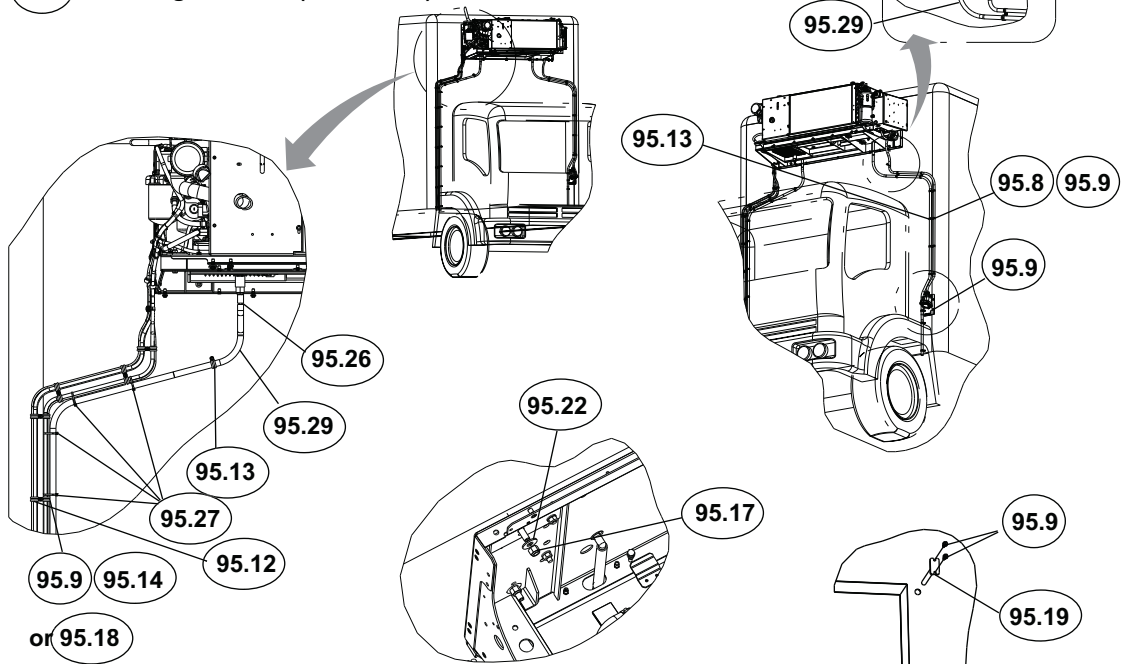
Item Number	Part Number	Part Description	Quantity
		Mounting Kit, Units without Standby - Includes:	
95	98-03352-02	Installation Instructions, No Standby - Includes:	1
95.1	22-00819-02	Terminal, Battery Cable, 2 AWG x 3/8, Stud	2
95.2	30-01108-03	Pump, Fuel, Electric, Connector - Includes:	1
95.2.1	30-01108-23	Bowl, Fuel Pump - Includes:	1
95.2.2	30-01108-22	Gasket, Fuel Bowl	1
95.2.3	30-01108-20	Filter, Fuel Pump, 70 Micron	1
95.2.4	22-02392-00SV	Connector, 2 Wire, Mates with 22-01585-00SV	1
95.3	22-01327-02	Tube, Heat Shrink	1
95.4	22-02915-00	Harness, Fused Micro - Includes:	1
95.4.1	22-50078-22	Holder, Fuse	1
95.4.2	22-50078-23	Cover, Fuse Holder	1
95.4.3	22-02336-02	Fuse, 5A	1
95.5	30-01052-03	Clamp, U-Bolt, 3/8-16 x 1.50 Diameter	1
95.6	34-01276-08	Screw, Hex Washer Head, 1/4 x 1.00, Self-Tapping	50
95.7	34-00373-05	Clamp, Tube, 0.50 Diameter, Cushioned	30
95.8	34-00373-51	Clamp, Tube, 0.25 Diameter, Cushioned	30
95.9	34-00373-53	Clamp, Tube, 0.38 Diameter, Cushioned	20
95.10	34-00373-61	Clamp, Tube, 0.88 Diameter, Cushioned	20
95.11	34-00373-59	Clamp, Tube, 0.75 Diameter, Cushioned	20
95.12	34-01184-56	Nut, Lock, M6 Nylock	6
95.13	34-00361-15	Nut, Self-Locking, 1/2-13	4
95.14	34-00928-13	Rivet, Blind, .187 Diameter	10
95.15	34-01235-04	Bolt, T-Head, 1/2-13, UNRC 2A	4
95.16	34-60002-06	Washer, M6 Belleville	8
95.17	34-01266-20	Screw, Hex Head, Sems, M6 x 20mm, Slotted	6
95.18	34-00366-15	Washer, Plain, 1/2	4
95.19	34-60005-00	Screw, Thumb, M4 x 8mm, Black Zinc	2
95.20	40-00343-07	Connector, Male, 3/8 Tube x 1/8, NPTE	1
95.21	40-00342-02	Elbow, Male, 3/8 Tube x 1/8 NPTE	2
95.22	40-01167-00	Fitting, Water Drain	2
95.23	58-00079-02	Sta-Strap, Cable Clamp, 0 - 1.75 Diameter	50
95.24	30-60018-00	Exhaust Pipe	1
95.25	58-01286-02	Hose, 16 x 22, Plastic	1
95.26	68-60059-02	Bracket, Mounting	1
95.27	68-60343-00	Bracket, Pump	1
95.28	62-04056-00	Decal, Model Info	1
95.29	65-01091-00	Tube, Pickup, Fuel Tank	1

Mounting Kit - Units with Standby



95.3 Bushing, 0.1777 ID (not shown)

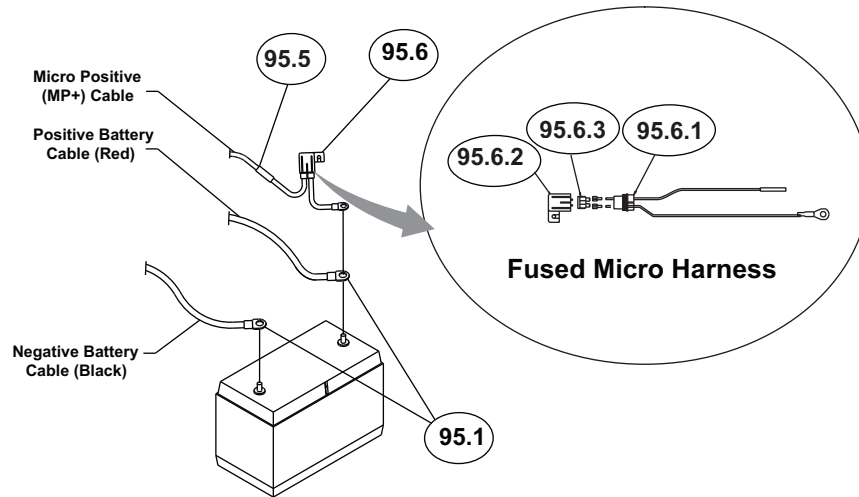
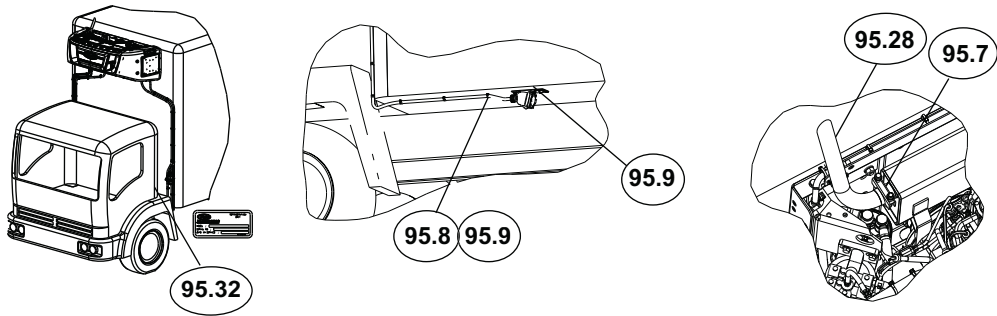
95.4 Bushing, 0.138 ID (not shown)



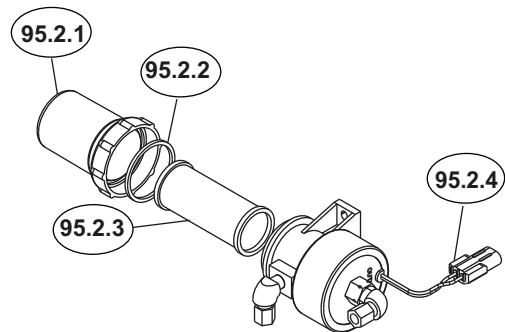
Inside Truck Body

Fuel Pump Mounting Bracket

Mounting Kit - Units with Standby

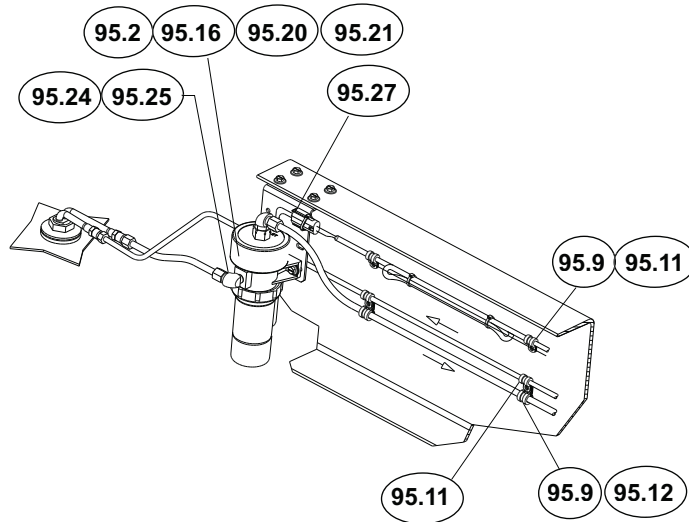
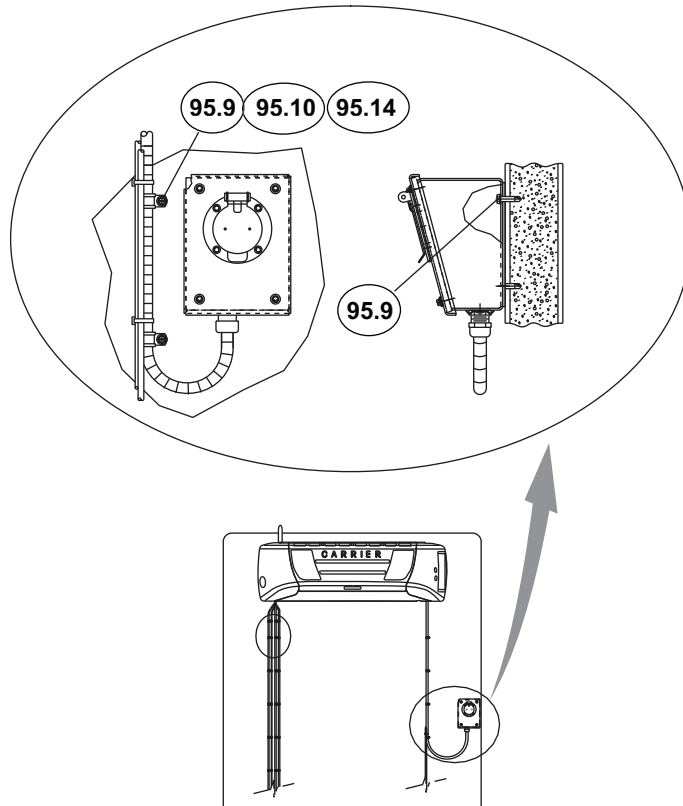


Battery Cable and MP+ Cable Termination



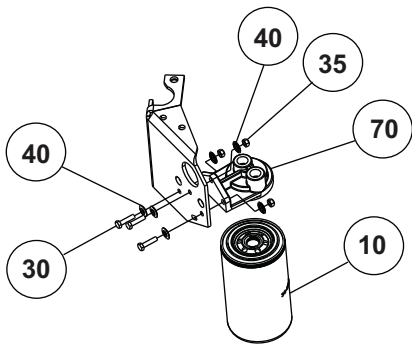
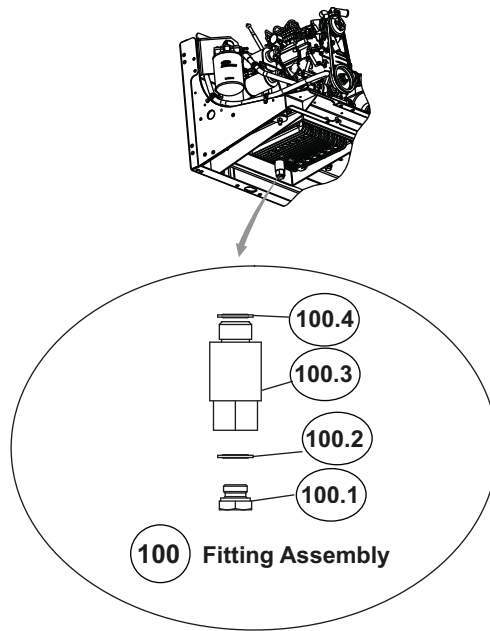
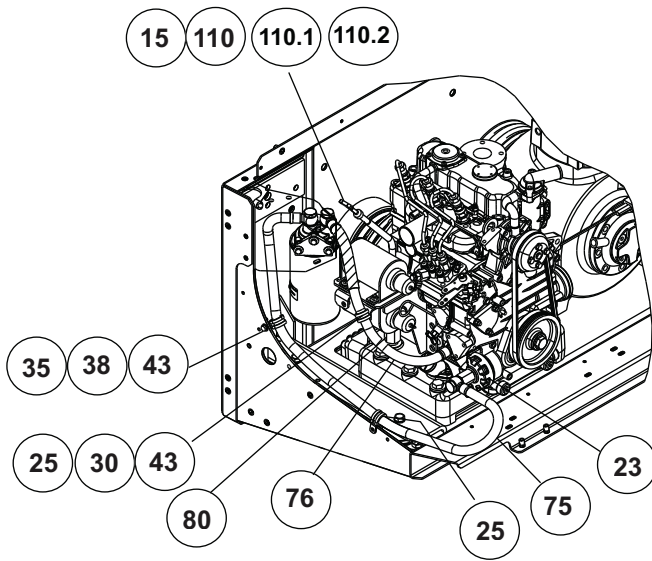
95.2 Fuel Pump, Electric, Connector

Mounting Kit - Units with Standby

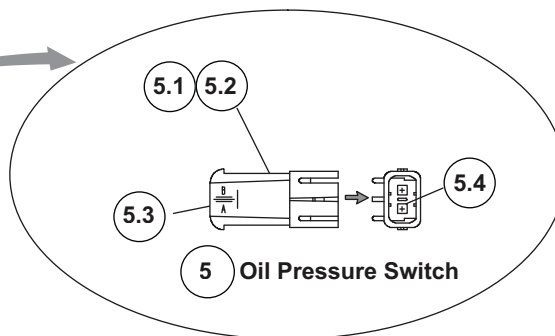
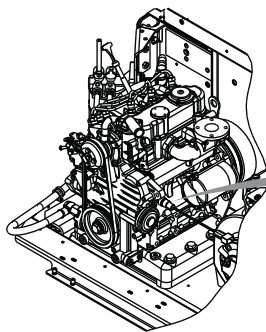
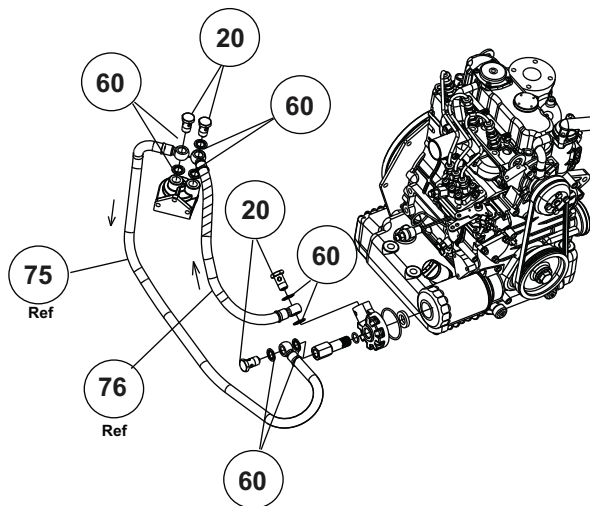


Item Number	Part Number	Part Description	Quantity
		Mounting Kit, 230V/60HZ - Includes:	
95	98-03352-00	Installation Instructions, 230V/60HZ	1
95.1	22-00819-02	Terminal, Battery Cable, 2 AWG x 3/8, Stud	2
95.2	30-01108-03	Pump, Fuel, Electric, Connector	1
95.2.1	30-01108-23	Bowl, Fuel Pump	1
95.2.2	30-01108-22	Gasket, Fuel Bowl	1
95.2.3	30-01108-20	Filter, Fuel Pump, 70 Micron	1
95.2.4	22-02392-00SV	Connector, 2 Wire, Mates with 22-01585-00SV	1
95.3	22-02324-02	Bushing, .177 ID, 8AWG	5
95.4	22-02324-11	Bushing, .138 ID, 10AWG	5
95.5	22-01327-02	Tube, Heat Shrink	1
95.6	22-02915-00	Harness, Fused Micro	1
95.6.1	22-50078-22	Holder, Fuse	1
95.6.2	22-50078-23	Cover, Fuse Holder	1
95.6.3	22-02336-02	Fuse, 5A	1
95.7	30-01052-03	Clamp, U-Bolt, 3/8-16 x 1.50, Diameter	1
95.8	34-00373-07	Clamp, Tube, 0.62 Diameter, Cushioned	6
95.9	34-01276-08	Screw, Hex Washer Head, 1/4 x 1.00, Self-Tapping	50
95.10	34-00373-05	Clamp, Tube, 0.50 Diameter, Cushioned	20
95.11	34-00373-51	Clamp, Tube, 0.25 Diameter, Cushioned	30
95.12	34-00373-53	Clamp, Tube, 0.38 Diameter, Cushioned	20
95.13	34-00373-61	Clamp, Tube, 0.88 Diameter, Cushioned	20
95.14	34-00373-65	Clamp, Tube, 1.12 Diameter, Cushioned	6
95.15	34-00373-59	Clamp, Tube, 0.75 Diameter, Cushioned	20
95.16	34-01184-56	Nut, Lock, M6 Nylock	6
95.17	34-00361-15	Nut, Self-Locking, 1/2-13	4
95.18	34-00928-13	Rivet, Blind, .187 Diameter	10
95.19	34-01235-04	Bolt, T-Head, 1/2-13, UNRC 2A	4
95.20	34-60002-06	Washer, M6 Belleville	8
95.21	34-01266-20	Screw, Hex Head, Sems, M6 x 20mm, Slotted	6
95.22	34-00366-15	Washer, Plain, 1/2	4
95.23	34-60005-00	Screw, Thumb, M4 x 8mm, Black Zinc	2
95.24	40-00343-07	Connector, Male, 3/8 Tube x 1/8 NPTE	1
95.25	40-00342-02	Elbow, Male, 3/8 Tube x 1/8 NPTE	2
95.26	40-01167-00	Fitting, Water Drain	2
95.27	58-00079-02	Sta-Strap, Cable Clamp, 0-1.75 Diameter	50
95.28	30-60018-00	Exhaust Pipe, Supra	1
95.29	58-01286-02	Hose, 16 x 22, Plastic	1
95.30	68-60059-02	Bracket, Mounting	1
95.31	68-60343-00	Bracket, Pump	1
95.32	62-04056-00	Decal, Model Info	1
95.33	65-01091-00	Tube, Pickup, Fuel Tank	1

Oil System Kit - Supra 660 and 760 without Standby

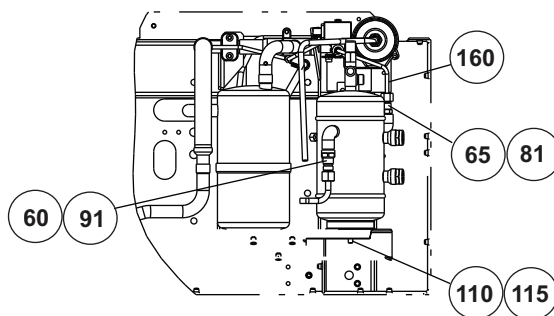
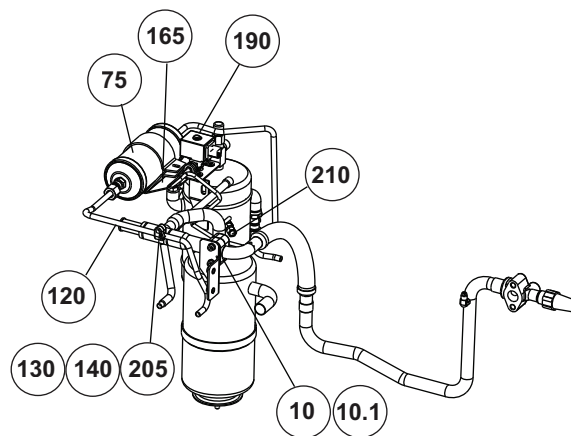
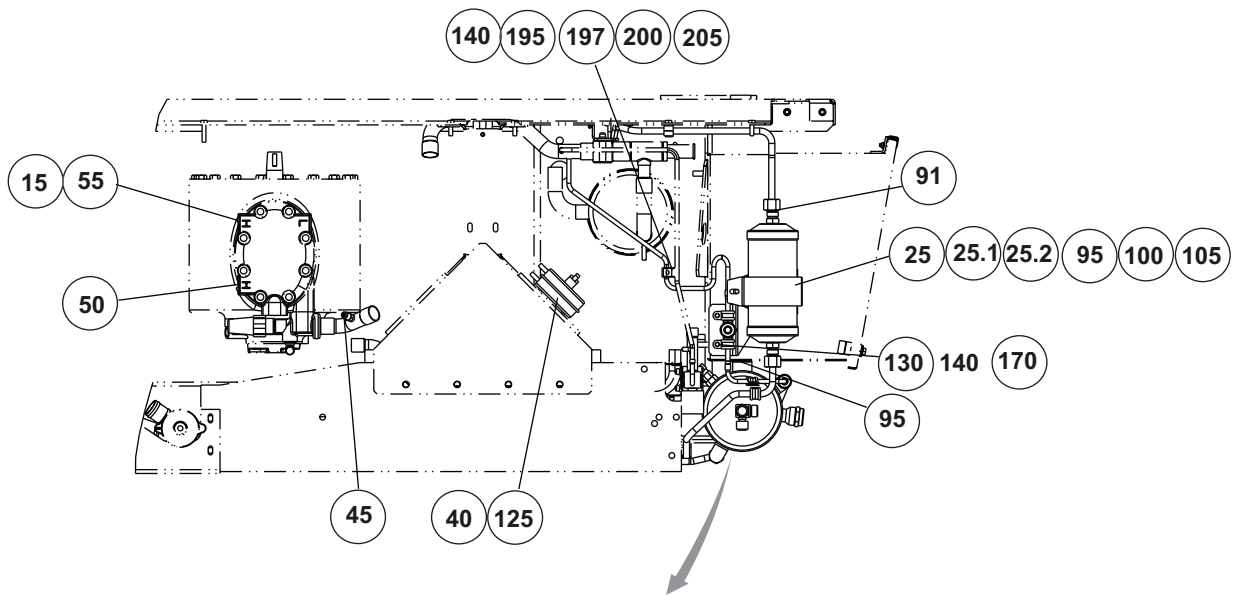


Filter Mounting Detail



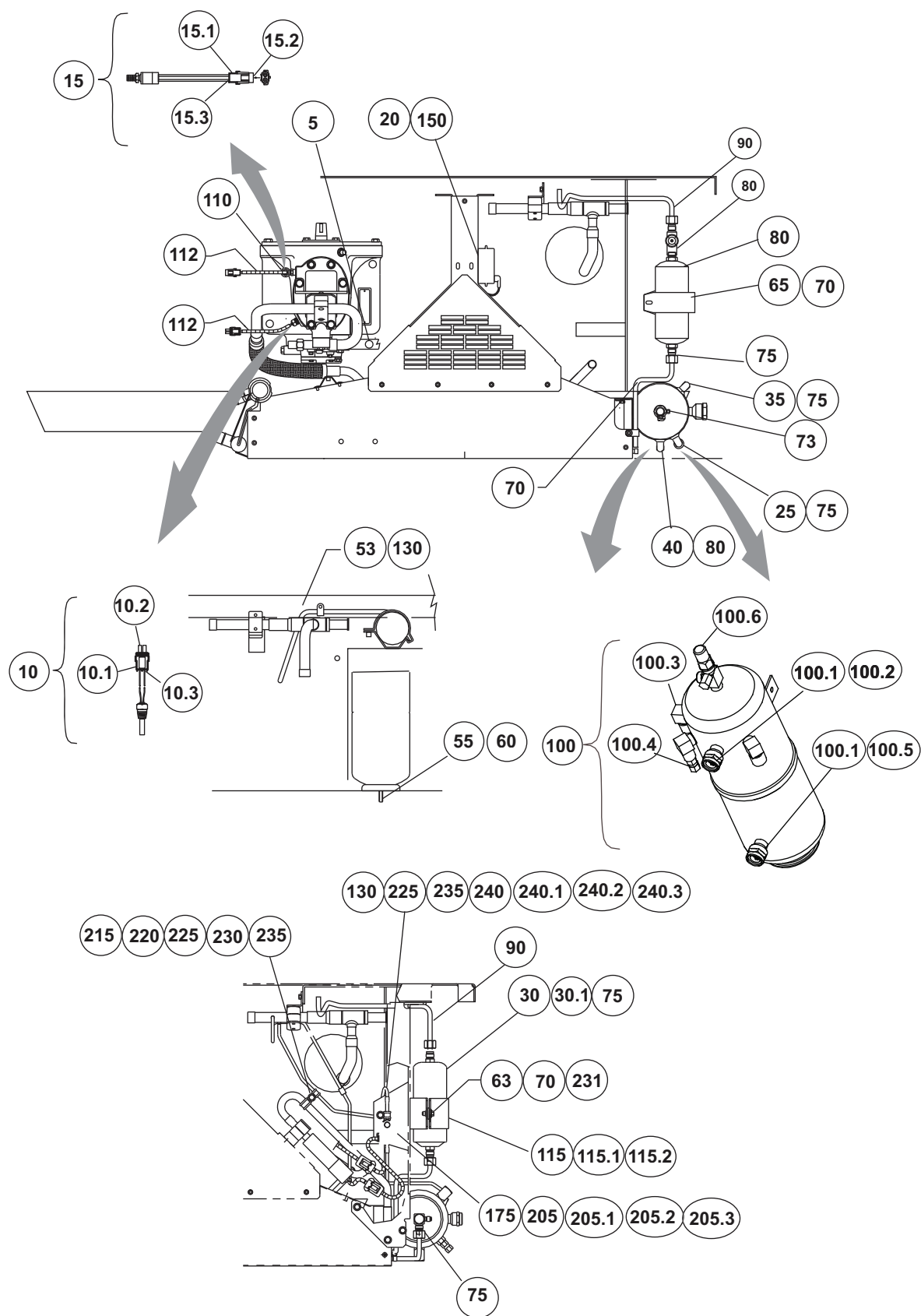
Item Number	Part Number	Part Description	Quantity
		Oil System Kit - Includes:	
5	12-00592-01	Switch, Pressure Oil - Includes:	1
5.1	22-50078-01	Connector, Male, 2-Pin	1
5.2	22-50078-01A	Secondary Lock	1
5.3	22-02394-00	Seal, Cable	2
5.4	22-50078-47A	Terminal, Male	2
10	30-01121-00	Filter, Oil	1
15	30-60043-00	Gauge, Oil	1
20	30-60055-05	Bolt, Banjo	4
23	30-60098-02	Adapter, Oil, Engine	1
25	34-00373-07	Clamp, Tube .62 Diameter	3
30	34-00967-25	Screw, Cap Hex Head, M6 x 25mm	4
35	34-01184-56	Nut, Lock, M6, Nylock	4
38	34-01266-20	Screw, Cap Hex Head, M6 x 20mm	1
40	34-00944-06	Washer, Flat, M6	6
	34-60002-06	Washer, M6, Belleville (S/N PFM91345075 only)	
43	34-60095-27	Washer, Lock, M6	2
60	42-60025-00	Seal, Bonded	8
70	48-60063-03	Head, Filter Mounting	1
75	58-60209-01	Hose Assembly, 7/16 OD	1
76	58-60209-02	Hose Assembly, 7/16 OD	1
80	48-60339-01	Fitting	1
100	79-60704-00	Fitting Assembly- Includes:	1
100.1	42-60025-00	Seal, Bonded	1
100.2	48-60127-00	Plug, Male, M16 x 1.5	1
100.3	48-60445-00	Fitting, Drain	1
100.4	42-60025-01	Seal, Bonded	1
110	79-60757-00	Tube Assembly- Includes:	1
110.1	86-60901-03	Tube Assembly	1
110.2	42-00243-07	O-Ring, 0.35 x 0.50	1

Refrigerant Kit - Supra 560



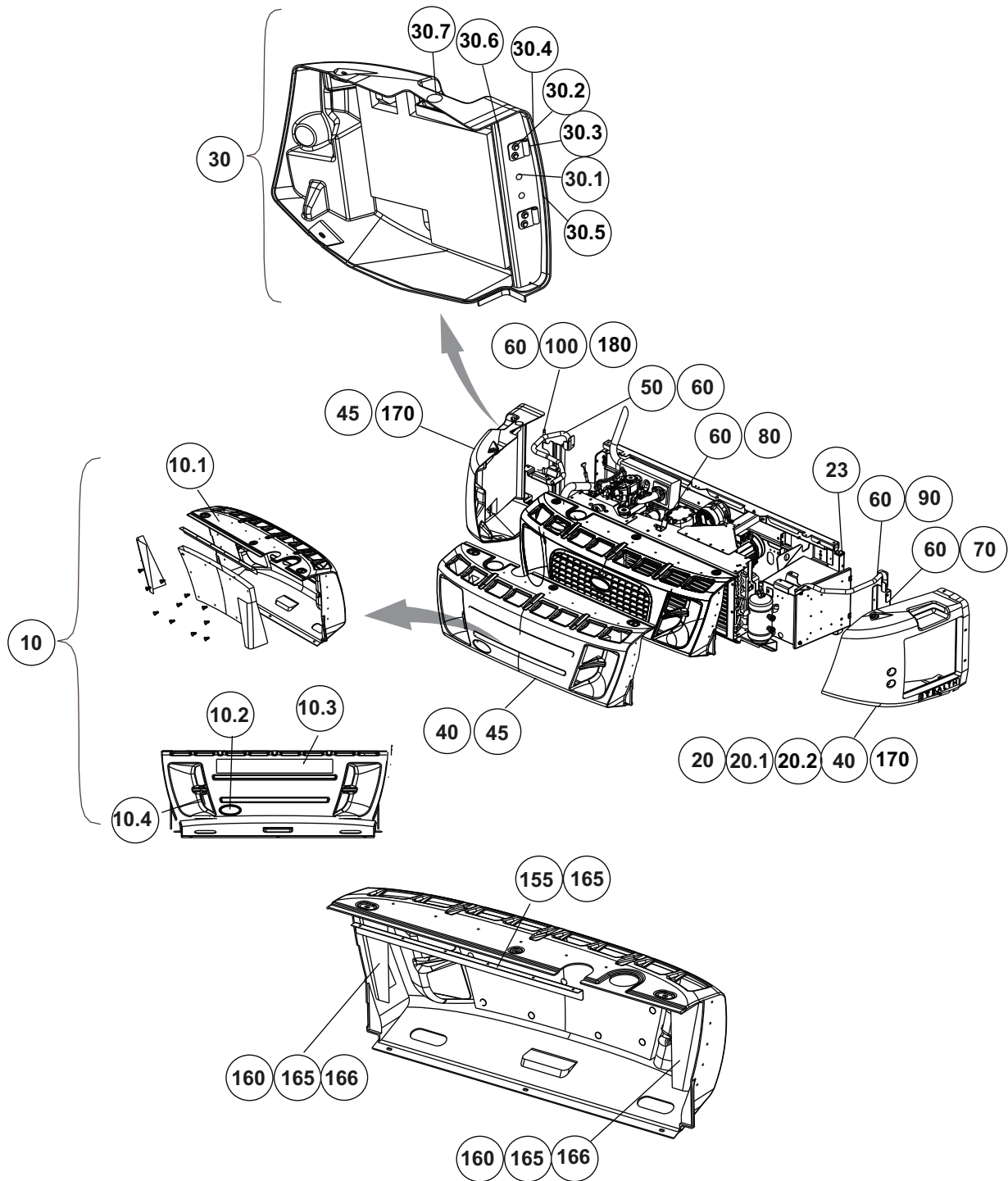
Item Number	Part Number	Part Description	Quantity
		Refrigerant Kit, Supra 560 - Includes:	
10	65-60038-04	Receiver, Supra 560 - Includes:	1
10.1	40-00086-04	Cap, Seal, 1/4 Female Flare	1
15	12-00309-04	Switch, Pressure, 465/350 PSIG	1
25	79-60541-00	Clamp, Drier - Includes:	1
25.1	67-60361-00	Bracket, Drier	1
25.2	68-61934-00	Bracket, Drier	1
40	12-01039-03	Switch, Air, 1.00 +/- 0.07 W.G.	1
45	12-00283-00	Transducer	1
50	12-00284-00	Thermistor, Probe, Compressor Temperature	1
55	40-01171-00	Elbow, 45, Brass, 1/4 x 1/8	1
60	14-60026-01	Check Valve, 3/8 M, ORS	1
65	40-60207-00	Fitting, 1/4 ORFS-1/4, ORFS	1
75	14-00326-03	Filter Drier, 3/8 ORS	1
81	42-00243-10	O-Ring, 0.31 x 0.44	2
91	42-00243-09	O-Ring, 0.38 x 0.50	4
95	34-01266-20	Screw, Hex Head, Sems, M6 x 20MM, Slotted	2
100	34-01152-16	Screw, Cap, Hex Head, M6 x 16MM	2
105	34-00944-06	Washer, Flat, M6	2
110	34-01249-25	Spacer, M8 x 25 x 4 Thick	1
115	34-01184-58	Nut, Lock, M8 Nylock	1
120	82-01020-00	Tube, Liquid, 3/8 OD x 0.028W, Copper	1
125	34-00733-00	Nut, Hex Keps, 10-32	2
130	34-00373-03	Clamp, Tube, 0.38 Diameter, Cushioned	3
140	34-60095-27	Washer, Lock, M6 x 14MM	4
160	81-60656-01	Valve Assembly, Hot Gas	1
165	67-01058-00	Bracket, Valve, 14 GA, 0.74" HRS	1
170	34-01152-20	Screw, Cap, Hex Head, M6 x 20MM	2
190	22-60590-00	Coil, 12V	1
195	34-00373-05	Clamp, Tube, 0.50 Diameter, Cushioned	1
197	34-00373-51	Clamp, Tube, 0.25 Diameter, Cushioned	1
200	34-01336-25	Screw, Cap, Hex Head, M6 x 25MM, 0.984	1
205	34-01184-56	Nut, Lock, M6 Nylock	2
210	14-00272-01	Valve, Relief	1

Refrigerant Kit - Supra 660 and 760



Item Number	Part Number	Part Description	Quantity
		Refrigerant Kit, 660/760 - Includes:	
5	12-00283-00	Transducer, Pressure	1
10	12-00284-00	Thermistor, Probe, Compressor Temperature - Includes:	1
10.1	22-01585-00	Connector, Male	1
10.2	22-01566-00	Terminal, Female	2
10.3	22-02394-02	Seal, Cable	2
15	12-00309-04	Switch, Pressure, 465/350 PSIG - Includes:	1
15.1	22-01585-00	Connector, Male	1
15.2	22-01566-00	Terminal, Female	2
15.3	22-02394-02	Seal, Cable	2
20	12-01039-03	Switch, Air, 1.00 +/- 0.07 W.G.	1
25	14-00272-00	Valve, Relief	1
30	14-00326-03	Filter Drier, 3/8 ORS, 224 - Includes:	1
30.1	42-00243-10	O-Ring, 0.31 x 0.44	7
35	40-60207-00	Fitting, 1/4 ORFS-1/4 ORFS Mal	1
40	14-60026-01	Check Valve, 3/8 M ORS	1
53	34-01184-56	Nut, Lock, M6 Nylock	1
55	34-01184-58	Nut, Lock, M8 Nylock	1
60	34-01249-25	Spacer, M8 x 25 x 4 Thick	1
63	34-01249-20	Spacer, M6 x 25 x 4 Thick	1
65	34-60002-06	Washer, M6 Bellville	1
70	34-00967-25	Screw, Cap, Hex Head, M6 x 25mm, 0.984	2
73	40-00086-04	Cap, Seal, 1/4 Female Flare	1
75	42-00243-10	O-Ring, 0.31 x 0.44	6
80	42-00243-09	O-Ring, 0.38 x 0.50	2
90	82-01019-00	Tube, Liquid Line, 3/8 x 0.028 W, Copper	1
100	65-60055-03	Receiver, 7/8/9 - Includes:	1
100.1	48-60205-00	Fitting, Valve, 1/2 BSP	2
100.2	14-00220-03	Sight Glass, 1/2-14 BSP, Danfoss	1
100.3	48-60283-00	Fitting, 3/8, -24 UNF	1
100.4	14-00272-01	Valve, Relief	1
100.5	14-00220-05	Sight Glass, 1/2-14 BSP, Danfoss	1
100.6	40-00086-04	Cap, Seal, 1/4 Female Flare	1
110	40-01171-00	Elbow, 45, Brass, 1/4 x 1/8	1
112	58-00858-00	Tube, Slit, 1/4, Bulk Corrugated	0.9167
115	79-60541-00	Clamp, Drier - Includes:	1
115.1	67-60361-00	Bracket, Drier	1
115.2	68-61934-00	Bracket, Drier, 3mm Thick, Aluminum	1
130	34-00373-03	Clamp, Tube, 0.38 Diameter, Cushioned	3
150	34-00733-00	Nut, Hex Keps, 10-32	2
175	22-60590-00	Coil, Multitemp	1
215	34-00373-07	Clamp, Tube, 0.62 Diameter, Cushioned	1
220	34-00373-51	Clamp, Tube, 0.25 Diameter, Cushioned	1
225	34-01152-20	Screw, Cap, Hex Head, M6 x 20mm, 0.787	3
230	34-01184-106	Nut, Lock, M6 Nylock	1
231	34-60095-27	Washer, Lock, M6 x 14mm	1
235	34-60095-46	Washer, Lock, M6 x 18mm	4
240	81-02605-00	Tube Assembly, Hot Gas - Includes:	1
240.1	14-00269-01	Valve Body, 1/4, Tube	1
240.2	56-03816-00	Tube, 1/4 x 0.028W, Copper	1
240.3	82-01006-00	Tube Assembly	1

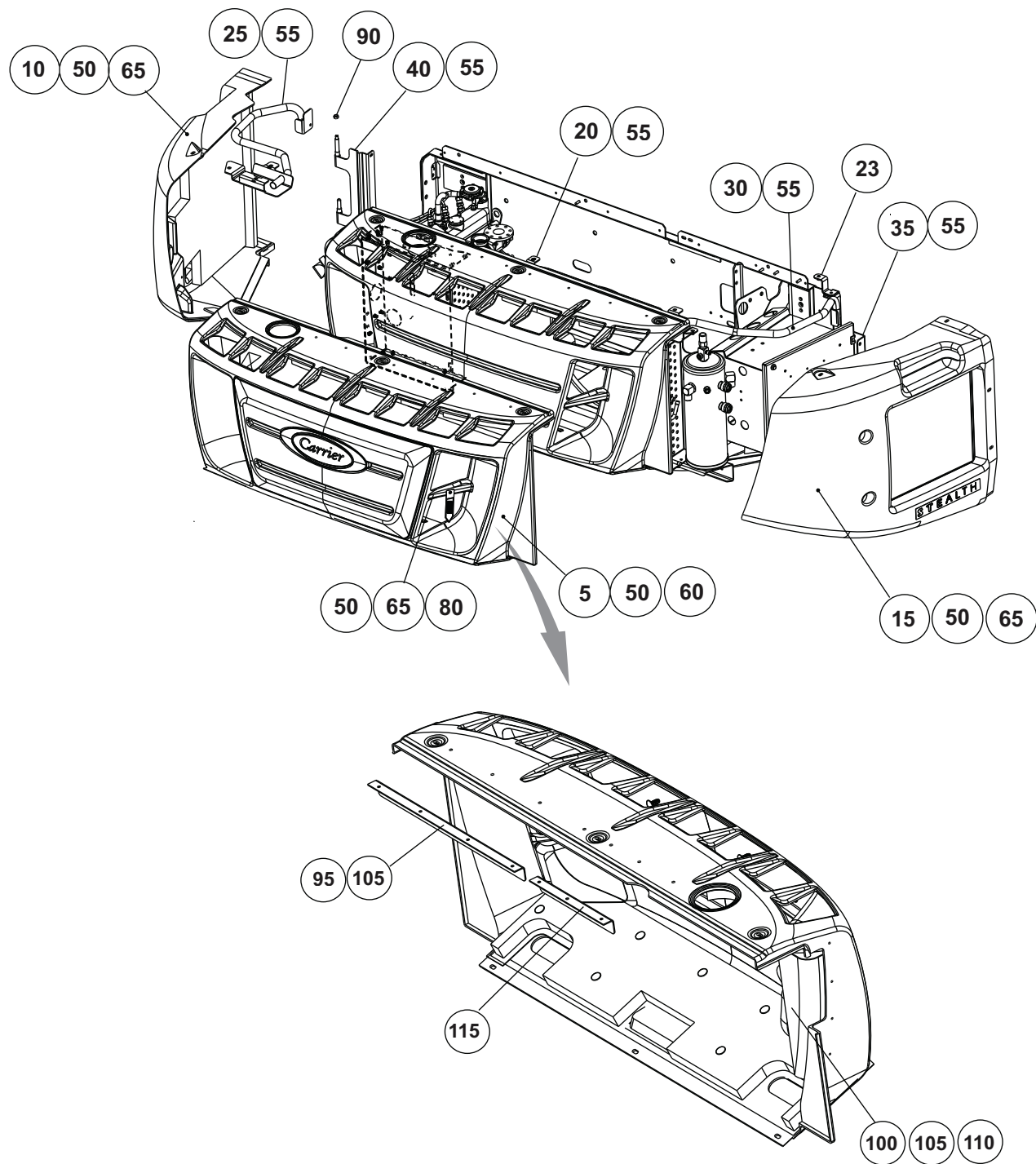
Skins - Supra 560 without Standby



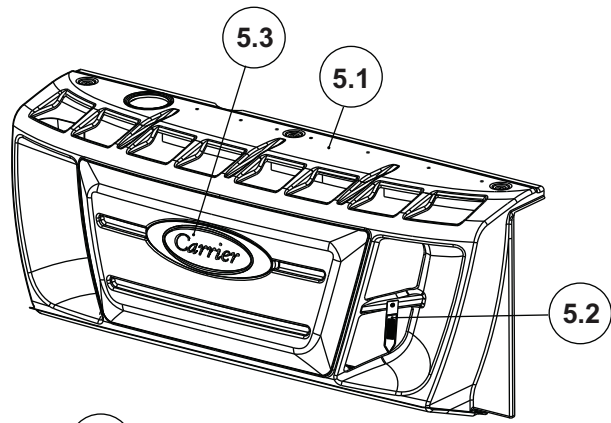
150 Sta-Strap, Cable Clamp (as needed)

Item Number	Part Number	Part Description	Quantity
		Skins, Supra 560 - Includes:	
10	79-60808-02	Skin Assembly - Includes:	1
10.1	58-60860-00	Panel, Front	1
10.2	62-61648-00	Decal, Carrier	1
10.3	34-60263-08	Washer, Quicklock	4
10.4	62-03905-00	Decal, Air Flow Indicator	1
20	79-60664-00	Door Assembly - Includes:	1
20.1	58-60548-20	Panel, Control Box	1
20.2	62-61454-00	Decal, Safety	1
23	67-01064-01	Bracket	1
30	79-60476-05	Panel Assembly - Includes:	1
30.1	34-00774-10	Rivet, Blind, 0.189 Diameter	2
30.2	34-60068-20	Screw, M6 x 20MM Long	4
30.3	44-60113-00	Hinge	2
30.4	58-60539-03	Panel	1
30.5	58-60542-02	Skin	1
30.6	67-60487-00	Bracket	1
30.7	62-61454-00	Decal, Safety	1
40	34-60044-00	Screw, M6 x 20	8
45	58-60306-06	Washer, Nylon, M6-18	4
50	86-61125-02	Channel Assembly	1
60	34-01266-20	Screw, Hex Head, Sems, M6 x 20MM, Slotted	10
70	67-01055-00	Bracket	1
80	67-01056-00	Bracket	1
90	86-61124-00	Channel Assembly	1
100	44-01180-00	Hinge	1
150	58-00079-02	Sta-Strap, Cable Clamp, 0-1.75 Diameter	1
155	68-70009-00	Angle	1
160	58-60601-00	Deflector	2
165	34-00774-13	Rivet, Blind, 0.189 Diameter	16
166	34-01331-05	Washer, Flat, M5	10
170	58-60681-00	Washer, Nylon, M6-30	5
180	34-01184-58	Nut, Lock, M8 Nylock	1

Skins - Supra 660 and 760 without Standby

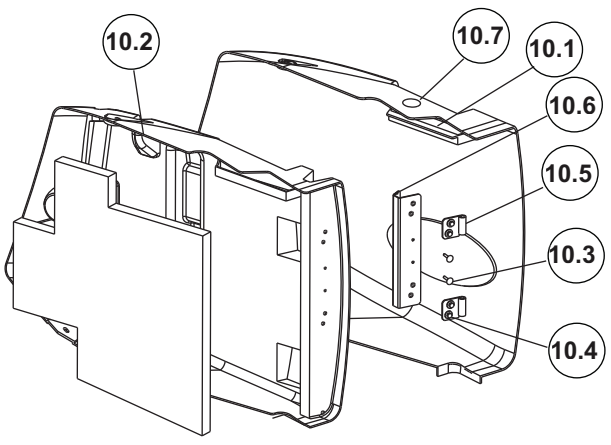


Skins - Supra 660 and 760 without Standby

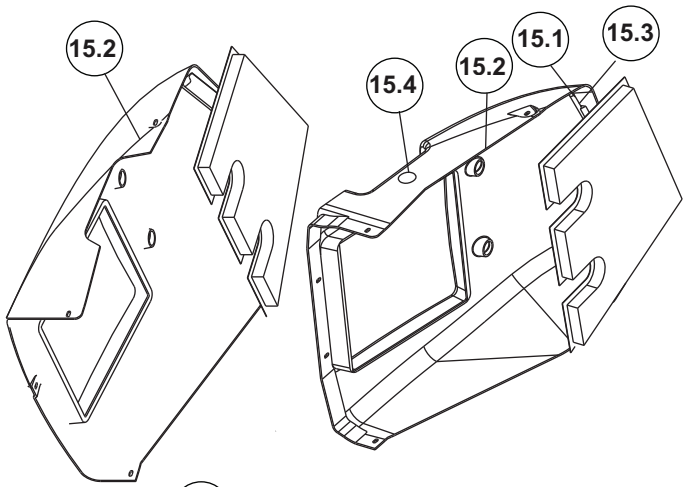


5.4 Quicklock Washer (Behind Carrier Decal)

5 Front Skin Assembly



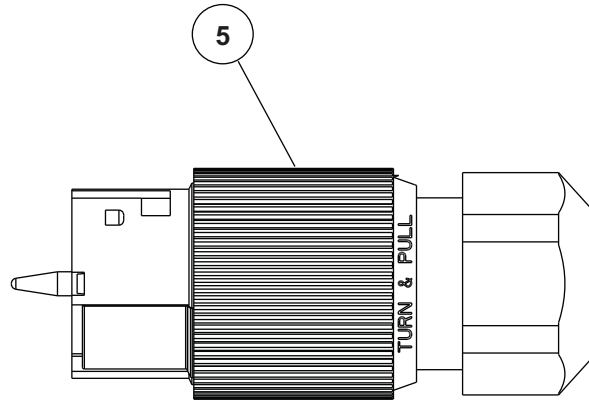
10 Door Assembly



15 Door Assembly

Item Number	Part Number	Part Description	Quantity
		Skins - Includes:	
5	79-60807-03	Skin Assembly - Includes:	1
5.1	58-60859-00	Skin, Front	1
5.2	62-03905-00	Decal, Air Flow Indicator	1
5.3	62-61648-00	Decal, Carrier	1
5.4	34-60263-08	Washer, Quicklock	4
10	79-60477-07	Door Assembly - Includes:	1
10.1	58-60540-03	Door, Extended Skin	1
10.2	58-60543-02	Door, Internal Skin	1
10.3	34-00774-10	Rivet, Blind, 0.189 Diameter	2
10.4	34-60068-20	Screw, M6 x 20mm Long	4
10.5	44-60113-00	Hinge	2
10.6	67-60487-00	Bracket	1
10.7	62-61454-00	Decal, Safety	1
15	79-60609-04	Skin Assembly - Includes:	1
15.1	58-60549-20	Panel Skin	1
15.2	56-61461-00	Tube, Roadside, 10MM OD x 1 Thick Steel	1
15.3	62-61454-00	Decal, Safety	1
15.4	58-60700-00	Stiffener, Door	4
20	67-01056-00	Bracket	1
23	67-01064-00	Bracket	1
25	86-61078-00	Tube Assembly	1
30	86-61165-00	Tube Assembly	1
35	67-01055-00	Bracket	1
40	44-01179-00	Hinge	1
50	34-01266-25	Screw, Cap, Hex Head, M6, 25MM, 1.0	8
55	34-01266-20	Screw, Hex Head, Sems, M6 x 20mm, Slotted	9
60	58-60306-06	Washer, Nylon, M6-18	3
65	58-60681-00	Washer, Nylon, M6-30	5
80	58-00079-00	Sta-Strap, Cable Clamp, 0-4.00 Diameter	1
90	34-01184-58	Nut, Lock, M8 Nylock	1
95	68-61978-00	Bracket, Front	1
100	58-60602-00	Deflector	1
105	34-00774-13	Rivet, Blind, 0.189 Diameter	11
110	34-01331-05	Washer, Flat, M5	4
115	68-61978-01	Bracket, Front	1

Standby Plug Kit (Multi-Temp Only)



Item Number	Part Number	Part Description	Quantity
	76-02007-00	Standby Plug Kit, 230V - Includes:	
5	22-02977-00	Plug, Female, 250V, 50A, 3-Phase	1
NS	22-02324-01	Bushing, 0.142 x 0.472, 10 AWG	4
NS	22-02324-02	Bushing, 0.177 x 0.59, 8 AWG	4

North America
Carrier Transicold
700 Olympic Drive
Athens, GA 30601 USA
Phone: 1-706-357-7223
Fax: 1-706-355-5435

Central America
and Mexico
Ejercito Nacional 253-A Piso 5
Colonia Anahuac
11320 Mexico, D.F.
Phone: 5531501 0
Fax: 5531501 0 ext. 1005



**United
Technologies**

Climate, Controls & Security

Carrier Transicold Division
Carrier Corporation
P.O. Box 4805
Syracuse, NY 13221 USA



A member of the United Technologies Corporation family. Stock symbol - UTX
©2017 Carrier Corporation - Printed in U.S.A. - 03/17