

"A" - "B" SERIES EP200 VACUUM PUMP

PUMP PACKAGE #2716305

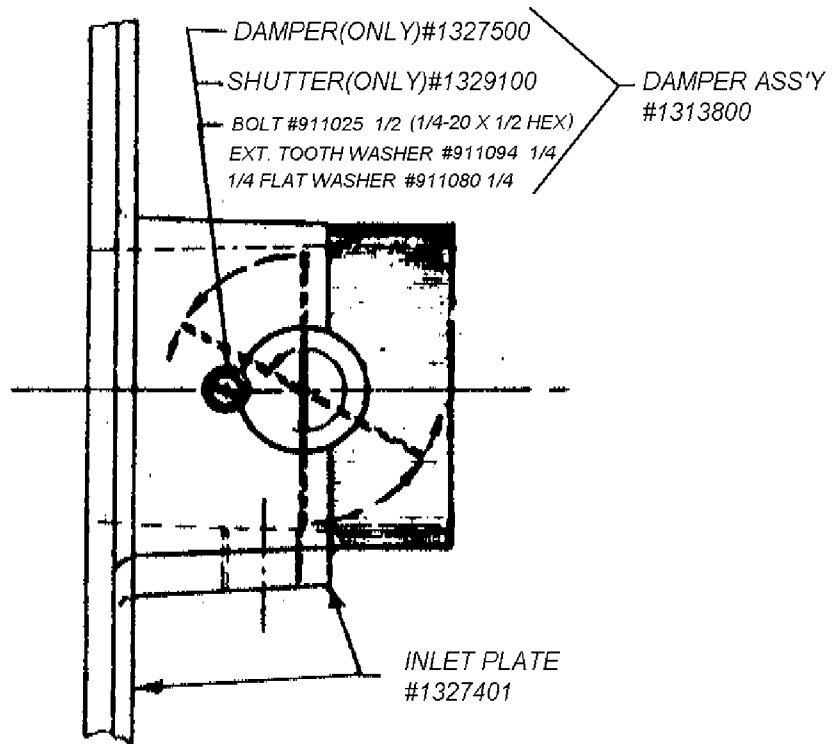
rev 5/2010

TROUBLE SHOOTING NOTES:

BURNER END VENT SHOULD
READ 2-3" WATER COLUMN
(2 1/2" IS IDEAL W/ SYSTEM HOT)

VACUUM SHOULD BE APPROX. 8"
@ V. PUMP INLET.....

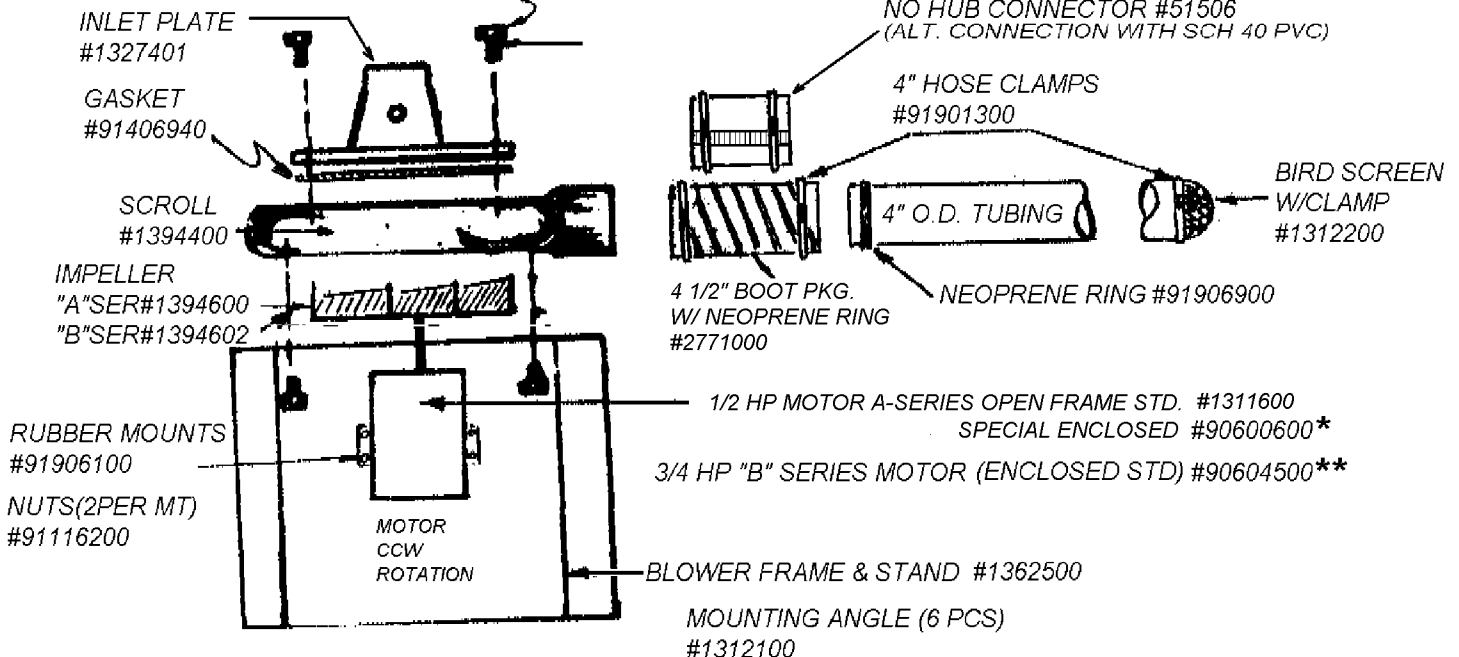
ALWAYS DOUBLE CHECK
THE ROTATION OF THE MOTOR



O/S AIR PROVING SWITCH #90434501

VACUUM SWITCH #90430600

LONG BOLTS ON
THIS SIDE OF PUMP
(INCLUDED IN PARTS
BAG #1311700)



* #90430600 VACUUM SWITCH INTERLOCK NEEDS TO BE USED
** STARTING 6/99 #90430600 VACUUM SWITCH INTERLOCK NEEDS TO BE USED