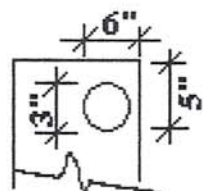
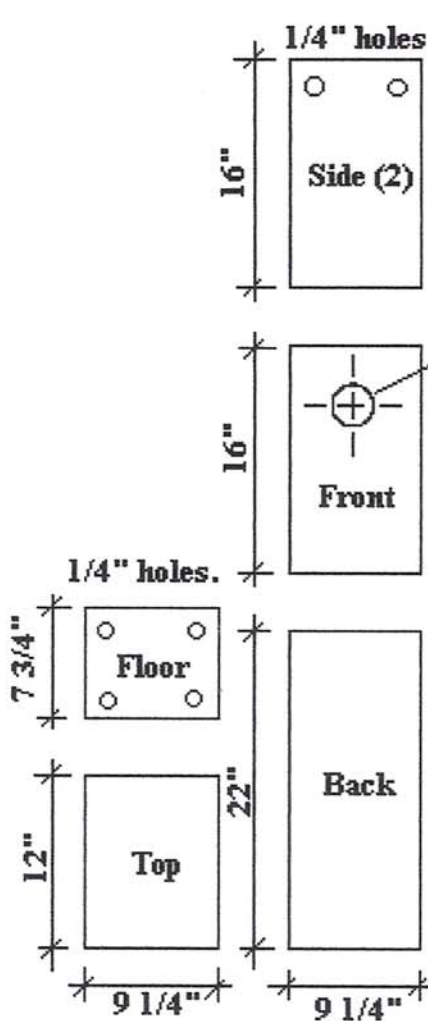
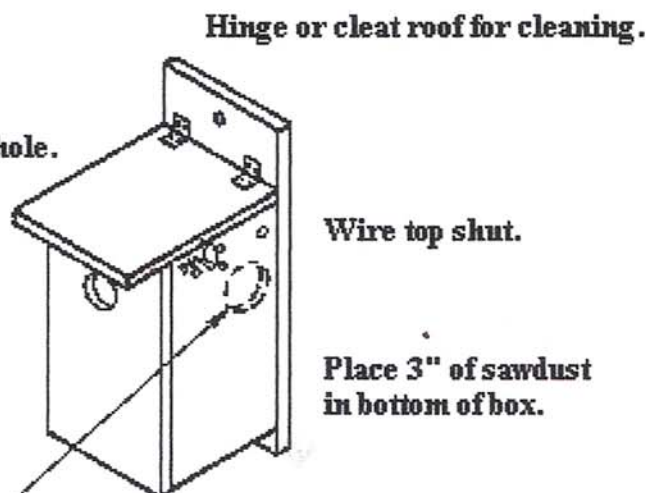


American Kestrel, Northern Screech-owl, Gray Squirrel, Red Squirrel, and Fox Squirrel Nest Box

To attract kestrels, place the box in relatively open country on a tree or post 10-30 feet high with grassy habitat nearby. Screech-owls can be attracted along the edges of hardwood forests adjacent to fields or wetlands. Boxes should be placed at least 10 feet high. Both the kestrel and owl boxes should include a predator guard to keep squirrels from using the nest boxes. Squirrels can be attracted by using this box and filling it half full of leaves and mounting at least 30 feet above the ground on a tree at least 10 inches in diameter. It is not necessary to clean out squirrel boxes.



Optional site for squirrel box entrance on side, not front.



Optional: Locate 3" diameter entrance hole here for squirrel box.

Lumber: One 1" x 10" x 8'0"

Save!

