

Model RS Series – Multi-Cartridge Sanitary Filter Housings



Model RS Series Multi-Cartridge Sanitary Filter Housings

High-quality, cost-effective sanitary filter housings suitable for pressures up to 150 psi and flow rates up to 120 gpm

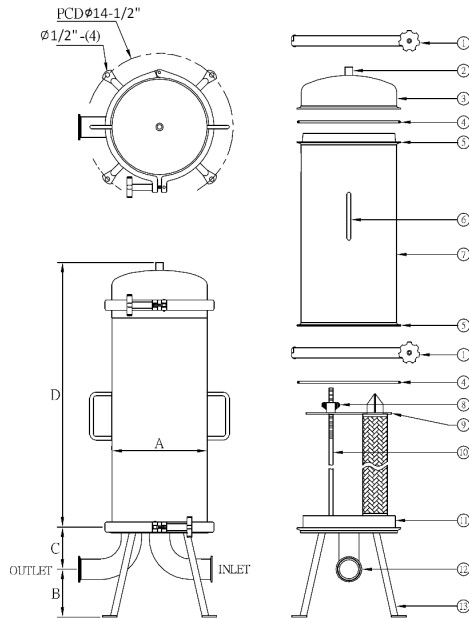
Description

Product:	Model RS Series—Multi-Cartridge Sanitary Filter Housings
Applications:	Sanitary pharmaceutical, bioprocess, food and beverage applications
Configuration:	3-6 multiple cartridges (222, 226)
Material of Construction:	Stainless steel construction (SS316, SS316L)
Inlet Outlet Connections:	1"-2" sanitary flange (Tri-Clamp)
Gauge Port/Vent/Drains:	Gauge 1", vent/drains 1/2" sanitary flange (Tri-Clamp)
Flow Rate:	Up to 120 gpm
Max. Pressure:	150 psi
Temperature:	210 °F
Surface finish:	Electropolished, interior 25µin Ra (0.6µm); exterior 32µin Ra (0.8µm)
Closure Mechanism:	Clamp
Seal type:	O-Ring (SILICONE, EPDM, VITON, PTFE encap. VITON)
Cartridge Size:	10", 20", 30" and 40"
Leg Support:	Stainless Steel (SS304)
Inlet outlet position:	Bottom in and bottom out
Customizations:	Other configurations are available upon request
Recommended Spare Parts:	O-Rings, Nuts for Screw Rod, Cartridge Hold-down Plates, Screw Rods



Model RS Series – Multi-Cartridge Sanitary Filter Housings

Dimensions



NO.	Description
1	Clamp
2	Port Vent
3	Top Cover
4	O-Ring
5	Shell Flange
6	Handle
7	Shell
8	Nut for Screw Rod
9	Cartridge Hold-down Plate
10	Screw Rod
11	Base
12	Port Inlet Outlet
13	Leg Support

PCD – Pitch Circle Diameter

Inch
[mm]

No of Cartridges NO	Cartridge Size	Flow GPM	Dimensions				Weight Lbs	Volume Gal
			A	B	C	D		
3-6	10"	15-30	9-1/4 [238]	4-3/4 [120]	4 [105]	16 [406]	46	3.7
	20"	30-60	9-1/4 [238]	4-3/4 [120]	4 [105]	26 [661]	57	6.3
	30"	45-90	9-1/4 [238]	4-3/4 [120]	4 [105]	35-3/4 [911]	65	9.2
	40"	60-120	9-1/4 [238]	4-3/4 [120]	4 [105]	45-3/4 [1161]	73	11.9

1. An additional clamp is applied to housings with cartridge sizes of 20", 30" and 40"
2. All dimensions are nominal and rounded to 1/4" in the format of inch

How to order

RS-	C-	05-	20-	S-	150-	020-	050-
	Material	No. of Cartridges	Cartridge Size	Connection Type	Pressure Rating	Connection Size	Flow Rate
	B-SS316 C-SS316L	03 04 05 06	10-10" 20-20" 30-30" 40-40"	S-Sanitary flange	150-150psi	010-1" 015-1-1/2" 020-2"	015-15 gpm 020-20 120-120

Example: RS-C-05-20-S-150-020-050-S-N

Product Codes (Cont'd)		Accessory Codes & Spare Parts Codes				
S -	N	RS	S-	C-	10-	NR
O-Ring	ASME Code		Spare Parts	Material	Cartri. Size	Type
S-SILICONE	N-No			B-SS316 C-SS316L	10-10" 20-20" 30-30" 40-40"	NR-Nut for Screw Rod CP - Cartridge Hold-down Plate SR-Screw Rod CL-Clamp
E-EPDM				S-SILICONE E-EPDM V-VITON P-PTFE encap. VITON		OR-O-Ring

Example: RSS-C-10-NR