

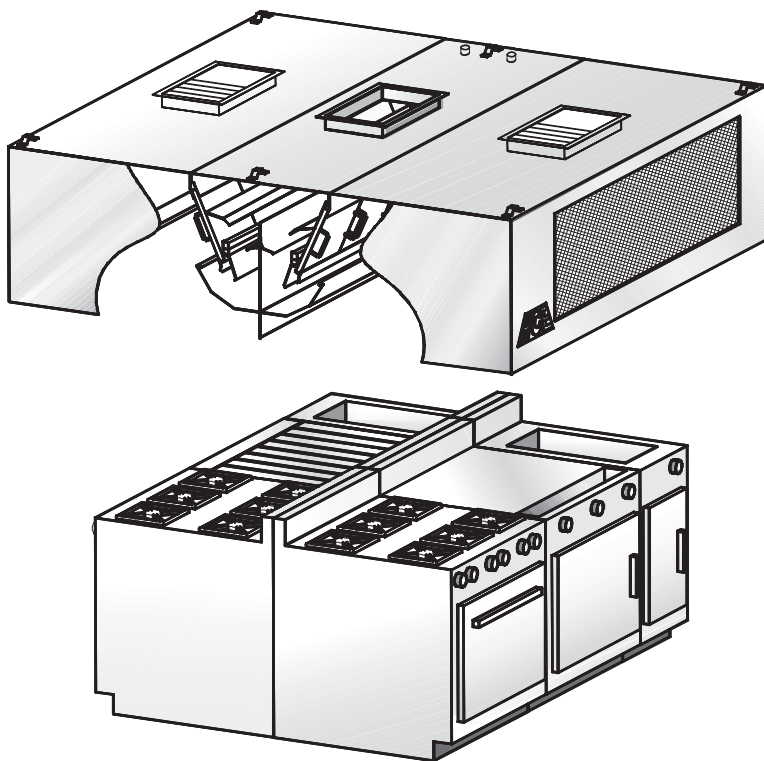
Model **AW-C-MKA**

Auto-wash hood

F

Description :


HCE auto-wash, island-type exhaust hood with adjustable extraction baffles to balance exhaust in the hood. Model AW-C-MKA.



Suggested model

- **Institutional kitchens**
(hospitals, schools, hotels, restaurant chains, etc.)
- **Steak houses**
- **Island application**

Specifications :

- Front supply of tempered make-up air
- Constructed of sturdy 18-gauge (1.2 mm) stainless steel
- Available in lengths of 3' 0" to 16' 0" (914 mm to 4,877 mm)
- Adjustable extraction baffles
- Daily cleaning cycle
- Helps keep extraction baffles clean
- Improves productivity by ensuring efficiency, performance and comfort for the kitchen staff
- Reduces the risk of fire
- Removable, dishwasher-safe extraction baffles
- Easy installation
- Listed 
- Many options available (see reverse)
- Quick delivery

Construction :

Exposed hood surface: type 304 stainless steel with #4 finish (brushed). Non-exposed hood surface: stainless steel with #2B finish, minimum 18-gauge (1.2 mm) thickness. All visible welded joints are polished to match original finish. To meet NFPA-96 requirements.

Installation :

Suspension (recommended height)

The hood should be installed 6' 6" (1,981 mm) from the floor. Hanging brackets are welded at all four corners.

Important: Horizontal ducts should be sloped toward the collars to prevent water from accumulating in the ducts.

Semi-combustible materials

A clearance of 3" (76 mm) is required when the hood is in contact with semi-combustible materials. As per NFPA-96 standards, a stainless steel spacer will be required.

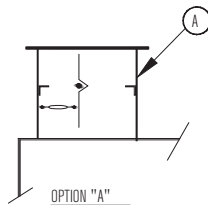
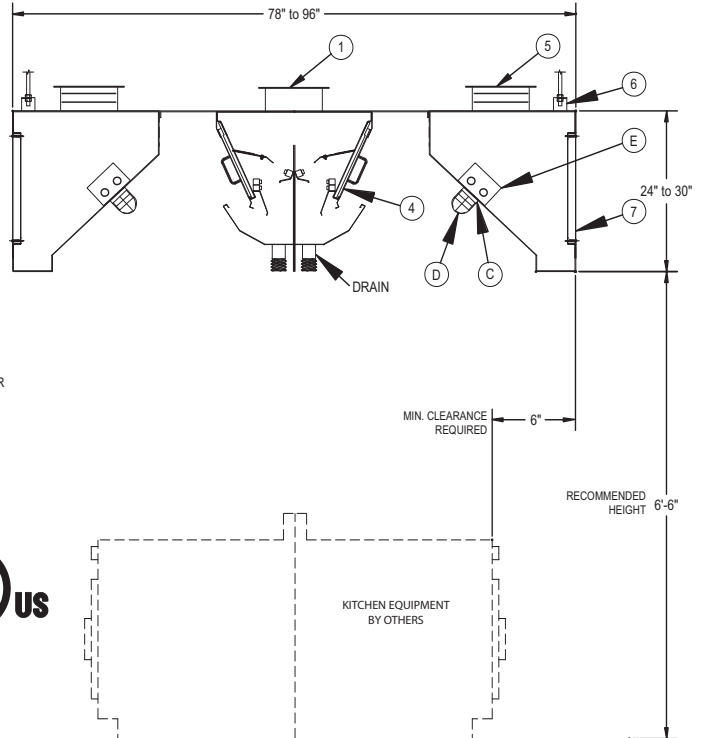
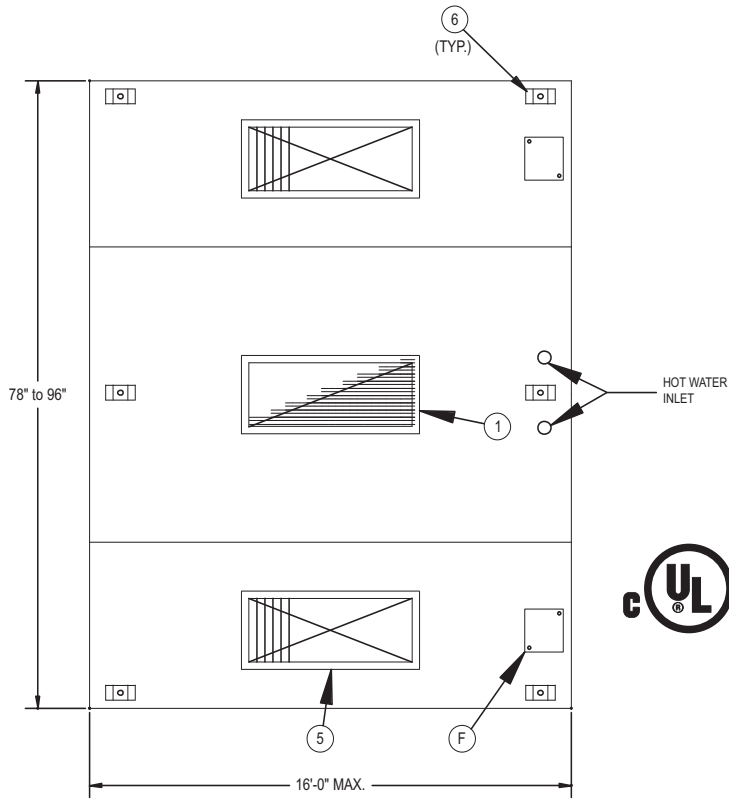
Enclosure panels (optional) :

The space between the top of the hood and the ceiling may be closed with stainless steel panels in the same finish as the hood.

Electrical :

Junction box and pre-wiring for lighting system may be factory installed if required.

F Auto-wash hood



Optional accessories: (see section "K" for details)

A	cULus-listed exhaust collar with fire damper
B	cULus-listed exhaust collar with balancing damper
C	Incandescent lights (Quantity recommended: (1) light per 5 linear feet of hood)
D	Wire guard for incandescent lights
E	36" or 48" fluorescent lights (Quantity recommended: (1) light per 8 linear feet of hood)
F	Junction box and pre-wiring for lighting
H	Enclosure panels, stainless steel with #4 finish, between hood and ceiling
I	PAC-02 programmable control panel
J	End skirts should be used to maximize hood performance

Accessories included:

1	Exhaust collar (3" high)
4	Removable extraction baffles
5	Supply collar with cULus-listed fire damper
6	Hanging brackets
7	Stainless steel supply grid

F Auto-wash hood

Length		520 CFM (245 L/S) / Linear Ft. *				Hot water flow	
		Exhaust		Collar/Opening 14" (356 mm) x _____		US GPM @ 20 psi	L/m @ 1.4 kg/cm ²
Feet	mm	CFM	L/S	Inches	mm		
3'-6"	1068	1800	850	14	356	6,24	23,62
4'-0"	1220	2100	990	14	356	7,02	26,57
4'-6"	1372	2300	1085	16	406	7,80	29,52
5'-0"	1524	2600	1225	18	457	8,58	32,48
5'-6"	1676	2850	1345	20	508	9,36	35,43
6'-0"	1828	3100	1465	22	559	10,14	38,38
6'-6"	1981	3400	1605	24	610	10,92	41,33
7'-0"	2134	3650	1725	26	660	11,70	44,29
7'-6"	2286	3900	1840	28	711	12,48	47,24
8'-0"	2438	4150	1960	30	762	13,26	50,19

* Exhaust for 84" (2,130 mm) and 96" (2,440 mm)-deep hoods. Contact us for assistance to determine the appropriate air volume.

Notes: For AW-C-MKA central hoods more than 8' in length, use AW-MKA wall-type hoods back to back.

	Exhaust VOLUME (CFM /Lin. Ft.)	Internal pressure loss (IN / H ₂ O)	Exhaust VOLUME (L/S per linear metre)	Internal pressure loss (Pa)
Light cooking	450	0,8	696	200
Medium cooking	520	1,0	800	250
Heavy cooking	700	1,65	1080	412

Length		Supply		Collar/Opening 12" (305 mm) x _____	
Feet	mm	CFM	L/S	Inches	mm
3'-6"	1068	1400	660	(2) 12	(2) 305
4'-0"	1220	1650	780	(2) 12	(2) 305
4'-6"	1372	1800	850	(2) 14	(2) 356
5'-0"	1524	2050	970	(2) 14	(2) 356
5'-6"	1676	2250	1060	(2) 16	(2) 406
6'-0"	1828	2480	1170	(2) 18	(2) 457
6'-6"	1981	2720	1285	(2) 20	(2) 508
7'-0"	2134	2950	1390	(2) 22	(2) 559
7'-6"	2286	3150	1485	(2) 22	(2) 559
8'-0"	2438	3350	1535	(2) 24	(2) 610



Notes:

- Hot water inlet connection required :
3/4" (19 mm) Ø from 3'6" (1,068 mm) to 8' (2,348 mm).
- Pressure required: 40-70 psi (2,8-4,9 kg/cm²).
- Recommended hot water temperature: 120° to 170° F (49° to 77° C).
- Drain connection: 2" (50 mm) Ø for all hoods.