

St. Paul's Lutheran Church

Red Hook, NY

Dear Community Member,

St. Paul's has been a major center point of the village of Red Hook since 1890. It was listed on the National Register of Historic Places in 1998. The church was built in the Romanesque Revival style and includes 25 beautiful stained-glass windows which are of rolled cathedral and opalescent glass, with jewels arranged in patterns.

Over the years, the stained-glass windows have deteriorated from exposure to the elements. They were covered on the outside with thermoplastic to protect them, but it has discolored over the years and their beauty is not visible from the outside.

Through the generosity of many, the east and west windows are complete. It is time now to complete the remaining windows. Since our previous campaign, **Let There Be Light**, we have continued fundraising to achieve the goal of total restoration of St. Paul's stained-glass windows. We are again pursuing grants and continuing sponsorships of specific windows with the goal of raising \$81,000 with our **Let the Light Shine In** campaign. This campaign will allow us to complete all of the windows.

The following sponsorship opportunities are available:

ARCH WINDOW SPONSOR (5 available)

\$2,500 – \$7,500 – there are ten arch windows of three different sizes on the north and south sides of the church. All are stained glass with sandstone voussoirs.

SACRISTY WINDOW SPONSOR (4 available)

\$2,000 – there are 4 windows on the west side of the church that allow light into the sacristy and vestry. All are stained and highly visible from the cemetery.

TOWER WINDOW SPONSOR (7 available)

\$1,500 – there are seven windows of varying sizes on the bellow tower. These windows are quite visible while traveling south on Red Hook's main road, Route 9.

RESTORATION SPONSOR (unlimited)

\$1,000 donation – supports the overall restoration of the stained-glass windows.

Sponsors will have their name, or an acknowledgement of their choice, engraved on a commemorative plaque mounted below the sponsored window. We welcome gifts of any level to help restore the beauty of this historic landmark.

To reserve your sponsorship or make a gift, please see the attached registration form. If you have any questions or would like to enter the church to view the windows, please call Brad Patton at (845) 702-0082 and he'll be happy to answer all your questions or set up a visit. As always, all are welcome to worship with us weekly at our 11AM service.

Yours in Christ,
St. Paul's Lutheran Church



Let the Light Shine In **Window Restoration Campaign**



LEARN MORE

Opportunities to Give

(see reverse for key)

Arch Window Sponsor

Level I (3) – \$7,500 donation

Level II (2) – \$2,500 donation

Sacristy Sponsor

(4) - \$2,000 donation

Tower Sponsor

(7) - \$1,500 donation

Restoration Sponsor – \$1,000 donation

Other _____

Payment Options

- Enclosed is my check made payable to:
St. Paul's Lutheran Church
- Cash transfers (Venmo or Cash App)
options are also available
 - Contact: (845) 702-0082
- Gofundme: <https://gofund.me/e2fcb560>

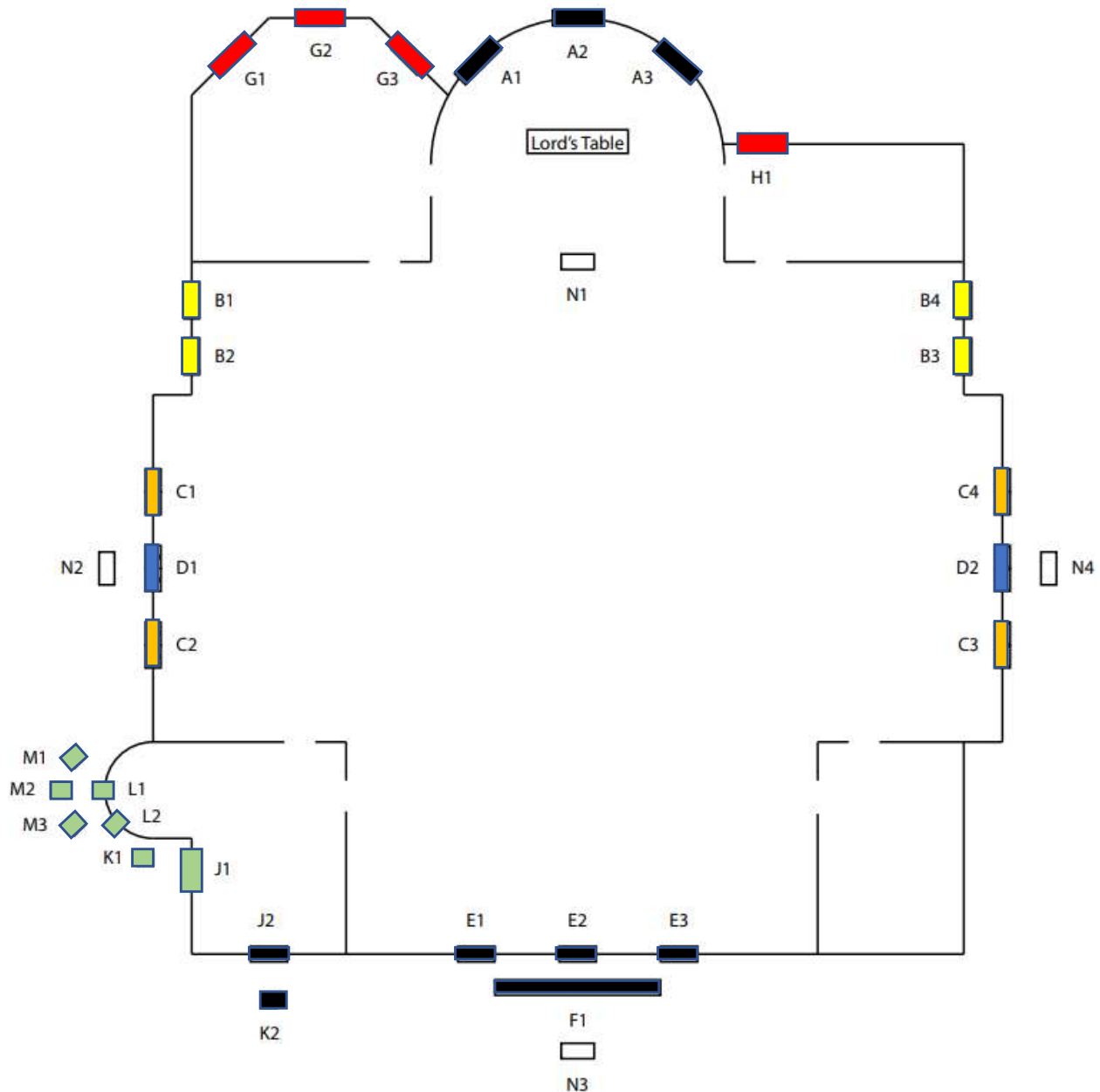
Kindly return this form to:

St. Paul's Lutheran Church
7412 South Broadway, Red Hook, NY 12571
or call (845) 702-0082



DONATE NOW

Sponsorship Key



Specific window you would like to sponsor: _____

Name and contact info: _____

- Completed Windows from Phase I
- **D1, D2 - Arch Window Sponsor** – \$10,000 donation (0 available)
- **C1, C2, C3, C4 - Arch Window Sponsor** – \$7,500 donation (3 available)
- **B1, B2, B3, B4 - Arch Window Sponsor** – \$2,500 donation (2 available)
- **G1, G2, G3, H1 - Sacristy Sponsor** - \$2,000 donation (4 available)
- **M1-M3, L1-L2, K1, J1 - Tower Sponsor** - \$1,500 donation (7 available)
- **Restoration Sponsor** – \$1,000 donation (all other windows)