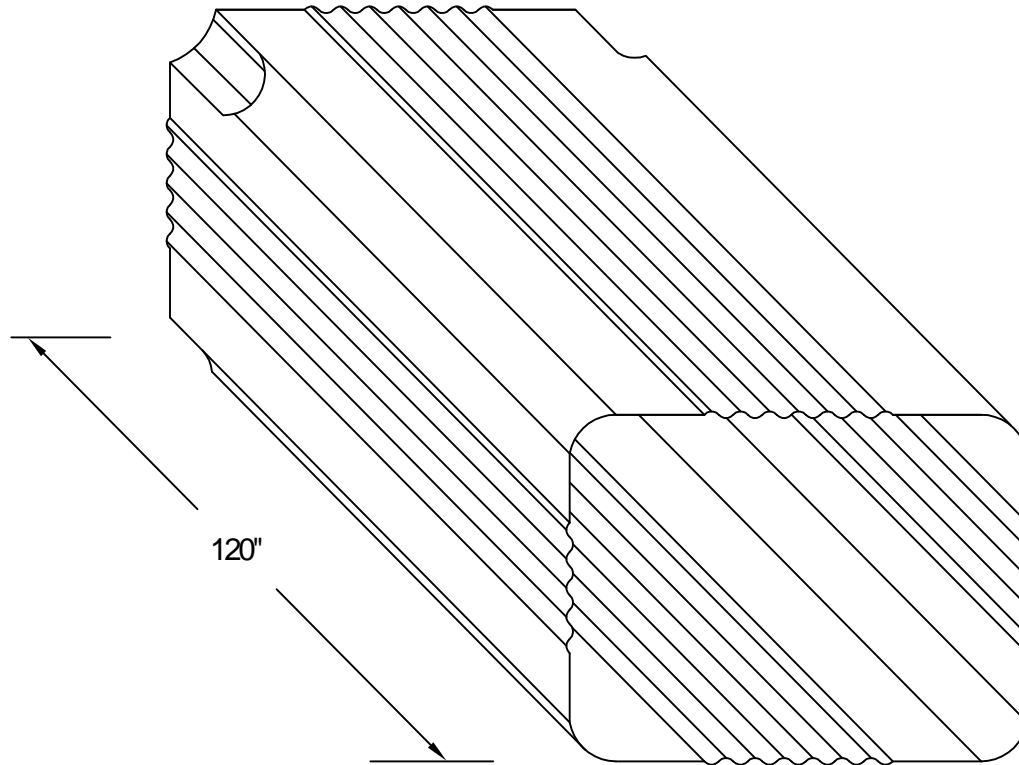


CORRUGATED DOWNSPOUT



MATERIAL (please choose one):

- | | |
|--------------------------------------|--|
| <input type="checkbox"/> 24 GA Steel | <input type="checkbox"/> .032 Aluminum |
| <input type="checkbox"/> 22 GA Steel | <input type="checkbox"/> .040 Aluminum |

Color: _____

Finish: _____

Quantities:

_____ LINEAR FEET (120" Long parts)

_____ OUTLETS

3" X 4"

4" X 5"

Sheet ___ of ___

DWG# 700-006

Notes:

- 1) Written approval is required prior to fabrication, contractor is responsible for all dimensions and quantities. Fabricated items are not returnable.
- 2) Parts are in lengths of 120" each.
- 3) 20' sections are available upon request, additional shipping costs apply.

Temple Architectural Products
638 Moore Rd
Avon Lake, OH 44012

Phone: (216) 440-3595
Alternate: (330) 348-3983
Fax: (440) 653-9883

Project Name: _____

Installing Contractor: _____

Contact Name: _____

Contact number: _____

Signed Approval: _____