

TPU 432 & TPU 433

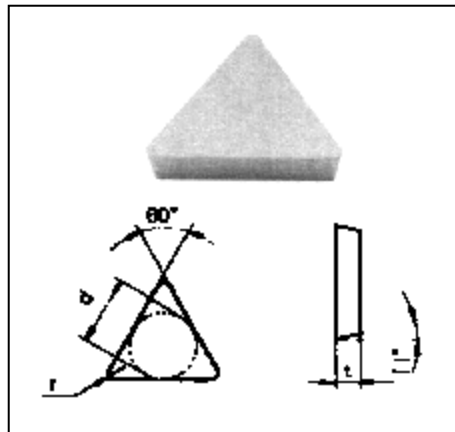
P35M Insert

SPECIAL

\$4.95/ea

SPECIAL

20 pieces
Minimum order



Style	Order No.	ISO	(inch) Dimensions		
			d	t	r
TPU	432	220408	1/2	3/16	1/32
	433	220412			3/64

COLBIDE GRADE SYSTEM FOR UNCOATED MILLING INSERTS

P35M	Tungsten Carbide	An uncoated grade designed with the quality of toughness for shock and wear resistance. The flank wear is consistent reducing chipping and thermo cracks. These qualities make P35M an excellent investment when milling most steels.
-------------	------------------	---

COLBIDE GRADE COMPARISON CHART FOR UNCOATED MILLING INSERTS*

ANSI	COLBIDE	Iscar	Kennametal	Sowa	Sandvik	Seco	Widia
C5	Milling Steels P35M	IC50M	K125M	PTM30U	SM30	S60M	TTR

*Based on published data and not authorized by each manufacturer.

EMAIL: colbide@colbidecanada.ca
Phone: 905-682-7265
Toll Free: 1-800-263-9860