

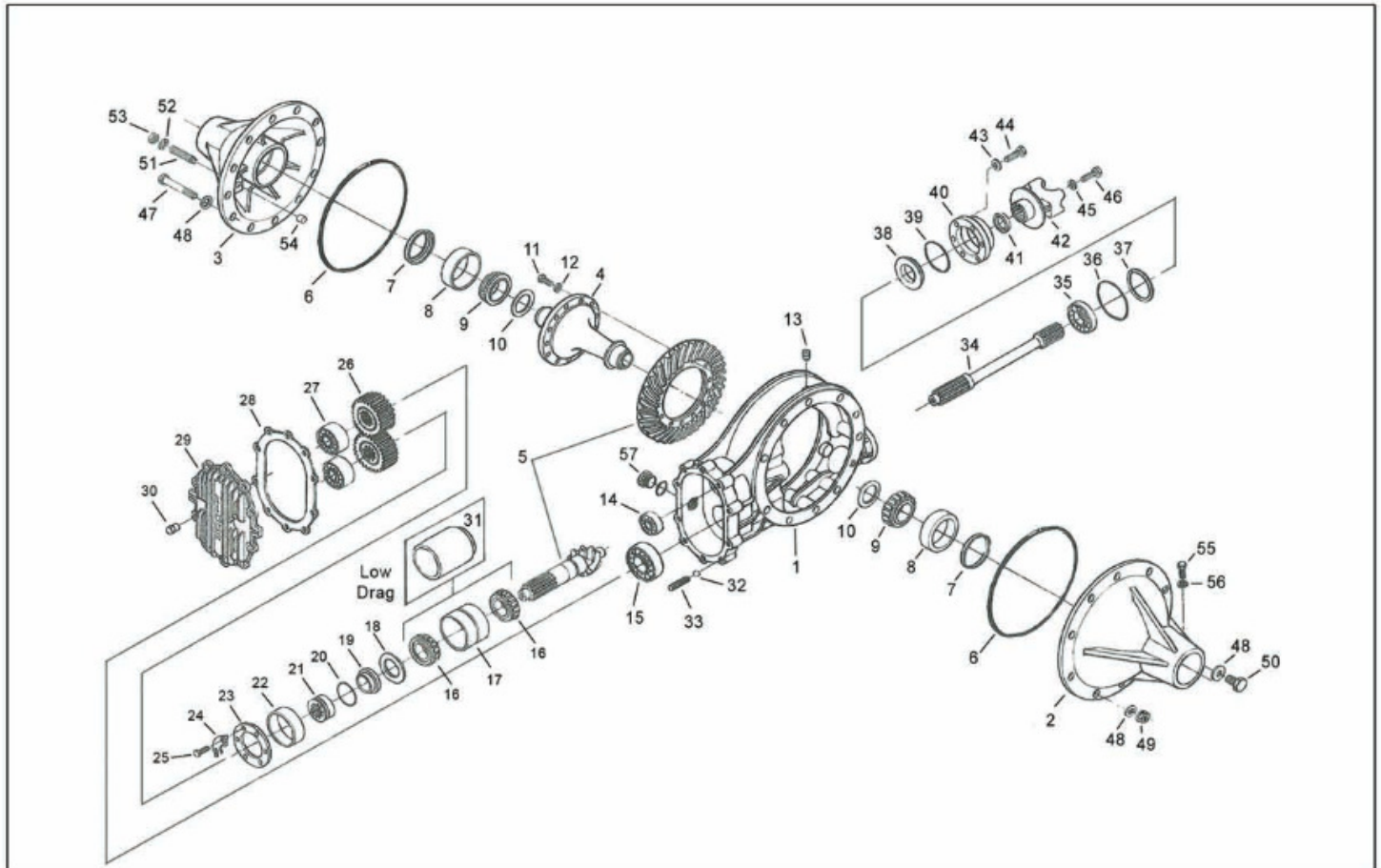
# Tiger Quick-Change Rear End Internal Parts Breakdown



All Tiger Quick-Change Service Parts  
Available At Racecar Engineering



800-882-7231 — [sales@racecareng.com](mailto:sales@racecareng.com)



## ITEM NO. PART NO. DESCRIPTION

1	TG-2101	Aluminum Sprint Center Section
2	TG-2201	Aluminum 6 Rib Right Side Bell
3	TG-2202	Aluminum 6 Rib Left Side Bell
4	TG-2401	Aluminum 31 Spline Spool
5	TG-2601	4.86 Ring & Pinion (Standard)
6	TG-2203	O-Ring (6 Rib)
7	TG-2204	Low Drag Side Bell Seal (Locker Seal)
8	TG-2206	Side Bell Bearing Race
9	TG-2406	Carrier Bearing (Differentials & Spools)
10	TG-2408	Shim Kit
11	TG-2055	Ring Gear Bolts (Threaded Ring Gear)
12	TG-2054	Ring Gear Bolts (Thru Bolts)
13	TG-2214	3/8 Square Head Pipe Plug
14	TG-2606	Pinion Nose Roller Bearing
15	TG-2501	Lower Shaft Shielded Ball Bearings
16	TG-2610	Pinion Shaft Bearing Tapered Cone
17	TG-2611	Pinion Shaft Bearing Cup
18	TG-2612	Pinion Bearing Washer
19	TG-2613	Posi Lock Nut (Right Hand)
20	TG-2617	Posi Lock O-Ring
21	TG-2618	Posi Lock Retainer
22	TG-2619	Pinion Retaining Ring Spacer
23	TG-2620	Pinion Retaining Plate
24	TG-2622	Retaining Plate Locking Tab
25	TG-2621	3/8-16 x 1 Retaining Plate Bolts
26	TG-SET+Set #	Gear Sets
27	TG-2302	Ball Bearing (Rear Cover)
28	TG-2313	Rear Cover Gasket
29	TG-2303	Gear Cover Without Bearings
30	TG-2075	Steel High Nut

## ITEM NO. PART NO. DESCRIPTION

31	TG-2607	Low Drag Pinion Bearing
32	TG-2308	5/16 Diameter Steel Balls
33	TG-2307	Gear Cover Studs 3/8-16 x 1.5
34	TG-2503	Lower Heat Treated Jackshaft
35	TG-2504	Lower Shaft Front Bearing
36	TG-2701	Outer Seal Plate O-Ring
37	TG-2702	Seal Plate Snap Ring
38	TG-2704	Viton Yoke Seal
39	TG-2713	Inner Seal Plate O-Ring
40	TG-2705	Seal Plate Aluminum
41	TG-2708	Yoke Spacer
42	TG-2709	Drive Yoke 1310
43	TG-2706	3/8 Flat Washer
44	TG-2707	3/8-16 x 1.25 Seal Plate Bolts
45	TG-2711	Drive Yoke Retaining Washer
46	TG-2712	Drive Yoke Bolt 3/8-24x1.25
47	TG-2207	Side Bell Thru Bolt 7/16-20x5 1/2
48	TG-2209	Side Bell Thru Bolt SAE Flat Washer 7/16
49	TG-2210	Side Bell Thru Bolt 7/16-20 Flanged Lock Nut
50	TG-2208	Side Bell Bolt 7/16-14 1.25
51	TG-2624	1/2-13 Adjusting Screw
52	TG-2626	Aluminum Flat Washer
53	TG-2627	1/2-1/3 Jam Nut
54	TG-2628	Thrust Block
55	TG-2211	Side Bell Tube Bolt 3/8-24x1
56	TG-2213	3/8 Flat Washer
57	TG-2102	Inspection Plug With O-Ring

Order Online On Our Website: [WWW.RACECARENG.COM](http://WWW.RACECARENG.COM)