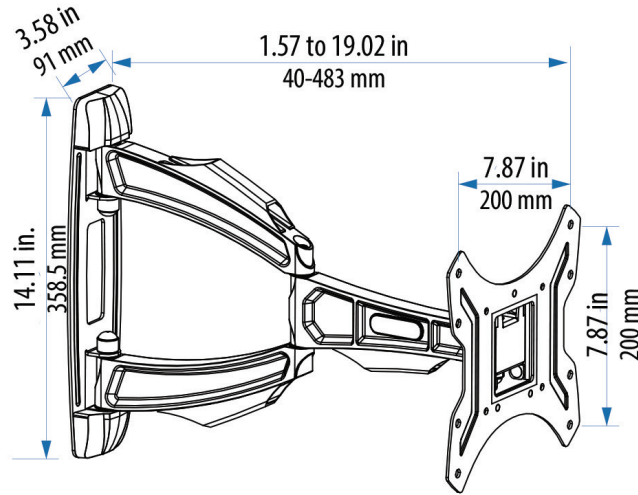


# Apollo Weatherproof Mount Selections

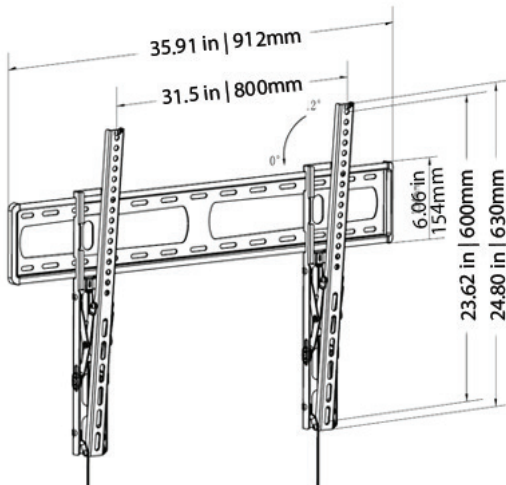
## for Apollo Enclosure Model AE4239 and 32- to 43-in. Outdoor TVs

Apollo weatherproof full-motion wall mount, non-articulating wall mount, or adjustable-height ceiling mount are manufactured with weatherproof construction and stainless steel hardware.

AWM 207 Articulating Wall Mount Specifications	
Description	Weather resistant aluminum arm, super slim full-motion, tilting wall mount with stainless steel hardware, Black.
Extension	2" to 18.9" (40 to 480mm)
Tilt	Adjustable from -2° to 12°
Swivel Angle	-180° to +180°
Mount Weight	9.9 lbs. (4.5 kg)
Shipping Weight	10.5 lbs. (4.8 kg)
Shipping Carton	16.6" H x 15.9" W x 3" D (655 x 180 x 485 mm)



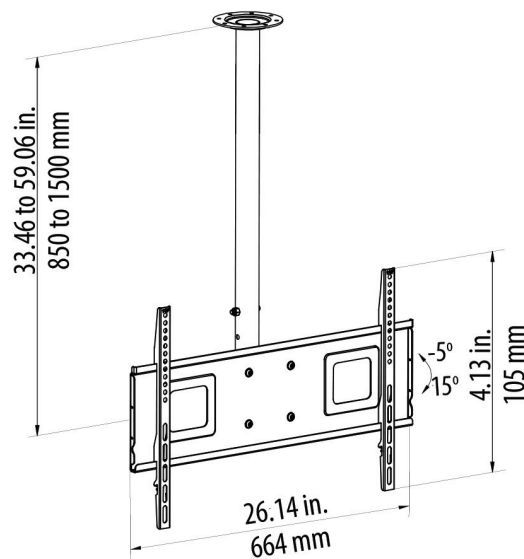
OR



WM607NA Non-Articulating Wall Mount Specifications	
Description	Weather resistant non-articulating wall mount with stainless steel hardware, Black.
Tilt	Adjustable from 0° to 12°
Mount Weight	11.02 lbs. (5.0 kg)
Shipping Weight	12.13 lbs. (5.5 kg)
Shipping Carton	36.93" H x 6.61" W x 1.97" D (938.02 x 168 x 50mm)

OR

CM307 Ceiling Mount Specifications	
Description	Weather resistant adjustable height, tilting and swivel ceiling mount with ceiling plate. Black.
Extension	33.5" - 59" (850 to 1500mm)
Tilt	-5° to 15°
Product Weight	14.65 lbs. (6.7 kg)
Shipping Weight	15.85 lbs. (7.2 kg)
Shipping Carton	33.9" H x 8-1/2" W x 4.6" D (861.1 x 215.9 x 116.8 mm)



[www.apolloenc.com](http://www.apolloenc.com) | 888.414.5919

Copyright 2016 Apollo Enclosures, All rights reserved

Rev 161221