

Technical Bulletin

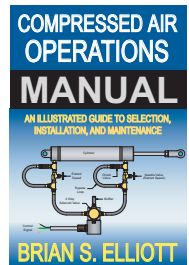
Copyright 2007 by Air Options, Inc.

Length of Thread Required to Make a Tight NPT Joint

Pipe Size	Pressure Tight Joint	Hand Tight Engagement
1/8"	.250"	.156"
1/4"	.375"	.228"
3/8"	.375"	.250"
1/2"	.500"	.312"
3/4"	.562"	.344"
1"	.687"	.406"
1-1/4"	.687"	.562"
1-1/2"	.687"	.562"
2"	.750"	.437"
2-1/2"	.937"	.687"
3"	1.000"	.750"
3-1/2"	1.062"	.812"
4"	1.125"	.875"

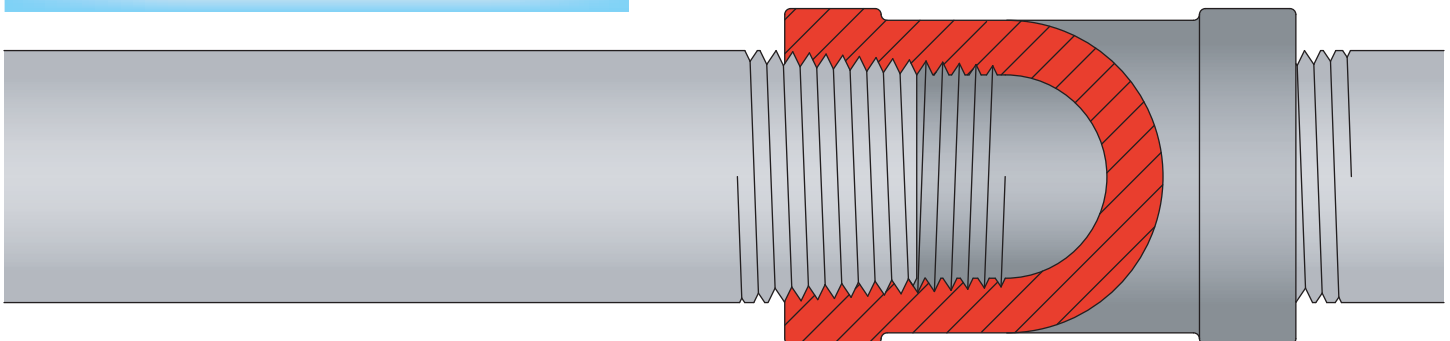
The chart to the left shows nominal thread engagement for hand tight and pressure tight joints using national taper pipe threads (NPT). It should be noted that many factors can affect the engagement lengths of pipe threads, such as sharpness and adjustment of the dies used to cut the threads. The individual technique of the machinist or plumber operating the threading equipment can also affect the thread engagement. Burrs and dirt on the finished threads will usually affect engagement and prevent proper seating. Before make-up, both male and female threads should be thoroughly cleaned and free of any dirt, chips or burrs. Generally, it's a good idea to use an ordinary wire brush to clean external threads and a circular wire brush mounted in a hand drill to clean internal threads.

Comprehensive information on compressed air systems is provided in the book "Compressed Air Operations Manual" by Brian S. Elliott, ISBN: 0-07-147526-5 Published by the McGraw-Hill Book Co.



www.Air-Options.com

A



Air Options, Inc.
P.O. Box 35984
Houston, Texas 77235-5984
Ph.: 713-721-9619
Fax.: 713-721-1931

AIR-OPTIONS, INC.

Refrigerated Air Dryers • Traps • Oil/Water Separators • Compressor Mounts • Compressor Controls