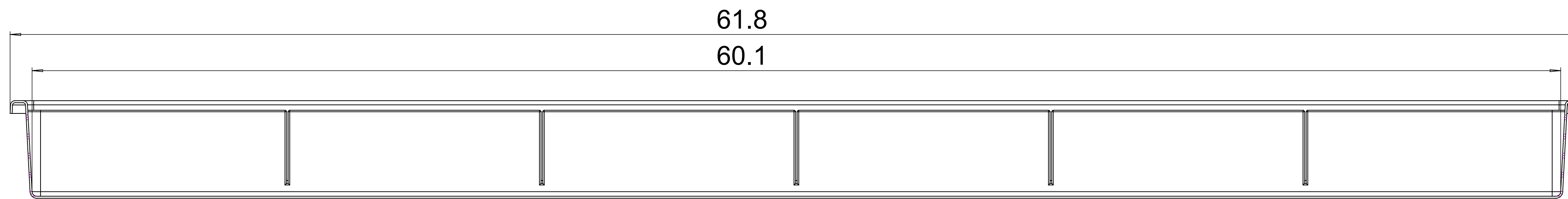
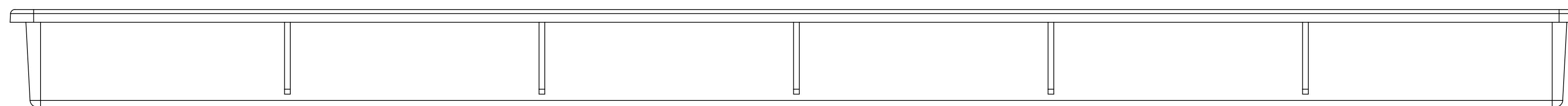


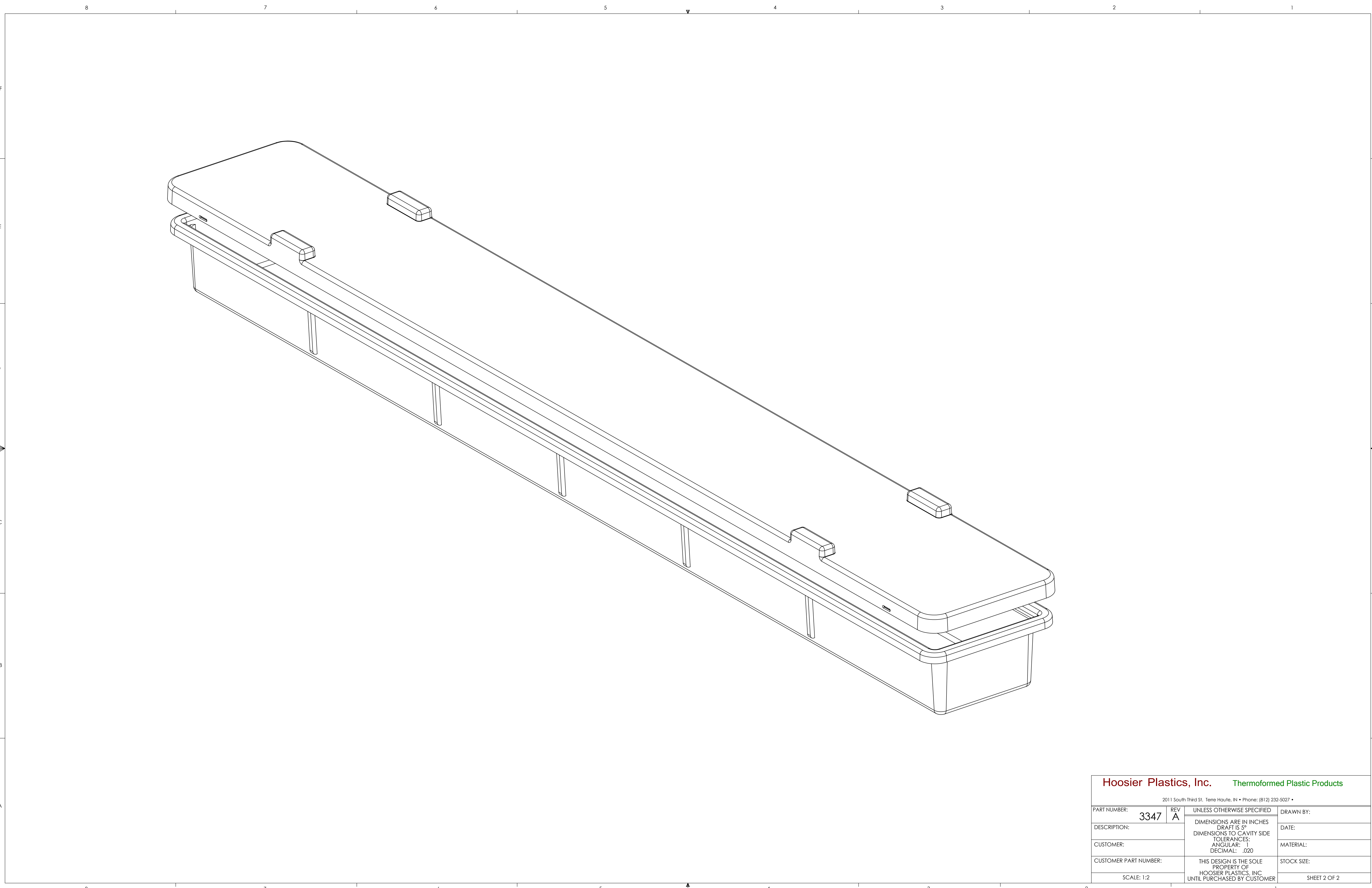
SECTION A-A
SCALE 1:3



SECTION B-B
SCALE 1:3



Hoosier Plastics, Inc. Thermoformed Plastic Products			
<small>2011 South Third St. Terre Haute, IN • Phone: (812) 232-5027 •</small>			
PART NUMBER: 3347	REV A	UNLESS OTHERWISE SPECIFIED DIMENSIONS ARE IN INCHES DRAFT IS 3° DIMENSIONS TO CAVITY SIDE TOLERANCES: ANGULAR: ± DECIMAL: .020	DRAWN BY: MJM
DESCRIPTION: TUBE TRAY			DATE: 8/23/2004
CUSTOMER: ---			MATERIAL: DOW 555 ABS
CUSTOMER PART NUMBER: ---		THIS DESIGN IS THE SOLE PROPERTY OF HOOSIER PLASTICS, INC. UNTIL PURCHASED BY CUSTOMER	STOCK SIZE: 3.8" x 5.5" x 60.0"
SCALE: 1:3			SHEET 1 OF 2



Hoosier Plastics, Inc. Thermoformed Plastic Products <small>2011 South Third St. Terre Haute, IN • Phone: (812) 232-5027 •</small>			
PART NUMBER:	3347	REV A	UNLESS OTHERWISE SPECIFIED
DESCRIPTION:			DIMENSIONS ARE IN INCHES DRAFT IS 3°
CUSTOMER:			DIMENSIONS TO CAVITY SIDE TOLERANCES: ANGULAR: 1° DECIMAL: .020
CUSTOMER PART NUMBER:			THIS DESIGN IS THE SOLE PROPERTY OF HOOSIER PLASTICS, INC UNTIL PURCHASED BY CUSTOMER
SCALE: 1:2			DRAWN BY: DATE: MATERIAL: STOCK SIZE: SHEET 2 OF 2