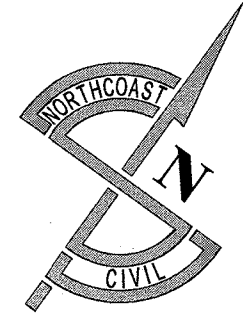


ATLAS LOCATION



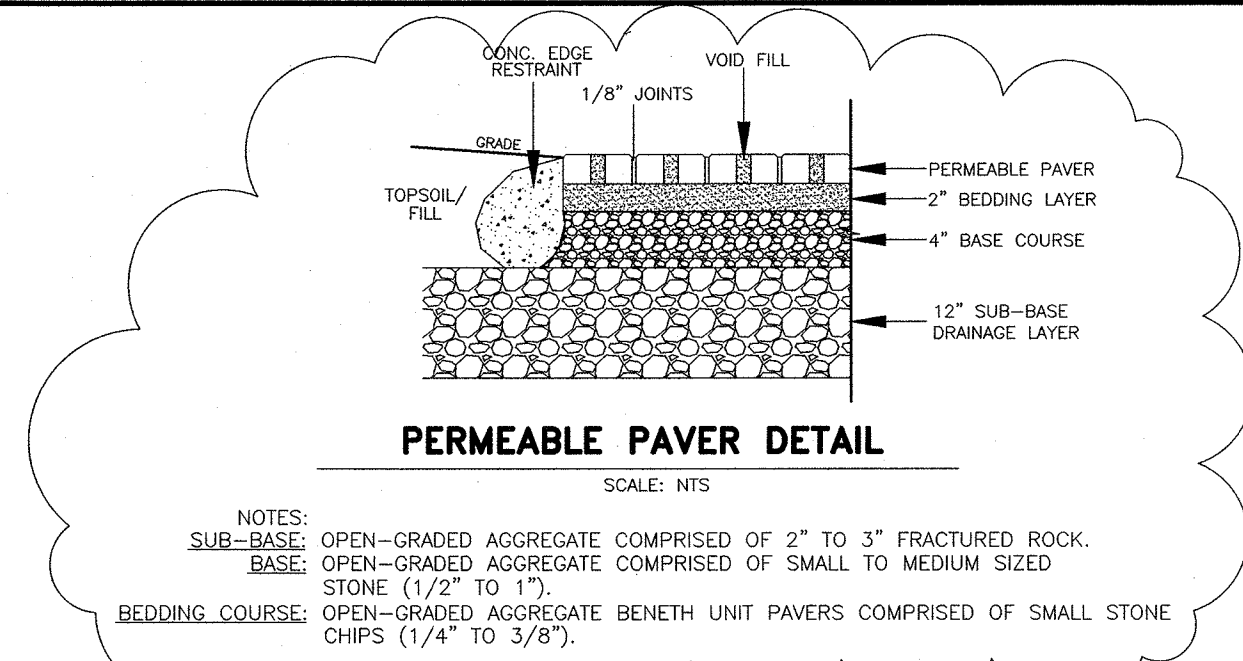
LEGEND

□ C.B.	Catch basin
○ G.V.	Gas valve
⊕ M.H.C.	Manhole cover
⊕ Hyd.	Hydrant
⊕ L.P.	Light pole
⊕ S.I.D.	Surface inlet drain
⊕ U.P.	Utility pole
⊕ W.M.	Water Meter
⊕ W.V.	Water valve
□ A/C	Air Conditioner
— OHP	Overhead Wires

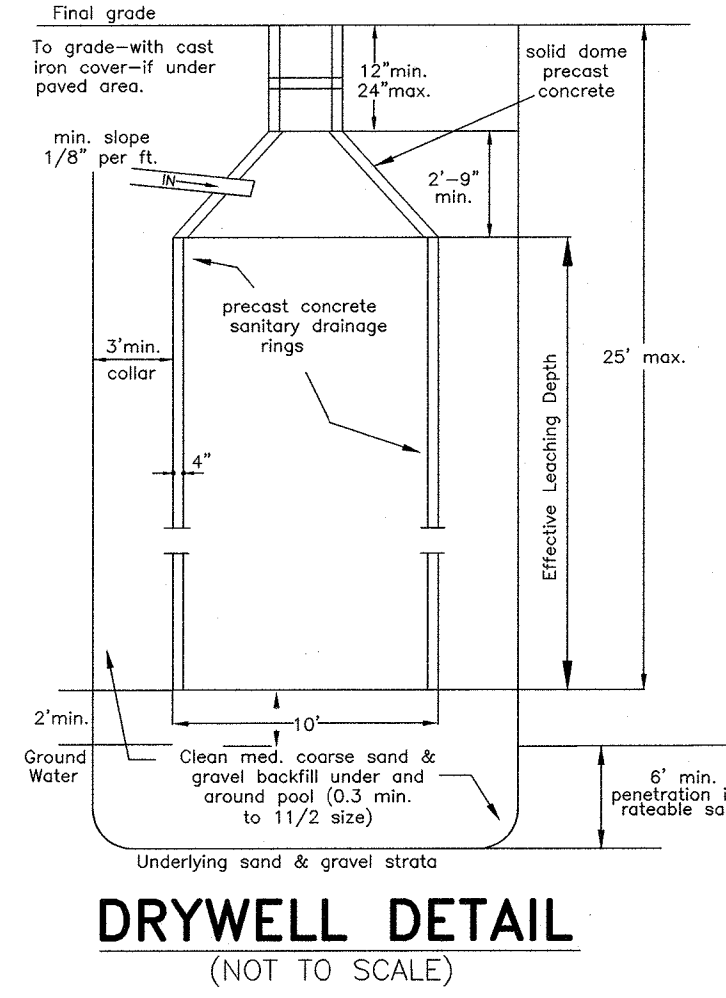
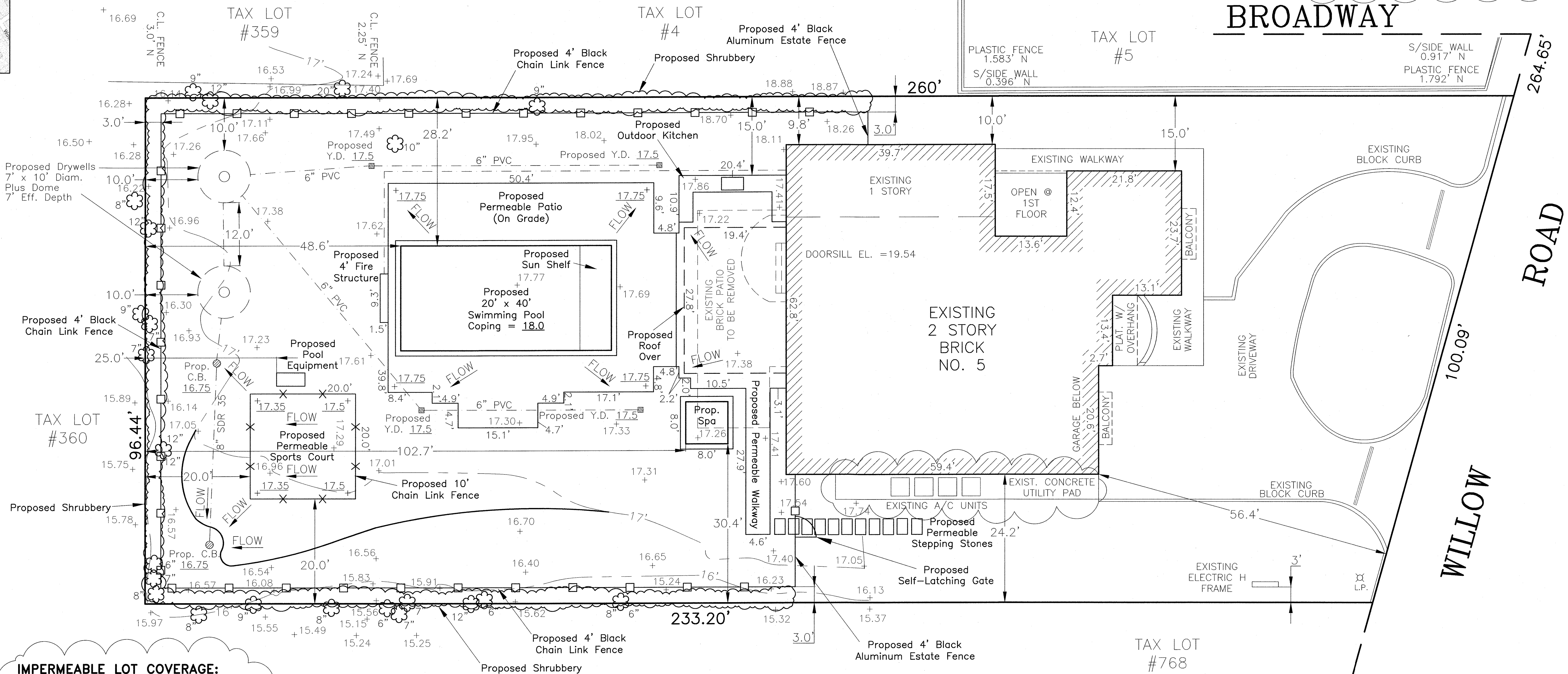
Legend:
 Exist. Contour As Shown: _____
 Prop. Contour As Shown: _____
 Prop. Spot Grade: 184.75
 Exist. Spot Grade: 184.75
 Limits of Disturbance As Shown: _____
 Trees To Be Removed As Shown: ☒
 Total Trees To Be Removed: 0
 Proposed Silt Fence As Shown: [Symbol]

Note: Doors leading into pool enclosure area to have door alarms—R326.4.2.8
 Note: All water either overflowing or emptying from the pool shall be disposed of on the owners property.
 Note: All lights used to illuminate the swimming pool or pool area shall be shielded so as to prevent the shining upon the property of any adjacent property owner.
 Note: No Loudspeaker device or equipment of any kind shall be installed or used in or about the swimming pool or pool area unless same shall be muted so as to prevent any noise from being heard beyond the property lines of the owner's land.
 Note: Swimming pool shall be equipped with an approved pool alarm device as per the Residential Code of New York State. The alarm shall be capable of detecting a child entering the water and giving an audible alarm when it detects a child entering the water. The alarm shall be classified by Underwriters Lab (or other approved independent testing lab) to reference standard ASTM F2208 and shall produce audible pooise and at another location on the premises where the swimming pool is located. All devices shall be installed, used and maintained in accordance with the manufacturer's specifications.

Note: Suction outlets shall be designed to produce circulation throughout the pool & spa, and shall be protected against user entrapment.
 Note: Provide suction fittings as per R326.6.2
 Note: Provide atmospheric vacuum relief system as per R326.6.3
 Note: Provide dual drain separation as per R326.6.4
 Note: Pool cleaner fittings to comply with R326.6.5
 Note: The proposed swimming pool shall be surrounded by a temporary barrier during installation or construction and shall remain in place until a permanent barrier in compliance with R326.5.2 of the NYS Supplement
 Note: The proposed swimming pool shall be surrounded by a permanent barrier Once construction is complete in compliance with R326.5.3 of the NYS Supplement
 Note: All pool barrier gates shall comply with Village of Woodburgh Building Codes And New York State Building Codes
 Note: All existing and proposed fencing to be located or relocated, to be on or Within the property lines of the subject parcel



BROADWAY



DRAINAGE CALCULATIONS:

Proposed Patio = 2226.0 s.f.
 Runoff = 2226.0 s.f. x 3"/12 = 556.5 cu.f.
 556.5 cu.f./ 68.5 cu.f. per ft. of ring = 8.2 ft. req'd.
 Proposed Pool & Spa = 890.0 s.f.
 Runoff = 890.0 s.f. x 3"/12 = 222.5 cu.f.
 222.5 cu.f./ 68.5 cu.f. per ft. of ring = 3.3 ft. req'd.
 Proposed Sports Court = 660.0 s.f.
 Runoff = 660.0 s.f. x 3"/12 = 165.0 cu.f.
 165.0 cu.f./ 68.5 cu.f. per ft. of ring = 2.4 ft. req'd.
 Total Storage Required = 13.9 ft. of 10 ft. Diam. rings
 Total Storage Required = 14 ft. of 10 ft. Diam. rings

IMPERMEABLE LOT COVERAGE:

Existing Lot Coverage Calculation
 Lot Area: 23782.10 Sq. Ft.
Existing Area:
 Existing Dwelling = 4000.0 Sq. Ft.
 Existing Driveway = 3100.0 Sq. Ft.
 Existing Patio = 650.0 Sq. Ft.
 Existing Walkway = 475.0 Sq. Ft.
 Existing Concrete Utility Pad = 239.4 Sq. Ft.
 Total Coverage: 8464.4 Sq. Ft. > 7467.50 Sq. Ft.

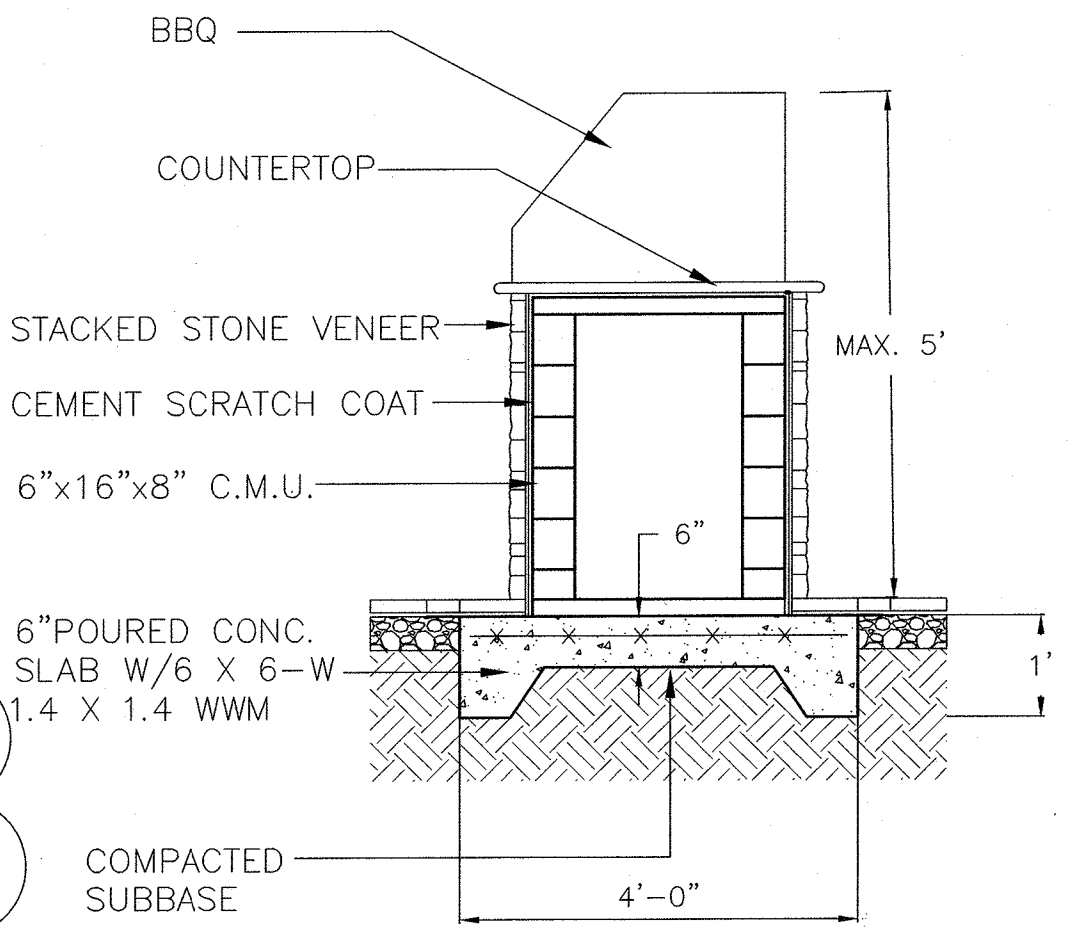
Proposed Lot Coverage Calculation
 Lot Area: 23782.10 Sq. Ft.
Existing Area:
 Existing Dwelling = 4000.0 Sq. Ft.
 Existing Walkway = 475.0 Sq. Ft.
 Existing Concrete Utility Pad = 239.4 Sq. Ft.
 Existing Driveway = 3100.0 Sq. Ft.
Proposed Area:
 Proposed Pool = 800.0 Sq. Ft.
 Proposed Spa = 100.0 Sq. Ft.
 Proposed Outdoor Kitchen = 95.0 Sq. Ft.
 Proposed Pool Equipment = 13.5 Sq. Ft.
 Proposed Fire Structure = 14.0 Sq. Ft.
 Proposed Roof Over = 539.3 Sq. Ft.
 Total Coverage: 9376.2 Sq. Ft. > 7467.50 Sq. Ft.

BUILDING COVERAGE:

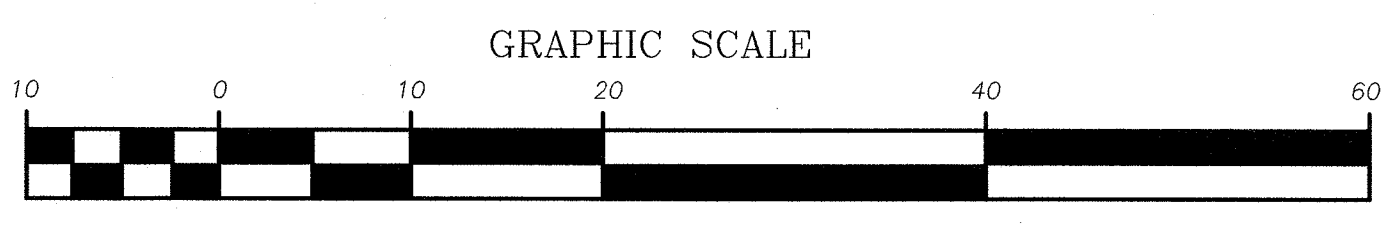
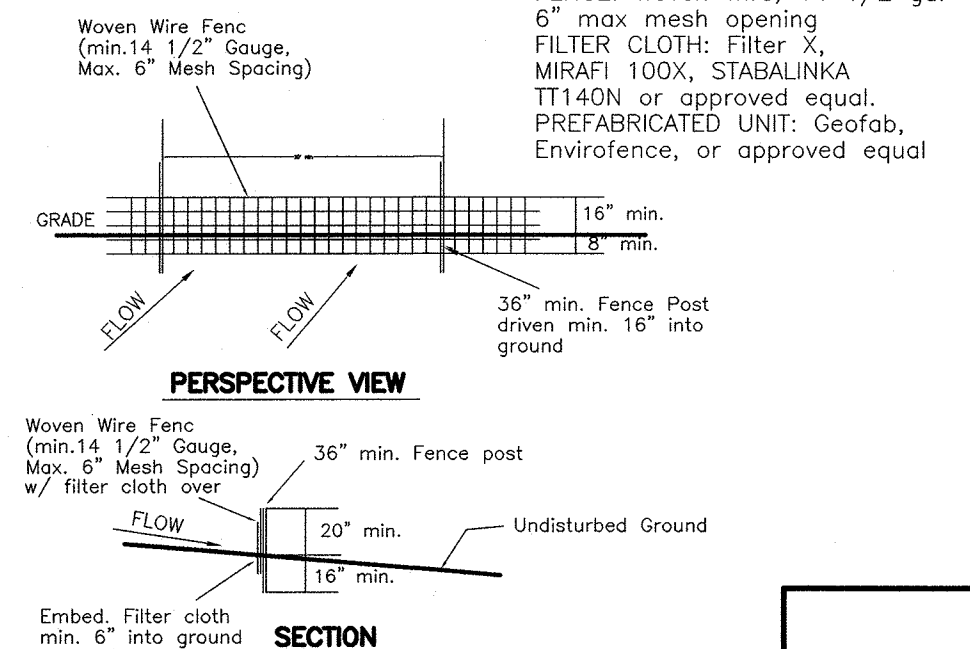
Percent Coverage Calculation
 Lot Area: 23782.1 Sq.Ft.
Existing Area:
 Existing Dwelling = 4000.0 Sq.Ft.
 Existing Front Porch = 117.0 Sq.Ft.
Proposed Area:
 Existing Outdoor Kitchen = 95.0 Sq.Ft.
 Proposed Roof Over = 539.3 Sq.Ft.
 Proposed Fire Structure = 14.0 Sq.Ft.
 Total Coverage: 4765.3 Sq.Ft.
 Percent Coverage = (Total Coverage / Lot Area) x 100% = % Coverage
 Percent Coverage = (4765.3 Sq.Ft. / 23782.1 Sq.Ft.) x 100% = % Coverage
 Percent Coverage = 20.0% > 15.0% M.C.

ZONING	REQUIRED	EXISTING	PROPOSED
Area	14500 SQ. FT.	23782.1 SQ. FT.	23782.1 SQ. FT.
Front Yard	35'	50.7'	50.7'
Side Yard	15'	9.8'	9.8'
Rear Yard	25'	121.7'	121.7'
Street Frontage	100'	100.1'	100.1'
Max. Building Coverage	15%	17.3%	20.1%
Max. Permitted Impervious Coverage	7467.5 SQ. FT.	8225.0 SQ. FT.	9655.0 SQ. FT.

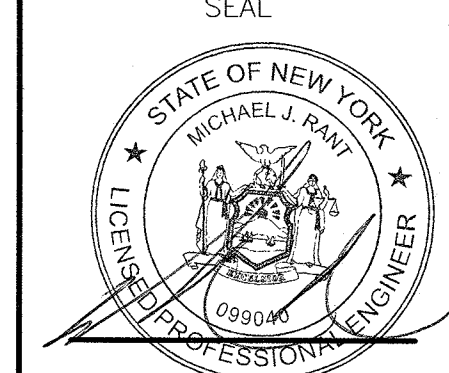
ZONED: Residence District B



SILT FENCE DETAIL



PROJECT INFORMATION		PROJECT	
DATE	3/15/2021	SITE PLAN OF PROPERTY	
DRAWN BY:	LGA	INCORPORATED VILLAGE OF WOODBURGH	
CHECKED BY:	MJR	41-39-767	
SCALE:	1"=10'		
AREA:	0.55 ACRES		
	23782.10 SQ. FT.		
DATUM:	NAVD'88		



Northcoast Civil
 LAND SURVEYING & CIVIL ENGINEERING
 23 SPRING STREET
 OYSTER BAY, NY 11771
 P:(516)922-3031 | F:(516)922-7475

REVISED: 8/24/2021
 REVISED: 8/10/2021
 REVISED: 7/28/2021
 REVISED: 4/16/2021