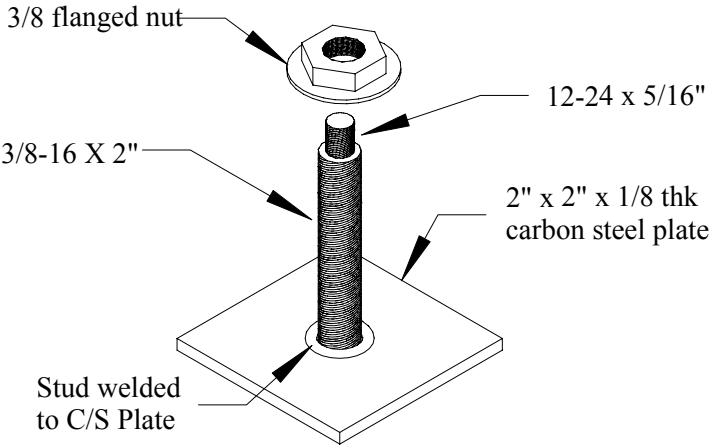
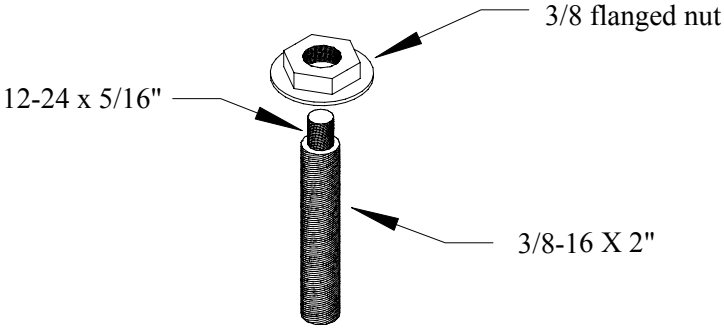
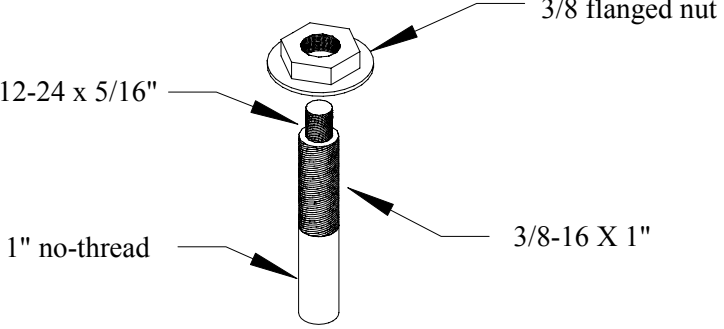
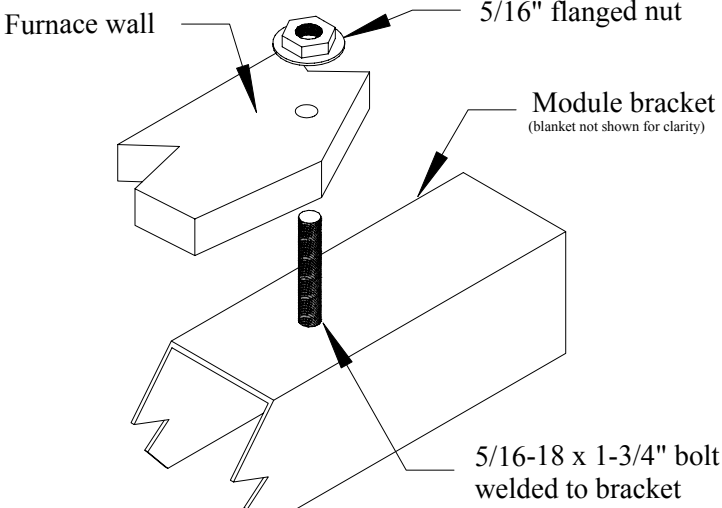


Attachment Method for Delta DF Module

Stud/Nut/Plate Assembly	Stud/Nut Assembly
 <p>3/8 flanged nut</p> <p>12-24 x 5/16"</p> <p>3/8-16 X 2"</p> <p>2" x 2" x 1/8 thk carbon steel plate</p> <p>Stud welded to C/S Plate</p>	 <p>3/8 flanged nut</p> <p>12-24 x 5/16"</p> <p>3/8-16 X 2"</p> <p>3/8-16 x 2-3/8" BW - OAL 12-24 x 5/16" Ext. - 304 stainless steel Flanged Nut - 3/8" diameter - 304 stainless steel</p> <p>Guide rod required for installation</p>
<p>3/8-16 x 2-3/8" BW - OAL 12-24 x 5/16" Ext. - 304 stainless steel welded to carbon steel plate Flanged Nut - 3/8" diameter - 304 stainless steel</p> <p>Guide rod required for installation</p>	<p>Same as above but non threaded 1"</p>  <p>3/8 flanged nut</p> <p>12-24 x 5/16"</p> <p>1" no-thread</p> <p>3/8-16 X 1"</p>
 <p>Furnace wall</p> <p>5/16" flanged nut</p> <p>Module bracket (blanket not shown for clarity)</p> <p>5/16-18 x 1-3/4" bolt welded to bracket</p>	<h2 style="text-align: center;">Through-Bolt Assembly</h2> <p>5/16-18 x 1-3/4" 304 stainless steel bolt welded to bracket between fiber & channel Flanged Nut - 5/16" diameter - 304 stainless steel</p>

This drawing and all information is the property of Delta Refractories, Inc. It is confidential and given to you for a limited purpose. Neither this drawing nor any part of this document may be copied, exhibited, or furnished to others without the consent of Delta Refractories, Inc.