



AUTOMATIC AWNING MOTOR REPLACEMENT

When the front main arm is also to be changed, start the Main Arm replacement first, but insert the motor replacement at Step C of the Main Arm Instructions. When changing the Main Arm, begin these instructions at Step 7.

1. Start with awning in the closed position.
2. Slide "PLC" switch to "ON" position (Fig. 2) to supply power to the computer control and maintain the storage batteries.
3. Use manual motor control (Fig. 2) move slide "MOTOR" switch to "OPEN" position and hold. Awning roller will rotate to unwind. Hold switch until motor stops when it reaches switch limit.

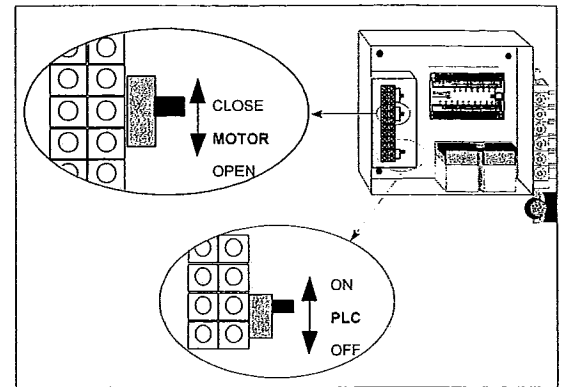


Figure 2

Note: If motor does not operate, see Troubleshooting Guide.

4. Unplug the motor (Fig. 3).
****DISCONNECT RAFTER ARM**
5. Have a second person support roller tube, or use a step ladder.
6. Disconnect main arm from motor shaft by removing the black #10 machine screw and nylon lock nut (Fig 4). **Caution: once the screw has been removed the roller and the main arm are free of each other and both must be supported.**

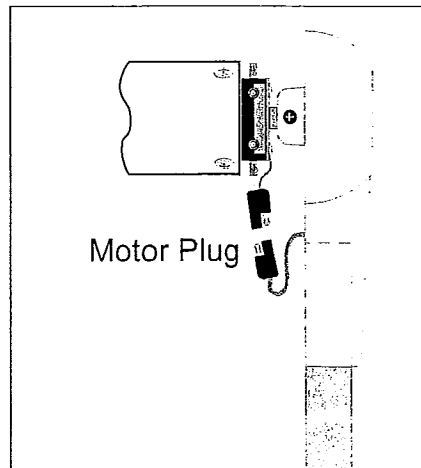


Figure 3

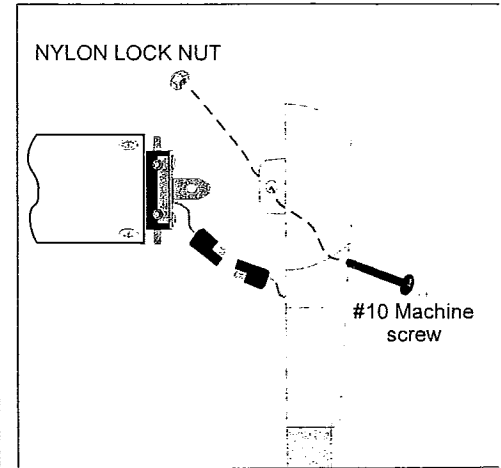
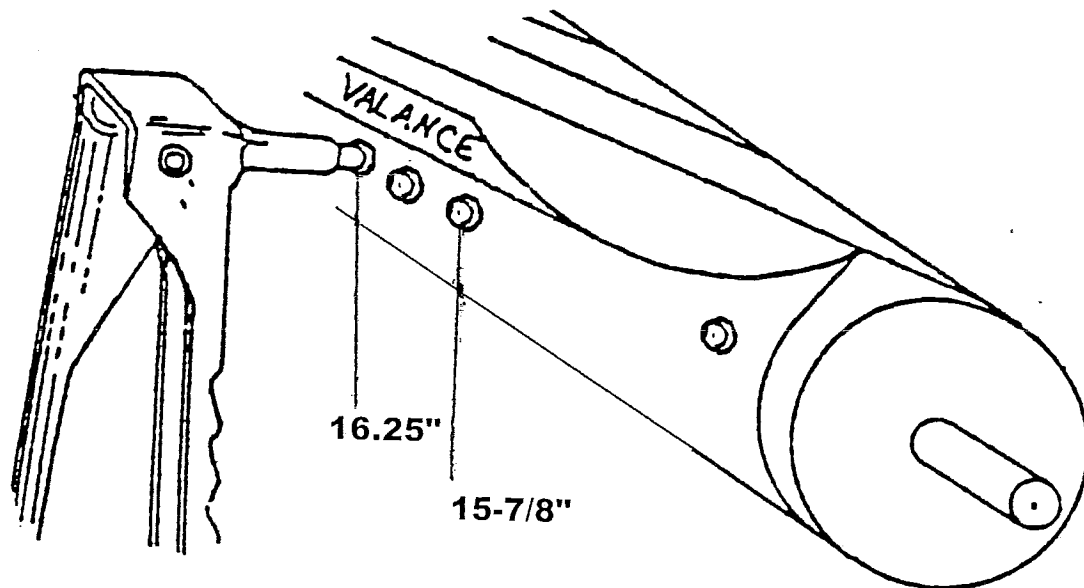


Figure 4

7. Remove motor retention screws (Fig. 4) and slide the motor out of roller tube, twisting as necessary to enable notch in motor drive to bypass the fabric rivets.

Motor Replacement Addendum for AutoAwn

1. From end of roller tube, measure and install the first rivet at 15-7/8" (the rivet should be installed beneath the valance and in line with the existing fabric rivets).
2. Now measure 16.25" and install the second rivet.
3. Install the third rivet between the first and second rivets.



*** NOTE:**

On the new motor, the limit switches are reversed from the old. The upper switch is for the upward limits and the lower switch is for the downward limits.

8. Adjust "Open" limit (Fig. 7 & 9)

The limit switches in the motor are adjusted by turning the appropriate sockets in the exposed portion of the motor at the forward end of the roller tube. Use the hex adjusting rod provided in the installation kit or a ball-end 5/32" Allen wrench. **DO NOT USE A POWER DRIVER!**

To establish the "open" setting, use the manual motor control (See Fig. 2) and first move slide switch "MOTOR" to the "Close" position until the awning has closed approximately 2 revolutions. Then move slide switch "MOTOR" to the "OPEN" position (See Fig. 5). **CAUTION: DO NOT OVER WIND!**

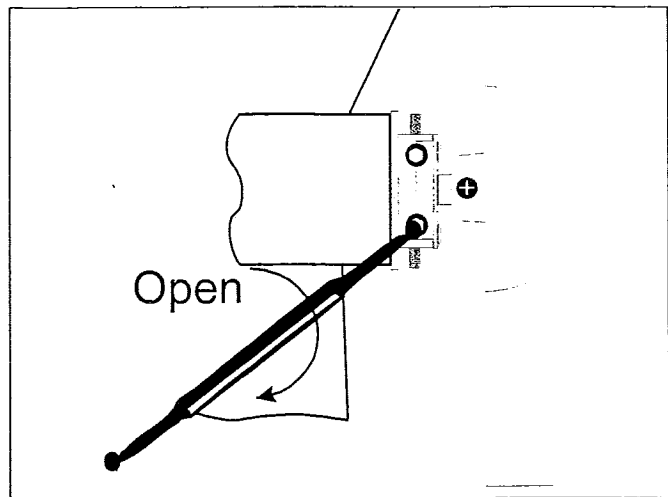


Figure 9

Now adjust as needed. To open the awning more, turn the *lower* socket (Fig. 9) clockwise.

After making an adjustment, use the manual motor control slide switch (Fig. 2) to operate the motor ... *first* briefly in the opposite direction you want to move the roller... then reverse the switch, holding the switch until the motor turns off by reaching the new position of internal limit switch. Continue adjusting and "jogging" the motor back and forth until the awning is fully unrolled. At the "Fully Unrolled" position, (Fig. 5) the valance (A) will be fully extended and hang straight down from the seam of the pocket and an open "V" will be seen behind the roller tube (B).

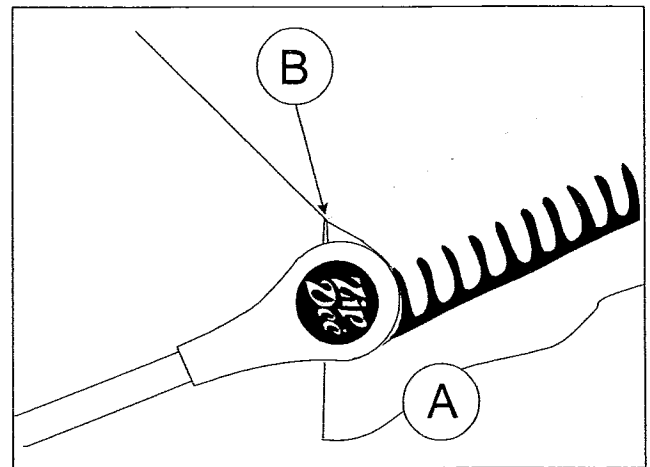


Figure 5

9. Adjust closing limit on motor switch

Close the awning: Use the manual motor control (See Fig. 2) and move slide switch "MOTOR" to the "Close" position. Hold the switch until the roller stops by reaching factory set close limit. The closing limit is set in the same manner as for opening (described for "opening" in Step 8).

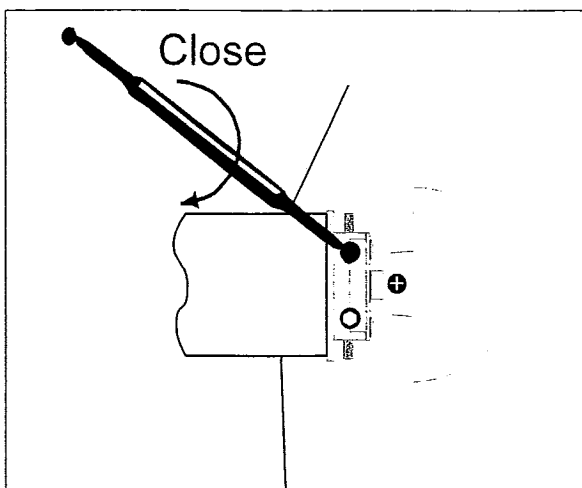


Figure 7

Turn the upper socket *clockwise* (Fig. 7) to close the awning more. **Use extra caution when adjusting for closing.** The roller will stop if *either* the limit switch is reached *or* there is no fabric left to wrap around the roller and the motor breaker in the control box may pop up and need to be reset. Continue to adjust the limit switch until all excess fabric is wrapped around the roller and the roller is held firmly against the vehicle. Properly adjusted, you should be able to manually pull the roller (Using the main arms) slightly (about 1/2") away from the vehicle.

TEST COMPLETED INSTALLATION

1. Make sure air and electric power source are turned on.
2. The awning roller should be in the up or closed position and all air and electric lines should be connected. The roller up and down limits should now be set.

Caution! Before starting your first automated operation, read Emergency Stops below.

- 3) Check power levels. You should have a minimum of 11 Vdc and 95 psi air pressure. to operate the awning.