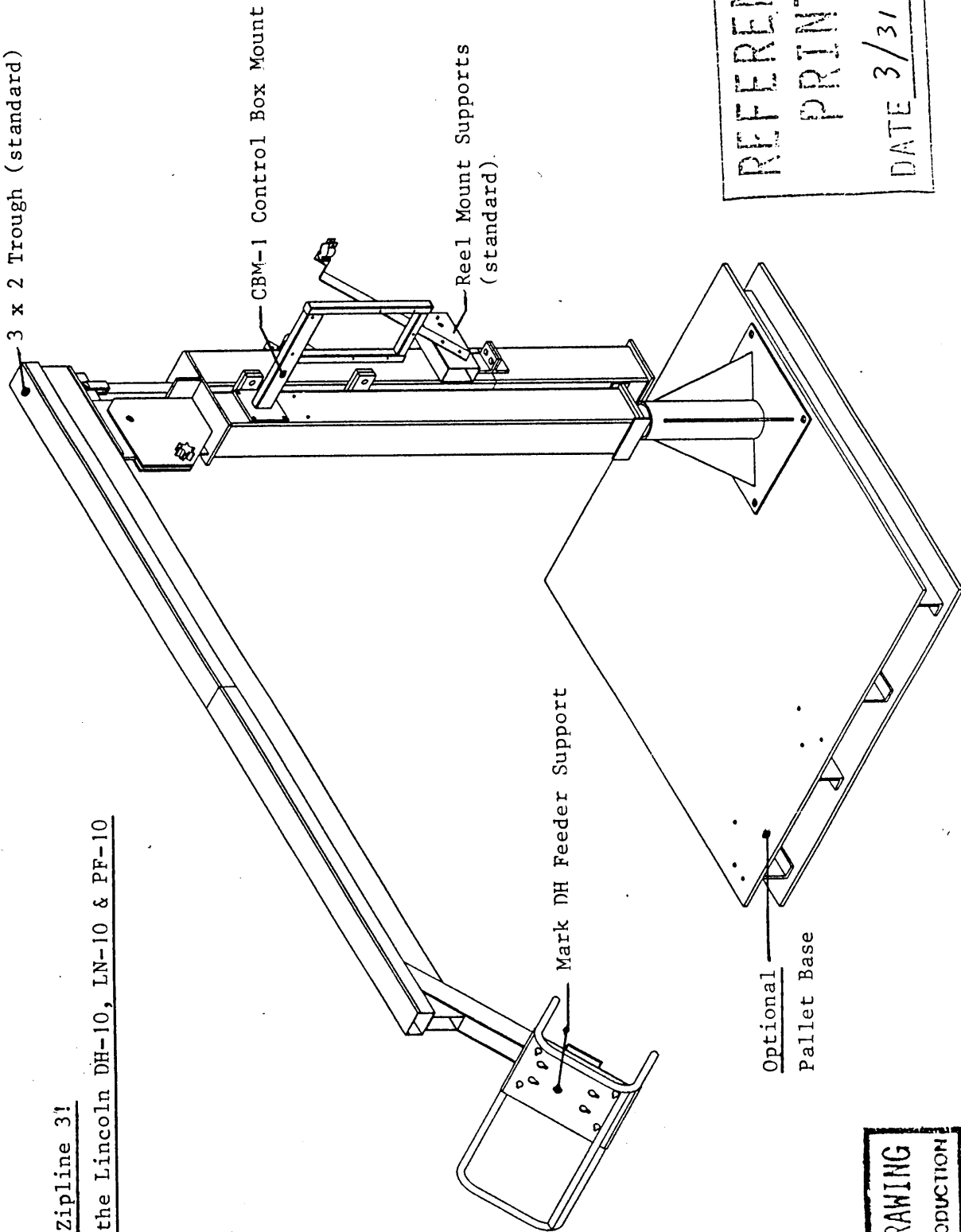


THE NEW L97 Zipline 3!  
 designed for the Lincoln DH-10, LN-10 & PF-10



REFERENCE  
 PRINT  
 DATE 3/31/97

XA  
 XM5571

**EXPERIMENTAL DRAWING**  
 NOT TO BE USED FOR PRODUCTION

Chg. Shrt. No. XA	EQUIP. TYPE BOOM PACKAGE	SCALE NONE	DATE 3/31/97	SUBJECT ZIPLINE BOOM PACKAGE	SHT. NO. SZIPLINE.5 X

UNLESS OTHERWISE SPECIFIED TOLERANCE  
 ON 2 PLACE DECIMALS IS ± .02  
 ON 3 PLACE DECIMALS IS ± .002  
 ON ALL ANGLES IS ± .5 OF A DEGREE  
 MATERIAL TOLERANCE (1") TO AGREE  
 WITH PUBLISHED STANDARDS.