

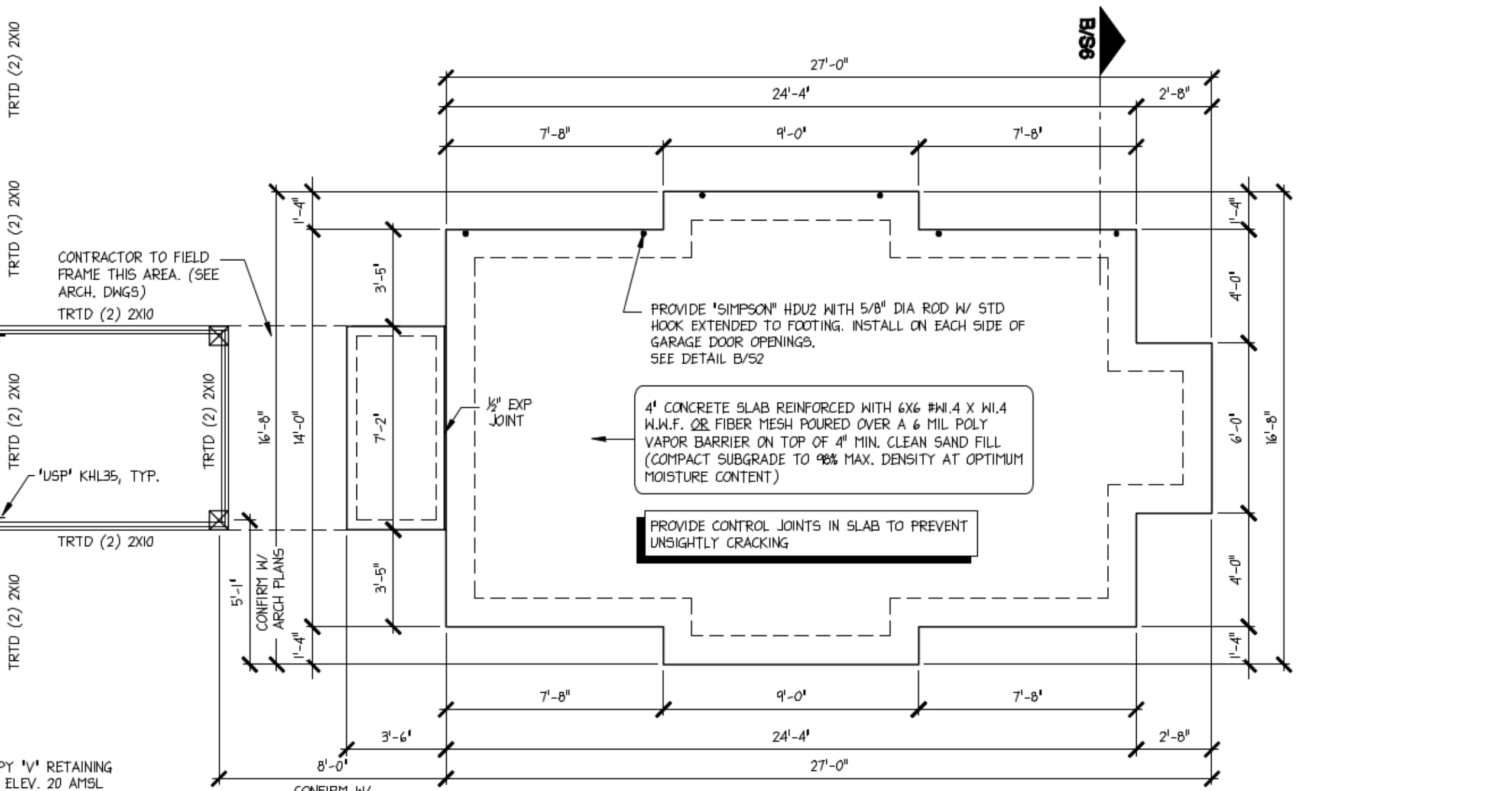
NOTE:
ADJACENT DECK FRAMING NOT SHOWN FOR CLARITY

NOTE:
ALL 8" x 8" PILES ABOVE GRADE ARE TO BE INSET AN 1 1/2" FROM FACE OF WALL FRAMING SO THAT CORNER PILES AND PILES WITH INTERSECTING GIRDERS WILL NOT BE NOTCHED MORE THAN 50% AND REQUIRE "SIMPSON" PS418 PLATES

DECK PILE NOTE:
ALL DECK PILES ARE FLUSH WITH FACE OF FRAMING. ALL PILES MUST HAVE PS418 PLATES PER THE 50% RULE PER CODE.

PILE INSET NOTE:
ALL PILES UNDER THE MAIN HOUSE ARE INSET FROM OUTSIDE FACE OF FRAMING A DIMENSION OF 1 1/2" SO THAT CORNER PILES AND PILES WITH INTERSECTING GIRDERS WILL NOT BE COVER NOTCHED AND REQUIRE PS418 PLATES. PILES MAY BE PUSHED OUT FLUSH W/ FACE OF FRAMING BUT THEN ALL CORNER PILES AND PILES WITH INTERSECTING GIRDERS WILL BE NOTCHED MORE THAN 50% AND WILL REQUIRE PS418 PLATES PER CODE.

FIELD FRAME NOTE:
FLOOR BELOW FUTURE ELEVATOR TO BE FRAMED WITH 2X6 JOISTS AT BOTTOM OF FLOOR SYSTEM AND REMOVABLE 2X6 FLOOR SYSTEM AT TOP OF FLOOR.



LINE LOAD SYMBOLS

NOTE:
TRUSS MANUFACTURE TO DESIGN TRUSS TO SUPPORT WALL ABOVE. PROVIDE TRUSS BLOCKING OR BLOCKING BELOW CONCENTRATED LOADS AS RECOMMENDED BY MANUFACTURE. (TYPICAL-SEE DIAGRAM BELOW FOR SYMBOLS)
** WALL WEIGHT NOT INCLUDED IN LOADS LISTED BELOW.

LI1	LINE LOAD ON TRUSSES FROM WALL ABOVE: LIVE LOAD = 200 psf DEAD LOAD = 100 psf
PL1	POINT LOAD ON TRUSSES FROM WALL ABOVE: ROOF LIVE LOAD = 2500 lb DEAD LOAD = 2500 lb
PL2	POINT LOAD ON TRUSSES FROM WALL ABOVE: ROOF LIVE LOAD = 1020 lb DEAD LOAD = 1020 lb
PL3	POINT LOAD ON TRUSSES FROM WALL ABOVE: ROOF LIVE LOAD = 2500 lb DEAD LOAD = 2500 lb
PL4	POINT LOAD ON TRUSSES FROM WALL ABOVE: ROOF LIVE LD = 302 lb/FLOOR LIVE LD = 2225 lb DEAD LOAD = 1020 lb
PL5	POINT LOAD ON TRUSSES FROM WALL ABOVE: ROOF LIVE LD = 81 lb/FLOOR LIVE LD = 1123 lb DEAD LOAD = 660 lb

SYMBOL LEGEND

INDICATES CONCENTRATED LOAD UNRELATED TO WALL LINE LOADS

INDICATES CONCENTRATED LOAD OF BEAM OR HEADER ABOVE

INDICATES FRAMING MEMBER BEARS ON WALL/BEAM

INDICATES FRAMING DIRECTION OF CEILING MEMBERS (SEE PLAN FOR LOCATIONS AND SIZES)

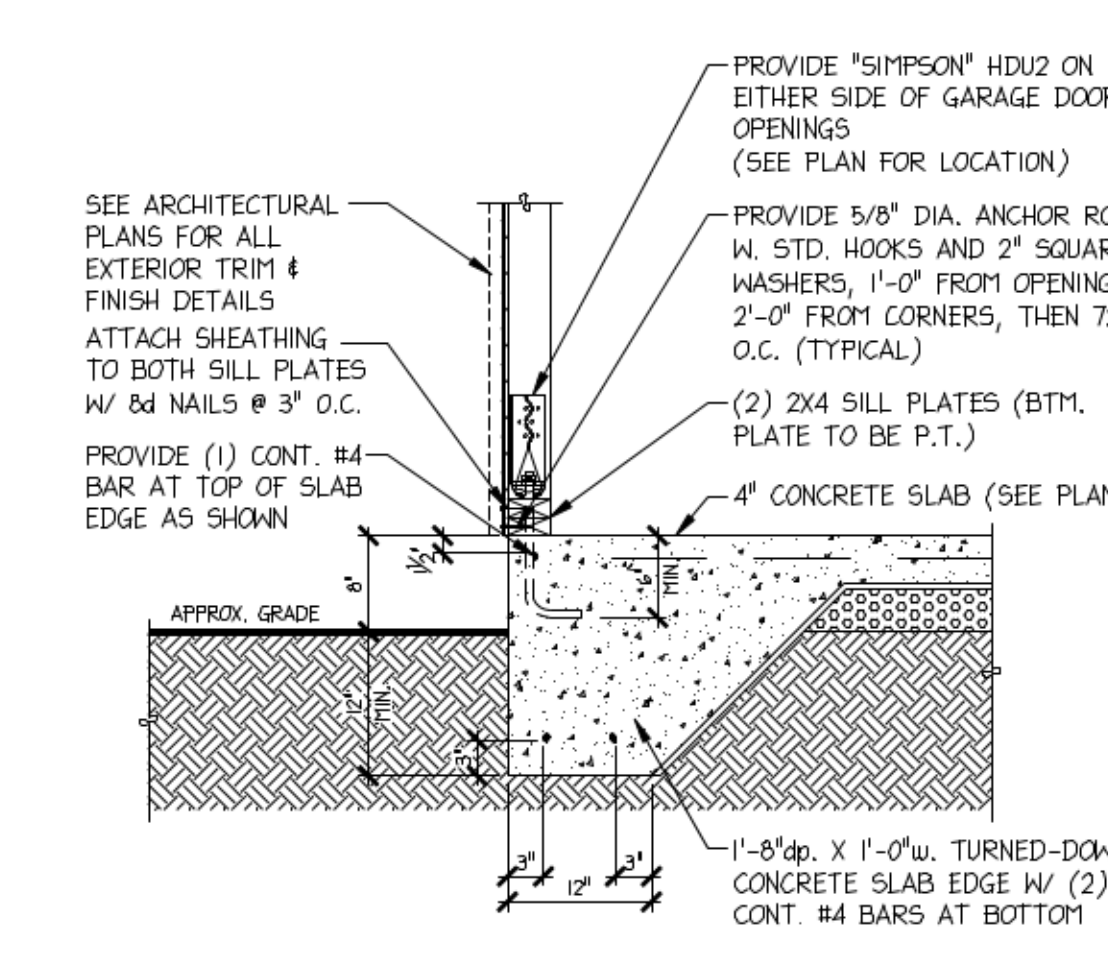
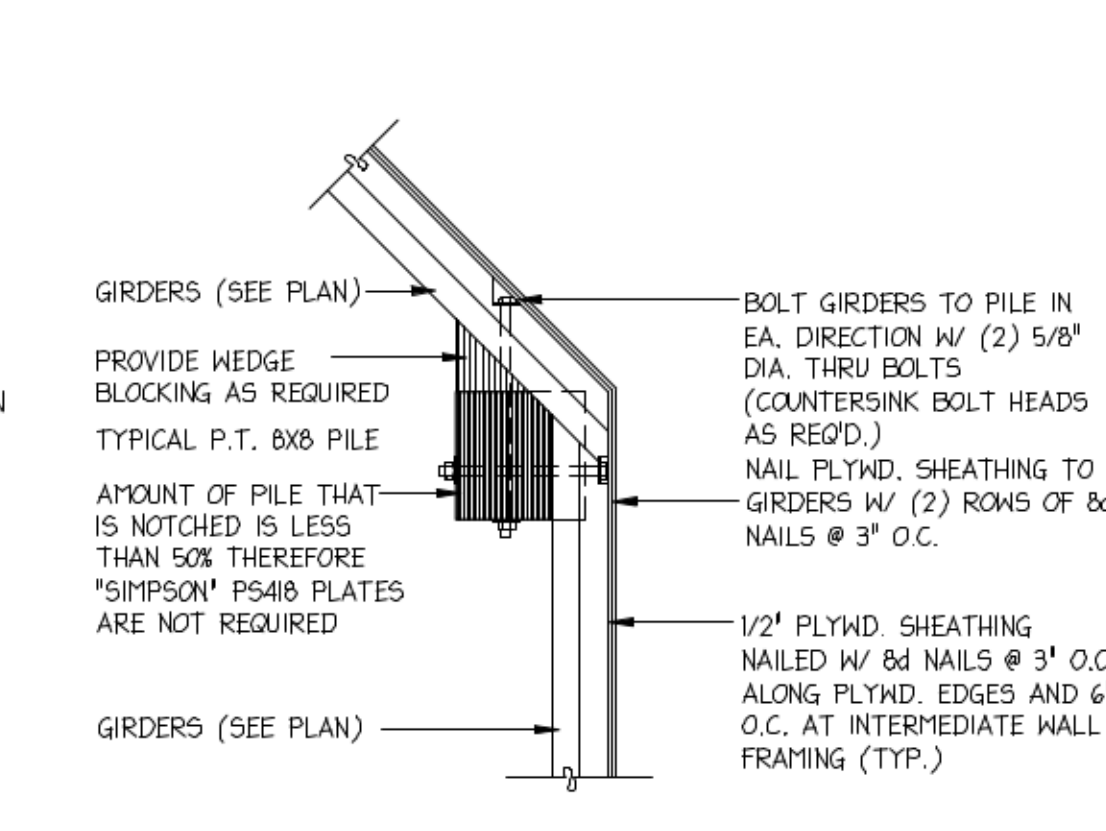
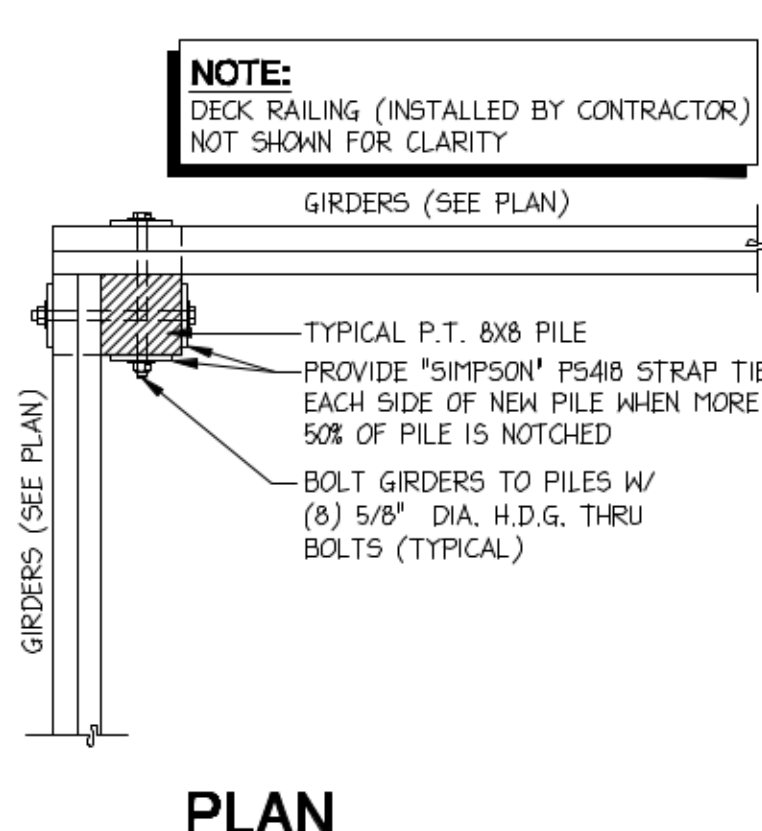
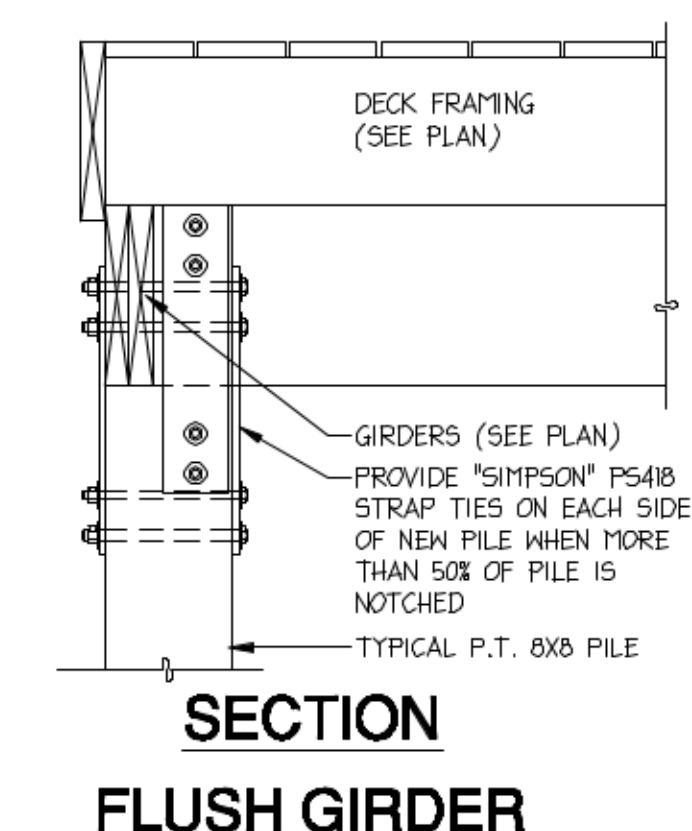
INDICATES DOUBLE JOIST

INDICATES DROPPED OR FLUSH 2X OR LVL BEAM LOCATIONS (SEE PLAN)

GIRDER TRUSS THUS SHOWN

GENERAL NOTE:
ENGINEER RESPONSIBLE FOR ALL STRUCTURAL COMPONENTS ON THIS DRAWING. ALL DIMENSIONS AND DETAILS MAY NOT BE SHOWN ARE THE RESPONSIBILITY OF THE CONTRACTOR. CONTRACTOR IS TO VERIFY WITH ENGINEER ANY ADDITIONAL DETAILS REQUIRED FOR CONSTRUCTION. PLEASE CONTACT OUR OFFICE IF ANY DISCREPANCIES ARE FOUND.

TRUSS LAYOUT NOTE:
ALL TRUSSES SHOWN ON THIS PLAN ARE FOR DIRECTIONAL PURPOSES ONLY. CONTRACTOR TO VERIFY EXACT LAYOUT OF TRUSSES PRIOR TO CONSTRUCTION. ADJUST TRUSS SPACING AS NEEDED TO MISS PLUMBING & WASTE DROPS WITHOUT EXCEEDING MAX. SPACING. PROVIDE TRUSS BELOW ALL PARALLEL WALLS OR PROVIDE TRUSS EA. SIDE OF PLUMBING WALLS W/ BLOCKING SPACED 24" O.C. BETWEEN TRUSSES. TRUSS SPACING MAY BE INCREASED UP TO 24" O.C. W/ APPROVAL OF TRUSS DESIGNER, HOME OWNER, AND CONTRACTOR.



RESIDENTIAL EXAMPLE DRAWING
NORTH CAROLINA COAST

WD JONES ENGINEERING, PLLC
PHONE: 910-523-5381
100 B OLD EASTWOOD ROAD, UNIT 24
WILMINGTON, N.C. 28403

SAMPLE DRAWING

DATE _____ **NUMBER** _____

SCALE _____

S2 **7**