

STATE SYSTEM OF HIGHER EDUCATION
 MILLERSVILLE UNIVERSITY
 P.O. BOX 1002
 MILLERSVILLE, PA 17551

OPEN-ENDED
 CONCRETE

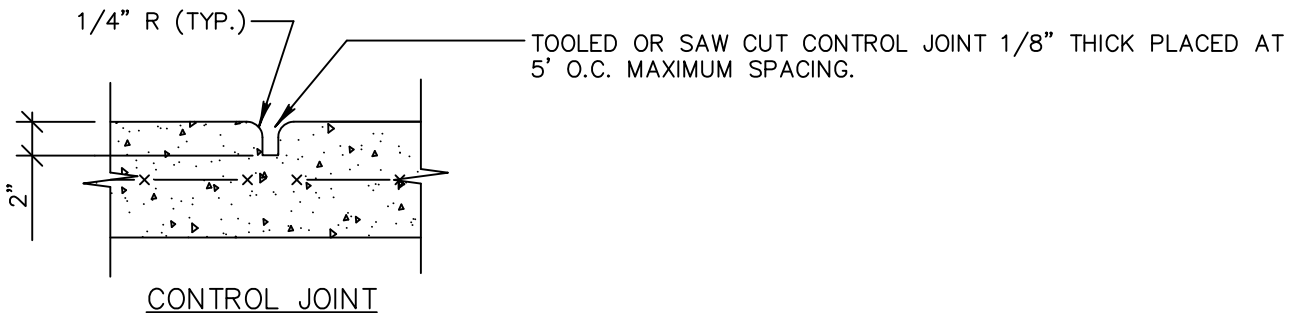
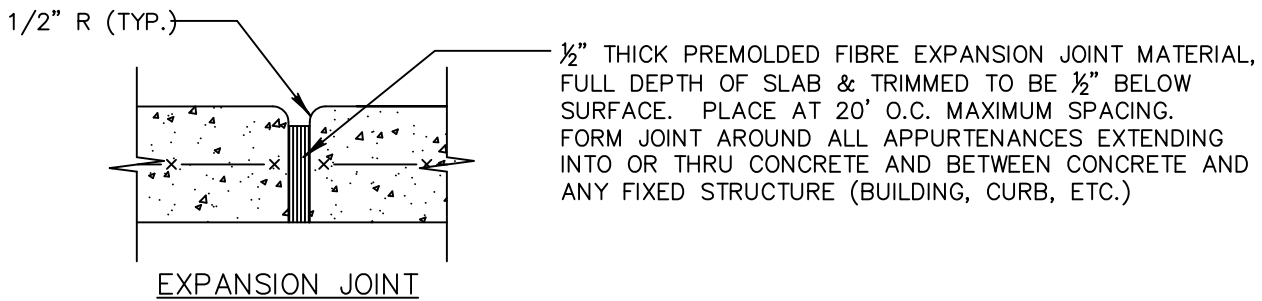
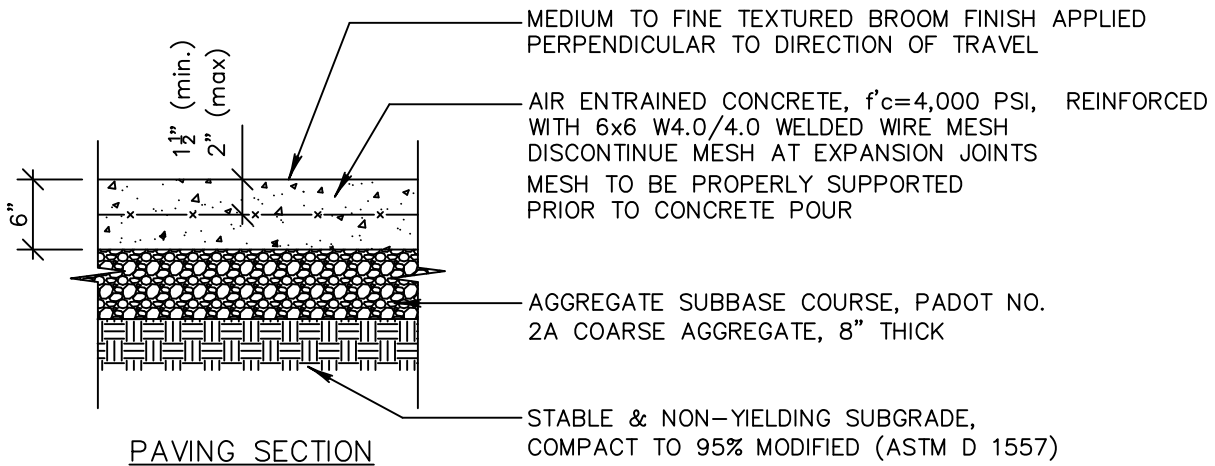
DATE ISSUED:
 NOVEMBER 2014

SCALE:
 NOT TO SCALE

DETAIL DESCRIPTION

CONCRETE WALK

DRAWING NO.
 SK-01



STATE SYSTEM OF HIGHER EDUCATION
MILLERSVILLE UNIVERSITY
P.O. BOX 1002
MILLERSVILLE, PA 17551

OPEN-ENDED
CONCRETE

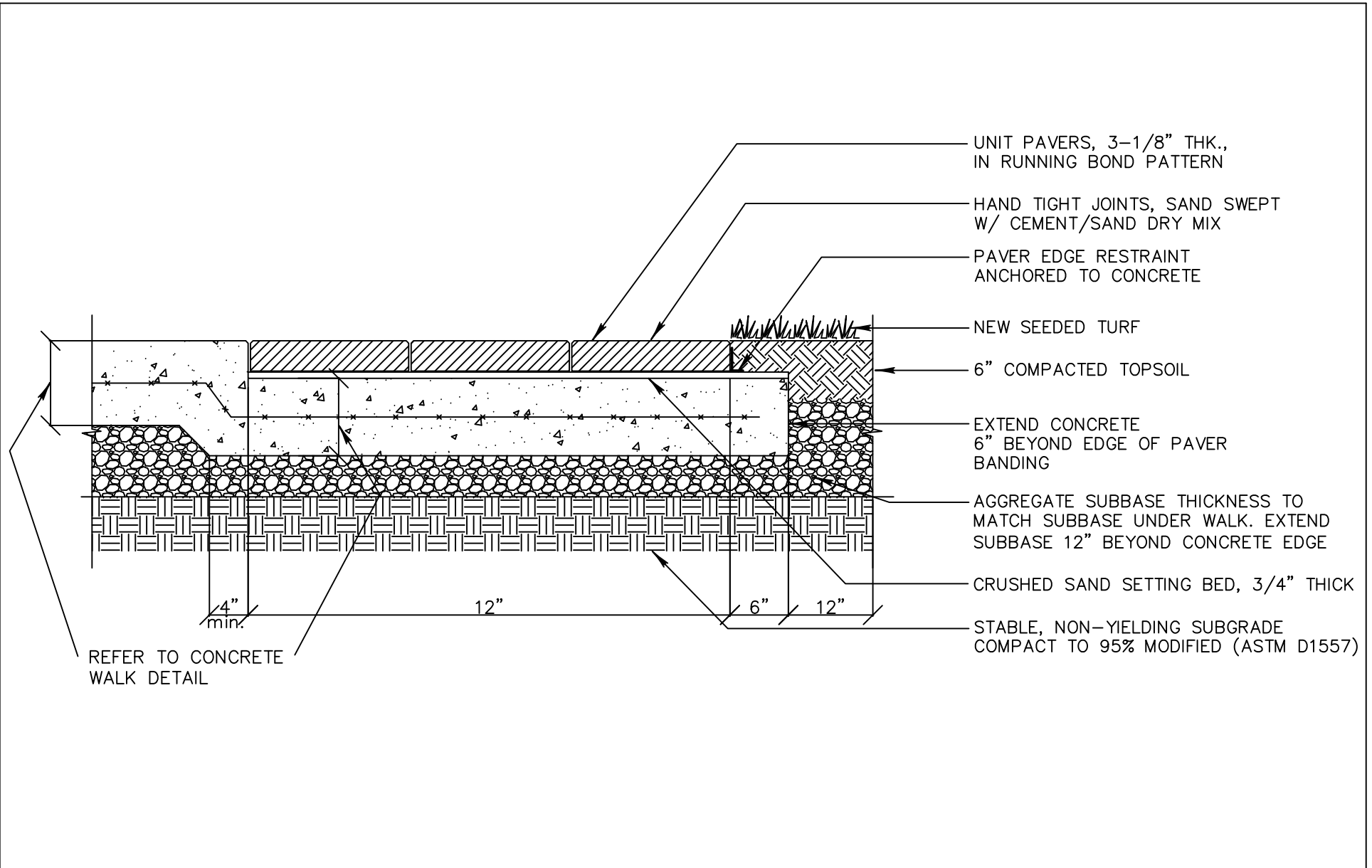
DATE ISSUED:
NOVEMBER 2014
SCALE:
NOT TO SCALE

DETAIL DESCRIPTION

HEAVY-DUTY CONCRETE WALK

DRAWING NO.

SK-02



STATE SYSTEM OF HIGHER EDUCATION
 MILLERSVILLE UNIVERSITY
 P.O. BOX 1002
 MILLERSVILLE, PA 17551

OPEN-ENDED
 CONCRETE

DATE ISSUED:
 NOVEMBER 2014
 SCALE:
 NOT TO SCALE

DETAIL DESCRIPTION

CONCRETE PAVER BANDING

DRAWING NO.
 SK-03

SEE HANDICAPPED RAMP SECTION
SKETCH SK 04A

ADA COMPLIANT (ANSI A117.1) CAST IN PLACE
OR PRECAST DETECTABLE WARNING SURFACE
WITH TRUNCATED DOMES.

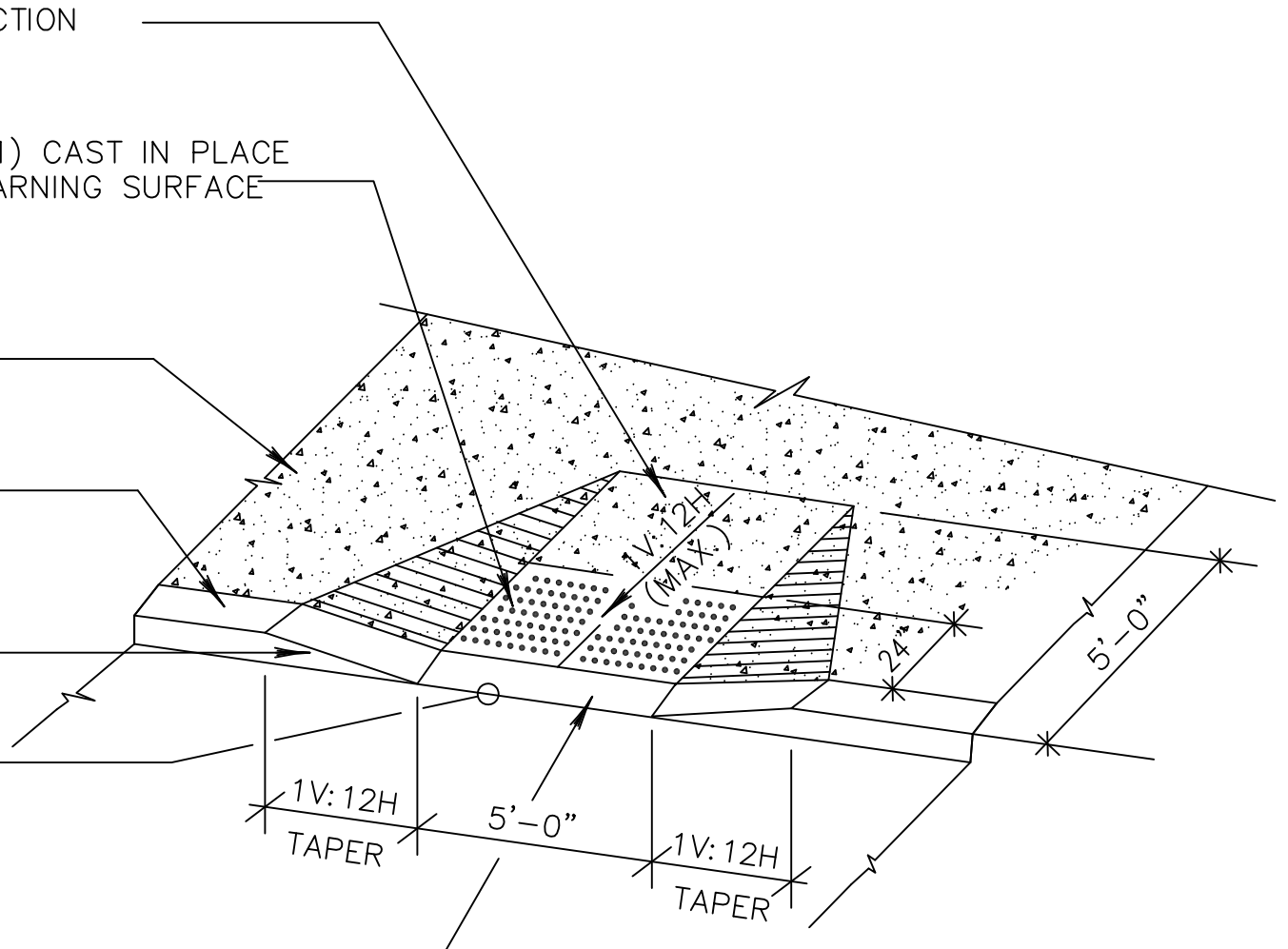
CONCRETE WALK

CONCRETE CURB

TAPER CURB
UNIFORMLY

PROVIDE MAXIMUM
1/4" CURB REVEAL AT
GUTTER LINE

DEPRESSED CURB



STATE SYSTEM OF HIGHER EDUCATION
MILLERSVILLE UNIVERSITY
P.O. BOX 1002
MILLERSVILLE, PA 17551

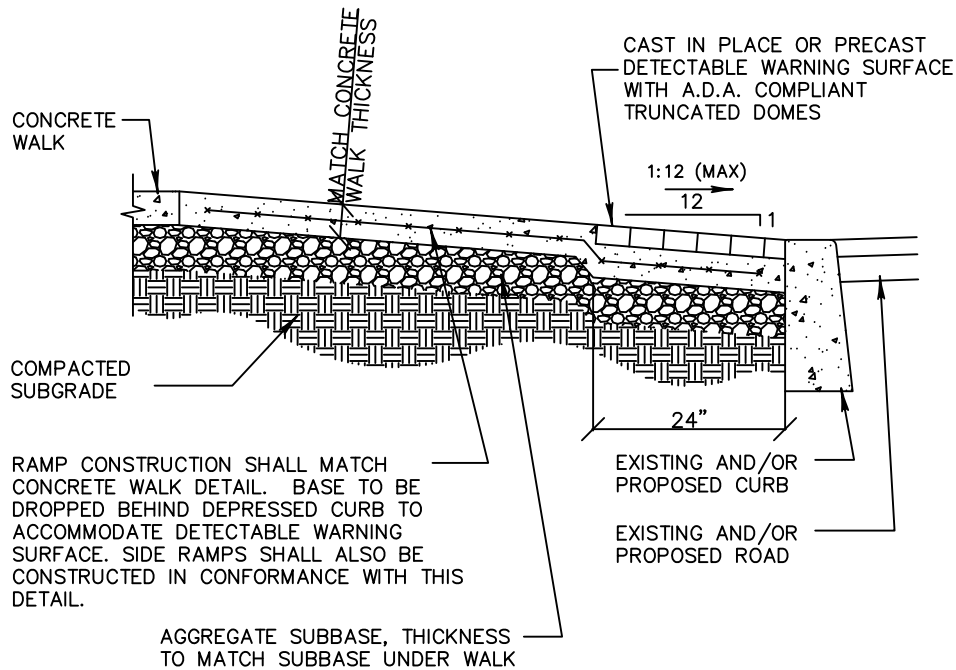
OPEN-ENDED
CONCRETE

DATE ISSUED:
NOVEMBER 2014
SCALE:
NOT TO SCALE

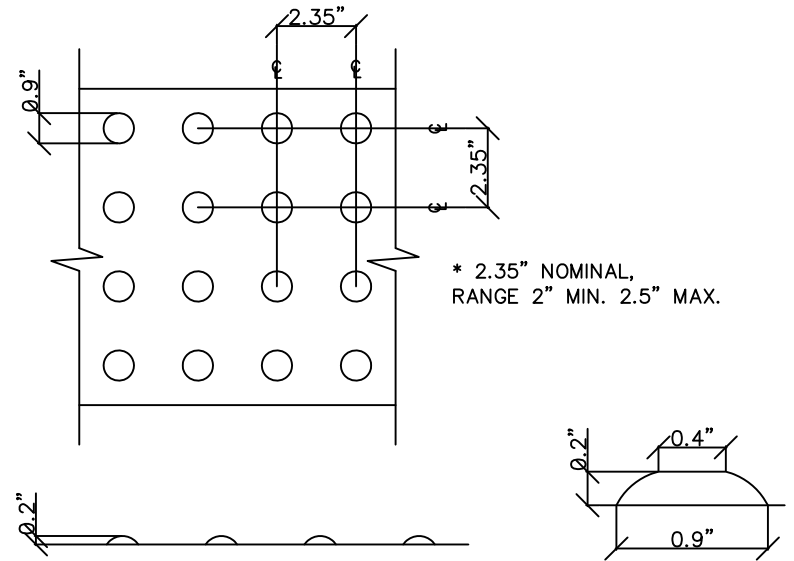
DETAIL DESCRIPTION

HANDICAPPED CURB RAMP

DRAWING NO.
SK-04



SECTION THRU RAMP



DOMES SPACING

DOMES SECTION

NOTES:

1. TRUNCATED DOMES SHALL BE ALIGNED ON A SQUARE GRID IN THE PREDOMINANT DIRECTION OF TRAVEL.
2. DETECTABLE WARNING SURFACE SHALL CONTRAST VISUALLY WITH ADJOINING SURFACES, EITHER LIGHT-ON-DARK, OR DARK-ON-LIGHT.

TRUNCATED DOMES

STATE SYSTEM OF HIGHER EDUCATION
 MILLERSVILLE UNIVERSITY
 P.O. BOX 1002
 MILLERSVILLE, PA 17551

OPEN-ENDED
 CONCRETE

DATE ISSUED:
 NOVEMBER 2014
 SCALE:
 NOT TO SCALE

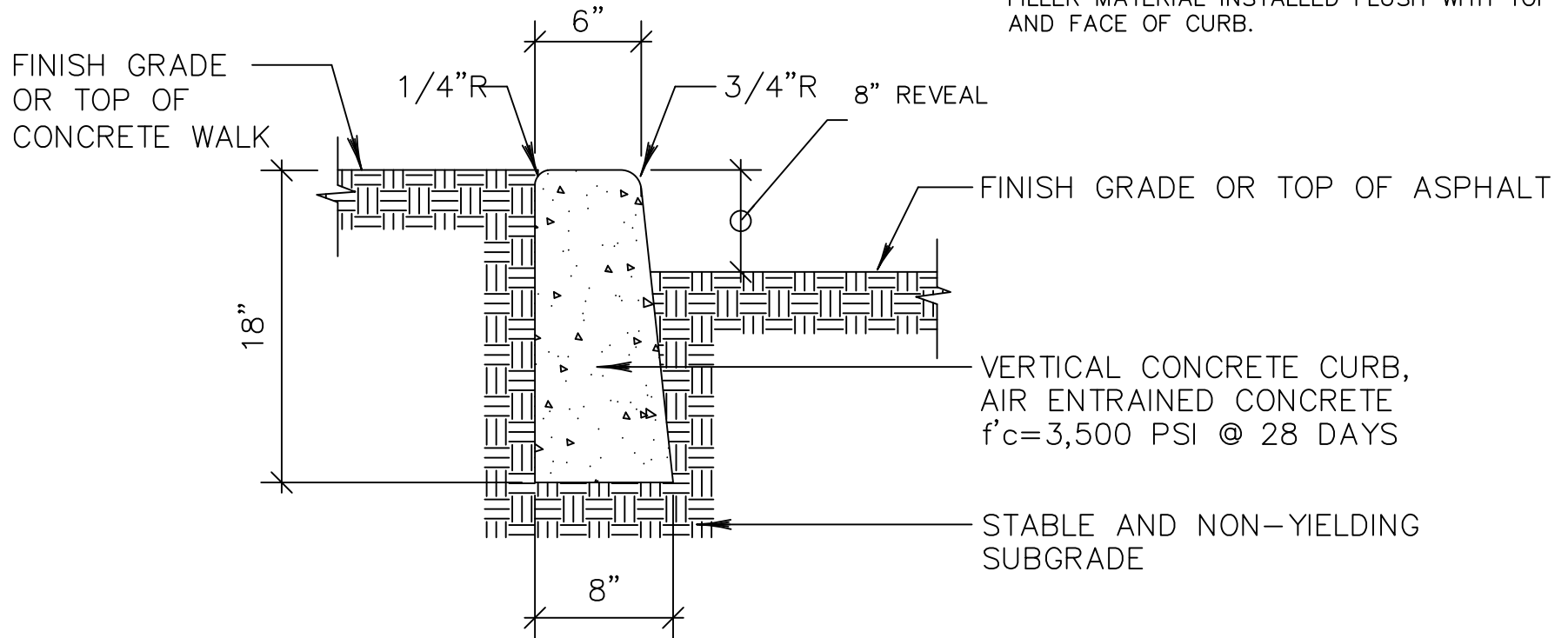
DETAIL DESCRIPTION

HANDICAPPED RAMP SECTION

DRAWING NO.
 SK-04A

NOTES

1. JOINT SPACING
 - A. EXPANSION JOINTS AT ABUTTING CONCRETE STRUCTURES
 - B. EXPANSION JOINTS @ 20' 0/C MAX.
 - C. CONTROL JOINTS @ 10' 0/C MAX (4' MIN.)
2. CONTROL JOINTS TO BE 2" DEEP, 3/16" WIDE
3. EXPANSION JOINTS TO BE 1/2" WIDE, FILLED WITH PREFORMED FIBRE EXPANSION JOINT FILLER MATERIAL INSTALLED FLUSH WITH TOP AND FACE OF CURB.



STATE SYSTEM OF HIGHER EDUCATION
 MILLERSVILLE UNIVERSITY
 P.O. BOX 1002
 MILLERSVILLE, PA 17551

OPEN-ENDED
 CONCRETE

CONCRETE CURB

DATE ISSUED:
 NOVEMBER 2014
 SCALE:
 NOT TO SCALE

DETAIL DESCRIPTION

DRAWING NO.
 SK-05