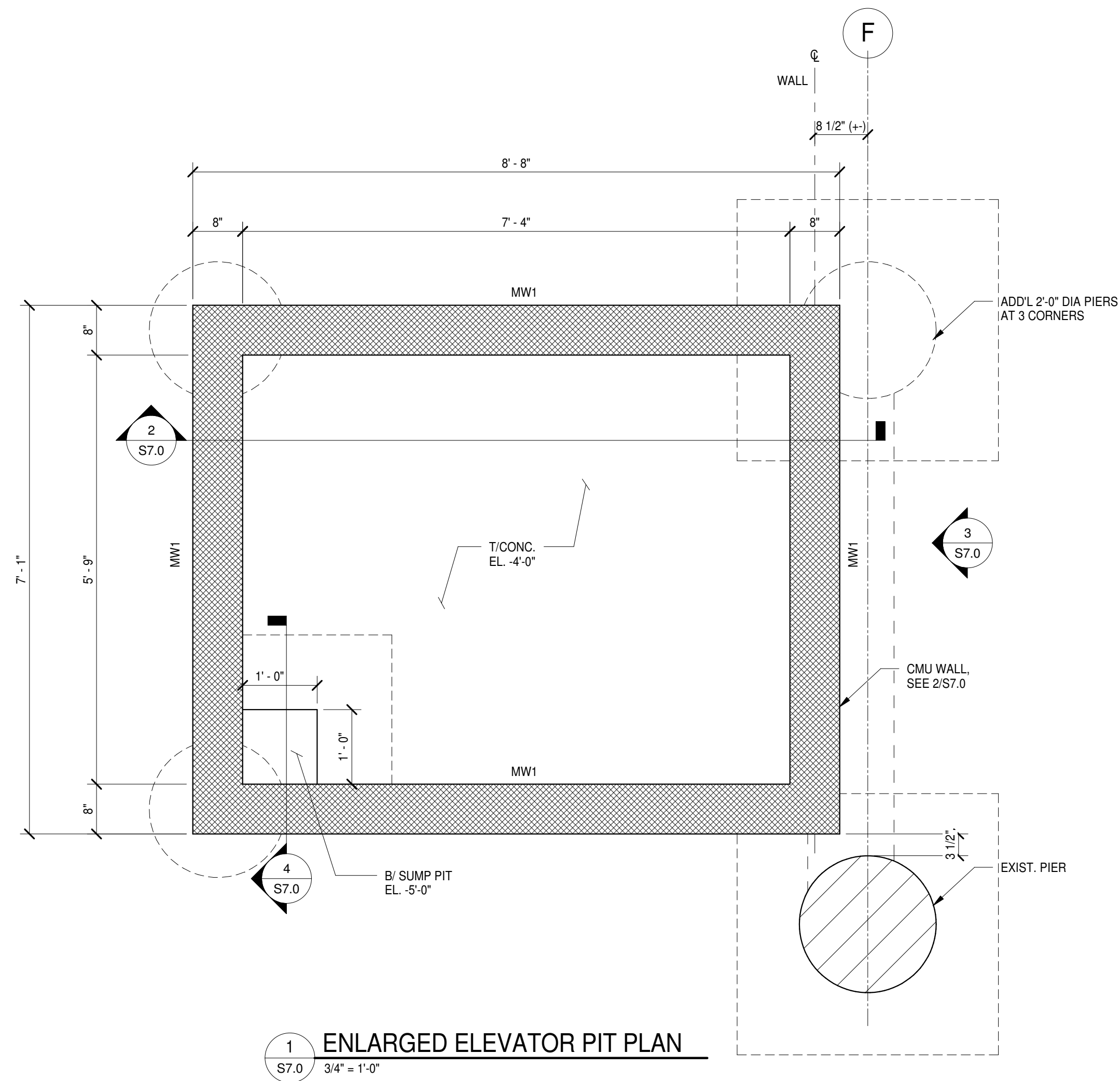
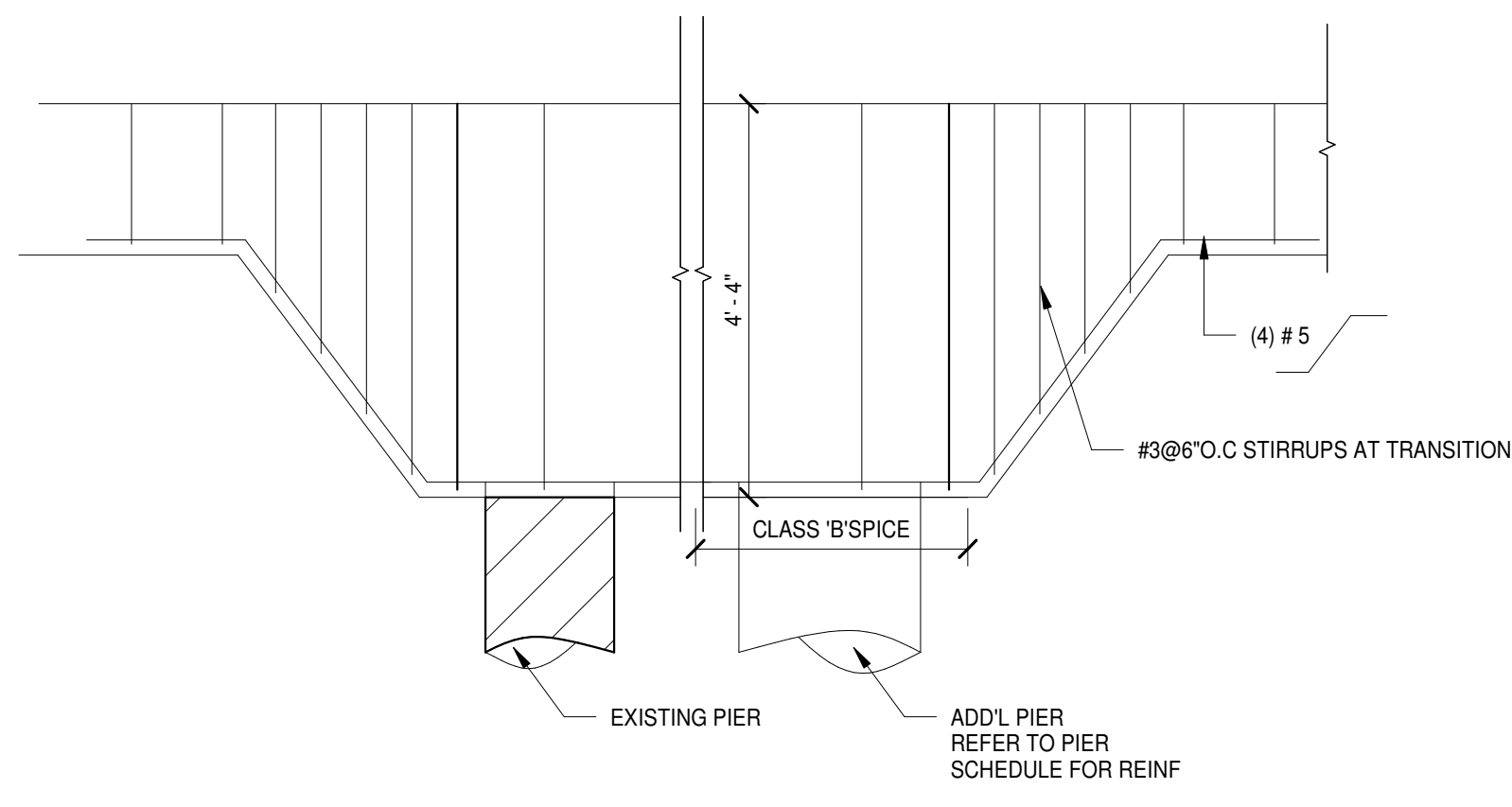


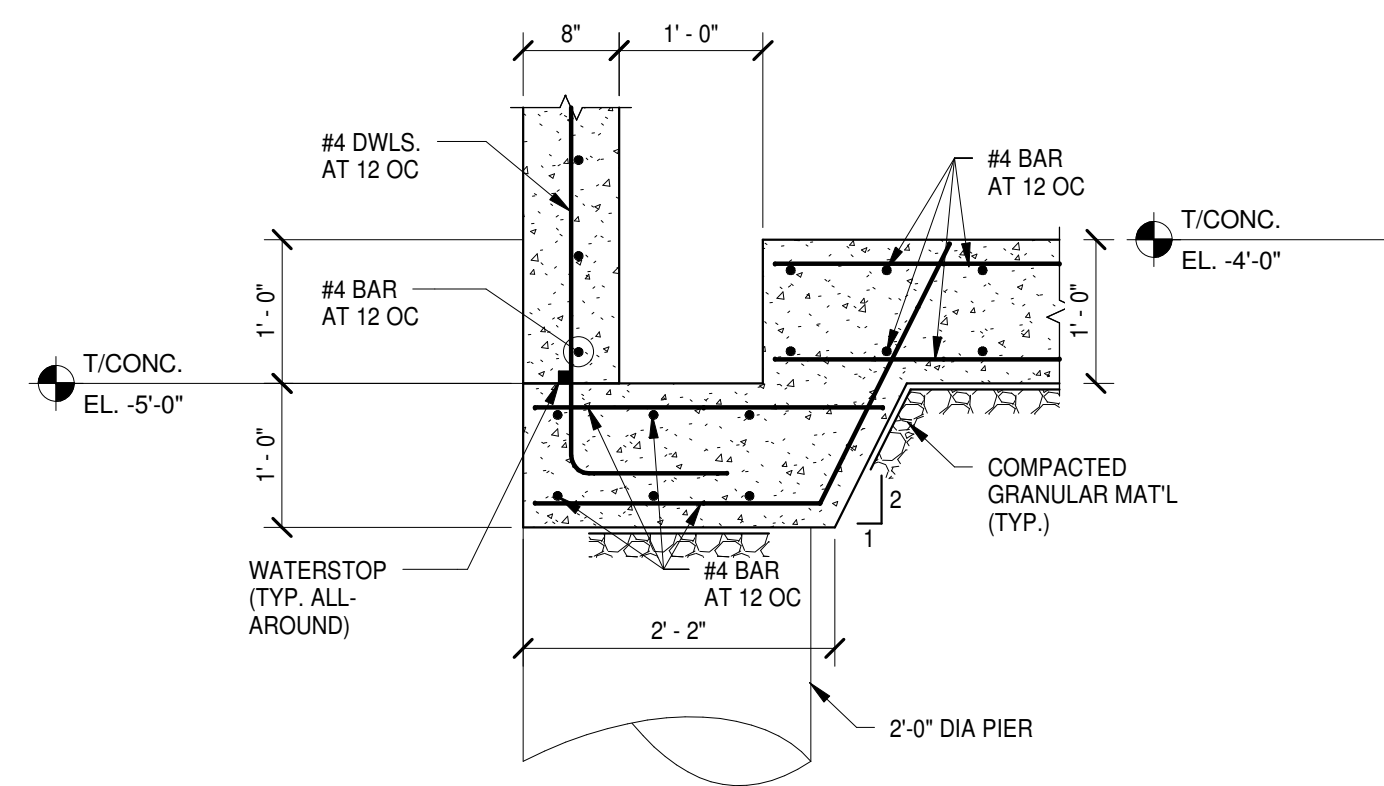
T:\Projects\Structural\2016\16BRW015 - RADHA KRISHNA TEMPLE\Rev\16BRW015 - Central R15 (RESTLDC).rvt  
 8/26/2016 8:54:38 AM



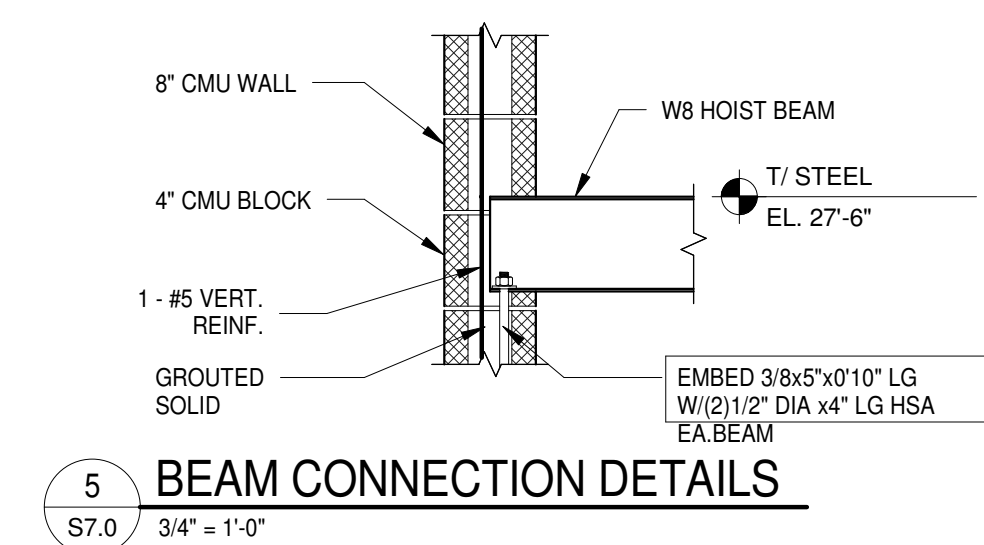
**1 ENLARGED ELEVATOR PIT PLAN**  
 S7.0 3/4" = 1'-0"



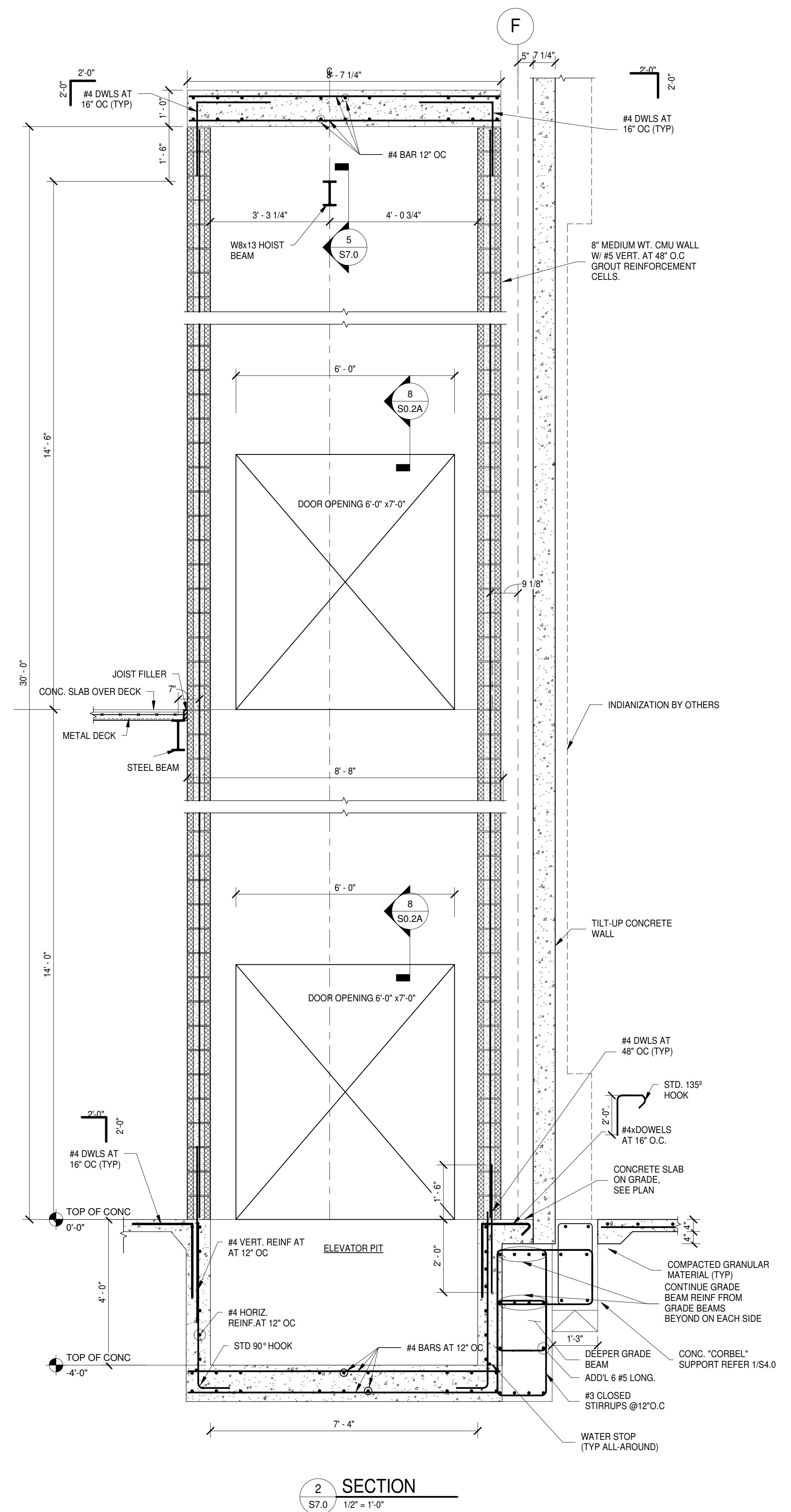
**3 ELEVATION**  
 S7.0 1/2" = 1'-0"



**4 ELEVATOR SUMP PIT DETAIL**  
 S7.0 3/4" = 1'-0"



**5 BEAM CONNECTION DETAILS**  
 S7.0 3/4" = 1'-0"



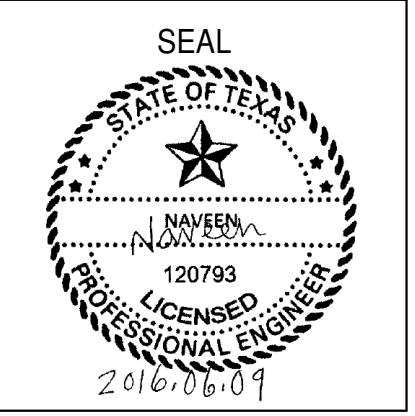
**2 SECTION**  
 S7.0 1/2" = 1'-0"



**RADHA KRISHNA TEMPLE**  
 Owner  
 ALLEN TEXAS

JOB NUMBER: 16DLS003  
 ISSUE DATE: 04-22-2016  
 DRAWN BY: SDB  
 DESIGNED BY: NAV

REVISIONS	
ADDENDUM NO. 2	06-09-2016



SHEET NUMBER  
**S7.0**

ELEVATOR PLAN, SECTIONS & DETAILS