



# SHARK

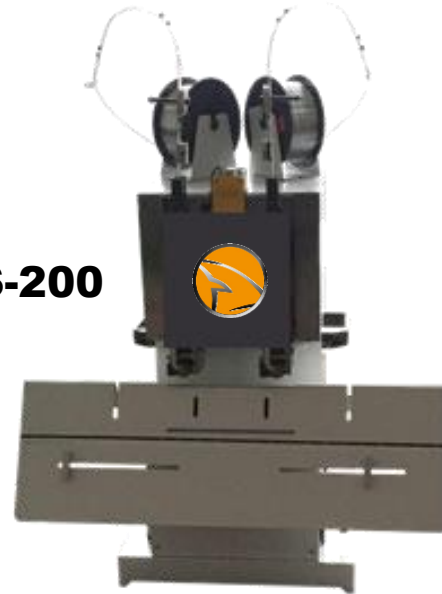
FINISHING MACHINERY

## Smart Stitchers

**SS-100**



**SS-200**



Shark Finishing Machinery introduces to its line of Smart print finishing equipment the SS-100 & SS-200 Smart Stitchers. These stitchers are wire fed, table top models that are easy to use and compact in size. They are the next generation in wire stitching with a unique heavy duty design. Their adjustable table allows the ability to stitch both flat or saddle. With the ability to stitch a minimum of 2 pages to a maximum of 1/4 inch thick at a binding speed of 6,000-9,000 per hour. The SS-100 & SS-200 is everything you could ask for in a wire stitcher.

- Maximum thickness 1/4 inch
- Electric
- Wire Spool
- Table Top
- Heavy Duty
- Foot Pedal Operation
- Speed from 6,000 to 9,000 per hour
- Adjustable table for Flat or Saddle stitching
- Compact Size



	<b>SS-100</b>	<b>SS-200</b>
<b>Maximum Paper Thickness</b>	0.25 in / 0.635 cm / 6.35 mm	
<b>Table Top</b>	Yes	
<b>Operation</b>	Food Pedal	
<b>Feeder</b>	Manual	
<b>Electric</b>	Yes	
<b>Stitching Heads</b>	1 head	2 heads
<b>Wire Size</b>	25 gauge	
<b>Speed</b>	6,000 per hour	9,000 per hour
<b>Adjustable Table</b>	Yes	
<b>Flat Stitching</b>	Yes	
<b>Saddle Stitching</b>	Yes	
<b>Power</b>	110v / 60hz / 1phase	
<b>Machine Weight</b>	55 lbs. / 25kg.	135 lbs. / 61kg.
<b>Machine Size ( L x W x H )</b>	19.2 x 14.9 x 27.1in 49 x 38 x 69cm 490 x 380 x 690mm	21.2 x 16.9 x 27.1in 53.8 x 42.9 x 69cm 538 x 429 x 690mm
<b>Warranty</b>	1 year	

\*Based on letter size, 1 stitch per sheet

For service, parts, maintenance and repair please contact Shark Finishing Machinery or your local dealer.



**Finish Smart with Shark**