

WARRANTY INFORMATION

LEITNER POMA warrants the model 5201239 and 5201240 Sensor Surge Protective Device to be free from defects, and will at our option repair or replace the product should it fail within ten (10) years from the first date of shipment.

This warranty is limited to defects in workmanship or materials, and does not cover customer damage, abuse or unauthorized modification. If this product fails or does not perform as warranted, your sole recourse shall be repair or replacement as described above. Under no condition shall **LEITNER POMA** be liable for any damages incurred incidental or consequential damages arising from the use of or inability to use this product. **LEITNER POMA** specifically disclaims all other warranties, expressed or implied, and the installation or use of this product shall be deemed an acceptance of these terms by the user.

SERVICE

All warranty and non-warranty repairs must be returned freight prepaid and insured to **LEITNER POMA**. All returns must have a Return Authorization number on the outside of the shipping container. This number may be obtained from **LEITNER POMA** at 1-970-241-4442. Products returned without an RA number will not be accepted.

The models **5201239** and **5201240** have no serviceable parts. If a model **5201239** or **5201240** becomes nonfunctional it must be returned to **LEITNER POMA** for replacement. Unauthorized attempts to service the product will void all warranty claims.

SAVE THESE INSTRUCTIONS

NOTE: If devices are received damaged, notify the shipping company immediately. Retain all containers and packing materials for inspection.

LEITNER POMA of AMERICA
2510 Foresight Circle, Grand Junction, Colorado 81505
Phone: 1-970-241-4442 Fax: 1-970-241-3023
e-mail: info@pomagroup.com
Website: www.pomagroup.com



SENSOR SURGE PROTECTIVE DEVICE

Single and Dual Circuit Models
5201239 and 5201240



INSTALLATION INSTRUCTIONS AND WARRANTY INFORMATION

CAUTION - IMPORTANT SAFETY INSTRUCTIONS

1. Never install communication or sensor wiring during a lightning storm.
2. Ensure system voltage is not more than 36VDC (25vac) and system maximum current is not more than 4 amperes.
2. This surge protective device is intended for indoor or outdoor use. Device may be used in remote applications directly exposed to weather.
3. This surge protective device is intended to be mounted onto a flat metal plate that is bonded to earth ground.
4. Ensure all user connections are tightly sealed to prevent contaminant ingress.
5. Read and understand all instructions prior to installation and operation.

INSTALLATION

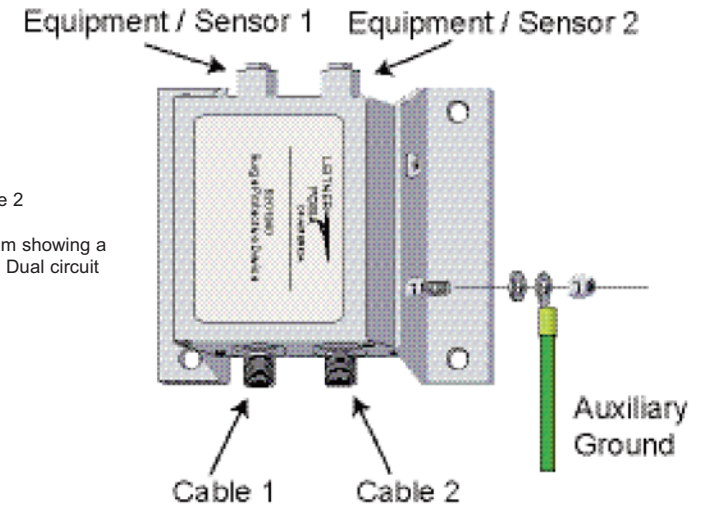
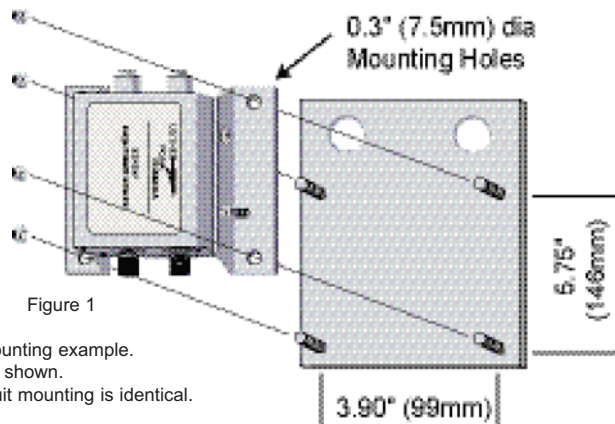
The **5201239 and 5201240** surge protective devices are easy to install. The following instructions clearly explain each step: **Euro-Connector / M12 / DC-Micro Models:**

1. Mount the surge protective device to a grounded flat metal surface (see Figure 1).
If the mounting location is ungrounded, connect a #14AWG (2.5mm²) wire from the surge protective device external grounding stud to the nearest available chassis or system ground.
2. Connect the load (equipment / sensor) side of the surge protective device to the communication equipment or sensor using straight cable hookups as short as possible.
3. Connect the incoming sensor or communication cable to the line (wire / cable) side of the surge protective device.
4. Test the system for proper operation. If a problem occurs, check wire / cable connections.

NOTES:

1. Be sure to follow the installation instructions exactly; if the surge protective is improperly installed, the voltage and/or current limiting feature may be rendered inoperable.
2. The surge protective device is not Line/Load Sensitive and is bi-directional in surge performance.
3. If you have any questions as to how your equipment is grounded, consult the equipment manufacturer's user manual(s).

MOUNTING INFORMATION



NOTE: An auxiliary grounding connection point is provided for connecting the surge protective device to the nearest available chassis or system ground (should the ground connection via the mounting brackets be deemed inadequate or redundant grounding is desired).

NOTE: The product is not polarity or line-load sensitive. The product will function equally well with cable connections or polarity reversed. All cable conductors are protected equally with respect to case ground.

WARNING

Should your equipment or building be subject to a direct lightning strike, this product will not provide complete protection.

NOTE: If applicable, the protected device/equipment should also have AC mains protection because it is still vulnerable to transients on the AC mains. Omitting AC mains protection poses a continued threat of failures at the communication / sensor interface.

GROUNDING

The surge protective device must be connected to the ground reference used by the system being protected. The product is intended to be mounted on a grounded flat metal surface and therefore may be grounded by means of its mounting brackets. Should additional grounding be required, the use of the auxiliary grounding connector is acceptable. Ground wire lead lengths of more than 12" (30cm) are not recommended.

PERFORMANCE NOTE

The grounding wire must be kept as short as possible. Minimize length to the inch/centimeter and use a minimum of No. 14 AWG (2.5mm²).

INDEPENDENT GROUNDS

Surge protection devices must not be connected to ground points that are independent of AC mains or system ground.