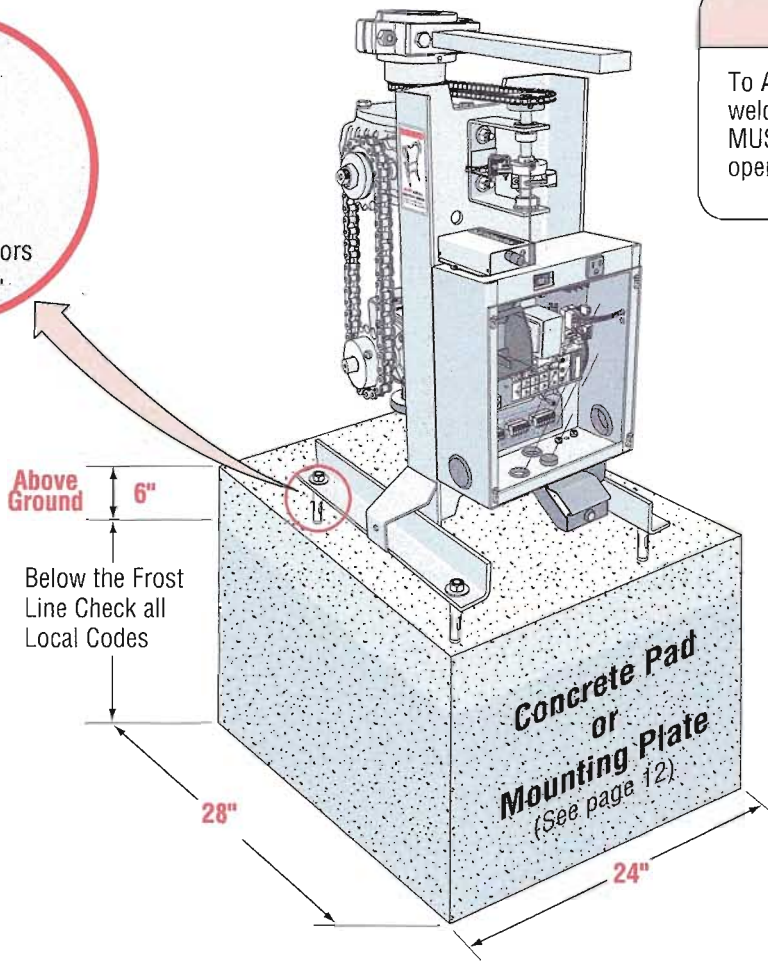
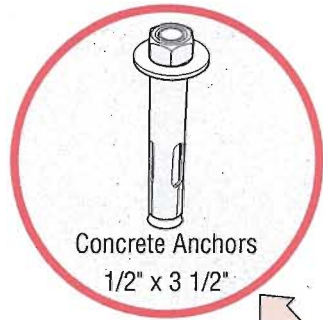
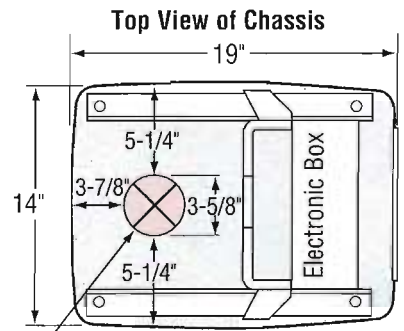


CONCRETE PAD AND ARM ATTACHMENT



CAUTION
To AVOID damaging operator, DO NOT weld ANY supports to chassis. Chassis MUST be allowed to flex during operation.



Approximate placement of high voltage and/or low voltage conduits.

Sample of Standard Arm Attachment (See next page for layout)

