



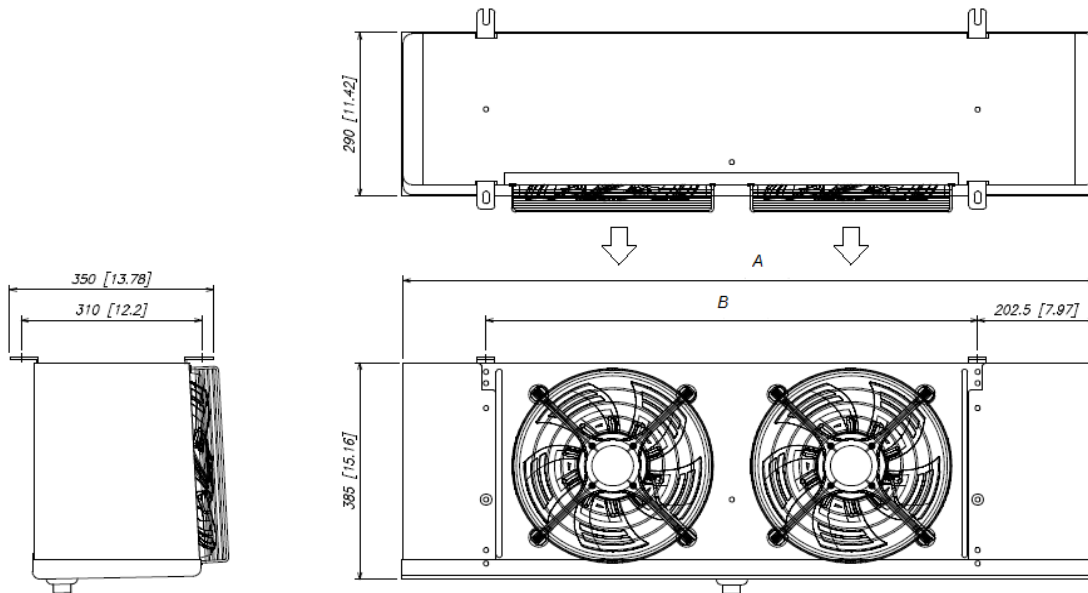
**Infinity Refrigeration Inc**  
 9419 Ann Street  
 Santa Fe Springs, CA 90670  
 Ph: 888-328-9050  
 Fx: 562-287-8903

**Submittal Data/Drawings Sheet**  
 Low Profile Unit Cooler "ILA" Med Temp Model  
 Remote Type Refrigeration System

For Review      Date: 12/21/2017  
 For Approval      By:

Job Name: \_\_\_\_\_ Job Location: \_\_\_\_\_  
 Engineer/ Architect : \_\_\_\_\_ Customer: \_\_\_\_\_ Order # \_\_\_\_\_  
 Model No. : \_\_\_\_\_ Item No. : \_\_\_\_\_ Unit Qty: \_\_\_\_\_ Ref. # \_\_\_\_\_  
 Notes:

**Plan Drawings**



**Performance Data "ILA" Air Defrost, Medium Temperature (60Hz)**

Unit Model Number	Capacity BTuH / Watts 10° F TD 25° F SST	Fan Data		EC Motor Data		Airthrow  Ft
		12in / 30cm Diameter Qty	CFM/ m³H	115V / 60Hz / 1Φ		
				HP	Amps / Watts	
ILA140A	14,000 / 4,100	2	1,622 / 2,756	1/15	1.14 / 131	25

**Physical Data**

Unit Model Number	Refrigeration Connections (Inches)			Drain	Dimensions (inches/cm)				Weight (lbs/kgs)
	Coil Inlet/ Liquid	Suction	External Equalizer		A	B	C	D	
ILA140A	1/2 OD	7/8 ID	1/4 OD	3/4MPT	47.1/1,195	33.3 / 845			

