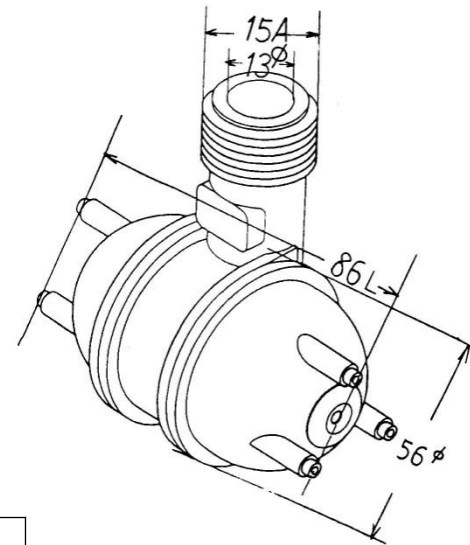


# BT-50 Micro-Nano Bubble Nozzle

Simple yet effective Micro-Nano Bubble device for various applications like DAF, aquaculture, hydroponics etc.

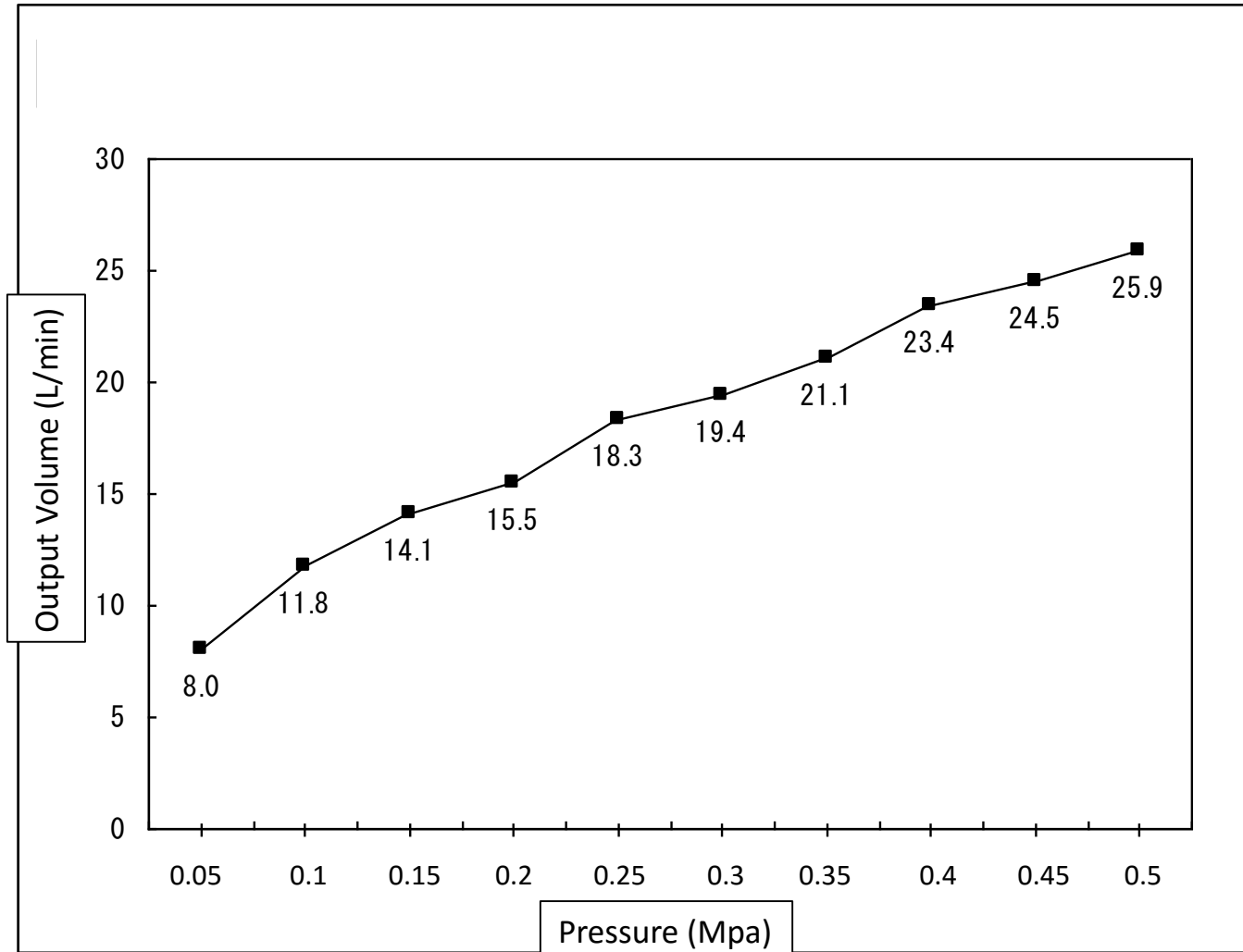
Retail Price: \$150 (ABS), \$350 (PVDF)

Please ask for quantity, distribution partner and OEM pricing.

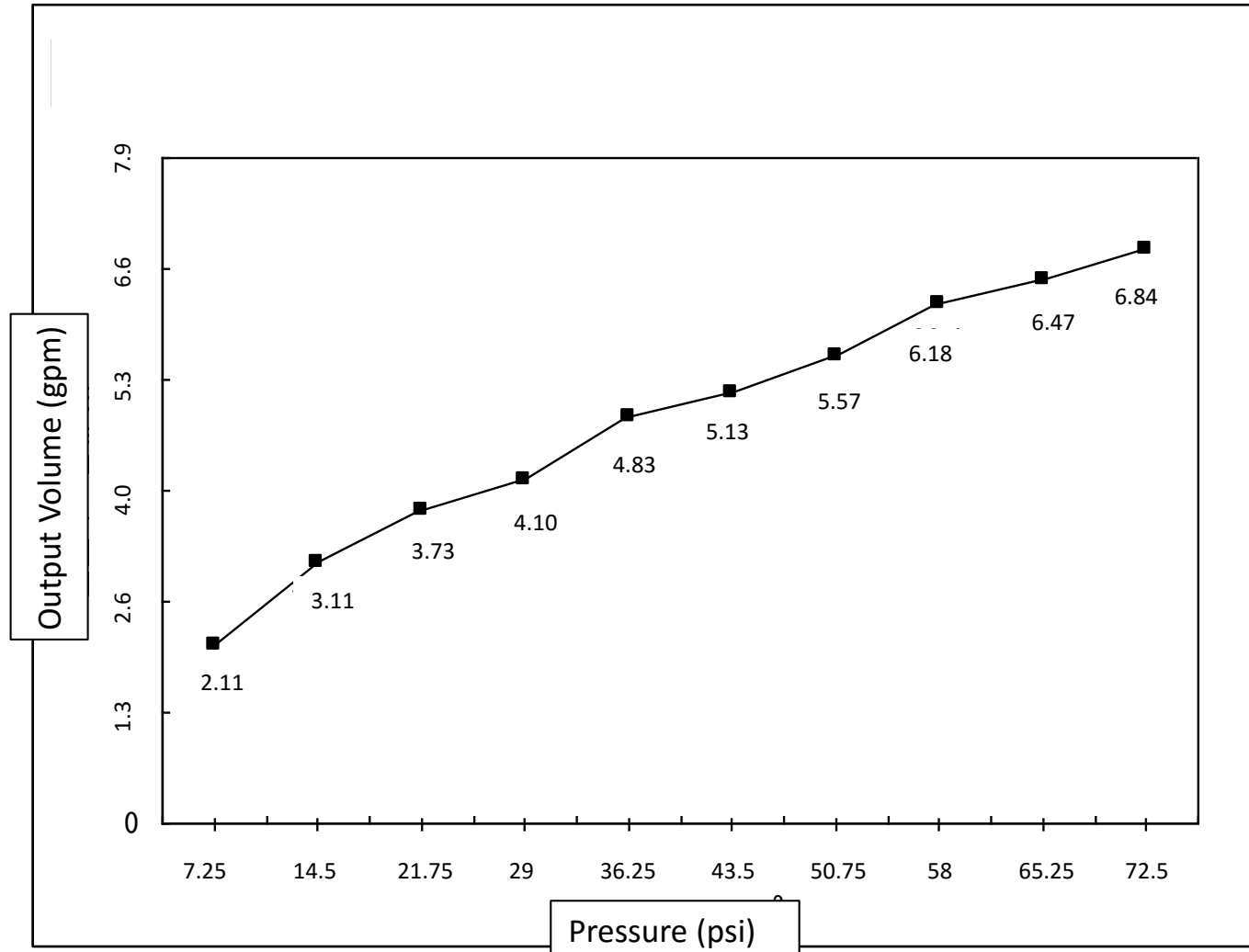


Pump Pressure	Water Flow Rate	Air Flow Rate
0.25 Mpa	18l/min	0.18-0.9l/m
36 psi	4.76 GPM	
0.3 Mpa	20l/min	0.2-1l/m
43.5 psi	5.28 GPM	

# BT-50 Pressure vs Water flow rate



# BT-50 Pressure vs Water flow rate

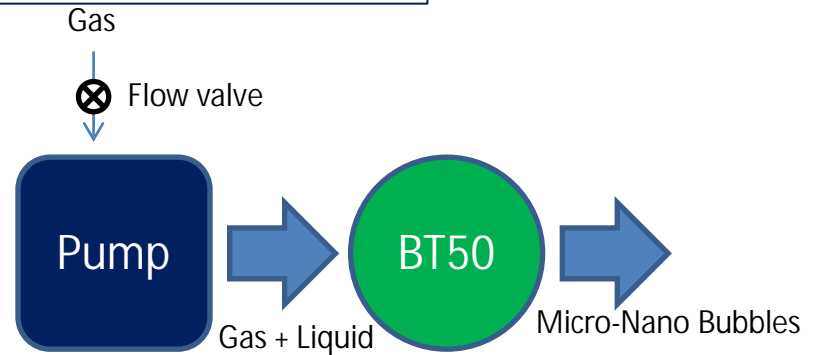
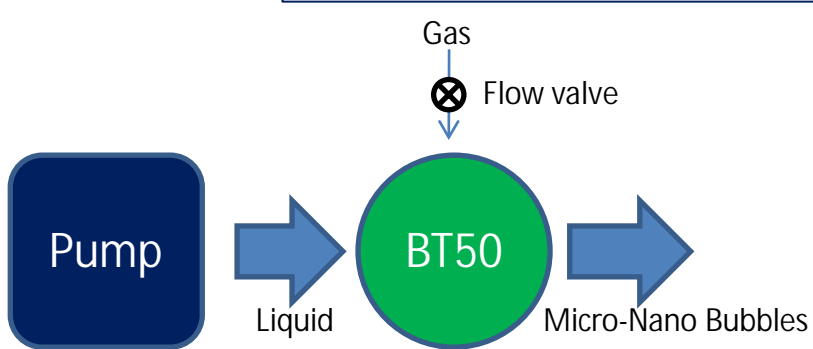


# BT50 Connecting diagram

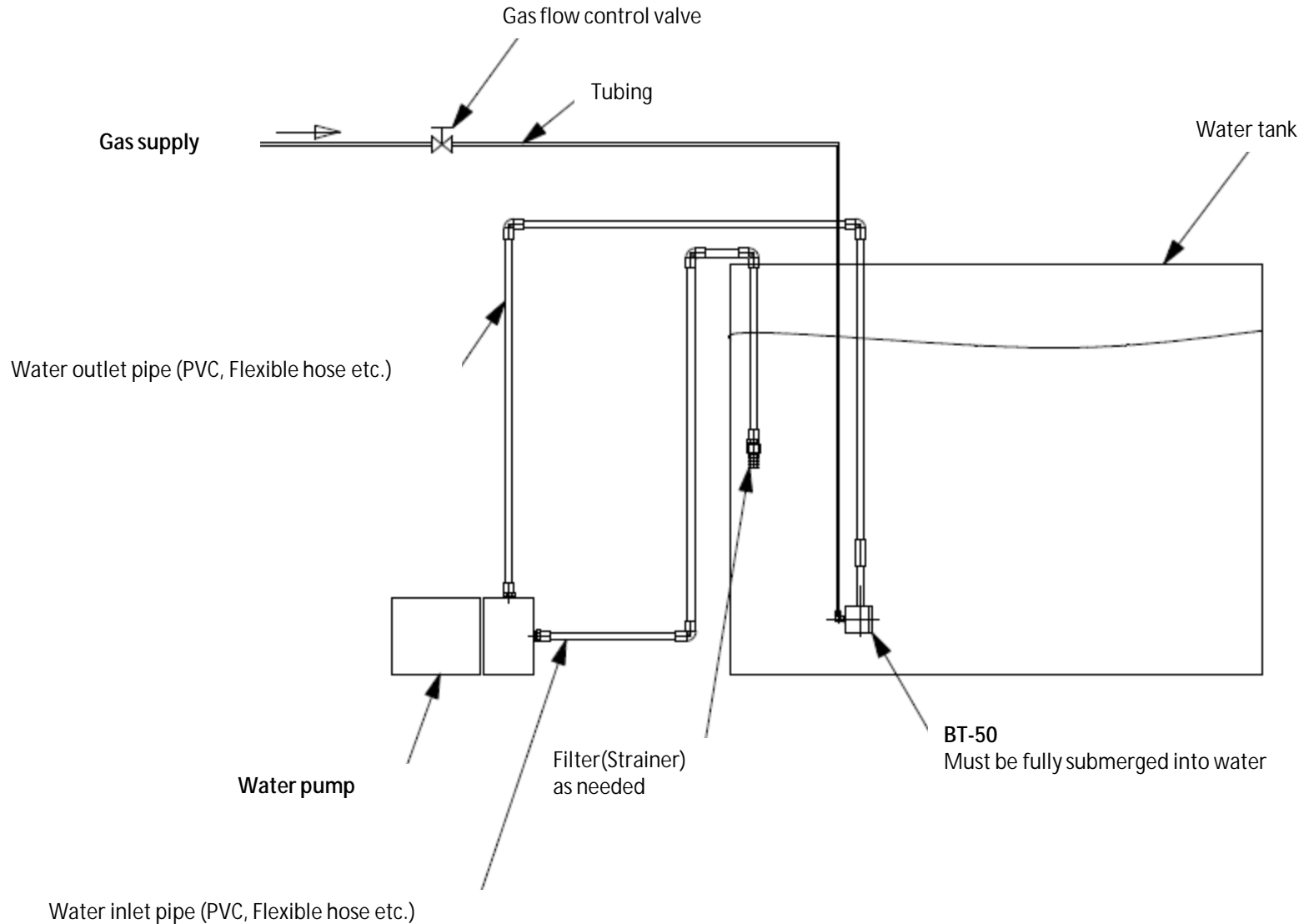
1. Using gas aspiration tube attached to the body

2. Using negative pressure at pump inlet

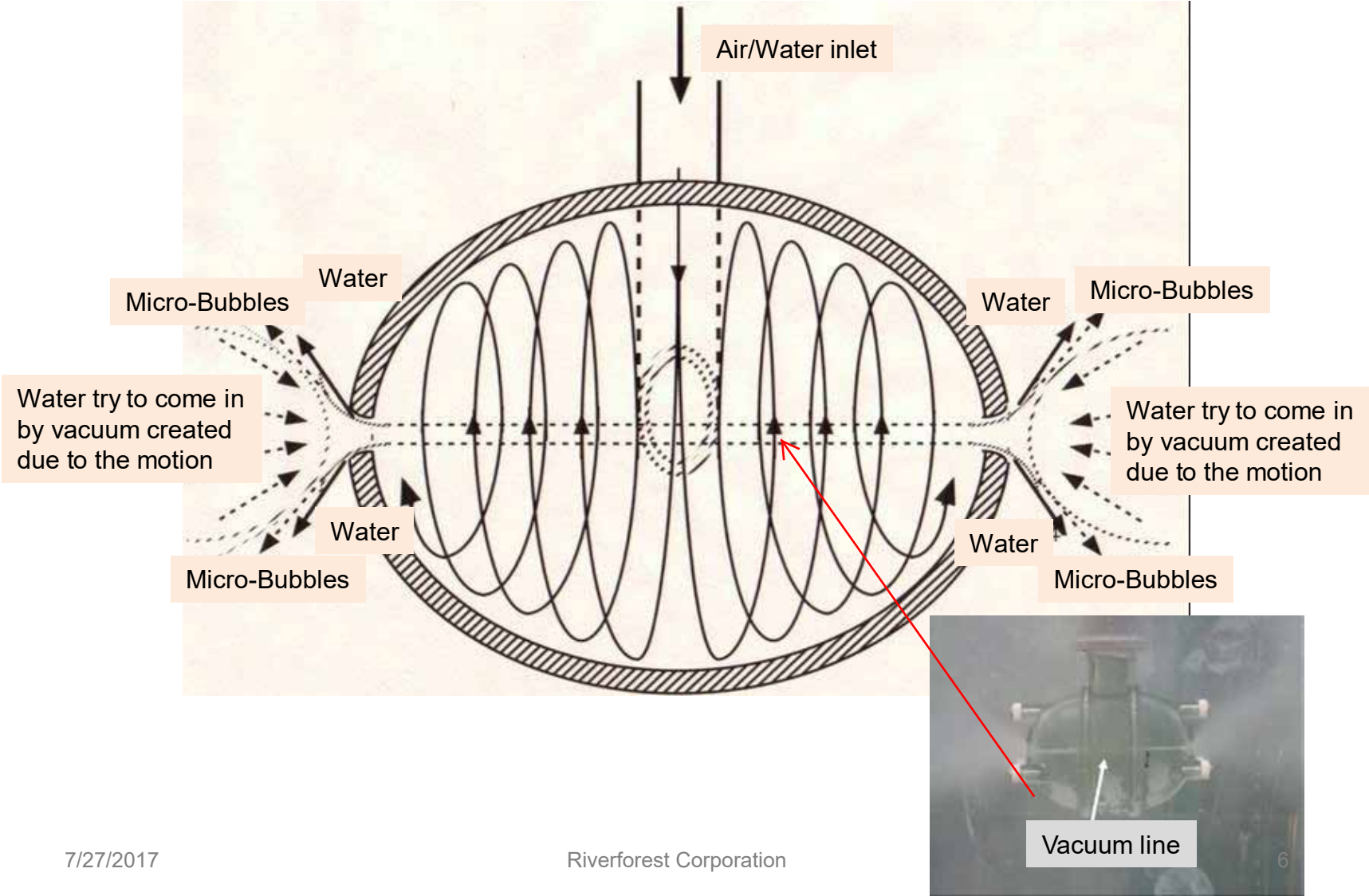
Note: The gas flow should be controlled 1 to 5% of Liquid flow rate



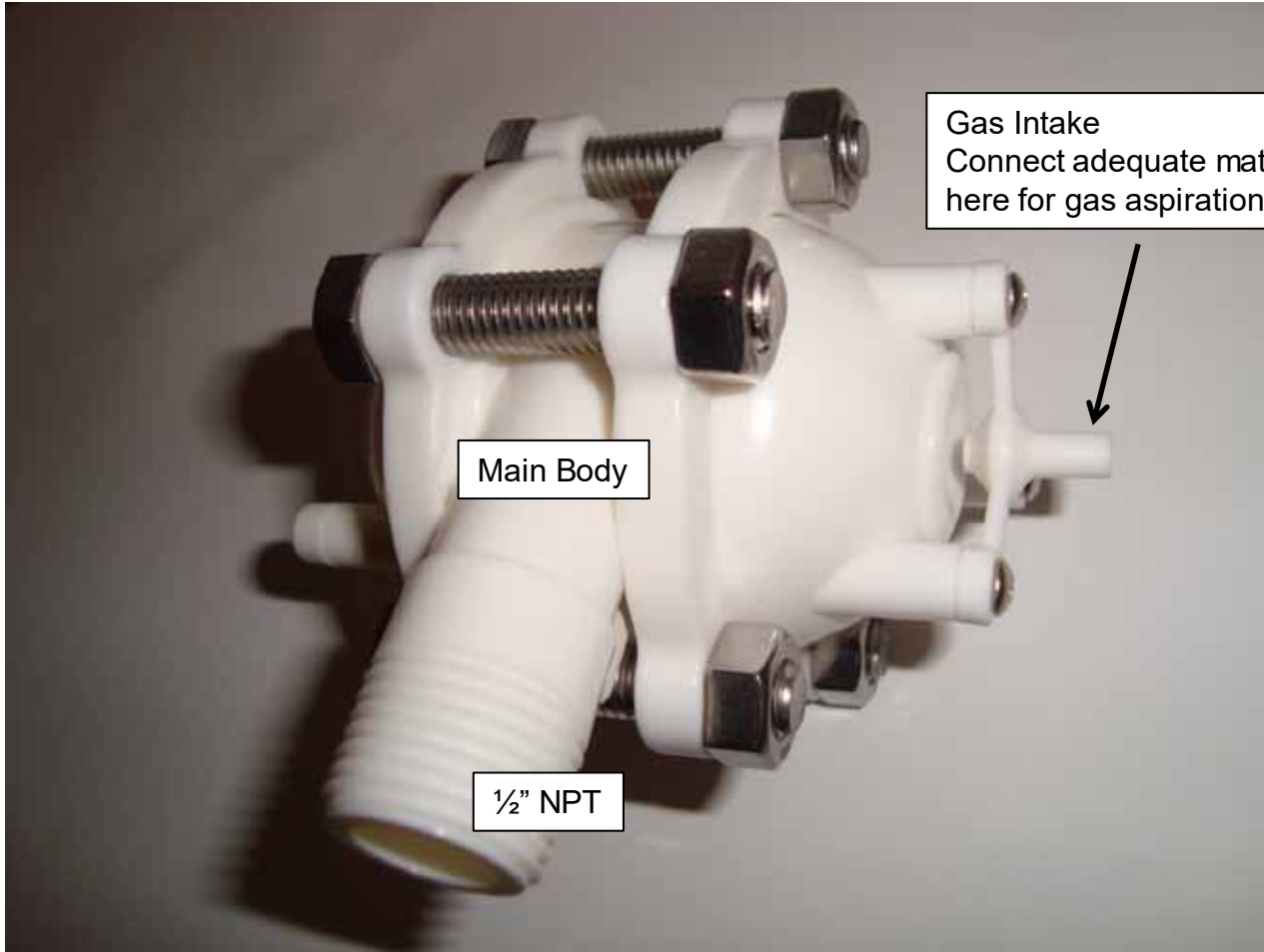
# BT-50 Connecting Diagram



# BT-50 Turbulent Motion

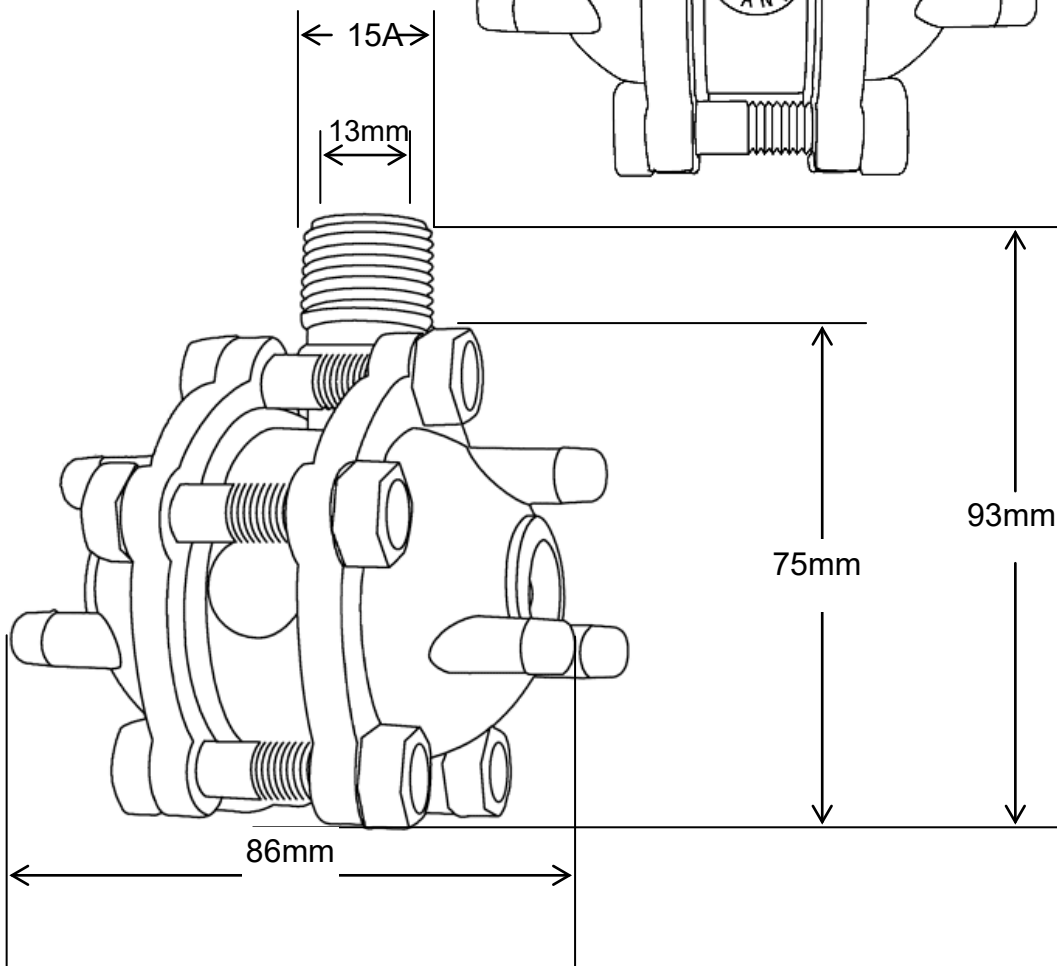
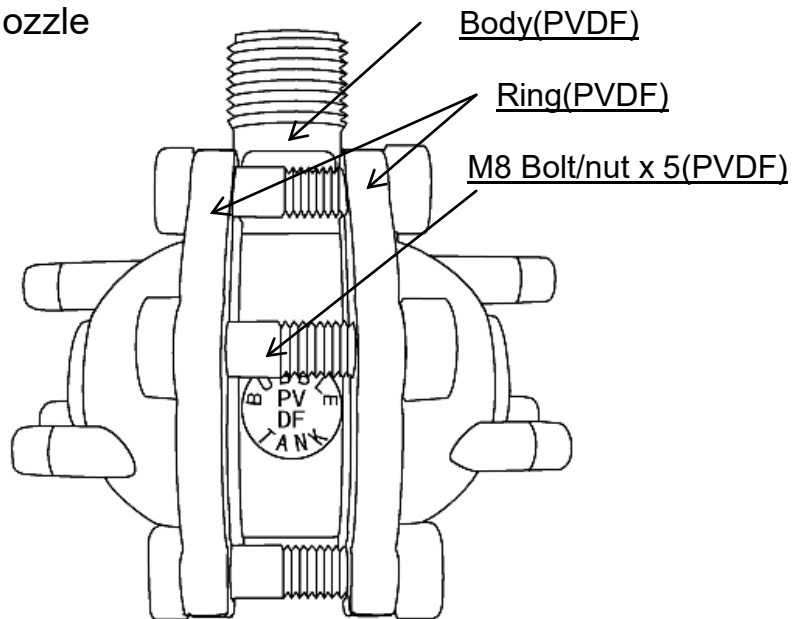


# BT-50FR (PVDF Version)



# BT-50FR

Micro-Nano Bubble nozzle



BT-50FR (Material: PVDF)

<Feature> Use of ozone, Better thermal stability, Chemical resistance  
Ruggedized design



# An example of multiple BT-50 connection



# BT-50X7

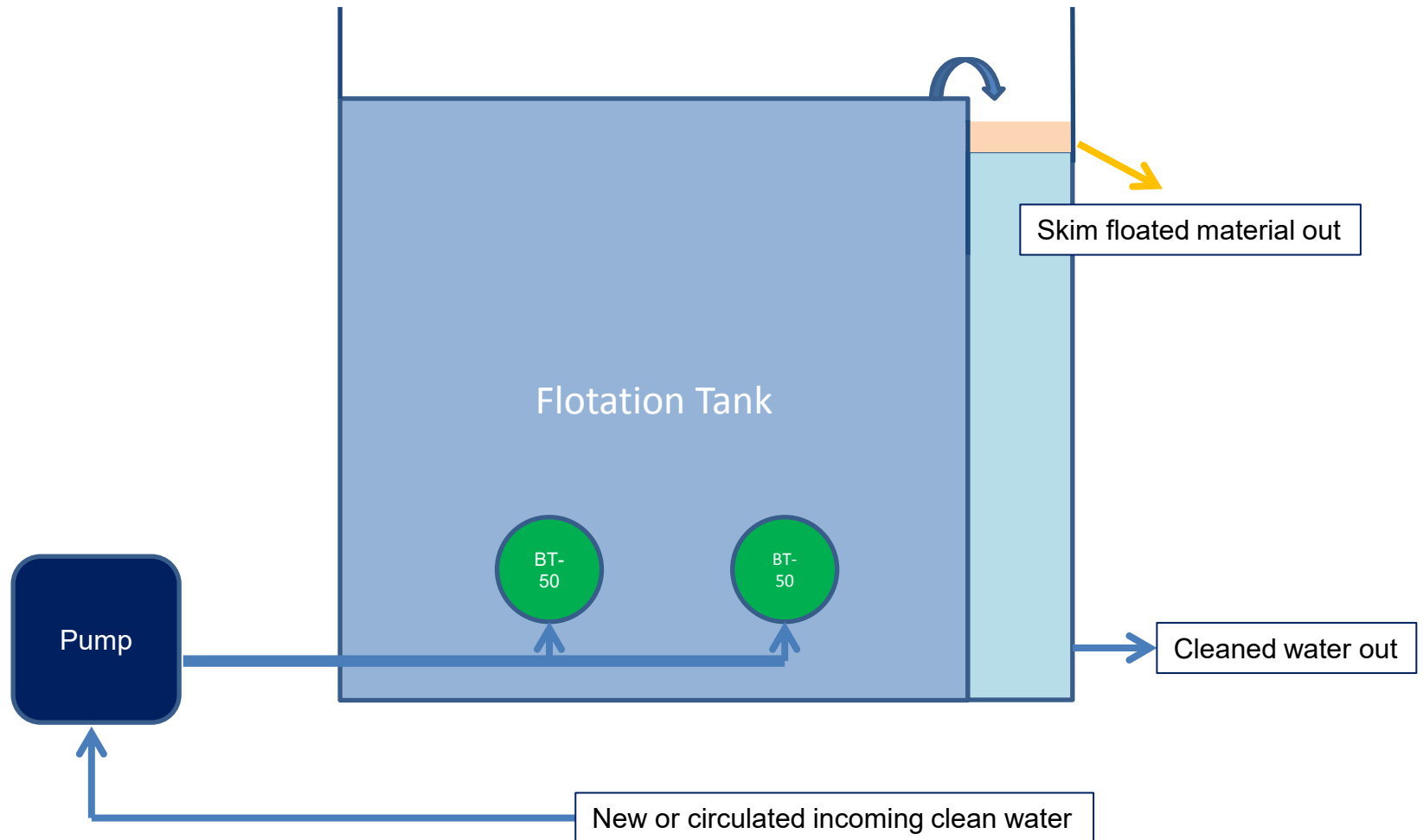
Retail Price: \$650 (ABS).

Please ask for quantity, distribution partner and OEM pricing.



Pump requirement: 100-140lpm (26-37gpm) water flow at 0.25-0.3Mpa(35-42psi) pressure.  
Gas volume: 1-2.8lpm

# BT-50 for DAF tank



## BT-50P for DAF



Added plates reduce rapid water output to avoid unnecessary mixing of water.

» Pumps » Centrifugal » Self Priming Portable Utility

**Nonsubmersible Plastic Portable Self Priming Utility Pump**

Brand: Dayton  
 Model: 3YU60  
 SKU: 73847



**\$188.41**

Free 3 Business Day Shipping

**ADD TO CART**



Total Ratings: 0  
 Average Rating: 0

**REVIEW THIS ITEM**

Ask about this item



**MORE PRODUCTS**



Dayton  
**Non-Submersible**

Model: 4CB57  
 SKU: 66519

+++++ (0 reviews)  
**\$179.94** + FREE Shipping



Wayne Water Systems  
**115 Volt Portable Self-Priming Transfer Pump**

Model: PC2  
 SKU: 1354342

+++++ (1 reviews)  
**\$75.95** + FREE Shipping



Dayton  
**Non-Submersible Plastic Garden Hose Pump Kit**

Model: 3YU61  
 SKU: 74104

+++++ (0 reviews)  
**\$107.76** + FREE Shipping



Liberty Hardware  
**Self Priming Centrifugal**

**PRODUCT INFORMATION**

ITEM	Sprinkler/Utility Pump
TYPE	Portable
HP	1/2
PHASE	1
VOLTAGE	115
AMPS	6.5
HZ	60
INLET (IN.)	1
OUTLET (IN.)	1
MOTOR ENCLOSURE	ODP
RPM	3450
MOTOR TYPE	PSC
WETTED MATERIALS	Thermoplastic, Stainless Steel, Brass, Carbon, Ceramic, Buna N
IMPELLER MATERIAL	Plastic with Brass Insert, SS Wear Ring
HOUSING MATERIAL	Plastic
VOLUTE MATERIAL	Plastic
SHAFT MATERIAL	Stainless Steel
SCREW MATERIAL	Stainless Steel
SEAL TYPE	Mechanical
SEAL MATERIAL	Carbon, Ceramic, Buna N
SEAL APPLICATION	Nonflammable and Nonabrasive Liquids compatible with seal component materials up to 90°F
MAX. LIQUID TEMP. (F)	90
SUCTION LIFT (FT.)	25
GPH OF WATER @ 5 PSI	618
GPH OF WATER @ 10 PSI	594
GPH OF WATER @ 15 PSI	588
GPH OF WATER @ 20 PSI	576
GPH OF WATER @ 25 PSI	456
GPH OF WATER @ 30 PSI	366
GPH OF WATER @ 35 PSI	294

GPH OF WATER @ 40 PSI	252
GPM OF WATER @ 5 FT. OF HEAD	10.3
GPM OF WATER @ 10 FT. OF HEAD	9.9
GPM OF WATER @ 15 FT. OF HEAD	9.8
GPM OF WATER @ 20 FT. OF HEAD	9.6
GPM OF WATER @ 25 FT. OF HEAD	7.6
GPM OF WATER @ 30 FT. OF HEAD	6.1
GPM OF WATER @ 35 FT. OF HEAD	4.9
GPM OF WATER @ 40 FT. OF HEAD	4.2
MAX. HEAD (FT.)	134
MAX. PRESSURE (PSI)	58
CORD	10 ft.
BEST EFFICIENCY GPM @ HEAD (FT.)	N@A
MAX. SPECIFIC GRAVITY	1.0
MAX. CASE PRESSURE (PSI)	58
MAX. FLUID VISCOSITY	100 SSU
IMPELLER TYPE	Closed Impeller
BEARING TYPE	Ball
DUTY	Continuous
MAX. DIA. SOLIDS (IN.)	Clear water Only
AGENCY COMPLIANCE	UL Listed
MANUFACTURERS WARRANTY LENGTH	1 Year
APPLICATION	To Transfer Water, Run Multiple Lawn Sprinklers or Boost City Water Pressure Up to 40 PSI for Washing Cars, Boats and Farm Equipment
FOR USE WITH	Nonflammable Liquids Compatible with Pump Materials
HEIGHT (IN.)	10.0
LENGTH (IN.)	14.5
WIDTH (IN.)	7.8
INCLUDES	1" FNPT x 3/4" Garden hose adapters
WEIGHT	18.00

- Portable Utility/Sprinkler Pump
- Versatile self-priming pump transfers water, runs multiple lawn sprinklers (using water from lakes, streams, and ponds), or boosts city water pressure.
- Overload protection and On-Off switch. Plastic impeller, and convenient built-in carrying handle. Includes garden hose adapters.
- Mechanical carbon ceramic Buna N seal
- WARNING: Use only with nonflammable liquids compatible with pump component materials and in nonflammable/nonexplosive atmospheres.
- California Proposition 65 Warning: This product contains a product known to the State of California to cause cancer. Warning: This product contains a chemical known to the State of California to cause birth defects or other reproductive harm.

**NonSubmersible Plastic Portable Self Priming Utility Pump, HP Rating 1/2, Voltage @ 60 Hz 115, Current @ 115 VAC 7.2 Amps, Manual Switch, Water Flow @ 5 Feet of Head 6.1 GPM, Shut Off @ 51 Feet, Discharge NPT 1 Inches, Maximum Solid Handling 1/4 inch, Maximum Temperature 90 Degrees F, Cord 16/3 x 10 Feet, Height 9 Inches**

#### Pump

Model: 331  
SKU: 118395

+++++ (0 reviews)

**\$321.82** + \$13.61 Shipping



Wayne Water Systems  
1/2 HP Portable Cast-Iron  
Transfer Pump

Model: PC4  
SKU: 1354343

+++++ (0 reviews)

**\$110.75** + \$15.39 Shipping

**(Out of Stock)**

#### CUSTOMER SERVICE

Contact Us  
720-204-3660  
Help / FAQ  
7/27/2017

#### SHIPPING + RETURNS

Shipping Policy  
Cancellations / Changes  
Returns

#### ACCOUNT

Login / Register  
My Account  
Order Status

#### COMPANY INFO

About Us  
Testimonials  
Privacy Policy