

## Questionnaire for Price Quotation for a Moveable Trash Rack Cleaner

**I. Contact Data**

PROJECT NAME   
(please reference on all correspondence)

PROJECT SITE   
(location and country)

Contact name  Company

Address

ZIP code / City   Country

Phone  Mobile

E-mail  Web

Developer     Consulting Agency    Name of Project Owner

**II. Status**

Feasibility study                       Contract pending; construction scheduled for:

Public tender                                      Deadline for submitting an offer:

Construction of a new power plant     Modernisation of an existing plant

**III. Technical data**

A Screen inclination  °

B Screen pedestal  in

C Roof projection  in

D Height of roof  in

E Height of apron  in

G Distance to gate  in

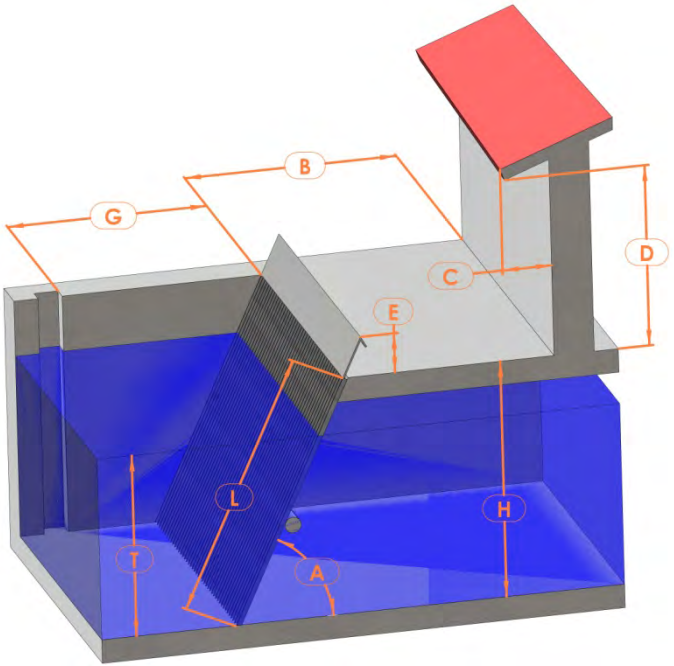
H Height of pedestal  in

L Screen length  in

T Water depth min.  in  
max.  in

Tension  V

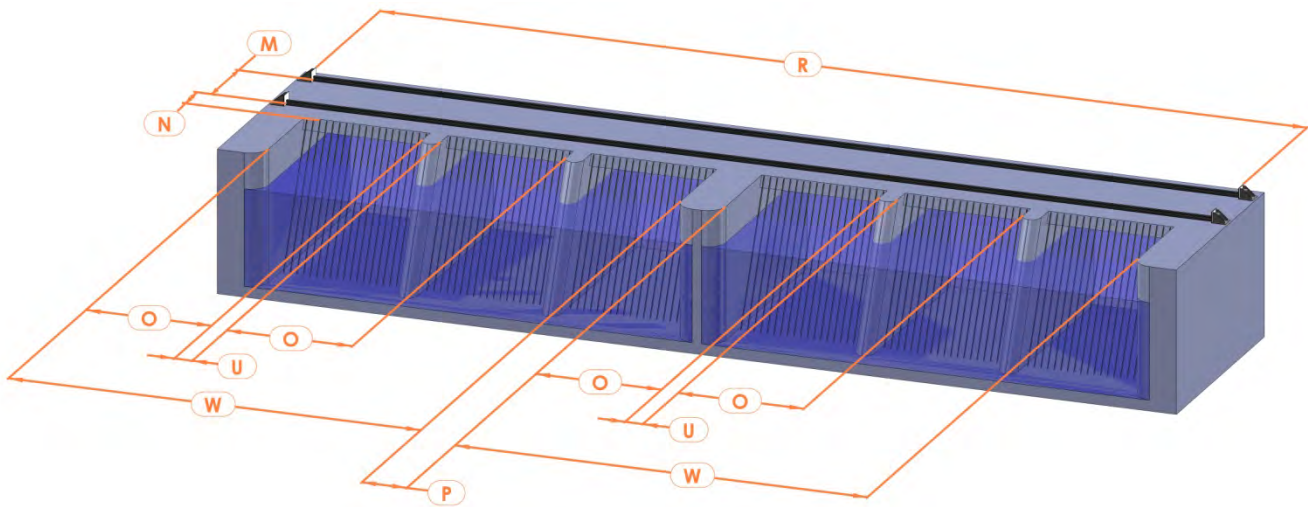
Frequency  Hz



Outside temperature between 14°F and 104°F     yes                       no; temperature from  °F to  °F

Screening disposal     Container with base flap                       Returnable container

Conveyor     Wash-out channel



W Inlet width  in

Number of inlets W

O Screen width  in

Number of screens O per inlet W

P Concrete wall width  in  
between the individual inlets

U Partition wall width  in  
between the individual screens

Spacing of screen bars  in

M Distance of rails  in

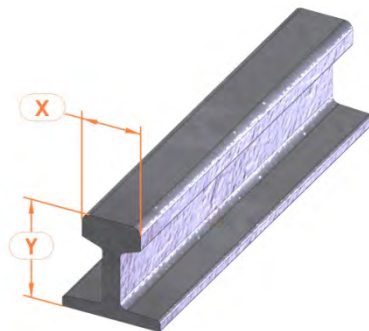
N Distance of rail  in  
to front edge of screen

R Rail length  in

X Rail width  in

Y Rail height  in

Type of rail



IV. Comments

Date, place

Signature

**OSSBERGER HYDRO  
USA & CANADA**

1940 Flint Lock Ct  
Powhatan, Virginia 23139  
Tel: 804 360 7992

7774 Boyer, Montreal  
QC, H2R2S2  
Tel: 514 525 8430  
Cell: 438 880 5655

[info@ossbergerhydro.com](mailto:info@ossbergerhydro.com)  
[www.ossbergerhydro.com](http://www.ossbergerhydro.com)



**OSSBERGER GmbH + Co. KG**  
Otto-Rieder-Strasse 5-11  
D-91781 Weißenburg / Bayern  
GERMANY  
+49 (0) 91 41 / 9 77-0  
[info@ossberger.de](mailto:info@ossberger.de)  
[www.ossberger.de](http://www.ossberger.de)