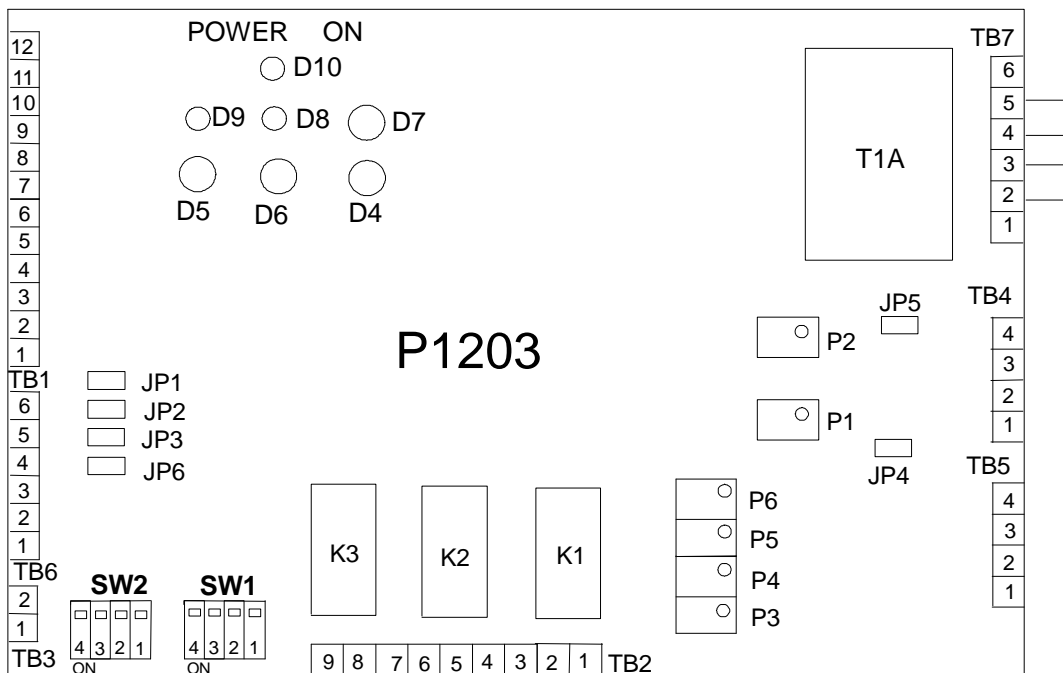


OPERATING INSTRUCTIONS FOR RAMP CONTROL

Refer to enclosed time sheet for ramp board P1203. The ramp board is located inside the remote control or in the electrical sump of the rectifier.

This rectifier is configured to base Ramp **2** time selection. (See enclosed ramp time selection sheet.) For ramp time selections, use **SW2** (See ramp board diagram.) There are 16 switch combinations for each base time group. Select the base ramp time in minutes by setting switches 1 thru 4 as indicated on time chart. Once switches 1 thru 4 are set, the ramp time can be adjusted from 1 to 100% of the selected base ramp time. Adjust the "Ramp Time" knob on the front of the remote to the desired time.



Time Selection Chart for P1203

Ramp 1 (SW1 on Board)

TIME in Minutes	Switch 4	Switch 3	Switch 2	Switch 1
6	OFF 0	OFF 0	OFF 0	OFF 0
12	OFF 0	OFF 0	OFF 0	ON 1
18	OFF 0	OFF 0	ON 1	OFF 0
24	OFF 0	OFF 0	ON 1	ON 1
30	OFF 0	ON 1	OFF 0	OFF 0
36	OFF 0	ON 1	OFF 0	ON 1
42	OFF 0	ON 1	ON 1	OFF 0
48	OFF 0	ON 1	ON 1	ON 1
54	ON 1	OFF 0	OFF 0	OFF 0
60	ON 1	OFF 0	OFF 0	ON 1
66	ON 1	OFF 0	ON 1	OFF 0
72	ON 1	OFF 0	ON 1	ON 1
78	ON 1	ON 1	OFF 0	OFF 0
84	ON 1	ON 1	OFF 0	ON 1
90	ON 1	ON 1	ON 1	OFF 0
100	ON 1	ON 1	ON 1	ON 1

Ramp 2 (SW2 on Board)

TIME in Minutes	Switch 4	Switch 3	Switch 2	Switch 1
1	OFF 0	OFF 0	OFF 0	OFF 0
5	OFF 0	OFF 0	OFF 0	ON 1
10	OFF 0	OFF 0	ON 1	OFF 0
15	OFF 0	OFF 0	ON 1	ON 1
25	OFF 0	ON 1	OFF 0	OFF 0
30	OFF 0	ON 1	OFF 0	ON 1
35	OFF 0	ON 1	ON 1	OFF 0
40	OFF 0	ON 1	ON 1	ON 1
45	ON 1	OFF 0	OFF 0	OFF 0
50	ON 1	OFF 0	OFF 0	ON 1
55	ON 1	OFF 0	ON 1	OFF 0
60	ON 1	OFF 0	ON 1	ON 1
70	ON 1	ON 1	OFF 0	OFF 0
80	ON 1	ON 1	OFF 0	ON 1
90	ON 1	ON 1	ON 1	OFF 0
100	ON 1	ON 1	ON 1	ON 1