

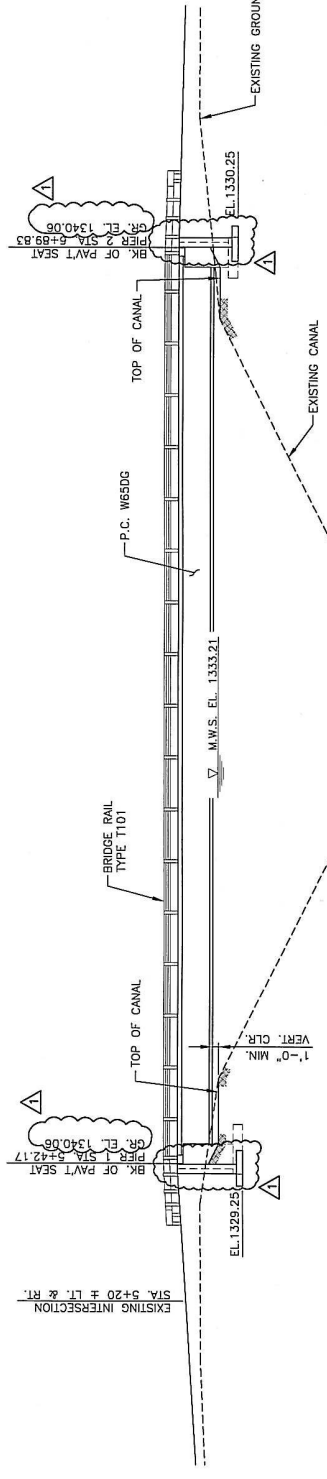
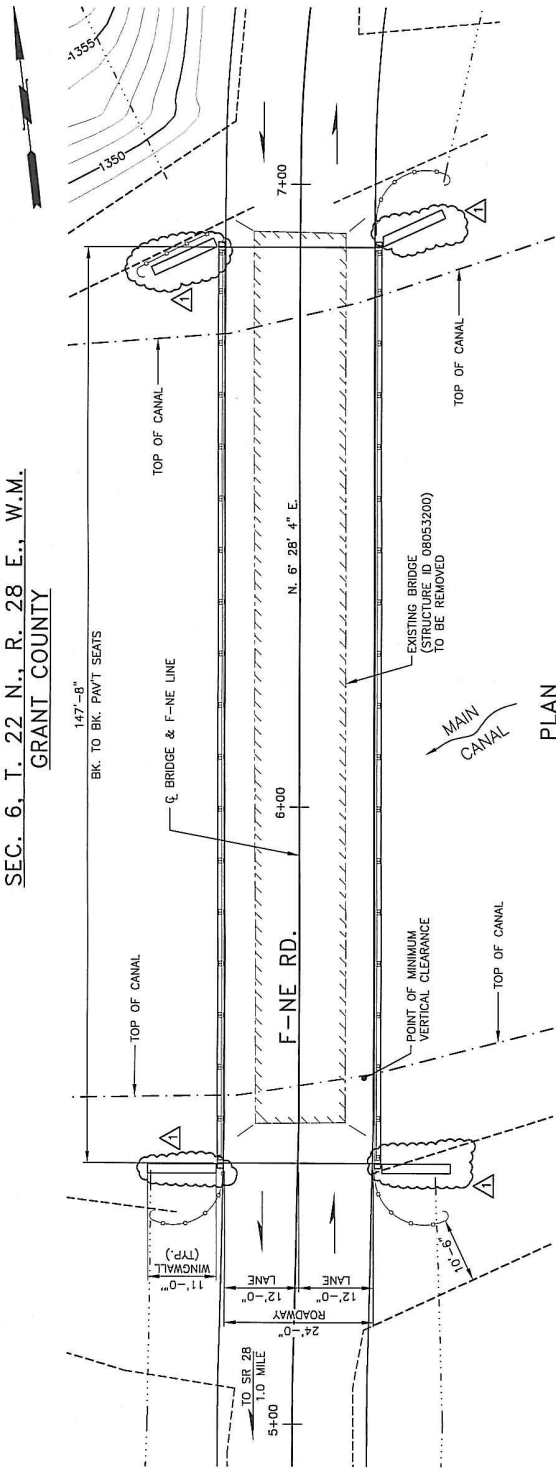
SEC. 6, T. 22 N., R. 28 E., W.M.
GRANT COUNTY

GENERAL NOTES

1. ALL MATERIAL AND WORKMANSHIP SHALL BE IN ACCORDANCE WITH THE STANDARD SPECIFICATIONS FOR ROAD, BRIDGE AND MUNICIPAL CONSTRUCTION DATED 2008 AND AMENDMENTS.
2. THIS STRUCTURE HAS BEEN DESIGNED IN ACCORDANCE WITH THE REQUIREMENTS OF THE ASHTO LRFD BRIDGE DESIGN SPECIFICATIONS 4TH EDITION - 2007.
3. ALL CAST-IN-PLACE CONCRETE SHALL BE CLASS 4000.
4. FOOTING ELEVATION AND SUBSTRUCTURE DETAILS ARE SUBJECT TO REINFORCING STEEL FOR FOOTINGS AND PIERS SHALL NOT BE CUT UNTIL FOOTING ELEVATIONS HAVE BEEN DETERMINED AND SUBSTRUCTURE DETAILS HAVE BEEN MODIFIED.
5. THE MAXIMUM DESIGN SOIL PRESSURE PER SQUARE FOOT IS 4 TONS AT THE NORTH FOOTINGS AND 2.5 TONS AT THE SOUTH FOOTINGS.
6. UNLESS OTHERWISE SHOWN ON THE PLANS, THE CONCRETE COVER MEASURED FROM THE FACE OF THE CONCRETE TO THE FACE OF ANY REINFORCING STEEL SHALL BE 1 1/2"

LEGEND

- NEW CENTERLINE
- NEW EDGE OF PAVT.
- NEW GUARDRAIL
- - - NEW ROAD CUT
- - - TOP OF CANAL
- - - EXIST. ROWY. EDGE
- - - INTERMEDIATE CONTOUR
- - - INDEX CONTOUR
- ⊙ IDENTIFIES SECTION TAKEN OR SHOWN ON BRIDGE SHEET NO.
- ⊙ IDENTIFIES SECTION TAKEN OR SHOWN ON THE SAME SHEET



P.C. DECK GIRDERS W65DG
LIVE LOADING: HL-93

APPROVED BY: _____
COUNTY ROAD ENGINEER
DATE: _____

ELEVATION

GRADE ELEVATIONS SHOWN ARE FINISHED GRADE ON TOP OF BRIDGE DECK AT ϕ OF F-NE ROAD AND ARE EQUAL TO PROFILE GRADE.

REF. EL. 1300.00

BRIDGE #118 F-NE ROAD
CRP 06-06
BRIDGE LAYOUT

DAVID EVANS AND ASSOCIATES INC.
1115 West Elm Drive N.W. Suite 301
Olympia, WA 98512
Phone: 360.765.2165



GRANT COUNTY PUBLIC WORKS DEPARTMENT
124 ENTERPRISE ST. SE
EPHRATA, WASHINGTON 98823
(509) 754-6082 FAX (509) 754-6087

DESIGNED BY: JPT	MODIFIED ELEVATIONS FOR NEW EXTERIOR
DRAWN BY: GRJ	GIRDER CHECKING WALL DIMENSIONS.
CHECKED BY: JJJ	MODIFIED RETAINING WALL DIMENSIONS.
REVISIONS BY:	REVISION
DATE REVISED: 10/1/08	
FEDERAL AID NO.:	

B1