

L8542663
09/2010 rev 0

ADVANTAGE
system

ONE2 WI ONE2 WB

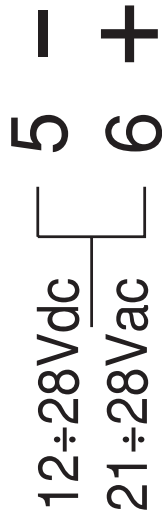
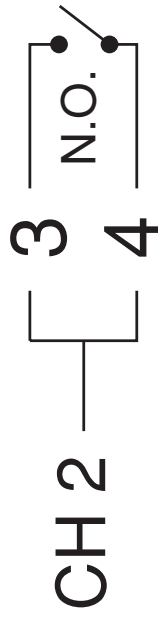
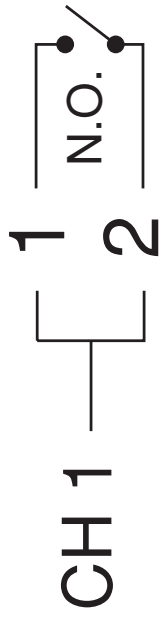
BENINCA[®]
TECHNOLOGY TO OPEN

CE

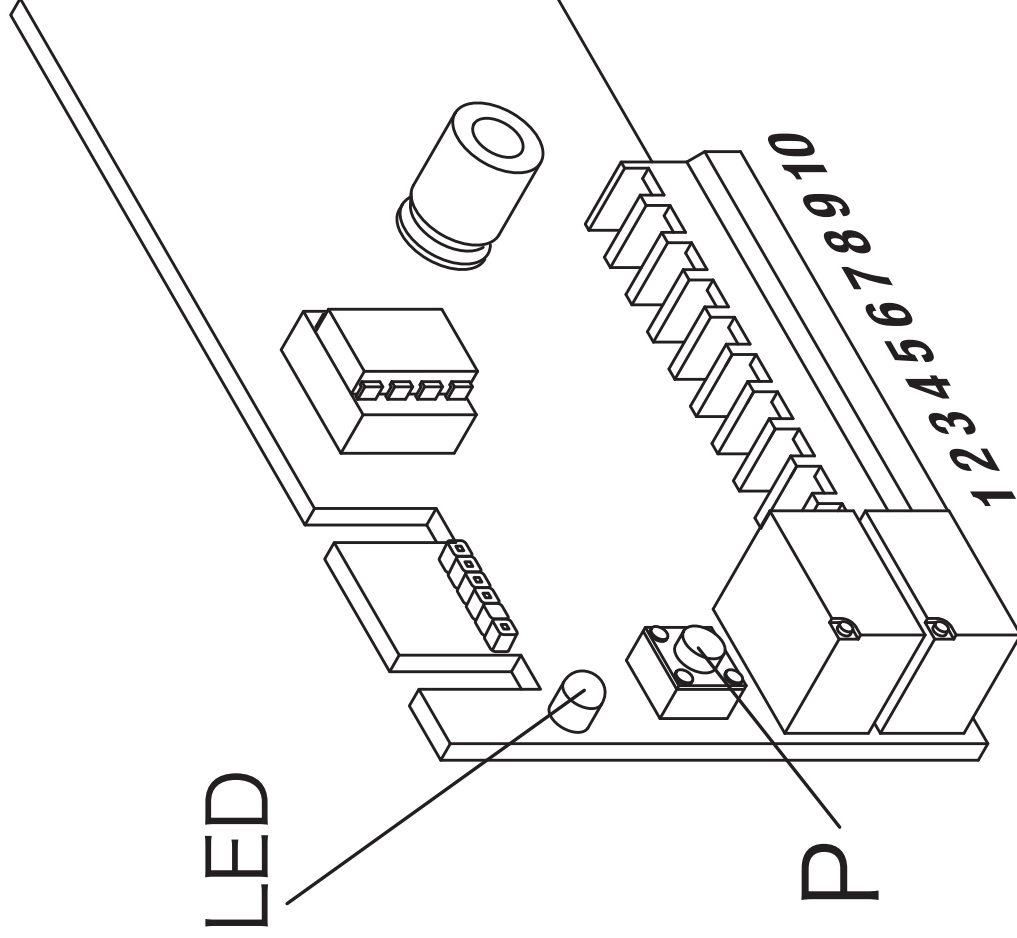
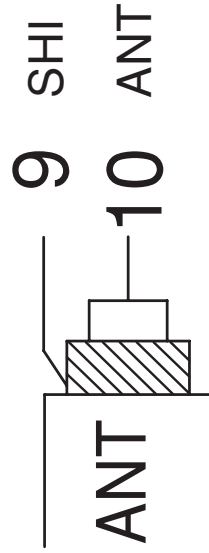


UNIONE NAZIONALE COSTRUTTORI
AUTOMATISMI PER CANCELLI, PORTE
SERRANDE ED AFFINI

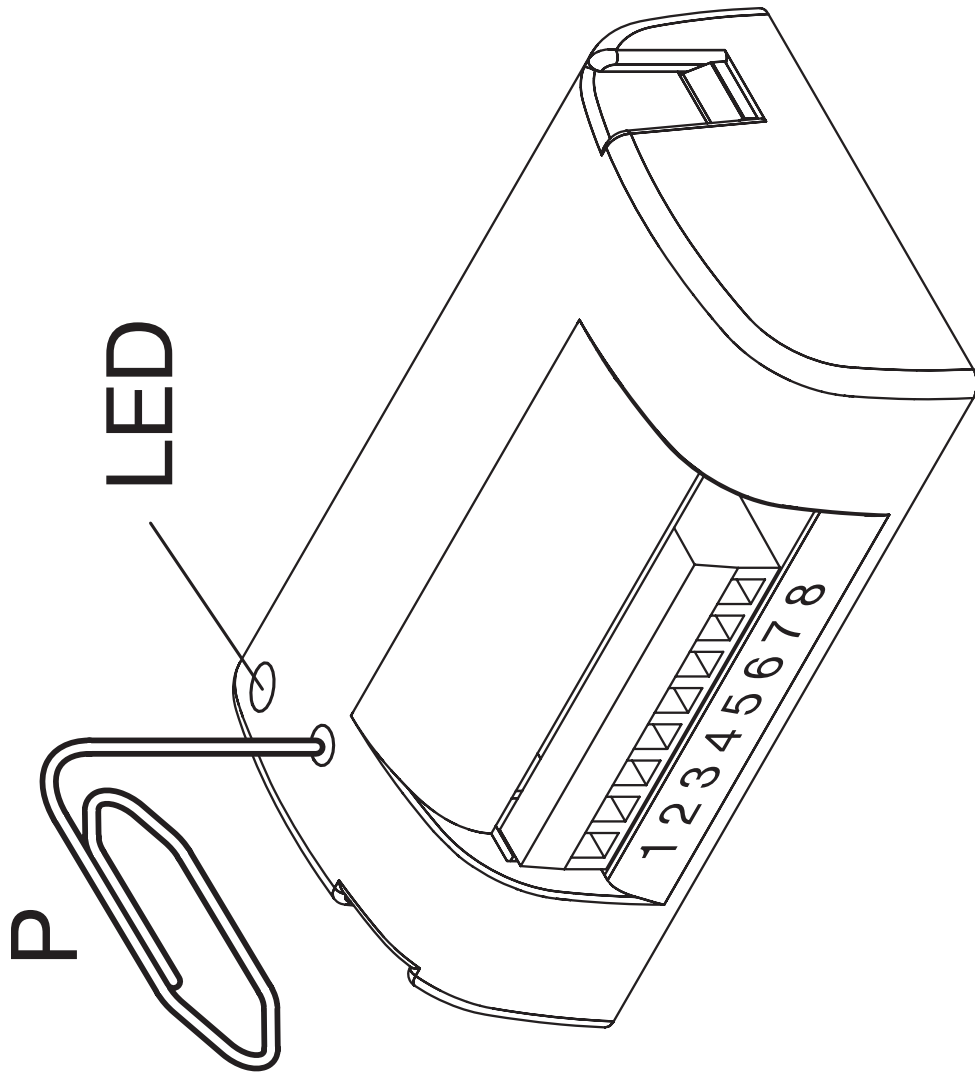
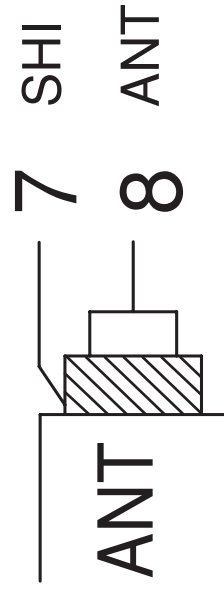
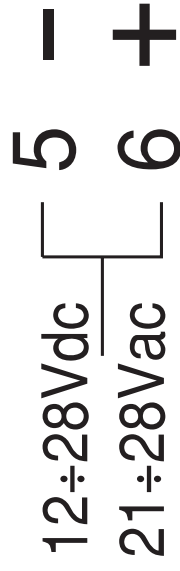
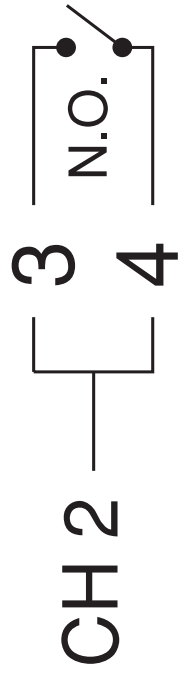
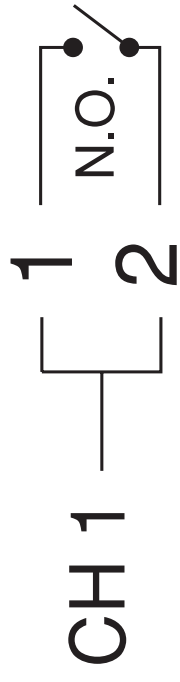
ONE2 WI



7 8



ONE2 WB



ENGLISH

433,92MHz Radioreceiver 1/2 channels, multiple decoding, compatible with ADVANTAGE system.

They are available with Molex (ONE2 WI) socket or in a plastic box with terminal board (ONE2 WB). A special version is available with a memory that can hold 2048 transmitters. A full memory is indicated by 10 orange blinks.
N.B: The Advantage palm programmer and related management software permit the use of certain advanced functions, please consult the relevant instruction manual for more information.

IMPORTANT:

ONE2 can work with rolling code or programmable code transmitters. The first receiver memorized will fix the receiver decoding.

If for instance the first transmitter is a rolling code, from then on the receiver will work with rolling code transmitters only. Erasing the receiver memory reset decoding type also.

To optimise reception install the antenna away from metal bodies and avoid positioning several receivers next to each other. If no antenna is used reception will be considerably reduced.

Memorising transmitters – Simplified procedure

To merely record one or more transmitters to activate the first channel, follow this simplified procedure:

- 1 Press and release the button P on the receiver.
- 2 The Red LED will light up for 3 secs, then go out for 1 sec and then light up again for 5 secs.
- 3 While the red LED is on, press the button on the transmitter to associate with channel 1.
- 4 Other transmitters can be then be recorded by pressing a

- button within 5 secs from recording the previous transmitter.
- 5 To end wait 5 secs, the receiver will exit programming.

Memorising a transmitter – Remote self-learning

If a transmitter has already been memorised on the receiver the remote radio self-learning feature can be used (without having to use the receiver button P). Proceed as follows:

- 1 Press the hidden button on the memorised transmitter.
- 2 Press, within 5 secs., the button on the memorised transmitter corresponding to the channel to associate with the new transmitter.
- 3 Press, within 5 secs., the button on the new transmitter to associate with the channel selected at point 2 above.
- 4 The receiver will memorise the new transmitter and promptly exit programming.

Programming

Transmitters can be memorised and separate channel modes can be set using the button “P” (see Fig.1/2). To go from one programming mode to the next press the button P within 3 secs from one press and another. Once having selected a programming mode, wait for about 3-4 secs and a LED signal with indicate that programming has been entered (see “Operations” column).

Table 1 lists the various programming modes.

TABLE 1

Mode	LED	Function	Operations
0	Off	No function	Normal status.
Press the button P			
1	Red	Memorise channel 1	The red LED will light up, wait 3 secs, the LED will go out and light up again, press within 5 secs the button on the transmitter to associate with channel 1.*
Press within 3 secs the button P			
2	Green	Memorise channel 2	The green LED will light up, wait 3 secs, the LED will go out and light up again, press within 5 secs the button of the transmitter to associate with channel 2.*
Press within 3 secs the button P			
3	Orange	Memorise automatically channels 1 and 2	The orange LED will light up, wait 3 secs, the LED will go out and light up again, press within 5 secs any button on the transmitter. Button 1 will be associated with channel 1, button 2 with channel 2.*
Press within 3 secs the button P			
4	Red Blinking	Set channel 1 times	The LED will give 5 rapid blinks. If button P is pressed during these 5 blinks the next mode is entered. After the 5 rapid blinks the Times menu is entered. See section "Times Mode"
Press within 3 secs the button P			
5	Green Blinking	Set channel 2 times	The LED will give 5 rapid blinks. If button P is pressed during these 5 blinks the next mode is entered. After the 5 rapid blinks the Times menu is entered. See section "Times Mode"
Press within 3 secs the button P			
0	LED Off	No function	Normal status.

* After pressing the button on the first transmitter the receiver will wait 5 secs to memorise another transmitter.

In this way all the transmitters being associated with one channel can be recorded in sequence. After the 5 secs the receiver exits the programming mode. When using this method of recording in sequence it is best to temporarily remove the antenna thereby reducing the receiver's range and limiting disturbance.

N.B.: Once a programming mode has been entered, other modes cannot be accessed. When programming several

functions complete one programming sequence, indicated by the LED going out, and restart with a new programming mode.

Times Mode

This function is only necessary when one of the two channels has to be set to be timed (from 1 sec to 10 min) or with bistable operation. The pulse operating mode is set by default (1 sec switching). To set the times enter mode 4 (for channel 1) or mode 5 (for channel 2) and wait until the end of the 5 rapid blinks. The Times submenu is described in table 2.

TABLE 2

Mode	LED	Function	Operazioni
1	1 rapid blink	Set pulse mode	If the P button is not pressed within 5 secs the channel is reset to the default pulse mode (1 sec switching).
Press the button P for at least 2 secs			
2	2 rapid blinks	Select switching time	If the P button is not pressed within 5 secs the LED will start blinking at a rate of 1 blink/sec until the button P is pressed. The number of blinks counted before pressing the P button selects the switching time, as shown in table 3.
Press the button P for at least 2 secs			
3	3 rapid blinks	Set Bistable mode	If the P button is not pressed within 5 secs the channel is set to the bistable mode: the relay changes status on each pulse.
Press the button P for at least 2 secs			
4	Off	No function	Normal status.

TABLE 3

LED Blinks	Switching Time	LED Blinks	Switching Time	LED Blinks	Switching Time	LED Blinks	Switching Time
1	1s	9	9s	17	3,5m	25	5m
2	2s	10	10s	18	4m	26	6m
3	3s	11	30s	19	4,5m	27	7m
4	4s	12	60s	20	5m	28	8m
5	5s	13	1,5m	21	1m	29	9m
6	6s	14	2m	22	2m	30	10m
7	7s	15	2,5m	23	3m		
8	8s	16	3m	24	4m		

Resetting the memory

Cut off the power to the receiver. Press and keep pressed the button P. Restore the power keeping the button P pressed. The LED will light up red, after 5 secs it will blink rapidly alternating green-red, release the button. Wait for the LED to go out. The memory is now completely erased.

Technical Characteristics	ONE2 WB/WI
Frequency	433,92 MHz
Power supply	21÷28 Vac 12÷28 Vdc
Range	Without antenna 30m with antenna 100m
Channels	2
Relay contact	1A/24 Vdc
Working temperature	-20/+70°C
Consumption in standby	10 mA
Consum. ch. 1 or 2 actuated	42 mA
Consum.ch. 1 and 2 actuated	66 mA

BENINCA[®]

AUTOMATISMI BENINCA[®] SpA

Via Capitello, 45 - 36066 Sandrigo (VI) - Tel. 0444 751030 r.a. - Fax 0444 759728
