

THESE DRAWINGS REPRESENT VISUAL CONCEPTS AND CONSTRUCTION SUGGESTIONS AS THEY VISUALLY EFFECT THE FINAL PRODUCT. THE DESIGNER DOES NOT ASSUME LIABILITY FOR ENGINEERING, CONSTRUCTION OR USE. ALL MATERIALS AND COSTS ARE TO BE APPROVED BY THE DESIGNER, LINE PRODUCER, AND STAGING SUPERVISOR. ANY FURTHER DETAILED CONSTRUCTION DRAWINGS OUTLINING SPECIFIC MATERIALS AND CONSTRUCTION TECHNIQUES ARE PROVIDED BY THE FABRICATOR. NO SUBSTITUTIONS ON MATERIALS AND EQUIPMENT OR DEVIATION FROM THE LOOK WITHOUT EXPRESSED PERMISSION OF THE DESIGNER.

**FOR BID  
PURPOSES  
ONLY**

NOTES:

NOTES

DATE:

02/26/2016

DESIGNER:

Kate Roberts

DRAWN:

RSWEETNAM

EVENT TITLE:

CC UpFront

SHEET TITLE:

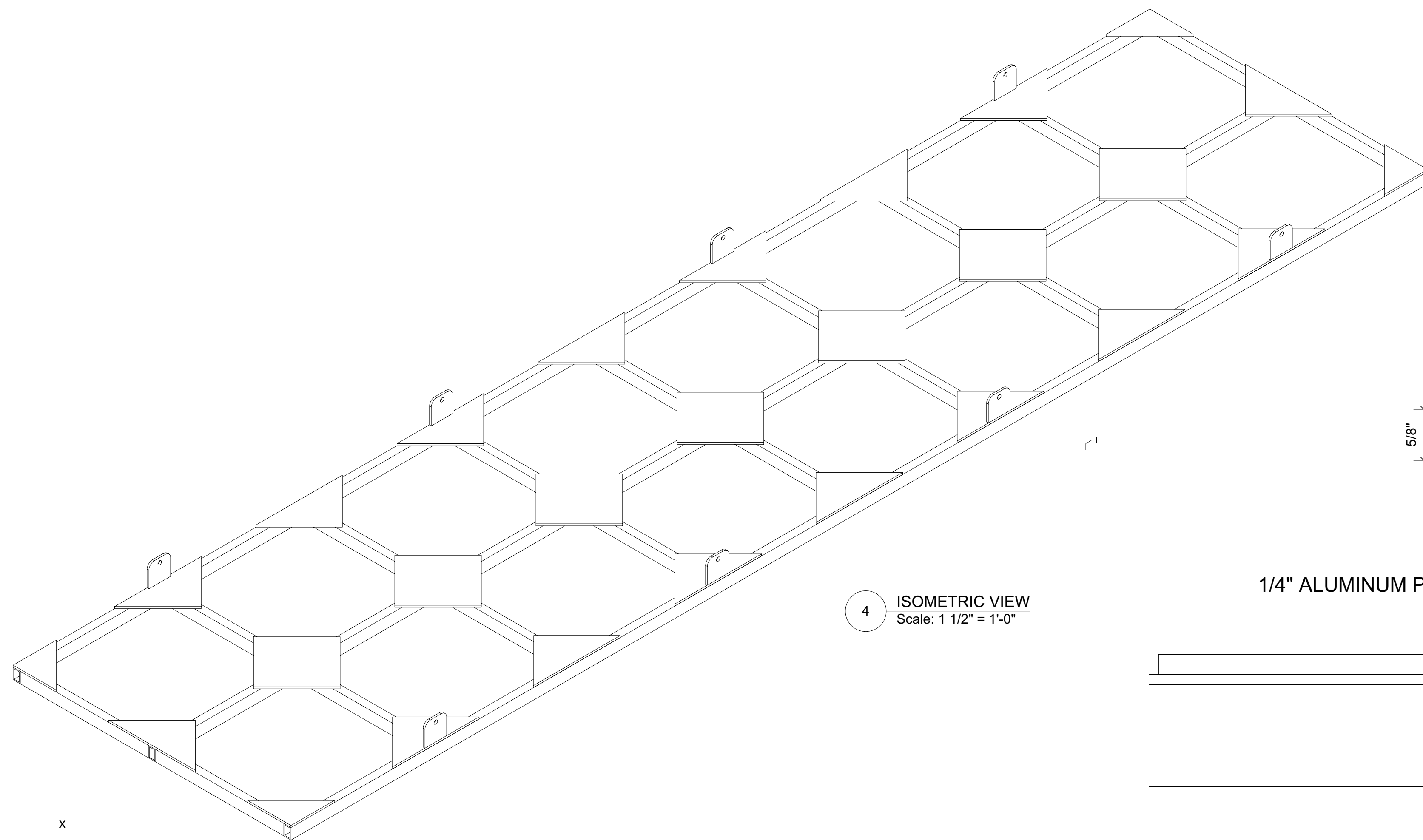
CANOPY FRAME

SCALE:

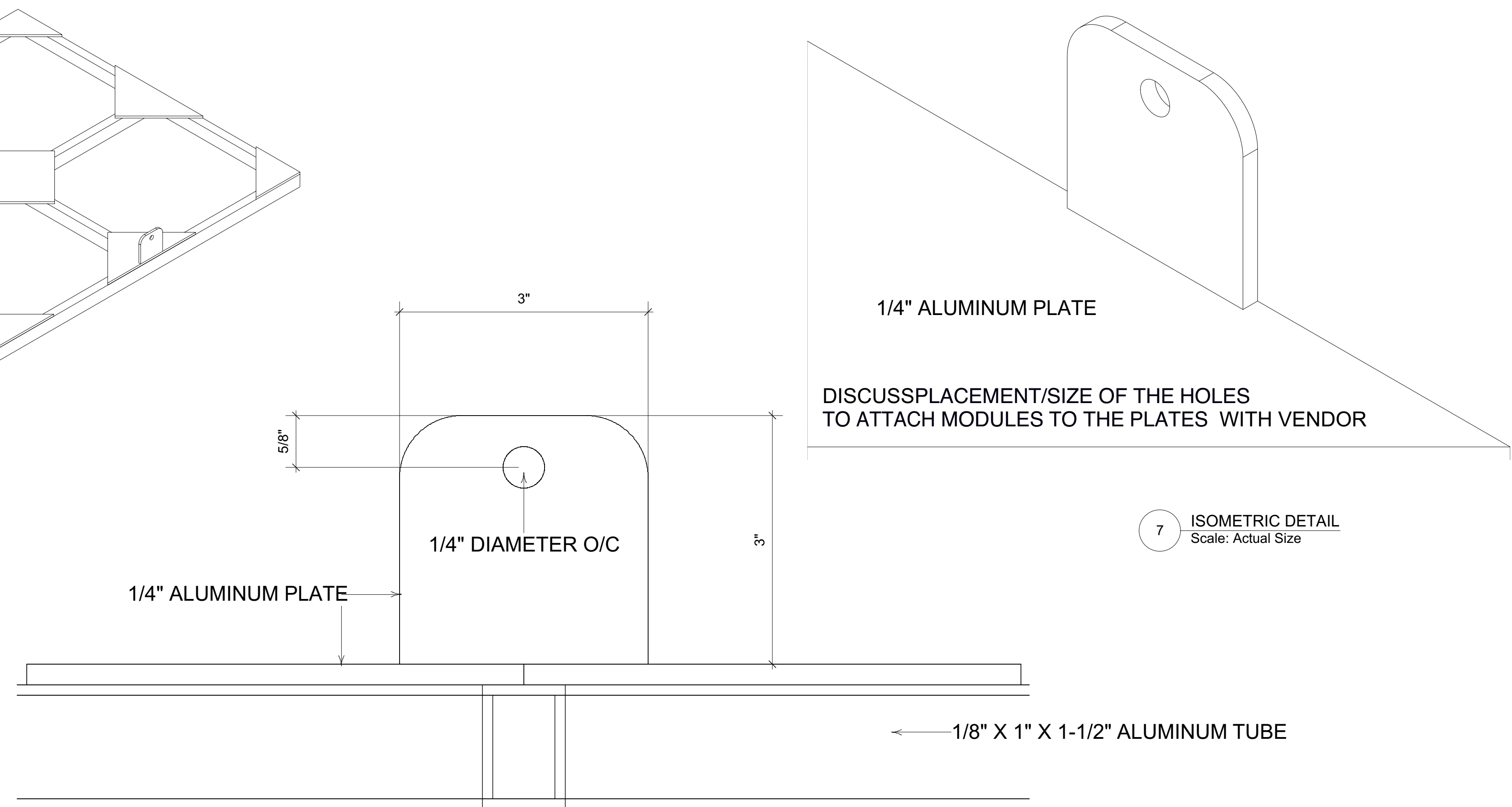
1/2" = 1'-0"

SHEET NUMBER:

**6.2**

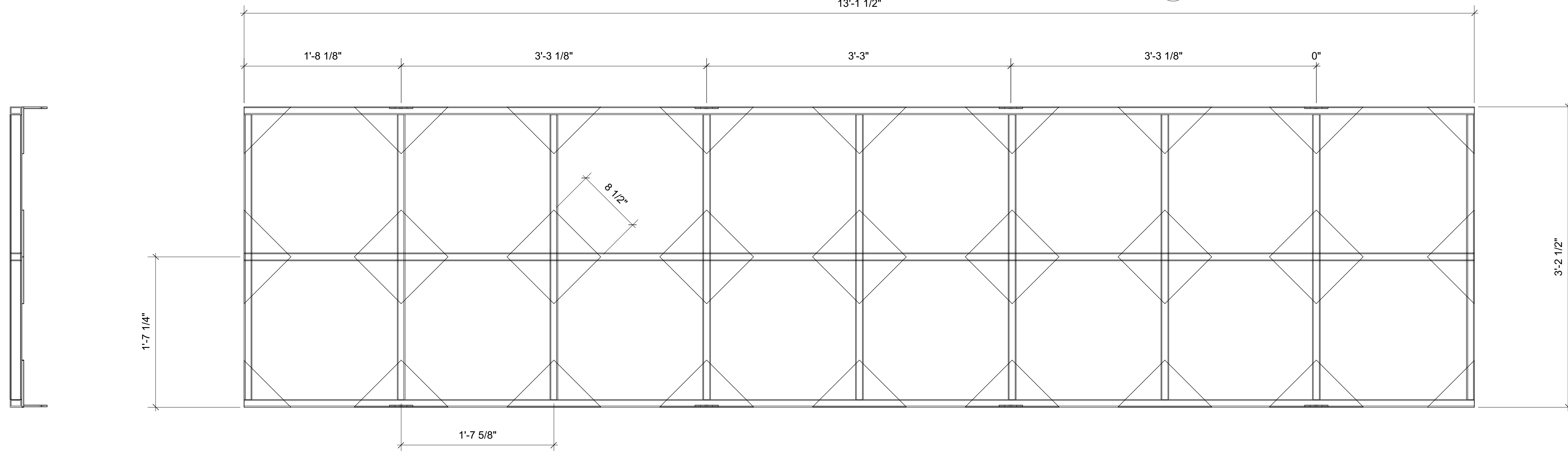


4 ISOMETRIC VIEW  
Scale: 1 1/2" = 1'-0"



7 ISOMETRIC DETAIL  
Scale: Actual Size

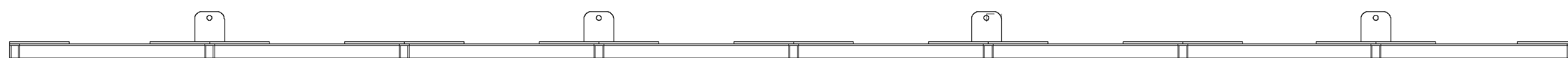
5 DETAIL VIEW  
Scale: Actual Size



3 FRONT VIEW  
Scale: 1 1/2" = 1'-0"

1 PLAN VIEW  
Scale: 1 1/2" = 1'-0"

BUILD 11 SECTIONS  
1 1/5" X 1" ALUMINUM SQUARE TUBE (1/8" WALL)  
PLATES AND PICK POINTS ARE 1/4" ALUMINUM PLATE  
FRAMING FOR DLPO5.9 MODULES  
DISCUSS WITH VENDOR PLACEMENT/SIZE OF THE HOLES TO ATTACH MODULES TO THE PLATES  
HOLES TO ATTACH MODULES TO THE PLATES SHOULD ALLOW "ROOM" FOR MODULES ADJUSTMENT



2 SIDE VIEW  
Scale: 1 1/2" = 1'-0"