

Semi-Flush Taxiway Edge Light

Compliances:

- ICAO: Annex 14
- FAA: L-852T - AC150/ 5345-46 (Current Edition)
- IEC: TS 61827
- NATO: STANAG 3316

Applications:

- The TWOF is a low intensity, omnidirectional, semi-flush light used for taxiway edge.
- These fixtures are manufactured to be powered by series circuits.
- Location of these fittings shall be in compliance with ICAO Specs - Annex 14, FAA or STANAG 3316.

Performances and benefits:

- 6mm protrusion: FAA Style 3 and IEC Style 4 to prevent the fixture is damaged by the transit of aircrafts/vehicles and to make the snow removal operation easy.
- Dome temperature widely less than 160° C when the light is working at the highest performances.
- 1500 hours lamp life at 6.6A or far over 3000 hours in field operating conditions.
- Significant energy savings and stable chromaticity thanks to the use of dichroic filters.
- Designed and manufactured with simplicity and easy to maintain.

Features:

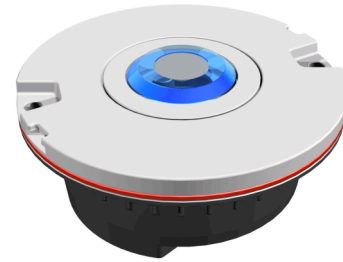
- Aluminium treated drop-forged dome and cast aluminium lower cover.
- Omnidirectional, 12" dia.
- The lens is mechanically clamped to the dome by means of a mounting ring; a customized lens gasket avoids the use of sealing. Replacement is quick and easy.
- No water builds up in front of the lens.
- No optical adjustment is required after the replacement of the lamp, filter or lens.
- An O-ring placed outside around the dome avoids dirt deposits between light unit and mounting assembly.
- The removal of the fixture is easy thanks to the two seats provided on the dome.

Luminous Source:

- One 48W 6,6A tungsten-halogen lamp complete with dichroic reflector and cable with male faston terminal.

Power Supply:

- From 30/45W up to 300W series transformer.



Manual:

- Instruction manual [UT-MT-0457](#)

How To Order:

TWOF 127 - F - B - 045 - O - F

Basic P/N:

Bolt Circle Diameter Code:

127 = Suitable for 12" L-867B Deep Base

128 = Suitable for 12" Shallow Base and 12" L-868B Deep Base

Compliance:

F = FAA

I = ICAO

S = STANAG

Colour:

B = Blue

Y = Yellow

Lamp:

045 = 1x48W 6,6A Reflectorized

Mounting Assembly:

B = L-868 Base or L-867 Base

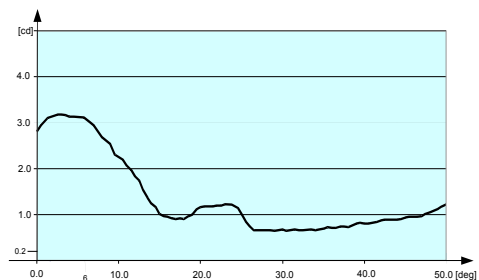
O = No Mounting Assembly

Options:

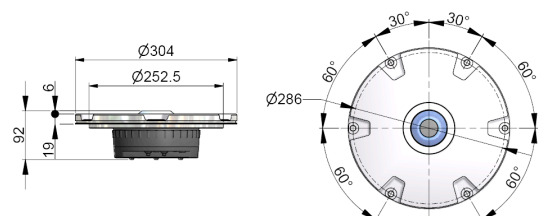
F = Fuse Cutout

E = Electronic Cutout Relay

Ⓢ FAA Approved, ETL certified.



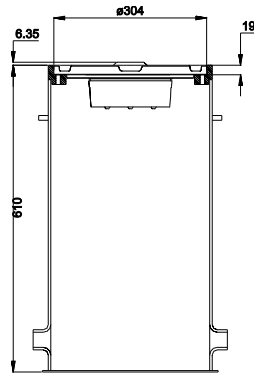
Photometric distribution



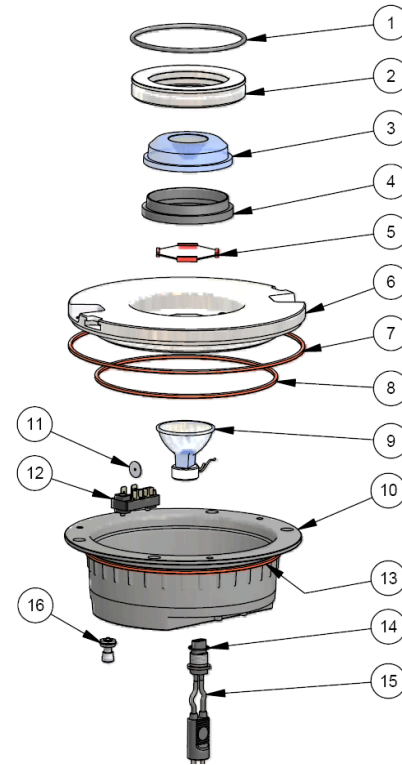
TWOF 12" dia. - Dimensions

Base:

- The light unit can be directly mounted on a deep base, L-868 or L-867 type, size B.



TWOF - Typical installation



Accessories:

[P/N]	Description
315.1228	Base L-867, Class IA, Size B, 24" Deep
315.1230	Base L-868, Class IA, Size B, 24" Deep*
315.1420	Flange ring with pavement dam for L-868 base, Size B, with O-Ring and bolts
332.4140	Lifting tool (2 pieces to work properly)

* Sectional bases may be required depending upon the paving technique

For any information about isolating transformers and connectors, please see the specific catalogue pages

Renewal Parts for light unit:

[N°]	Description	[P/N]
1	O-Ring for lens holder	758.2041
2	Aluminium lens holder	
3	Omnidirectional Lens	317.4231
4	Lens gasket	325.0327
5	Dichroic BLUE filter	318.8278
5	Dichroic YELLOW filter	318.8268
6(*)	8" aluminium treated drop-forged dome, complete with lens and gaskets	152.5480
6(*)	12" aluminium treated drop-forged dome, for L-867 base, complete with lens and gaskets	152.5481
6(*)	12" aluminium treated drop-forged dome, for L-868 base, complete with lens and gaskets	152.5482
7	O-Ring for dome	758.2014
8	O-Ring for lower cover	758.2120
9	48W 6.6A Halogen Lamp	760.2186
10	Lower cover with 1 entry, complete with plug and valve	152.5300
11	Fuse Cutout	000.1466
12	Insulated Strip with Hardware	329.3025
13	O-Ring for base (for light unit 8" dia.)	758.2008
14	O-Ring for terminal bush	758.2035
15	FAA L-823 plug	329.0050
16	Valve for watertightness test	786.7045

(*) Take as reference the manual UT-MT-0457 for the complete list of the available spare parts.

TWOF 12" dia. Shipping Weights and Volumes	
	Light Unit
Weight (Kg)	6.5
Volume (cu.m)	0.022



7857-12 Drew Circle
 Fort Myers, Florida 33967
 Tel: 866-273-5906 Fax: 866-345-5906
 Intl 239-432-0200 Fax: 239-432-0219

Manufactured by **Multi**
 ELECTRIC